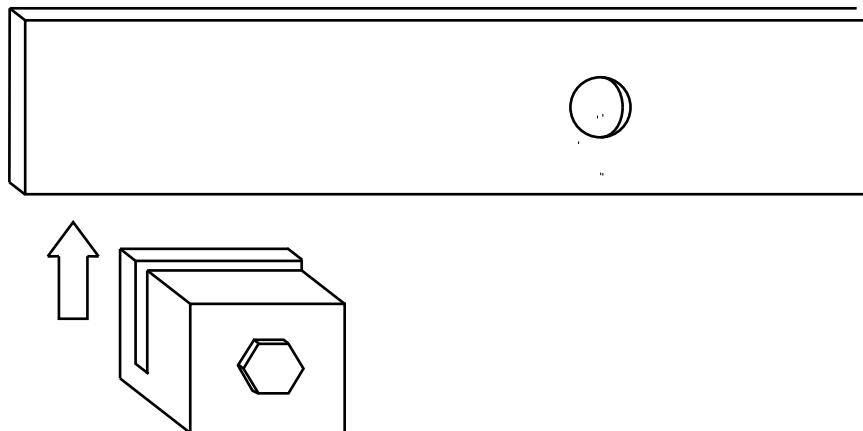




## INSTALLATION GUIDE / ADJUSTABLE STOPS

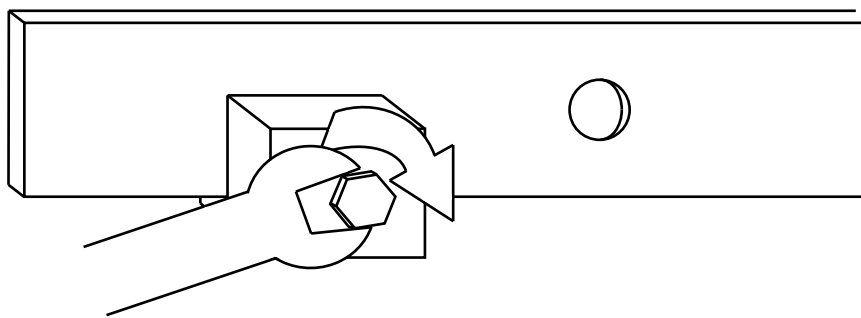
### 1) PLACE STOP AT DESIRED LOCATION ON THE TRACK.

**\*Note:** Stops must go on the bottom of the track. They will hit the hanger wheel if they are installed on the top.



### 2) USE A WRENCH TO TIGHTEN BOLT.

**\*Note:** Be sure to tighten bolt as much as possible so the stop does not move when the door hits the stop. You may need to tighten bolt over time.



NEED HELP? CALL 801.698.2641 OR EMAIL US AT [INFO@ARTISANHARDWARE.COM](mailto:INFO@ARTISANHARDWARE.COM)