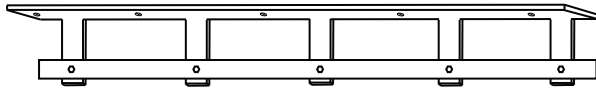




INSTALLATION GUIDE / CEILING MOUNT



RECOMMENDED TOOLS

- TAPE MEASURE
- PENCIL
- DRILL WITH 1/8", 3/8" AND PHILLIPS BITS
- LEVEL
- STUD FINDER
- SAFETY GLASSES

PACKAGED ITEMS



*NOTE: QUANTITY WILL VARY BASED OF SIZE OF TRACK

ATTACH TRACK SYSTEM TO CEILING

1. Using a stud finder, locate your ceiling joists and mark for drilling.
2. Transfer drill markings from ceiling to mounting plate.
3. Once mounting plate is marked, Use a 1/8" drill bit to pre-drill holes through mounting plate.
4. Use a drill and wood screws to attach Ceiling Mount system to the ceiling.

(SEE FIGURE 1)

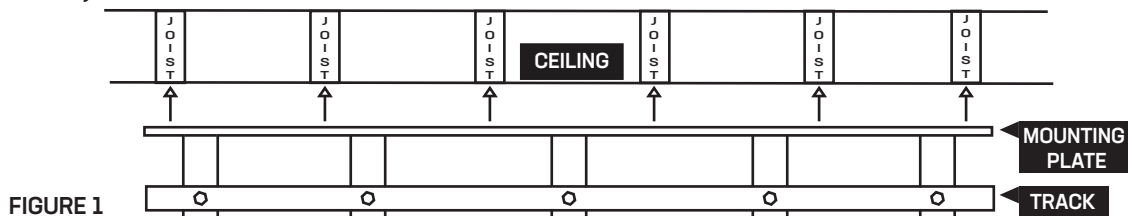


FIGURE 1

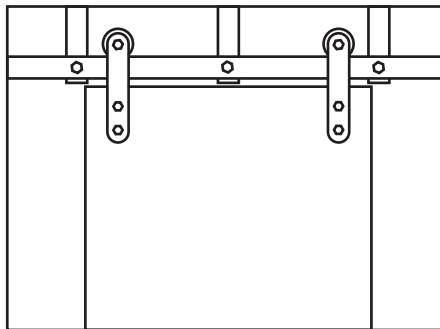


FIGURE 2

ATTACH HANGERS TO DOOR

1. Place the hangers on the front of the door, in from the sides (we recommend 2" in from each side or centered with the stiles) and measure from the doortop to the bottom of wheels 2 1/4" for 2" tracks or 1 3/4" for 1 1/2" tracks.
2. Square hangers and mark the holes.
- *NOTE: PRIOR TO DRILLING MAKE SURE THERE IS A 1/2" GAP BETWEEN THE TOP OF THE DOOR AND THE BOTTOM OF THE TRACK.
3. Set hangers aside and drill 3/8" holes through the door at the marked points.
4. Insert 2 1/4" hex bolts through the hangers and door and tighten with washers and nuts.

(SEE FIGURE 2)

ATTACH STOPS & GUARDS

1. If needed, or to stop the door at another desired location, drill 3/8" holes into the track for door stops (we recommend 3/4" in from the ends of the track).
2. Place hex bolts through through door stops and track, with flags facing inward. Use washers and nuts to tighten. Apply rubber pads to inner face of stops.
3. Hang door onto track and screw in anti-jump guards to the top of the door.

(SEE FIGURE 3)

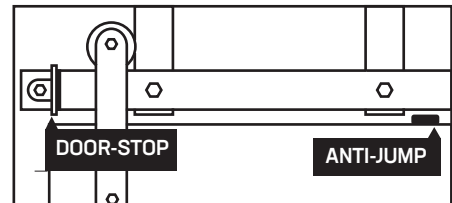


FIGURE 3

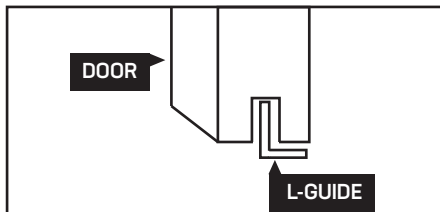


FIGURE 4

ATTACH DOOR-GUIDE

*These instructions are for L-Bottom door-guides. See our website for other styles.

1. Place the door-guide on the floor central to the door range of motion in the 1/2" groove along the bottom of the door.
2. Level the door swing and securely screw the door-guide(s) into the floor.

(SEE FIGURE 4)

NEED HELP? CALL 801.698.2641 OR EMAIL US AT INFO@ARTISANHARDWARE.COM

Warning! Choking Hazards. Packaging and hardware includes small parts that can cause choking or suffocation. Keep away from children. Failure to install this product correctly or improper use of tools could result in loss of control, serious injury, or death. Ensure you have complete control of tools at all times. Artisan Hardware is not responsible for any damages or harm caused by improper installation of products. Report damages or material shortages within 48 hours from delivery. Review all terms and conditions before installing products. Results can differ based on environmental circumstances. Use professional contractors who are trained to install this product. Use proper safety gear and follow industry regulations to get the best quality, security, and satisfaction. All hardware must have proper clearance and be securely attached into studs, solid blocking, head casing, full header, or other structural material that is built to bear weight requirements. Always follow industry safety standards and best practices. Every product is custom due to variations in doorway openings and structural factors.