

INSTALLATION INSTRUCTIONS



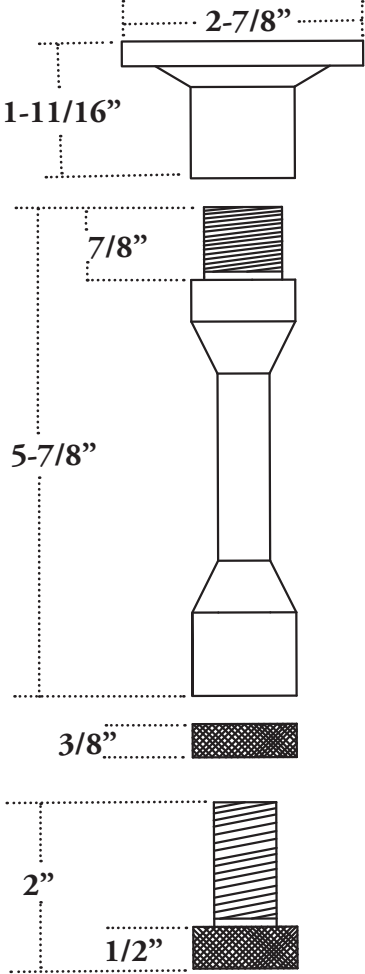
Ceiling Mount Track System



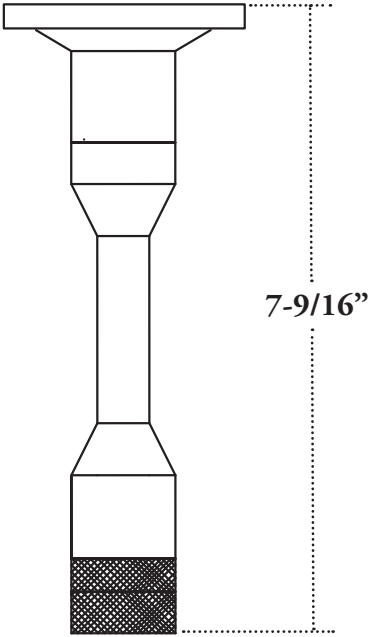
Specifications

INSTALLATION INSTRUCTIONS

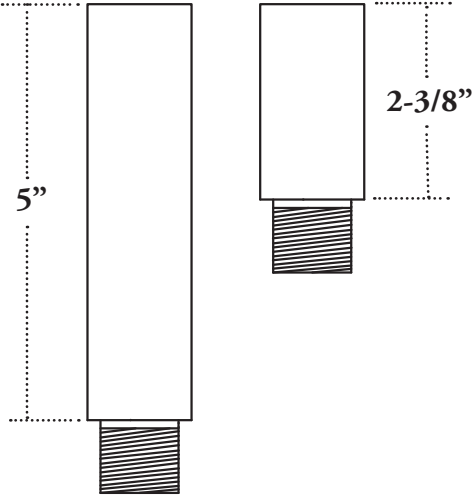
Ceiling Post: Unassembled



Assembled



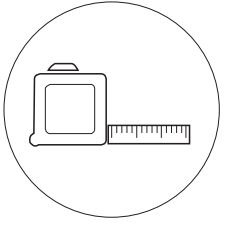
Extension Tubes



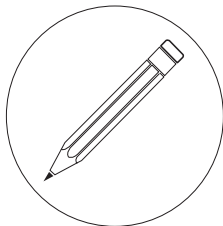
Parts and Tools

INSTALLATION INSTRUCTIONS

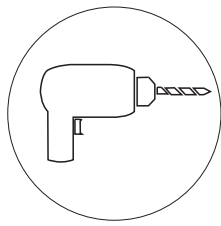
Tools Needed



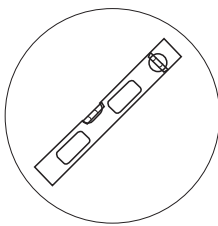
Tape Measure



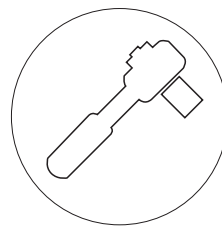
Pencil



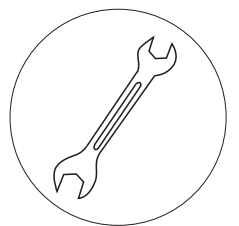
Drill with 1/8", 1/4" and 3/8" bits, and Phillips bit



Short Level

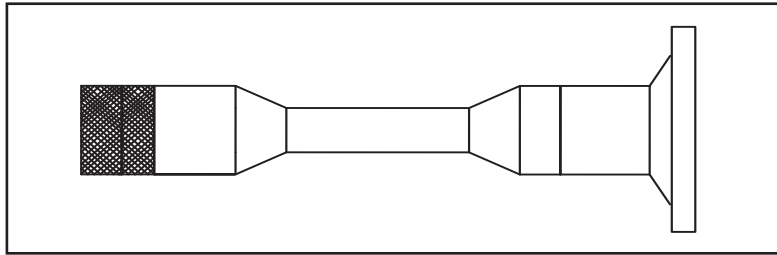


Ratchet with 9/16" and 5/8" sockets

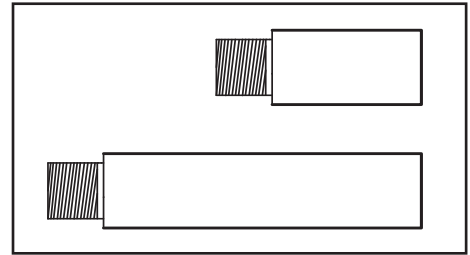


9/16" and 5/8" open end and ratcheting wrench

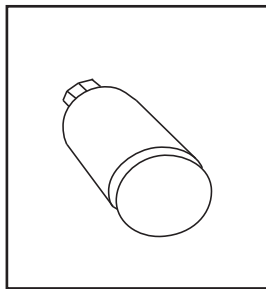
Parts Included



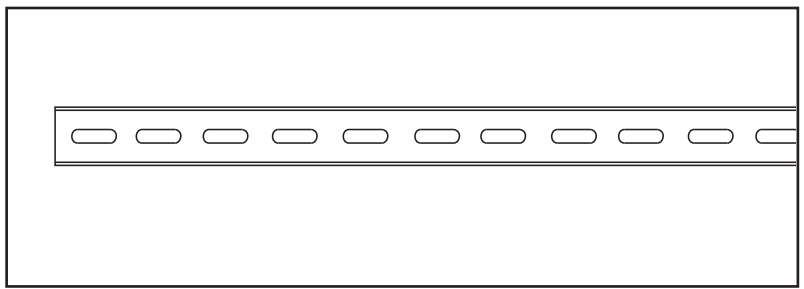
Ceiling Posts



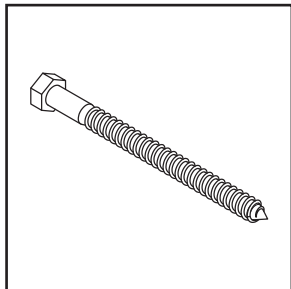
Extension Tubes



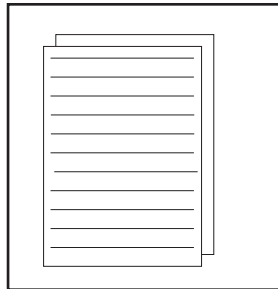
Round Stops



Track - Length as Ordered



Lag Screws



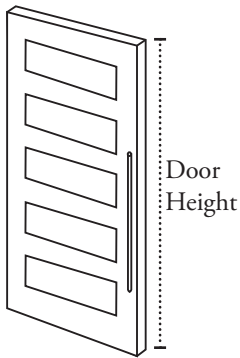
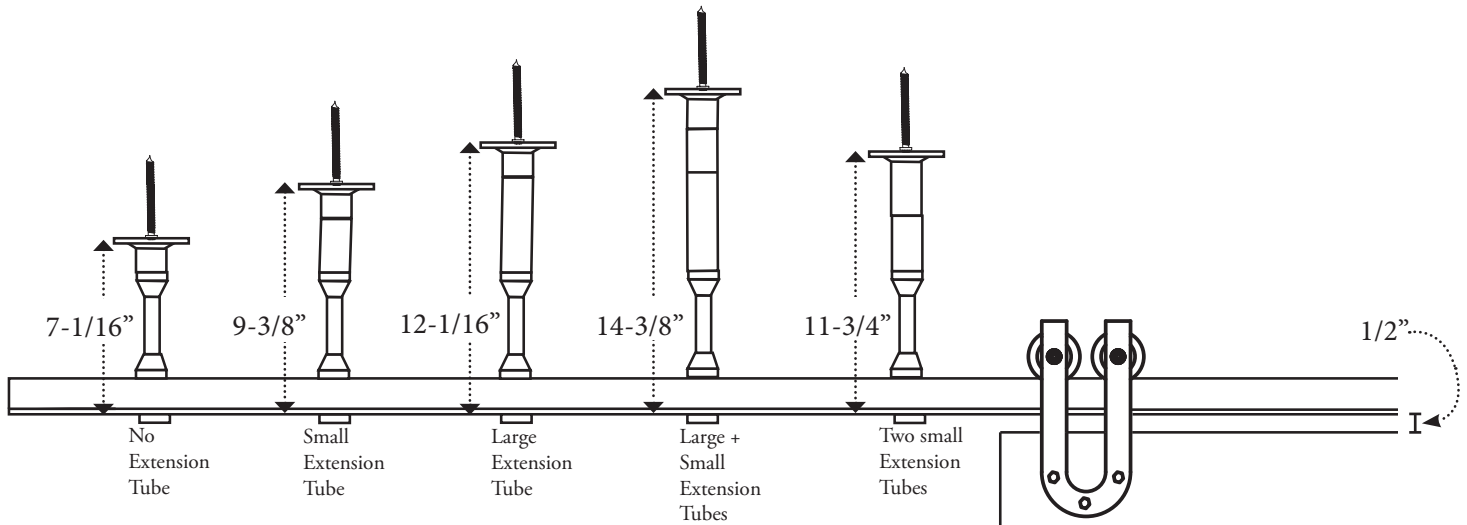
Instructions

PLEASE NOTE: These instructions are specific to a particular track size and type. Adjustments may be needed on your part for changes in specifications and measurements, as well as track types that are different than these.



Measuring for Your Door

INSTALLATION INSTRUCTIONS



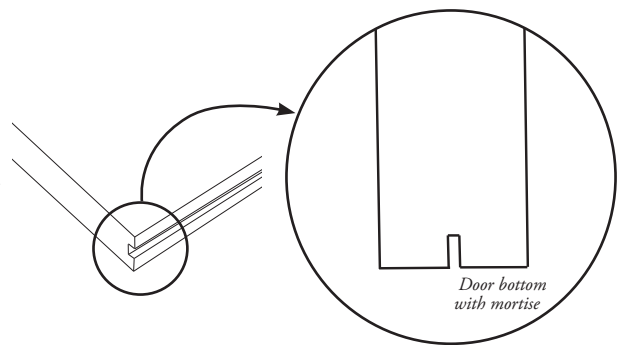
$$\text{Door Height} = \text{Ceiling Height} - \text{Post Height} - 1" (1/2" + 1/2")$$

= _____

Ceiling Mount Hangers
Top of Door to bottom of Wheel = 1-1/2"

1/2" between top of Door and bottom of Track
1/2" between bottom of Door and finished floor

NOTE: If you are installing a Floor Mount Door Guide, your door will have a mortise (a groove that runs along the bottom of your door). Make sure this mortise is facing down towards your floor and that you install the Door Hangers on the other end.

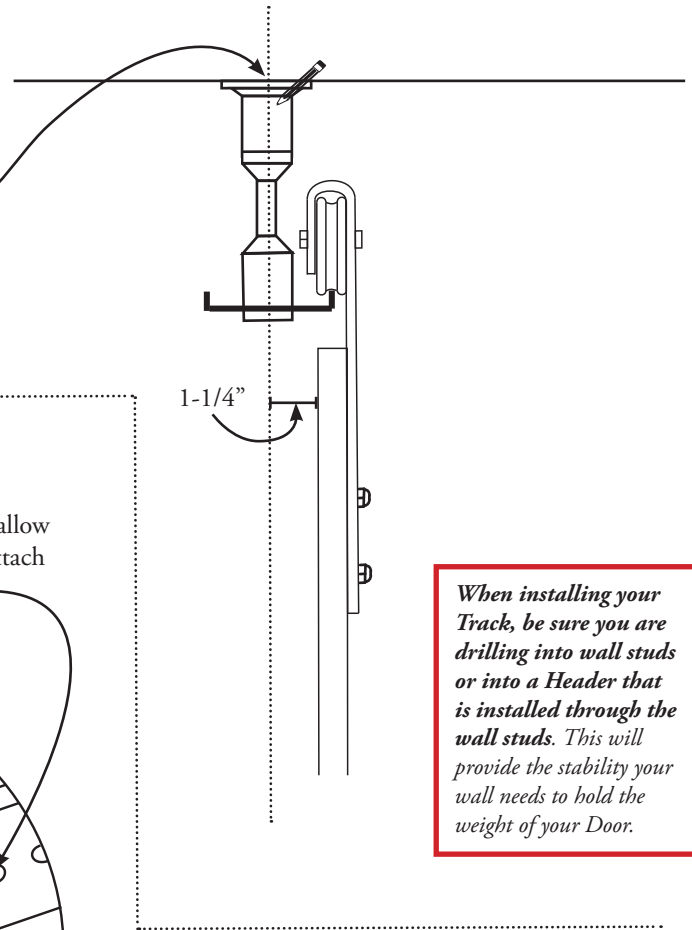
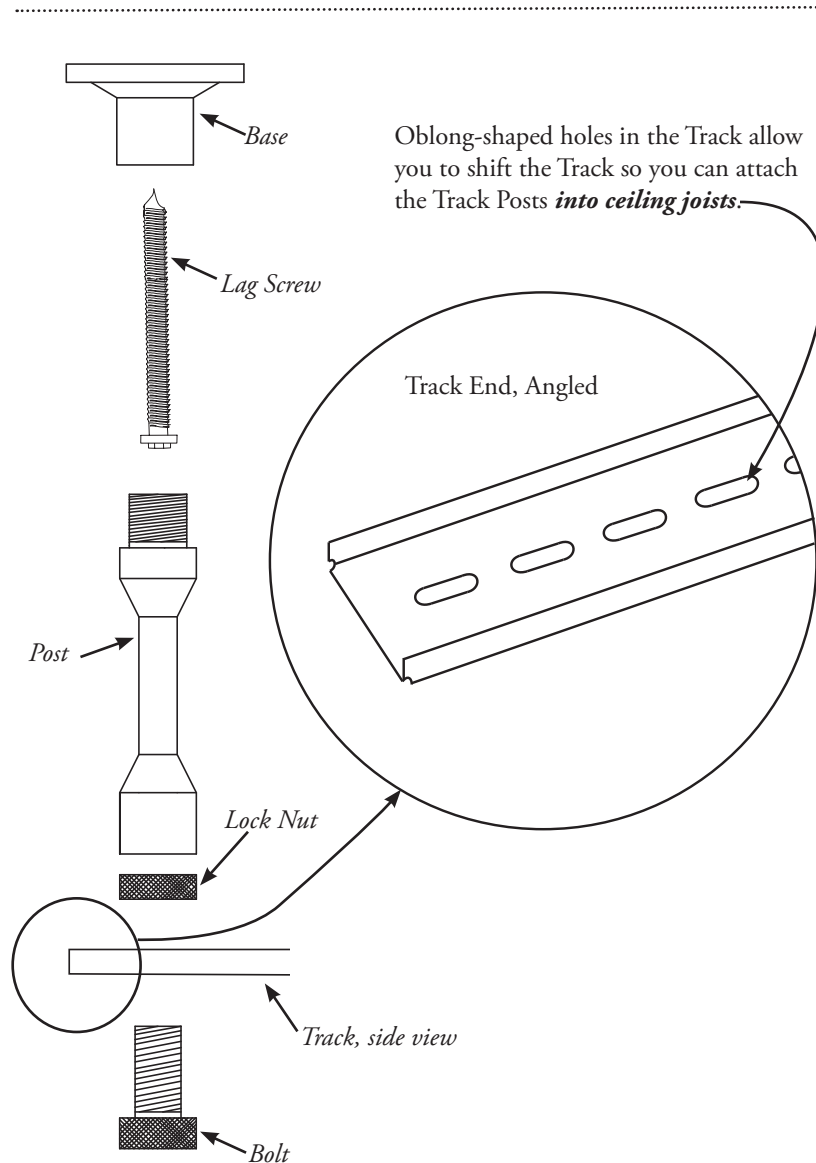


Determining Track Location

INSTALLATION INSTRUCTIONS

1. Determining Track Post Mounting Location

- Find the desired location of your Door.
- Measure back 1-1/4" from the back of the Door. This is where you will pencil a line for centering the posts to install your Track and hang your door.



2. Marking Joists

- Using a stud finder or magnet, mark all joists along your penciled line. ***If your system does not align with your joists, you have three options:***
 1. Move your system to align with joists,
 2. Install a wide header mounted into the joists (this would shorten the length of your attaching rod or of your Door slightly), or
 3. Install blocking above your ceiling.

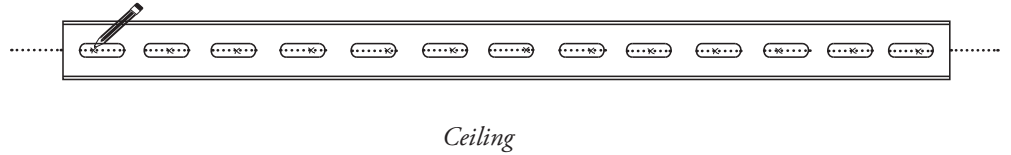


Post and Track Installation

INSTALLATION INSTRUCTIONS

3. Drilling Pilot Holes

- Lay your Track along the line you have made on your ceiling, centering the Track holes over the line and over joist markings.
- Using a 1/4" drill bit, drill pilot holes where your markings are (into ceiling joists).

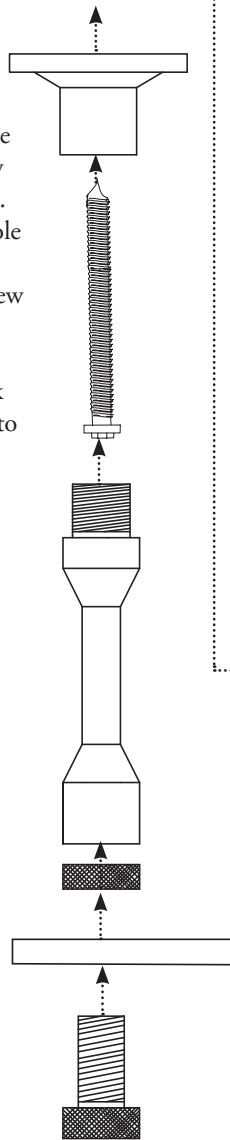


4. Installing Posts

- Using a ratchet with a 9/16" socket, insert the Lag Screw through the base and into your pre-drilled hole. Screw the post into the base until it is tight. Place the Bolt through the slotted hole in the Track and screw on the Lock Nut loosely. Repeat for all posts. Screw the Bolts into the Posts.
- Using a level, make sure the Track is level. Adjust the bolts until the Track is level. Now tighten the Lock Nuts to hold the Track in place.

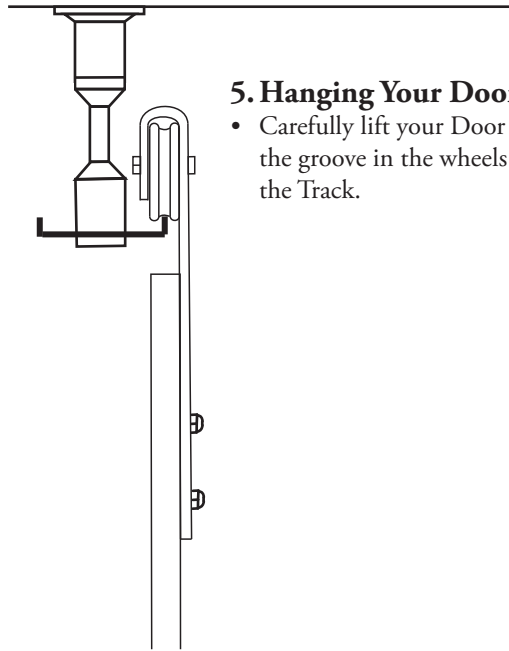


When installing your Track, be sure you are drilling into wall studs or into a Header that is installed through the wall studs. This will provide the stability your wall needs to hold the weight of your Door.



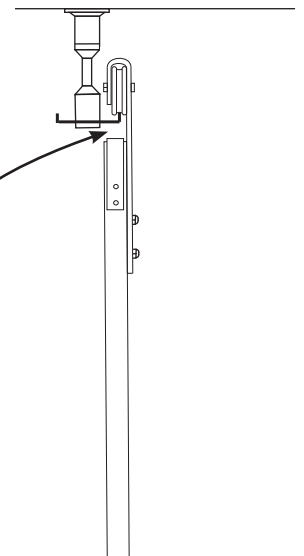
5. Hanging Your Door

- Carefully lift your Door and let the groove in the wheels rest on the Track.



6. Attaching Anti-jump Bracket

- Place your Anti-jump Bracket against the outside edge of your Door.
- Slide the Bracket up until there is a 1/16" to 1/8" space between the top of the Anti-jump Bracket and the bottom of the Track.
- Holding the Anti-jump Bracket firmly in place, drill Grabber Screws into each of the two holes in the Bracket until screw heads are flush with your Bracket. Installing this Bracket will ensure your Door will not come off its Track.

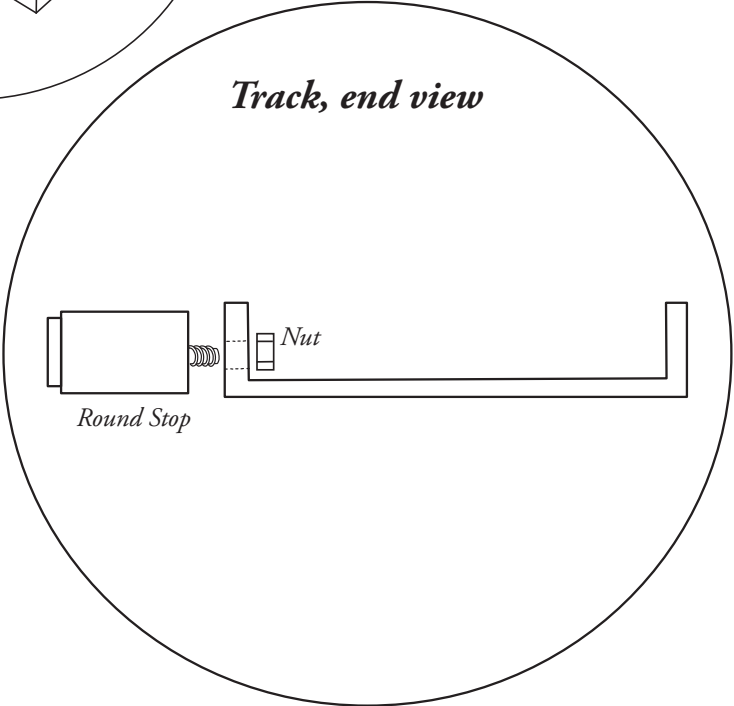
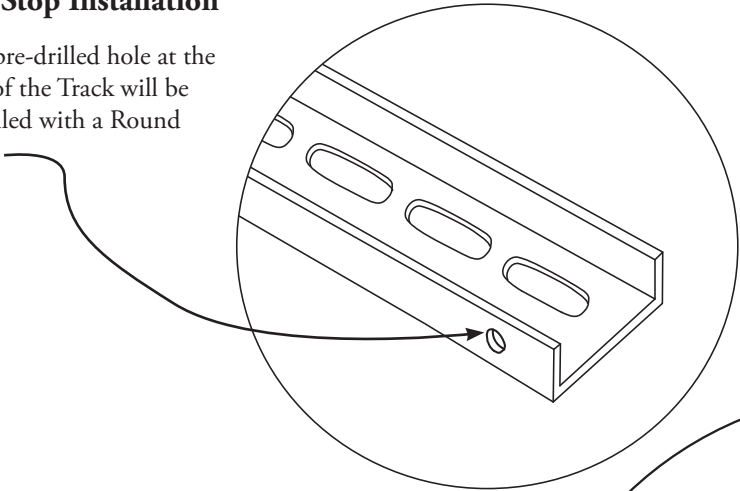


Door Stop Installation

INSTALLATION INSTRUCTIONS

7. Door Stop Installation

- The pre-drilled hole at the end of the Track will be installed with a Round Stop.



NOTE: If you are installing a Floor Mount Door Guide, your door will have a mortise (a groove that runs along the bottom of your door). Make sure this mortise is facing down towards your floor and that you install the Door Hangers on the other end.

