

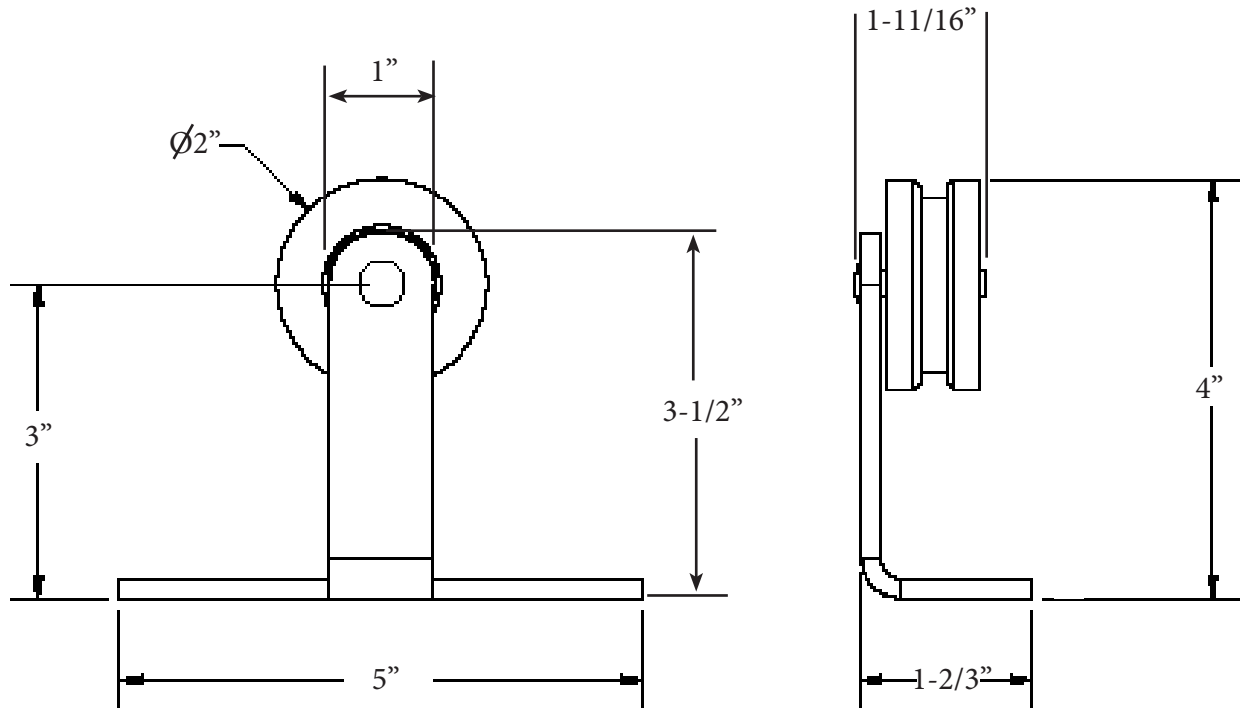
INSTALLATION INSTRUCTIONS



MINI TOP MOUNT MODERN HANGER



INSTALLATION INSTRUCTIONS

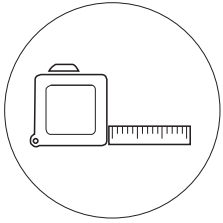


MINI TOP MOUNT MODERN HANGER

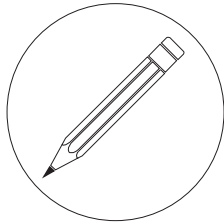


INSTALLATION INSTRUCTIONS

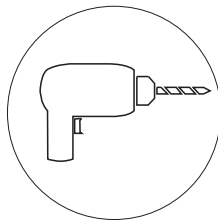
Tools Needed



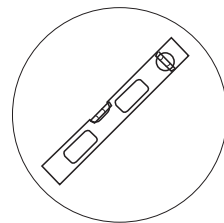
Tape Measure



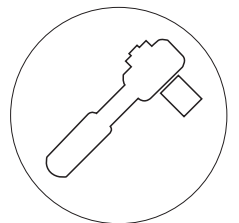
Pencil



Drill with 1/8" and 1/4" bits, and a Phillips drill bit

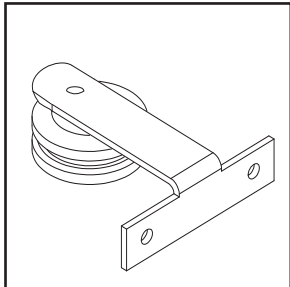


Short Level

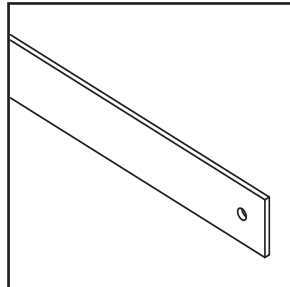


Ratchet with 9/16" socket

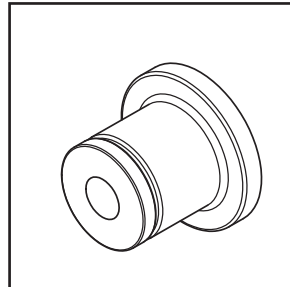
Parts Included



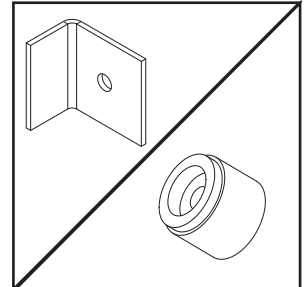
Hanger Assembly



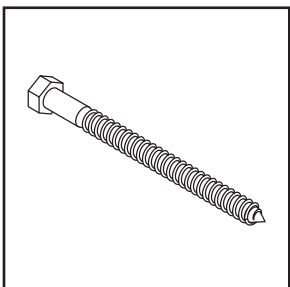
Track



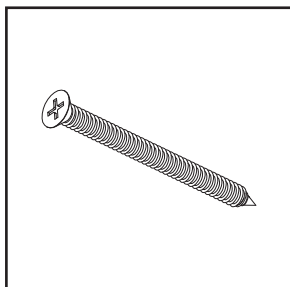
Adjustable Spacers



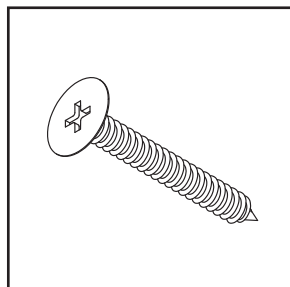
Hard Stops or Lag Soft Stops



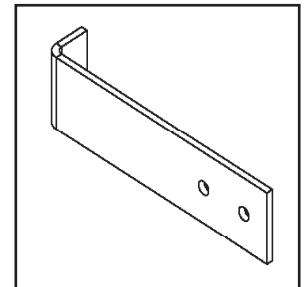
Lag Screws



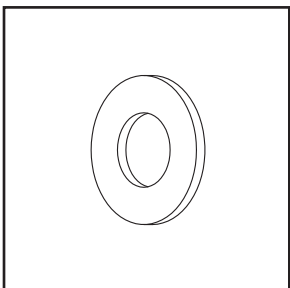
Fastener Screws



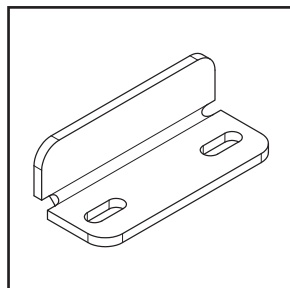
Grabber Screws



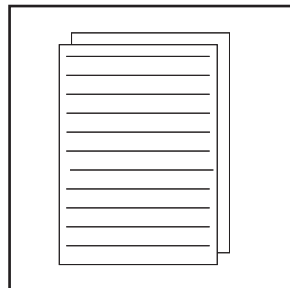
Anti-jump Brackets



1" Washers



Door Guide



Instructions

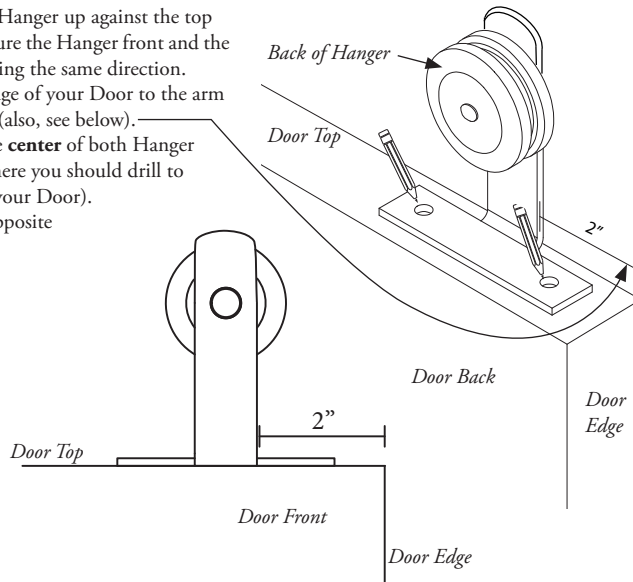
PLEASE NOTE: These instructions are specific to a particular hanger size and type. Adjustments may be needed on your part for changes in specifications and measurements, as well as hanger types that are different than these.



INSTALLATION INSTRUCTIONS

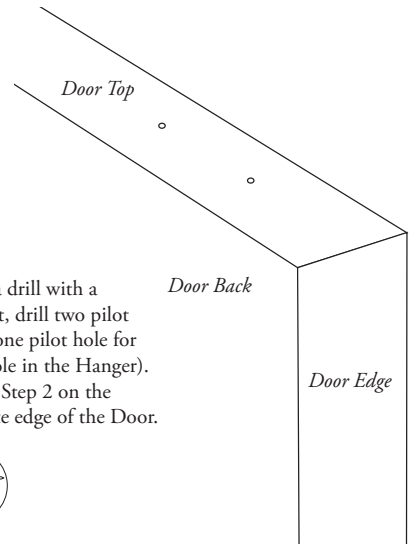
1. Measuring And Marking Your Hanger Holes

- Place your Top Mount Hanger up against the top of your Door, making sure the Hanger front and the Door front are both facing the same direction. Measure 2" from the edge of your Door to the arm portion of the Hanger. (also, see below).
- With a pencil, mark the **center** of both Hanger holes (these indicate where you should drill to attach your Hanger to your Door).
- Repeat Step 1 on the opposite edge of the Door.



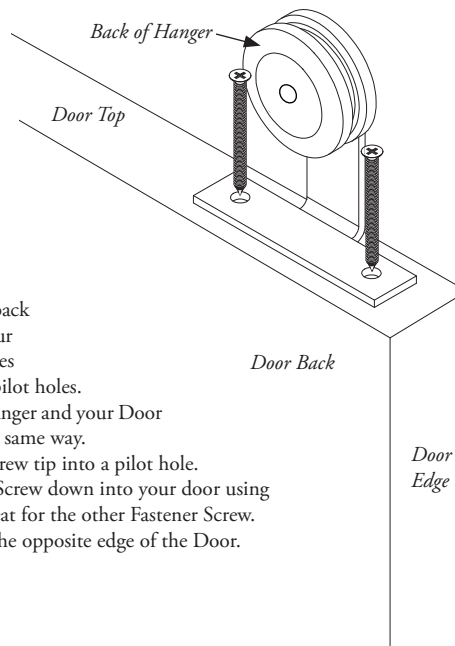
2. Drilling Pilot Holes

- Using a drill with a 1/8" bit, drill two pilot holes (one pilot hole for each hole in the Hanger).
- Repeat Step 2 on the opposite edge of the Door.



3. Installing Your Hanger Assembly To Your Door

- Place the Hanger back onto the top of your Door, with the holes centered over the pilot holes. Make sure your Hanger and your Door are both facing the same way.
- Place a Fastener Screw tip into a pilot hole. Drill the Fastener Screw down into your door using a Phillips bit. Repeat for the other Fastener Screw.
- Repeat Step 3 on the opposite edge of the Door.

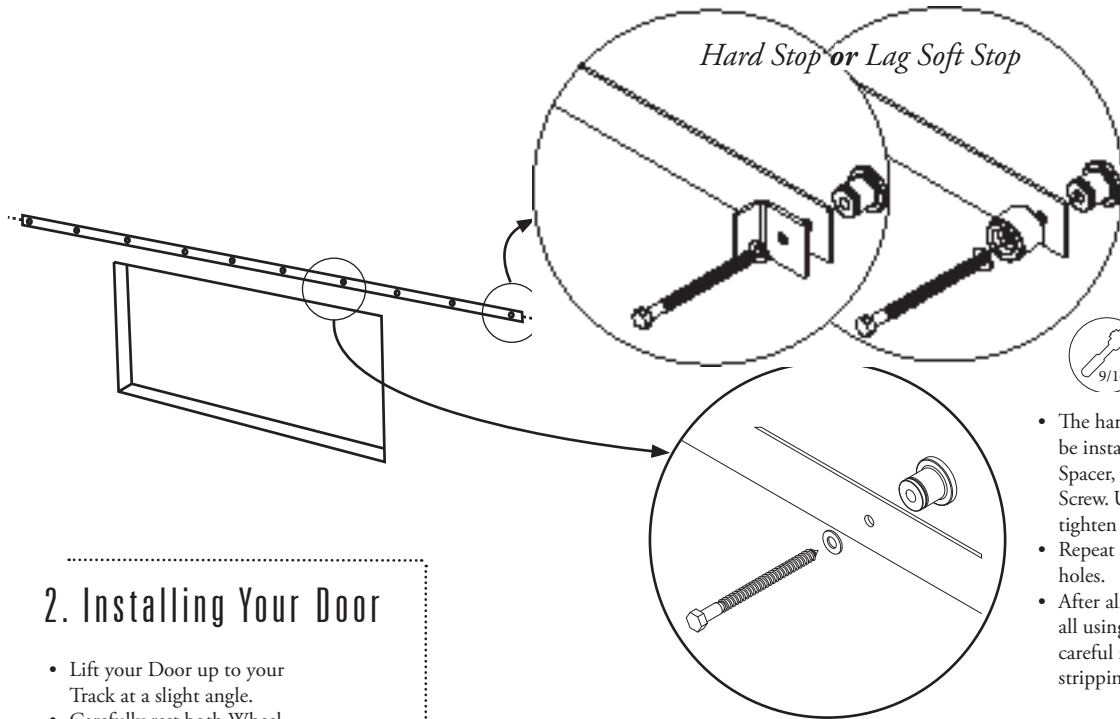


INSTALLATION INSTRUCTIONS

Measuring for Track Position

IMPORTANT!

If you are installing our Flat Track System, proceed. If you are installing either a Tube, Box, Bypass, J Track, or Ceiling Mount Track System, go to www.rusticahardware.com and download Installation Instructions specific to your Track System.



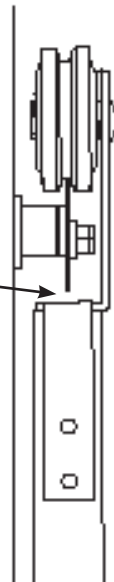
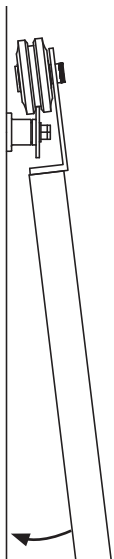
- The **outside** holes will be installed with either a Hard Stop *or* a Lag Soft Stop.
- In this order: Adjustable Spacer, Flat Track, [Hard *or* Lag Soft] Stop, 1" Washer, and Lag Screw.
- Attach one end of your Track. Using a ratchet with a 9/16" socket, tighten the Lag Screw most of the way, enough to hold the Track in place, but allowing the Track to move.
- Swing the Track up to be horizontal, and repeat the same step on the opposite end of the Track.
- The hardware for the **middle** holes will be installed in this order: Adjustable Spacer, Flat Track, 1" Washer, and Lag Screw. Using a ratchet with a 9/16" socket, tighten the Lag Screw most of the way.
- Repeat on all remaining middle Track holes.
- After all Lag Screws are in, fully tighten all using your ratchet with socket, being careful not to over-tighten to avoid stripping the wall studs or header.

2. Installing Your Door

- Lift your Door up to your Track at a slight angle.
- Carefully rest both Wheel grooves onto the top of the track.
- Guide the Door to the resting position.

3. Aligning Anti-jump Bracket

- With your Door still hanging on the Track, place your Anti-jump Bracket against the outside edge of your Door.
- Slide the Bracket up until there is a 1/16" to 1/8" space between the top of the Anti-jump Bracket and the bottom of the Track.



4. Installing Anti-jump Bracket

- Holding the Anti-jump Bracket firmly in place, drill Grabber Screws into each of the two holes in the Bracket until screw heads are flush with your Bracket. Installing this Bracket will ensure your Door will not come off its Track.
- Repeat Steps 3 and 4 on the opposite edge of the Door.

