

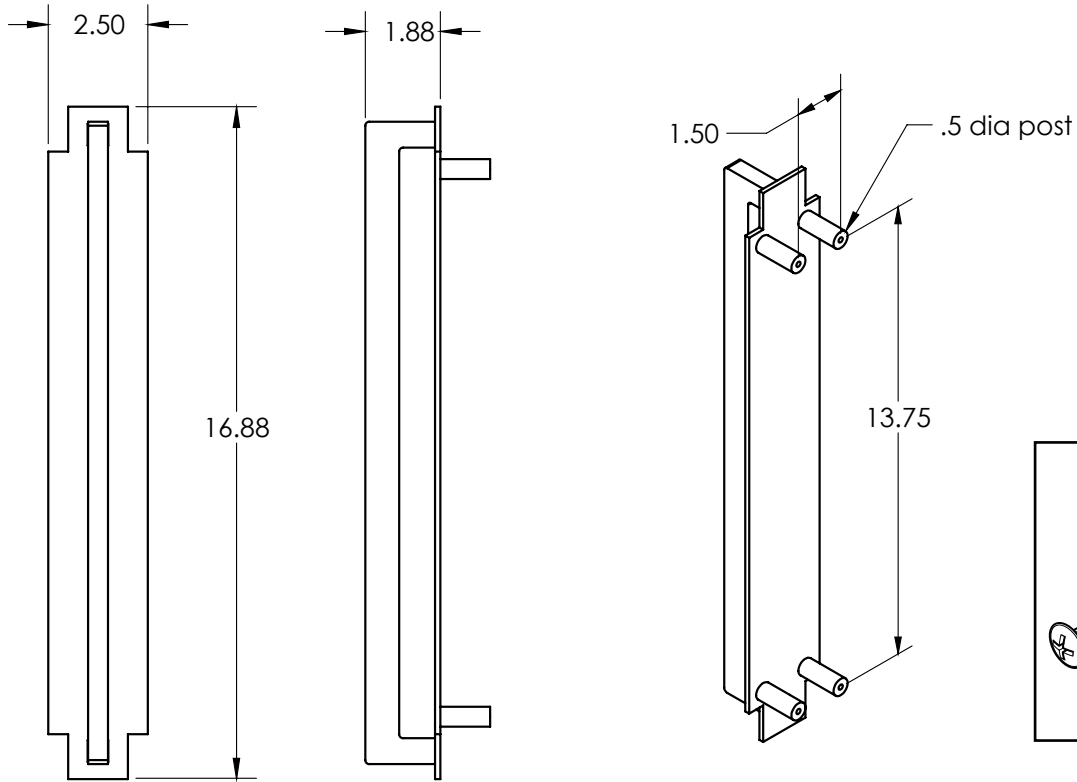


PALM SPRINGS PULL

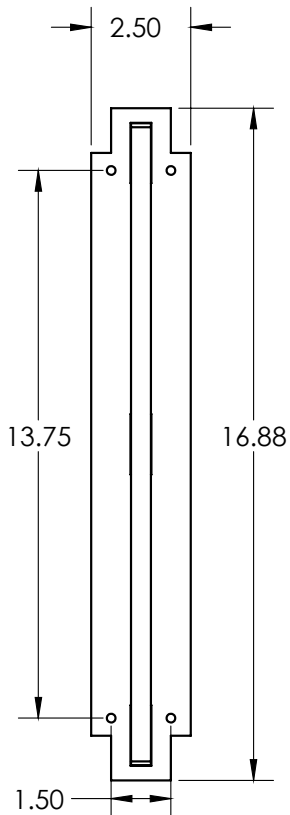


PALM SPRINGS PULL Specifications

Front Pull



Rear Pull



The diagram shows the rear pull being used as a template on a door. A dimension line indicates that the bottom of the pull should be 33 1/2 inches from the bottom edge of the door.

The bottom of the pull should be 33 1/2 from the bottom edge of the door. Avoid placing the door pull too close to the edge of the door. Placing the pull too close to the edge can damage both door and pull.

To install the Palm Springs door pulls, use the REAR pull as a template to mark the holes for the pulls. Gently place the rear pull on the front of the door. The bottom of the pull should be 33 1/2 from the bottom of the door and the pull should be approx. 1 1/4 inches from the edge. Mark the holes with a pencil once you're certain of the placement. Drill a small pilot hole first, then use a 9/16 drill bit to drill the holes for the front pull posts. Put the front pull in place and fasten the rear pull from the back using the screws provided.

WE LOVE WHAT YOU ARE DOING WITH THE PLACE

CONGRATULATIONS ON YOUR DECISION TO BRING HOME
AN AMERICAN MADE PRODUCT OF THE HIGHEST QUALITY.
WE HOPE YOUR PALM SPRINGS PULL BRINGS ART AND FUNCTION
INTO YOUR LIFE.

DESIGNED AND CRAFTED
ENTIRELY IN THE

U.S.A.



DON'T BE A STRANGER. FOLLOW US
ON SOCIAL MEDIA.



support@rusticahardware.com