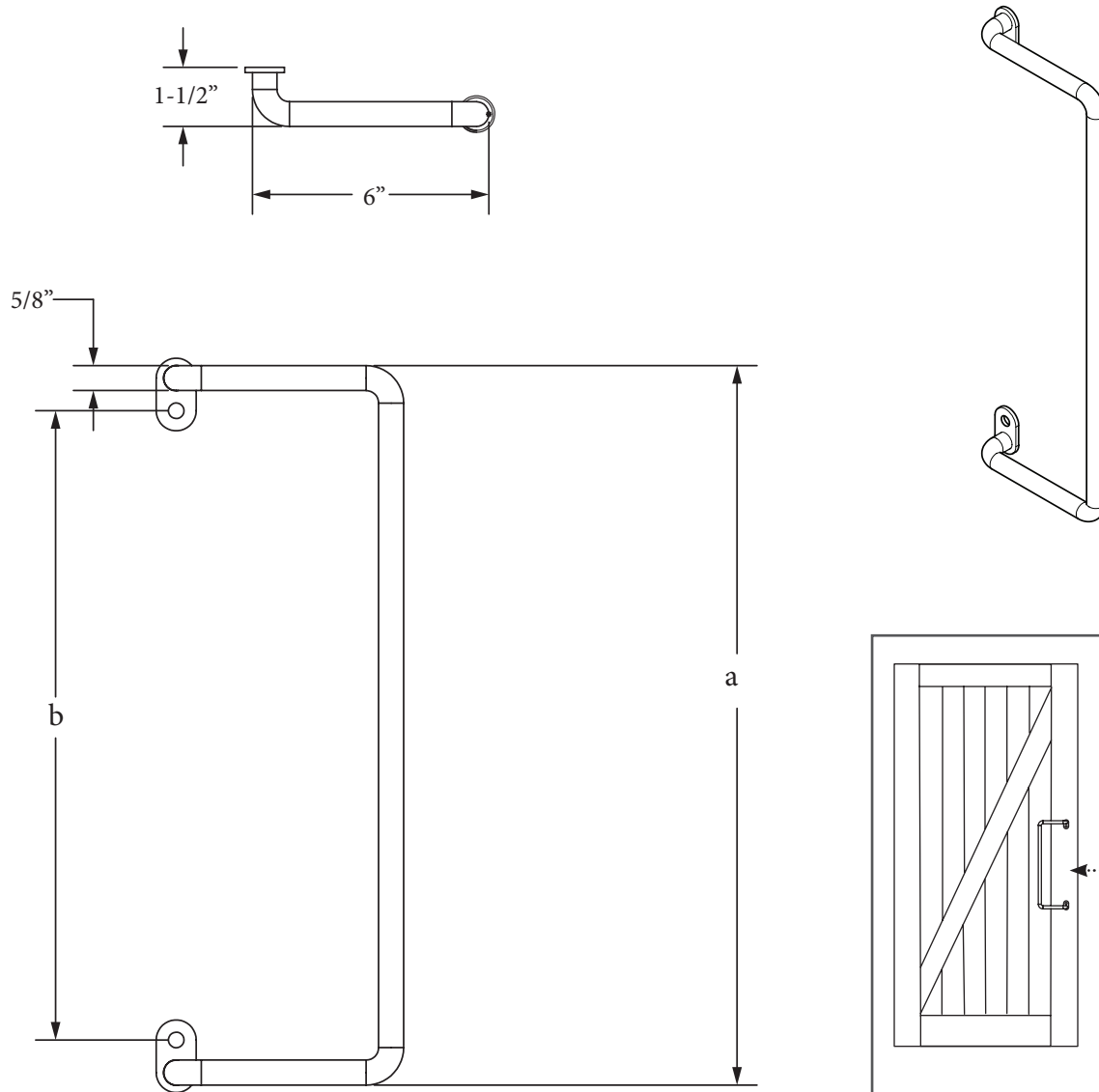




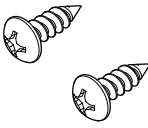
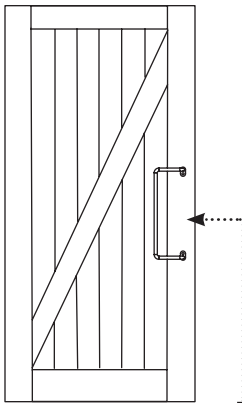
FIORD PULL



FIORD PULL Specifications



NOTE:
Pre-drill screw holes for the pull using and 1/8" drill bit. Drill 1/2" into the wood, then proceed with installation.

The center point of the door pull should be three feet above the bottom edge of the door. Avoid placing the door pull too close to the edge of the door. Placing the pull too close to the edge can damage both door and pull.

Length	8	10	12	14	16	18	20	22	24	26	28	30
a	8	10	12	14	16	18	20	22	24	26	28	30
b	5 ³ / ₄	7 ³ / ₄	9 ³ / ₄	11 ³ / ₄	13 ³ / ₄	15 ³ / ₄	17 ³ / ₄	19 ³ / ₄	21 ³ / ₄	23 ³ / ₄	25 ³ / ₄	27 ³ / ₄

All measurements are shown in inches.

WE LOVE WHAT YOU ARE DOING WITH THE PLACE

CONGRATULATIONS ON YOUR DECISION TO BRING HOME
AN AMERICAN MADE PRODUCT OF THE HIGHEST QUALITY.
WE HOPE YOUR FIORO PULL BRINGS ART AND FUNCTION INTO YOUR
LIFE.

DESIGNED AND CRAFTED
ENTIRELY IN THE

U.S.A.



DON'T BE A STRANGER. FOLLOW US
ON SOCIAL MEDIA.



support@rusticahardware.com