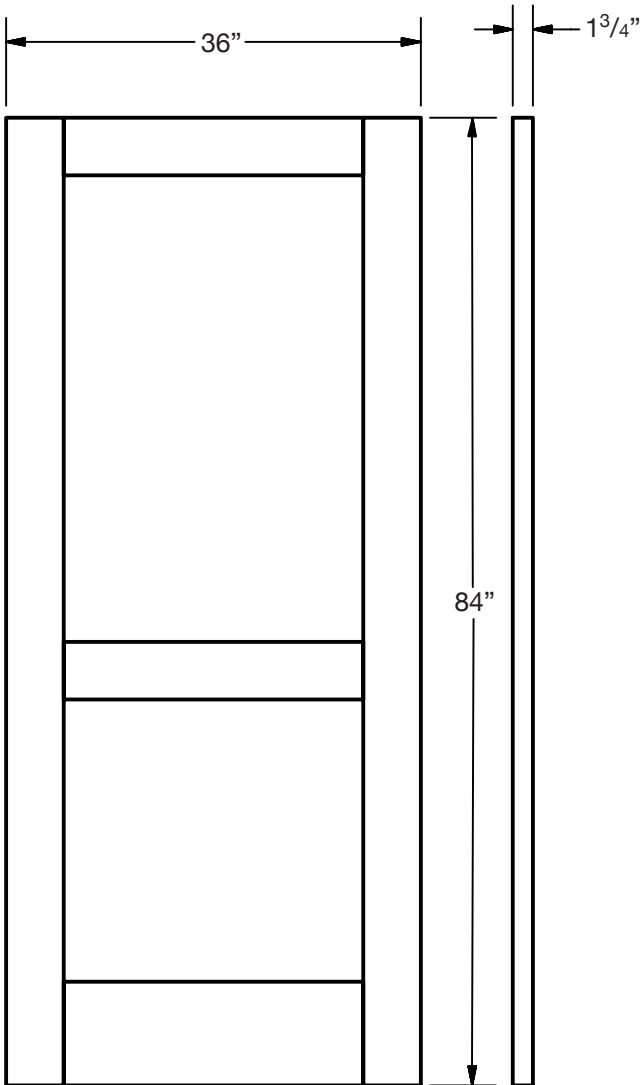


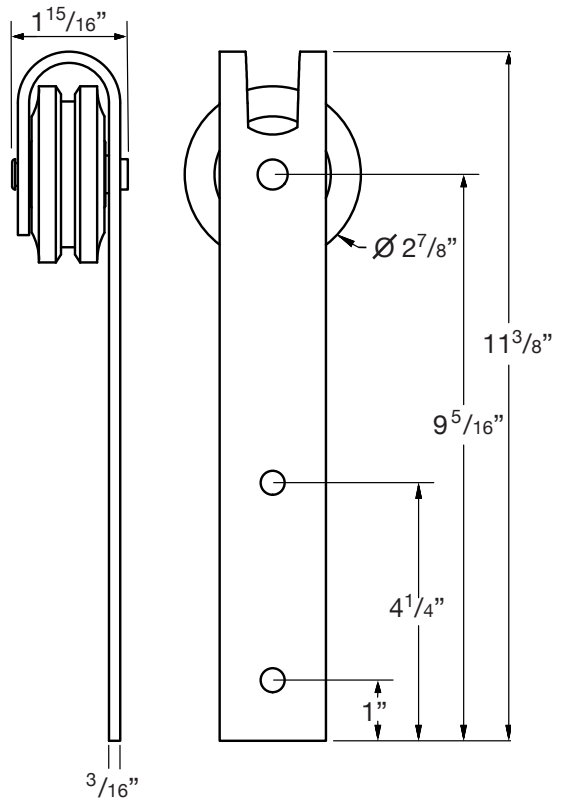
CHALKBOARD DOOR

with GARRICK HANGER
and FALCON DOOR PULL

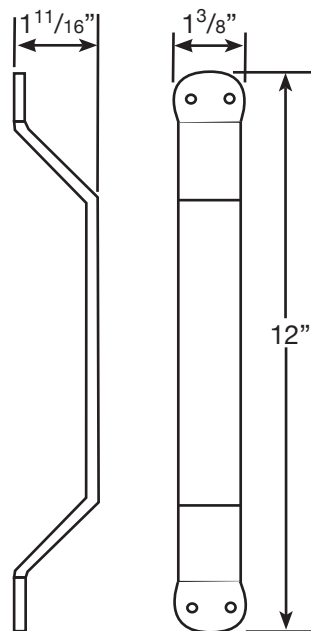
INSTALLATION INSTRUCTIONS



CHALKBOARD DOOR



GARRICK DOOR HANGER



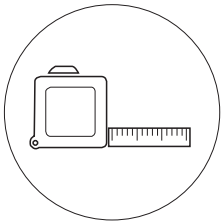
FALCON DOOR PULL

PLEASE NOTE: These instructions are specific to a particular hanger size and type. Adjustments may be needed on your part for changes in specifications and measurements, as well as hanger types that are different than these.

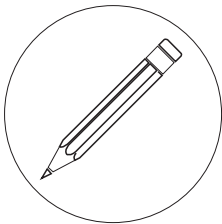


INSTALLATION INSTRUCTIONS

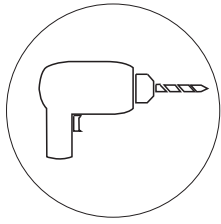
Tools Needed



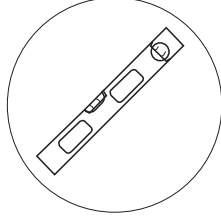
Tape Measure



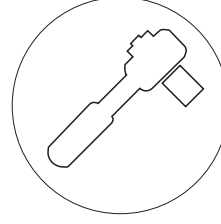
Pencil



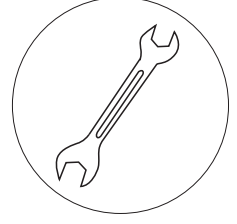
Drill with 1/8", 1/4" and 3/8" bits, 1-1/8" spade or Forstner bit and Phillips bit



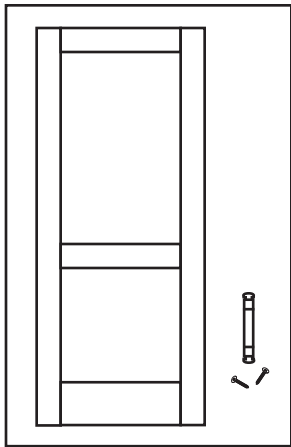
Short Level



Ratchet with 9/16" and 5/8" sockets

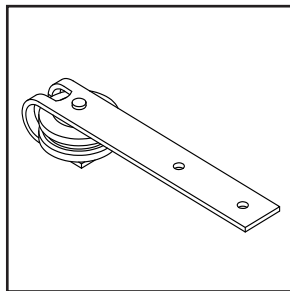


9/16" and 5/8" open end wrench

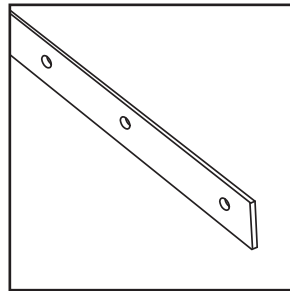


Chalkboard Door and Falcon Door Pull with 3/4" Screws

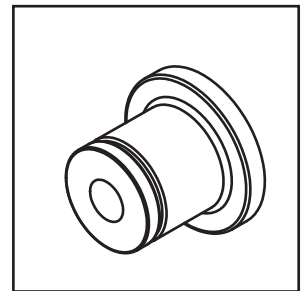
Parts Included



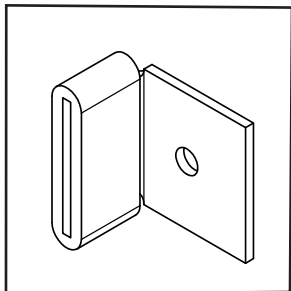
Garrick Door Hangers



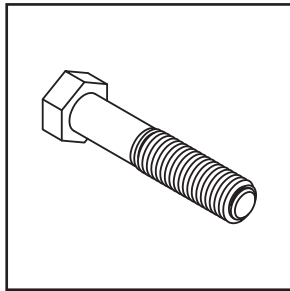
Track



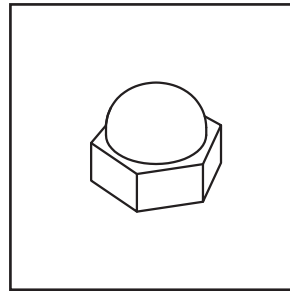
Adjustable Spacers



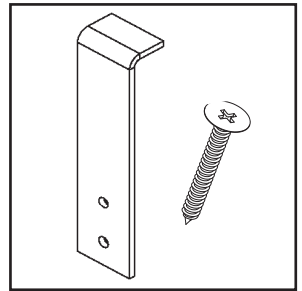
Rubber Band Hard Stops



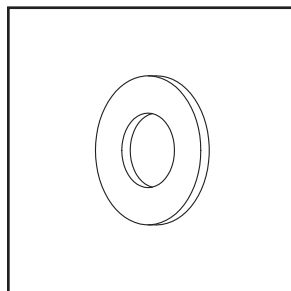
Hex Bolts - 2" x 3/8"



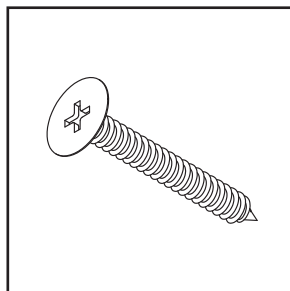
Acorn Nuts



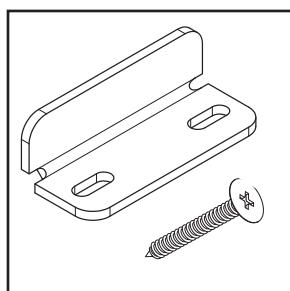
Anti-jump Brackets with 1-1/4" Screws



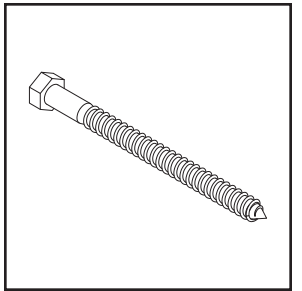
1" Washers



Grabber Screws - 3" x 9/64"



Door Guide with 1-1/4" Screws

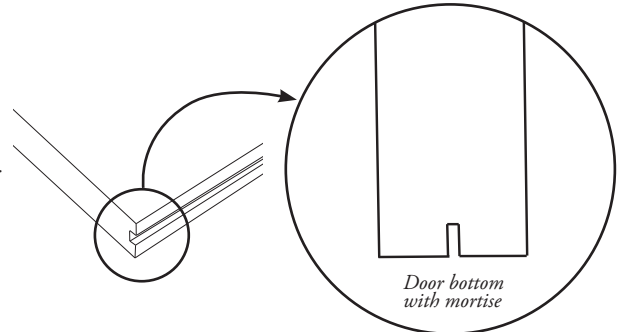


Lag Screws - 5" x 3/8"

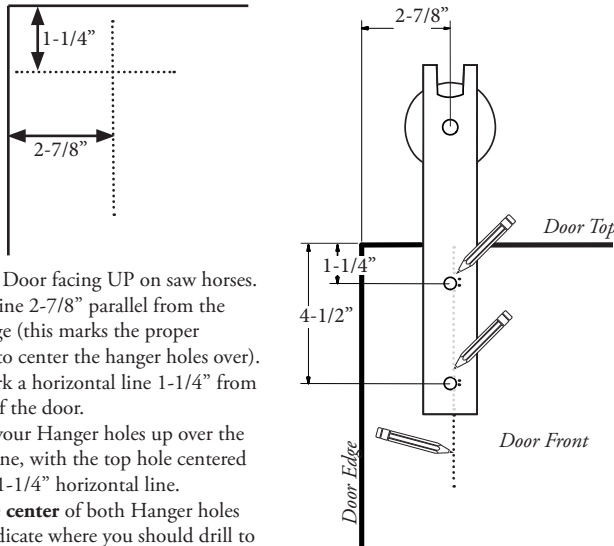


INSTALLATION INSTRUCTIONS

NOTE: If you are installing a Floor Mount Door Guide, your door will have a mortise (a groove that runs along the bottom of your door). Make sure this mortise is facing down towards your floor and that you install the Door Hangers on the other end.



1. Measuring and Marking Your Hanger Holes

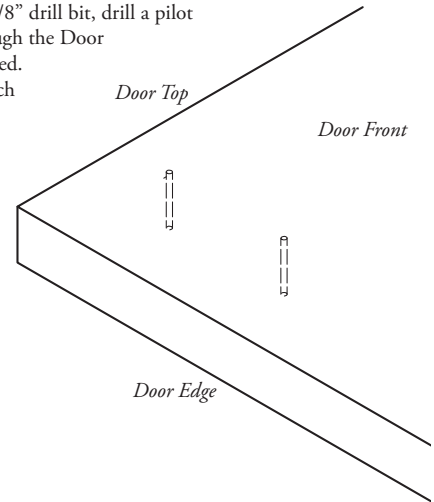


- Lay your Door facing UP on saw horses.
- Pencil a line 2-7/8" parallel from the Door edge (this marks the proper location to center the hanger holes over).
- Now mark a horizontal line 1-1/4" from the top of the door.
- Line up your Hanger holes up over the vertical line, with the top hole centered over the 1-1/4" horizontal line.
- Mark the **center** of both Hanger holes (these indicate where you should drill to attach your Hanger to your Door).
- Repeat Step 1 on the opposite Door edge.



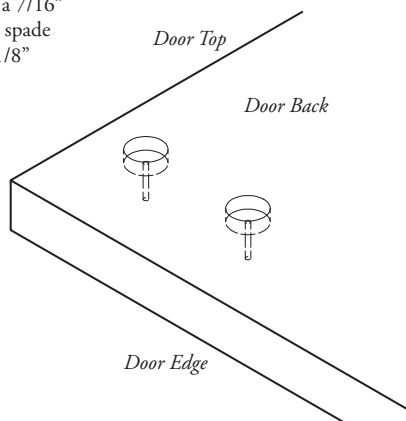
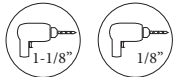
2. Drilling Pilot Holes

- Using a drill with a 1/8" drill bit, drill a pilot hole all the way through the Door where you have marked. (one pilot hole for each hole in the Hanger).
- Repeat Step 2 on the opposite edge of the Door.



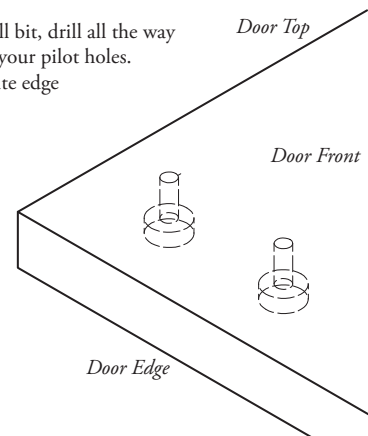
3. Drilling Countersink Holes

- Turn the Door over so it is facing DOWN on the saw horses.
- Using a drill with a 1-1/8" spade bit or Forstner bit (a Forstner bit is preferred), drill a 7/16" deep hole, centering your 1-1/8" spade or Forstner bit directly over the 1/8" pilot hole.
- Repeat Step 3 on the opposite edge of the Door.



4. Drilling Lag Screw Holes

- Turn the Door back over so it is facing UPWARDS on the saw horses.
- Using a drill with a 3/8" drill bit, drill all the way through the Door, through your pilot holes.
- Repeat Step 4 on the opposite edge of the Door.

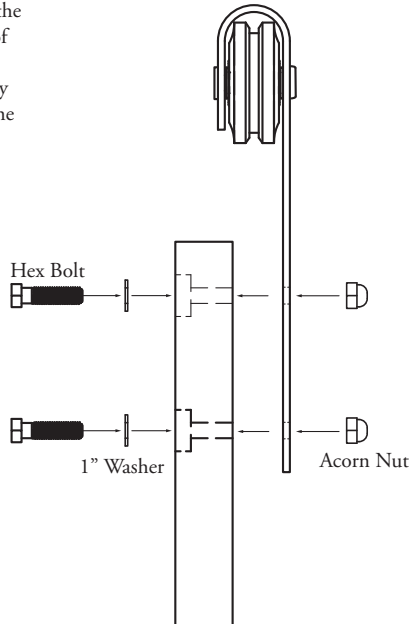




INSTALLATION INSTRUCTIONS

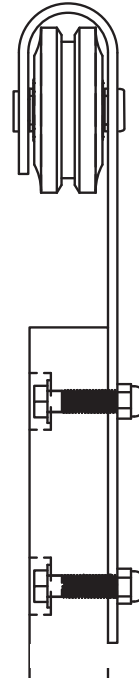
1. Installing Your Hanger Assembly To Your Door

- Thread the Hex Bolts with the Washers through the back of the Door.
- Thread the Hanger assembly through the Hex Bolts on the front of the Door.
- Holding Hex Bolts in place using a ratchet with a 5/8" socket, lightly tighten your Acorn Nuts by hand.



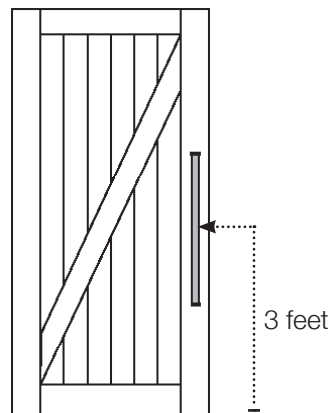
2. Tightening Your Hanger Assembly

- Using a 9/16" wrench for the Acorn Nut and a ratchet with a 5/8" socket and for the Hex Bolt, gently tighten, being careful not to damage your Hanger or Acorn Nuts.
- Repeat Steps 1 and 2 on the opposite edge of the Door.



3. Attaching the Door Pull

The location where you attach your Door Pull is up to you. We suggest you don't attach your Door Pull too close to the edge of your Door or a seam, as this would weaken the integrity of your Door. Typically we recommend that the center of your Door Pull be lined up 3' from the bottom of the door."



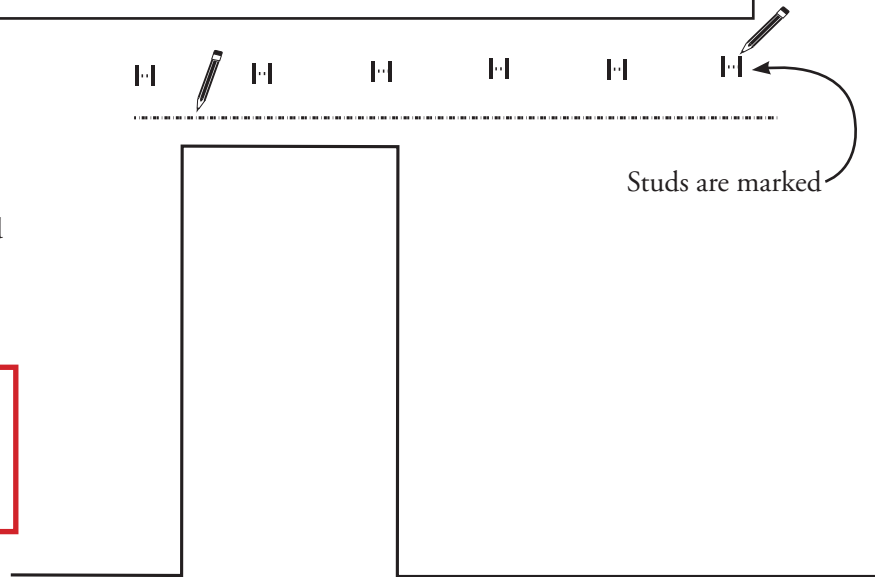


PLEASE NOTE: We strongly advise you to have someone help you install your Header. We recommend your Header be 4" longer than your Track (Header would extend 2" past Track on both ends).

Determining Header Location

Once you have penciled a line onto your wall for where your track will be installed (as per Track Installation Instructions), locate and mark where the wall studs are.

When installing your Track, be sure you are drilling into wall studs or into a Header that is installed through the wall studs. This will provide the stability your wall needs to hold the weight of your Door.



Measuring for your Track holes

On your Header, measure in 3" from the end and 3" from the top and 3" from the bottom of the header.

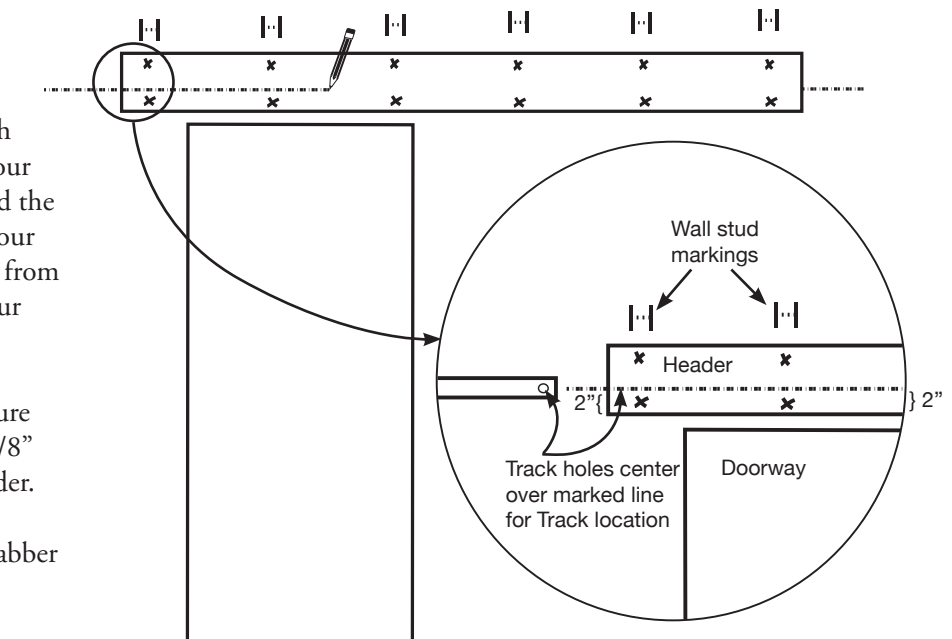


Attaching Header

Place your Header onto your wall with the bottom 2" of the Header below your marked track line. Have someone hold the Header in place while you continue your pencil line for the holes in your Track from your wall onto the Header. Ensure your line is plumb using a level.

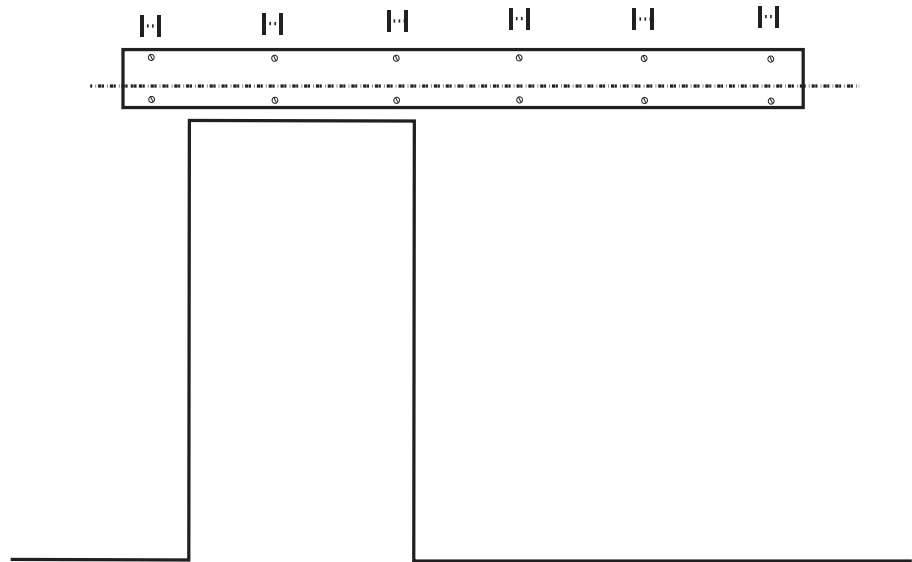
Mark for holes to be drilled making sure you will be drilling into studs. Drill 1/8" diameter pilot holes through the Header.

Attach Header to the wall with 3" Grabber Screws and a drill.





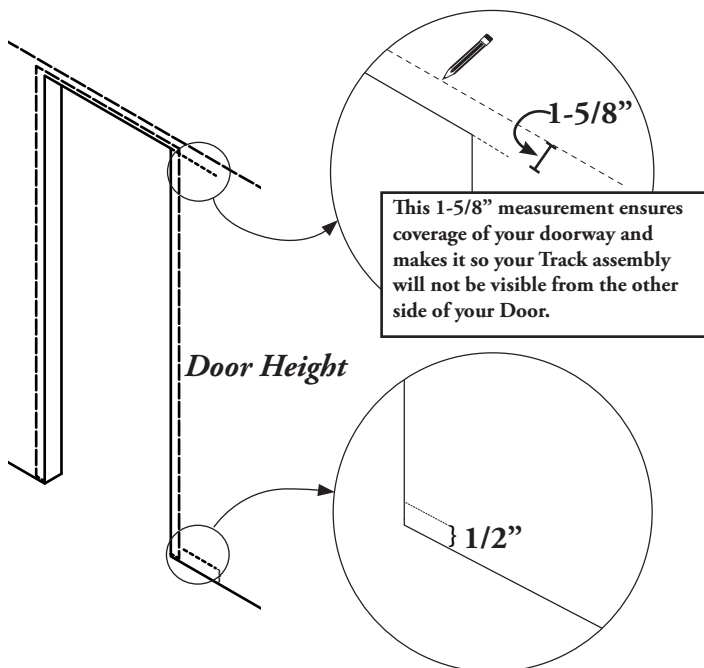
Your Header is ready for your Track System to be installed.



Measuring for Track Position

IMPORTANT!

If you are installing our Flat Track System, proceed. If you are installing either a Tube, Box, Bypass, J Track, or Ceiling Mount Track System, go to www.rusticahardware.com and download Installation Instructions specific to your Track System.



$$\begin{array}{r}
 1-5/8'' \\
 + \text{Door Height} \\
 + 1/2'' \\
 \hline
 =
 \end{array}$$

of inches up from finished floor where you will pencil a horizontal line for your Track. *This line will mark the center of the Track and your penciled line will be visible through the Track holes.*

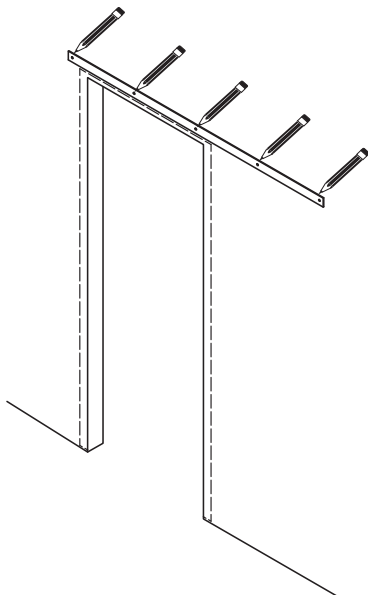
- Check to see if your floor is level. If your floor rises more than 1/2" along the length of the Track, you risk your Door rubbing or sticking at this high point.
- If your floor is not level, measure up from the highest point of your floor to find your Track hole center position to attach the Track to your wall.
- To determine where to install your Track, **add together 1-5/8" (space above door) plus 1/2" (floor gap) to the height of your Door.** This measurement is how high up on your wall (from your floor up) you should install the Track.
- This is where you will mark a horizontal line on your wall parallel to the finished floor, the same length of your Track.





INSTALLATION INSTRUCTIONS

1. Marking and Drilling Track Holes



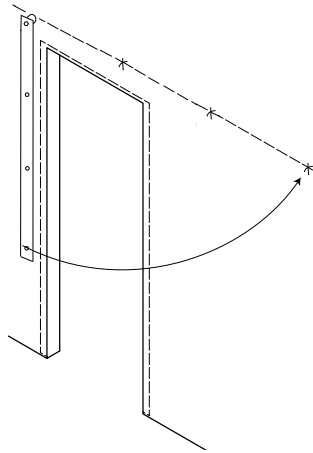
- Hold up your Track so that the marked line from the previous step is visible through the Track holes.
- Mark an intersecting line in the center point of each of the Track holes.
- Set the Track down.
- Using a drill with 1/4" drill bit, drill out your marked Track holes.*

**Be sure you are drilling into wall studs. If your track holes are not lining up with your studs, you will need to install your Track onto a header. The header needs to be attached to your wall through the studs.*

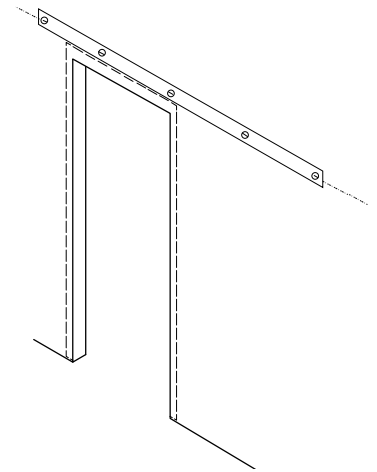
This will provide the stability your wall needs to hold the weight of your Door.



2. Hanging Your Track



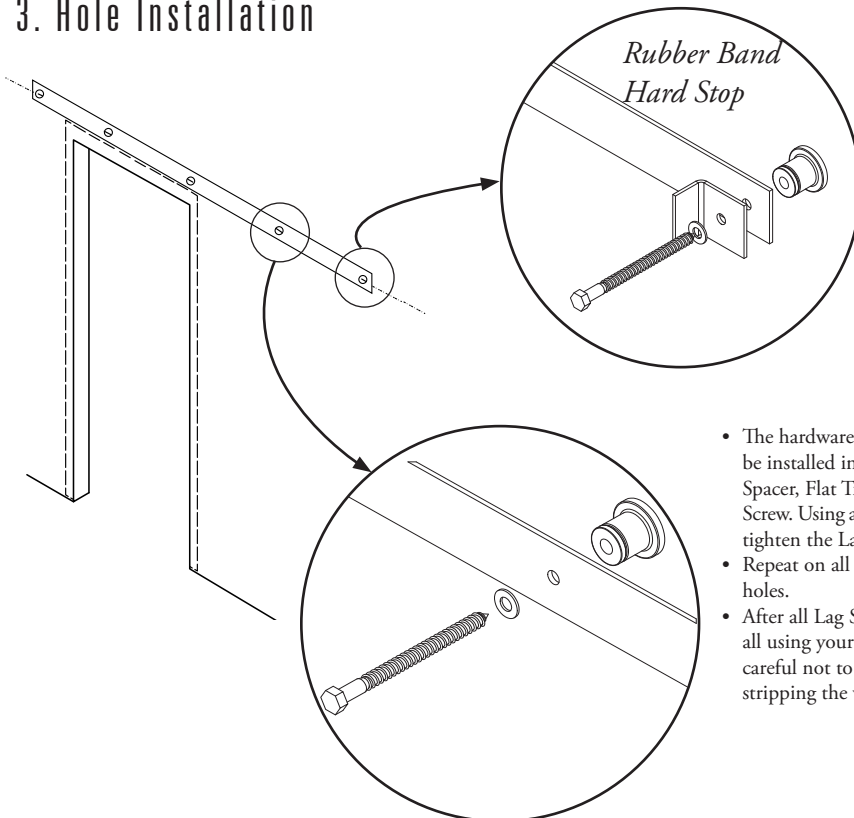
- Loosely attach one end of the Track using a Spacer and a Rubber Band Hard Stop (see below) and a Lag Screw.
- Swing the Track up and loosely attach the other end, using a Spacer and a Rubber Band Hard Stop (see below) and a Lag Screw.



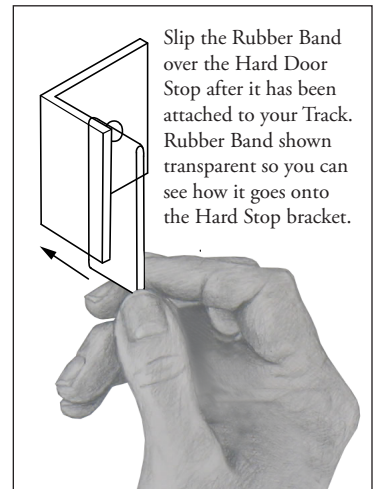
- The center holes can now be loosely attached (see below).



3. Hole Installation



- The **end** holes will be installed with a Rubber Band Hard Stop.
- In this order: Adjustable Spacer, Flat Track, Rubber Band Hard Stop, 1" Washer, and Lag Screw. Using a ratchet with a 9/16" socket, tighten the Lag Screw most of the way, enough to hold the Track in place, but allowing the Track to move.
- Swing the Track up to be horizontal, and repeat the same step on the opposite end of the Track.
- The hardware for the **middle** holes will be installed in this order: Adjustable Spacer, Flat Track, 1" Washer, and Lag Screw. Using a ratchet with a 9/16" socket, tighten the Lag Screw most of the way.
- Repeat on all remaining middle Track holes.
- After all Lag Screws are in, fully tighten all using your ratchet with socket, being careful not to over-tighten to avoid stripping the wall studs.



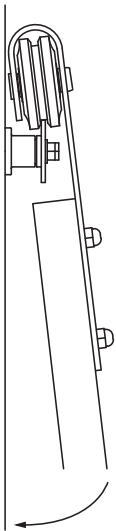
Slip the Rubber Band over the Hard Door Stop after it has been attached to your Track. Rubber Band shown transparent so you can see how it goes onto the Hard Stop bracket.



INSTALLATION INSTRUCTIONS

1. Installing Your Door

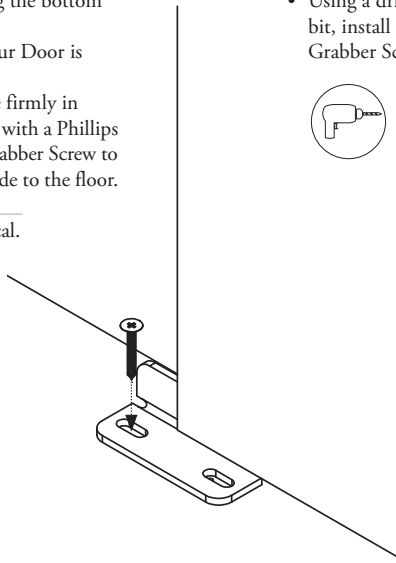
- Lift your Door up to your Track at a slight angle.
- Carefully rest both Wheel grooves onto the top of the track.
- Guide the Door to the resting position.



2. Door Guide Part 1

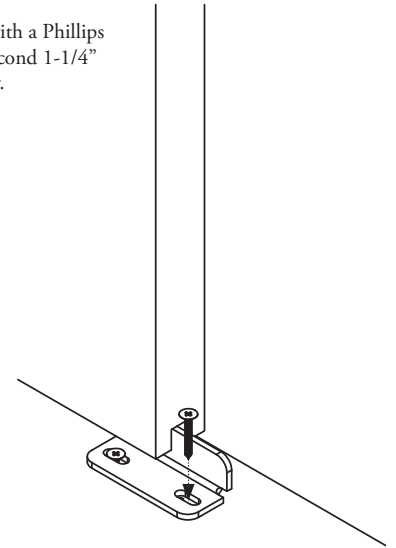
- Use your level to plumb* your Door.
- With the Door in the closed position, place the Door Guide half way into the Door mortise (the groove that runs along the bottom of a wood Door).
- Double check that your Door is plumb.*
- Hold the Door Guide firmly in position. Using a drill with a Phillips bit, install a 1-1/4" Grabber Screw to secure your Door Guide to the floor.

*Plumb - perfectly vertical.



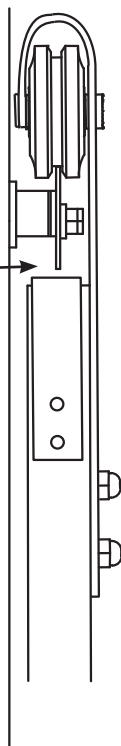
3. Door Guide Part 2

- Slide the Door into the open position exposing the other edge of the Door Guide.
- Using a drill with a Phillips bit, install a second 1-1/4" Grabber Screw.



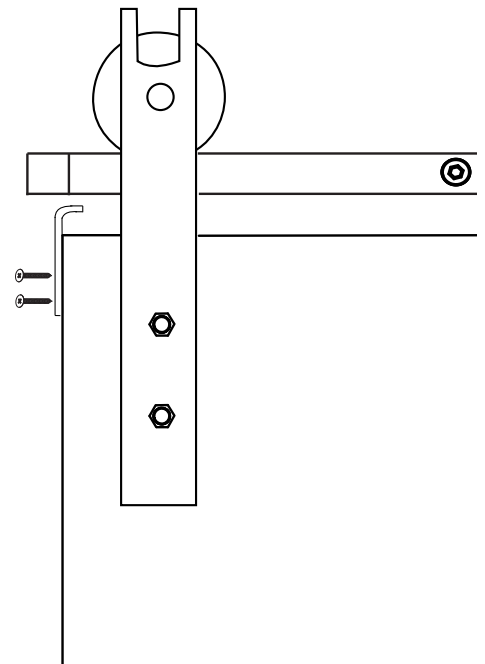
4. Aligning Anti-jump Bracket

- Place your Anti-jump Bracket against the outside edge of your Door.
- Slide the Bracket up until there is a 1/16" to 1/8" space between the top of the Anti-jump Bracket and the bottom of the Track.



5. Installing Anti-jump Bracket

- Holding the Anti-jump Bracket firmly in place, drill 1-1/4" Grabber Screws into each of the two holes in the Bracket until screw heads are flush with your Bracket. Installing this Bracket will ensure your Door will not come off its Track.



WE LOVE WHAT YOU'RE DOING WITH THE PLACE

Congratulations on your decision to bring home an American-made product of the highest quality. We hope your piece brings art and function into your life.

Post images of your finished project on Facebook or Instagram with #TitleContest for a chance to win a \$500 Rustica instore credit

Don't be a stranger, follow us on social media @RusticaHardware

