

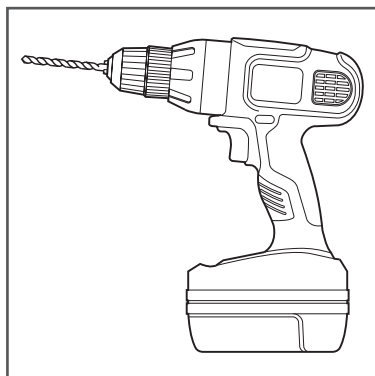


EDGE BAND SHELF KIT

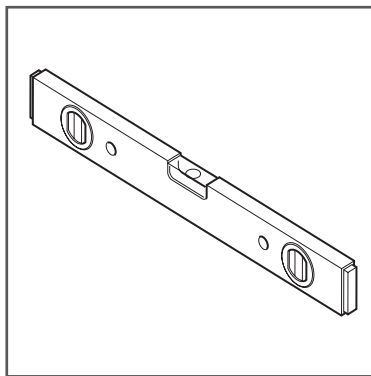
INSTALLATION INSTRUCTIONS



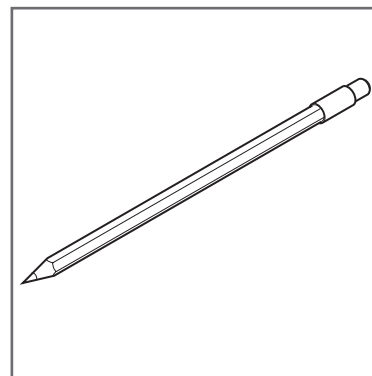
EDGE BAND SHELF KIT Recommended Tools



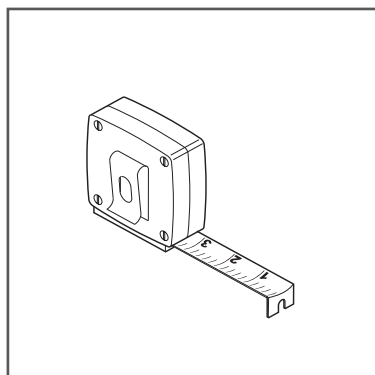
Drill with 1/8" Drill Bit
and Phillips Screw Bit



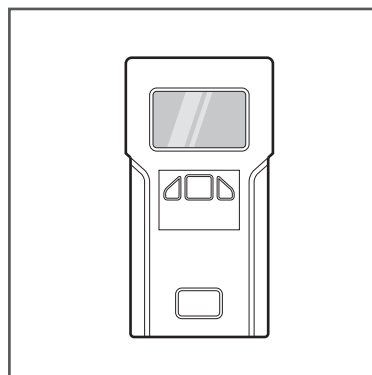
Level



Pencil

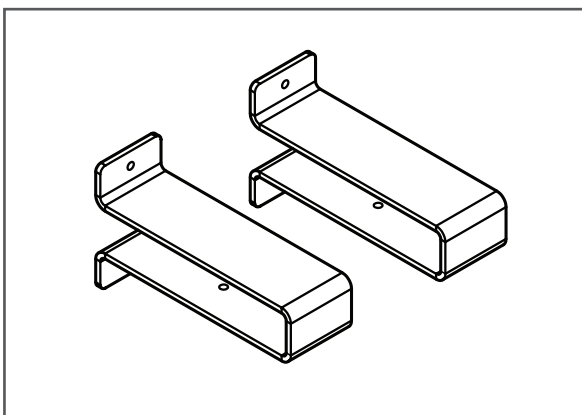


Measuring Tape

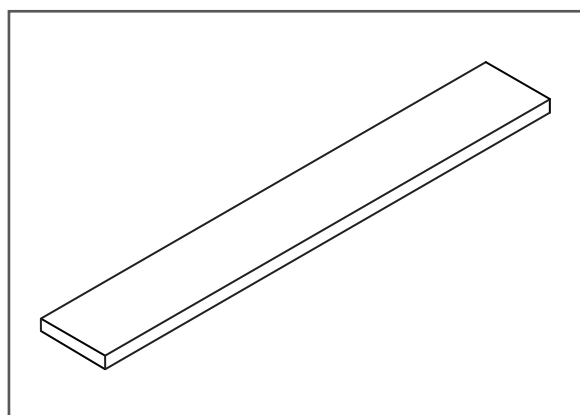


Stud Finder

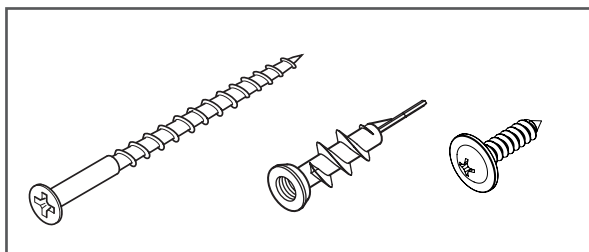
EDGE BAND SHELF KIT Parts



2 Brackets



1 Shelf

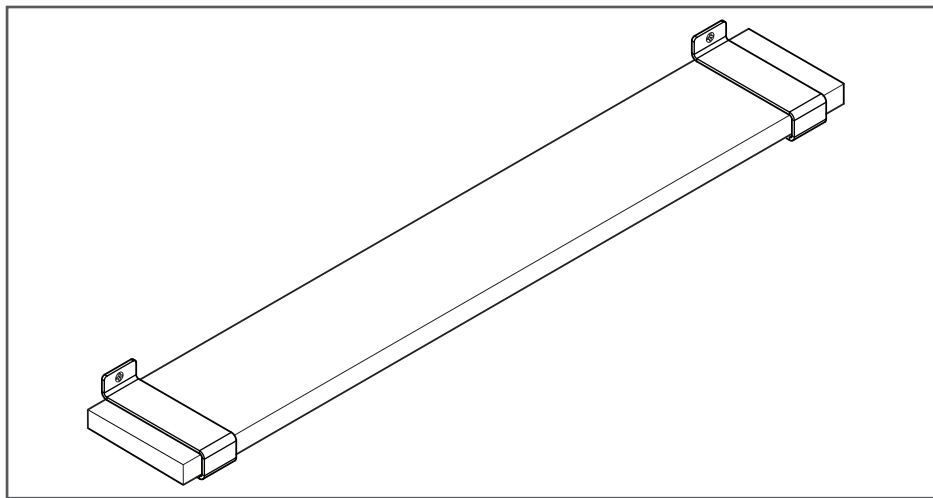
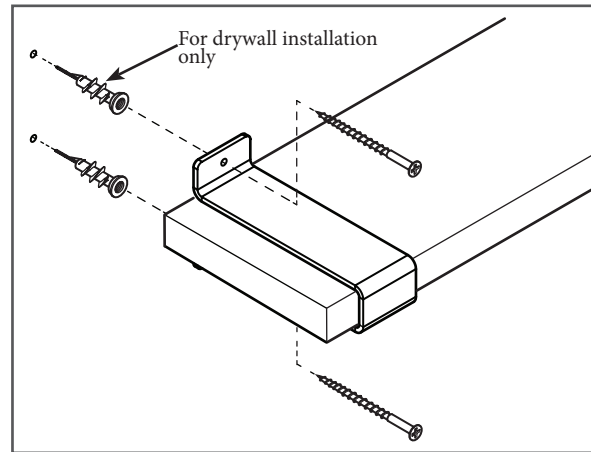
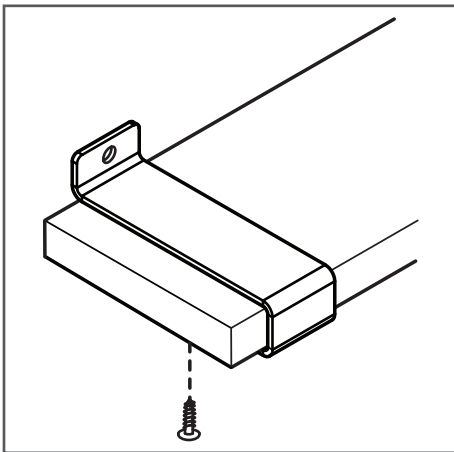
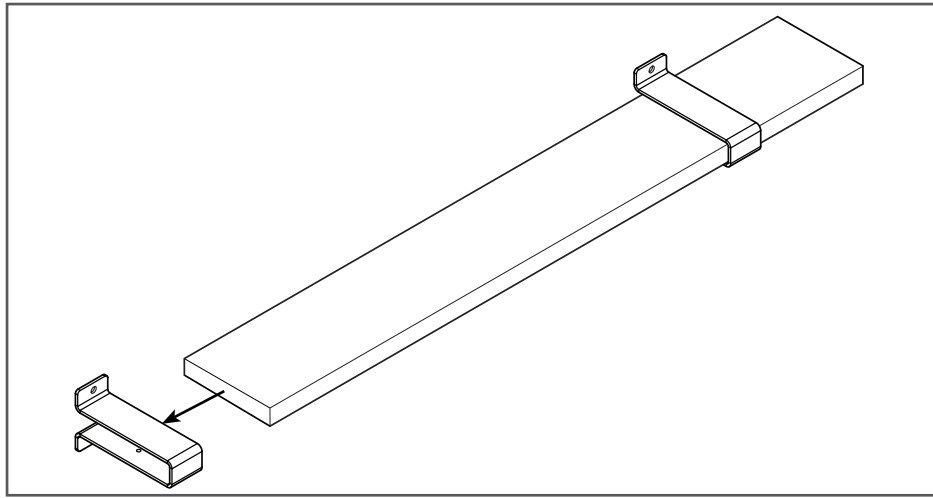


4 Dry Wall Screws
4 Dry Wall Anchors*
2 Wood Screws for attaching shelf to
bracket
*Do not use drywall anchors when
installing into studs.

EDGE BAND SHELF KIT Parts

NOTE:

For the best installation, mount shelf brackets into wall studs using the provided screws. If brackets cannot be mounted on studs, use the drywall anchors provided in the kit.



NOTE:

Do not exceed 58 inches between brackets. Do not place more than 100 pounds on the self.

WE LOVE WHAT YOU ARE DOING WITH THE PLACE

**CONGRATULATIONS ON YOUR DECISION TO BRING HOME
AN AMERICAN MADE PRODUCT OF THE HIGHEST QUALITY.
WE HOPE YOUR EDGE BAND SHELF KIT BRINGS ART AND FUNCTION
INTO YOUR LIFE.**

**DESIGNED AND CRAFTED
ENTIRELY IN THE**

U.S.A.



**DON'T BE A STRANGER. FOLLOW US
ON SOCIAL MEDIA.**



support@rusticahardware.com