

Half X Door

Assembly Instructions

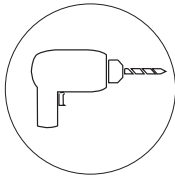


Assembly Instructions

Tools Needed



Ratchet with 7/16" socket



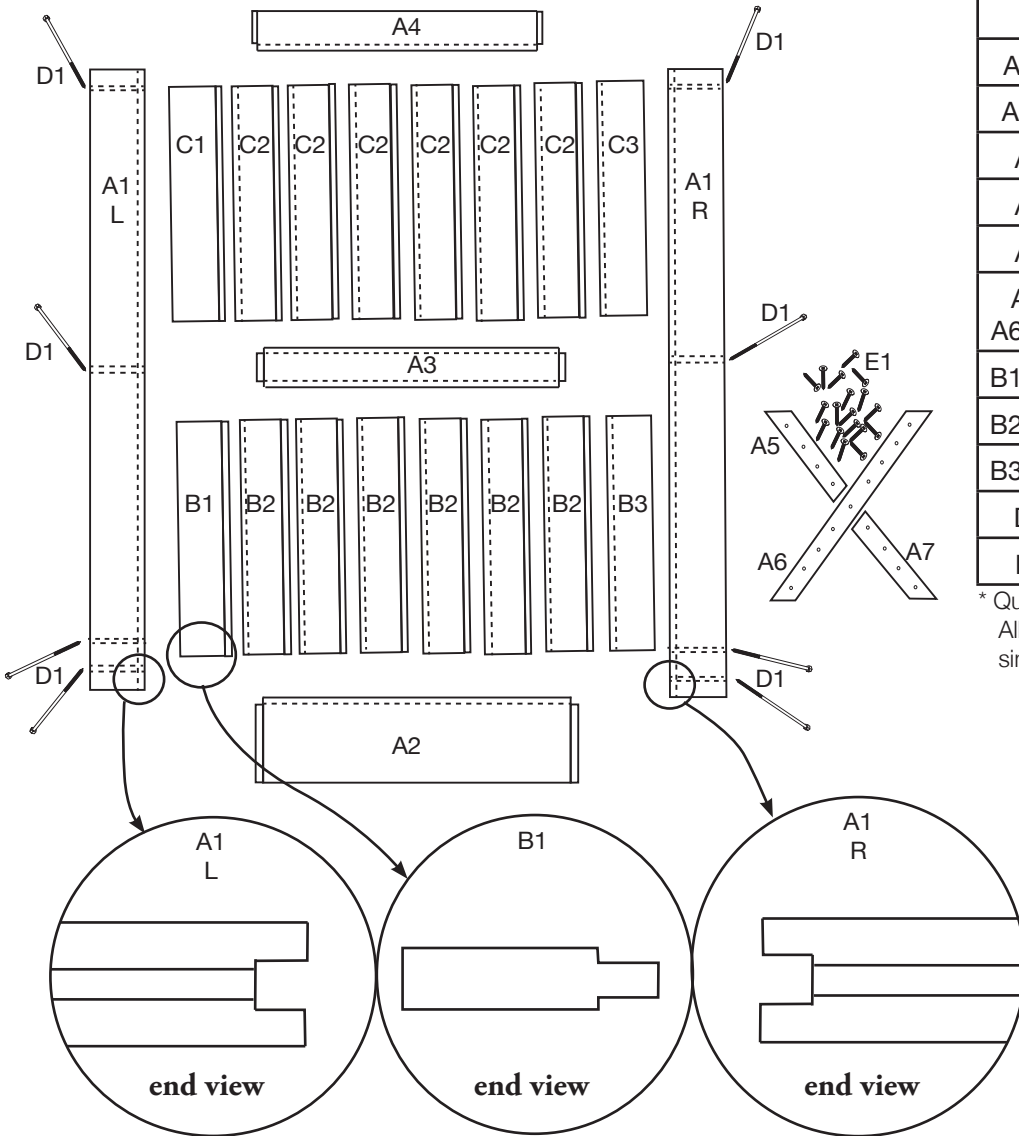
Drill with Phillips bit

If any of the stiles, slats or rails have been damaged during shipping, call us at 800-891-8312 and we will expedite a replacement slat. Lay out your Door parts according to the illustration shown below to accurately identify which part needs to be replaced, if any.

Lay all parts out on a flat surface as shown here.

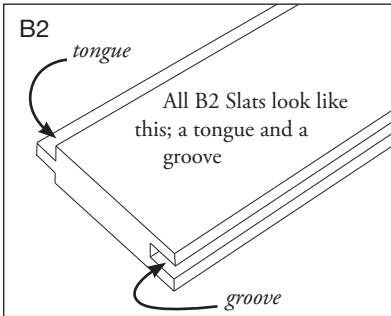
PLEASE NOTE: These instructions are specific to a particular door size and type. Adjustments may be needed on your part for changes in specifications and measurements, as well as door types that are different from these.

Parts Included

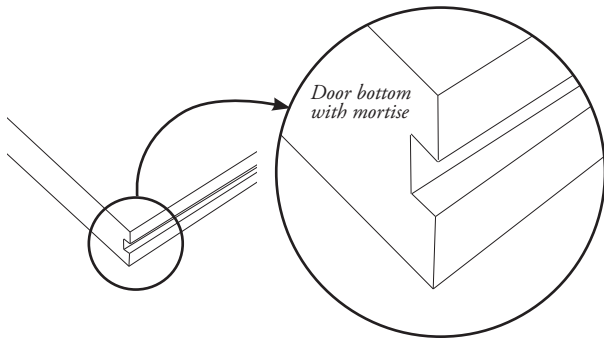


	Description	Qty
A1 L	Side Stile Left	1
A1 R	Side Stile Right	1
A2	Bottom Rail	1
A3	Middle Rail	1
A4	Top Rail	1
A5, A6, A7	Diagonal Rails	1 each
B1, C1	Slats w/ 2 side tongues	1 each
B2, C2	Tongue & Groove Slats	6 each*
B3, C3	1 Groove Slats	1 each
D1	6" Lag Bolts	6*
E1	1-1/4" Grabber Screws	13*

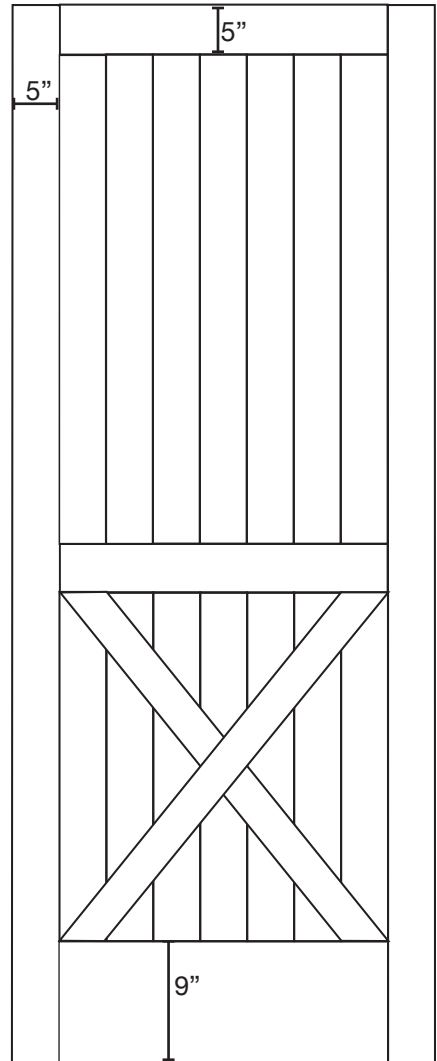
* Quantities will vary depending on Door size. All quantities in this table are for an average-size single Door order.



Assembly Instructions



NOTE: If you are installing a Floor Mount Door Guide, your door will have a mortise (a groove that runs along the bottom of your door). Make sure this mortise is facing down towards your floor and that you install the Door Hangers on the other end.



Assembly Instructions

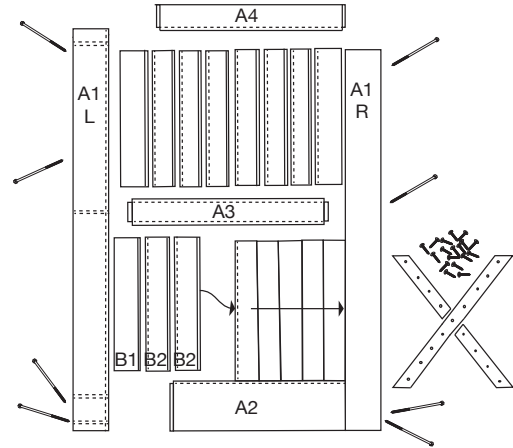
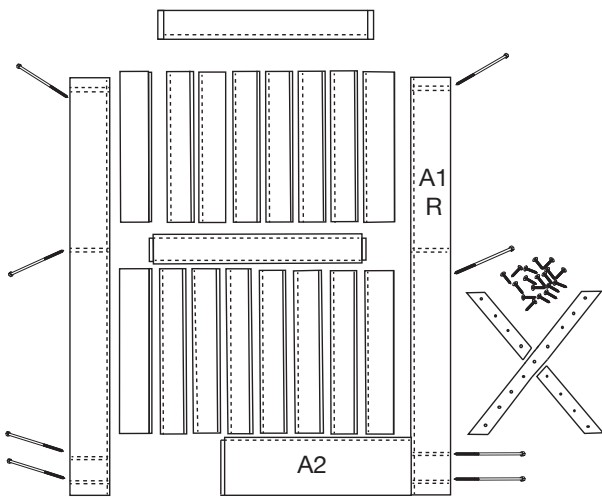
Assembling Your Door

We recommend a dry assembly. It is recommended you not use glue or adhesive of any kind.

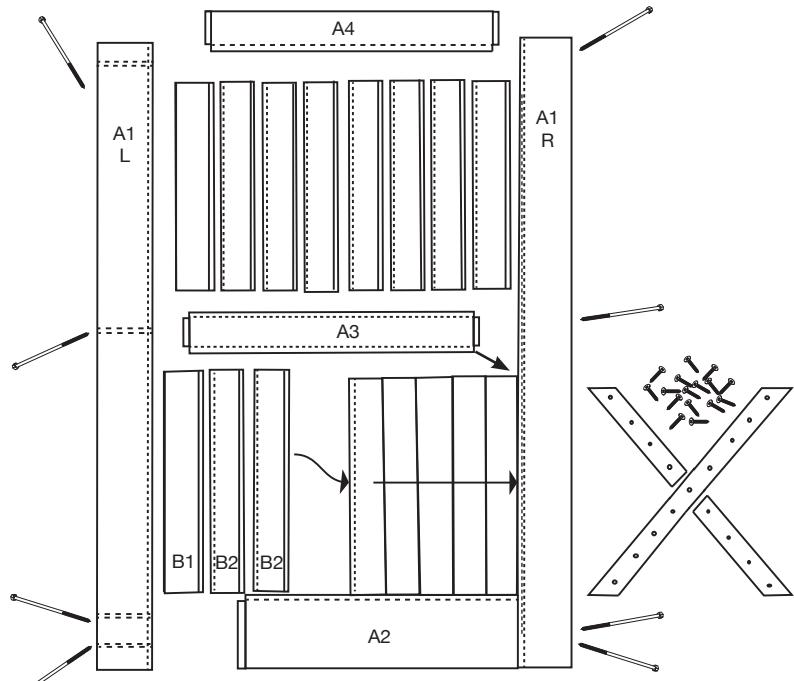
PLEASE NOTE: These instructions are specific to a particular door size and type. Adjustments may be needed on your part for changes in specifications and measurements, as well as door types that are different from these.

1. Slide A2 over so its tongue inserts into A1R's groove.

2. Slide B1, B2, and B3 slats to the right and down so their tongues go into A1 R and A2's grooves.

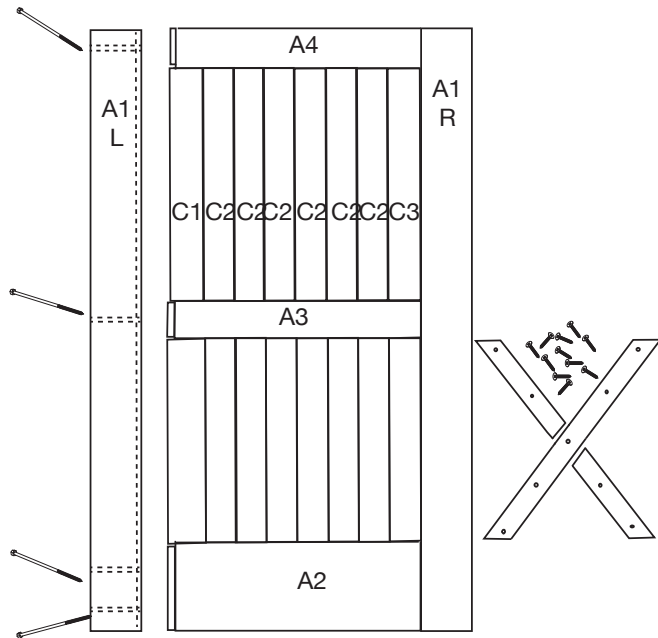


3. Slide all remaining B slats into place. Now slide A3 Middle Rail down so the groove along the bottom covers the tops of the B Slats.



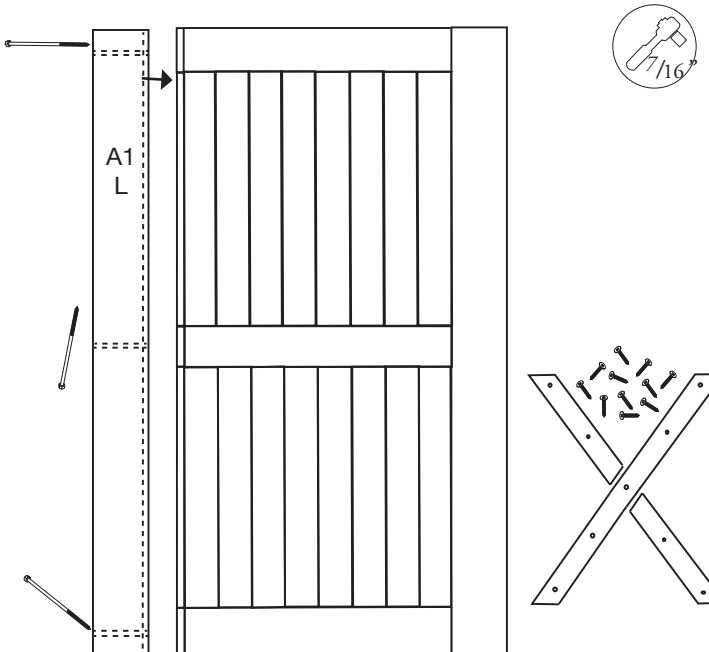
Assembly Instructions

4. Slide all C Slats into A1 R Stile and A3's top groove. Once all of the slats have been positioned, place the A4 Top Rail onto the C slats and in the A1 R grooves.



At this point it will be helpful to have someone help by holding your stiles, slats and rails firmly in place while you are installing the Lag Bolts.

5. Slide Side Stile A1 L into place. You can now install the 6" Lag Bolts, making sure your door remains straight. Tighten by hand, and if all slats are correctly in place, tighten with a ratchet with a $7/16$ " socket.



6. When the Door is assembled, place A5, A6 and A7 (Diagonal Rails) onto the door so the predrilled holes are facing up and so they form an X that runs from corner to corner. Attach using the 1-1/4" Grabber Screws and a drill with a Phillips bit. Install a Door Pull and your Door is ready to hang.

