

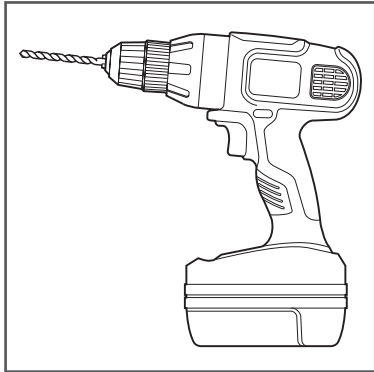


MINI BYPASS SYSTEM

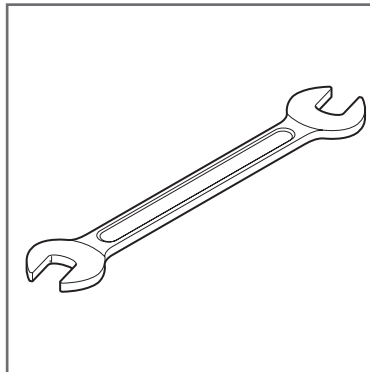
ASSEMBLY INSTRUCTIONS



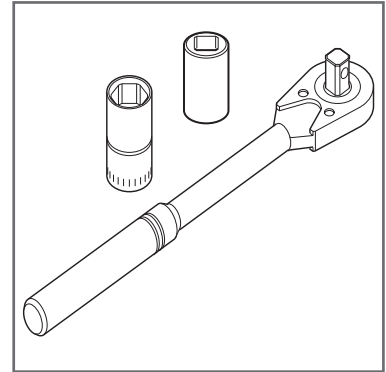
MINI BYPASS SYSTEM Recommended Tools



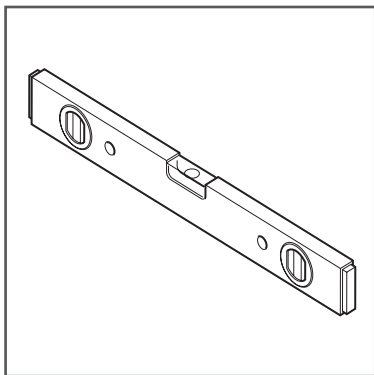
Drill with 1/4" Drill Bit
and Phillips Screw Bit



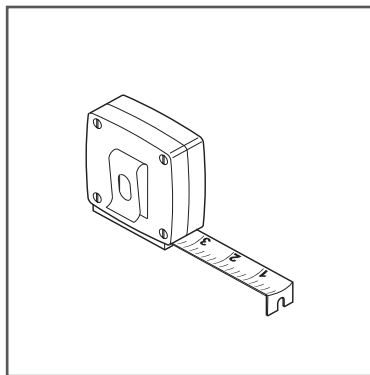
7/16" Combination
Wrench



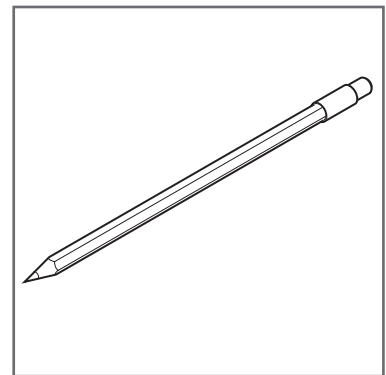
Socket Wrench with
7/16 and 9/16" Socket



Level



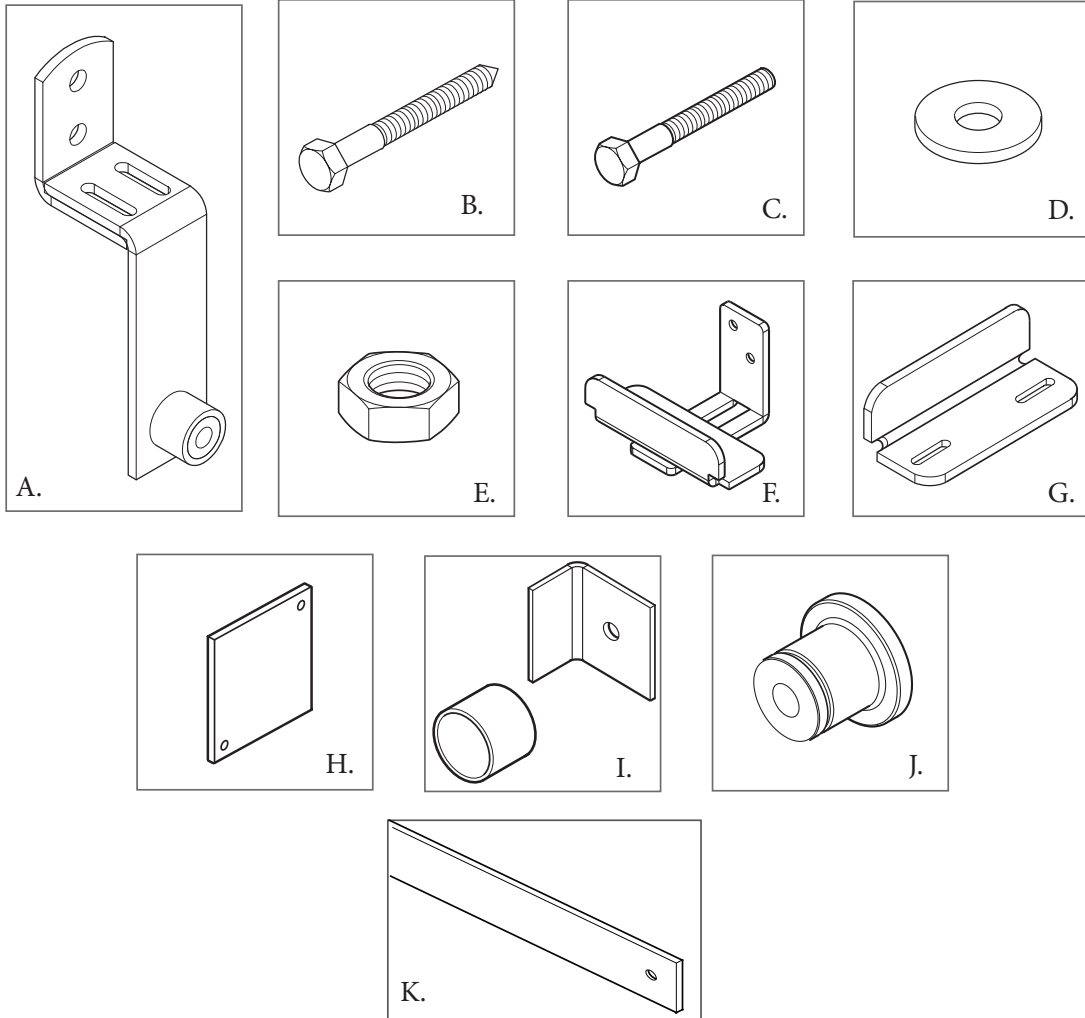
Tape Measure



Pencil

**USE TEAMWORK - WE RECOMMEND
TWO PEOPLE FOR THIS BUILD.**

NOTE:
THE FOLLOWING INSTRUCTIONS ARE FOR FLAT TRACK MINI SYSTEMS ONLY. DO NOT ATTEMPT TO USE ON TUBE, BOX, BYPASS, J TRACKS, OR CEILING MOUNT TRACK SYSTEMS.



- PARTS**
- A. Bypass Bracket
 - B. Lag Screw
 - C. Lag Bolt
 - D. 1" Washer
 - E. Nut
 - F. Come-Along Door Guide (Optional)
 - G. Door Guide
 - H. End Plate
 - I. Hard Stop & Rubber Bumper
 - J. Spacer
 - K. Track

FIRST THINGS FIRST

Check to see if the sill or floor below the track area is level. If the sill or floor rises more than 1/2" the panel or door may rub or not slide open completely. If the sill or floor is not level, measure from the highest point of the sill or floor surface to the recommended track placement and adjust track placement accordingly.

Ensure the track will be installed onto wall studs. If wall studs are not lining up with the installation a header will be required to provide the necessary strength and stability for the track and door.

RAIL & DOOR INSTALLATION

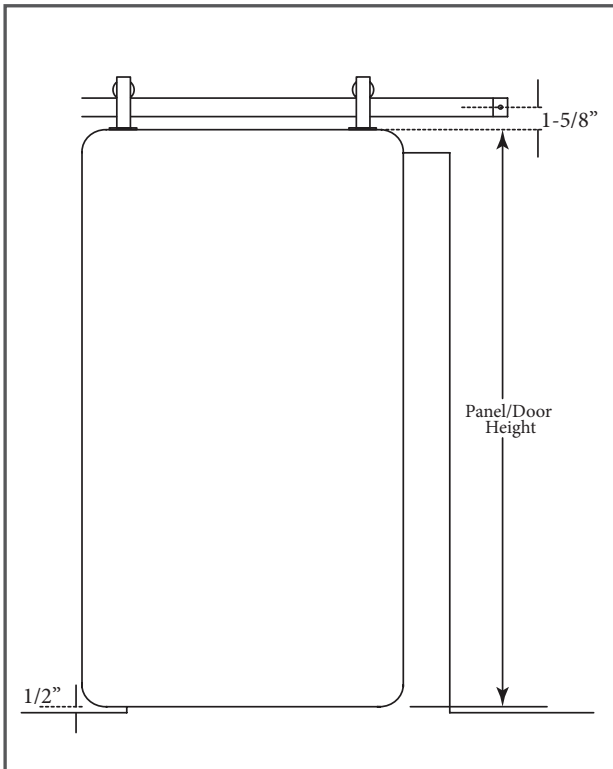


Figure 1

1. To determine where the track should be installed, first measure the height of the panel or door, then add 2-1/8" to the panel or door length. 1/2" will be for the clearance between the bottom edge of the panel or door and the sill or floor. 1-5/8" will be from the top edge of the window or door to the center of the track. (Figure 1).

2. Using a level and a pencil, make a line above the window or doorway the same length as the track.

3. Hold the track up to where the pencil line is visible through the holes in the track (Figure 2).

SUGGESTION:

Use pieces of double stick tape on the back of the track to help hold the track in place while completing steps 2 and 3.

4. Mark an intersecting line in the center of each track hole (Figure 2).

5. Take the track down, remove double stick tape (if used) and set the track aside.

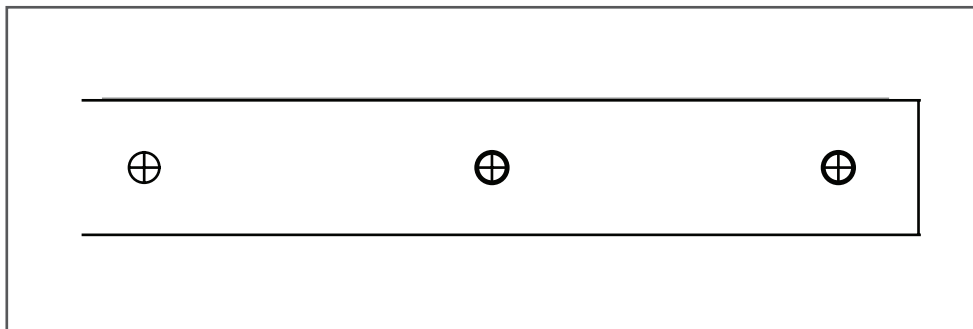


Figure 2

MINI BYPASS SYSTEM Assembly Instructions

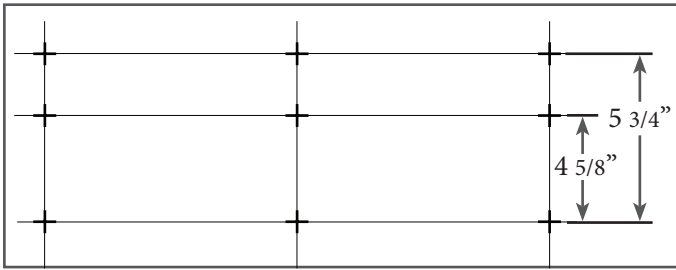


Figure 3

6. Make two marks above each mark made with the track, one 4-5/8" above the original mark, the other 5-3/4" above the original mark (Figure 3).

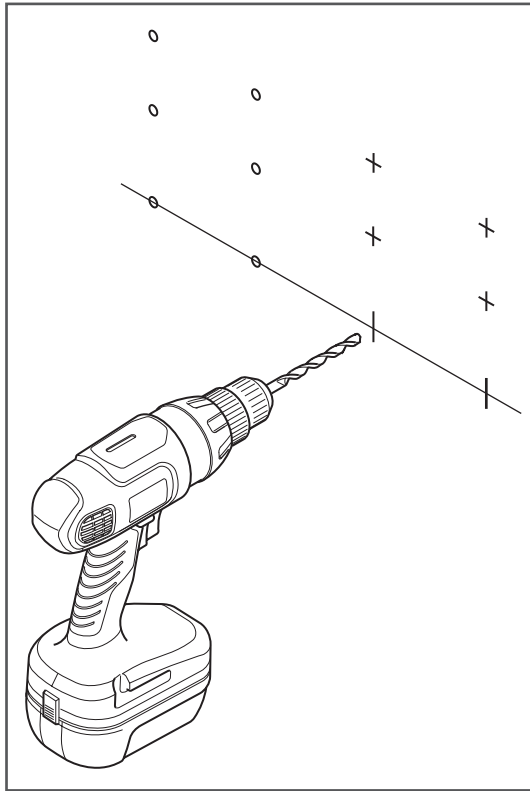


Figure 4

7. Drill out the marked holes using a drill with a 1/4" drill bit (Figure 4).

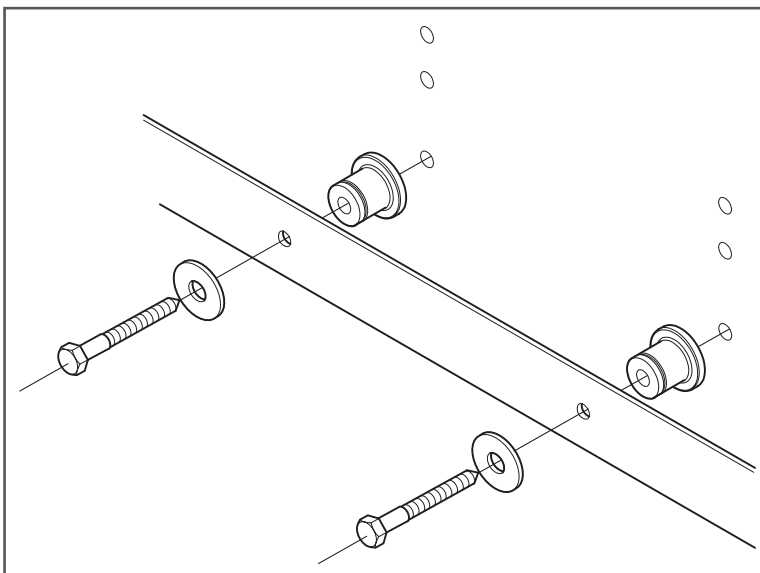


Figure 5

8. Install spacers and one rail in the bottom holes closest to the panel or door using lag screws and washers (provided) (Figure 5).

NOTE:

The bypass bracket may need to be adjusted so panels or doors will slide without striking each other. Loosen the nut (a.) from the bolt (b.) using a 7/16" combination wrench. Slide the bracket pieces to the desired position, then tighten each nut.

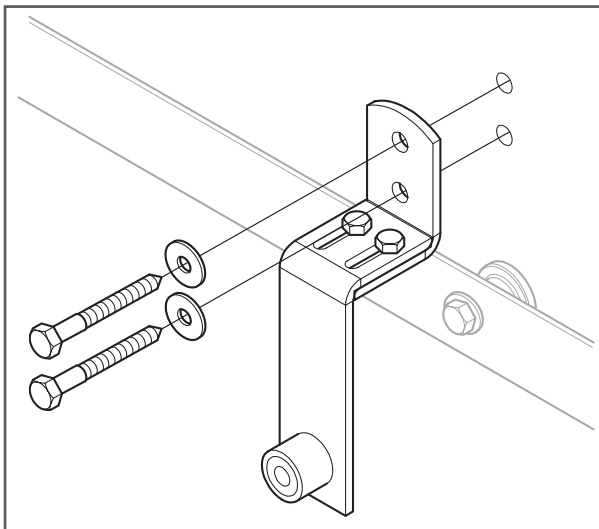
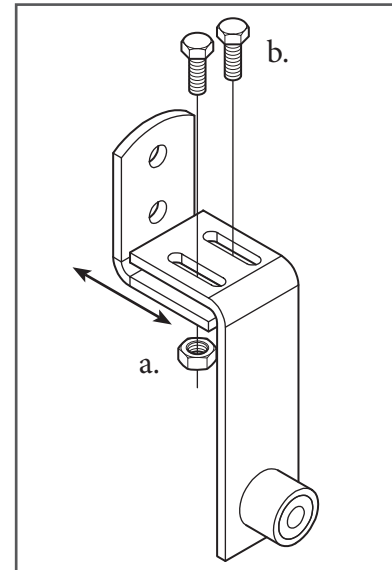


Figure 6

9. Install bypass brackets with a socket wrench and 9/16" socket, using lag screws and washers (provided) in the top two holes above the rail (Figure 6). Take care to not overtighten to avoid damaging the wall and stud.

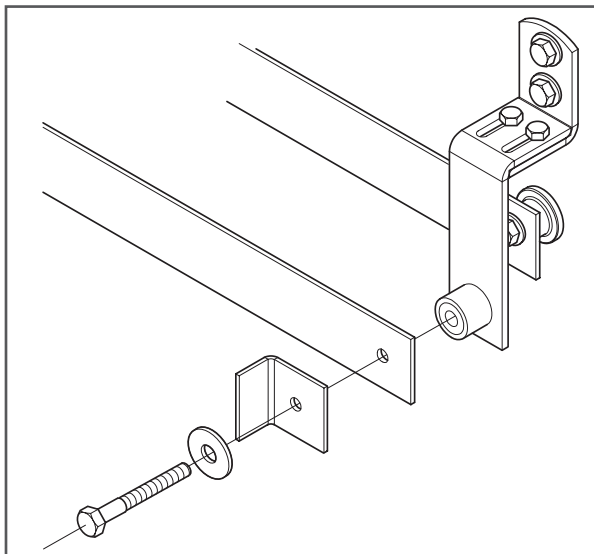


Figure 7

10. Attach one end of the second track to the bracket with one hard stop, lag bolt, and washer using a socket wrench with 9/16" socket (Figure 7). Do not tighten.

11. Repeat step 10 for the other end of the track. Do not tighten.

MINI BYPASS SYSTEM Assembly Instructions

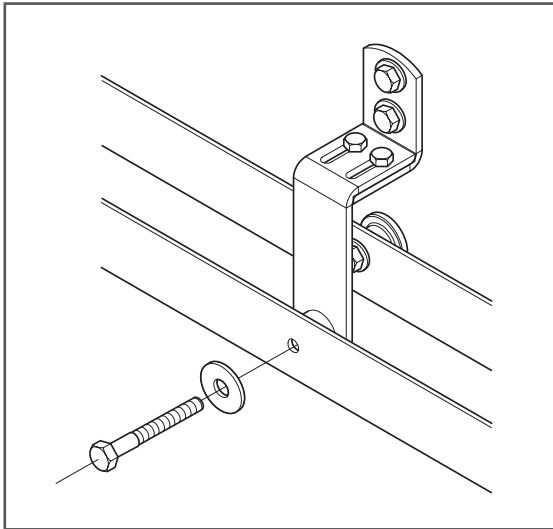


Figure 8

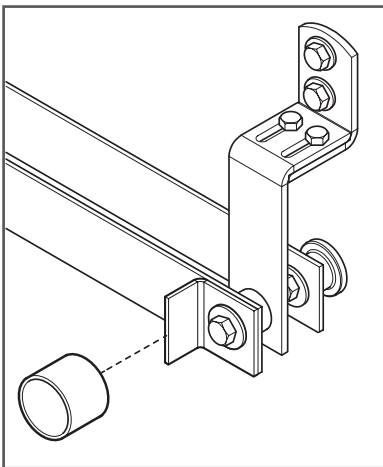


Figure 9

15. Hang the panels or doors (Figure 10).

12. Install track to the remaining brackets using lag bolts and washers (provided). Do not tighten until all lag bolt and washers have been installed (Figure 8).

13. Tighten all lag bolts once all hardware has been attached. Do not overtighten. Overtightening can damage tracks and brackets.

14. Stretch rubber bumper (provided) over hard stop. Repeat for the hard stop on the other end of the track (Figure 9).

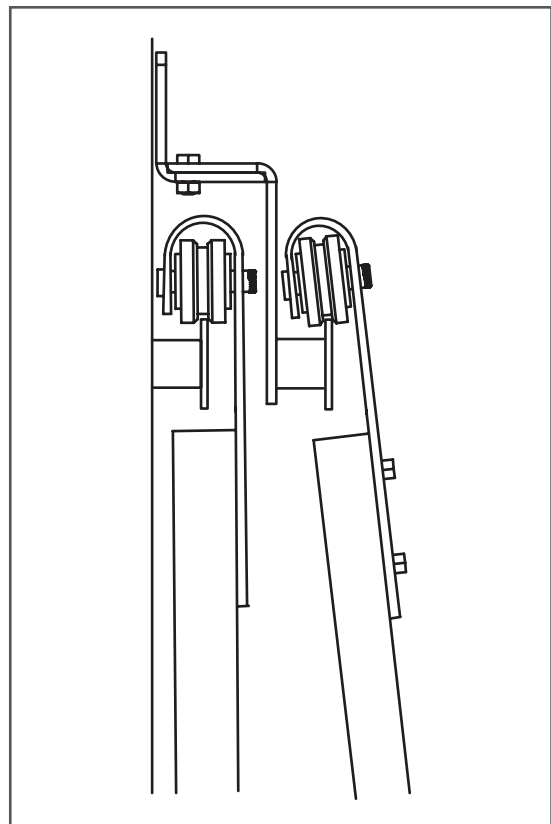


Figure 10

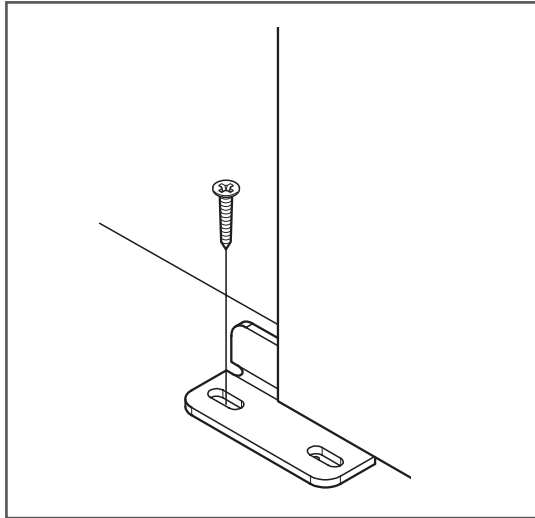


Figure 11

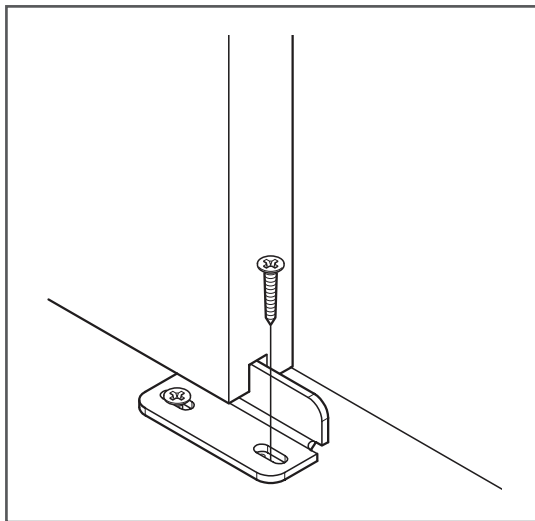


Figure 12

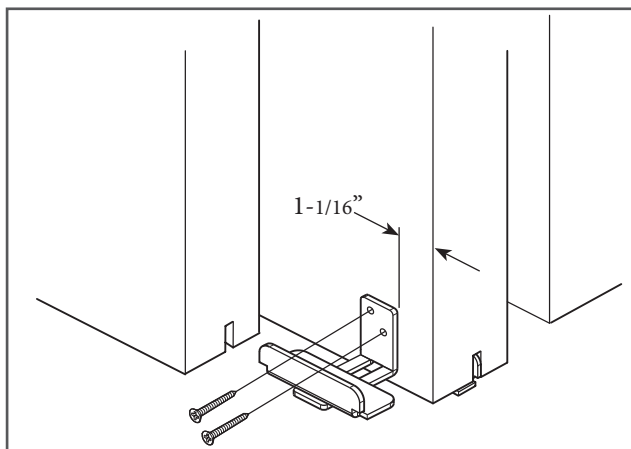


Figure 13

PANEL/DOOR GUIDE INSTALLATION

16. With the panel or door in the closed position, ensure the panel or door is hanging straight using a bubble level.

17. Position the Door Guide part way into the groove in the bottom of the panel or door (Figure 11).

SUGGESTION:

Use double stick tape on the bottom of the door guide to hold the guide in place.

18. Install the Door Guide using a 1" phillips screw (provided) and a drill with a phillips bit.

19. Slide the panel or door toward the open position until the other side of the Door Guide is exposed.

20. Install the second 1" phillips screw (provided) using a drill with a phillips bit (Figure 12).

COME -ALONG PANEL/DOOR GUIDE INSTALLATION

21. Slide both panels or doors toward the open position, sliding the front panel or door past the back for access to the back panel or door lower edge (Figure 13).

22. Mark a line 1-1/16" from the edge of the panel or door (Figure 13).

SUGGESTION:

Use double stick tape on the back of the Come-Along Door Guide to hold the guide in place.

23. Align the Come-Along edge to the pencil line and slightly above the panel or door's bottom edge to prevent scraping on the floor. Ensure that the groove from the front panel or door can pass over the Come-Along.

24. Install the Come-Along with two phillips screws (provided) using a drill with a phillips bit.

PANEL/DOOR END PLATE INSTALLATION

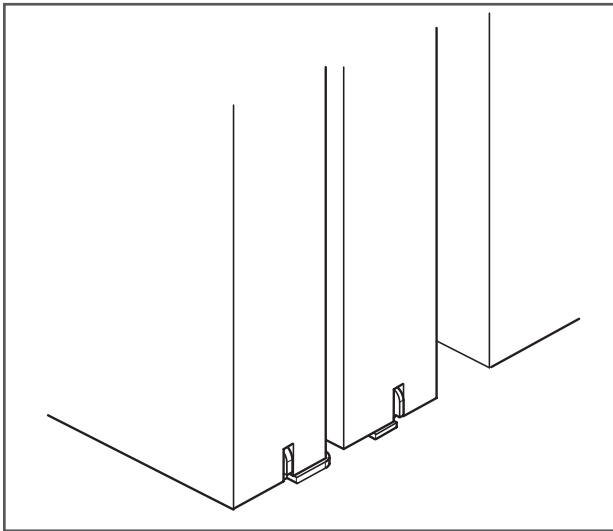


Figure 14

25. Position panels or doors over door guides as shown (Figure 14).

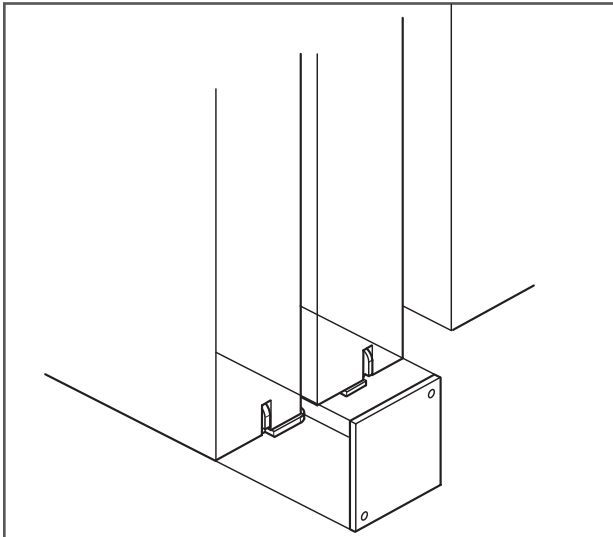


Figure 15

26. Position the End Plate on the bottom edge of the panel or door, aligning the plate with the side and bottom edges of the door (Figure 15).

SUGGESTION:
Use double stick tape on the back of the End Plate to hold the plate in place.

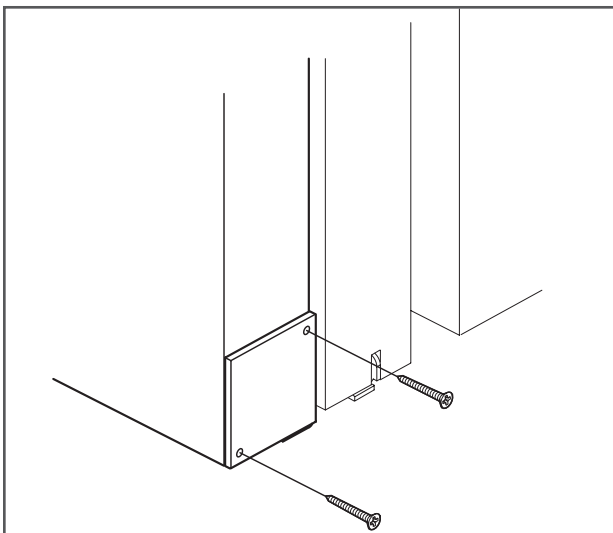


Figure 16

27. Install plate with two flat head Phillips screws (provided) and a drill with a Phillips bit (Figure 16).

28. Repeat steps 25 through 27 for the other end of the panel or door.

WE LOVE WHAT YOU ARE DOING WITH THE PLACE

**CONGRATULATIONS ON YOUR DECISION TO BRING HOME
AN AMERICAN MADE PRODUCT OF THE HIGHEST QUALITY.
WE HOPE YOUR MINI BYPASS TRACK SYSTEM BRINGS ART AND
FUNCTION INTO YOUR LIFE.**

**DESIGNED AND CRAFTED
ENTIRELY IN THE**

U.S.A.



**DON'T BE A STRANGER. FOLLOW US
ON SOCIAL MEDIA.**



support@rusticahardware.com