

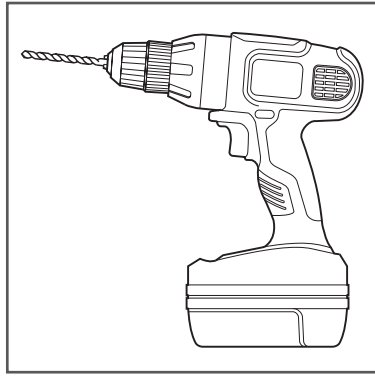


SOFT CLOSE SYSTEM

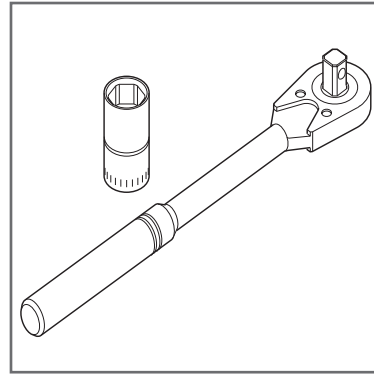
INSTALLATION INSTRUCTIONS



SOFT CLOSE SYSTEM Recommended Tools

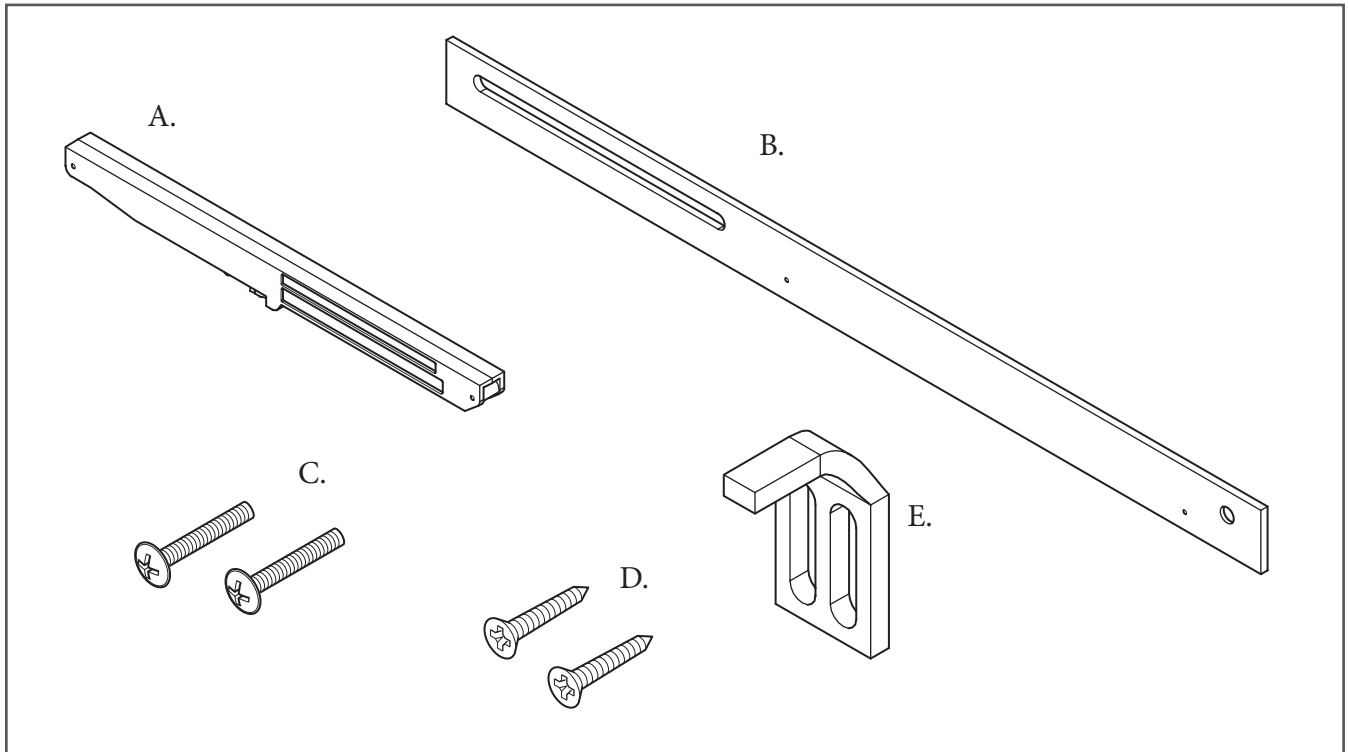


Drill with 1/8" Drill Bit and
Phillips Bit



Socket Wrench with
9/16" Socket

SOFT CLOSE SYSTEM Parts



PARTS	QTY
Soft Close Mechanism	2
Mounting Bracket	1
Pan Head Screw	4
Phillips Screw	4
Stop Tab	2

SOFT CLOSE SYSTEM Installation Instructions

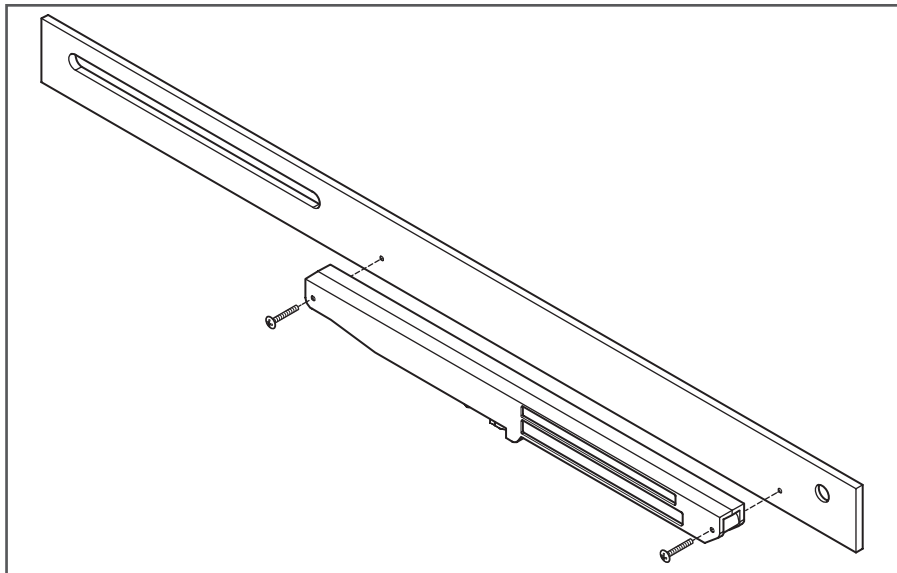


Figure 1

1. Attach the Soft Close Mechanism (A) to The Mounting bracket (B) using two pan head screws (C) (Figure 1). Set aside.

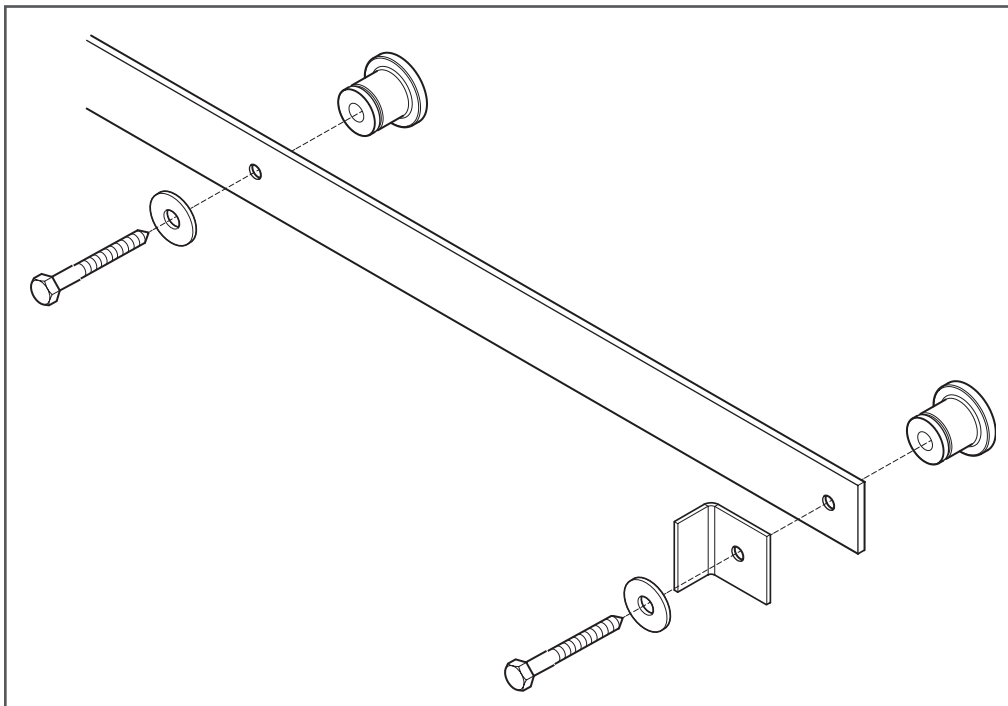


Figure 2

2. Remove the last two lag screws, washers, and hard stop from the track (Figure 2).

3. Reduce the length of last two spacers by rotating clockwise about two turns (Figure 3).

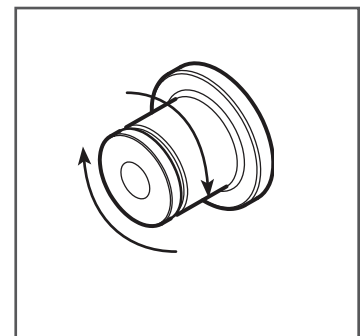


Figure 3

SOFT CLOSE SYSTEM Installation Instructions

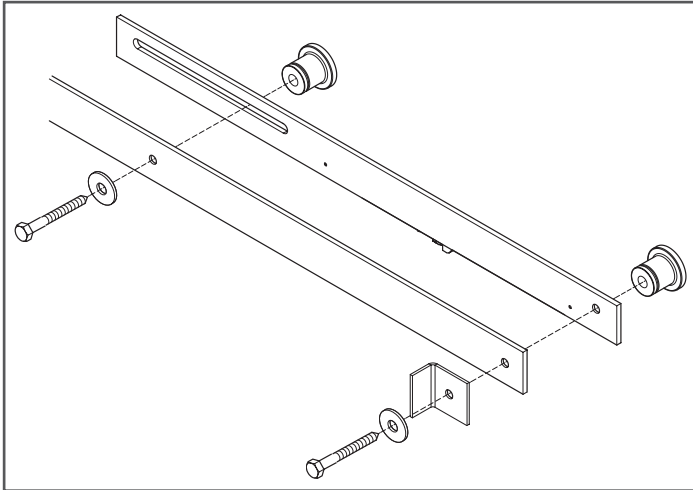


Figure 4

4. Place the soft close mounting bracket and mechanism against the back of the track with the soft close mechanism facing the wall (Figure 4).

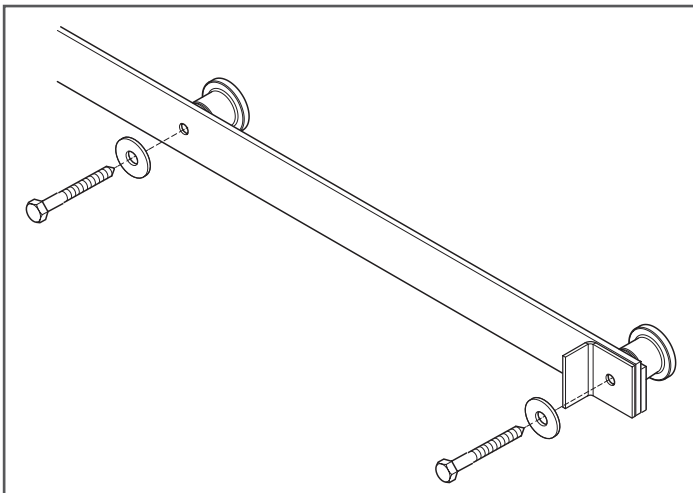


Figure 5

5. Reinstall the lag screws, washers and hard stop (Figure 5).

6. Slide the door to the closed position.

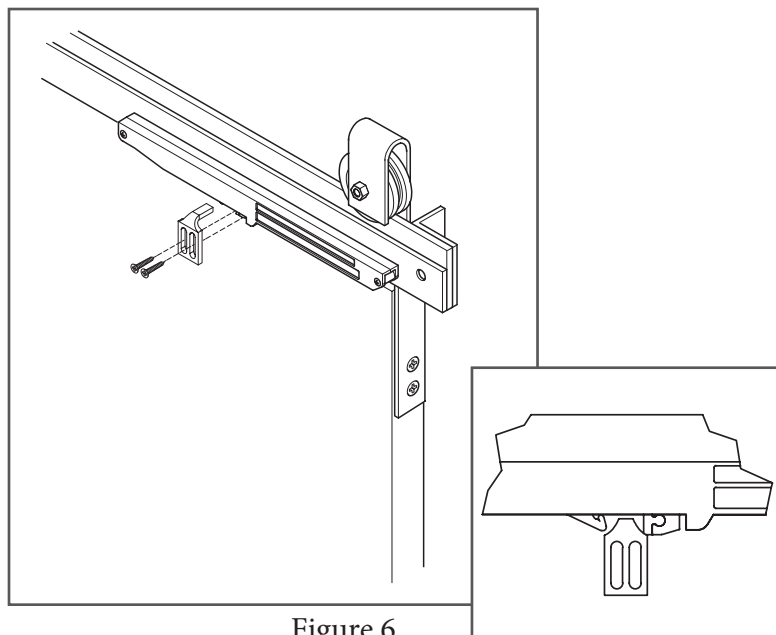


Figure 6

7. Align the stop tab on the top edge of the door to interact with the soft close mechanism (Figure 6).

SUGGESTION:
Use double stick tape to hold the tab in place when making adjustments and installing.

8. Install the tab on the door using the two Phillips head screws (provided) (Figure 6).

9. Repeat steps 1 through 8 for the opposite side of the track.

WE LOVE WHAT YOU ARE DOING WITH THE PLACE

CONGRATULATIONS ON YOUR DECISION TO BRING HOME
AN AMERICAN MADE PRODUCT OF THE HIGHEST QUALITY.
WE HOPE YOUR SOFT CLOSE SYSTEM BRINGS ART AND FUNCTION
INTO YOUR LIFE.

DESIGNED AND CRAFTED
ENTIRELY IN THE

U.S.A.



DON'T BE A STRANGER. FOLLOW US
ON SOCIAL MEDIA.



support@rusticahardware.com