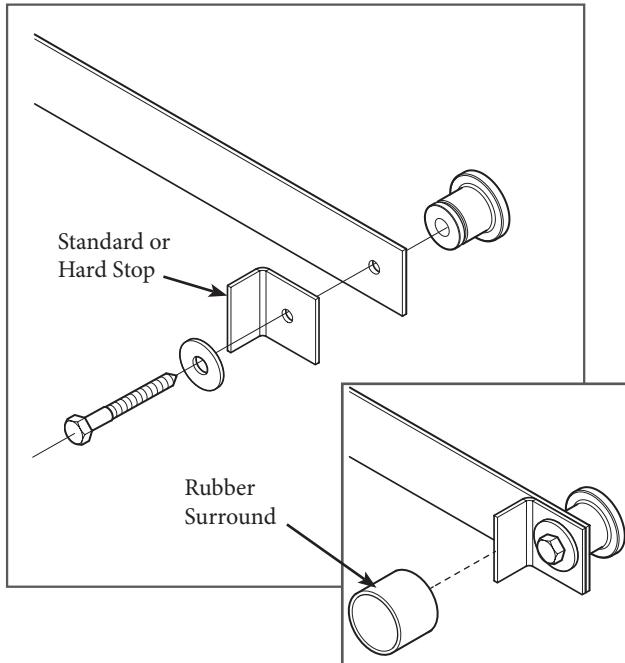




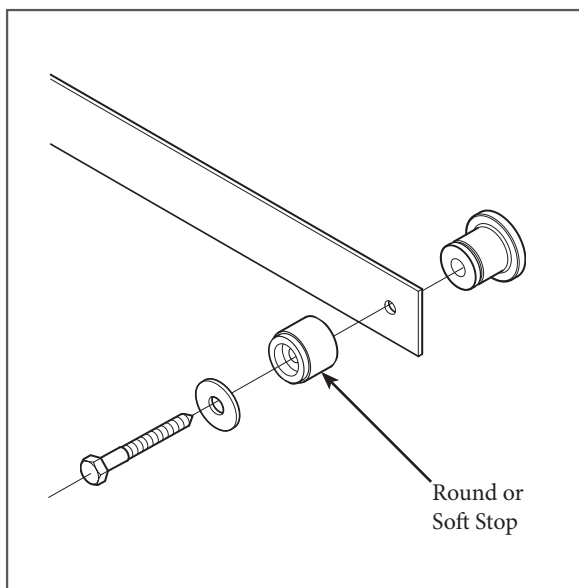
STOP STYLE

STANDARD OR HARD STOP



The Standard or Hard Stop comes with a rubber surround to provide a cushion when completely opening or closing the door. This stop is recommended for hangers with a vertical edge. It is not recommended for the following hangers: Archer, Triangle, Double Triangle, Rod Iron, Royal, or Twig.

ROUND OR SOFT STOP WITH LAG



The Round or Soft Stop is recommended for hangers without a vertical edge. It may also be used for vertical edge hangers and depends on personal preference for visual appeal.