



# DIY DOOR SYSTEM

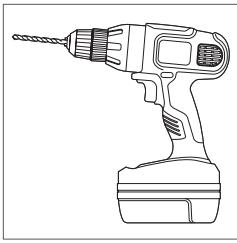
## ASSEMBLY INSTRUCTIONS

DIY Door and Hardware instructions are included. If you only purchased the DIY door and plan to use your own hardware the hardware instruction may not apply. DIY Door and Hardware may be purchases separately or together.

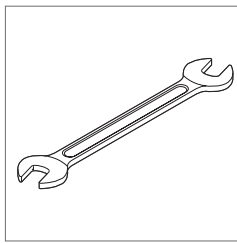


**RUSTICA**

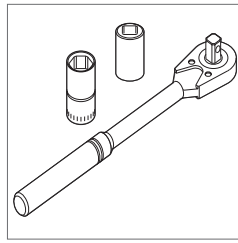
## DIY DOOR SYSTEM Recommended Tools



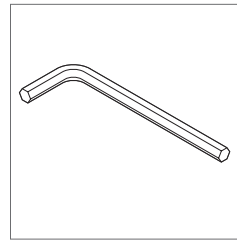
Drill with 1/8", 1/4", and 3/8" Drill Bits, 1-1/8" Forstner Bit or 1-1/8" Spade Bit, and Phillips Bit



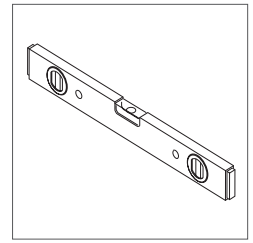
9/16" and 5/8" Combination Wrench



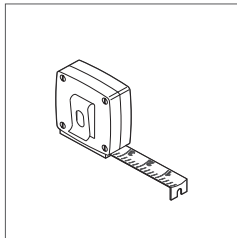
Socket Wrench with 9/16" and 5/8" Sockets



5.5mm or 7/32" Allen Wrench



Level



Tape Measure

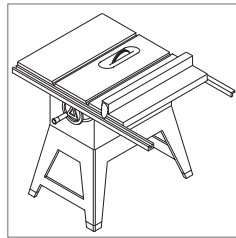
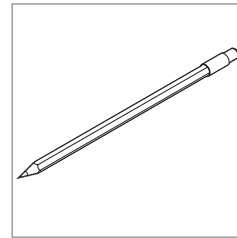
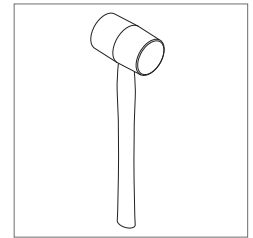


Table Saw

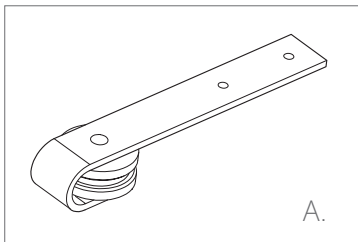


Pencil

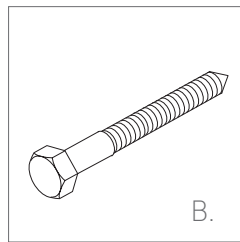


Rubber Mallet

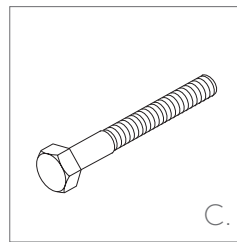
## DIY DOOR SYSTEM Parts



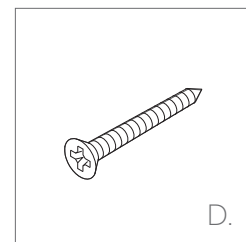
A.



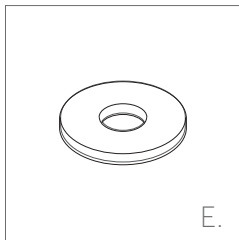
B.



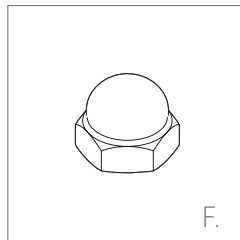
C.



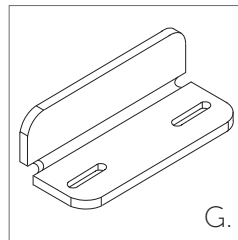
D.



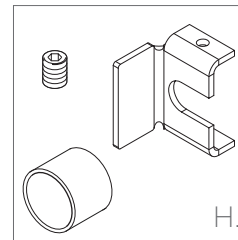
E.



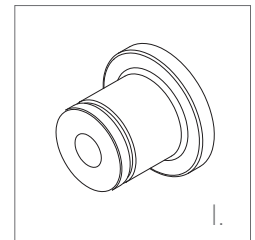
F.



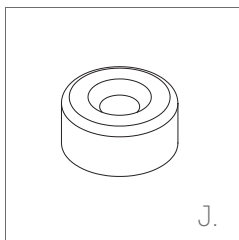
G.



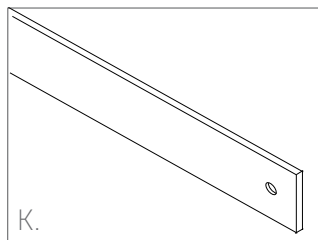
H.



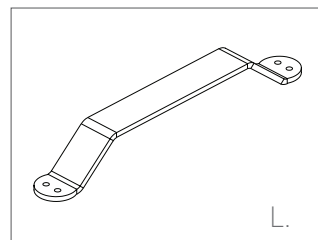
I.



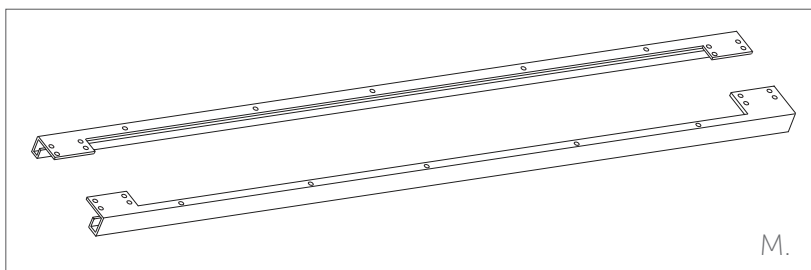
J.



K.



L.



M.

### PARTS

- A. Hanger Assembly
- B. Lag Screw
- C. Lag Bolt
- D. Phillips Head Screw
- E. 1" Washer
- F. Acorn Nut
- G. Door Guide
- H. Adjustable Hard Stop & Rubber Bumper
- I. Spacer
- J. Anti-Jump Block
- K. Track
- L. Pull
- M. Left & Right Stile



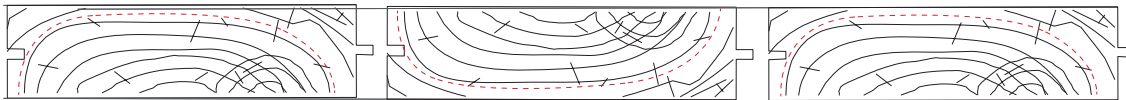
## FIRST THINGS FIRST

### THIS KIT IS AN ENABLER

You have complete creative control over the kind of wood and finish you would like to use in your door. That being said, take into consideration wood thickness and length. The wood you choose should not be more than 3/4" in thickness to fit in the stiles. It is recommended that planks should be tongue and groove for greater strength, but it is not necessary. Also remember that the length will be determined by the size of doorway being covered. We recommend plank widths of no more than three feet to avoid wood warping and damaging the stiles.

### NOTE:

This DIY kit comes in various sizes. The instructions have been written for the average single door size; but larger doors may need more wood and fastener parts.



### NOTE:

Always alternate the direction of the wood grain when assembling slats. This will add strength to the assembly and help prevent warpage.

### NOTE:

The following should be a 'dry' assembly. Do not use adhesives in when putting this door together.

**Use teamwork. We recommend two people for this build.**



## PREPARING BOTTOM SLAT

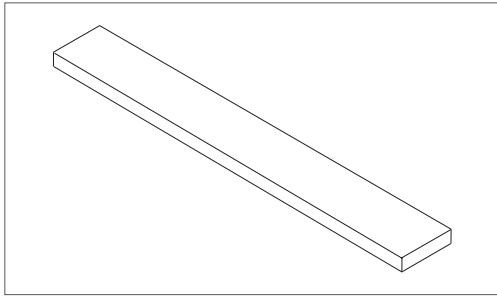


Figure 1

1. Select the slat that will be the bottom slat of the door (Figure 1).

**NOTE:**

Ensure the bottom slat is tall enough to accept a 3/4" groove.

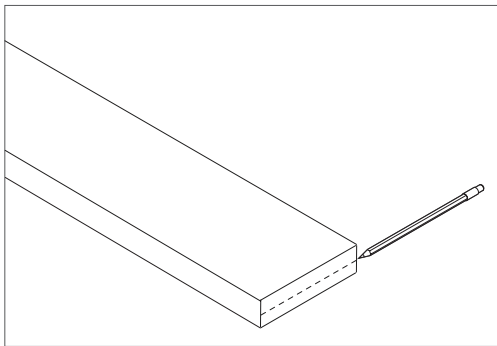


Figure 2

2. Using a tape measure and pencil, draw a vertical line on the end of the slat, ensuring the line on the slat is in line with the slot in the metal stile (Figure 2).

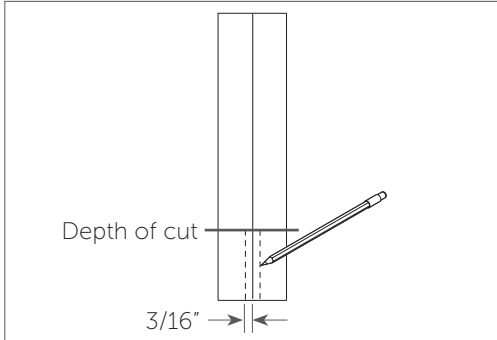


Figure 3

3. Draw two vertical lines, one on each side of the first line, 3/16" away from the first line (Figure 3). This will show the area to cut away with the table saw.

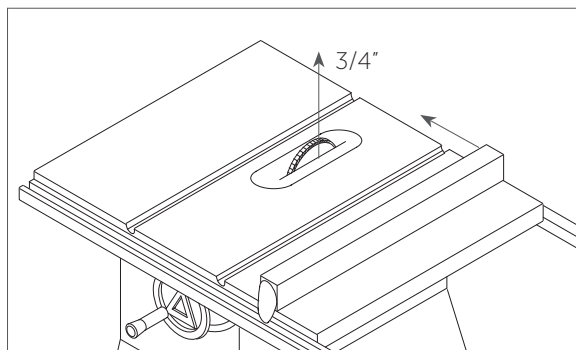


Figure 4

4. Set the table saw blade to a 3/4" depth (Figure 4).
5. Set the fence to cut just inside one of the outer lines (Figure 4).
6. Run the saw blade through the bottom of the slat, repeating the process and moving the fence until the width of the groove equals 3/8".



## SLAT AND STILE ASSEMBLY

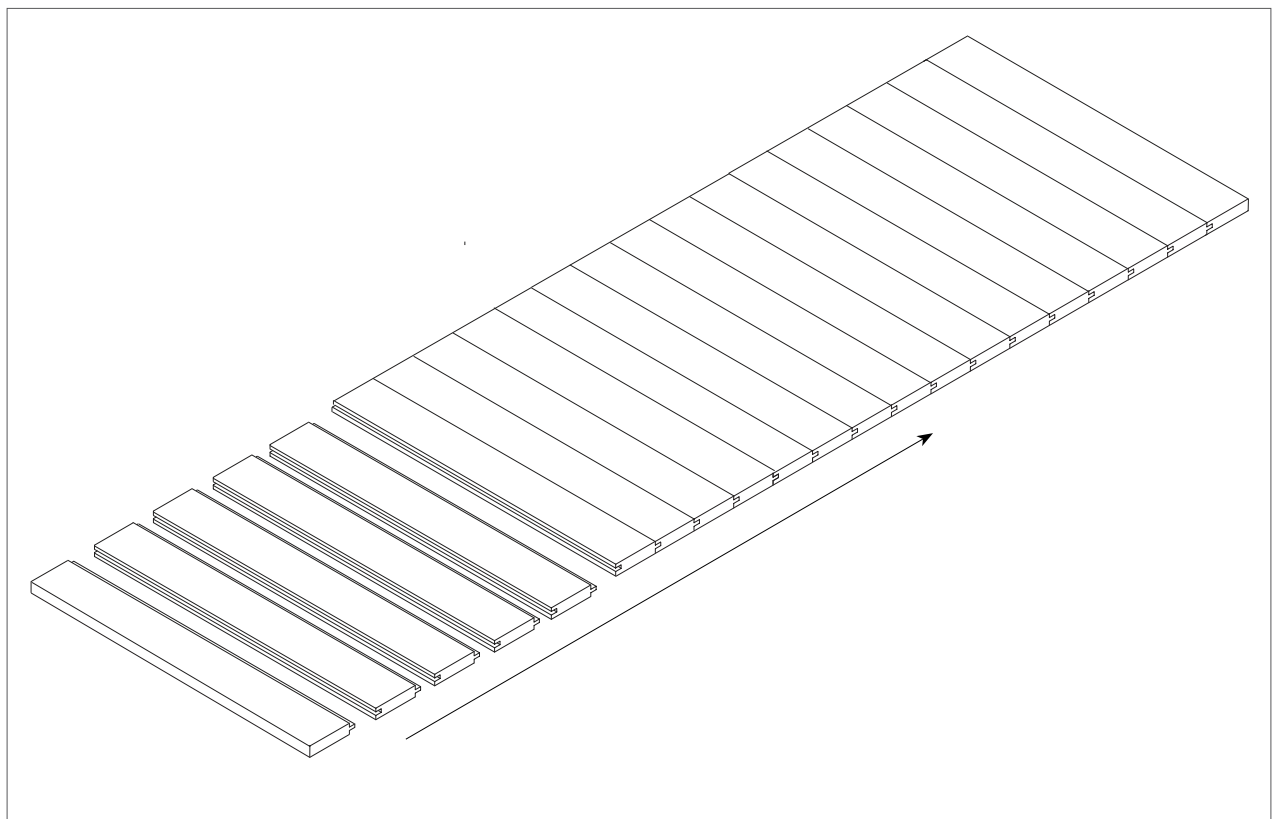
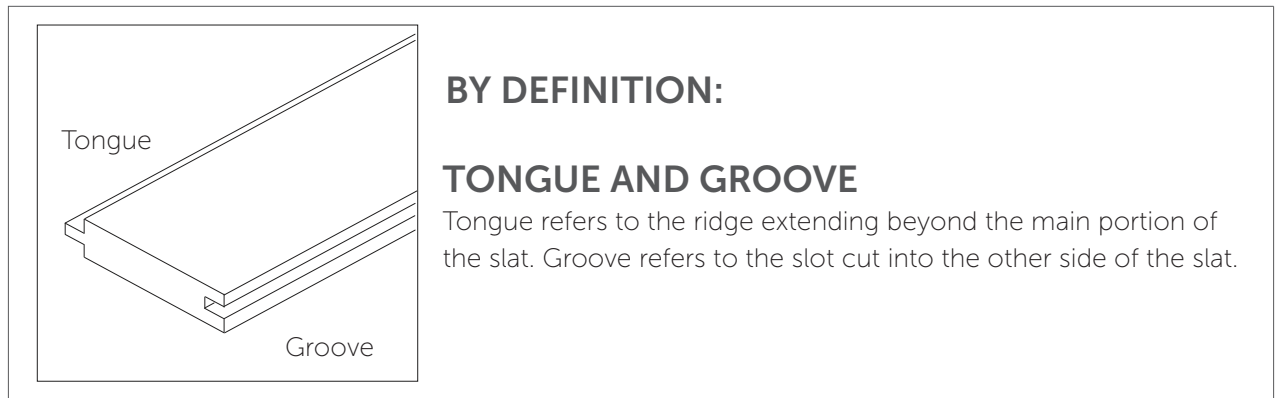


Figure 1

### FOR TONGUE & GROOVE ASSEMBLY

1. On a flat, clean, surface, lay slats upside down with the groove facing toward the bottom of the door assembly. Assemble by fitting the tongue into the groove of each piece, tapping them together with a rubber mallet (Figure 1).

### FOR PLANK ASSEMBLY

1. On a flat, clean, surface, lay slats upside down with edges pressed together (Figure 1).



## DIY DOOR SYSTEM Assembly Instructions

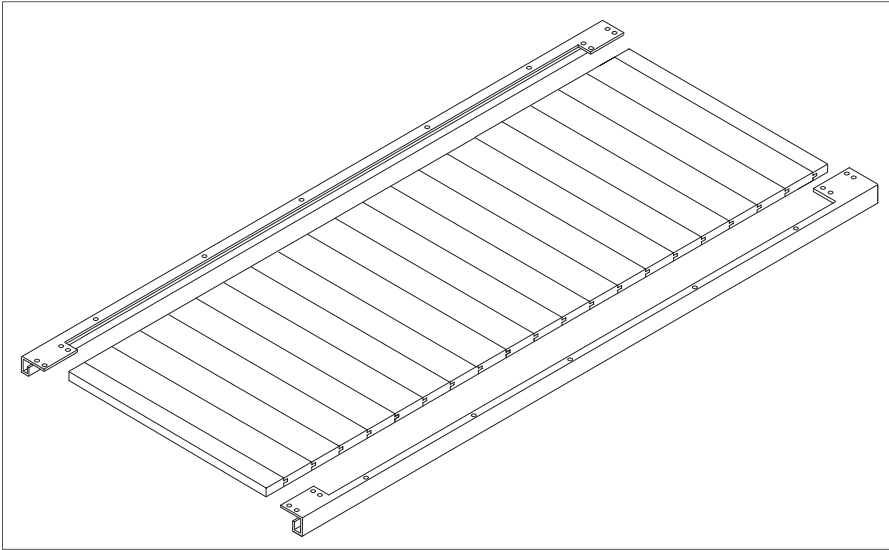
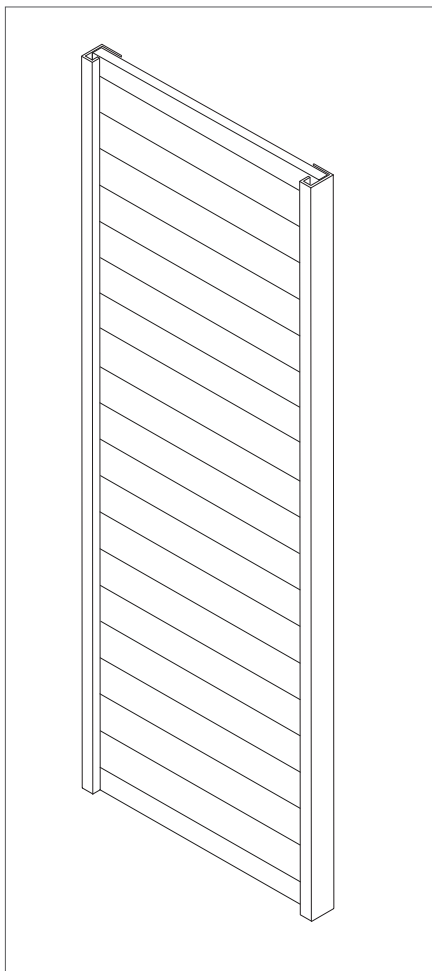


Figure 2

2. Attach stiles (L) with phillips screws (D) using a drill with a phillips bit to the back of the door (Figure 2).



The door is now ready for a pull installation or to be hung with the hanger.



## PULL INSTALLATION

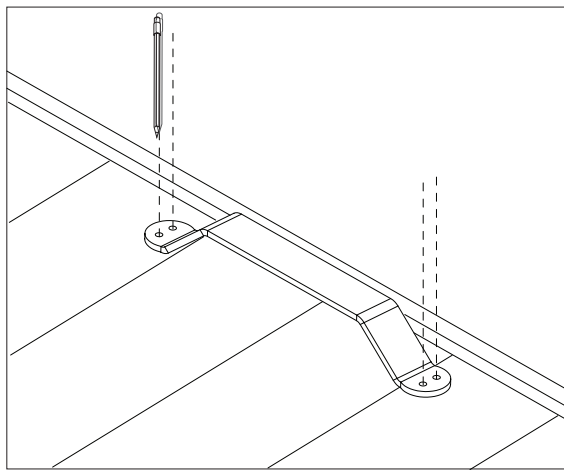
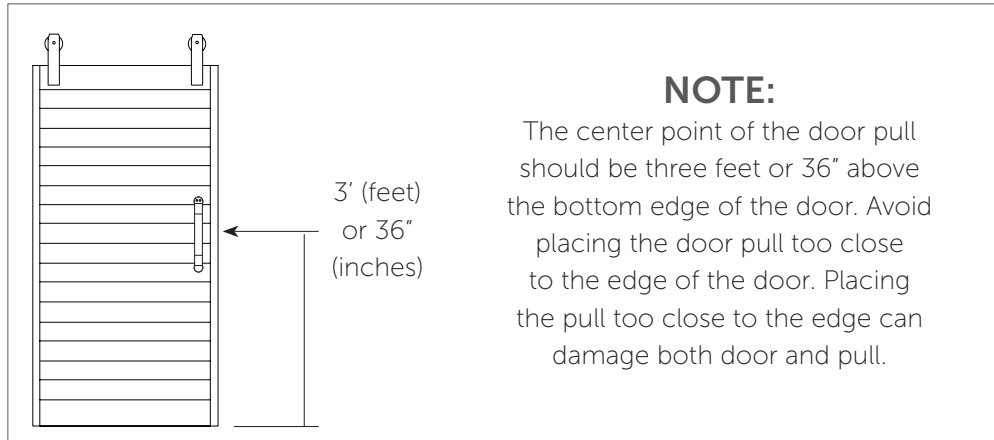


Figure 1

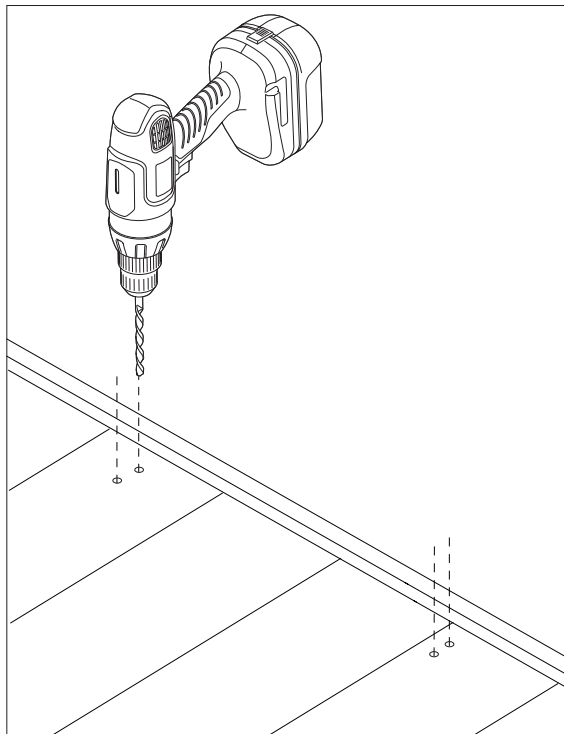


Figure 2

1. Lay the door (A.) facing up on a clean, stable surface.
2. Measure 3' (feet) or 36" (inches) from the bottom of the door to where the center of the pull will be (see NOTE above). Using a pencil, lightly draw a vertical line on the wood.
3. Lay the Door Pull (M.) on the surface of the wood, centering the pull on the pencil line. Using a pencil, mark the placement of the pull's screw holes on the door. Set the pull aside (Figure 1).
4. Using a drill with an 1/8" bit, drill each mark, being careful to not drill through the door (Figure 2).
5. Using a drill with a phillips bit, attach the door pull using phillips head screws (D.).



## HANGER INSTALLATION

### NOTE:

Doors using Floor Mount Door Guides will need a groove on the bottom. Ensure this groove is on the opposite end of the Door Hanger Installation.

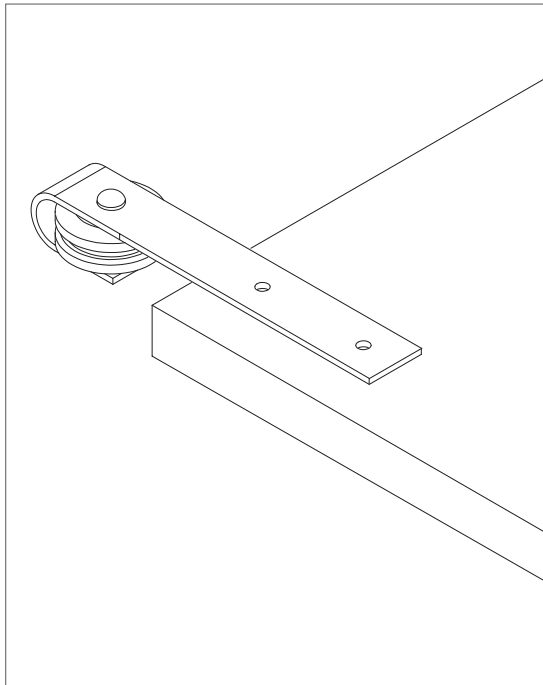
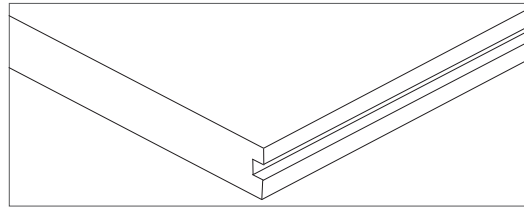


Figure 1

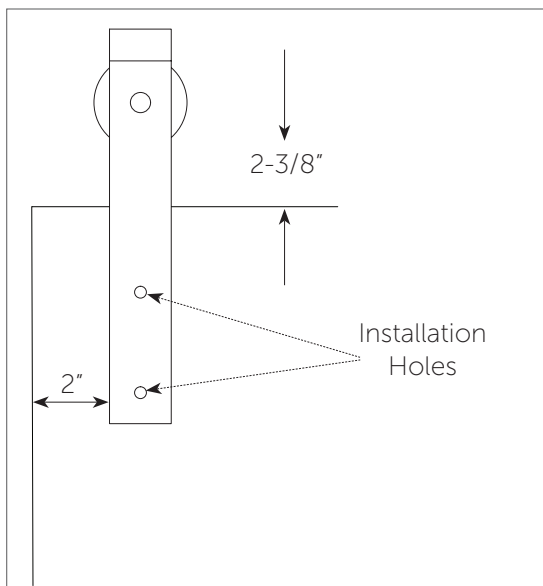


Figure 2

1. Lay the door with the front facing up on a flat, level surface.
2. Place the hanger on the door (Figure 1).
3. Adjust the placement of the hanger for a 2-3/8" gap between the top of the door and the bottom edge of the wheel. Ensure the side of the hanger is resting 2" from the edge of the door (Figure 2).
4. Mark the center of each installation hole with a pencil. (Figure 2).
5. Repeat steps 2-4 for the opposite end of the door. Set the hangers aside.





# DIY DOOR SYSTEM Assembly Instructions

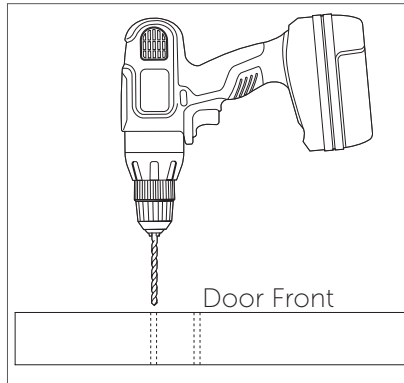


Figure 3

6. Drill two pilot holes all the way through the door for each hanger using a drill with an 1/8" drill bit (Figure 3).

7. Turn the door over. Using a 1-1/8" Forstner bit\*, drill a 7/16" deep hole into each pilot hole (Figure 4).

\*A 1-1/8" Spade bit may be used in place of a Forstner bit.

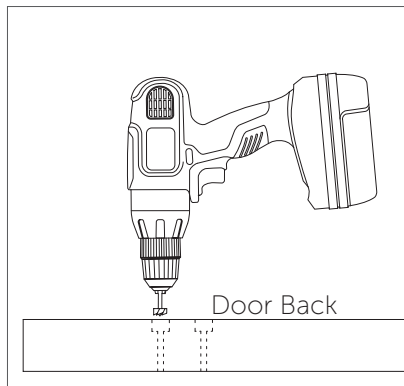


Figure 4

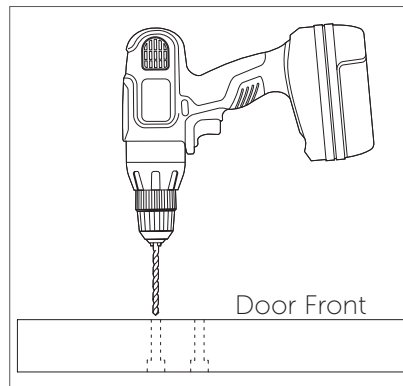


Figure 5

8. Turn the door over, returning it to the face-up position. Drill all the way through the pilot holes using a drill with a 1/4" drill bit (Figure 5).

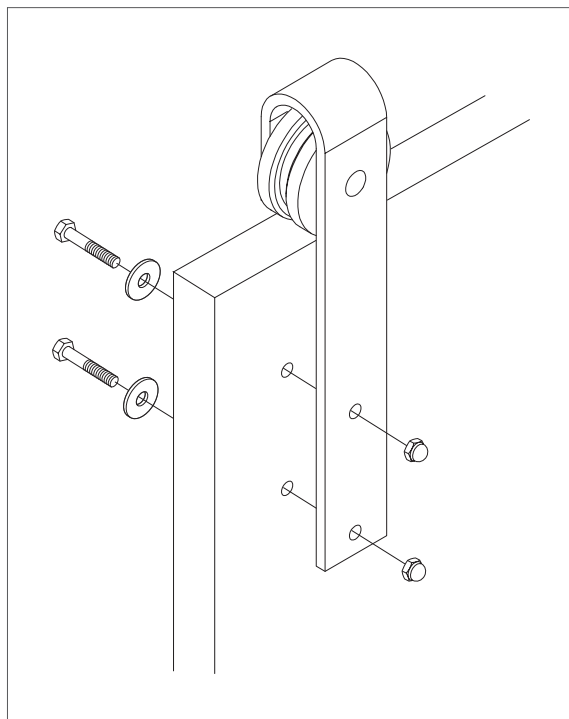


Figure 6

9. Install the hangers to the front of the door using lag bolts, washers, and acorn nuts (provided) (figure 6).



## FIRST THINGS FIRST

Check to see if the floor below the track area is level. If the floor rises more than 1/2" the door may rub or not slide open completely. If the floor is not level, measure from the highest point of the floor surface to the recommended track placement and adjust track placement accordingly.

Ensure the track will be installed onto wall studs. If wall studs are not lining up with the installation a header will be required to provide the necessary strength and stability for the track and door.

## TRACK & DOOR INSTALLATION

1. To determine where the track should be installed, first measure the height of the door, then add 2-1/8" to the door length. 1/2" will be for the clearance between the bottom edge of the door and the floor. 1-5/8" will be from the top edge of the door to the center of the track. (Figure 1).
2. Using a level and a pencil, make a line above the doorway the same length as the track.
3. Hold the track up to where the pencil line is visible through the holes in the track (Figure 2).

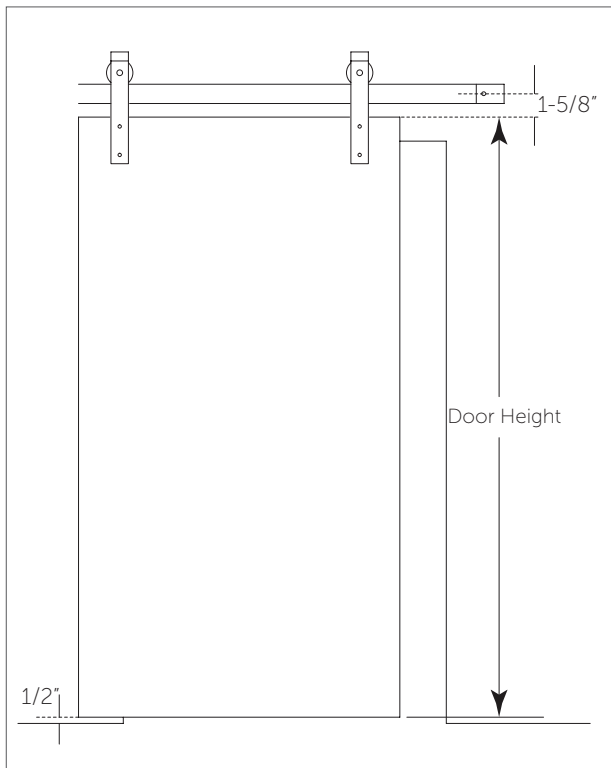


Figure 1

### SUGGESTION:

Use pieces of double stick tape on the back of the track to help hold the track in place while completing steps 2 and 3.

4. Mark an intersecting line in the center of each track hole (Figure 2).
5. Take the track down, remove double stick tape (if used) and set the track aside.

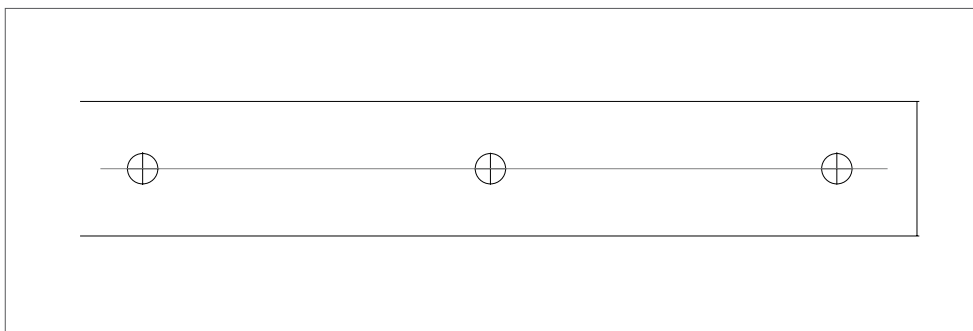


Figure 2



# DIY DOOR SYSTEM Assembly Instructions

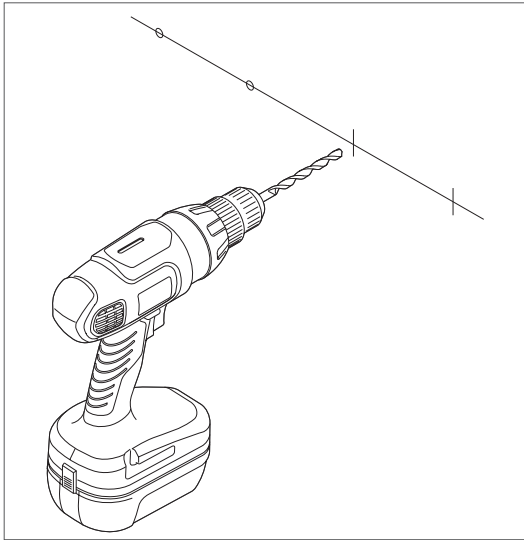


Figure 3

6. Drill out the marked holes using a drill with a 1/4" drill bit (Figure 3).
7. Attach one end of the track to the wall with one adjustable hard stop (H.) (see NOTE), one lag screw (B.), and one washer (E.) using a socket wrench with 9/16" socket (Figure 4). Do not tighten.

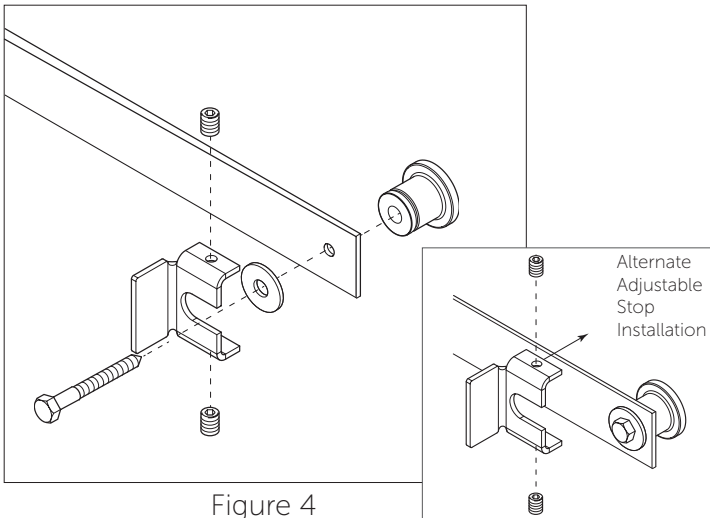


Figure 4

## NOTE:

The adjustable hard stop can be placed wherever desired on the track. If placing in line with a spacer, always install between the lag screw and washer.

8. Insert two set screws (provided) into the top and bottom of the adjustable hard stop using an allen wrench (Figure 4). Do not tighten if in line with a spacer.
9. Repeat step 7 and 8 for the other end of the track.

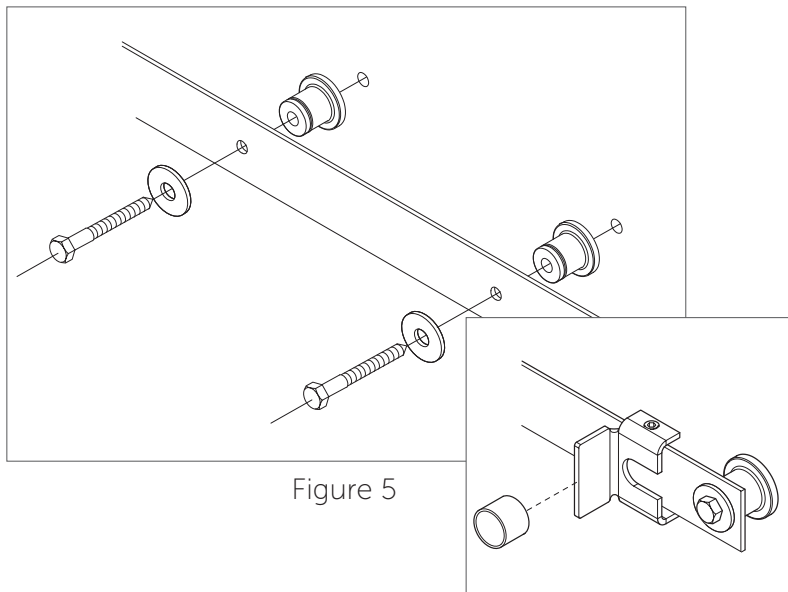


Figure 5

Figure 5A

10. Install remaining spacers with lag screws and washers using a 9/16" socket wrench (Figure 5). Tighten all lag screws and set screws if in line with a track spacer.

11. Stretch rubber bumper (provided) over the adjustable hard stop. Repeat for the hard stop on the other end of the track (Figure 5A).



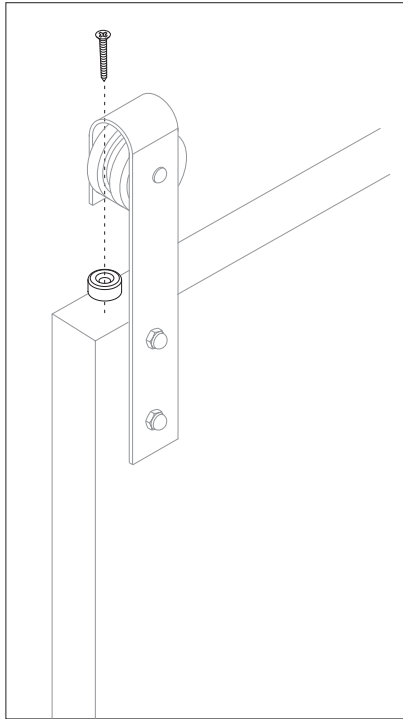


Figure 6

## ANTI-JUMP GUIDE INSTALLATION

12. Place the Anti-Jump block (J.) on the top of the door.
13. Install the block to the top of the door with phillips screw (provided) using a drill with a phillips bit (Figure 6).
14. Repeat steps 11 and 12 for the opposite end of the door.
15. Hang the door (Figure 7).

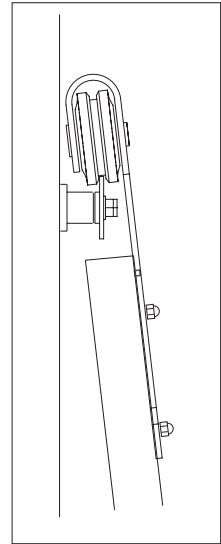


Figure 7

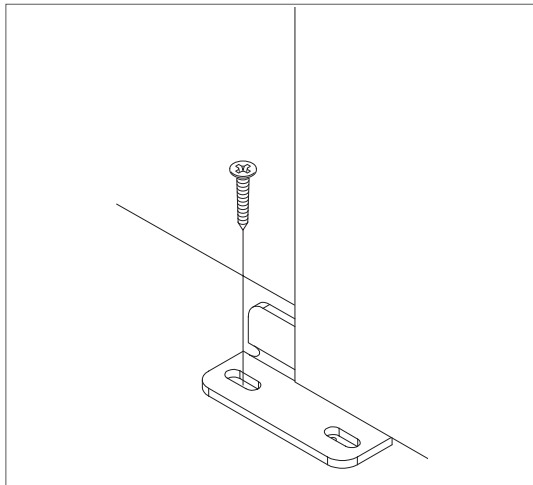


Figure 8

## DOOR GUIDE INSTALLATION

16. With the door in the closed position, ensure the door is hanging straight using a bubble level.
17. Position the Door Guide (G.) part way into the groove in the bottom of the door (Figure 8).

### SUGGESTION:

Use double stick tape on the bottom of the door guide to hold the guide in place.

18. Install the Door Guide using a 1" phillips screw (provided) and a drill with a phillips bit.
19. Slide the door toward the open position until the other side of the Door Guide is exposed.
20. Install the second 1" phillips screw (provided) using a drill with a phillips bit (Figure 9).

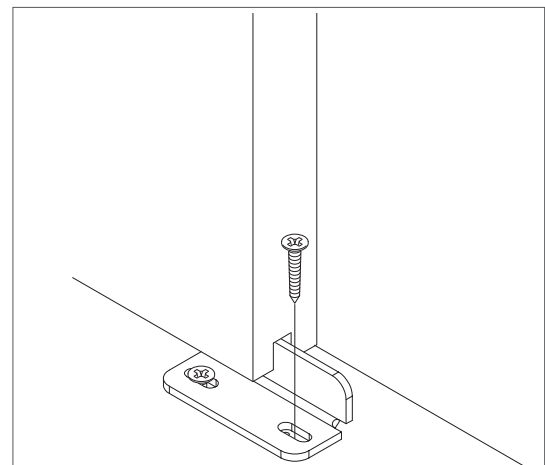


Figure 9

# WE LOVE WHAT YOU'RE DOING WITH THE PLACE

CONGRATULATIONS ON YOUR DECISION TO BRING HOME AN  
AMERICAN MADE PRODUCT OF THE HIGHEST QUALITY. WE HOPE YOUR  
DIY DOOR SYSTEM BRINGS ART AND FUNCTION INTO YOUR LIFE.

1-800-891-8312  
support@rustica.com  
www.Rustica.com

DESIGNED AND CRAFTED ENTIRELY IN THE  
**U.S.A.**



DON'T BE A STRANGER.  
FOLLOW US ON SOCIAL MEDIA.

