

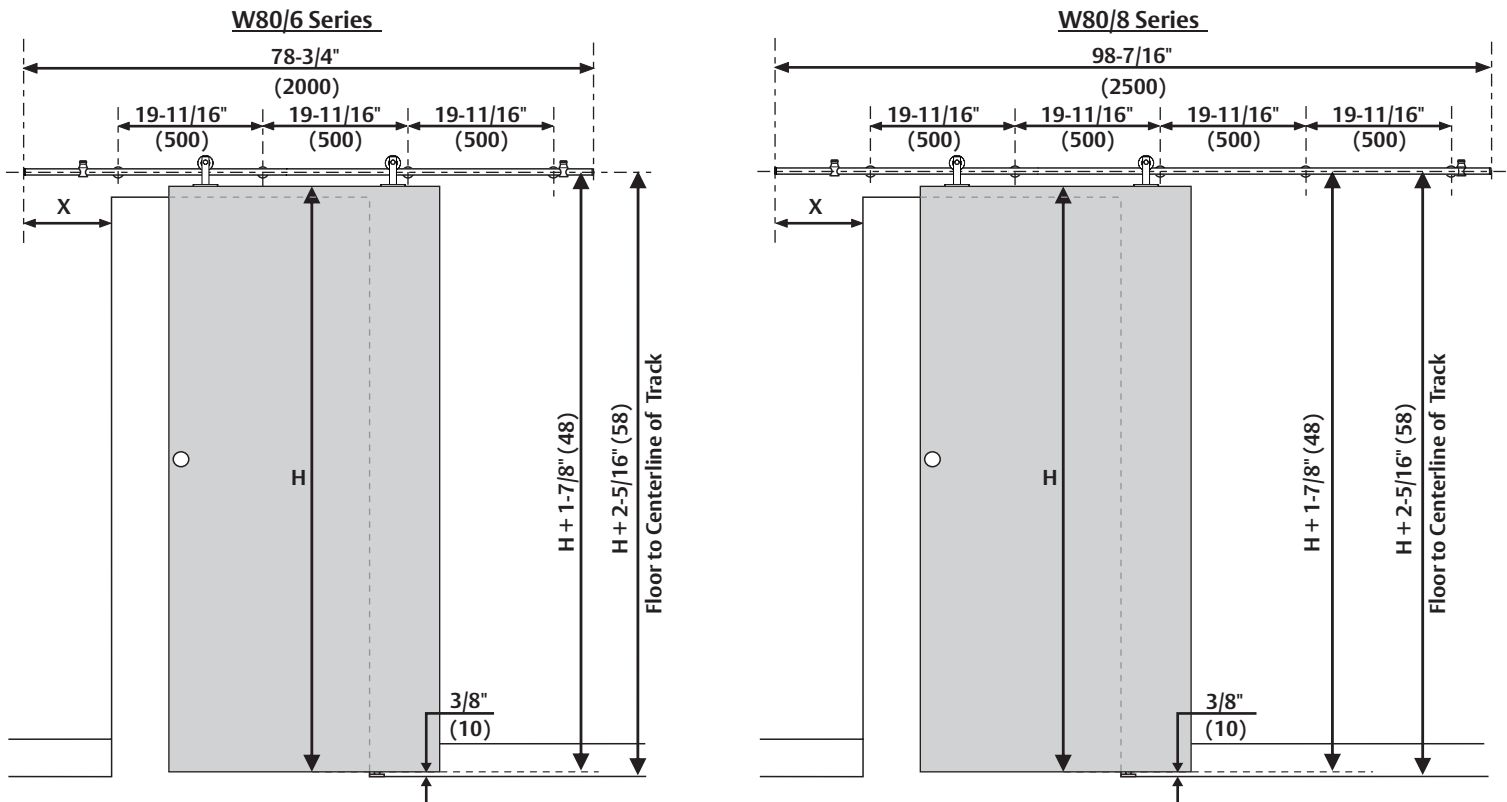
# Architectural Door Accessories

**ASSA ABLOY**  
Opening Solutions

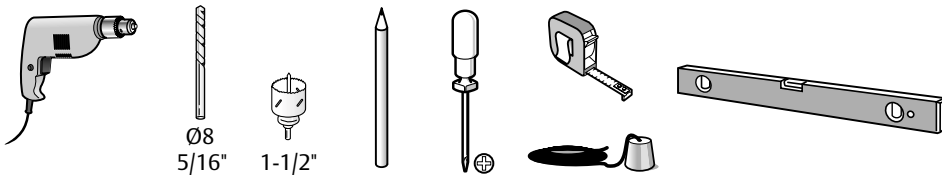
## Pemko W80 Series

Experience a safer  
and more open world

**WARNING: Must be installed into wall blocking.**  
If you have questions about what type of wall blocking is required, consult a structural engineer.



### Tools Required:

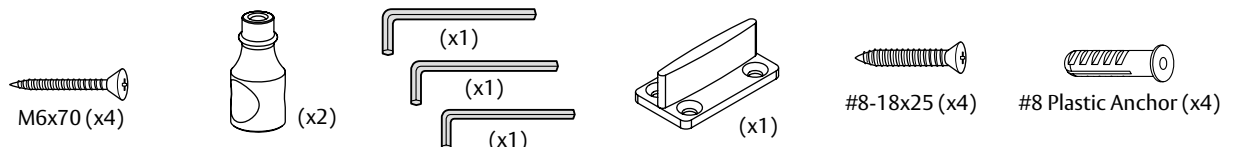
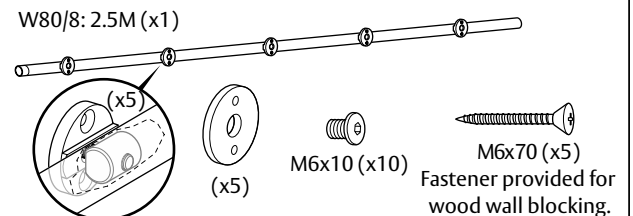
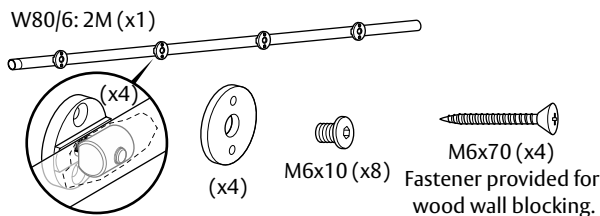
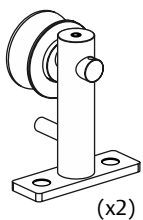


Dimensions shown: Inches (mm)

Notes:

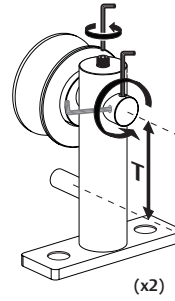
1. "X" = Door Overlap
2. Minimum door overlap on guide side is 2" (51).
3. **Must be installed into wall blocking. If you have questions about what type of wall blocking is required, consult a structural engineer.**
4. **IMPORTANT: If bracket fasteners are loosened, they must be re-tightened using a minimum of 11 ft lb of torque.**

### Parts:



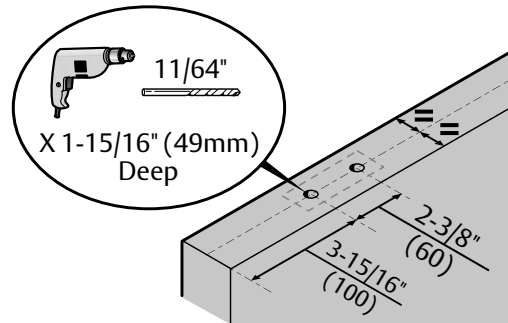
### 1. Prepare hanger.

Loosen set screw in top. Rotate shaft 180° with allen wrench.



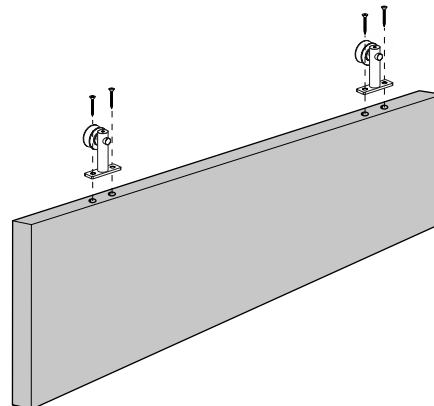
### 2. Prepare door for hangers.

Using Template provided, drill pilot holes centered in door thickness for hanger fasteners using a 11/64" bit.



### 3. Mount hangers to door.

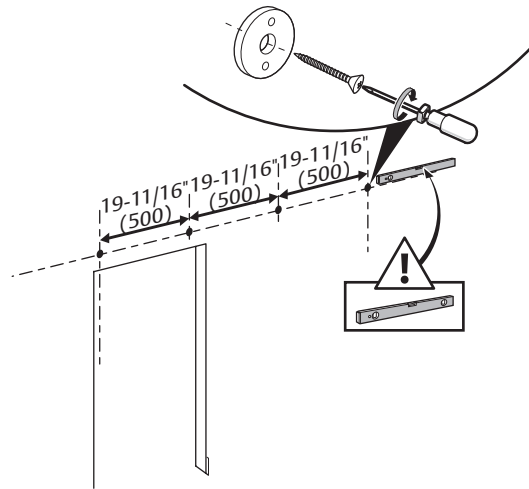
Attach hangers to door with M6x70 screws provided.



#### 4. Attach brackets.

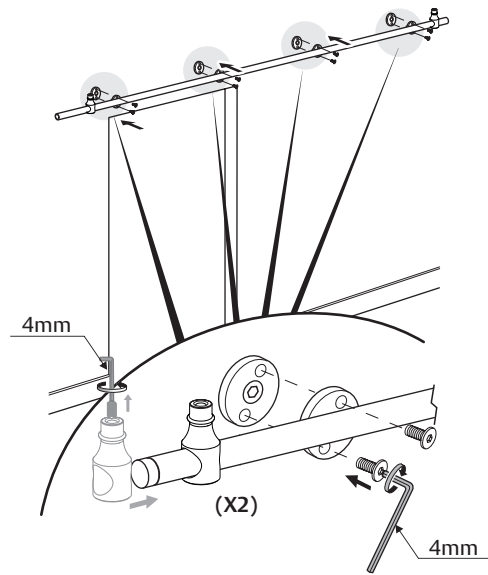
Locate centerline of track as shown on first page. Using a level, mark a horizontal line twice the door width long. Mark bracket screw locations, as shown on first page, into **WALL BLOCKING**. Attach wall portion of brackets as shown.

If applying track to gypsum board, use 1-1/2" hole saw to remove gypsum board at bracket locations. Use appropriate spacer kit, sold separately, to replace gypsum board removed by 1-1/2" hole saw.



#### 5. Secure track.

Attach track to wall brackets as shown. Insert stops into track ends.

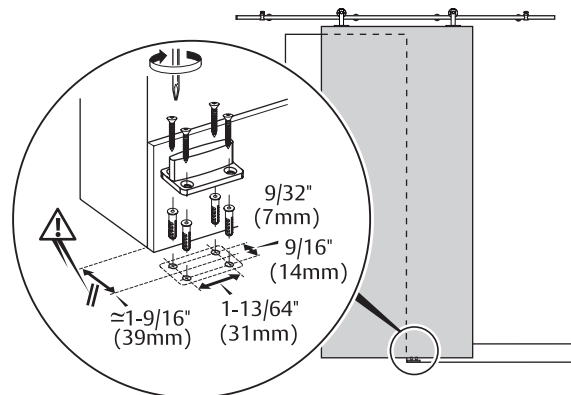


#### 6. Fit door guide to floor.

Mark for position of door guide.

*Check post fasteners for tightness.*

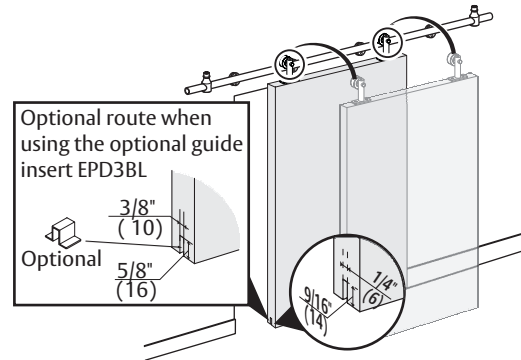
Mount door guide to floor with #8 plastic anchors and #8-18x25 screws.



The ASSA ABLOY Group is the global leader in access solutions. Every day we help people feel safe, secure and experience a more open world.

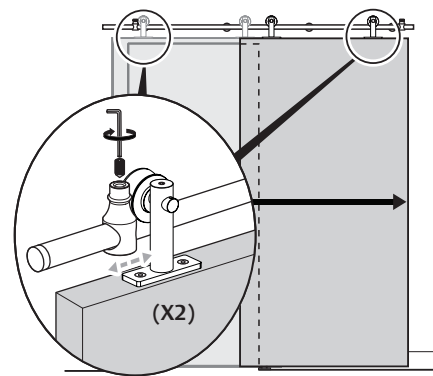
## 7. Hang door.

Route bottom of door to receive floor mounted guide as shown. Lift door onto track. Make adjustments to hangers so that door is plumb.



## 8. Adjust stops.

Adjust stops accordingly. Tighten set screw with sufficient force to drive set screw into bar after final adjustment.



## 9. Tighten hangers.

Rotate shaft 180° with allen wrench.  
Tighten set screw.

