

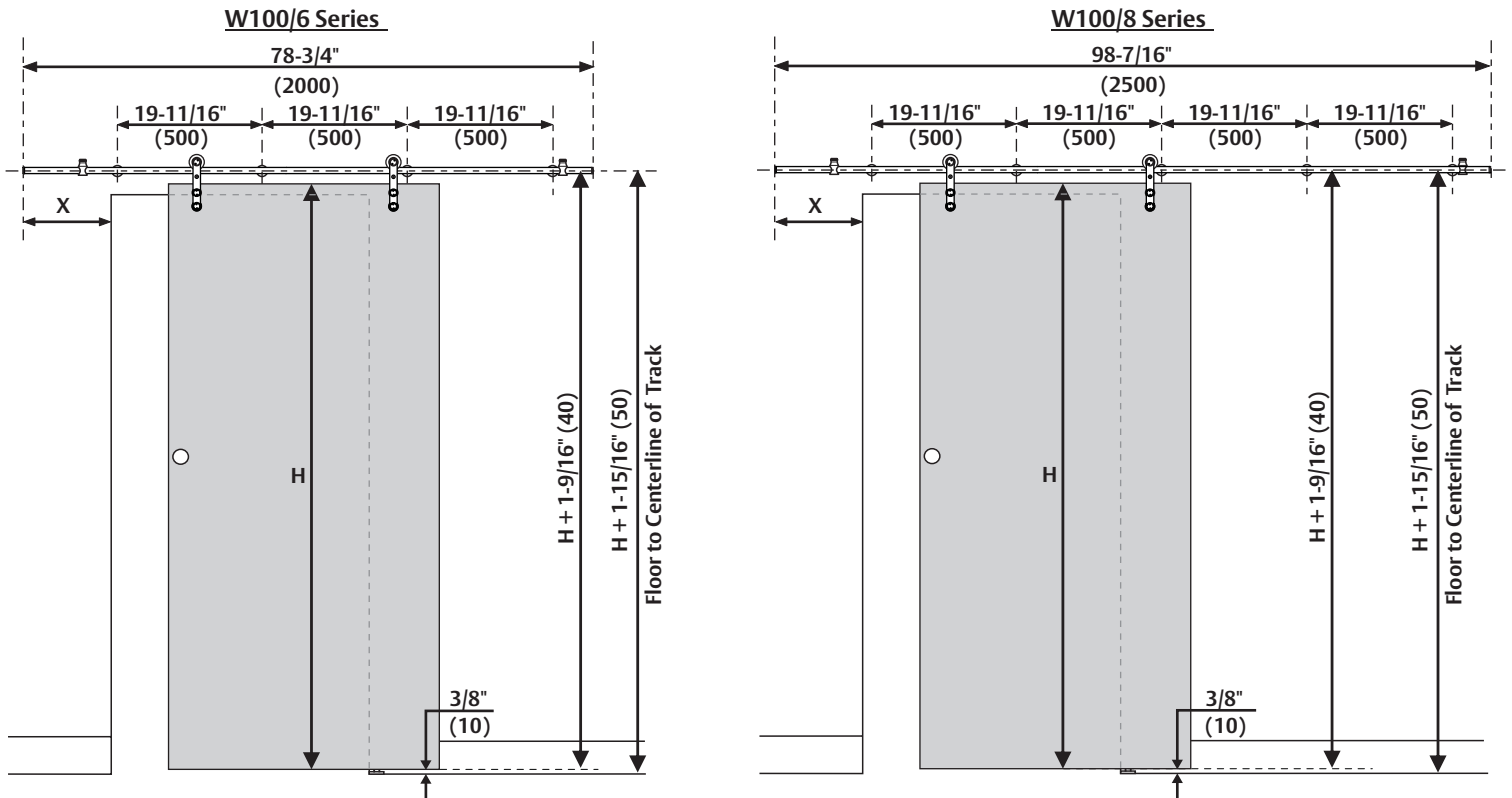
Architectural Door Accessories

ASSA ABLOY
Opening Solutions

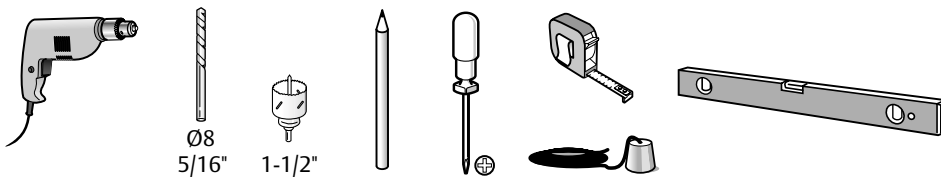
Pemko W100 Series

Experience a safer
and more open world

WARNING: Must be installed into wall blocking.
If you have questions about what type of wall blocking is required, consult a structural engineer.



Tools Required:

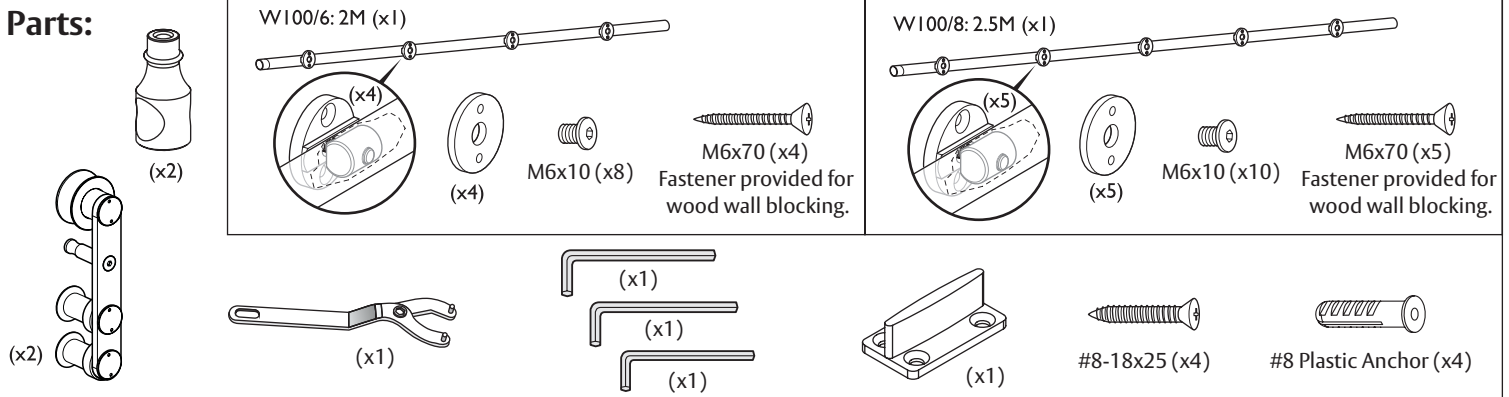


Dimensions shown: Inches (mm)

Notes:

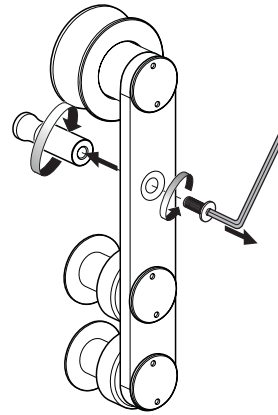
1. "X" = Door Overlap
2. Minimum door overlap on guide side is 2" (51).
3. **Must be installed into wall blocking. If you have questions about what type of wall blocking is required, consult a structural engineer.**
4. **IMPORTANT: If bracket fasteners are loosened, they must be re-tightened using a minimum of 11 ft lb of torque.**

Parts:



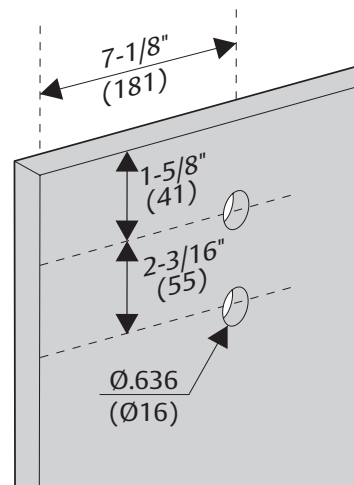
1. Prepare hanger.

Remove anti-rise pin from hanger using tool provided.

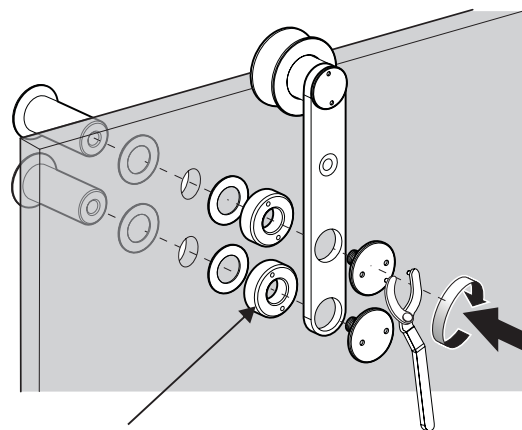


2. Prepare door for hangers.

Using Template provided, drill holes centered in door thickness for hanger anchors using a 16mm bit.



3. Mount hangers to door.

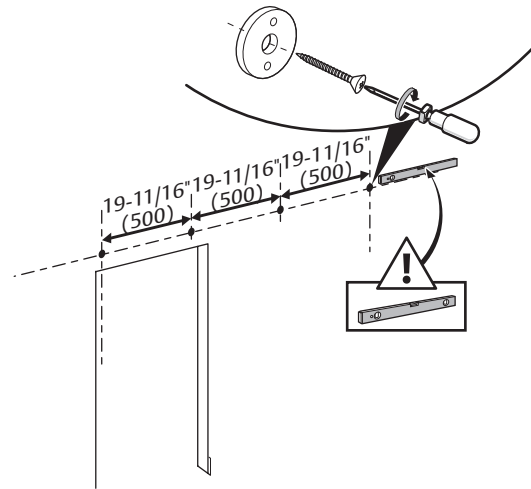


Remove the spacer when used with 1-3/4" wood door.

4. Attach brackets.

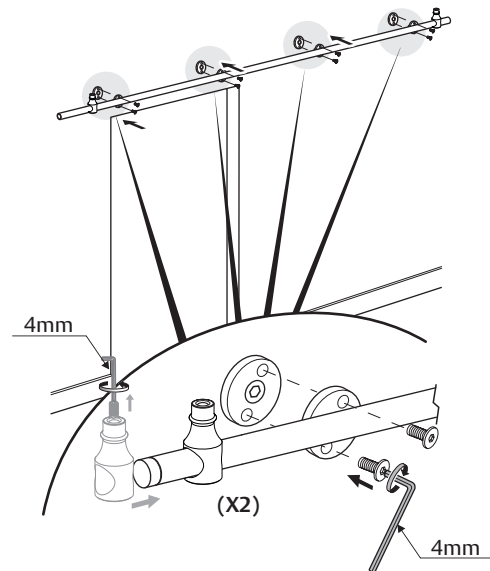
Locate centerline of track as shown on first page. Using a level, mark a horizontal line twice the door width long. Mark bracket screw locations, as shown on first page, into **WALL BLOCKING**. Attach wall portion of brackets as shown.

If applying track to gypsum board, use 1-1/2" hole saw to remove gypsum board at bracket locations. Use appropriate spacer kit, sold separately, to replace gypsum board removed by 1-1/2" hole saw.



5. Secure track.

Attach track to wall brackets as shown. Insert stops into track ends.

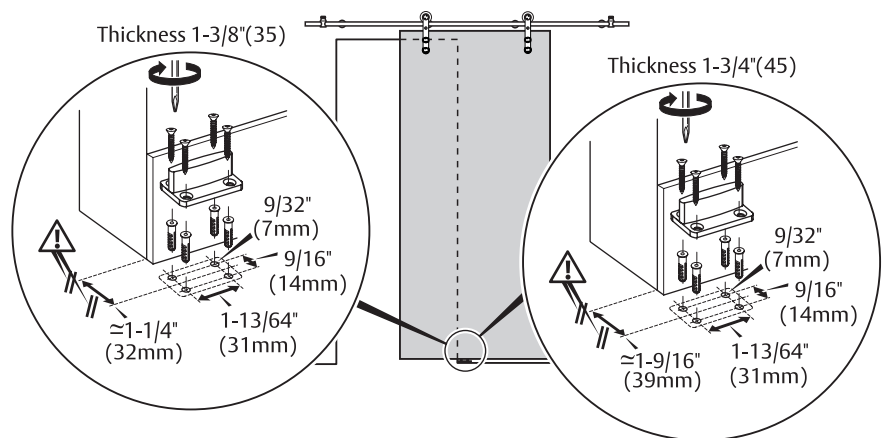


6. Fit door guide to floor.

Mark for position of door guide.

Check post fasteners for tightness.

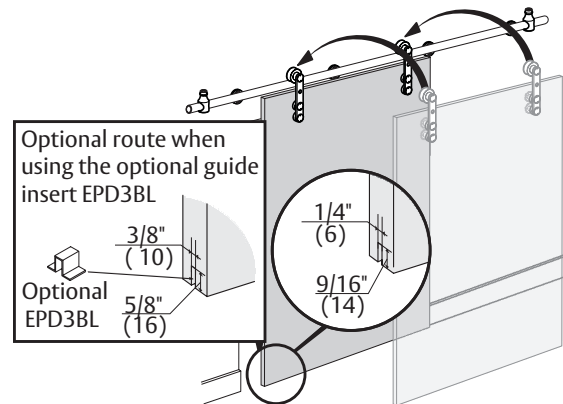
Mount door guide to floor with anchors and ST5.5 x 32 screws.



The ASSA ABLOY Group is the global leader in access solutions. Every day we help people feel safe, secure and experience a more open world.

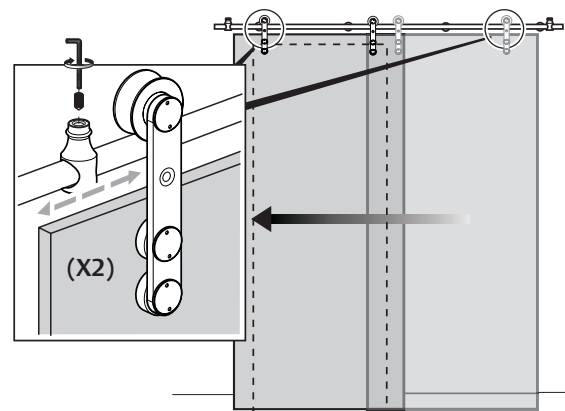
7. Hang door.

Route bottom of door to receive floor mounted guide as shown. Lift door onto track. Make adjustments to hangers so that door is plumb.



8. Adjust stops.

Adjust stops accordingly. Tighten set screw with sufficient force to drive set screw into bar after final adjustment.



9. Re-attach anti-rise pin into hangers.

