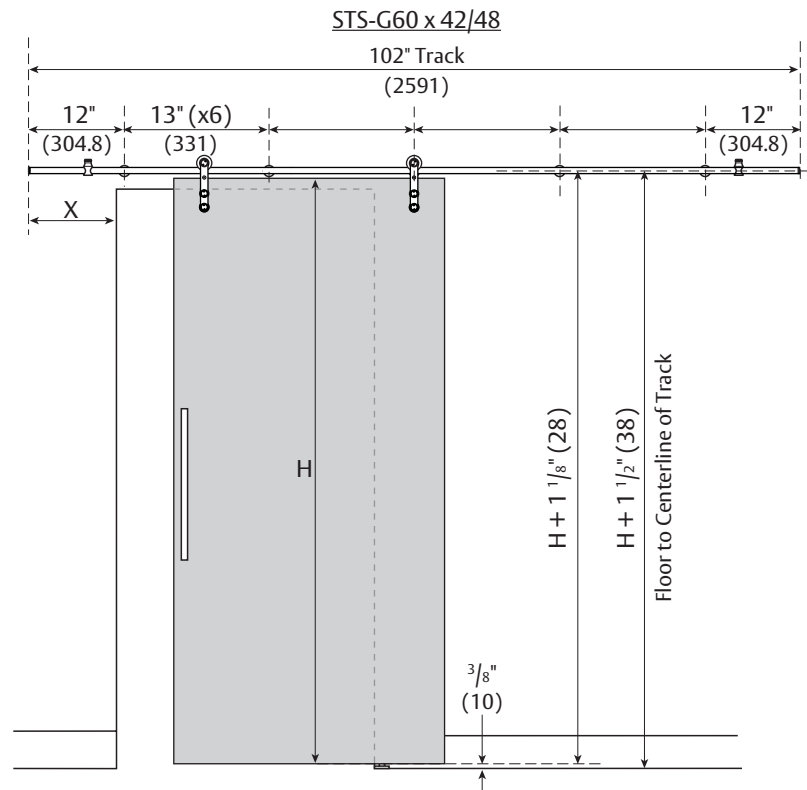
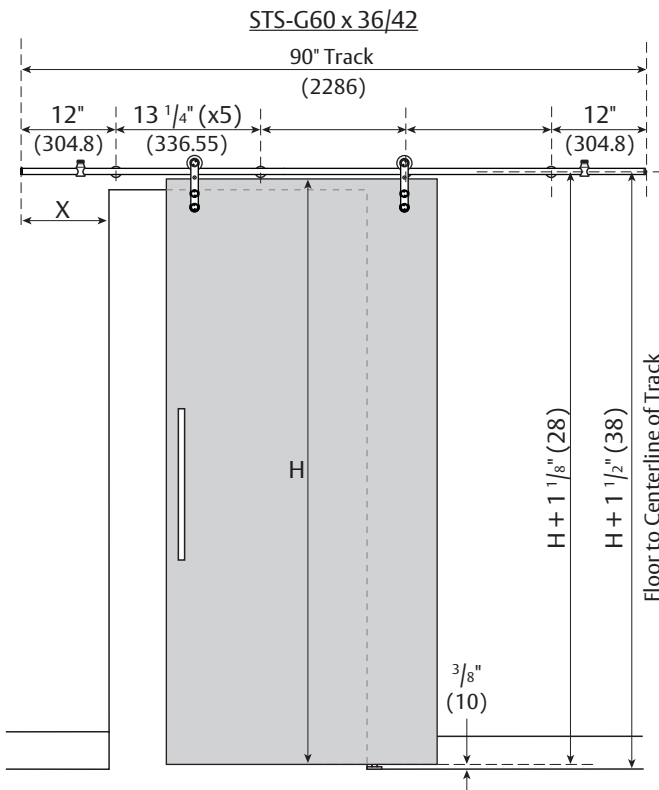


G60 Series Wall Mount Install Instructions

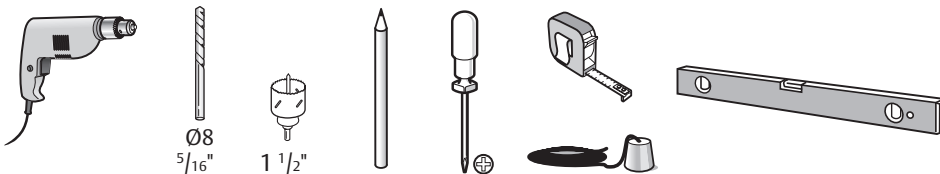
Experience a safer
and more open world

WARNING: Must be installed into wall blocking.

If you have questions about what type of wall blocking is required, consult a structural engineer.



Tools Required:

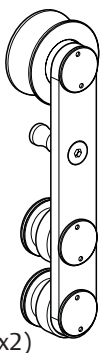


Dimensions shown: Inches (mm)

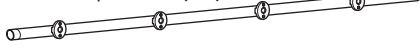
Notes:

- "X" = Door Overlap (recommend 2")
- Minimum door overlap on guide side is 2" (51).
- Must be installed into wall blocking. If you have questions about what type of wall blocking is required, consult a structural engineer.
- IMPORTANT:** If bracket fasteners are loosened, they must be re-tightened using a minimum of 11 ft lb of torque.

Parts:

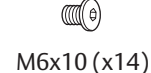
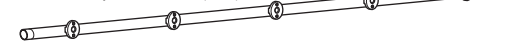


G60 x 36/42: 90" (x1)

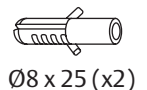
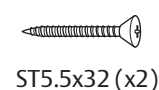
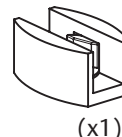
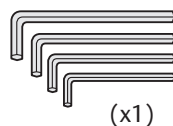
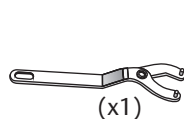


M6x70 (x6)
Fastener provided for
wood wall blocking.

G60 x 42/48: 102" (x1)



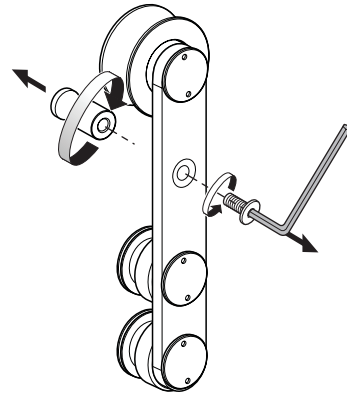
M6x70 (x7)
Fastener provided for
wood wall blocking.



1 Prepare Hanger.

Remove anti-rise pin from hanger with provided allen wrench.

Note: Anti-rise pins will be reinstalled in step 9.

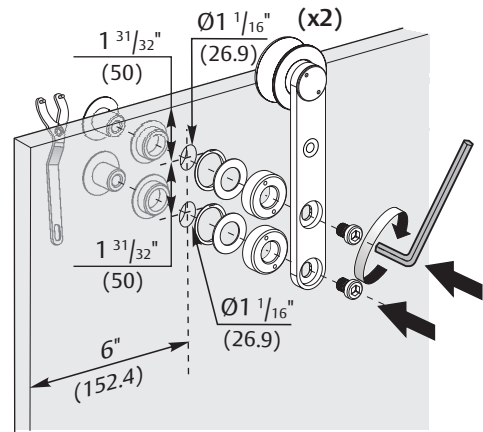


2 Mount hangers to door.

Reinstall all hardware on glass as hanger was disassembled.

Note: Critical plastic bushing are reinstalled to insulate glass from contacting metal components.

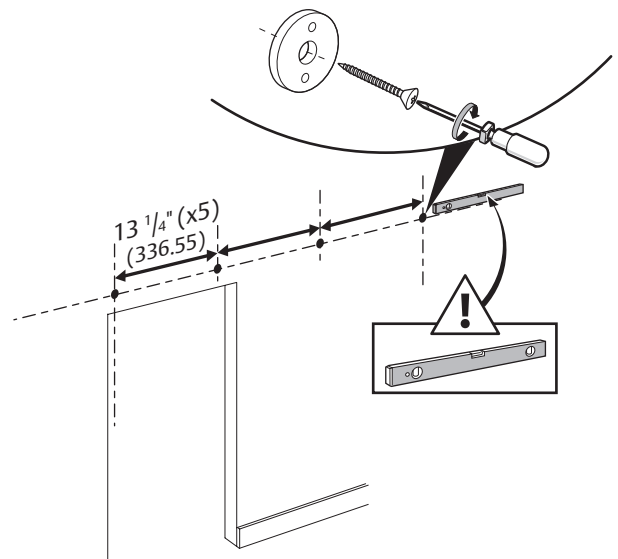
IMPORTANT: If bracket fasteners are loosened, they must be re-tightened using a minimum of 11 ft lb of torque.



3 Attach brackets.

Locate centerline of track as shown on first page. Using a level, mark a horizontal line twice the door width long. Mark bracket screw locations, as shown on first page, into WALL BLOCKING. Attach wall portion of brackets as shown.

If applying track to gypsum board, use 1 1/2" hole saw to remove gypsum board at bracket locations. Use appropriate spacer kit, sold separately, to replace gypsum board removed by 1 1/2" hole saw.



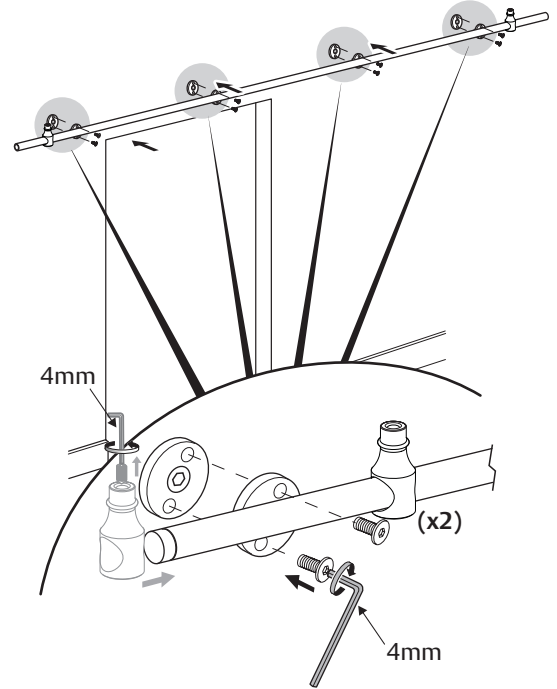
ASSA ABLOY
Opening Solutions

4 Secure track.

Cut track length (Door Opening x 2 plus 6") by cutting equal amounts from each end.

Attach track to wall brackets as shown. Insert stops into track ends.

Stop location cannot be placed more than 12" from last wall bracket.

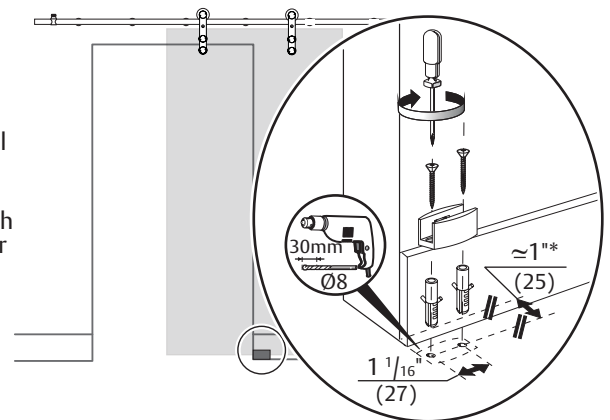
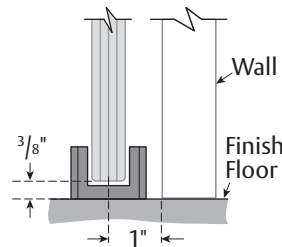


5 Fit door guide to floor.

Plumb the door and mark for position of door guide.

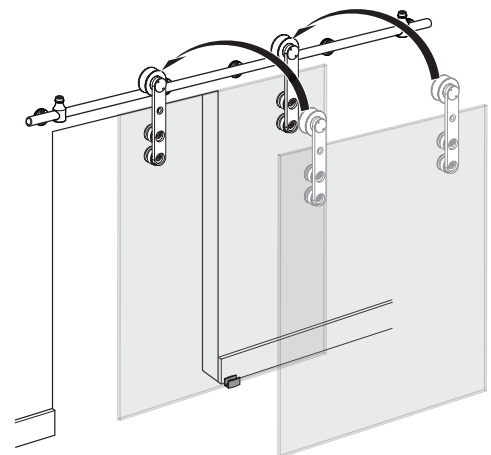
Mount door guide to floor.

Note: Door guide should be placed in front of wall / sidelite so not a tripping hazard. Door bottom must remain in guide for both open and closed positions. Bottom glass clearance to remain $\frac{3}{8}$ " AFF +/- $\frac{1}{8}$ ".



*Dimension from face of wall, varies depending on glass thickness.

6 Hang door.

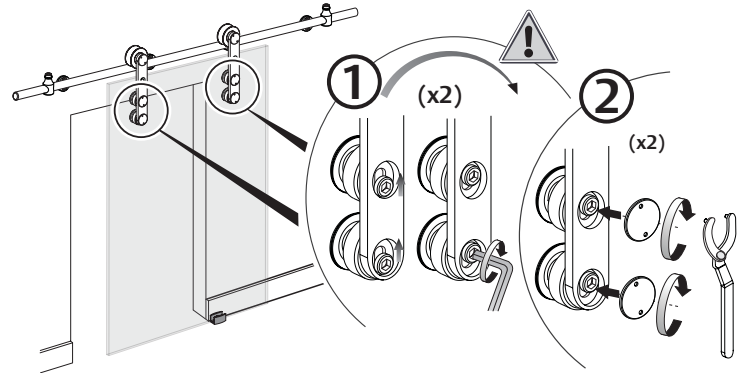


ASSA ABLOY
Opening Solutions

Experience a safer
and more open world

7 Adjust hangers.

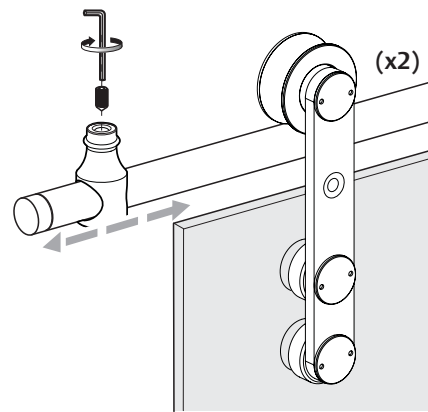
Ensure that door is plumb and level.



8 Adjust stops.

Adjust stops accordingly. Tighten set screw with sufficient force to drive set screw into bar after final adjustment.

IMPORTANT: If bracket fasteners are loosened, they must be re-tightened using a minimum of 11 ft lb of torque.



! 9 Re-attach anti-rise pins into hangers.

