

2

1

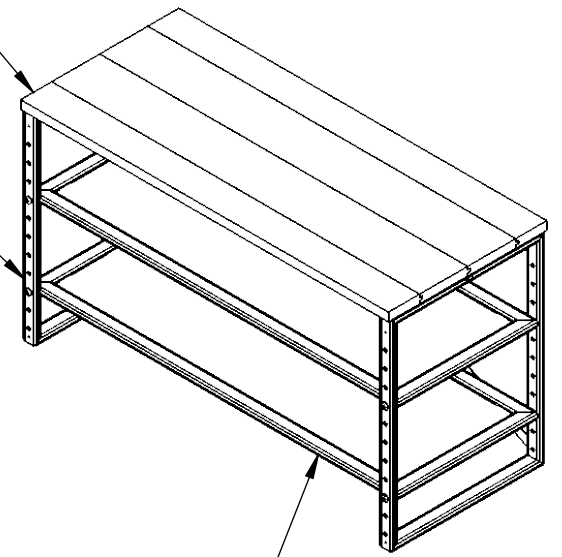
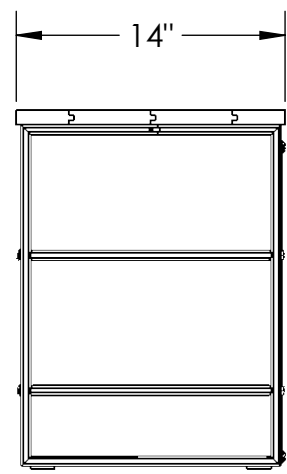
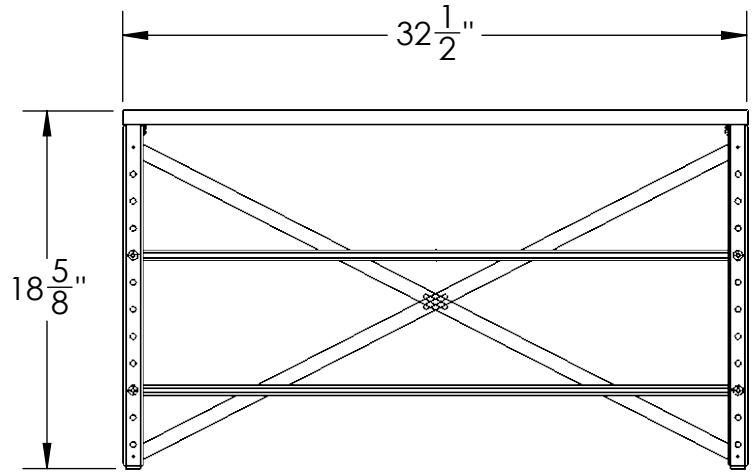
B

B

alder top

steel frame

adjustable shelf placement



A

A



rustica.com
1-800-891-8312

PROPRIETARY AND CONFIDENTIAL

THE INFORMATION CONTAINED IN THIS DRAWING IS THE SOLE PROPERTY OF RUSTICA. ANY REPRODUCTION IN PART OR AS A WHOLE WITHOUT THE WRITTEN PERMISSION OF RUSTICA IS PROHIBITED.

		UNLESS OTHERWISE SPECIFIED:		NAME	DATE
		DIMENSIONS ARE IN INCHES	DRAWN	ZLC	10/3/2023
		TOLERANCES:	CHECKED		
		FRACTIONAL ±	ENG APPR.		
		ANGULAR: MACH ± BEND ±	MFG APPR.		
		TWO PLACE DECIMAL ±	Q.A.		
		THREE PLACE DECIMAL ±	COMMENTS:		
		INTERPRET GEOMETRIC TOLERANCING PER:			
		MATERIAL			
		FINISH			
NEXT ASSY	USED ON				
APPLICATION		DO NOT SCALE DRAWING			

TITLE:
Rustica's Adjustable Shoe Rack + Entry Bench Instructions

SIZE	DWG. NO.	REV
A	specs	
SCALE: 1:10	WEIGHT:	SHEET 1 OF 6

2

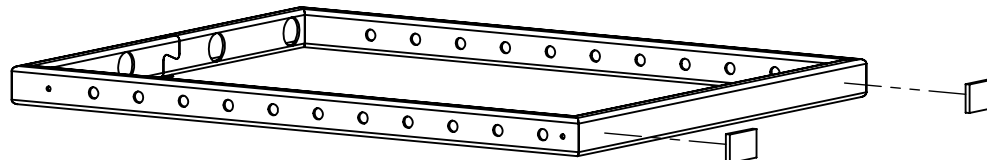
1

2

1

B

B



Attach the adhesive rubber feet as shown

A

A



rustica.com
1-800-891-8312

PROPRIETARY AND CONFIDENTIAL

THE INFORMATION CONTAINED IN THIS DRAWING IS THE SOLE PROPERTY OF RUSTICA. ANY REPRODUCTION IN PART OR AS A WHOLE WITHOUT THE WRITTEN PERMISSION OF RUSTICA IS PROHIBITED.

		UNLESS OTHERWISE SPECIFIED:		NAME	DATE
		DIMENSIONS ARE IN INCHES	DRAWN	ZLC	10/3/2023
		TOLERANCES:	CHECKED		
		FRACTIONAL ±	ENG APPR.		
		ANGULAR: MACH ± BEND ±	MFG APPR.		
		TWO PLACE DECIMAL ±	Q.A.		
		THREE PLACE DECIMAL ±	COMMENTS:		
		INTERPRET GEOMETRIC TOLERANCING PER:			
		MATERIAL			
		FINISH			
NEXT ASSY	USED ON				
APPLICATION		DO NOT SCALE DRAWING			

TITLE:
Rustica's Adjustable Shoe Rack + Entry Bench Instructions

SIZE	DWG. NO.	REV
A	1. rubber feet	
SCALE: 1:20	WEIGHT:	SHEET 2 OF 6

2

1

2

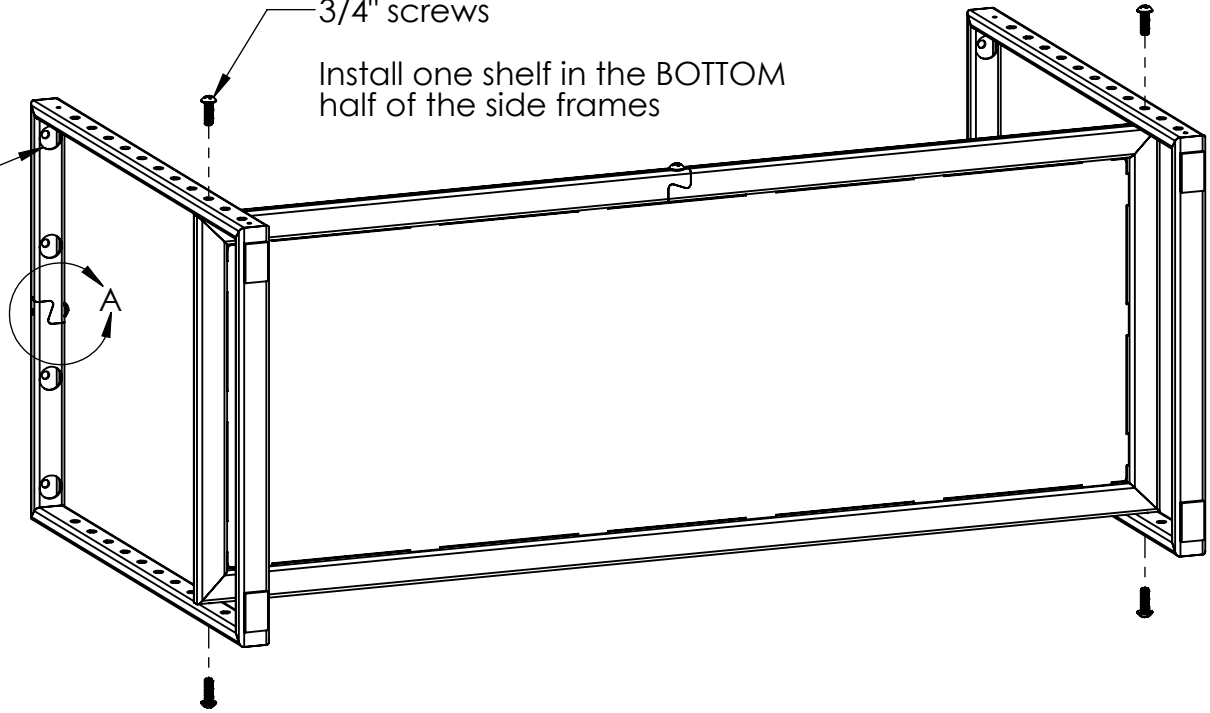
1

B

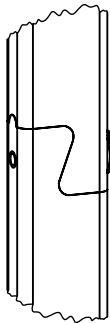
B

Leave room near the holes along the top of the side frames so you can install the wood top in a later step

3/4" screws
Install one shelf in the BOTTOM half of the side frames



DETAIL A
SCALE 1 : 2



If you plan to connect multiple shoe racks side-by-side, position the side frames so the heads of these screws face inwards, towards the center of the shoe rack

A

A



rustica.com
1-800-891-8312

PROPRIETARY AND CONFIDENTIAL

THE INFORMATION CONTAINED IN THIS DRAWING IS THE SOLE PROPERTY OF RUSTICA. ANY REPRODUCTION IN PART OR AS A WHOLE WITHOUT THE WRITTEN PERMISSION OF RUSTICA IS PROHIBITED.

		UNLESS OTHERWISE SPECIFIED:		NAME	DATE
		DIMENSIONS ARE IN INCHES	DRAWN	ZLC	10/3/2023
		TOLERANCES:	CHECKED		
		FRACTIONAL ±	ENG APPR.		
		ANGULAR: MACH ± BEND ±	MFG APPR.		
		TWO PLACE DECIMAL ±	Q.A.		
		THREE PLACE DECIMAL ±	COMMENTS:		
		INTERPRET GEOMETRIC TOLERANCING PER:			
		MATERIAL			
		FINISH			
NEXT ASSY	USED ON				
APPLICATION		DO NOT SCALE DRAWING			

TITLE:
Rustica's Adjustable Shoe Rack + Entry Bench Instructions

SIZE	DWG. NO.	REV
A	2. first shelf	
SCALE: 1:20	WEIGHT:	SHEET 3 OF 6

2

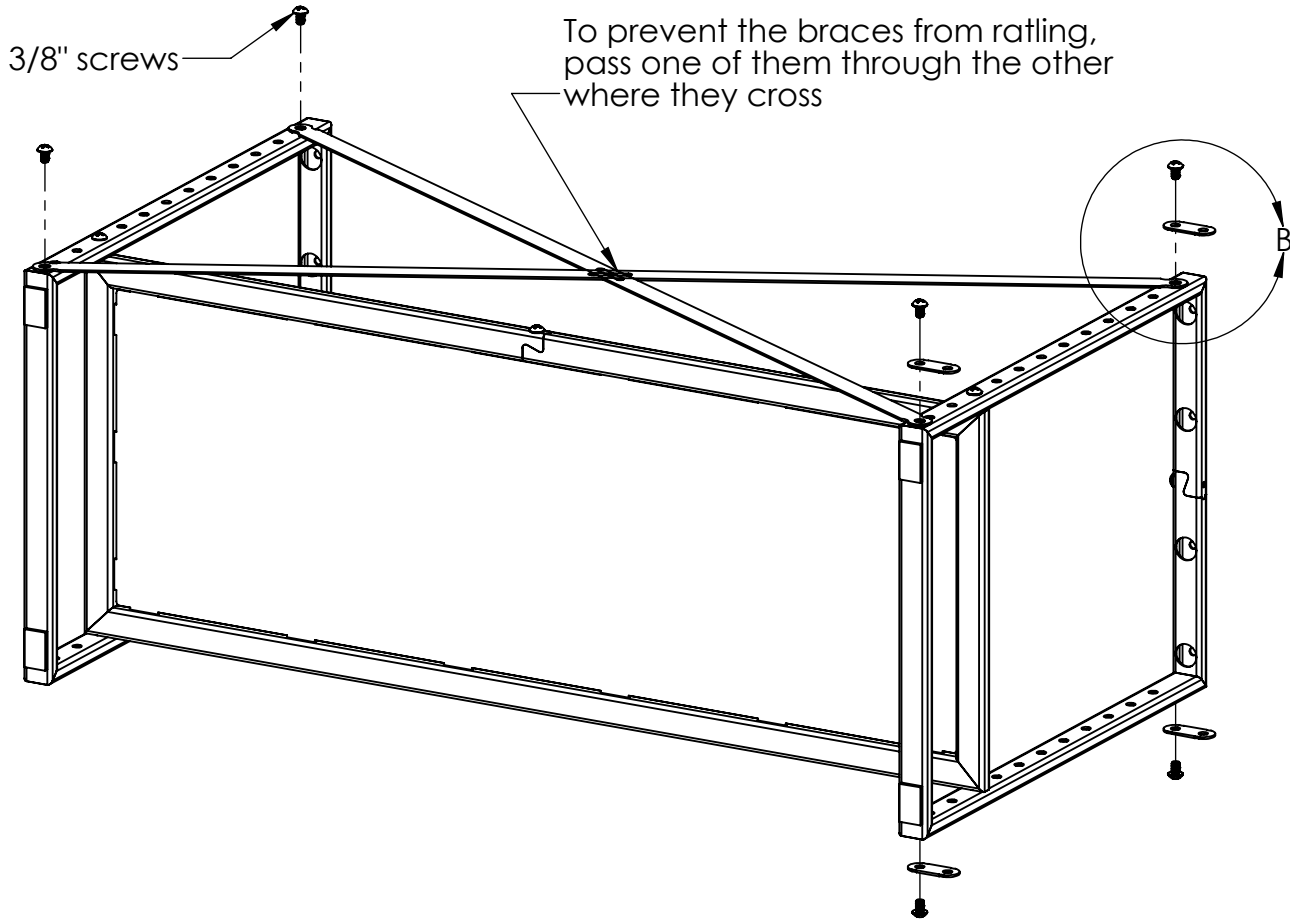
1

2

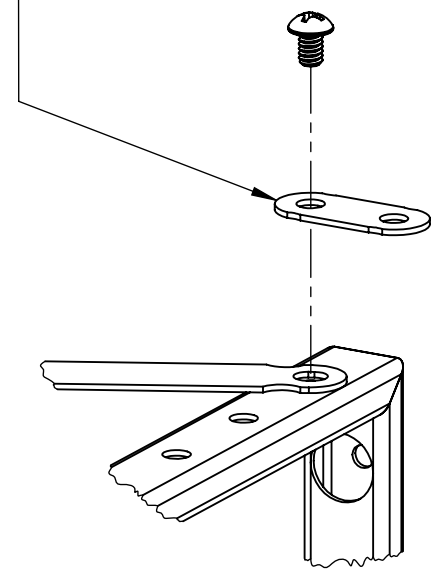
1

B

B



If you're connecting two or more shoe racks side-by-side, use these brackets to connect them in this step. Otherwise, leave the brackets out



DETAIL B
SCALE 1 : 2

A

A



rustica.com
1-800-891-8312

PROPRIETARY AND CONFIDENTIAL

THE INFORMATION CONTAINED IN THIS DRAWING IS THE SOLE PROPERTY OF RUSTICA. ANY REPRODUCTION IN PART OR AS A WHOLE WITHOUT THE WRITTEN PERMISSION OF RUSTICA IS PROHIBITED.

		UNLESS OTHERWISE SPECIFIED:		NAME	DATE
		DIMENSIONS ARE IN INCHES	DRAWN	ZLC	10/3/2023
		TOLERANCES:	CHECKED		
		FRACTIONAL ±	ENG APPR.		
		ANGULAR: MACH ± BEND ±	MFG APPR.		
		TWO PLACE DECIMAL ±	Q.A.		
		THREE PLACE DECIMAL ±	COMMENTS:		
		INTERPRET GEOMETRIC TOLERANCING PER:			
		MATERIAL			
		FINISH			
NEXT ASSY	USED ON				
APPLICATION		DO NOT SCALE DRAWING			

TITLE:
Rustica's Adjustable Shoe Rack + Entry Bench Instructions

SIZE	DWG. NO.	REV
A	3. diagonal braces	
SCALE: 1:20	WEIGHT:	SHEET 4 OF 6

2

1

2

1

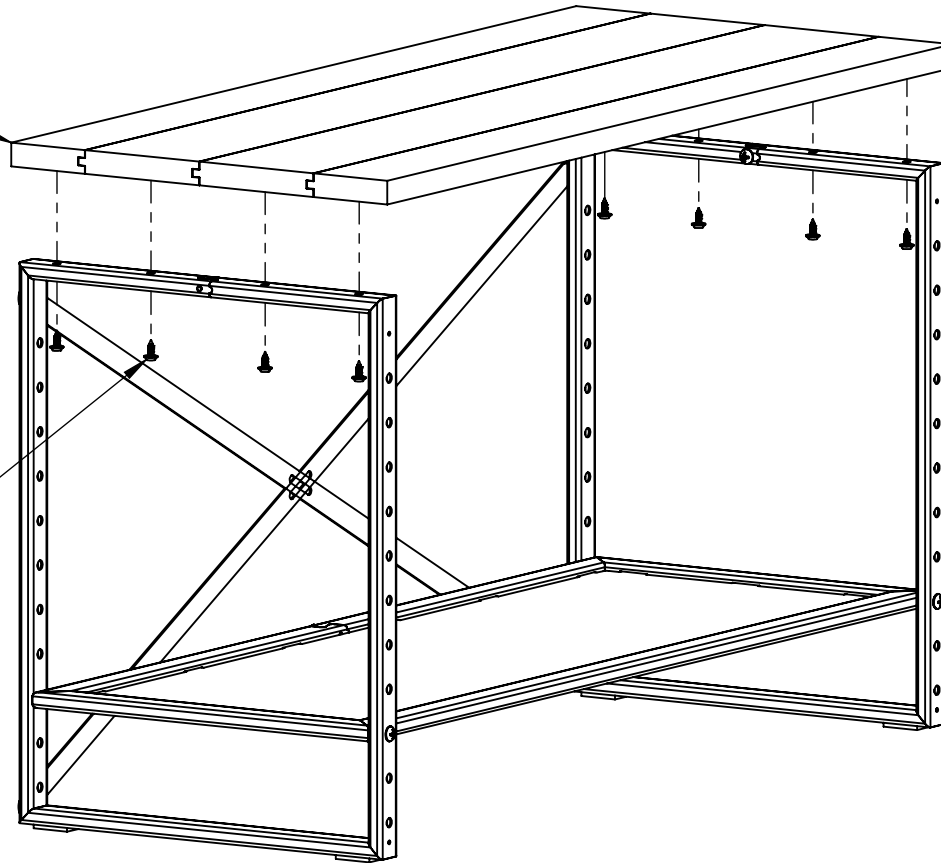
B

B

The wood top is sized to sit flush with the sides of the shoe rack, and overhang the front and back about 1/4"

To ensure the wood doesn't split, you can mark and pre-drill the holes 1/2" deep with a 1/8" bit

1/2" wood screws



A

A



rustica.com
1-800-891-8312

PROPRIETARY AND CONFIDENTIAL

THE INFORMATION CONTAINED IN THIS DRAWING IS THE SOLE PROPERTY OF RUSTICA. ANY REPRODUCTION IN PART OR AS A WHOLE WITHOUT THE WRITTEN PERMISSION OF RUSTICA IS PROHIBITED.

		UNLESS OTHERWISE SPECIFIED:		NAME	DATE
		DIMENSIONS ARE IN INCHES	DRAWN	ZLC	10/3/2023
		TOLERANCES:	CHECKED		
		FRACTIONAL ±	ENG APPR.		
		ANGULAR: MACH ± BEND ±	MFG APPR.		
		TWO PLACE DECIMAL ±	Q.A.		
		THREE PLACE DECIMAL ±	COMMENTS:		
		INTERPRET GEOMETRIC TOLERANCING PER:			
		MATERIAL			
		FINISH			
NEXT ASSY	USED ON				
APPLICATION		DO NOT SCALE DRAWING			

TITLE:
Rustica's Adjustable Shoe Rack + Entry Bench Instructions

SIZE	DWG. NO.	REV
A	4. top on	
SCALE: 1:20	WEIGHT:	SHEET 5 OF 6

2

1

2

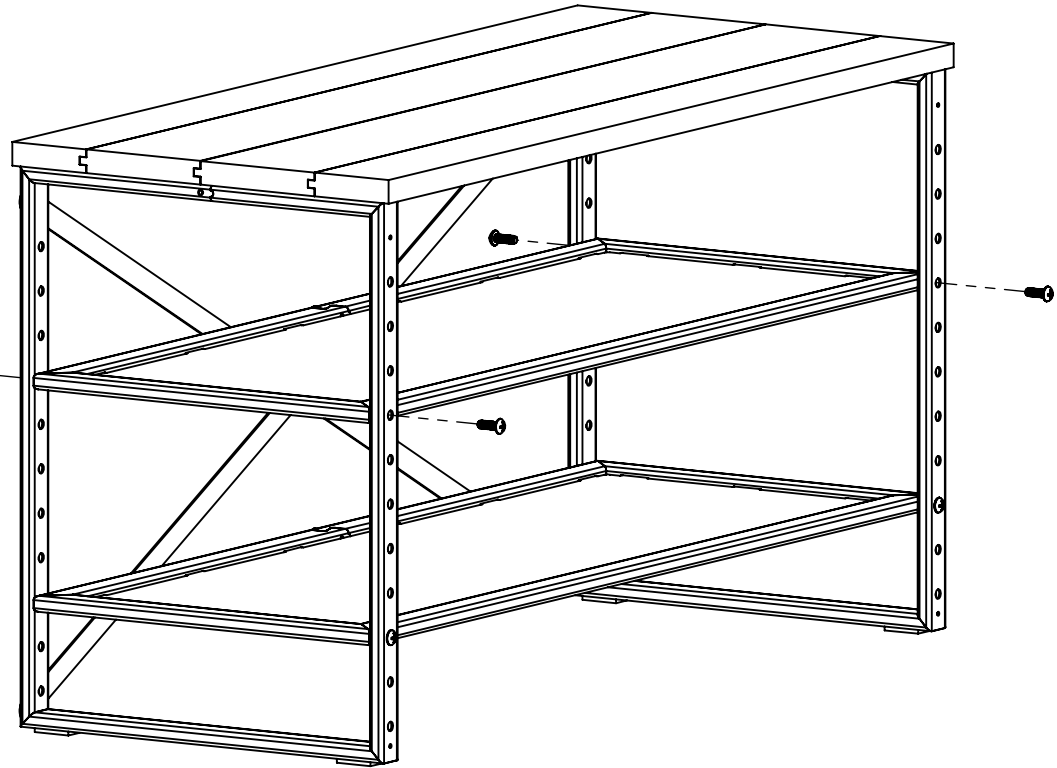
1

B

B

3/4" screws

Install the last shelf



A

A



rustica.com
1-800-891-8312

PROPRIETARY AND CONFIDENTIAL

THE INFORMATION CONTAINED IN THIS DRAWING IS THE SOLE PROPERTY OF RUSTICA. ANY REPRODUCTION IN PART OR AS A WHOLE WITHOUT THE WRITTEN PERMISSION OF RUSTICA IS PROHIBITED.

		UNLESS OTHERWISE SPECIFIED:		NAME	DATE
		DIMENSIONS ARE IN INCHES	DRAWN	ZLC	10/3/2023
		TOLERANCES:	CHECKED		
		FRACTIONAL ±	ENG APPR.		
		ANGULAR: MACH ± BEND ±	MFG APPR.		
		TWO PLACE DECIMAL ±	Q.A.		
		THREE PLACE DECIMAL ±	COMMENTS:		
		INTERPRET GEOMETRIC TOLERANCING PER:			
		MATERIAL			
		FINISH			
NEXT ASSY	USED ON				
APPLICATION		DO NOT SCALE DRAWING			

TITLE:
Rustica's Adjustable Shoe Rack + Entry Bench Instructions

SIZE	DWG. NO.	REV
A	5. last shelf	
SCALE: 1:20		WEIGHT:
		SHEET 6 OF 6

2

1