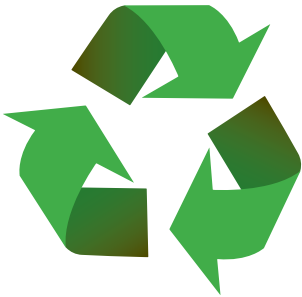




# EZ EDGE™ TRANSITIONS

[www.SafePathProducts.com](http://www.SafePathProducts.com) | 800.497.2003  
21 Valley Court, Chico. CA. 95973





**EZ Edge™ Rubber Transition Product Line:**

In this catalog you will find the world's largest selection of recycled rubber transition ramps. Designed for durability and safety, these ramps can be used in the harshest conditions for both exterior and interior applications for commercial and residential purposes.

We were the first to receive a U.S. Patent for recycled rubber transitions and have been supplying the architectural and building industry for over 24 years with high quality, long lasting barrier removal products. All EZ Edge™ transition products come with a 10 year standard warranty and have been featured on national programs such the History Channel and This Old House.

SafePath™ is recognized as the leader in "green product" barrier removal products, which are made from 100% post-consumer recycled tire rubber material. Only the highest quality recycled material is allowed in our products and we guarantee each and every product produced for workmanship, durability, safety and years of maintenance free use.



## Table of Contents

Intro.....	pg. 2
EZ Edge™ ramp selection .....	pg. 4–39
Installation Instructions .....	pg. 40
Material Safety Data Sheet.....	pg. 41
Specification Sheet .....	pg. 42–46



# EZ Edge Transitions™

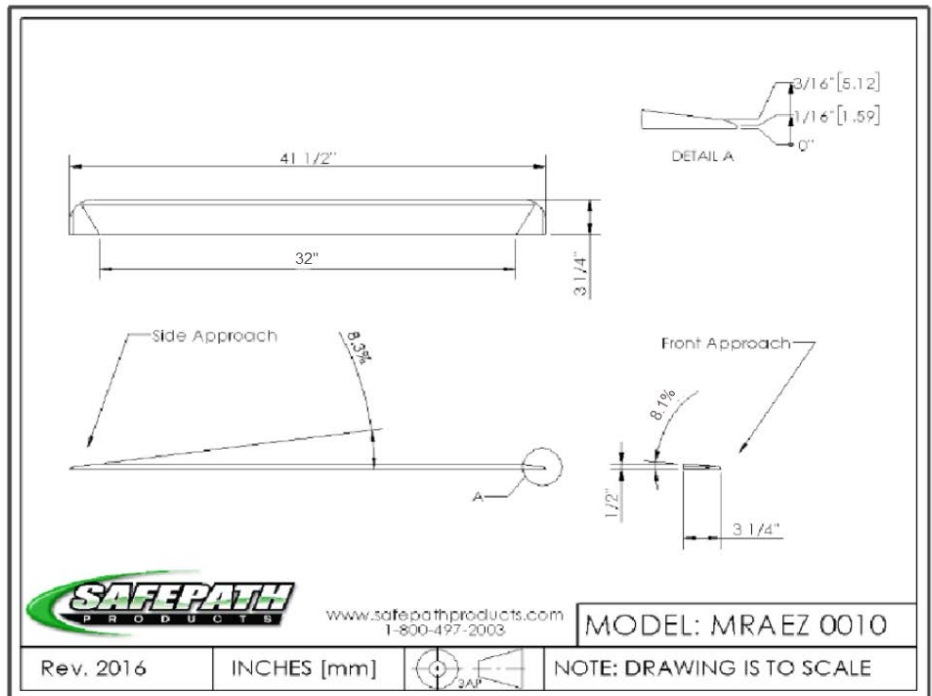
MRAEZ 0010 1/2"H

Product Title: <b>EZ Edge Transition</b>
Model No. <b>MRAEZ 0010</b>
UPC: <b>857293006661</b>
Product Dimensions: <b>1/2" H x 3.25" D x 41.25" L</b>
Carton Dimensions: <b>2" H x 8.75" W x 43" L</b>
Freight Class: <b>55</b>
Lead Time: <b>1-3 Business Days</b>
Product Weight: <b>3 Lbs.</b>
Ship Weight: <b>4 Lbs.</b>
Product Color: <b>Black</b>
MRSP:
Comments:
D= Depth of Product



Made from 100% Recycled Rubber-perfect for exterior, interior, residential and commercial applications, these ramps have no load weight limitations, unlike aluminum ramp products.

**MADE in the USA**





# EZ Edge Transitions™

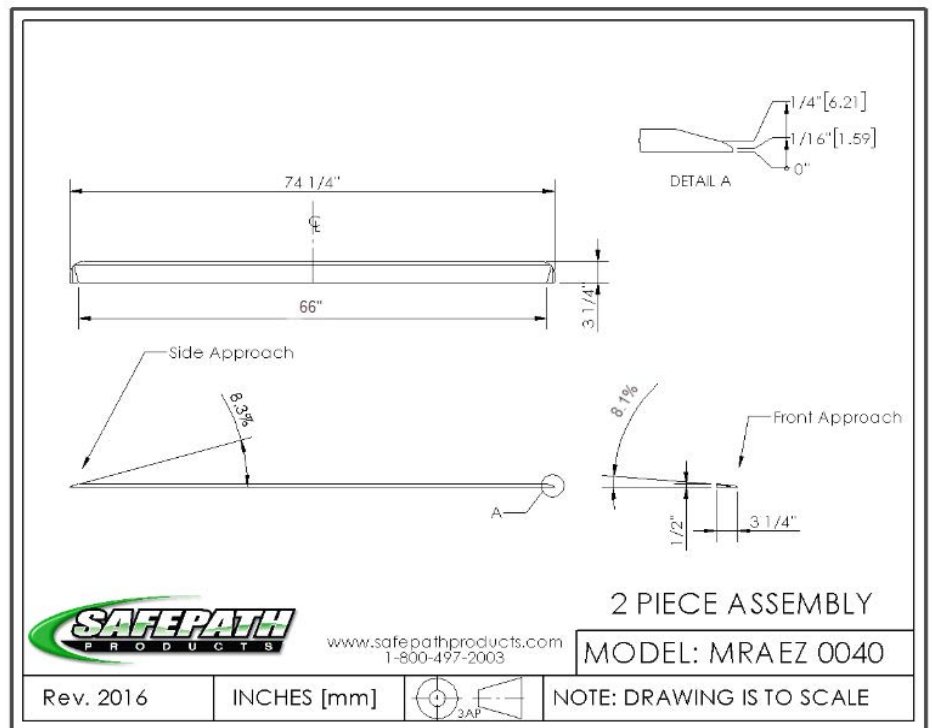
**MRAEZ 0040 1/2"H**

Product Title:	<b>EZ Edge Transition</b>
Model No.	<b>MRAEZ 0040</b>
UPC:	<b>857293006628</b>
Product Dimensions:	<b>1/2" H x 3.25" D x 74.25" L</b>
Carton Dimensions:	<b>2" H x 8.875" W x 43" L</b>
Freight Class:	<b>55</b>
Lead Time:	<b>1-3 Business Days</b>
Product Weight:	<b>5.5 Lbs.</b>
Ship Weight:	<b>6.5 Lbs.</b>
Product Color:	<b>Black</b>
MRSP:	
Comments:	Two Part Assembly
	D= Depth of Product



Made from 100% Recycled Rubber-perfect for exterior, interior, residential and commercial applications, these ramps have no load weight limitations, unlike aluminum ramp products.

**MADE in the USA**





# EZ Edge Transitions™

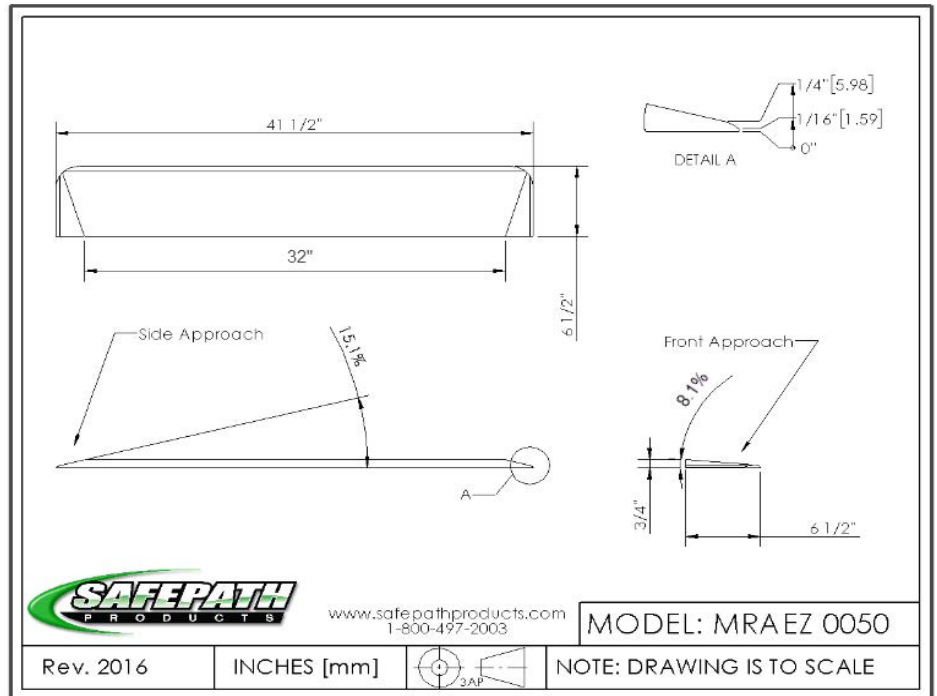
**MRAEZ 0050 3/4" H**

Product Title: <b>EZ Edge Transition</b>
Model No. <b>MRAEZ 0050</b>
UPC: <b>857293006635</b>
Product Dimensions: <b>3/4" H x 6.5" D x 41.5" L</b>
Carton Dimensions: <b>2" H x 9" W x 43" L</b>
Freight Class: <b>55</b>
Lead Time: <b>1-3 Business Days</b>
Product Weight: <b>6 Lbs.</b>
Ship Weight: <b>7 Lbs.</b>
Product Color: <b>Black</b>
MRSP:
Comments:  D= Depth of Product



Made from 100% Recycled Rubber-perfect for exterior, interior, residential and commercial applications, these ramps have no load weight limitations, unlike aluminum ramp products.

**MADE in the USA**





# EZ Edge<sup>TM</sup> Transitions

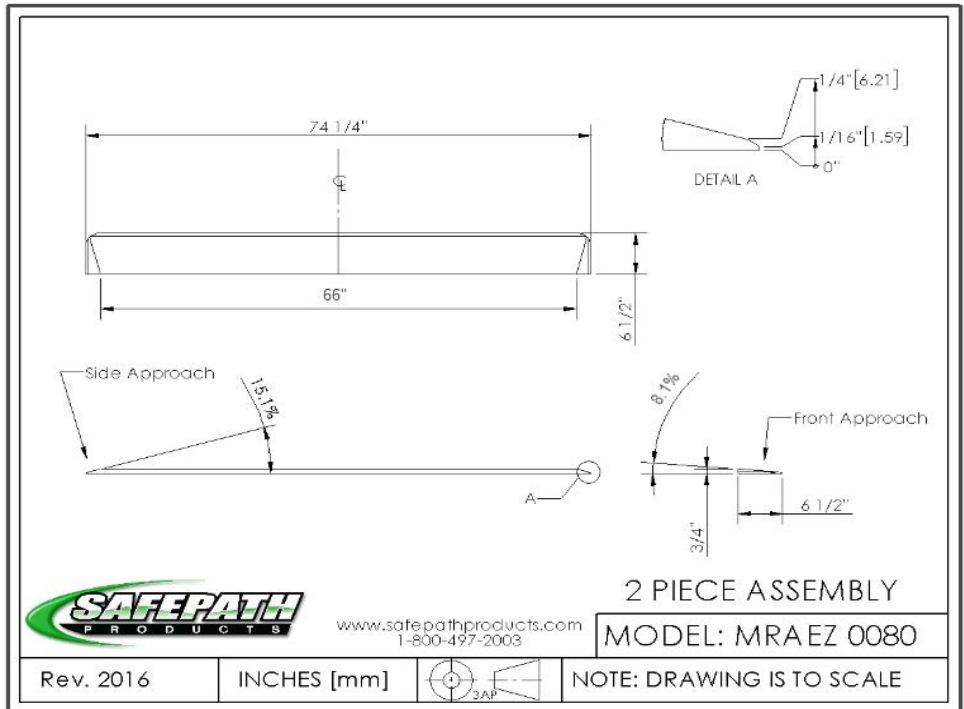
**MRAEZ 0080 3/4" H**

Product Title: <b>EZ Edge Transition</b>
Model No. <b>MRAEZ 0080</b>
UPC: <b>857293006642</b>
Product Dimensions: <b>3/4" H x 6.5" D x 74.25" L</b>
Carton Dimensions: <b>2" H x 9" W x 43" L</b>
Freight Class: <b>55</b>
Lead Time: <b>1-3 Business Days</b>
Product Weight: <b>9.5 Lbs.</b>
Ship Weight: <b>11 Lbs.</b>
Product Color: <b>Black</b>
MRSP:
Comments: Two Part Assembly  D= Depth of Product



Made from 100% Recycled Rubber-perfect for exterior, interior, residential and commercial applications, these ramps have no load weight limitations, unlike aluminum ramp products.

**MADE in the USA**





# EZ Edge Transitions™

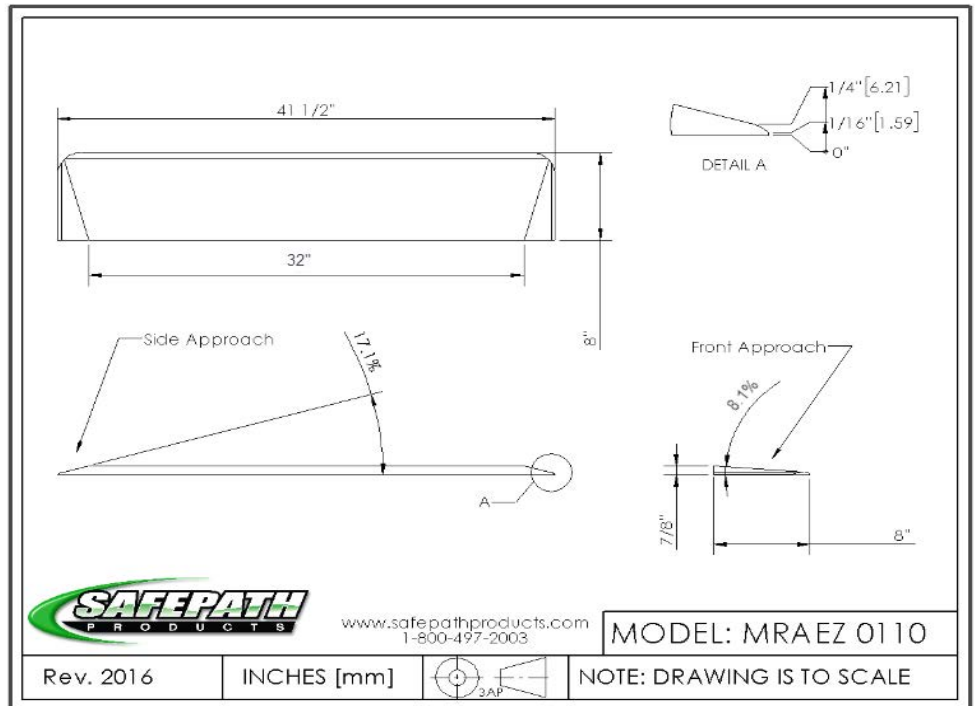
MRAEZ 0110 7/8" H

Product Title: <b>EZ Edge Transition</b>
Model No. <b>MRAEZ 0110</b>
UPC: <b>857293006659</b>
Product Dimensions: <b>7/8" H x 8" D x 42" L</b>
Carton Dimensions: <b>2" H x 9" W x 43" L</b>
Freight Class: <b>55</b>
Lead Time: <b>1-3 Business Days</b>
Product Weight: <b>8 Lbs.</b>
Ship Weight: <b>9 Lbs.</b>
Product Color: <b>Black</b>
MRSP:
Comments:
D= Depth of Product



Made from 100% Recycled Rubber-perfect for exterior, interior, residential and commercial applications, these ramps have no load weight limitations, unlike aluminum ramp products.

**MADE in the USA**







# EZ Edge Transitions™

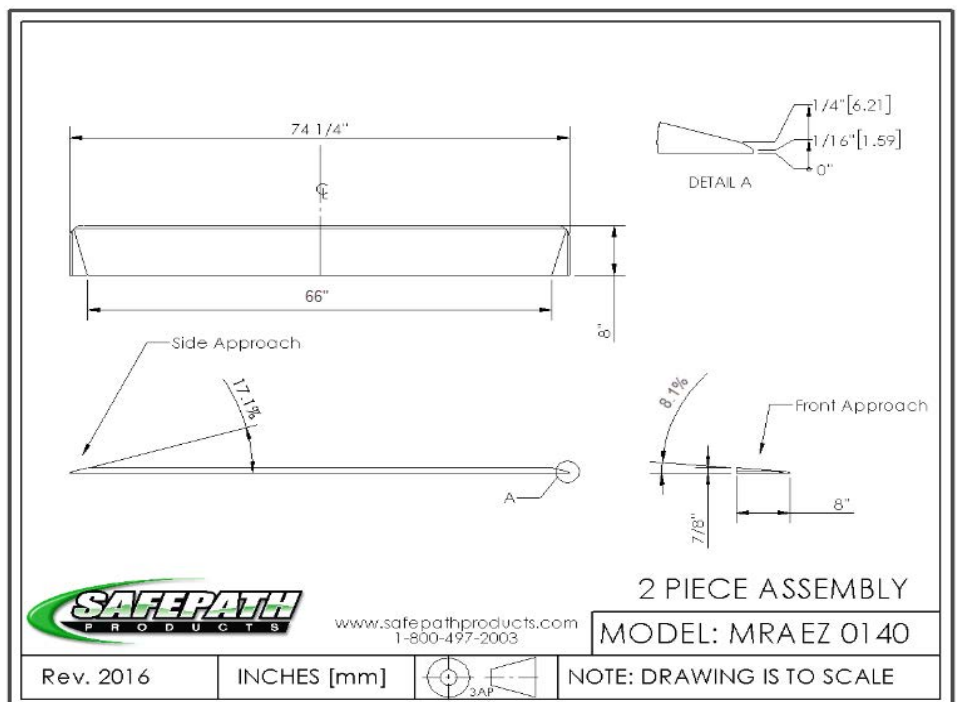
MRAEZ 0140 7/8" H

Product Title: <b>EZ Edge Transition</b>
Model No. <b>MRAEZ 0140</b>
UPC: 857293006420
Product Dimensions: <b>7/8" H x 8" D x 74.25" L</b>
Carton Dimensions: <b>2" H x 9" W x 43" L</b>
Freight Class: <b>55</b>
Lead Time: <b>1-3 Business Days</b>
Product Weight: <b>13 Lbs.</b>
Ship Weight: <b>14 Lbs.</b>
Product Color: <b>Black</b>
MRSP:
Comments: Two Part Assembly
D= Depth of Product



Made from 100% Recycled Rubber-perfect for exterior, interior, residential and commercial applications, these ramps have no load weight limitations, unlike aluminum ramp products.

**MADE in the USA**





# EZ Edge Transitions™

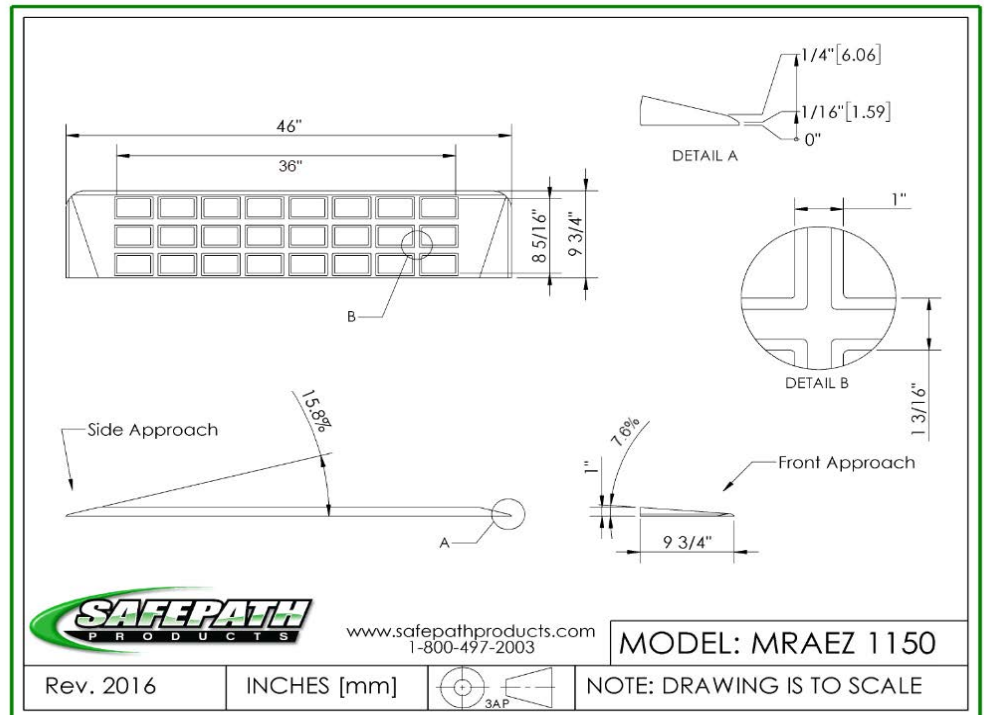
# MRAEZ 1150 1"H

Product Title: <b>EZ Edge Transition</b>
Model No. <b>MRAEZ 1150</b>
UPC: <b>857293006437</b>
Product Dimensions: <b>1" H x 9.75" D x 46" L</b>
Carton Dimensions: <b>2" H x 14.5" W x 47"</b>
Freight Class: <b>55</b>
Lead Time: <b>1-3 Business Days</b>
Product Weight: <b>12 Lbs.</b>
Ship Weight: <b>13 Lbs.</b>
Product Color: <b>Black</b>
MRSP:
Comments:
D= Depth of Product



Made from 100% Recycled Rubber-perfect for exterior, interior, residential and commercial applications, these ramps have no load weight limitations, unlike aluminum ramp products.

**MADE in the USA**





# EZ Edge Transitions™

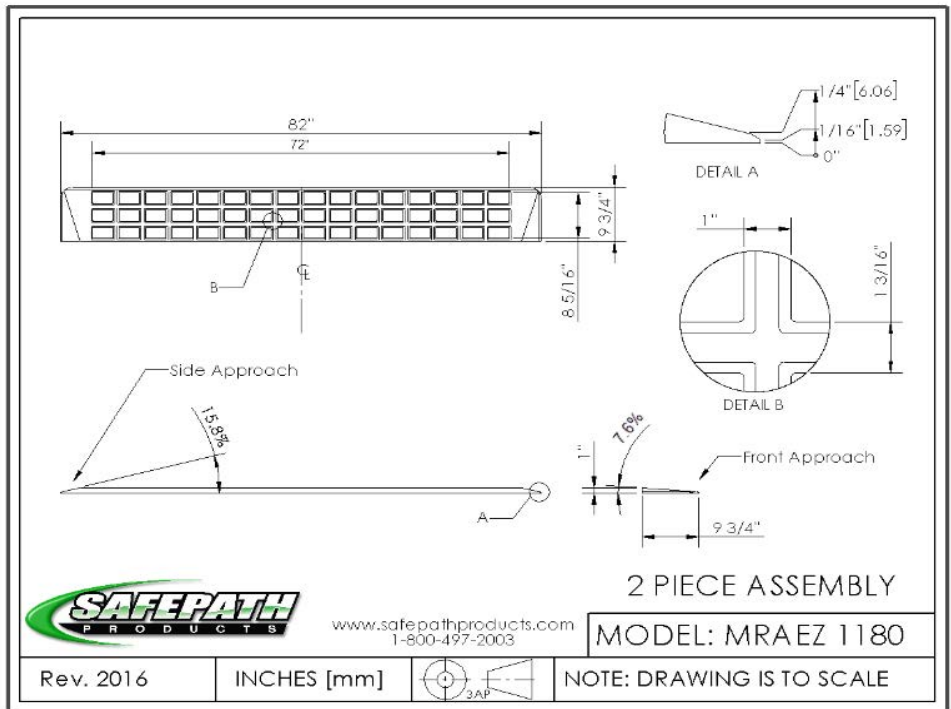
# MRAEZ 1180 1”H

Product Title: <b>EZ Edge Transition</b>
Model No. <b>MRAEZ 1180</b>
UPC: <b>857293006444</b>
Product Dimensions: <b>1” H x 9.75” D x 82” L</b>
Carton Dimensions: <b>2” H x 14.5”W x 47”</b>
Freight Class: <b>55</b>
Lead Time: <b>1-3 Business Days</b>
Product Weight: <b>20 Lbs.</b>
Ship Weight: <b>21 Lbs.</b>
Product Color: <b>Black</b>
MRSP:
Comments: Two Part Assembly
D= Depth of Product



Made from 100% Recycled Rubber-perfect for exterior, interior, residential and commercial applications, these ramps have no load weight limitations, unlike aluminum ramp products.

**MADE in the USA**





# EZ Edge Transitions™

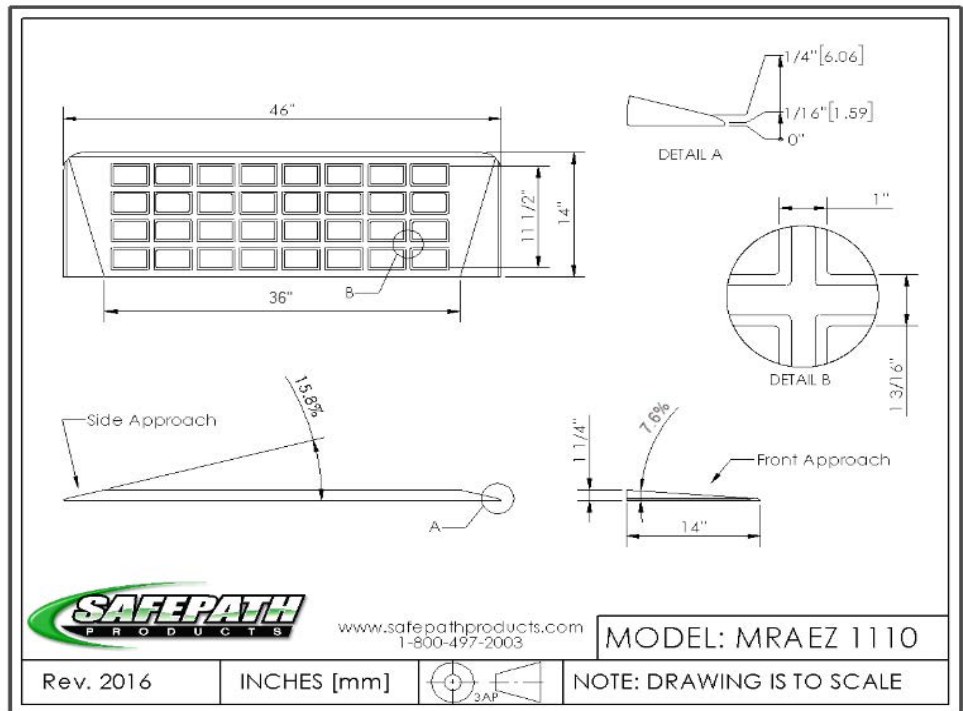
# MRAEZ 1110 1-1/4”H

Product Title: <b>EZ Edge Transition</b>
Model No. <b>MRAEZ 1110</b>
UPC: 857293006451
Product Dimensions: <b>1-1/4” H x 14” D x 46” L</b>
Carton Dimensions: <b>2” H x 14.5” W x 47” L</b>
Freight Class: <b>55</b>
Lead Time: <b>1-3 Business Days</b>
Product Weight: <b>20 Lbs.</b>
Ship Weight: <b>21 Lbs.</b>
Product Color: <b>Black</b>
MRSP:
Comments:
D= Depth of Product



Made from 100% Recycled Rubber-perfect for exterior, interior, residential and commercial applications, these ramps have no load weight limitations, unlike aluminum ramp products.

**MADE in the USA**





# EZ Edge Transitions™

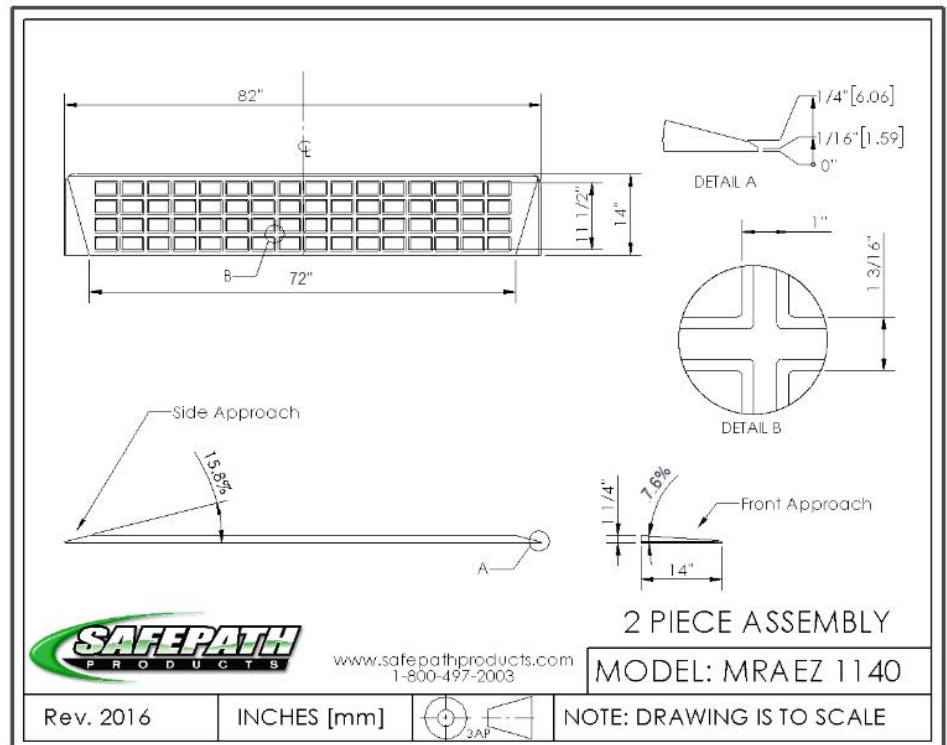
# MRAEZ 1140 1-1/4”H

Product Title: <b>EZ Edge Transition</b>
Model No. <b>MRAEZ 1140</b>
UPC: 857293006468
Product Dimensions: <b>1-1/4” H x 14” D x 82” L</b>
Carton Dimensions: <b>2” H x 14.5” W x 47” L</b>
Freight Class: <b>55</b>
Lead Time: <b>1-3 Business Days</b>
Product Weight: <b>35 Lbs.</b>
Ship Weight: <b>36 Lbs.</b>
Product Color: <b>Black</b>
MRSP:
Comments: <b>Two Part Assembly</b>
D= Depth of Product



Made from 100% Recycled Rubber-perfect for exterior, interior, residential and commercial applications, these ramps have no load weight limitations, unlike aluminum ramp products.

**MADE in the USA**





# EZ Edge Transitions™

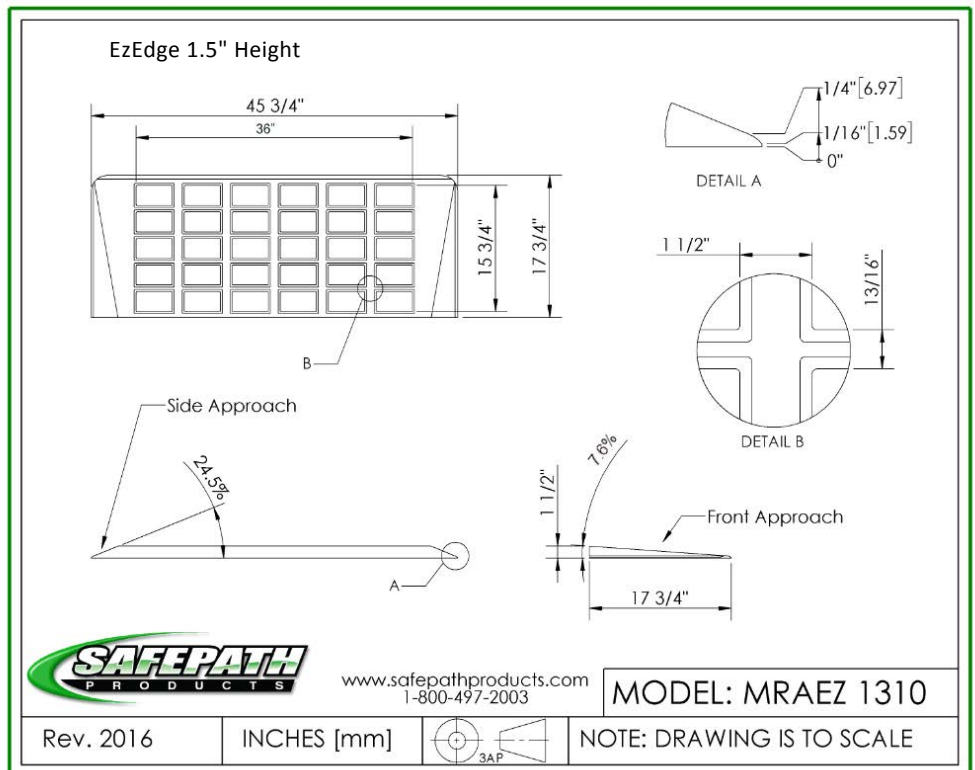
**MRAEZ 1310 1-1/2"H**

Product Title: <b>EZ Edge Transition</b>
Model No. <b>MRAEZ 1310</b>
UPC: 857293006475
Product Dimensions: <b>1-1/2" H x 17.75" D x 46" L</b>
Carton Dimensions: <b>3" H x 23.25" W x 47" L</b>
Freight Class: <b>55</b>
Lead Time: <b>1-3 Business Days</b>
Product Weight: <b>28 Lbs.</b>
Ship Weight: <b>29 Lbs.</b>
Product Color: <b>Black</b>
MRSP:
Comments:
D= Depth of Product



Made from 100% Recycled Rubber-perfect for exterior, interior, residential and commercial applications, these ramps have no load weight limitations, unlike aluminum ramp products.

**MADE in the USA**

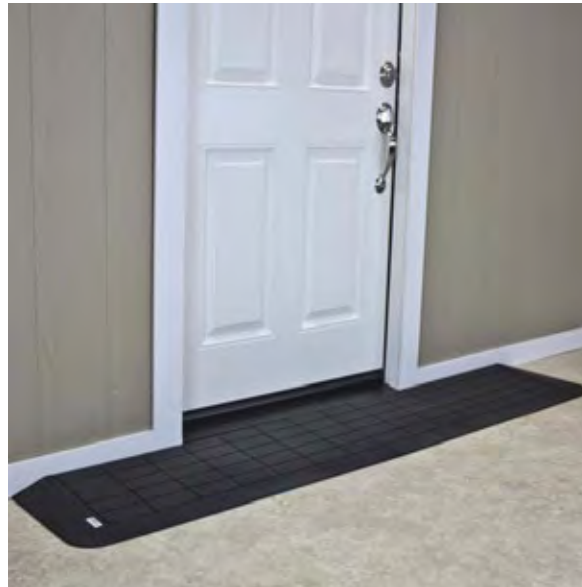




# EZ Edge Transitions™

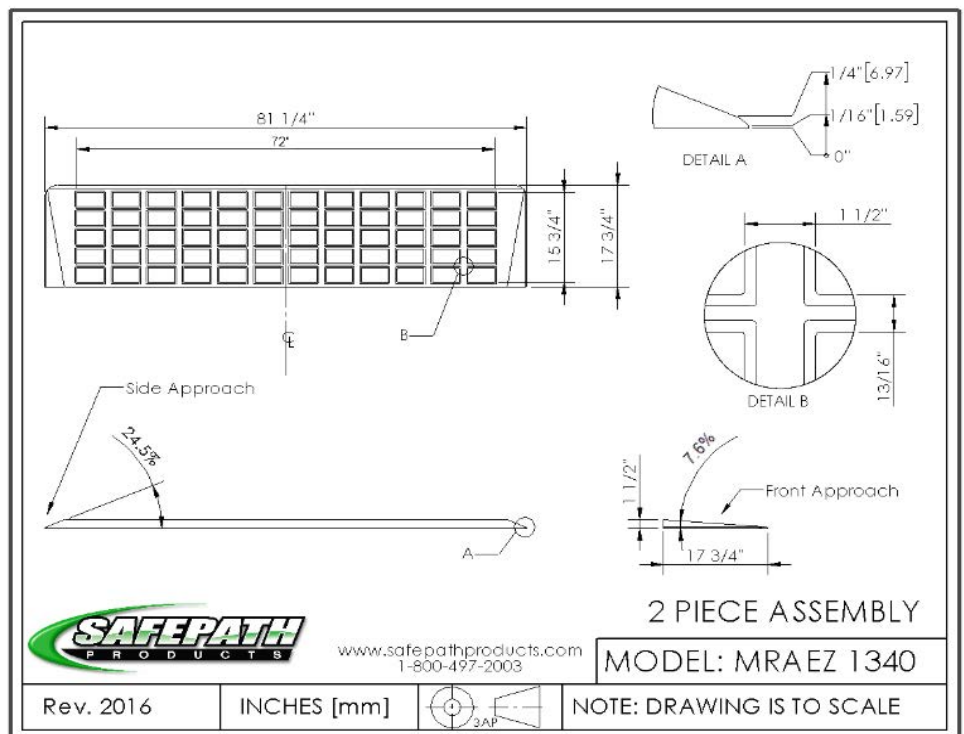
# MRAEZ 1340 1-1/2"H

Product Title: <b>EZ Edge Transition</b>
Model No. <b>MRAEZ 1340</b>
UPC: 857293006482
Product Dimensions: <b>1-1/2" H x 17.75" D x 81.25"</b>
Carton Dimensions: <b>3" H x 23.25" W x 47" L</b>
Freight Class: <b>55</b>
Lead Time: <b>1-3 Business Days</b>
Product Weight: <b>54 Lbs.</b>
Ship Weight: <b>55 Lbs.</b>
Product Color: <b>Black</b>
MRSP:
Comments: <b>Two Part Assembly</b>  D= Depth of Product



Made from 100% Recycled Rubber-perfect for exterior, interior, residential and commercial applications, these ramps have no load weight limitations, unlike aluminum ramp products.

**MADE in the USA**





# EZ Edge Transitions™

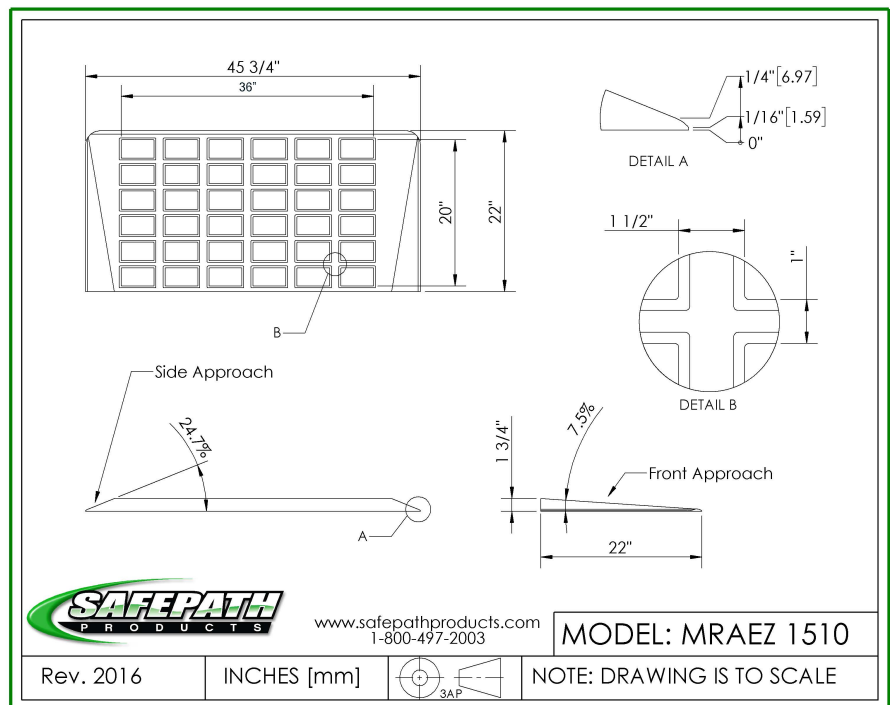
# MRAEZ 1510 1-3/4" H

Product Title: <b>EZ Edge Transition</b>
Model No. <b>MRAEZ 1510</b>
UPC: 857293006499
Product Dimensions: <b>1-3/4" H x 22" D x 46" L</b>
Carton Dimensions: <b>3" H x 23.25" W x 47" L</b>
Freight Class: <b>55</b>
Lead Time: <b>1-3 Business Days</b>
Product Weight: <b>40 Lbs.</b>
Ship Weight: <b>41 Lbs.</b>
Product Color: <b>Black</b>
MRSP:
Comments:
D= Depth of Product



Made from 100% Recycled Rubber-perfect for exterior, interior, residential and commercial applications, these ramps have no load weight limitations, unlike aluminum ramp products.

**MADE in the USA**







# EZ Edge Transitions™

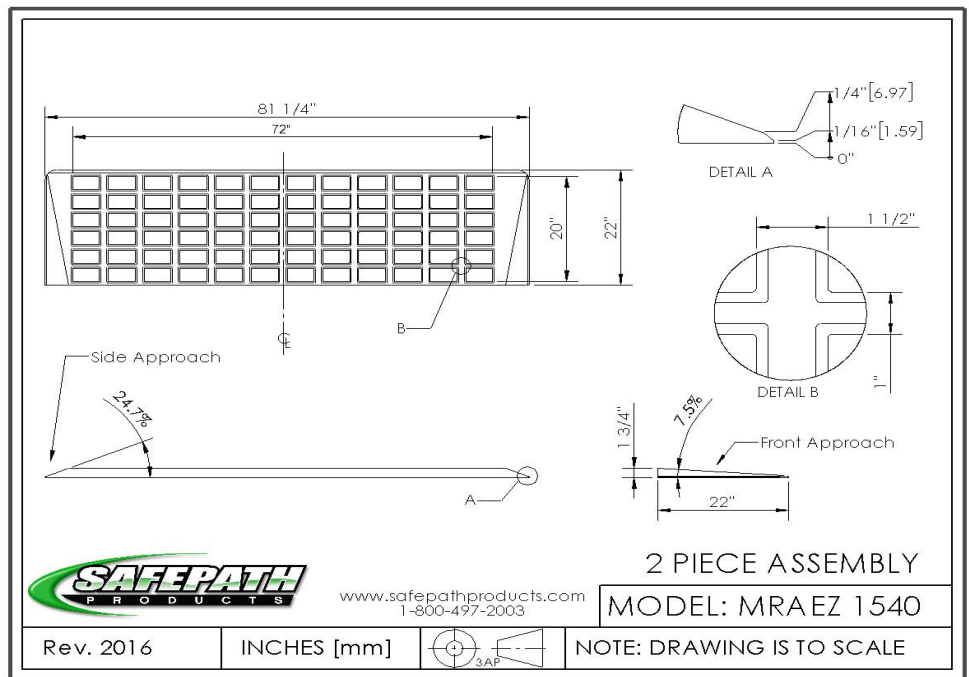
# MRAEZ 1540 1-3/4" H

Product Title: <b>EZ Edge Transition</b>
Model No. <b>MRAEZ 1540</b>
UPC: <b>857293006499</b>
Product Dimensions: <b>1-3/4" H x 22" D x 81.25" L</b>
Carton Dimensions: <b>3" H x 23.25" W x 47" L</b>
Freight Class: <b>55</b>
Lead Time: <b>1-3 Business Days</b>
Product Weight: <b>68 Lbs.</b>
Ship Weight: <b>2 packages @ 35 Lbs.</b>
Product Color: <b>Black</b>
MRSP:
Comments: <b>Two Part Assembly</b>
D= Depth of Product



Made from 100% Recycled Rubber-perfect for exterior, interior, residential and commercial applications, these ramps have no load weight limitations, unlike aluminum ramp products.

**MADE in the USA**

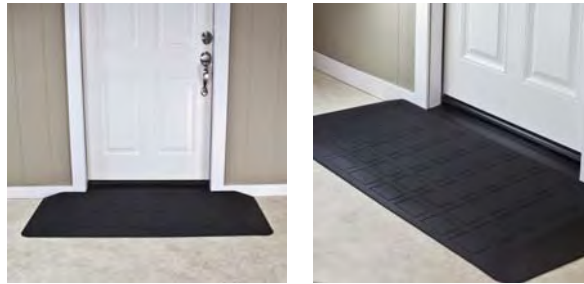




# EZ Edge Transitions™

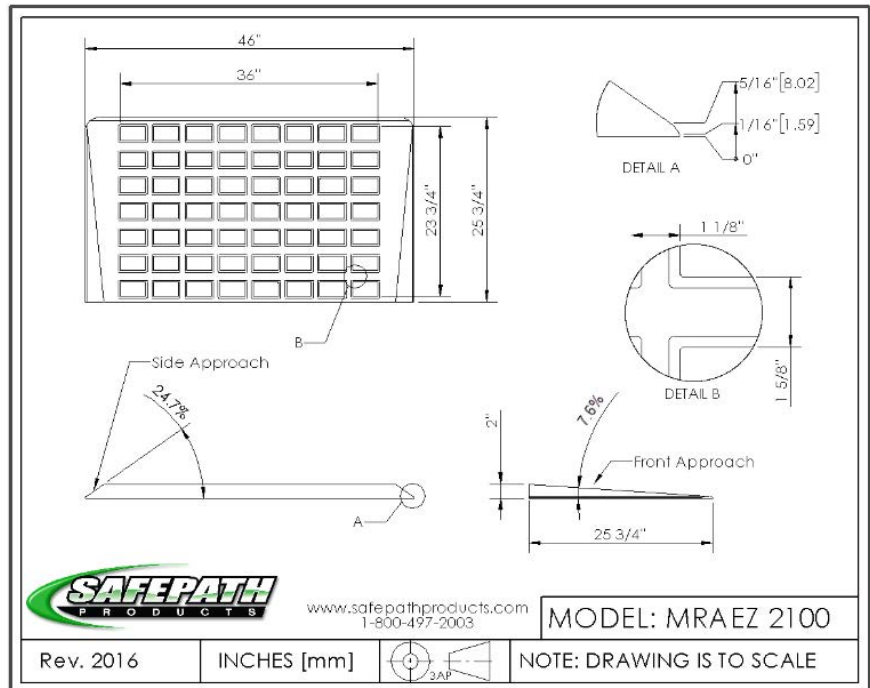
# MRAEZ 2100 2" H

Product Title: <b>EZ Edge Transition</b>
Model No. <b>MRAEZ 2100</b>
UPC: <b>857293006512</b>
Product Dimensions: <b>2" H x 23" D x 46.5" L</b>
Carton Dimensions: <b>3" H x 35" W x 47" L</b>
Freight Class: <b>55</b>
Lead Time: <b>1-3 Business Days</b>
Product Weight: <b>54 Lbs.</b>
Ship Weight: <b>55</b>
Product Color: <b>Black</b>
MRSP:
Comments:
D= Depth of Product



Made from 100% Recycled Rubber-perfect for exterior, interior, residential and commercial applications, these ramps have no load weight limitations, unlike aluminum ramp products.

**MADE in the USA**





# EZ Edge Transitions™

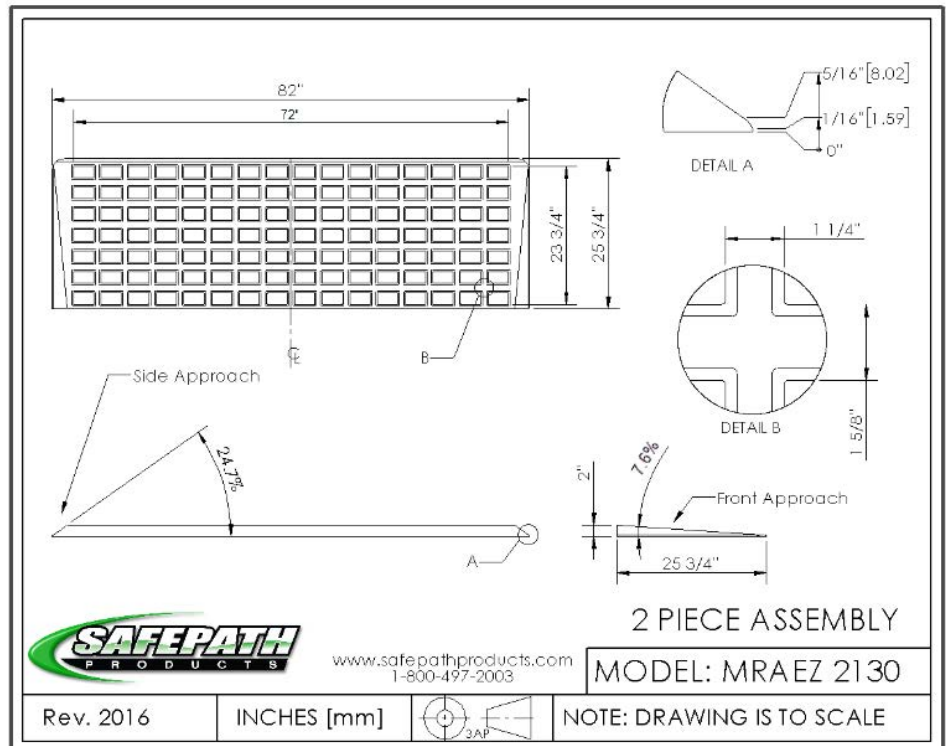
# MRAEZ 2130 2" H

Product Title: <b>EZ Edge Transition</b>
Model No. <b>MRAEZ 2130</b>
UPC: <b>857293006529</b>
Product Dimensions: <b>2" H x 23" D x 82" L</b>
Carton Dimensions: <b>3" H x 35" W x 47" L</b>
Freight Class: <b>55</b>
Lead Time: <b>1-3 Business Days</b>
Product Weight: <b>84 Lbs.</b>
Ship Weight: <b>2 packages @ 43 Lbs.</b>
Product Color: <b>Black</b>
MRSP:
Comments: <b>Two Part Assembly</b>
D= Depth of Product



Made from 100% Recycled Rubber-perfect for exterior, interior, residential and commercial applications, these ramps have no load weight limitations, unlike aluminum ramp products.

**MADE in the USA**

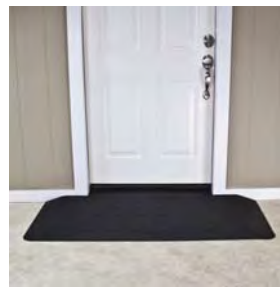




# EZ Edge Transitions™

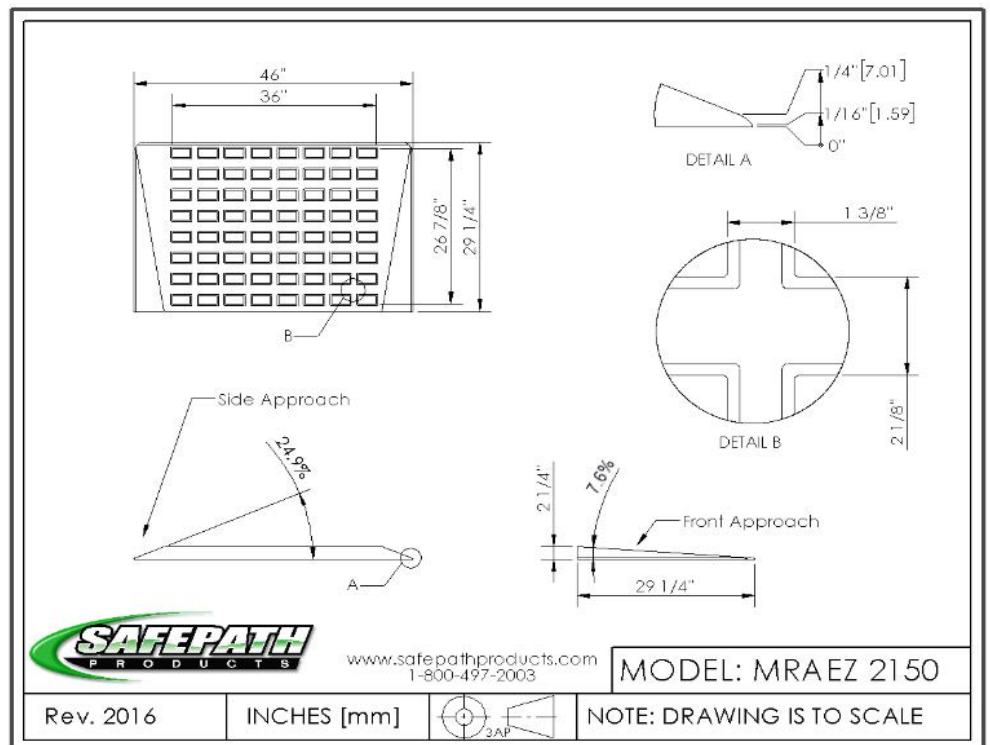
# MRAEZ 2150 2-1/4" H

Product Title: <b>EZ Edge Transition</b>
Model No. <b>MRAEZ 2150</b>
UPC: 857293006536
Product Dimensions: <b>2-1/4" H x 29.75" D x 46" L</b>
Carton Dimensions: <b>3" H x 35" W x 47" L</b>
Freight Class: <b>55</b>
Lead Time: <b>1-3 Business Days</b>
Product Weight: <b>62 Lbs.</b>
Ship Weight: <b>63 Lbs.</b>
Product Color: <b>Black</b>
MRSP:
Comments: D= Depth of Product



Made from 100% Recycled Rubber-perfect for exterior, interior, residential and commercial applications, these ramps have no load weight limitations, unlike aluminum ramp products.

**MADE in the USA**

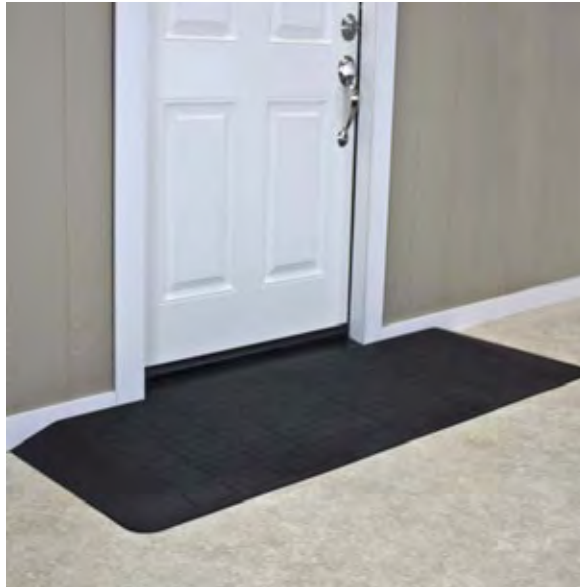




# EZ Edge Transitions™

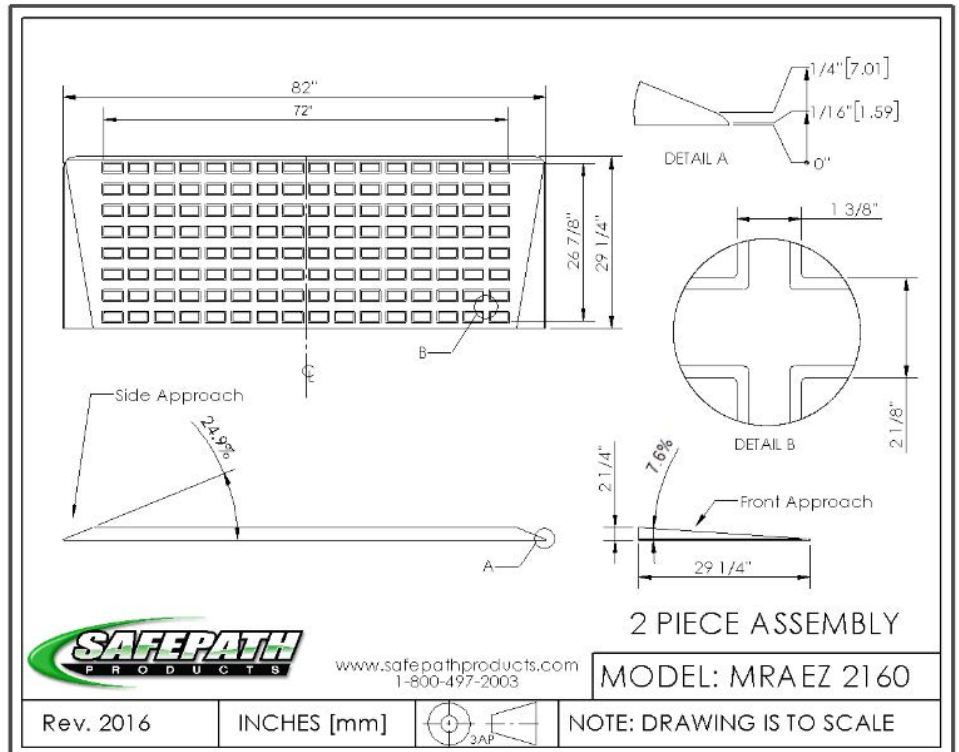
# MRAEZ 2160 2-1/4" H

Product Title: <b>EZ Edge Transition</b>
Model No. <b>MRAEZ2160</b>
UPC: 85729300654
Product Dimensions: <b>2-1/4" H x 29.75" D x 82" L</b>
Carton Dimensions: <b>3" H x 35" W x 47" L</b>
Freight Class: <b>55</b>
Lead Time: <b>1-3 Business Days</b>
Product Weight: <b>122 Lbs.</b>
Ship Weight: <b>2 packages @ 62 Lbs</b>
Product Color: <b>Black</b>
MRSP:
Comments: <b>Two Part Assembly</b> D= Depth of Product



Made from 100% Recycled Rubber-perfect for exterior, interior, residential and commercial applications, these ramps have no load weight limitations, unlike aluminum ramp products.

**MADE in the USA**





# EZ Edge Transitions™

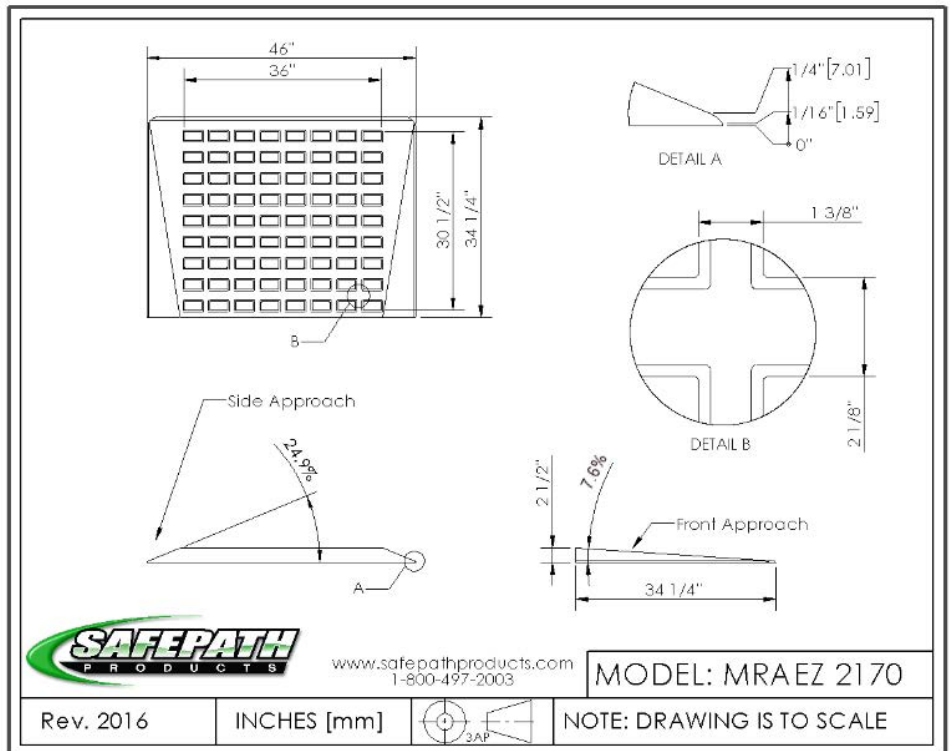
# MRAEZ 2170 2-1/2" H

Product Title: <b>EZ Edge Transition</b>
Model No. <b>MRAEZ 2170</b>
UPC: 857293006550
Product Dimensions: <b>2-1/2" H x 30" D x 46" L</b>
Carton Dimensions: <b>3" H x 35" W x 47" L</b>
Freight Class: <b>55</b>
Lead Time: <b>1-3 Business Days</b>
Product Weight: <b>82 Lbs.</b>
Ship Weight: <b>83 Lbs.</b>
Product Color: <b>Black</b>
MRSP:
Comments: <b>Non-ADA Ramp</b> <b>Two Part Assembly</b> D= Depth of Product



Made from 100% Recycled Rubber-perfect for exterior, interior, residential and commercial applications, these ramps have no load weight limitations, unlike aluminum ramp products.

**MADE in the USA**

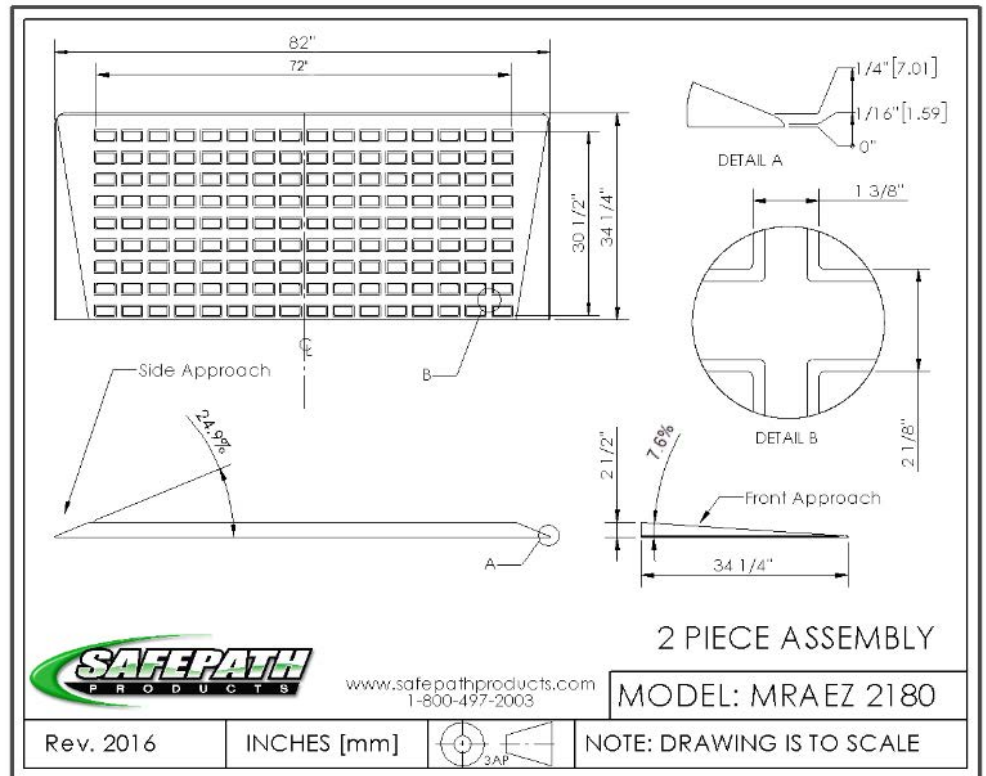
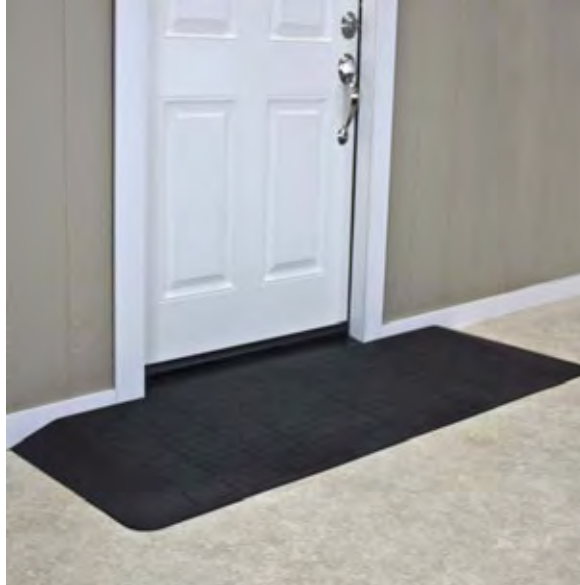




# EZ Edge Transitions™

# MRAEZ 2180 2-1/2" H

Product Title: <b>EZ Edge Transition</b>
Model No. <b>MRAEZ2180</b>
UPC: 857293006567
Product Dimensions: <b>2-1/2" H x 30" D x 82" L</b>
Carton Dimensions: <b>3" H x 35" W x 47" L</b>
Freight Class: <b>55</b>
Lead Time: <b>1-3 Business Days</b>
Product Weight: <b>148 Lbs.</b>
Ship Weight: <b>2 packages @ 75 Lbs</b>
Product Color: <b>Black</b>
MRSP:
Comments: <b>Two Part Assembly</b> D= Depth of Product



Made from 100% Recycled Rubber-perfect for exterior, interior, residential and commercial applications, these ramps have no load weight limitations, unlike aluminum ramp products.

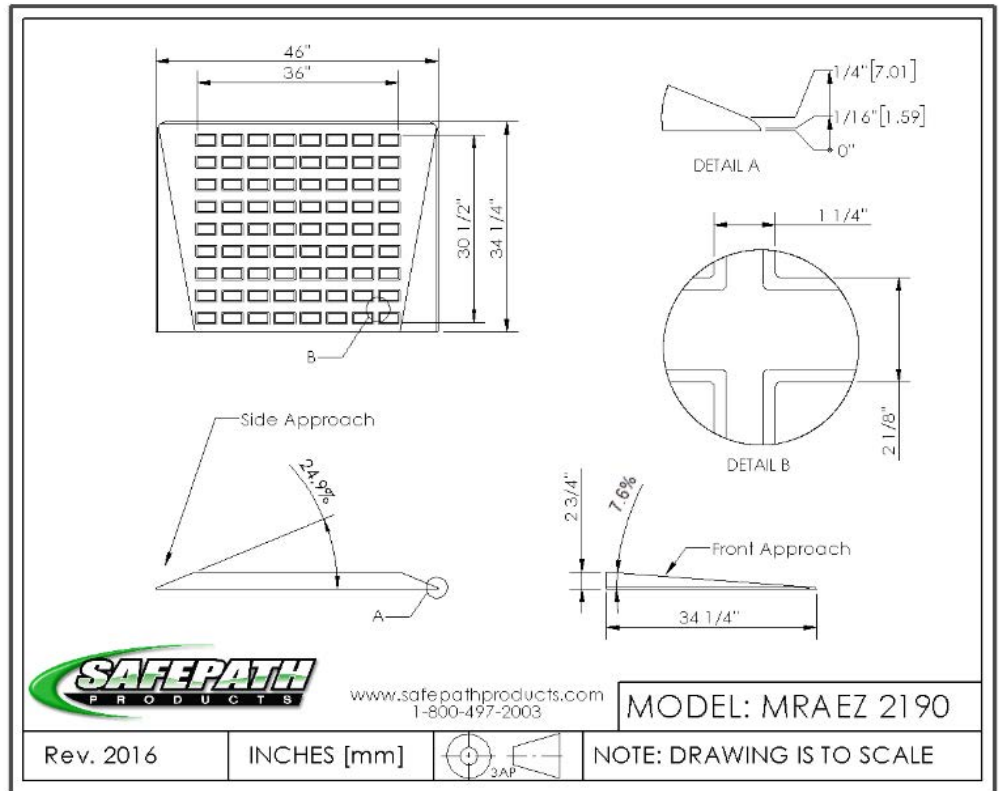
**MADE in the USA**



# EZ Edge Transitions™

# MRAEZ 2190 2-3/4" H

Product Title: <b>EZ Edge Transition</b>
Model No. <b>MRAEZ 2190</b>
UPC: 857293006574
Product Dimensions: <b>2-3/4" H x 34" D x 46" L</b>
Carton Dimensions: <b>3" H x 35" W x 47" L</b>
Freight Class: <b>55</b>
Lead Time: <b>1-3 Business Days</b>
Product Weight: <b>94 Lbs.</b>
Ship Weight: <b>95 Lbs.</b>
Product Color: <b>Black</b>
MRSP:
Comments: <b>Non-ADA Ramp</b> <b>Two Part Assembly</b> D= Depth of Product



Made from 100% Recycled Rubber-perfect for exterior, interior, residential and commercial applications, these ramps have no load weight limitations, unlike aluminum ramp products.

MADE in the USA

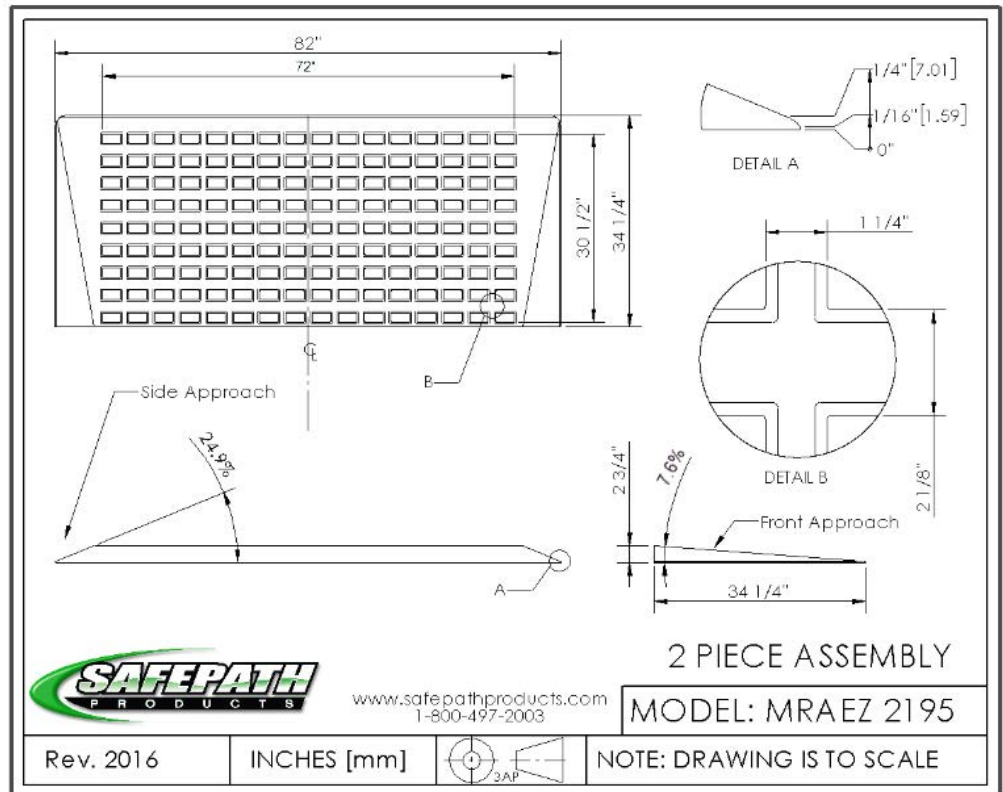
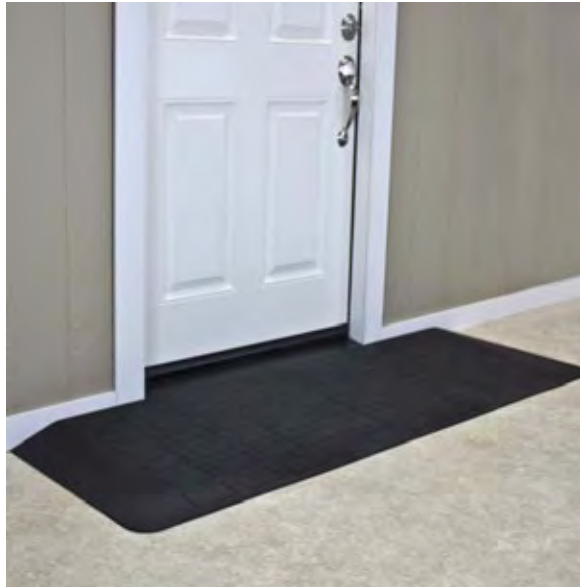




# EZ Edge Transitions™

# MRAEZ 2195 2-3/4" H

Product Title: <b>EZ Edge Transition</b>
Model No. <b>MRAEZ2195</b>
UPC: 857293006581
Product Dimensions: <b>2-3/4" H x 34.25" D x 82" L</b>
Carton Dimensions: <b>3" H x 35" W x 47" L</b>
Freight Class: <b>55</b>
Lead Time: <b>1-3 Business Days</b>
Product Weight: <b>148 Lbs.</b>
Ship Weight: <b>2 packages @ 75 Lbs</b>
Product Color: <b>Black</b>
MRSP:
Comments: <b>Two Part Assembly</b> D= Depth of Product



Made from 100% Recycled Rubber-perfect for exterior, interior, residential and commercial applications, these ramps have no load weight limitations, unlike aluminum ramp products.

**MADE in the USA**

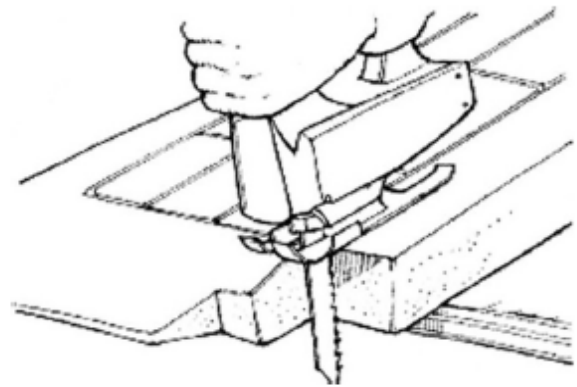


## EZEdge™ & Stonecap™ Threshold Ramp Installation Instructions

1. It is imperative that your substrate is CLEAN & FREE OF DEBRIS before beginning installation. A clean, dry substrate ensures maximum adhesion.
2. Dry fit the product by placing it flush against the threshold.
3. Use painter's tape to outline the ramp.
4. Remove ramp.
5. Generously apply adhesive to substrate. (We strongly recommend *SikaFiex 1a* brand adhesive). For best results, apply with a caulking gun, then use a notched cemenUgrout hand trowel to spread evenly.
6. Replace ramp onto adhesive surface.
7. Apply pressure to ramp evenly. Some glue may leak out onto tape.
8. After ramp is in place with adhesive, carefully remove painter's tape.
9. Excess adhesive can be cleaned from the substrate or product by applying acetone or paint thinner.

\*\*If not permanently adhering the ramp to the sub-floor you may use a "temporary" silicon based adhesive or commercial double stick tape.

***\*\*Note: Excess adhesive will stain clothing, shoes and carpet - immediately clean any excess.\*\****



## WARNING

We DO NOT recommend the use of a power circular saw to cut ramp products. The use of any electrical, battery, or pneumatic powered circular saw may result in serious injury due to unexpected binding, grabbing, or pinching of ramp material.

# MATERIAL SAFETY DATA SHEET

**IDENTITY (As used on label and list)**

**Rubber Transitions & Flat Stock**

**Section I**

SafePath Products  
21 Valley Court  
Chico CA 95973  
FAX: 530-893-1560



[www.SafePathProducts.com](http://www.SafePathProducts.com)  
[info@safepathproducts.com](mailto:info@safepathproducts.com)

**Emergency Telephone Number**  
530-893-1596

**Telephone Number for Information**  
800-497-2003

**Date Prepared**  
2/3/09

**Signature of Preparer (Optional)**

Polyurethane elastomers are fully reacted polymers, forming articles with are not considered hazardous under OSHA's criteria in 29CFR1910.1200.

**Section II – Hazardous Ingredients/Identity Information**

**Hazardous Components (Specific Chemical Identity/Common Name(s))**      **OSHA PEL**      **ACGIH TLV**      **NIOSH REL**      **%(optional)**

None

**Section III – Physical/Chemical Characteristics**

<b>Boiling Point</b>	N/A	<b>Specific Gravity (H2O=1)</b>	N/A
<b>Vapor Pressure (mm Hg.)</b>	N/A	<b>Melting Point</b>	N/A
<b>Vapor Density (AIR=1)</b>	N/A	<b>Evaporation Rate (Butyl Acetate=1)</b>	N/A
<b>Solubility in Water</b>	N/A		
<b>Appearance and Odor</b>	N/A		

**Section IV – Fire & Explosion Data**

<b>Flash Point (Method Used):</b>	N/A	<b>Flammable Levels:</b>	<b>LEL:</b> N/A	<b>UEL:</b> N/A
<b>Extinguishing Media:</b>				
<b>Special Fire Fighting Procedures:</b>	Wear pressure demand self-contained breathing apparatus and protective clothing			
<b>Unusual Fire and Explosion Hazard:</b>	N/A			

**Section V – Reactivity Data**

<b>Stability:</b> Stable <input checked="" type="checkbox"/> Unstable <input type="checkbox"/>	<b>Conditions to avoid:</b> N/A		
<b>Incompatibility (Materials to avoid):</b>	N/A		
<b>Hazardous Decomposition or Byproducts:</b>	Oxides of Carbon and Nitrogen		
<b>Hazardous Polymerization:</b>	May Occur <input type="checkbox"/>	Will Not Occur <input checked="" type="checkbox"/>	<b>Conditions to Avoid:</b> N/A

**Section VI – Health Hazard Data**

<b>Route(s) of Entry:</b>	<b>Inhalation?</b> No	<b>Skin?</b> No	<b>Ingestion?</b> No
<b>Health Hazards (Acute &amp; Chronic):</b>			
<b>Carcinogenicity:</b>	<b>NTP?</b> No	<b>IARC Monographs?</b> No	<b>OSHA Regulated?</b> No
<b>Signs &amp; Symptoms of Exposure:</b>	N/A		
<b>Medical Conditions Generally Aggravated by Exposure:</b>	N/A		
<b>Emergency &amp; First Aid Procedures</b>	N/A		

**Section VII – Precautions for Safe Handling**

<b>Steps to be taken in case of material spillage or release:</b>	N/A
<b>Waste Disposal Method:</b>	Dispose of in accordance with Federal, State and Local Environmental Regulations.
<b>Precautions to be taken in Handling &amp; Storing:</b>	N/A
<b>Other Precautions:</b>	N/A

**Section VIII – Control Measures**

<b>Respiratory Protection (Specify Type):</b>	N/A			
<b>Ventilation:</b>	<b>Local Exhaust:</b> N/A	<b>Mechanical (General):</b> N/A	<b>Special:</b> N/A	<b>Other:</b> N/A
<b>Protective Gloves:</b>	N/A	<b>Protective Eyewear:</b>	N/A	
<b>Other Protective Clothing or Equipment:</b>	N/A			
<b>Work/Hygiene/Maintenance Programs</b>	N/A			