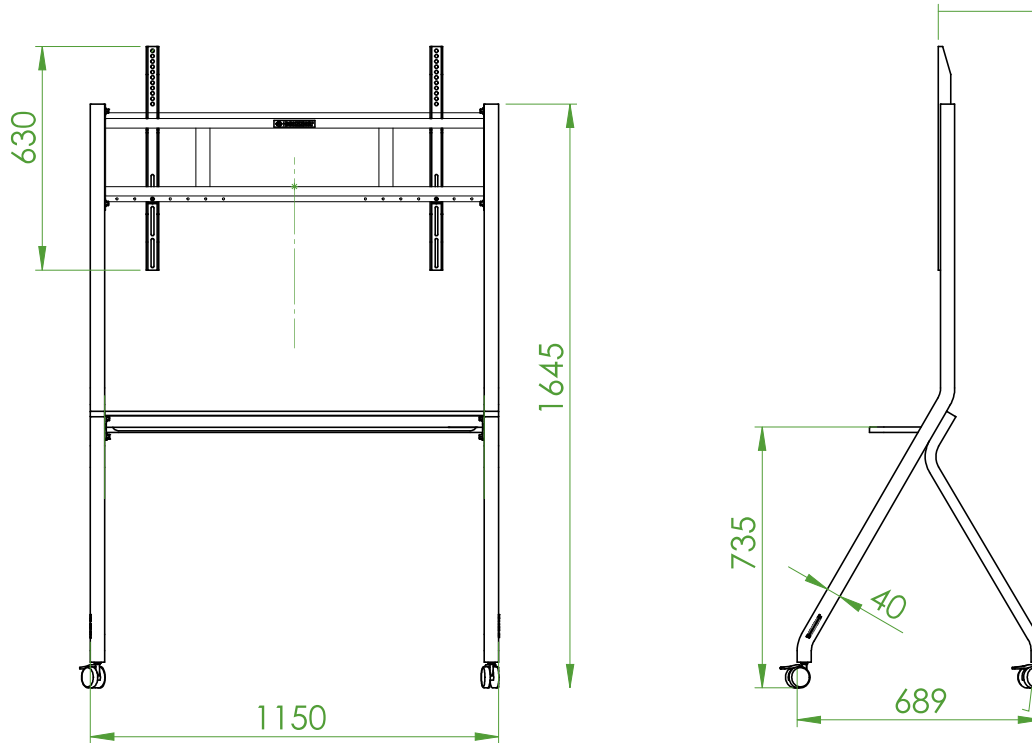


**LET'S GET
SPECIFIC!**



PRODUCT NUMBER

i3CONNECT Stand 2

10010742

DIMENSIONS

- Dimensions - **product (L x W x D)**:
1770 x 665 x 1150 mm

MOUNTING SYSTEM

- Large wheels for smooth rolling
- colour trolley: black / dark silver
- Fits 55" - 86" display screens
- Load capacity: 120 kg
- VESA pattern range:
200 x 200 mm - 1000 x 600 mm

QUALITY & SAFETY

- CE certified
- 2 years or warranty based on carry-in

LOGISTIC DIMENSIONS

- Box size (mm): 1630(W) x 755 (H) x 160 (D)
- Gross weight per box: 21.6 kg
- EAN number: **8719481482305**

CHECK OUT WWW.I3-CONNECT.COM FOR MORE INFORMATION

All rights reserved. i3CONNECT products and services mentioned herein as well as their respective logos are trademarks or registered trademarks of i3-Technologies BV. All other product and service names mentioned are the trademarks of their respective owners. All weights and dimensions are approximate. Product specifications are subject to change without prior notification.