



US00D916953S

(12) **United States Design Patent**
Davis

(10) **Patent No.:** **US D916,953 S**

(45) **Date of Patent:** **** Apr. 20, 2021**

(54) **TUNING MACHINE BACKPLATE**
(71) Applicant: **Larry Davis**, North Fort Myers, FL
(US)

D280,522 S * 9/1985 Page D17/20
D280,523 S * 9/1985 Smith D17/20
D280,524 S * 9/1985 Smith D17/20
D673,209 S * 12/2012 Reboul D17/20

(72) Inventor: **Larry Davis**, North Fort Myers, FL
(US)

* cited by examiner

(**) Term: **15 Years**

Primary Examiner — R. Johnson
(74) *Attorney, Agent, or Firm* — Scarinci Hollenbeck,
LLC; Libby Babu Varghese

(21) Appl. No.: **29/702,421**

(57) **CLAIM**

(22) Filed: **Aug. 19, 2019**

The ornamental design for a tuning machine backplate, as shown and described.

(51) **LOC (13) Cl.** **17-99**

DESCRIPTION

(52) **U.S. Cl.** **D17/99**
USPC **D17/99**

(58) **Field of Classification Search**
USPC D17/20, 22, 99; D21/405
CPC G10D 99/00; G10D 15/00; G10D 13/00;
G10D 13/14; G10D 13/147; G10D 13/20
See application file for complete search history.

FIG. 1 is a perspective view of my new design;
FIG. 2 is a front view thereof;
FIG. 3 is a rear view thereof;
FIG. 4 is a left-side view thereof;
FIG. 5 is a right-side view thereof;
FIG. 6 is a first end view thereof; and,
FIG. 7 is a second end view thereof.

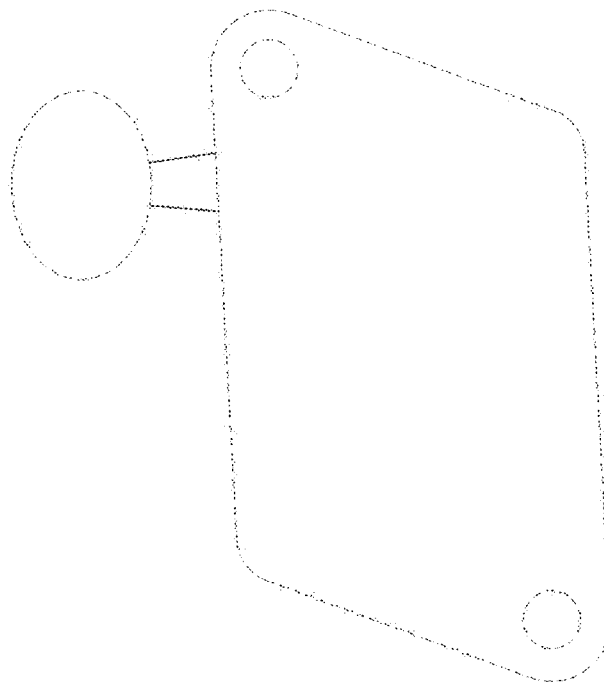
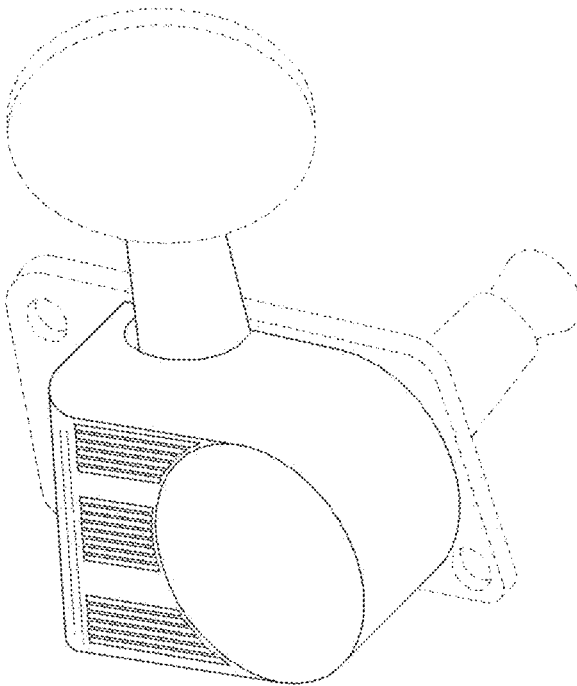
(56) **References Cited**

The broken lines are for the purpose of illustrating portions of the tuning machine backplate that form no part of the claimed design.

U.S. PATENT DOCUMENTS

D210,981 S * 5/1968 Thompson D17/20
D216,049 S * 11/1969 Dreyer D17/20

1 Claim, 5 Drawing Sheets



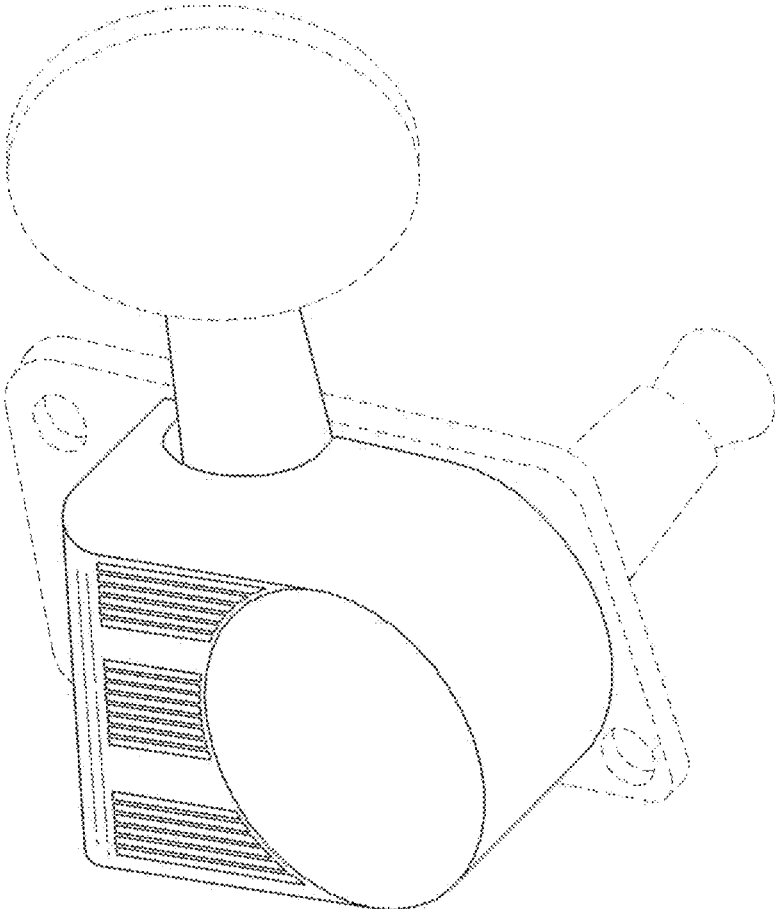


FIG. 1

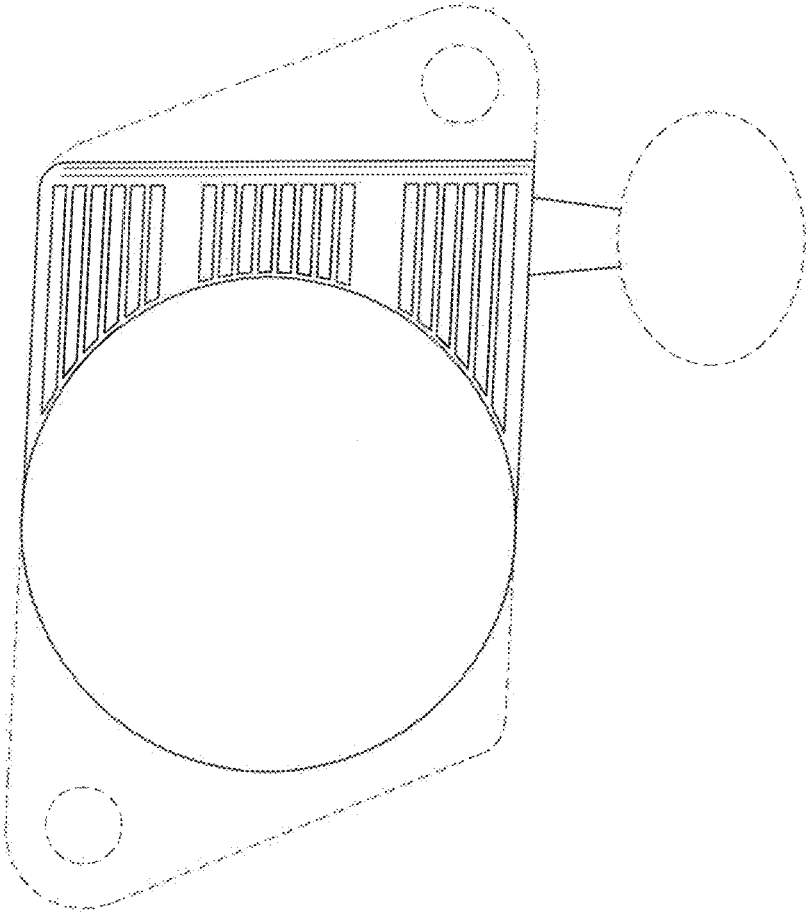


FIG. 2

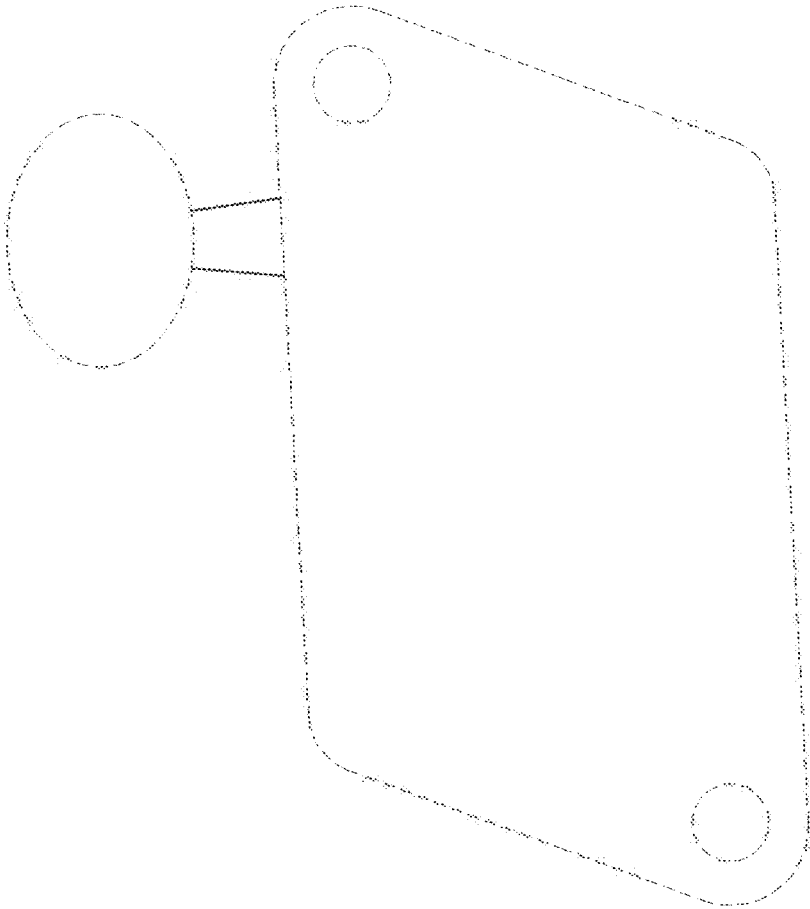


FIG. 3

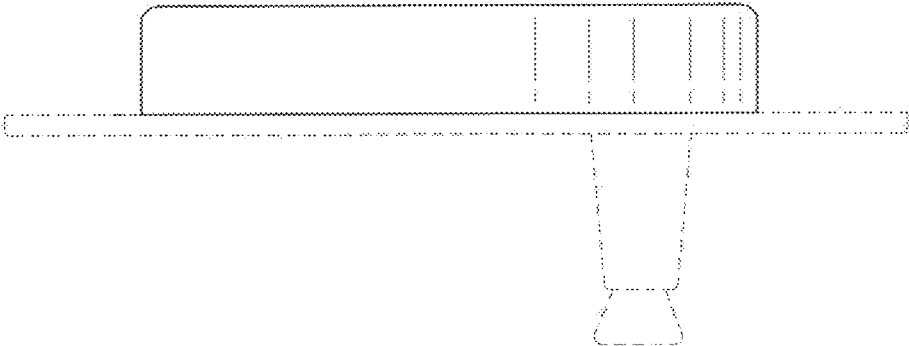


FIG. 4

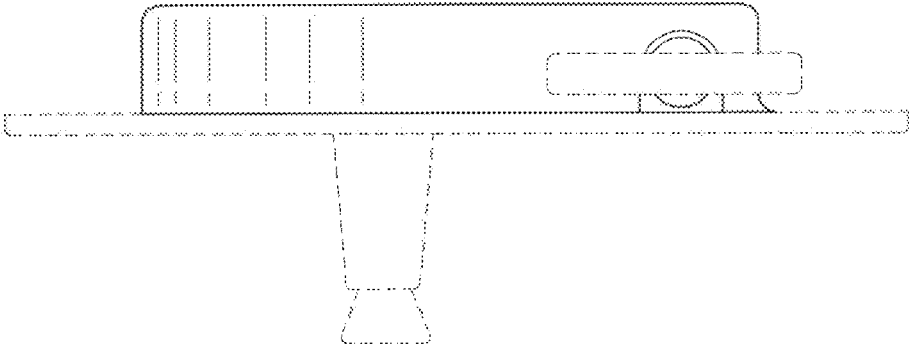


FIG. 5

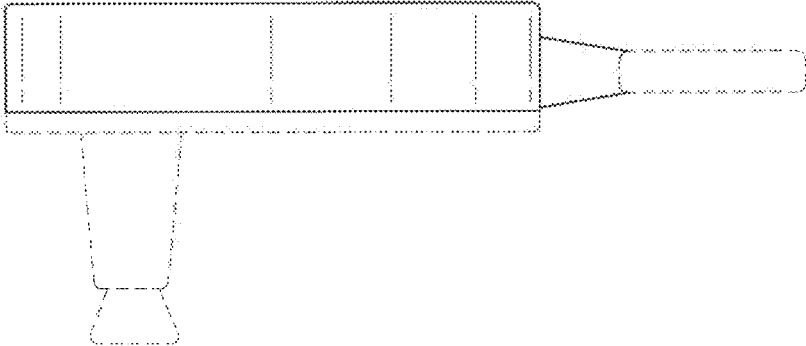


FIG. 6

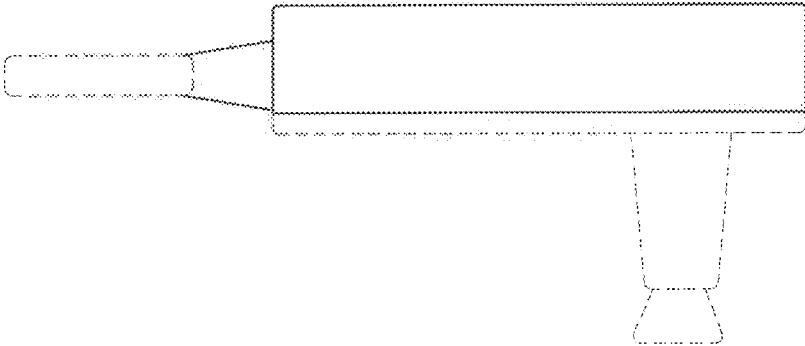


FIG. 7