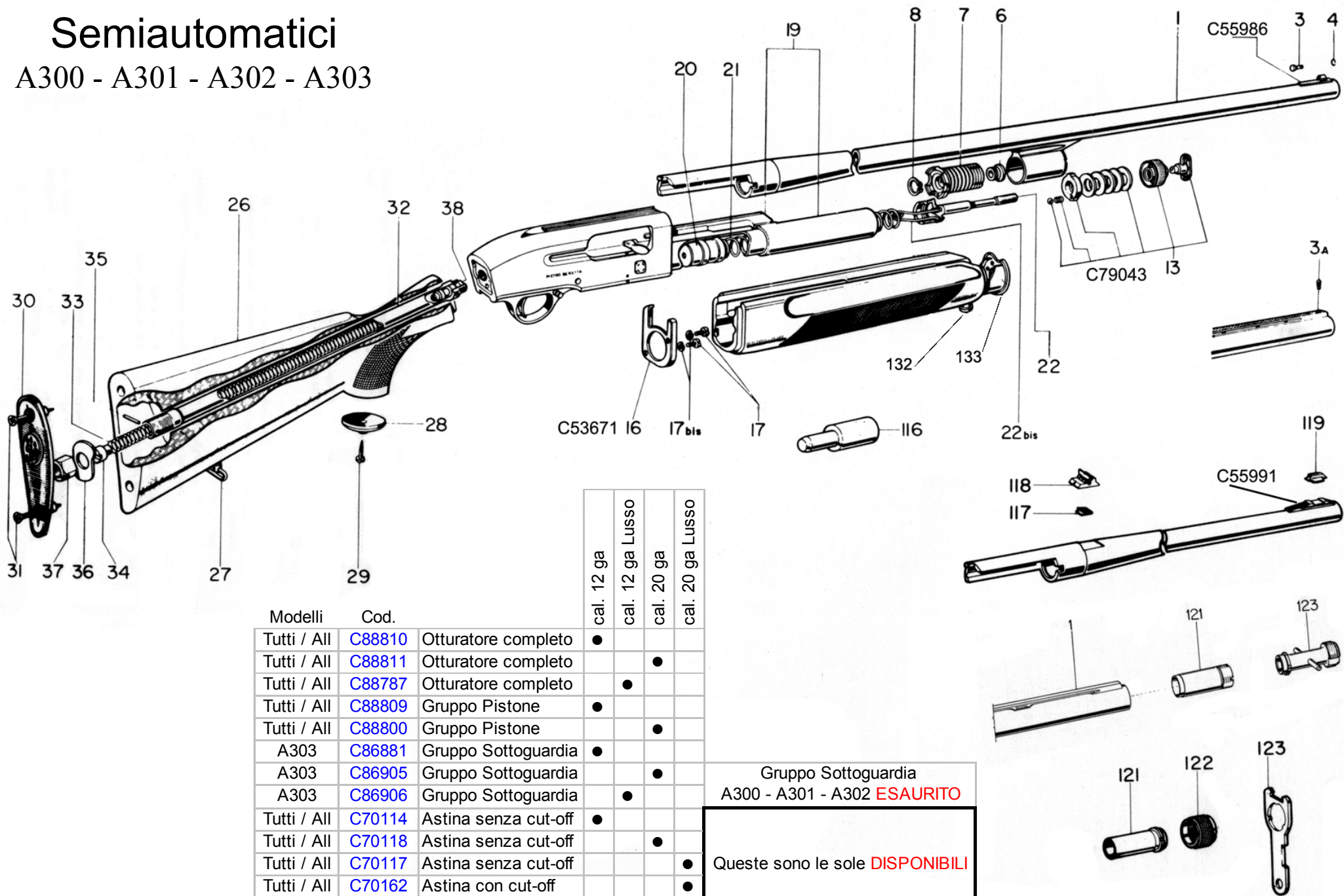


Semiautomatici

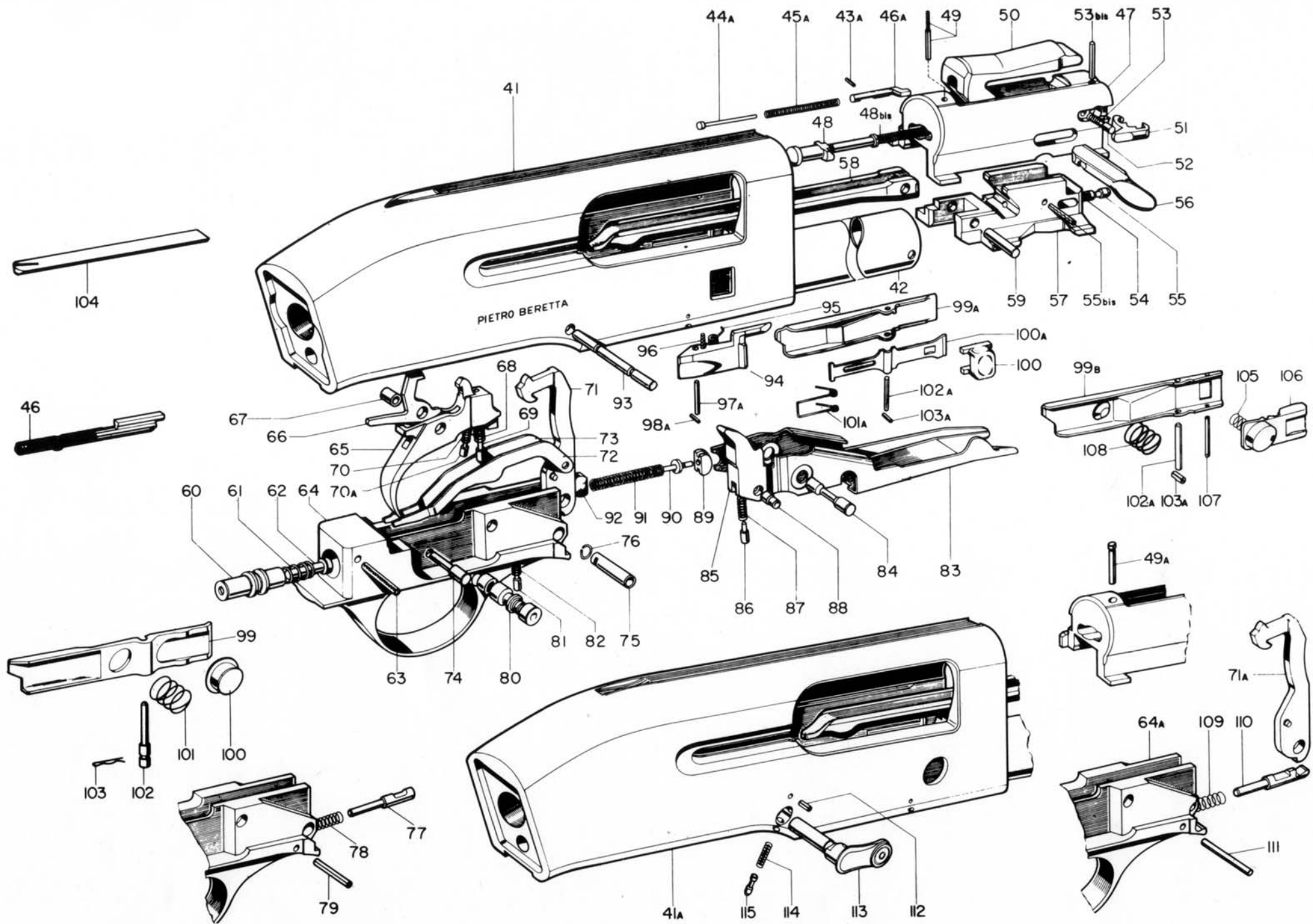
A300 - A301 - A302 - A303



Modelli	Cod.		cal. 12 ga	cal. 12 ga Lusso	cal. 20 ga	cal. 20 ga Lusso
Tutti / All	C88810	Otturatore completo	●			
Tutti / All	C88811	Otturatore completo			●	
Tutti / All	C88787	Otturatore completo		●		
Tutti / All	C88809	Gruppo Pistone	●			
Tutti / All	C88800	Gruppo Pistone			●	
A303	C86881	Gruppo Sottoguardia	●			
A303	C86905	Gruppo Sottoguardia			●	
A303	C86906	Gruppo Sottoguardia		●		
Tutti / All	C70114	Astina senza cut-off	●			
Tutti / All	C70118	Astina senza cut-off			●	
Tutti / All	C70117	Astina senza cut-off				●
Tutti / All	C70162	Astina con cut-off				●
A303	C70152	Astina senza cut-off				●

Gruppo Sottoguardia
A300 - A301 - A302 **ESAUITO**

Queste sono le sole **DISPONIBILI**



N°	Cod.	Mod.										Descrizione	Description	Description
		A300				A301	A302	A303						
		1a		2a		cal./ga.	cal./ga.	cal./ga.						
		12	20	12	20	12	20	12	20					
1*		Codice a 13 cifre - 13 digits cod.										Canna	Barrel	Canon
3	C53649	●	●	●	●	●	●	●	●	●	●	Busta con 4 Mirini Luminosi	Front sight (4 colours sights)	Guidon (4 couleurs)
3A	C53675	●	●	●	●	●	●	●	●	●	●	Mirino canna b.v.	Front sight, ventilated rib	Guidon canon b.v.
4	C90095	●	●	●	●	●	●	●	●	●	●	Molla tenuta mirino	Front sight snap ring	Bague de retenue du guidon
6	C50751	●	●	●	●	●	●	●	●	●	●	Bussola tenuta pistone	Piston bush	Douille du piston
7	C55889	●	●	●	●	●	●	●	●	●	●	Pistone	Piston	Piston
	C55891	●	●	●	●	●	●	●	●	●	●	Pistone	Piston	Piston
8	C97019	●	●	●	●	●	●	●	●	●	●	Anello elastico bussola pistone	Piston bush snap ring	Bague de la douille du piston
13	C79043	●	●	●	●	●	●	●	●	●	●	Tappo anteriore (con maglietta)	Fore-end cap (with sivel)	Bouchon du devant bois (avec anneau)
	C78998	●	●	●	●	●	●	●	●	●	●	Tappo anteriore (senza maglietta)	Fore-end cap (without swivel)	Bouchon du devant bois (sans anneau)
15	C70114	●	●	●	●	●	●	●	●	●	●	Astina opaca completa	Fore-end (complete)	Devant bois mat (compiet)
	C70117	●	●	●	●	●	●	●	●	●	●	Astina opaca con calotta e gancio	Fore-end (complete) and catch	Devant bois mat avec collerette et crochet
	C70118	●	●	●	●	●	●	●	●	●	●	Astina opaca completa	Fore-end (complete)	Devant bois mat (complier)
	C70122	●	●	●	●	●	●	●	●	●	●	Astina Lucida completa	Fore-end (complete)	Devant bois mat (compiet)
	C70152	●	●	●	●	●	●	●	●	●	●	Astina opaca con calotta e gancio	Fore-end (complete) and catch	Devant bois mat avec collerette et crochet
	C70162	●	●	●	●	●	●	●	●	●	●	Astina opaca completa	Fore-end (complete)	Devant bois mat (complier)
16	C52844	●	●	●	●	●	●	●	●	●	●	Guaina astina	Fore-end cover	Guaine du devant bois
	C52688	●	●	●	●	●	●	●	●	●	●	Guaina astina, mod. SF	Fore-end cover mod. SF	Guaine du devant bois, mod. SF
	C52850	●	●	●	●	●	●	●	●	●	●	Guaina astina	Fore-end cove	Guaine du devant bois
17	C97025	●	●	●	●	●	●	●	●	●	Vite guaina (2 pezzi)	Fore-end cover screw (2 pieces)	Vis de la guaine du devant bois (2 pièces)	
17bis	C97027	●	●	●	●	●	●	●	●	●	Rosetta elastica	Spring washer	Rondelle élastique	
19	C70034	ESAURITO - DISCONTINUED										Asta armamento	Operating rod	Tige d'armement
	C70035	ESAURITO - DISCONTINUED										Asta armamento, mod. Magnum	Operating rod, mod. Magnum	Tige d'armement, mod. Magnum
	C70036	●	●	●	●	●	●	●	●	●	●	Asta armamento	Operating rod	Tige d'armement
	C70037	●	●	●	●	●	●	●	●	●	●	Asta armamento	Operating rod	Tige d'armement
	C70038	●	●	●	●	●	●	●	●	●	●	Asta armamento	Operating rod	Tige d'armement
	C70039	●	●	●	●	●	●	●	●	●	●	Asta armamento	Operating rod	Tige d'armement
20	C50589	●	●	●	●	●	●	●	●	●	●	Bicchiera serbatoio	Magazine follower	Poussoir du magasin
	C50588	●	●	●	●	●	●	●	●	●	●	Bicchiera serbatoio	Magazine follower	Poussoir du magasin
21	C90089	●	●	●	●	●	●	●	●	●	●	Molla serbatoio	Magazine spring	R ressort du magasin
	C90130	●	●	●	●	●	●	●	●	●	●	Molla serbatoio	Magazine spring	R ressort du magasin
22	C56797	●	●	●	●	●	●	●	●	●	●	Tappo tubo serbatoio	Magazine tube cap	Bouchon du magasin
	C56798	●	●	●	●	●	●	●	●	●	●	Tappo tubo serbatoio	Magazine tube cap	Bouchon du magasin
22bis	C54546	●	●	●	●	●	●	●	●	●	●	Molla tenuta tappo tubo serbatoio	Magazine tube cap spring	R ressort d'arrêt du bouchon du magasin
26	C50804	◆	◆	◆	◆	◆	◆	◆	◆	◆	◆	Calcio P.P., opaco	Mat P. G. stock	Crosse P., mate
	C51340	◆	◆	◆	◆	◆	◆	◆	◆	◆	◆	Calcio P.P., opaco	Mat P. G. stock	Crosse P., mate
	C88430	◆	◆	◆	◆	◆	◆	◆	◆	◆	◆	Calcio P.P., opaco, mod. Trap	Mat P. G. stock, mod. Trap	Crosse P., mate, mod. Trap
	C85228	◆	◆	◆	◆	◆	◆	◆	◆	◆	◆	Calcio P.P. Gom. Lucido (Youth Mod.)	Glossy P. G. stock with rubber recoil pad	Crosse P., brillante
	C84899	◆	◆	◆	◆	◆	◆	◆	◆	◆	◆	Calcio P.P. Gom. Lucido (Corto)	Glossy P. G. stock, (Short)	Glossy P. G. stock
27	C78550	●	●	●	●	●	●	●	●	●	●	Maglietta calcio	Stock swivel	Anneau de bretelle de la crosse
	C78948	●	●	●	●	●	●	●	●	●	●	Assieme supporto maglietta calcio	Stock swivel base assembly	Ensemble support anneau de bretelle de la crosse
28	C51108	●	●	●	●	●	●	●	●	●	●	Calotta (con stemma)	Cap (with escutcheon)	Calotte (avec écusson)
	C51649	●	●	●	●	●	●	●	●	●	●	Calotta calcio	Stock cap	Calotte de crosse
	C51671	●	●	●	●	●	●	●	●	●	●	Calotta calcio	Stock cap	Calotte de crosse
	C51698	●	●	●	●	●	●	●	●	●	●	Calotta calcio	Stock cap	Calotte de crosse
29	C95060	●	●	●	●	●	●	●	●	●	●	Vite calotta	Cap screw	Visifixation calotte
	C95062	●	●	●	●	●	●	●	●	●	●	Vite calotta	Cap screw	Visifixation calotte
30	C51222	●	●	●	●	●	●	●	●	●	●	Calciolo	Butt plate	Plaque de couche
	C51223	●	●	●	●	●	●	●	●	●	●	Calciolo	Butt plate	Plaque de couche
	C51229	●	●	●	●	●	●	●	●	●	●	Calciolo gomma	Recoil pad	Coussinet en caoutchouc
	C51267	●	●	●	●	●	●	●	●	●	●	Calciolo gomma, mod. Skeet	Recoil pad, mod. Skeet	Coussinet en caoutchouc, mod. Skeet
31	C95002	●	●	●	●	●	●	●	●	●	●	Vite calciolo (2 pezzi)	Butt plate screw (2 pieces)	Vis fixation plaque de couche (2 pièces)
32	C57110	●	●	●	●	●	●	●	●	●	●	Tubo tirante	Stock bolt tube	Tube-vis de la crosse
33	C90090	●	●	●	●	●	●	●	●	●	●	Molla ricupero	Recoil spring	R ressort récupérateur
34	C56976	●	●	●	●	●	●	●	●	●	●	Tappo fermo molla ricupero	Recoil spring cap	Bouchon d'arrêt du ressort récupérateur
35	C92096	●	●	●	●	●	●	●	●	●	●	Spina tenuta tappo	Recoil spring cap pin	Goupille du bouchon d'arrêt du ressort récupérateur
36	C55586	●	●	●	●	●	●	●	●	●	●	Piastrina per piega 45 mm.	Spacerfor drop 45 mm.	Entretoise pour pente 45 mm.
	C55587	●	●	●	●	●	●	●	●	●	●	Piastrina per piega 50 mm.	Spacerfor drop 50 mm.	Entretoise pour pente 50 mm.

N°	Cod.	Mod.										Descrizione	Description	Description
		A300				A301	A302	A303						
		1a		2a		cal./ga.	cal./ga.	cal./ga.						
		12	20	12	20	12	20	12	20	12	20			
	C55588			●	●	●	●	●	●	●	●	Piastrina per piega 55 mm.	Spacerfor drop 55 mm.	Entretoise pour pente 55 mm.
	C55589			●	●	●	●	●	●	●	●	Piastrina per piega 60 mm.	Spacerfor drop 60 mm.	Entretoise pour pente 60 mm.
	C55590			●	●	●	●	●	●	●	●	Piastrina per piega 65 mm.	Spacerfor drop 65 mm.	Entretoise pour pente 65 mm.
	C56154	●				●						Rosetta tirante, mod. Trap	Washer, mod. Trap	Rondelle du tube-vis, mod. Trap
37	C52021	●	●	●	●	●	●	●	●	●	●	Dado tubo tirante	Stock bolt nut	Ecrou du tube-vis de la crosse
38	C56028	●	●	●	●	●	●	●	●	●	●	Portamolla ricupero	Recoil spring guide	Guide-ressort récupérateur
41		non in vendita - not for sale - pas livrable										Culatta	Receiver	Boite de culasse
41A		non in vendita - not for sale - pas livrable										Culatta	Receiver	Boite de culasse
42	C57104	●		●		●		●		●		Tubo serbatoio leggero	Magazine tube, lightweight	Tube magasin léger
	C57103			●		●						Tubo serbatoio, mod. Magnum, Trap	Magazine tube, mod. Magnum, Trap	Tube magasin, mod. MagnumTrap
	C57108					●						Tubo serbatoio tacche un colpo	Magazine tube nipped to onesingle round capacity	Tube magasin pour un seul coup
	C57107		●		●		●		●		●	Tubo serbatoio leggero	Magazine tube, fightweight	Tube magasin léger
43A	C97004			●	●	●	●	●	●	●	●	Spina elastica fermo espulsore	Ejector spring pin	Goupille élastique d'éjecteur
44A	C52929			●	●	●	●					Guidamolla espulsore	Ejector spring guide	Guide-ressort d'éjecteur
	C52928			●	●	●	●	●	●	●	●	Guidamolla espulsore	Ejector spring guide	Guide-ressort d'éjecteur
45A	C90162			●	●	●	●					Molla espulsore	Ejector spring	Ressort d'éjecteur
	C90177			●	●	●	●	●	●	●	●	Molla espulsore, mod. Magnum	Ejector spring, mod. Magnum	Ressort d'éjecteur, mod. Magnum
46	C76627	●	●									Espulsore (assieme)	Ejector (assembly)	Ejecteur (ensemble)
46A	C52155	ESAURITO - DISCONTINUED										Espulsore	Ejector	Ejecteur
	C54499							●	●	●	●	Espulsore mod. Magnum	Ejector, mod. Magnum	Ejecteur, mod. Magnum
47	C54639	ESAURITO - DISCONTINUED										Otturatore	Breech bolt	Culasse
	C54635										●	Otturatore	Breech bolt	Culasse
	C88810	❖		❖		❖		❖			●	Otturatore Completo	Breech bolt (1)	Culasse (1)
	C54707										●	Otturatore	Breech bolt	Culasse
	C54712										●	Otturatore mod. Lusso	Breech bolt, mod. De Luxe	Culasse, mod. De Luxe
48	C54731	●		●		●		●		●		Percussore	Firing pin	Percuteur
	C54732		●		●		●		●		●	Percussore	Firing pin	Percuteur
48bis	C90148			●	●	●	●	●	●	●	●	Molla percussore	Firing pin spring	Ressort du percuteur
49	C97005	●		●		●						Gruppo spina elastica percussore	Firing pin spring pin assembly	Ensemble goupille élastique du percuteur
	C97024	●		●		●						Gruppo spina elastica percussore	Firing pin spring pin assembly	Ensemble goupille élastique du percuteur
	C97115		●		●		●					Gruppo spina elastica percussore	Firing pin spring pin assembly	Ensemble goupille élastique du percuteur
	C97116		●		●		●					Gruppo spina elastica percussore	Firing pin spring pin assembly	Ensemble goupille élastique du percuteur
49A	C56426					●		●		●		Spina fermo percussore	Firing pin retaining pin	Goupille d'arrêt du percuteur
	C56427						●		●		●	Spina fermo percussore	Firing pin retaining pin	Goupille d'arrêt du percuteur
50	C50658	ESAURITO - DISCONTINUED										Blocco chiusura	Locking block	Verrou
	C50659		●		●		●		●		●	Blocco chiusura	Locking block	Verrou
	C50694										●	Blocco chiusura	Locking block	Verrou
51	C52238			●		●		●		●		Estrattore	Extractor	Extracteur
	C52241				●		●		●		●	Estrattore	Extractor	Extracteur
	C52231	ESAURITO - DISCONTINUED										Estrattore (senza foro perno)	Extractor (without pin hole)	Extracteur (sans trou du tourillon)
	C52232	ESAURITO - DISCONTINUED										Estrattore (senza foro perno)	Extractor (without pin hole)	Extracteur (sans trou du tourillon)
52	C92155			●	●	●	●	●	●	●	●	Piolo estrattore	Extractor piunger	Poussoir de l'extracteur
	C92043	●	●									Piolo estrattore	Extractorplunger	Poussoir de l'extracteur
53	C90138			●	●	●	●	●	●	●	●	Molla estrattore	Extractor spring	Ressort de l'extracteur
	C90035	●	●									Molla estrattore	Extractor spring	Ressort de l'extracteur
53bis	C92154			●	●	●	●	●	●	●	●	Perno estrattore	Extractor pin	Tourillon de l'extracteur
54	C90085	●	●	●	●	●	●	●	●	●	●	Molla pulsante tiretto	Cocking handle plunger spring	Ressort du poussoir du doigt de déverrouillage
55	C56051			●	●	●	●	●	●	●	●	Pulsante tiretto	Cocking handle plunger	Poussoir du doigt de déverrouillage
	C60154	●	●									Pulsante tiretto	Cocking handle piunger	Poussoir du doigt de déverrouillage
55bis	C97037			●		●		●		●		Spina elastica fermo pulsante tiretto	Cocking handle plunger retaining spring pin	Goupille élastique d'arrêt du poussoir du doigt de déverrouillage
	C97060				●		●		●		●	Spina elastica fermo pulsante tiretto	Cocking handle plunger retaining spring pin	Goupille élastique d'arrêt du poussoir du doigt de déverrouillage
56	C57115	●		●		●		●				Tiretto	Cocking handle	Doigt de déverrouillage
	C57114		●		●		●		●			Tiretto	Cocking handle	Doigt de déverrouillage
	C57135										●	Tiretto	Cocking handle	Doigt de déverrouillage
	C57099										●	Tiretto	Cocking handle	Doigt de déverrouillage
57	C51489	ESAURITO - DISCONTINUED										Carrello	Slide	Glissière
	C51490		●		●		●		●		●	Carrello	Slide	Glissière
	C51506										●	Carrello	Slide	Glissière
58	C50581	●		●		●		●		●		Biella	Conneeting rod	Bielle
	C50582		●		●		●		●		●	Biella	Connecting rod	Bielle
59	C92095	●		●		●		●		●		Perno biella	Connecting rod pin	Tourillon de la bielle

N°	Cod.	Mod.										Descrizione	Description	Description			
		A300				A301	A302	A303									
		1a		2a													
		cal./ga.	cal./ga.	cal./ga.	cal./ga.	cal./ga.	cal./ga.	cal./ga.	cal./ga.	cal./ga.	cal./ga.				cal./ga.	cal./ga.	
12	20	12	20	12	20	12	20	12	20	12	20						
	C92140		●		●		●		●		●		●	Perno biella	Connecting rod pin	Tourillon de la bielle	
60	C56006	●	●	●	●	●	●	●	●	●	●	●	●	Portamolla cane	Hammer spring guide	Guide-ressort du chien	
61	C90030	●	●	●	●	●	●	●	●	●	●	●	●	Molla cane	Hammer spring	Ressort du chien	
62	C55824	●	●	●	●	●	●	●	●	●	●	●	●	Piolo portamolla cane	Hammer spring guide plunger	Poussoir guide-ressort du chien	
63	C97007	●	●	●	●	●	●	●	●	●	●	●	●	Spina elastica fissag. port.molla cane	Hammer spring guide spring pin	Goupille élastique du poussoir guide-ressort du chien	
64	C52890	ESAUURITO - DISCONTINUED										Guardamano	Trigger plate	Sous-garde			
	C60155	ESAUURITO - DISCONTINUED										Guardamano	Trigger plate	Sous-garde (avec poussoir d'arrêt de la sûreté)			
	C52892	ESAUURITO - DISCONTINUED										Guardamano	Trigger plate	Sous-garde			
	C60156	ESAUURITO - DISCONTINUED										Guardamano	Trigger plate	Sous-garde (avec poussoir d'arrêt de la sûreté)			
	C52681	ESAUURITO - DISCONTINUED										Guardamano, mod. SF	Trigger plate	Sous-garde, mod. SF			
	C52593											●		Guardamano	Trigger plate	Sous-garde	
	C53076												●	Guardamano	Trigger plate	Sous-garde	
	C53080												●	Guardamano con Cut-Off leva	Trigger plate with Cut-Off lever	Sous-garde avec levier Cut-Off	
	C53112												●	Guardamano per Cut-Off	Trigger plate for Cut-Off	Sous-garde pour Cut-Off	
64A	C52893	ESAUURITO - DISCONTINUED										Guardamano	Trigger plate	Sous-garde			
	C52894	ESAUURITO - DISCONTINUED										Guardamano	Trigger plate	Sous-garde			
65	C52725	●	●	●	●	●	●							Grilletto	Trigger	Détente	
	C52730	●	●	●	●	●	●	●	●	●	●	●	●	Grilletto dorato lucido	Giossy gold-plated trigger	Détente dorée brillante	
	C52678			●		●		●						Grilletto, mod. SF	Trigger, mod. SF	Détente, mod. SF	
66	C52026	●	●	●	●	●	●	●	●	●	●	●	●	Dente ritegno scatto	Sear	Gâchette	
67	C50757	●	●	●	●	●	●	●	●	●	●	●	●	Bussola grilletto	Trigger bush	Douille de la détente	
68	C90093	●	●	●	●	●	●	●	●	●	●	●	●	Molla grilletto	Trigger spring	Ressort de la détente	
69	C92099	●	●	●	●	●	●	●	●	●	●	●	●	Piolo portamolla grilletto	Trigger spring guide plunger	Poussoir guide-ressort de la déten te	
70	C90094	●	●	●	●	●	●	●	●	●	●	●	●	Molla dente ritegno scatto	Sear spring	Ressort de la gâchette	
70A	C92098	●	●	●	●	●	●	●	●	●	●	●	●	Piolo dente ritegno scatto	Sear plunger	Poussoir de la gâchette	
71	C71008	●		●		●								Cane	Hammer	Chien	
	C71006		●		●		●							Cane	Hammer	Chien	
71A	C71020						●		●					Cane	Hammer	Chien	
	C71017							●		●				Cane	Hammer	Chien	
72	C50737	●	●	●	●	●	●	●	●	●	●	●	●	Bretella destra	Right brace	Bretelle droite	
73	C50738	●	●	●	●	●	●	●	●	●	●	●	●	Bretella sinistra	Left brace	Bretelle gauche	
74	C92094	●	●	●	●	●	●	●	●	●	●	●	●	Perno grilletto	Trigger pin	Tourillon de la détente	
75	C50747	●		●		●					●			Bussola cane	Hammer bush	Douille du chien	
	C50746		●		●		●					●		Bussola cane	Hammer bush	Douille du chien	
	C50749							●		●				Bussola cane	Hammer bush	Douille du chien	
	C50740								●		●			Bussola cane	Hammer bush	Douille du chien	
76	C50072	●	●	●	●	●	●				●	●		Anello elastico tenuta spina guardam.	Trigger plate pin snap ring	Bague de retenue de la goupille dusous-garde	
77	C60157	●	●	●	●									Pistoncino arresto sicura	Safety locking plunger	Poussoir d'arrêt de la sûreté	
78	C90091	●	●	●	●									Molla pistoncino bloccaggiosicura	Safety locking plunger spring	Ressort du poussoir d'arrêt dela sûreté	
79	C97044	●	●	●	●									Spina elastica tenuta pistoncino	Safety locking plunger retaining spring pin	Goupille élastique de retenue du poussoir d'arrêt de la sûreté	
80	C56296	●	●	●	●	●	●	●						Sicura	Safety	Sûreté	
	C56305							●	●					Sicura per mancini	Safetyfor left-handed shooters	Sûreté pour gauchers	
	C56312	●	●	●	●	●	●	●						Sicura dorata lucida	Glossy gold-plated safety	Sûreté dorée brillante	
	C56270										●	●		Sicura dorata	Gold-plated safety	Sûreté dorée	
81	C92044	●	●	●	●	●	●	●	●	●	●	●	●	Piolo molla sicura	Safety spring plunger	Poussoir du ressort de la sûreté	
82	C90042	●	●	●	●	●	●	●	●	●	●	●	●	Molla sicura	Safety spring	Ressort de la sûreté	
83	C52084	ESAUURITO - DISCONTINUED										Elevatore	Carrier	Elevateur			
	C52088		●		●		●							Elevatore	Carrier	Elevateur	
	C52086	ESAUURITO - DISCONTINUED										Elevatore	Carrier	Elevateur			
	C52087									●		●		Elevatore (Cut-Off su culatta)	Carrier (Cut-Off on receiver)	Elevateur (Cut-Off sur la bolte)	
	C52082											●		Elevatore	Carrier	Elevateur	
	C52083												●	Elevatore	Carrier	Elevateur	
84	C92093	●		●		●		●		●		●		Perno fissaggio elevatore	Carrier pin	Tourillon de l'élevateur	
	C55112		●		●		●		●		●		●	Perno fissaggio elevatore	Carrier pin	Tourillon de l'élevateur	
85	C52973	●	●	●	●	●	●	●	●	●	●	●	●	Leva elevatore	Carrier lever	Levier de commande de l'élevateur	
86	C92091	●	●	●	●	●	●	●	●	●	●	●	●	Piolo portamolla leva elevatore	Carrier lever spring guide plunger	Poussoir guide-ressort du levierde commande de l'élevateur	
87	C90083	●	●	●	●	●	●	●	●	●	●	●	●	Molla leva elevatore	Carrier lever spring	Ressort du levier de commande de l'élevateur	
88	C55221	●	●	●	●	●	●	●	●	●	●	●	●	Perno leva elevatore	Carrier lever pin	Tourillon du levier de commande de l'élevateur	
89	C56158	●	●	●	●	●	●	●	●	●	●	●	●	Rullo elevatore	Carrier swivel joint	Rouleau de l'élevateur	
90	C56023	●	●	●	●	●	●	●	●	●	●	●	●	Portamolla elevatore	Carrier spring guide	Guide-ressort de l'élevateur	

N°	Cod.	Mod.										Descrizione	Description	Description
		A300				A301	A302	A303						
		1a		2a		cal./ga.	cal./ga.	cal./ga.						
		12	20	12	20	12	20	12	20	12	20			
91	C90092	●	●	●	●	●	●	●	●	●	●	Molla elevatore	Carrier spring	Ressort de l'élevateur
92	C56159	●	●	●	●	●	●	●	●	●	●	Rullo portamolla	Spring guide swivel joint	Rouleau guide-ressort
93	C56533	●		●		●					●	Spina fissaggio guardamano	Trigger plate retaining pin	Goupille de fixation du sous-garde
	C56534		●		●		●				●	Spina fissaggio guardamano	Trigger plate retaining pin	Goupille de fixation du sous-garde
	C56536	●		●		●						Spina fissaggio guardamano, cromata	Trigger plate retaining pin, chromium plated	Goupille de fixation du sous-garde, chromée
	C56537		●		●		●					Spina fissaggio guardamano, cromata	Trigger plate retaining pin, chromium plated	Goupille de fixation du sous-garde, chromée
94	C52974	ESAURITO - DISCONTINUED										Leva ritegno cartuccia	Cartridge latch	Levier de retenue de cartouche
95	C54534	●	●	●	●	●	●					Molla leva ritegno cartuccia	Cartridge latch spring	Ressort du levier de retenue de cartouche
96	C97023	●	●	●	●	●	●					Spina elastica molla leva ritegno cartuccia	Cartridge latch spring spring pin	Goupille élastique du ressort du levier de retenue de cartouche
97A	C92168					●	●	●	●	●	●	Perno leve cartuccia	Cartridge levers pin	Tourillon des leviers de cartouche
98A	C97004			●	●	●	●	●	●	●	●	Spina elastica fermo perno leva ritegno cart.	Cartridge latch pin locking spring pin	Goupille élastique d'arrêt du tourillon du levier de retenue de cartouche
99	C52972	●	●	●	●							Leva comando cartuccia	Cartridge latch	Levier de commande de cartouche
	C60158			●	●							Leva comando cartuccia (assieme)	Cartridge latch (assembly)	Levier de coniazione de cartouche (ensemble)
99A	C51870	ESAURITO - DISCONTINUED										Corpo leva comando cartuccia	Cartridge latch body	Corps du levier de commande de cartouche
99B	C76188							●	●	●	●	Corpo leva comando cartuccia	Cartridge latch body	Corps du levier de commande de cartouche
100	C50710	ESAURITO - DISCONTINUED										Bottone leva comando cartuccia	Cartridge latch button	Bouton du levier de commande de cartouche
	C50717	ESAURITO - DISCONTINUED										Bottone leva comando cartuccia	Cartridge latch button, mod. De Luxe	Bouton du levier de commande de cartouche, mod. De Luxe
	C50718	ESAURITO - DISCONTINUED										Bottone leva comando cartuccia	Cartridge latch button, mod. Super De Luxe	Bouton du levier de commande de cartouche, mod. Super De Luxe
	C50716	ESAURITO - DISCONTINUED										Bottone leva comando cartuccia	Cartridge latch button	Bouton du levier de commande de cartouche
100A	C53046	ESAURITO - DISCONTINUED										Leva elastica comando cartuccia	Cartridge latch spring lever	Levier élastique de commande de cartouche
101	C90038	●	●									Molla leva comando cartuccia	Cartridge latch spring	Ressort du levier de commande de cartouche
101A	C54108			●	●	●	●					Molla leva comando cartuccia	Cartridge latch spring	Ressort du levier de commande de cartouche
102	C55222	●	●	●	●							Perno leva comando cartuccia	Cartridge latch pin	Tourillon du levier de commande de cartouche
102A	C92168					●	●	●	●	●	●	Perno leve cartuccia	Cartridge levers pin	Tourillon des leviers de cartouche
103	C54536	●	●	●	●							Molla tenuta perno leva com.cartuccia	Cartridge latch pin retaining spring	Ressort de retenue du tourillon du levier de commande de cartouche
103A	C97004			●	●	●	●	●	●	●	●	Spina elast. fermo perno leva cartuc.	Cartridge lever pin retaining spring pin	Goupille élastique d'arrêt du tourillon du levier de cartouche
104	C52954	●	●	●	●	●	●					Inserto culatta	Receiver insert	Pièce insérée dans la boîte de culasse
105	C90231							●	●	●	●	Molla leva comando cartuccia	Cartridge latch spring	Ressort du levier de commande de cartouche
106	C53034							●	●	●	●	Leva comando cartuccia	Cartridge latch	Levier de commande de cartouche
	C53038							●	●	●	●	Leva comando cartuccia Super Lusso	Cartridge latch, mod. SuperDe Luxe	Levier de commande de cartouche, mod. Super De Luxe
	C53037									●	●	Leva comando cartuccia dorata	Cartridge latch, gold plated	Levier de commande de cartouche dorée
107	C92212							●	●	●	●	Perno leva comando cartuccia	Cartridge latch	Tourillon du levier de commande de cartouche
108	C90232							●	●	●	●	Molla corpo leva comandocartuccia	Cartridge latch body spring	Ressort du corps du levier de commande de cartouche
109	C90235							●	●	●	●	Molla piolo arresto elevatore	Carrier catch plunger spring	Ressort du poussoir d'arrêt de l'élevateur
110	C55631							●	●	●	●	Piolo arresto elevatore	Carrier catch plunger	Poussoir d'arrêt de l'élevateur
111	C92214							●	●	●	●	Spina piolo arresto elevatore	Carrier catch plunger pin	Goupille du poussoir d'arrêt de l'élevateur
112	C97004					●	●	●	●	●	●	Spina elastica piolo leva fissaggio guardamano	Trigger plate retaining lever	Goupille élastique
113	C78510	ESAURITO - DISCONTINUED										Leva fissaggio guardamano	Trigger plate retaining lever (cut-off lever)	Levier de fixation du sous-garde
	C78536							●				Leva fissaggio guardamano (brunita)	Trigger plate retaining lever (Cut-Off lever)	Levier de fixation du sous-garde
	C78537								●			Leva fissaggio guardamano (brunita)	Trigger plate retaining lever (Cut-Off lever)	Levier de fixation du sous-garde
	C99603							●				Leva fissaggio guardamano dorata	Trigger plate retaining lever (Cut-Off lever)	Levier de fixation du sous-garde
114	C90234							●	●	●	●	Molla piolo leva fissaggio guardamano	Trigger plate retaining lever plunger spring	Ressort du poussoir du levier de fixation du sous-garde

N°	Cod.	Mod.												Descrizione	Description	Description
		A300				A301		A302		A303						
		1a		2a		cal./ga.		cal./ga.		cal./ga.						
		12	20	12	20	12	20	12	20	12	20					
115	C55745							●	●	●	●	Piolo leva fissaggio guardamano	Trigger plate retaining lever plunger	Poussoir du levier de fixation de sous-garde		
116	C56092	●		●		●		●		●		Riduttore serbatoio	Magazine tube capacity reducer	Réducteur du tube magasin		
	C56093		●		●		●		●		●	Riduttore serbatoio	Magazine tube capacity reducer	Réducteur du tube magasin		
117	C90080	●	●	●	●	●	●	●	●	●	●	Molla tacca mira	Folding leaf rear sight spring	Ressort des feuillets de l'hausse		
118	C89207	●	●	●	●	●	●	●	●	●	●	Zoccolo alzo (assieme)	Folding leaf rear sight (assembly)	Hausse à feuillets (ensemble)		
119	C55511	●	●	●	●	●	●	●	●	●	●	Mirino per canna slug 8mm	Slug barrel front sight	Guidon pour canon slug		
	C55713	●	●	●	●	●	●	●	●	●	●	Mirino per canna slug 9mm	Slug barrel front sight	Guidon pour canon slug		
	C55512	●	●	●	●	●	●	●	●	●	●	Mirino per canna slug 10mm	Slug barrel front sight	Guidon pour canon slug		
120	C53677	●	●	●	●	●	●	●	●	●	●	Mirino collimatore	Intermediate sight	Guidon intermédiaire		
121		Vedi Parti Speciali - See Special Parts										Strozzatore	Mobilchoke	Mobilchoke		
122	C52663	●		●		●		●		●		Ghiera fissaggio strozzatore	Mobilchoke tightening ring	Bague de serrage du mobilchoke		
	C52668		●		●		●		●		●	Ghiera fissaggio strozzatore	Mobilchoke tightening ring	Bague de serrage du mobilchoke		
123	C61509	ESAUIRITO - DISCONTINUED										Chiave ghiera strozzatore	Mobilchoke ring spanner	Clé de la bague de serrage du mobilchoke		
	C61508		●		●		●		●		●	Chiave ghiera strozzatore	Mobilchoke ring spanner	Clé de la bague de serrage du mobilchoke		
	C61511										●	Chiave per strozzatore	Mobilchoke spanner	Clé pour mobilchoke		
	C61514										●	Chiave per strozzatore	Mobilchoke spanner	Clé pour mobilchoke		
124	C90279									●	●	Molla gancio fermo Cut-Off	Cut-Off locking plunger spring	Ressort du poussoir d'arrêt du crochet Cut-Off		
125	C55043									●	●	Piolo gancio fermo Cut-Off	Cut-Off locking plunger	Poussoir d'arrêt du crochet Cut-Off		
126	C90256									●	●	Molla gancio asta armamento	Operating rod catch spring	Ressort du crochet de la tige d'armement		
127	C95030									●	●	Vite supporto gancio asta armamento	Operating rod catch base screw	Vis du support du crochet de la tige d'armement		
128	C56584									●	●	Supporto gancio asta armamento	Operating rod catch base	Support du crochet de la tige d'armement		
129	C92226									●	●	Perno gancio asta armamento	Operating rod catch pin	Axe du crochet de la tige d'armement		
130	C56583									●	●	Gancio asta armamento	Operating rod catch (Cut-Off lever)	Crochet de la tige d'armement		
131	C56167									●	●	Rosetta	Washer	Rondelle		
132	C56101	●	●	●	●	●	●	●	●	●	●	Rivetto astina	Metal Eyelet	Rivet		
133	C71002	●	●	●	●	●	●	●	●	●	●	Calotta anteriore asta	Front fore-end cover	Calotte Bois Devant		