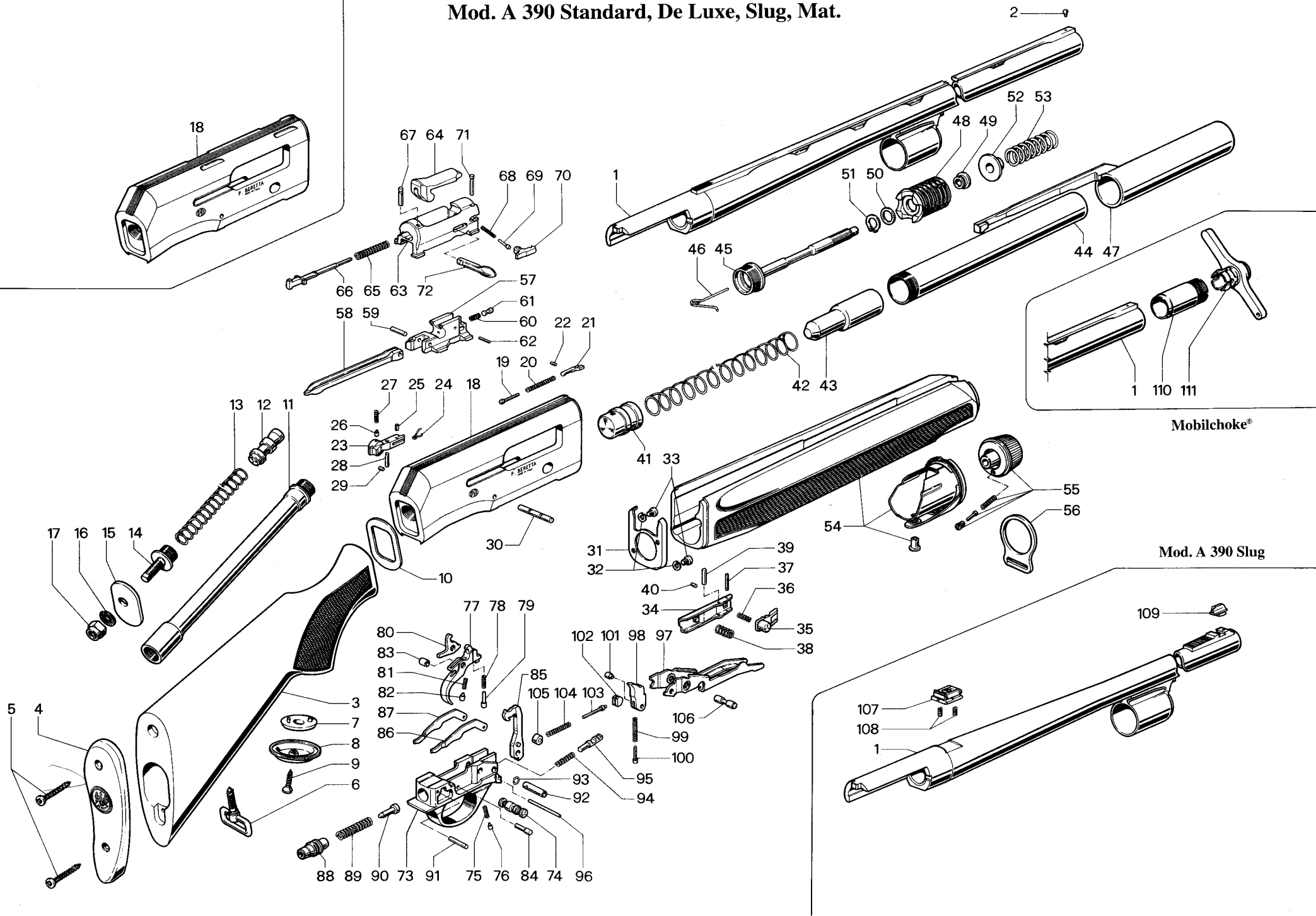


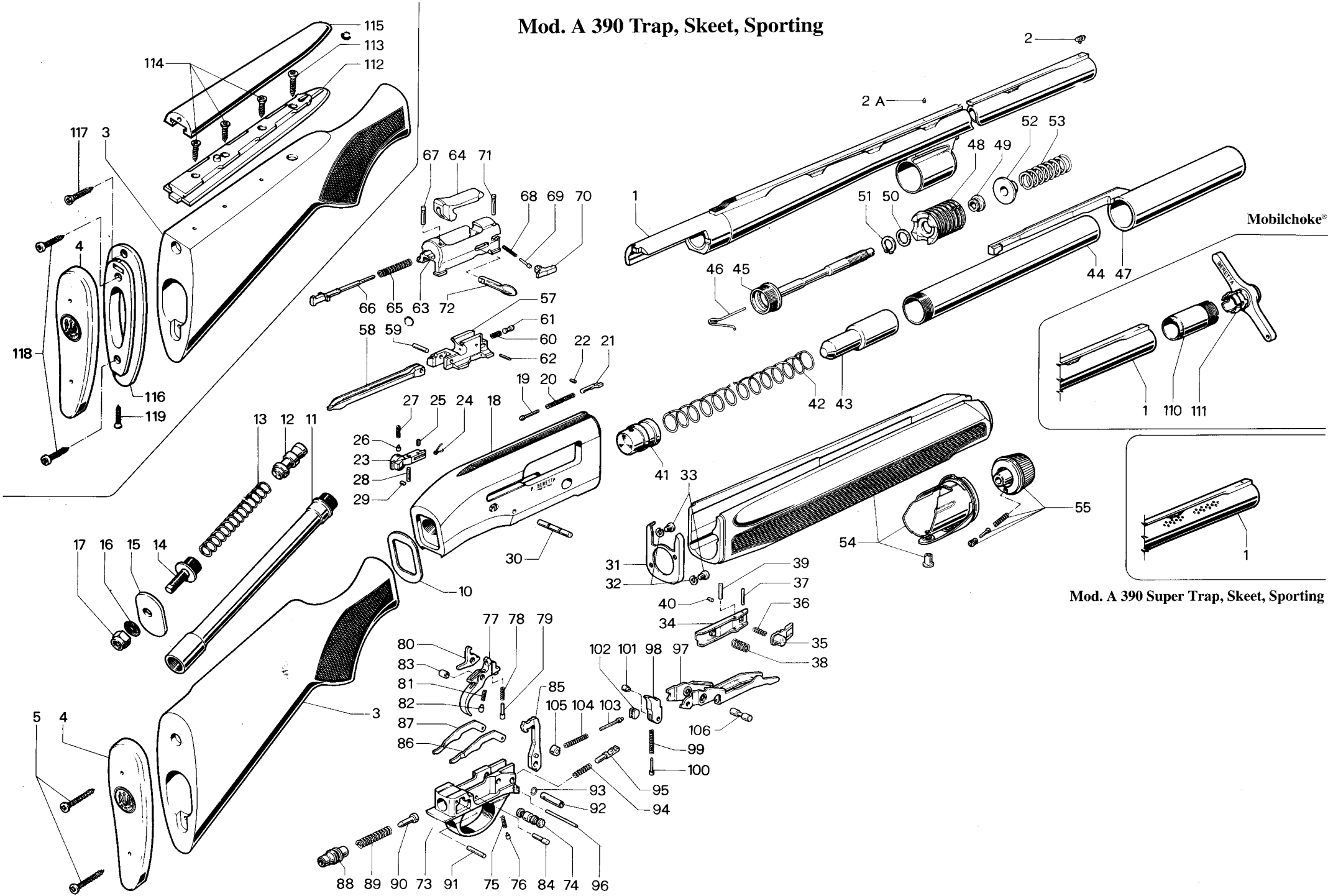
Mod. A 390 Standard, De Luxe, Slug, Mat.



Mobilchoke®

Mod. A 390 Slug

Mod. A 390 Trap, Skeet, Sporting



Mobilchoke®

Mod. A 390 Super Trap, Skeet, Sporting

N°	Cod.	Mod. A 390										Denominazione	Description	Dénomination
		Stand.	De Luxe	Slug	Mat	Trap	Super Trap	Skeet	Super Skeet	Sporting	Super Sporting			
1*												Canna	<i>Barrel</i>	<i>Canon</i>
2	53659	●	●		●							Mirino	<i>Front sight</i>	<i>Guidon</i>
	53787					●	●	●	●	●	●	Mirino fluorescente rosso	<i>Fluorescent front sight</i>	<i>Guidon fluorescent</i>
	53520					●	●	●	●	●	●	Mirino tipo Bradley bianco	<i>Bradley white front sight</i>	<i>Guidon Bradley blanc</i>
2A	54550					●	●	●	●	●	●	Mirino collimatore	<i>Mid bead</i>	<i>Guidon intermédiaire</i>
3	54141	●		●	●							Calcio pistola opaco	<i>Pistol grip stock, mat</i>	<i>Crosse pistolet, mate</i>
	54140	●		●	●							Calcio pistola lucido	<i>Pistol grip stock, glossy</i>	<i>Crosse pistolet, brillante</i>
	54242	●		●	●							Calcio inglese opaco	<i>English type stock, mat</i>	<i>Crosse anglaise, mate</i>
	54243	●		●	●							Calcio inglese lucido	<i>English type stock, glossy</i>	<i>Crosse anglaise, brillante</i>
	54143		●									Calcio pistola De Luxe opaco	<i>Pistol grip stock, De Luxe mat</i>	<i>Crosse pistolet, De Luxe mate</i>
	54142		●									Calcio pistola De Luxe lucido	<i>Pistol grip stock, De Luxe glossy</i>	<i>Crosse pistolet, De Luxe brillante</i>
	54248		●									Calcio inglese De Luxe opaco	<i>English type stock, De Luxe mat</i>	<i>Crosse anglaise, De Luxe mate</i>
	54249		●									Calcio inglese De Luxe lucido	<i>English type stock, De Luxe glossy</i>	<i>Crosse anglaise, De Luxe brillante</i>
	54145					●						Calcio Trap opaco	<i>Trap stock, mat</i>	<i>Crosse Trap, mate</i>
	54144					●						Calcio Trap lucido	<i>Trap stock, glossy</i>	<i>Crosse Trap, brillante</i>
	54147							●		●		Calcio Skeet/Sporting opaco	<i>Skeet/Sporting stock, mat</i>	<i>Crosse Skeet/Sporting, mate</i>
	54146							●		●		Calcio Skeet/Sporting lucido	<i>Skeet/Sporting stock, glossy</i>	<i>Crosse Skeet/Sporting, brillante</i>
	54127							●				Calcio Super Trap opaco	<i>Super Trap stock, mat</i>	<i>Crosse Super Trap, mate</i>
	54126							●				Calcio Super Trap lucido	<i>Super Trap stock, glossy</i>	<i>Crosse Super Trap, brillante</i>
	54132								●		●	Calcio Super Skeet/Sporting opaco	<i>Super Skeet/Sporting stock, mat</i>	<i>Crosse Super Skeet/Sporting, mate</i>
	54131								●		●	Calcio Super Skeet/Sporting lucido	<i>Super Skeet/Sporting stock, glossy</i>	<i>Crosse Super Skeet/Sporting, brillante</i>
4	53608	●	●	●	●							Calciolo plastica	<i>Plastic butt plate</i>	<i>Plaque de couche, plastique</i>
	53661	●	●	●	●							Calciolo gomma basso	<i>Rubber recoil pad, thin</i>	<i>Coussinet caoutchouc, bas</i>
	53721	●	●	●	●							Calciolo gomma medio	<i>Rubber recoil pad, medium</i>	<i>Coussinet caoutchouc, moyen</i>
	55129	●	●	●	●							Calciolo gomma alto	<i>Rubber recoil pad, thick</i>	<i>Coussinet caoutchouc, haut</i>
	55646					●						Calciolo Trap gomma extrabasso	<i>Trap rubber recoil pad, ultrathin</i>	<i>Coussinet Trap caoutchouc, très bas</i>
	55643					●						Calciolo Trap gomma basso	<i>Trap rubber recoil pad, thin</i>	<i>Coussinet Trap caoutchouc, bas</i>
	55644					●						Calciolo Trap gomma medio	<i>Trap rubber recoil pad, medium</i>	<i>Coussinet Trap caoutchouc, moyen</i>
	55645					●						Calciolo Trap gomma alto	<i>Trap rubber recoil pad, thick</i>	<i>Coussinet Trap caoutchouc, haut</i>
	55650							●		●		Calciolo Skeet/Sporting gomma extrabasso	<i>Skeet/Sporting rubber recoil pad, ultrathin</i>	<i>Coussinet Skeet/Sporting caoutchouc, très bas</i>
	55647							●		●		Calciolo Skeet/Sporting gomma basso	<i>Skeet/Sporting rubber recoil pad, thin</i>	<i>Coussinet Skeet/Sporting caoutchouc, bas</i>
	55648							●		●		Calciolo Skeet/Sporting gomma medio	<i>Skeet/Sporting rubber recoil pad, medium</i>	<i>Coussinet Skeet/Sporting caoutchouc, moyen</i>
	55649							●		●		Calciolo Skeet/Sporting gomma alto	<i>Skeet/Sporting rubber recoil pad, thick</i>	<i>Coussinet Skeet/Sporting caoutchouc, haut</i>
	71241							●		●		Calciolo Skeet/Sporting pelle extrabasso	<i>Skeet/Sporting leather recoil pad, ultrathin</i>	<i>Coussinet Skeet/Sporting cuir, très bas</i>
	71238							●		●		Calciolo Skeet/Sporting pelle basso	<i>Skeet/Sporting leather recoil pad, thin</i>	<i>Coussinet Skeet/Sporting cuir, bas</i>
71239							●		●		Calciolo Skeet/Sporting pelle medio	<i>Skeet/Sporting leather recoil pad, medium</i>	<i>Coussinet Skeet/Sporting cuir, moyen</i>	
71240							●		●		Calciolo Skeet/Sporting pelle alto	<i>Skeet/Sporting leather recoil pad, thick</i>	<i>Coussinet Skeet/Sporting cuir, haut</i>	

N°	Cod.	Mod. A 390										Denominazione	Description	Dénomination
		Stand.	De Luxe	Slug	Mat	Trap	Super Trap	Skeet	Super Skeet	Sporting	Super Sporting			
4	53857						●					Calciolo Super Trap regolabile gomma basso	<i>Super Trap interchangeable rubber recoil pad, thin</i>	<i>Coussinet Super Trap caoutchouc interchangeable, bas</i>
	53858						●					Calciolo Super Trap regolabile gomma medio	<i>Super Trap interchangeable rubber recoil pad, medium</i>	<i>Coussinet Super Trap caoutchouc interchangeable, moyen</i>
	53859						●					Calciolo Super Trap regolabile gomma alto	<i>Super Trap interchangeable rubber recoil pad, thick</i>	<i>Coussinet Super Trap caoutchouc interchangeable, haut</i>
	55126							●		●		Calciolo Super Skeet/Sporting regolabile gomma basso	<i>Super Skeet/Sporting interchangeable rubber recoil pad, thin</i>	<i>Coussinet Super Skeet/Sporting caoutchouc interchangeable, bas</i>
	55127							●		●		Calciolo Super Skeet/Sporting regolabile gomma medio	<i>Super Skeet/Sporting interchangeable rubber recoil pad, medium</i>	<i>Coussinet Super Skeet/Sporting caoutchouc interchangeable, moyen</i>
	55128							●		●		Calciolo Super Skeet/Sporting regolabile gomma alto	<i>Super Skeet/Sporting interchangeable rubber recoil pad, thick</i>	<i>Coussinet Super Skeet/Sporting caoutchouc interchangeable, haut</i>
	71231							●		●		Calciolo Super Skeet/Sporting regolabile pelle basso	<i>Super Skeet/Sporting interchangeable leather recoil pad, thin</i>	<i>Coussinet Super Skeet/Sporting cuir interchangeable, bas</i>
	71232							●		●		Calciolo Super Skeet/Sporting regolabile pelle medio	<i>Super Skeet/Sporting interchangeable leather recoil pad, medium</i>	<i>Coussinet Super Skeet/Sporting cuir interchangeable, moyen</i>
	71233							●		●		Calciolo Super Skeet/Sporting regolabile pelle alto	<i>Super Skeet/Sporting interchangeable leather recoil pad, thick</i>	<i>Coussinet Super Skeet/Sporting cuir interchangeable, haut</i>
5	95192	●	●	●	●	●		●		●		Vite calciolo	<i>Butt plate screw</i>	<i>Vis fixation plaque de couche</i>
6	78948	●	●	●	●							Assieme supporto maglietta calcio	<i>Stock swivel base assembly</i>	<i>Ensemble support anneau de bretelle de la crosse</i>
7	53669	●	●	●	●							Guida calotta calcio	<i>Stock cap guide</i>	<i>Guide calotte de crosse</i>
8	51649	●	●	●	●							Calotta calcio opaca	<i>Stock cap, mat</i>	<i>Calotte de crosse, mate</i>
9	95062	●	●	●	●							Vite calotta calcio	<i>Stock cap screw</i>	<i>Vis fixation calotte de crosse</i>
10	55407	●	●	●	●		●		●			Piastrina anteriore piega 50/65 mm	<i>Front spacer, drop 50/65 mm</i>	<i>Intercalaire crosse pour pente 50/65 mm</i>
	55408	●	●	●	●		●		●			Piastrina anteriore piega 55/60 mm	<i>Front spacer, drop 55/60 mm</i>	<i>Intercalaire crosse pour pente 55/60 mm</i>
	55410					●						Piastrina anteriore piega 40/45 mm	<i>Front spacer, drop 40/45 mm</i>	<i>Intercalaire crosse pour pente 40/45 mm</i>
	55418					●						Piastrina anteriore piega 42,5 mm	<i>Front spacer, drop 42,5 mm</i>	<i>Intercalaire crosse pour pente 42,5 mm</i>
	55414							●		●		Piastrina anteriore piega Super Skeet/Sporting	<i>Front spacer for Super Skeet/Sporting stock</i>	<i>Intercalaire pour crosse Super Skeet/Sporting</i>
	55415						●					Piastrina anteriore piega Super Trap	<i>Front spacer for Super Trap stock</i>	<i>Intercalaire pour crosse Super Trap</i>
11	57245	●	●	●	●	●	●	●	●	●		Tubo tirante	<i>Stock bolt tube</i>	<i>Tube-vis de la crosse</i>
12	56028	●	●	●	●	●	●	●	●	●		Portamolla ricupero	<i>Recoil spring guide</i>	<i>Guide du ressort récupérateur</i>
13	53791	●	●	●	●	●	●	●	●	●		Molla ricupero	<i>Recoil spring</i>	<i>Ressort récupérateur</i>
14	56826	●	●	●	●	●	●	●	●	●		Tappo fermo molla ricupero	<i>Recoil spring cap</i>	<i>Bouchon d'arrêt du ressort récupérateur</i>
15	55403	●	●	●	●		●		●			Piastrina posteriore piega 50/65 mm	<i>Plate, drop 50/65 mm</i>	<i>Plaque de crosse pour pente 50/65 mm</i>
	55404	●	●	●	●		●		●			Piastrina posteriore piega 55/60 mm	<i>Plate, drop 55/60 mm</i>	<i>Plaque de crosse pour pente 55/60 mm</i>
	55413					●						Piastrina posteriore piega 40/45 mm	<i>Plate, drop 40/45 mm</i>	<i>Plaque de crosse pour pente 40/45 mm</i>
	55419					●						Piastrina posteriore piega 42,5 mm	<i>Plate, drop 42,5 mm</i>	<i>Plaque de crosse pour pente 42,5 mm</i>
	55416							●		●		Piastrina posteriore piega Super Skeet/Sporting	<i>Plate for Super Skeet/Sporting stock</i>	<i>Plaque pour crosse Super Skeet/Sporting</i>

N°	Cod.	Mod. A 390											Denominazione	Description	Dénomination
		Stand.	De Luxe	Slug	Mat	Trap	Super Trap	Skeet	Super Skeet	Sporting	Super Sporting				
15	55417						●					Piastrina posteriore piega Super Trap	Plate for Super Trap stock	Plaque pour crosse Super Trap	
16	97200	●	●	●	●	●	●	●	●	●	●	Rondella elastica dado fissaggio calcio	Stock retaining nut washer	Rondelle élastique	
17	97174	●	●	●	●	●	●	●	●	●	●	Dado fissaggio calcio	Stock retaining nut	Ecrou de fixation de la crosse	
18**												Culatta	Receiver	Boîtier de culasse	
19	52928	●	●	●	●	●	●	●	●	●	●	Guidamolla espulsore	Ejector spring guide	Guide-ressort d'éjecteur	
20	90177	●	●	●	●	●	●	●	●	●	●	Molla espulsore	Ejector spring	Ressort d'éjecteur	
21	54499	●	●	●	●	●	●	●	●	●	●	Espulsore	Ejector	Éjecteur	
22	97004	●	●	●	●	●	●	●	●	●	●	Spina elastica fermo espulsore	Ejector spring pin	Goupille élastique d'éjecteur	
23	53672	●	●	●	●	●	●	●	●	●	●	Cut-off	Cut-off	Cut-off	
24	53790	●	●	●	●	●	●	●	●	●	●	Molla cut-off	Cut-off spring	Ressort du cut-off	
25	97038	●	●	●	●	●	●	●	●	●	●	Spina elastica cut-off	Cut-off spring pin	Goupille élastique du cut-off	
26	92044	●	●	●	●	●	●	●	●	●	●	Piolo cut-off	Cut-off plunger	Poussoir du cut-off	
27	90500	●	●	●	●	●	●	●	●	●	●	Molla piolo cut-off	Cut-off plunger spring	Ressort de poussoir du cut-off	
28	92168	●	●	●	●	●	●	●	●	●	●	Perno cut-off	Cut-off pin	Axe du cut-off	
29	97004	●	●	●	●	●	●	●	●	●	●	Spina elastica fermo perno cut-off	Cut-off pin spring pin	Goupille élastique d'arrêt de l'axe du cut-off	
30	56533	●	●	●	●	●	●	●	●	●	●	Spina fissaggio guardamano	Trigger plate retaining pin	Goupille de fixation du sous-garde	
31	53671	●	●	●	●	●	●	●	●	●	●	Guaina astina	Fore-end cover	Gaine du devant bois	
32	97027	●	●	●	●	●	●	●	●	●	●	Rosetta elastica	Spring washer	Rondelle élastique	
33	97025	●	●	●	●	●	●	●	●	●	●	Vite guaina	Fore-end cover screw	Vis de la gaine du devant bois	
34	76195	●	●	●	●	●	●	●	●	●	●	Corpo leva comando cartuccia	Cartridge latch body	Corps du levier de commande de cartouche	
35	53034	●		●		●	●	●	●	●	●	Leva comando cartuccia. Cromata lucida	Cartridge latch. Chromium-plated, glossy finish	Levier de commande de cartouche. Chromé brillante	
	53788		●									Leva comando cartuccia. Dorata opaca	Cartridge latch. Gold-plated, mat finish	Levier de commande de cartouche. Doré mate	
	54237				●							Leva comando cartuccia. Cromata opaca	Cartridge latch. Chromium-plated, mat finish	Levier de commande de cartouche. Chromé mate	
36	90231	●	●	●	●	●	●	●	●	●	●	Molla leva comando cartuccia	Cartridge latch spring	Ressort du levier de commande de cartouche	
37	92212	●	●	●	●	●	●	●	●	●	●	Perno leva comando cartuccia	Cartridge latch pin	Tourillon du levier de commande de cartouche	
38	90350	●	●	●	●	●	●	●	●	●	●	Molla corpo leva comando cartuccia	Cartridge latch body spring	Ressort du corps du levier de commande de cartouche	
39	92168	●	●	●	●	●	●	●	●	●	●	Perno corpo leva comando cartuccia	Cartridge latch body pin	Axe du corps du levier de commande de cartouche	
40	97004	●	●	●	●	●	●	●	●	●	●	Spina elastica fermo perno corpo leva comando cartuccia	Cartridge latch body pin stop spring pin	Goupille élastique d'arrêt de l'axe du corps du levier de commande de cartouche	
41	50589	●	●	●	●	●	●	●	●	●	●	Bicchiere serbatoio	Magazine follower	Poussoir du magasin	
42	90089	●	●	●	●	●	●	●	●	●	●	Molla serbatoio	Magazine spring	Ressort du magasin	
43	56092	●	●	●	●	●	●	●	●	●	●	Riduttore serbatoio	Magazine tube capacity reducer	Réducteur du tube magasin	
44	57103	●	●	●	●	●	●	●	●	●	●	Tubo serbatoio 3 colpi	Magazine tube, 3 rounds	Tube magasin 3 coups	
	57151	●	●	●	●	●	●	●	●	●	●	Tubo serbatoio 2 colpi	Magazine tube, 2 rounds	Tube magasin 2 coups	
	57152	●	●	●	●	●	●	●	●	●	●	Tubo serbatoio 1 colpo	Magazine tube, 1 round	Tube magasin 1 coup	
45	56887	●	●	●	●	●	●	●	●	●	●	Tappo tubo serbatoio	Magazine tube cap	Bouchon du tube magasin	
46	54546	●	●	●	●	●	●	●	●	●	●	Molla tenuta tappo tubo serbatoio	Magazine tube cap spring	Ressort d'arrêt du bouchon du tube magasin	
47	70050	●	●	●	●	●	●	●	●	●	●	Asta armamento	Operating rod	Tige d'armement	

N°	Cod.	Mod. A 390											Denominazione	Description	Dénomination
		Stand.	De Luxe	Slug	Mat	Trap	Super Trap	Skeet	Super Skeet	Sporting	Super Sporting				
48	55909	●	●	●	●	●	●	●	●	●	●	●	Pistone	<i>Piston</i>	<i>Piston</i>
49	53665	●	●	●	●	●	●	●	●	●	●	●	Bussola tenuta pistone	<i>Piston bush</i>	<i>Douille du piston</i>
50	53564	●	●	●	●	●	●	●	●	●	●	●	Anello bussola pistone	<i>Piston bush ring</i>	<i>Bague de la douille du piston</i>
51	97019	●	●	●	●	●	●	●	●	●	●	●	Anello elastico bussola pistone	<i>Piston bush snap ring</i>	<i>Bague élastique de la douille du piston</i>
52	57450	●	●	●	●	●	●	●	●	●	●	●	Valvola	<i>Valve</i>	<i>Valve</i>
53	54410	●	●	●	●	●	●	●	●	●	●	●	Molla valvola	<i>Valve spring</i>	<i>Ressort de valve</i>
54	70183	●		●	●	●	●	●	●	●	●	●	Astina opaca	<i>Fore-end, mat finish</i>	<i>Devant, mate</i>
	70185		●										Astina De Luxe opaca	<i>De Luxe fore-end, mat finish</i>	<i>Devant De Luxe, mate</i>
	70182	●		●		●	●	●	●	●	●	●	Astina lucida	<i>Fore-end, glossy finish</i>	<i>Devant, brillante</i>
	70184		●										Astina De Luxe lucida	<i>De Luxe fore-end, glossy finish</i>	<i>Devant De Luxe, brillante</i>
55	89006	●	●	●	●	●	●	●	●	●	●	●	Tappo anteriore	<i>Fore-end cap</i>	<i>Bouchon du devant</i>
56	53745	●	●	●	●								Maglietta anteriore	<i>Front swivel</i>	<i>Boucle antérieure</i>
57	51506	●	●	●	●	●	●	●	●	●	●	●	Carrello otturatore	<i>Breech bolt slide</i>	<i>Chariot de culasse mobile</i>
58	50581	●	●	●	●	●	●	●	●	●	●	●	Biella otturatore	<i>Breech bolt connecting rod</i>	<i>Bielle de culasse mobile</i>
59	92095	●	●	●	●	●	●	●	●	●	●	●	Perno biella otturatore	<i>Breech bolt connecting rod pin</i>	<i>Axe de la bielle de culasse mobile</i>
60	90085	●	●	●	●	●	●	●	●	●	●	●	Molla pulsante tiretto	<i>Cocking handle plunger spring</i>	<i>Ressort du poussoir du doigt de déverrouillage</i>
61	56051	●	●	●	●	●	●	●	●	●	●	●	Pulsante tiretto	<i>Cocking handle plunger</i>	<i>Poussoir du doigt de déverrouillage</i>
62	97037	●	●	●	●	●	●	●	●	●	●	●	Spina elastica fermo pulsante tiretto	<i>Cocking handle plunger retaining spring pin</i>	<i>Goupille élastique d'arrêt du poussoir du doigt de déverrouillage</i>
63	54707	●		●		●	●	●	●	●	●	●	Otturatore	<i>Breech bolt</i>	<i>Culasse mobile</i>
	54712		●										Otturatore De Luxe	<i>Breech bolt, De Luxe finish</i>	<i>Culasse mobile De Luxe</i>
	54601				●								Otturatore opaco	<i>Breech bolt, mat finish</i>	<i>Culasse mobile mate</i>
64	50694	●	●	●	●	●	●	●	●	●	●	●	Blocco chiusura	<i>Locking block</i>	<i>Verrou de culasse</i>
65	90148	●	●	●	●	●	●	●	●	●	●	●	Molla percussore	<i>Firing pin spring</i>	<i>Ressort de percuteur</i>
66	54731	●	●	●	●	●	●	●	●	●	●	●	Percussore	<i>Firing pin</i>	<i>Percuteur</i>
67	56426	●	●	●	●	●	●	●	●	●	●	●	Spina fermo percussore	<i>Firing pin retaining pin</i>	<i>Goupille de retenue du percuteur</i>
68	90138	●	●	●	●	●	●	●	●	●	●	●	Molla estrattore	<i>Extractor spring</i>	<i>Ressort d'extracteur</i>
69	92155	●	●	●	●	●	●	●	●	●	●	●	Piolo estrattore	<i>Extractor plunger</i>	<i>Poussoir de l'extracteur</i>
70	52238	●		●	●	●	●	●	●	●	●	●	Estrattore	<i>Extractor</i>	<i>Extracteur</i>
	53581		●										Estrattore cromato	<i>Chromium plated extractor</i>	<i>Extracteur chromé</i>
71	92154	●	●	●	●	●	●	●	●	●	●	●	Perno estrattore	<i>Extractor pin</i>	<i>Axe d'extracteur</i>
72	57135	●	●	●		●	●	●	●	●	●	●	Tiretto	<i>Cocking handle</i>	<i>Doigt de déverrouillage</i>
	57075				●								Tiretto opaco	<i>Cocking handle, mat finish</i>	<i>Doigt de déverrouillage mate</i>
73	53668	●	●	●	●	●	●	●	●	●	●	●	Guardamano	<i>Trigger plate</i>	<i>Sous-garde</i>
	54300						●	●	●	●	●	●	Guardamano Super	<i>Trigger plate, Super version</i>	<i>Sous-garde version Super</i>
74	56551	●	●	●	●	●	●	●	●	●	●	●	Sicura ambidestra	<i>Reversible safety</i>	<i>Bouton poussoir de sûreté réversible</i>
75	90042	●	●	●	●	●	●	●	●	●	●	●	Molla sicura	<i>Safety spring</i>	<i>Ressort de sûreté</i>
76	92044	●	●	●	●	●	●	●	●	●	●	●	Piolo molla sicura	<i>Safety spring plunger</i>	<i>Poussoir du ressort de la sûreté</i>
77	55300	●	●	●	●	●	●	●	●	●	●	●	Grilletto	<i>Trigger</i>	<i>Détente</i>
78	90093	●	●	●	●	●	●	●	●	●	●	●	Molla grilletto	<i>Trigger spring</i>	<i>Ressort de détente</i>
79	92099	●	●	●	●	●	●	●	●	●	●	●	Piolo portamolla grilletto	<i>Trigger spring guide plunger</i>	<i>Poussoir guide-ressort de la détente</i>
80	52026	●	●	●	●	●	●	●	●	●	●	●	Dente ritegno scatto	<i>Sear</i>	<i>Gâchette</i>
81	90094	●	●	●	●	●	●	●	●	●	●	●	Molla dente ritegno scatto	<i>Sear spring</i>	<i>Ressort de la gâchette</i>
82	92098	●	●	●	●	●	●	●	●	●	●	●	Piolo dente ritegno scatto	<i>Sear plunger</i>	<i>Poussoir de la gâchette</i>
83	50757	●	●	●	●	●	●	●	●	●	●	●	Bussola grilletto	<i>Trigger bush</i>	<i>Douille de la détente</i>

N°	Cod.	Mod. A 390										Denominazione	Description	Dénomination
		Stand.	De Luxe	Slug	Mat	Trap	Super Trap	Skeet	Super Skeet	Sporting	Super Sporting			
84	92094	●	●	●	●	●	●	●	●	●	●	Perno grilletto	Trigger pin	Axe de détente
85	71020	●	●	●	●	●	●	●	●	●	●	Cane	Hammer	Chien
86	50737	●	●	●	●	●	●	●	●	●	●	Bretella destra	Right brace	Bretelle droite
87	50738	●	●	●	●	●	●	●	●	●	●	Bretella sinistra	Left brace	Bretelle gauche
88	56006	●	●	●	●	●	●	●	●	●	●	Portamolla cane	Hammer spring guide	Guide du grand ressort
89	90030	●	●	●	●	●	●	●	●	●	●	Molla cane	Hammer spring	Grand ressort
90	55824	●	●	●	●	●	●	●	●	●	●	Piolo portamolla cane	Hammer spring guide plunger	Poussoir guide-ressort du chien
91	97007	●	●	●	●	●	●	●	●	●	●	Spina elastica fissaggio portamolla cane	Hammer spring guide spring pin	Goupille élastique du poussoir guide-ressort du chien
92	50747	●	●	●	●	●	●	●	●	●	●	Bussola cane	Hammer bush	Manchon du chien
93	50072	●	●	●	●	●	●	●	●	●	●	Anello elastico bussola cane	Hammer bush retaining spring ring	Bague élastique du manchon du chien
94	90235	●	●	●	●	●	●	●	●	●	●	Molla piolo arresto elevatore	Carrier catch plunger spring	Ressort du poussoir d'arrêt de l'élevateur
95	55631	●	●	●	●	●	●	●	●	●	●	Piolo arresto elevatore	Carrier catch plunger	Poussoir d'arrêt de l'élevateur
96	92214	●	●	●	●	●	●	●	●	●	●	Spina piolo arresto elevatore	Carrier catch plunger pin	Goupille du poussoir d'arrêt de l'élevateur
97	53667	●		●		●		●		●		Elevatore	Carrier	Élevateur
	53579		●									Elevatore De Luxe	Carrier, De Luxe finish	Élevateur De Luxe
	54236				●							Elevatore opaco	Carrier, mat finish	Élevateur mate
98	52973	●	●	●	●	●	●	●	●	●	●	Leva elevatore	Carrier lever	Levier de commande de l'élevateur
99	90083	●	●	●	●	●	●	●	●	●	●	Molla leva elevatore	Carrier lever spring	Ressort du levier de commande de l'élevateur
100	92091	●	●	●	●	●	●	●	●	●	●	Piolo portamolla leva elevatore	Carrier lever spring guide plunger	Poussoir guide-ressort du levier de commande de l'élevateur
101	55221	●	●	●	●	●	●	●	●	●	●	Perno leva elevatore	Carrier lever pin	Tourillon du levier de commande de l'élevateur
102	56158	●	●	●	●	●	●	●	●	●	●	Rullo elevatore	Carrier swivel joint	Rouleau de l'élevateur
103	56023	●	●	●	●	●	●	●	●	●	●	Portamolla elevatore	Carrier spring guide	Guide-ressort de l'élevateur
104	90092	●	●	●	●	●	●	●	●	●	●	Molla elevatore	Carrier spring	Ressort de l'élevateur
105	56159	●	●	●	●	●	●	●	●	●	●	Rullo portamolla	Spring guide swivel joint	Rouleau guide-ressort
106	92093	●	●	●	●	●	●	●	●	●	●	Perno fissaggio elevatore	Carrier pin	Tourillon de l'élevateur
107	89207			●								Tacca mira	Rear sight	Hausse
108	90080			●								Molla tacca mira	Rear sight spring	Ressort de hausse
109	53713			●								Mirino per canna Slug (H = 9)	Front sight (H = 9), slug barrel type	Guidon pour canon slug (H = 9)
	55511			●								Mirino per canna Slug (H = 8)	Front sight (H = 8), slug barrel type	Guidon pour canon slug (H = 8)
	55512			●								Mirino per canna Slug (H = 10)	Front sight (H = 10), slug barrel type	Guidon pour canon slug (H = 10)
110*												Strozzatore	Mobilchoke® tube	Tube Mobilchoke®
111*												Chiave per strozzatore	Mobilchoke® tube spanner	Clef pour tube Mobilchoke®
112	53802						●		●			Supporto impostatore	Drop insert base	Busc
113	95206						●		●			Vite anteriore fissaggio supporto impostatore	Drop insert base retaining front screw	Vis antérieure de fixation de la base du busc
114	95202						●		●			Vite fissaggio supporto impostatore	Drop insert base retaining screw	Vis de fixation de la base du busc
115	70301						●		●			Impostatore opaco piega ①	Drop insert, mat finish. Drop ①	Busc mate pour pente ①
	70307						●		●			Impostatore opaco piega ②	Drop insert, mat finish. Drop ②	Busc mate pour pente ②

N°	Cod.	Mod. A 390										Denominazione	Description	Dénomination
		Stand.	De Luxe	Slug	Mat	Trap	Super Trap	Skeet	Super Skeet	Sport-ing	Super Sport-ing			
115	70313						●		●		●	Impostatore opaco piega (3)	<i>Drop insert, mat finish. Drop (3)</i>	<i>Busc mate pour pente (3)</i>
	70319						●		●		●	Impostatore opaco piega (4)	<i>Drop insert, mat finish. Drop (4)</i>	<i>Busc mate pour pente (4)</i>
	70300						●		●		●	Impostatore lucido piega (1)	<i>Drop insert, glossy finish. Drop (1)</i>	<i>Busc brillante pour pente (1)</i>
	70306						●		●		●	Impostatore lucido piega (2)	<i>Drop insert, glossy finish. Drop (2)</i>	<i>Busc brillante pour pente (2)</i>
	70312						●		●		●	Impostatore lucido piega (3)	<i>Drop insert, glossy finish. Drop (3)</i>	<i>Busc brillante pour pente (3)</i>
	70318						●		●		●	Impostatore lucido piega (4)	<i>Drop insert, glossy finish. Drop (4)</i>	<i>Busc brillante pour pente (4)</i>
	70349						●		●		●	Impostatore piega grezzo	<i>Raw shape drop insert</i>	<i>Busc brut</i>
116	53801						●		●		●	Supporto calciolo	<i>Recoil pad base</i>	<i>Support de plaque de couche</i>
117	95204						●		●		●	Vite fissaggio impostatore	<i>Drop insert retaining screw</i>	<i>Vis d'arrêt du buse</i>
118	95201						●		●		●	Vite fissaggio supporto calciolo	<i>Recoil pad base retaining screw</i>	<i>Vis de fixation du support de plaque de couche</i>
119	95203						●		●		●	Vite fissaggio calciolo regolabile	<i>Interchangeable recoil pad retaining screw</i>	<i>Vis de fixation du coussinet interchangeable</i>

*
Vedi gamma e disponibilità su catalogo e listino prezzi.

**
Non in vendita.

*
See range and availability in General Catalogue and Price List.

**
Not for sale.

*
Voir l'assortiment et la disponibilité sur le catalogue général et sur le prix courant.

**
Pas livrable.