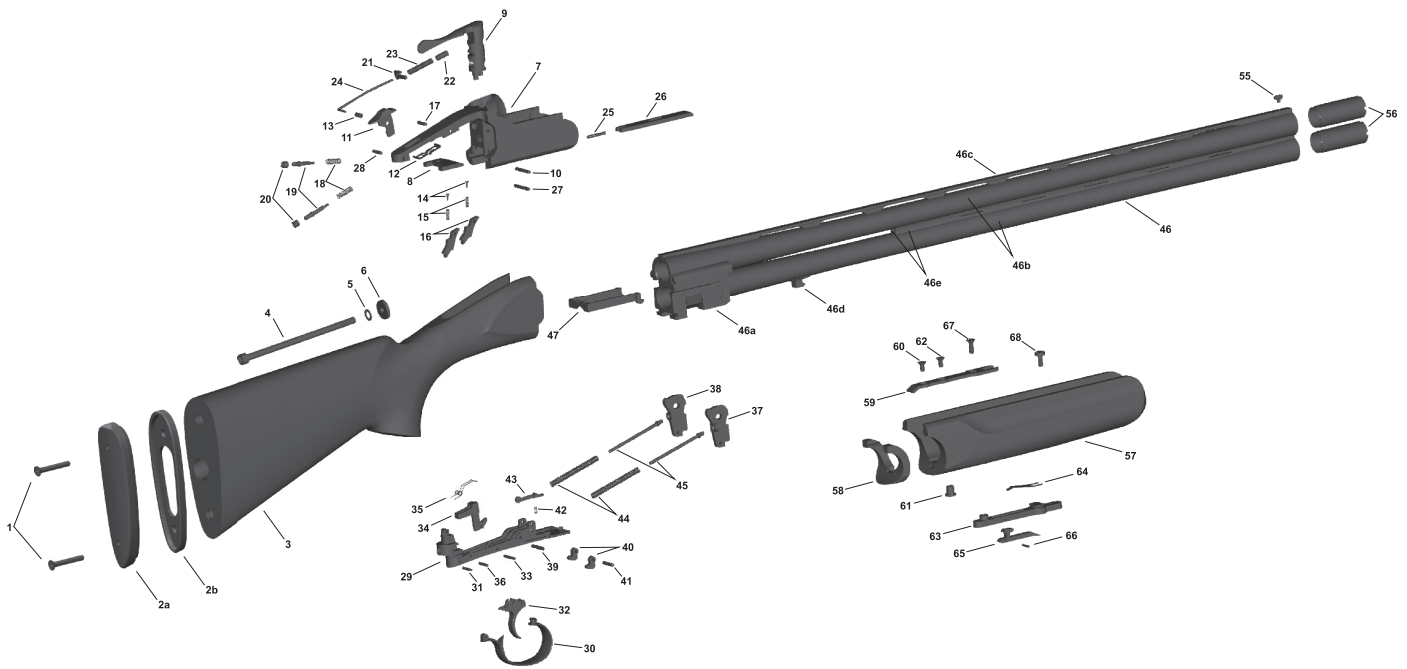


AKKAR® Model 205 Over & Under Shotgun Part Diagram



AKKAR® Model 205 Over & Under Shotgun Part List

ENGLISH

STOCK GROUP

- 1 Recoil Pad Screw(x2)
- 2a Recoil Pad
- 2b Recoil Pad Base
- 3 Stock
- 4 Stock Bolt
- 5 Stock Bolt Lock Washer
- 6 Stock Bolt Washer

RECEIVER GROUP

- 7 Receiver
- 8 Locking Plate
- 9 Top Lever
- 10 Top Lever Pin
- 11 Safety / Selector
- 12 Safety / Selector Spring
- 13 Safety / Selector Stud Pin
- 14 Sear Spring Guide (x2)
- 15 Sear Spring (x2)
- 16 Sear (x2)
- 17 Sear Pin
- 18 Firing Pin Spring (x2)
- 19 Firing Pin (x2)
- 20 Firing Pin Retainer Bushing (x2)

- 21 Top Lever Spring Stop
- 22 Top Lever Spring Guide Plunger
- 23 Top Lever Spring
- 24 Top Lever Spring Guide
- 25 Hammer Cocking Rod Spring
- 26 Hammer Cocking Rod
- 27 Bottom Plate Front Pin
- 28 Bottom Plate Back Pin
- 29 Bottom Plate
- 30 Trigger Guard
- 31 Trigger Guard Pin
- 32 Trigger
- 33 Trigger Pin
- 34 Inertia Block
- 35 Inertia Block Spring
- 36 Inertia Block Spring Pin
- 37 Hammer R.H.
- 38 Hammer L.H.
- 39 Hammer Pin
- 40 Hammer Cocking Cam (x2)
- 41 Hammer Cocking Cam Pin
- 42 Top Lever Latch Spring
- 43 Top Lever Latch
- 44 Hammer Spring (x2)
- 45 Hammer Spring Guide Rod (x2)

BARREL GROUP

- 46 Barrel Assembly
- 46a Barrel Mono Block
- 46b Barrel Tube (x2)
- 46c Top Ventilated Rib
- 46d Forend Locking Latch
- 46e Side Rib (x2)
- 47 Extractor
- 55 Front Sight
- 56 Choke Tube (x2)

FOREND GROUP

- 57 Forend
- 58 Iron Hook
- 59 Iron Plate
- 60 Iron Plate Screw
- 61 Iron Plate Bushing
- 62 Iron Plate Bushing Screw
- 63 Forend Plate
- 64 Forend Catch Spring
- 65 Forend Catch
- 66 Forend Catch Pin
- 67 Forend Plate Screw
- 68 Forend Iron Plate Screw