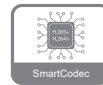


DH-IPC-HFW1239S1-LED-S5

2MP Lite Full-color Fixed-focal Bullet Network Camera



- 2MP, 1/2.8" CMOS image sensor, low illuminance, high image definition
- Outputs max. 2MP (1920 × 1080) @25/30 fps
- H.265 codec, high compression rate, ultra-low bit rate
- Built-in efficient warm light, and the max. illumination distance is 15 m
- ROI, SMART H.264+/H.265+, flexible coding, applicable to various bandwidth and storage environments
- Rotation mode, DWDR, 3D NR, HLC, BLC, digital watermarking, applicable to various monitoring scenes
- Abnormality detection: Motion detection, video tampering, network disconnection, IP conflict, illegal access
- 12V DC/PoE power supply
- IP67 protection



Series Overview

With features of simple installation, easy operation, and high performance-cost ratio, Dahua Entry series network camera is applicable to small and medium-sized scenes, such as homes/residences, small-sized retail stores, and other small and medium-sized enterprises.

Functions

Smart H.265+ & Smart H.264+

With advanced scene-adaptive rate control algorithm, Dahua smart encoding technology realizes the higher encoding efficiency than H.265 and H.264, provides high-quality video, and reduces the cost of storage and transmission.

Full-color

With high-performance sensor and large aperture lens, Dahua Full-color technology can display clear colorful image in the environment of ultra-low illuminance. With this photosensitivity technology, the camera can capture more available light, and display more colorful image details.

Motion Detection

When moving objects appear in the monitoring image, Dahua Motion Detection (General) technology triggers alarm or records.

Image Flip

For narrow and long scenes, Dahua image flip technology flips the image by 90°/180°/270° to realize better surveillance in rotation mode.

Cyber Security

Dahua network camera is equipped with a series of key security technologies, such as security authentication and authorization, access control, trusted protection, encrypted transmission, and encrypted storage, which improve its security defense and data protection, and prevent malicious programs from invading the device.

Protection (IP67, wide voltage)

IP67: The camera passes a series of strict test on dust and soak. It has dust-proof function, and the enclosure can work normal after soaking in 1 m deep water for 30 minutes.

Wide voltage: The camera allows ±30% (for some power supplies) input voltage tolerance (wide voltage range), and it is widely applied to outdoor environment with instable voltage.

Technical Specification

Camera	
Image Sensor	1/2.8" CMOS
Max. Resolution	1920 (H) × 1080 (V)
ROM	16 MB
RAM	64 MB
Scanning System	Progressive
Electronic Shutter Speed	Auto/Manual 1/3 s–1/100000 s
Min. Illumination	0.005 Lux @F1.6
S/N Ratio	>56 dB
Illumination Distance	2.8 mm: 10 m (32.8ft) 3.6 mm: 15 m (49.2ft)
Illuminator On/Off Control	Auto/Manual
Illuminator Number	1 (Warm light)
Pan/Tilt/Rotation Range	Horizontal: 0° to 360° Vertical: 0° to 90° Rotation: 0° to 360°

Lens					
Lens Type	Fixed-focal				
Lens Mount	M12				
Focal Length	2.8 mm 3.6 mm				
Max. Aperture	2.8 mm: F1.6 3.6 mm: F1.6				
Field of View	2.8 mm: Horizontal: 106°; Vertical: 56°; Diagonal: 127° 3.6 mm: Horizontal: 88°; Vertical: 46°; Diagonal: 104°				
Iris Control	Fixed				
Close Focus Distance	2.8 mm: 0.8 m (2.6 ft) 3.6 mm: 1.1 m (3.6 ft)				
DORI Distance	Lens	Detect	Observe	Recognize	Identify
	2.8 mm	43.9 m (144.0 ft)	17.5 m (57.4 ft)	8.8 m (28.9 ft)	4.4 m (14.4 ft)
	3.6 mm	54.8 m (179.8 ft)	21.9 m (71.9 ft)	11.0 m (36.1 ft)	5.5 m (18.0 ft)

Video	
Video Compression	H.265; H.264; H.264B; MJPEG (only supported by the sub stream)
Smart Codec	Smart H.265+/Smart H.264+
Video Frame Rate	Main Stream: 1920 × 1080 (1 fps–25/30 fps) Sub stream: 704 × 576 (1 fps–25 fps) 704 × 480 (1 fps–30 fps)
Stream Capability	2 streams
Resolution	1080p (1920 × 1080); 1.3M(1280 × 960);720p (1280 × 720); D1 (704 × 576/704 × 480); VGA (640 × 480); CIF (352 × 288/352 × 240)
Bit Rate Control	CBR/VBR

Video Bit Rate	H.264: 32 kbps–6144 kbps H.265: 12 kbps–6400 kbps
Day/Night	Color/B/W
BLC	Yes
HLC	Yes
WDR	DWDR
White Balance	Auto/natural/street lamp/outdoor/manual/regional custom
Gain Control	Auto/Manual
Noise Reduction	3D NR
Motion Detection	OFF/ON (4 areas, rectangular)
Region of Interest (RoI)	Yes (4 areas)
Smart Illumination	Yes
Image Rotation	0°/90°/180°/270° (Support 90°/270° with 1080p resolution and lower)
Mirror	Yes
Privacy Masking	4 areas

Alarm	
Alarm Event	Network disconnection; IP conflict; illegal access; motion detection; video tampering; safety exception

Network	
Network	RJ-45 (10/100 Base-T)
SDK and API	Yes
Cyber Security	Video encryption;configuration encryption; Digest; WSSE; account lockout; security logs; generation and importing of X.509 certification; HTTPS; trusted boot; trusted execution; trusted upgrade
Network Protocol	IPv4; IPv6; HTTP; TCP; UDP; ARP; RTP; RTSP; SMTP; FTP; DHCP; DNS; NTP; Multicast
Interoperability	ONVIF (Profile S/Profile T); CGI; P2P; Genetec
User/Host	6 (Total bandwidth: 36 M)
Storage	FTP
Browser	IE Chrome Firefox
Management Software	Smart PSS; DSS; DMSS
Mobile Client	IOS; Android

Certification	
Certifications	CE-LVD: EN62368-1 CE-EMC: Electromagnetic Compatibility Directive 2014/30/EU FCC: 47 CFR FCC Part 15, Subpart B

Power	
Power Supply	12V DC/PoE (802.3af)
Power Consumption	Basic power consumption: 1.4W (12V DC); 2.2W (PoE) Max. power consumption (ICR + H.265+IR intensity): 4.2W (12V DC); 5.3W (PoE)

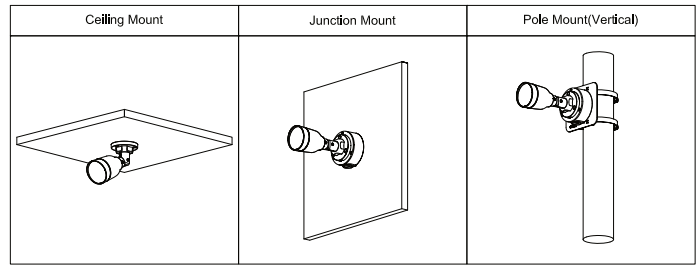
Entry Series | DH-IPC-HFW1239S1-LED-S5

Environment

Operating Conditions	-40°C to +60°C (-40°F to +140°F)/less than ≤ 95%
Storage Temperature	-40°C to +60°C (-40°F to +140°F)
Protection	IP67

Structure

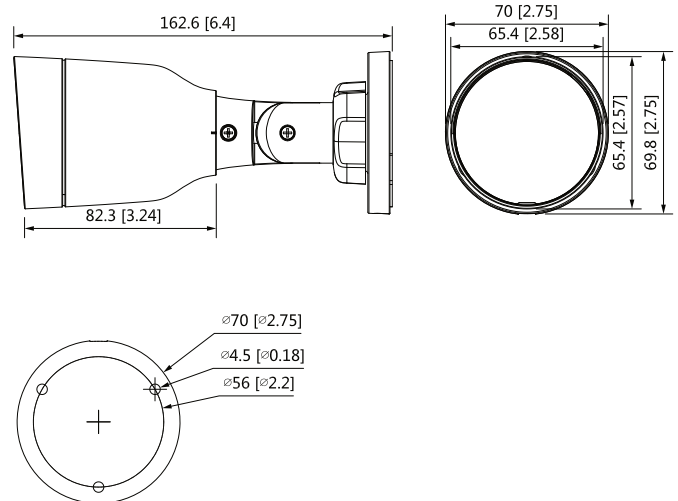
Casing	Metal + plastic
Product Dimensions	162.6 mm × Φ70 mm (6.4" × Φ2.8")
Net Weight	0.22 kg (0.4 lb)
Gross Weight	0.34 kg (0.7 lb)



Ordering Information

Type	Part Number	Description
2MP Camera	DH-IPC-HFW1239S1P-LED-S5	2MP Lite Full-colour Fixed-focal Bullet Network Camera, PAL
	DH-IPC-HFW1239S1N-LED-S5	2MP Lite Full-colour Fixed-focal Bullet Network Camera, NTSC
Accessories (optional)	PFA134	Junction Box
	PFA152-E	Pole Mount
	PFM321D	DC12V1A Power Adapter
	LR1002-1ET/1EC	Single-port Long Reach Ethernet over Coax Extender
	PFM900-E	Integrated Mount Tester

Dimensions (mm[inch])



Accessories

Optional:



PFA134
Junction Box



PFA152-E
Pole Mount



PFM321D
DC12V1A Power
Adapter



LR1002-1ET/1EC
Single-port Long
Reach Ethernet over
Coax Extender



PFM900-E
Integrated Mount
Tester