

DH-HAC-ME1239TQ-A-PV

2MP Smart Dual Illuminators Active Deterrence HDCVI Eyeball Camera



* The parameters and datasheets below can only be applied to 1239-S2 series. Intelligent Voice Alarm function which can be used with Scheduled AI of AI XVR is only available for TiOC 2.0 camera.

- Active deterrence with red blue light, siren and alarm out interface.
- Max. 30 fps@1080p.
- 130 dB true WDR, 3D NR.
- Smart Dual Illuminators.
- 40 m illumination distance.
- Super Adapt, Built-in MIC.
- 3.6 mm fixed lens (2.8 mm optional).
- CVI/CVBS/AHD/TVI switchable.
- IP67, 12 VDC.



System Overview

The Active Deterrence Series offers a multi-dimensional system that links surveillance videos to alarms, audio prompts and various types of information to assist with verifying potential risks. Cameras in this series actively warn off intruders with light and sound, while keeping you up to date of events in real-time through alarm-over-coax and its live view.

Functions

Smart Dual Illuminators

With its smart dual illumination mechanism, the camera automatically turns on the white light when Perimeter Protection/SMD Plus function of AI XVR detects a target in the rule area to capture clear, vivid images. When the target leaves the rule area, the camera automatically switches over from the white light to the IR illuminator to significantly reduce light pollution.

Active Deterrence

Designed with active deterrence technology, the camera turns on a siren and a red-blue light that flashes in intervals to deter and warn off intruders. The siren has customizable settings.

Wide Dynamic Range

With its advanced Wide Dynamic Range technology (WDR), the camera captures highly detailed images and produces high-definition recordings in high-contrast lighting conditions, and in scenes with backlighting or shadows.

Broadcast-quality Audio

Audio signal transmission over coaxial cables is supported by the HDCVI camera. It adopts a unique audio processing and transmission technology that restores source audio and eliminates noise, ensuring the quality and reliability of the audio information that is collected. This becomes important for video surveillance applications that use audio information as a type of supplementary evidence.

Advanced 3DNR

Dahua's advanced 3DNR technology reduces image noise with little to no impact on image sharpness, especially in poor lighting conditions. It detects the noise, and compares the sequential frames to effectively reduce the noise. It also makes efficient use of bandwidth, saving on storage space.

Super Adapt

With its intelligent algorithm, the camera automatically adjusts its parameters to provide optimal performance and vivid images.

Protection

IP67: The camera passed a series of rigorous dust and immersion tests. Its enclosure is both dust-proof and waterproof, and can function normally while being immersed in 1 m deep water for up to 30 minutes.
Wide voltage: The camera has $\pm 30\%$ input voltage tolerance (for some power supplies) and a wide voltage range, making it suitable for a variety of outdoor scenarios.

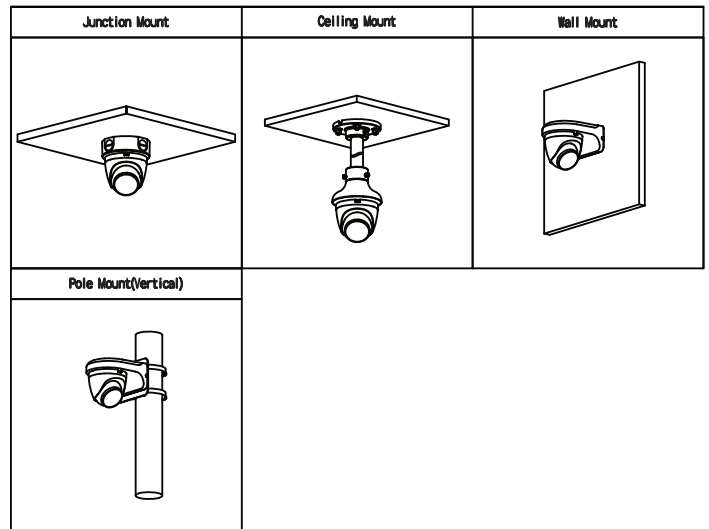
Easy Installation

The camera comes with an easy-to-install eyeball and pedestal, that cuts down on installation time and cost, outranking conventional eyeballs.

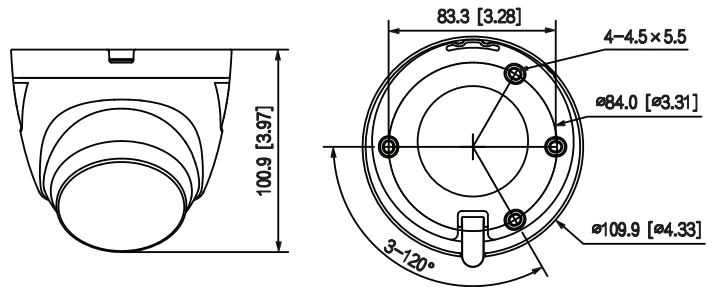
Technical Specification					
Camera					
Pixel	2 MP				
Image Sensor	2 MP CMOS				
Max. Resolution	1920 (H) × 1080 (V)				
Scanning System	Progressive				
Electronic Shutter Speed	PAL: 1/25 s–1/100,000 s NTSC: 1/30 s–1/100,000 s				
Min. Illumination	0.001 lux@F1.6 (Color, 30 IRE) 0.0001 lux@F1.6 (B/W, 30 IRE) 0 lux (Illuminator on)				
S/N Ratio	>65 dB				
Illumination Distance	IR: 40 m (131.23 ft) Warm light: 40 m (131.23 ft)				
Illuminator On/Off Control	Auto/Manual				
Illuminator Number	2 (IR light) 2 (Warm light)				
Pan/Tilt/Rotation Range	Pan: 0°–360° Tilt: 0°–78° Rotation: 0°–360°				
Lens					
Lens Type	Fixed-focal				
Lens Mount	M12				
Focal Length	2.8 mm 3.6 mm				
Max. Aperture	F1.6				
Field of View	2.8 mm: H: 108°; V: 58°; D: 127° 3.6 mm: H: 86°; V: 46°; D: 101°				
Iris Control	Fixed				
Close Focus Distance	2.8 mm: 0.7 m (2.29 ft) 3.6 mm: 1.1 m (3.61 ft)				
DORI Distance	Lens	Detect	Observe	Recognize	Identify
	2.8 mm	42.2 m (138.45 ft)	16.9 m (55.45 ft)	8.4 m (27.56 ft)	4.2 m (13.78 ft)
	3.6 mm	53.7 m (176.18 ft)	21.5 m (70.54 ft)	10.7 m (35.10 ft)	5.4 m (17.72 ft)
Video					
Video Frame Rate	CVI: PAL: 1080p@25 fps; NTSC: 1080p@30 fps; AHD: PAL: 1080p@25 fps; NTSC: 1080p@30 fps; TVI: PAL: 1080p@25 fps; NTSC: 1080p@30 fps; CVBS: PAL: 960 × 576H; NTSC: 960 × 480H				
Resolution	1080p (1920 × 1080); 960H (960 × 576/960 × 480)				
Day/Night	Auto (ICR)/Color/B/W				
BLC	BLC; HLC; WDR				
WDR	130 dB				
White Balance	Auto; Area white balance				
Gain Control	Auto/Manual				
Noise Reduction	3D NR				
Smart Illumination	Yes				
Mirror	Off/On				
Privacy Masking	Off/On (8 areas, rectangle)				
Illuminator	Smart IR&WL; WL Mode; IR Mode				
Active Deterrence					
Sound Warning	Audio1: alarm Audio2: No parking here Audio3: Private land no entry. Audio4: Warning zone keep off Audio5: Welcome Volume: high/medium/low; duration: 5 s–60 s; 110 dB				
Red/Blue Light Warning	Flash: 5 s–60 s; frequency: high/medium/low				
Certification					
Certifications	CE (EN55032: 2015, EN61000-3-2: 2014, EN61000-3-3: 2013, EN55024:2010+A1: 2015, EN55035: 2017, EN50130-4: 2011+A1: 2014, EN62368-1: 2014+A11: 2017) FCC (CFR 47 FCC Part 15 subpartB, ANSI C63.4-2014) UL (UL62368-1+CAN/CSA C22.2 No.62368-1-14)				
Port					
Video Output	Video output choices of CVI/TVI/AHD/CVBS by one BNC port				
Audio Input	One channel built-in MIC (-A)				
Power					
Power Supply	12 VDC ± 30%(It is recommended to use a power adapter to supply the power for one camera)				
Power Consumption	Max 7.6 W (12 VDC, IR on)				
Environment					
Operating Temperature	–40 °C to +60 °C (–40 °F to +140 °F)				
Operating Humidity	<95% (RH), non-condensing				
Storage Temperature	–40 °C to +60 °C (–40 °F to +140 °F)				
Protection	IP67				
Structure					
Casing Material	Inner core: Metal + plastic Cover: Plastic				
Product Dimensions	Φ109.9 mm × 100.9 mm (Φ4.33" × 3.97")				
Packaging Dimensions	148 mm × 139 mm × 137 mm (5.83" × 5.47" × 5.39")				
Net Weight	0.32 kg (0.71 lb)				
Gross Weight	0.50 kg (1.10 lb)				
Installation	Wall mount; ceiling mount; vertical pole mount				

Ordering Information

Type	Model	Description
2MP Camera	DH-HAC-HDW1239TQP-A-PV	2MP Smart Dual Illuminators Eyeball Camera, PAL
	DH-HAC-HDW1239TQN-A-PV	2MP Smart Dual Illuminators Eyeball Camera, NTSC
Accessories (Optional)	PFA13G	Junction Mount
	PFB205W	Wall Mount Bracket (For use alone or with PFA152-E)
	PFA152-E	Pole Mount Bracket (For use with PFB205W)
	PFA109	Ceiling Mount (For use alone or with PFB220C)
	PFB220C	Ceiling Mount (For use alone or with PFA109)
	PFM321D	12V 1A Power Adapter
	PFM904	Integrated Mount Tester
	PFM800-4K	1-CH Passive Video Balun
	ARA11	Indoor Siren
	ARA16	Outdoor Siren



Dimensions (mm[inch])



Accessories

Optional:



PFA13G
Junction Mount



PFB205W
Wall Mount Bracket
(For use alone or with PFA152-E)



PFA152-E
Pole Mount Bracket
(For use with PFB205W)



PFA109
Ceiling Mount (For use alone or with PFB220C)



PFB220C
Ceiling Mount (For use alone or with PFA109)



PFM321D
12V 1A Power Adapter



PFM904
Integrated Mount Tester



PFM800-4K
1-CH Passive Video Balun



ARA11
Indoor Siren



ARA16
Outdoor Siren