

- Sistemas de alarma, dispositivos portátiles o de vigilancia, entre otros.
- Fabricación que evita fugas de electrolitos
- Resistencia a vibraciones.



Especificaciones

Voltaje nominal (V)

12V

Capacidad (Ah)

33Ah

Carga de voltaje constante

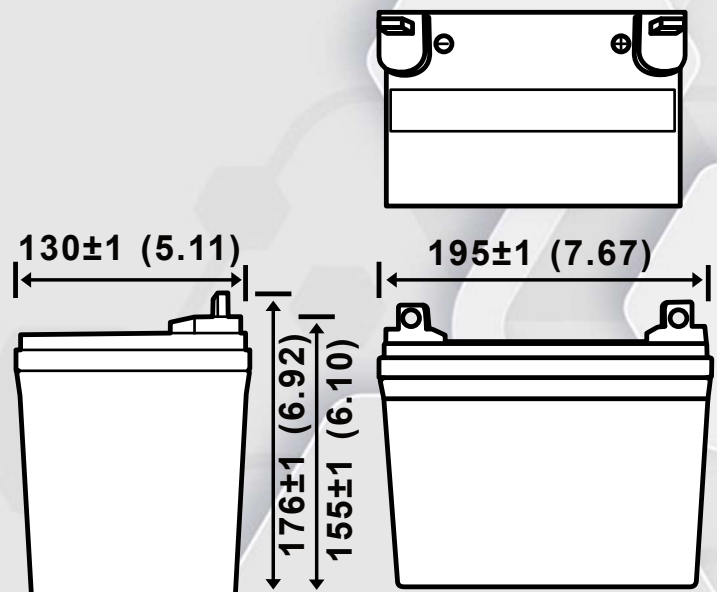
Ciclo de uso 14.4 V~15.0 V
 Uso en espera 13.5 - 13.8V
 Corriente inicial inferior a 9.9A
 No haga cortocircuito

Terminales

NB

Dimensiones

Longitud (L)	195±1 (7.67)
Ancho (w)	130±1 (5.11)
Altura (H)	155±1 (6.10)
Altura Total(HT)	176±1 (6.92)
Peso Kg	10KG



Constant Current Discharge Characteristics : A(25°C)

F.V/Time	5MIN	10MIN	15MIN	30MIN	1HR	2HR	3HR	4HR	5HR	8HR	10HR	20HR
1.60V	118.7	86.8	64.7	37.2	21.5	12.7	9.07	7.09	5.92	4.18	3.54	1.84
1.65V	114.3	83.9	62.7	36.4	21.1	12.5	8.93	6.99	5.85	4.13	3.51	1.82
1.70V	108.5	80.2	60.2	35.4	20.5	12.2	8.75	6.86	5.75	4.07	3.46	1.80
1.75V	101.0	75.1	56.8	34.0	19.8	11.8	8.49	6.68	5.61	3.99	3.39	1.77
1.80V	90.9	68.4	52.2	32.0	18.8	11.3	8.14	6.44	5.42	3.87	3.30	1.72
1.85V	77.2	59.1	45.8	29.3	17.4	10.5	7.64	6.08	5.15	3.69	3.17	1.66

Constant Power Discharge Characteristics : WPC(25°C)

F.V/Time	5MIN	10MIN	15MIN	30MIN	1HR	2HR	3HR	4HR	5HR	8HR	10HR	20HR
1.60V	201	148	113	67.5	40.2	24.1	17.3	13.6	11.4	8.17	6.96	3.62
1.65V	199	146	112	67.1	39.8	23.9	17.2	13.5	11.3	8.10	6.91	3.59
1.70V	191	141	108	65.6	38.9	23.4	16.8	13.3	11.2	7.99	6.82	3.55
1.75V	181	135	104	63.6	37.7	22.7	16.4	13.0	10.9	7.83	6.70	3.49
1.80V	166	125	96.7	60.6	36.0	21.8	15.8	12.5	10.6	7.62	6.52	3.41
1.85V	143	110	86.1	56.0	33.5	20.4	14.9	11.9	10.1	7.29	6.27	3.29

(Note) The above characteristics data are average values obtained within three charge/discharge cycle not the minimum values.

