

6201



6211

SINGER*

CONGRATULATIONS

As the owner of a new Singer sewing machine, you are about to begin an exciting adventure in creativity. From the moment you first use your machine, you will know you are sewing on one of the easiest to use sewing machines ever made.

In addition to the many familiar Singer exclusives, like a removable extension table (6211) and a friction-free spool holder, this machine offers you these features:

- Zig-zag stitching for mending and decorative uses.
- Easy to find "Letter-Coded" Accessories.
- Drop in front bobbin for easy, quick bobbin replacement.
- Simple stitch length dial and push button reverse stitching.
- Snap-on presser feet that are quickly removed and easily replaced.
- One-way needle insertion that makes it impossible to insert the needle incorrectly.

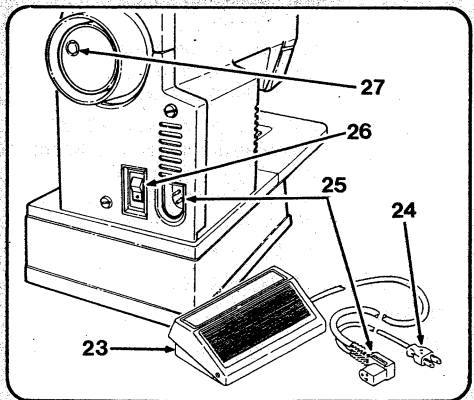
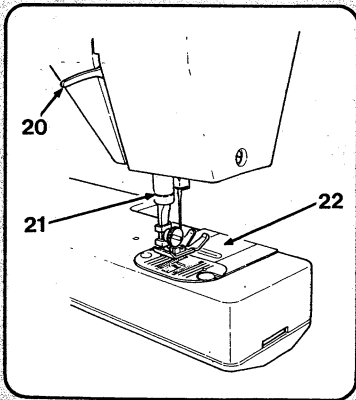
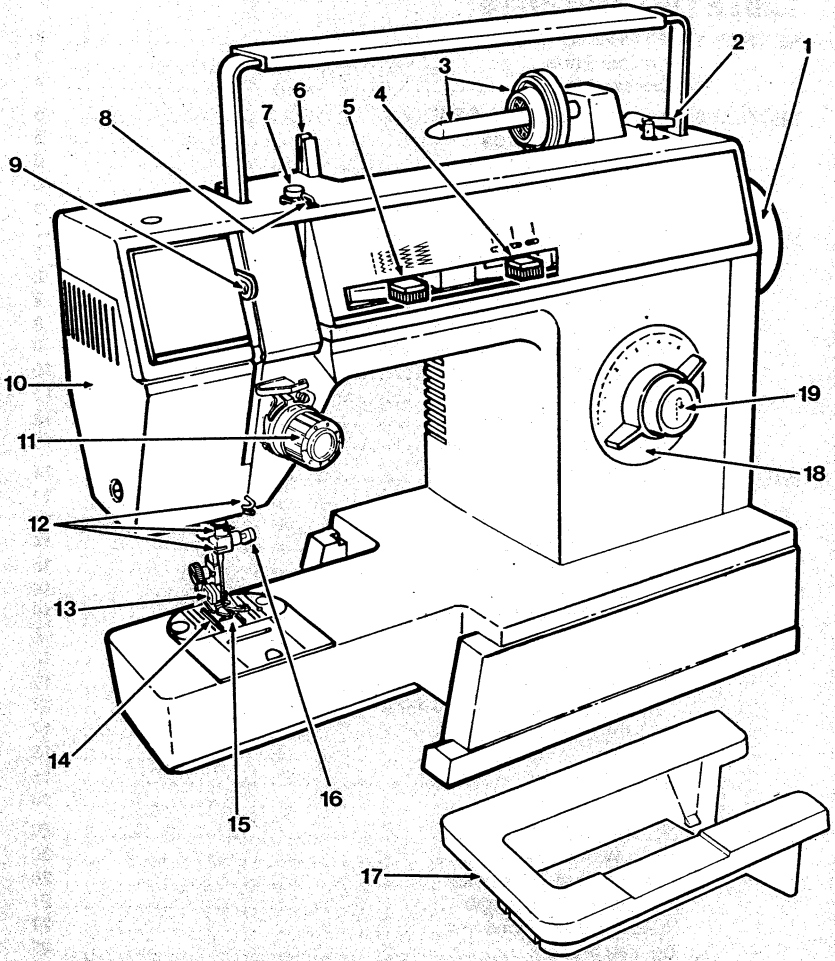
May we recommend that, before you start to use your sewing machine, you discover the many advantages and the ease of operation by going through this instruction book, step by step, seated at your machine.

To ensure that you are always provided with the most modern sewing capabilities, the manufacturer reserves the right to change the appearance, design or accessories of this sewing machine when considered necessary.

TABLE OF CONTENTS

SECTION 1. GETTING TO KNOW YOUR MACHINE	2
Principal Parts	2
Accessories	4
SECTION 2. GETTING READY TO SEW	5
Important Safeguards	5
Operating the Machine	6
Connecting the Machine	6
Choosing and Changing Needles	6
Changing Snap-On Presser Feet	7
Changing Screw-On Presser Feet	7
Changing the Needle Plate	8
Attaching the Feed Cover	8
Removing and Replacing the Extension Table	8
Fabric, Thread, and Needle Table	9
Winding a Bobbin	10
Inserting a Bobbin	11
Threading the Machine	12
Raising the Bobbin Thread	13
SECTION 3. STRAIGHT STITCHING	14
Stitch Width Selector	14
Needle Position Selector	14
Stitch Length Selector	14
Adjusting Thread Tension	15
Sewing a Seam	16
Placing Fabric Under Foot	16
Basting	16
Keeping Seams Straight	16
Starting a Seam	17
Guiding and Supporting Fabric	17
Sewing in Reverse	17
Darning	18
Quilting	18
Inserting a Zipper	19
SECTION 4. ZIG-ZAG STITCHING	20
Stitch Width Selector	20
Needle Position Selector	20
Adjusting Stitch Length	21
Needle Thread Tension	21
Zig-Zag Stitch	22
Seam Finishing	22
Satin Stitching	22
Block Monogramming	22
Attaching a Button	23
SECTION 5. FREE-ARM SEWING	24
SECTION 6. CARING FOR YOUR MACHINE	25
Removing and Replacing Bobbin Case	25
Changing the Light Bulb	26
Cleaning the Machine	26
Lubricating the Machine	27
ADDITIONAL ACCESSORIES	28
PERFORMANCE CHECKLIST	29
NOTES	30
INDEX	32

1. GETTING TO KNOW YOUR MACHINE



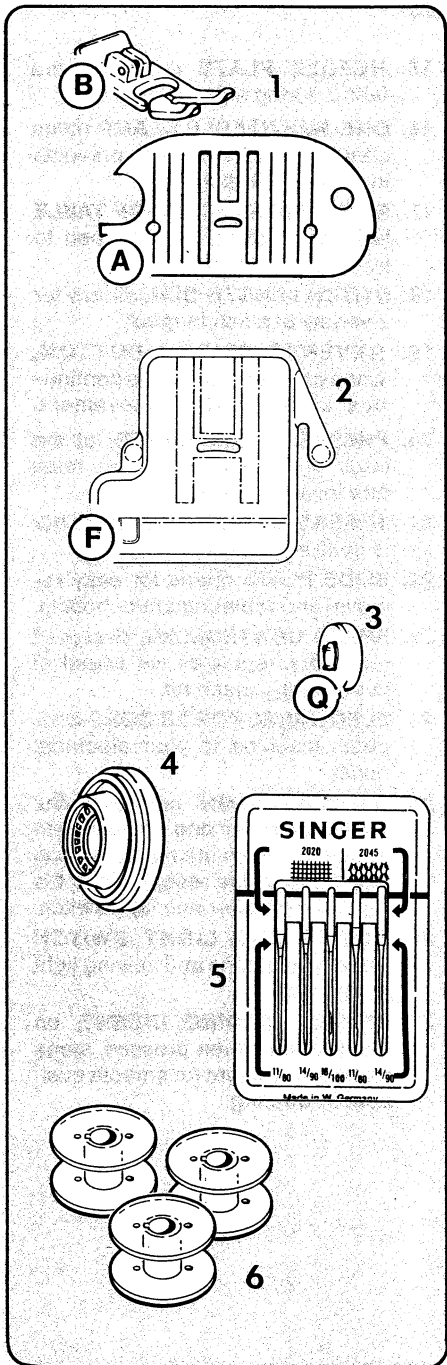
PRINCIPAL PARTS

What they are and what they do

- 1. HAND WHEEL** provides a means of raising or lowering the needle manually.
- 2. BOBBIN WINDER** is for filling the bobbin with thread.
- 3. FRICTION-FREE SPOOL PIN AND CAP** hold the top thread supply and allow it to unwind smoothly.
- 4. NEEDLE POSITION SELECTOR** positions needle in left, center or right position for special applications.
- 5. STITCH WIDTH LEVER** controls width of stitch and sets needle for straight stitching.
- 6. SNAP-IN THREAD GUIDE** helps to insure smooth flow of thread.
- 7. BOBBIN WINDER TENSION DISC** provides thread tension when bobbin winding.
- 8. THREAD GUIDE** leads thread down into tension discs.
- 9. TAKE UP LEVER** draws correct amount of thread from spool for best stitch formation.
- 10. FACE PLATE** is a removable cover protecting movable parts and sewing light.
- 11. NEEDLE THREAD TENSION DIAL** controls top thread tension.
- 12. THREAD GUIDES** lead thread to needle.
- 13. SNAP ON PRESSER FOOT** holds fabric against feed system teeth.
- 14. FEED SYSTEM** moves fabric under presser foot.
- 15. NEEDLE PLATE** supports the fabric during sewing.
- 16. ONE-WAY NEEDLE CLAMP** holds needle in machine and prevents incorrect insertion.
- 17. REMOVABLE EXTENSION TABLE** lets you change from flat bed to free arm. (6211 only)
- 18. STITCH LENGTH DIAL** allows for a variety of stitch lengths.
- 19. REVERSE STITCH BUTTON**, when pushed in provides continuous reverse fabric movement.
- 20. PRESSER FOOT LIFTER**, at the back of machine, lets you raise and lower presser foot.
- 21. THREAD CUTTER**, on presser bar is built-in for ease.
- 22. SLIDE PLATE** opens for easy removal and replacement of bobbin.
- 23. SPEED CONTROLLER**, designed for safety, regulates the speed of your sewing machine.
- 24. ELECTRICAL POWER CORD** connects machine to your electrical outlet.
- 25. MACHINE PLUG** connects the speed controller and power line to the motor. Push the machine plug into the machine receptacle to the right of the power and light switch.
- 26. POWER AND LIGHT SWITCH** turns on machine and sewing light at one time.
- 27. BOBBIN WINDING INDENT**, on hand wheel. When pressed, stops needle movement for smooth even bobbin winding.

ACCESSORIES

The following accessories furnished with your sewing machine are designed to simplify your sewing projects and increase the versatility of your machine.



The letter you see next to the illustrated part is actually on the part itself and is to help you make sure your selection is correct when sewing different applications.

1. **GENERAL PURPOSE NEEDLE PLATE (A)** and **PRESSER FOOT (B)** are on your machine when delivered. Use together for alternating between straight and zig-zag stitching.
2. **FEED COVER (F)** is used to prevent the feed from moving the fabric when darning or free motion embroidery.
3. **SMALL THREAD SPOOL HOLDER (Q)** for use with small diameter spools of thread.
4. **FRICTION FREE SPOOL HOLDER** is used to hold various size spools and allows thread to unwind smoothly. The spool does not turn.
5. **NEEDLE PACK** includes an assortment for sewing various types of fabrics.
6. **TRANSPARENT BOBBINS** for easy viewing of thread supply.

2. GETTING READY TO SEW

IMPORTANT SAFEGUARDS

1. Remove plug from the socket outlet when changing needles, feet, or needle plates, or when leaving the machine unattended. This eliminates the possibility of starting the machine by accidentally pressing the speed controller.
2. Before removing the bobbin case, remove plug from the socket outlet.
3. Because of the up and down movement of the needle, you must work carefully and watch the sewing area when operating the machine.
4. Do not pull the fabric while you are stitching as this may deflect the needle, causing it to break.
5. Before cleaning your machine, remove plug from the socket outlet.
6. Do not attempt to adjust the motor belt. Contact your nearest Service Center or an authorized Singer dealer should any adjustment be required.
7. Before changing light bulb, make sure you have removed plug from socket outlet. Be sure to replace the face plate which covers the light bulb before operating the machine.
8. This machine is designed to use a 15-watt maximum light bulb.

This product is suppressed for radio and television interference with the International Electro-technical Commission requirements of the CISPR.

Machines for Great Britain and some other countries having similar wiring standards are shipped from the factory without a plug for connection to the mains. The wires in this mains lead are coloured in accordance with the following code:

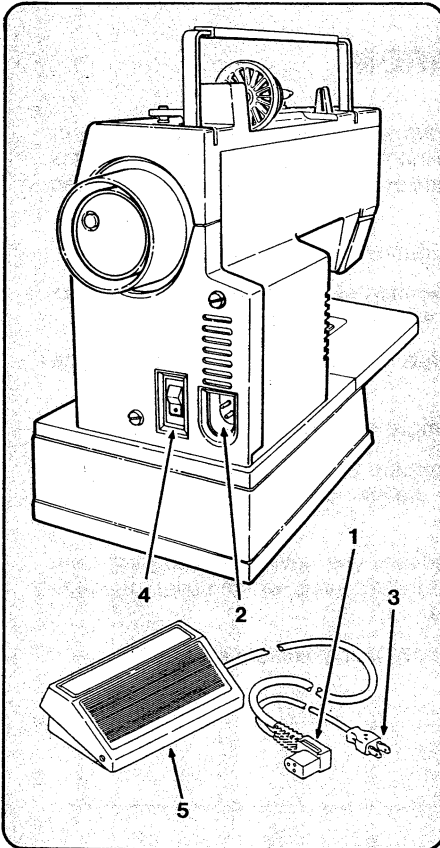
Blue: neutral (N) Brown: live (L)

As the colours of the wires in the mains lead of this appliance may not correspond with the coloured markings identifying the terminals in your plug, proceed as follows:

The wire which is coloured blue must be connected to the terminal which is marked with the letter N or coloured black. The wire which is coloured brown must be connected to the terminal which is marked with the letter L or coloured red. If a 13 Amp. (BS 1363) plug is used, a 3 Amp. fuse must be fitted, or if any other type of plug is used, a 5 Amp. fuse must be fitted either in the plug or adaptor or at the distribution board.

Neither core is to be connected to the earth terminal of a three-pin plug.

OPERATING THE MACHINE



Connecting the machine

Push plug (1) into the receptacle (2) at the right end of the machine. Then connect plug (3) to your socket outlet.

Running the machine

To turn on machine and sewing light, press upper portion of power switch (4). To turn off machine and light, press lower portion "0" of power switch.

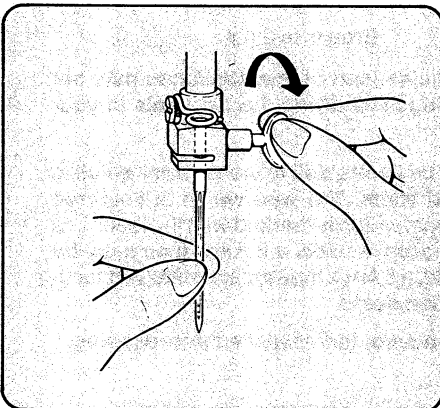
To run the machine and control speed, press the speed controller (5) with your foot. The harder you press, the faster the machine will sew. To stop machine, remove foot from controller.

NOTE: Do not operate machine without fabric under the presser foot as this may damage the feed and the presser foot.

CHOOSING AND CHANGING NEEDLES

IMPORTANT:

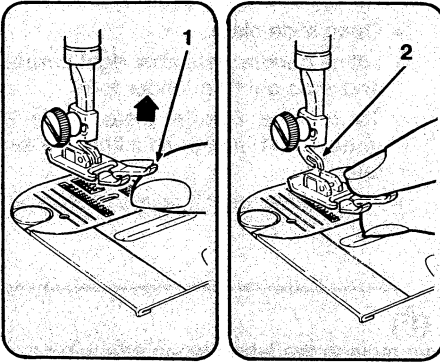
For best results from your sewing machine, use only Singer needles. Check the needle package, and the Fabric, Thread and Needle Table on page 9 for the correct needle and fabric combination.



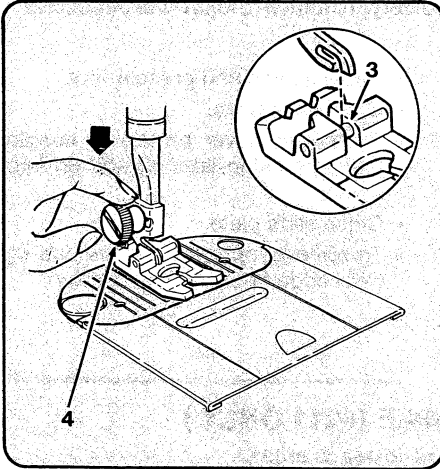
- Raise needle to its highest position.
- Loosen needle clamp screw and remove needle.
- With flat side of needle to the back, insert new needle up into clamp as far as it will go.
- Tighten needle clamp screw securely.

CHANGING SNAP-ON PRESSER FEET (B),(D),(J)

Your machine comes with the General Purpose Presser Foot (B) already attached. You can easily change to any one of the other presser feet which snap onto a common shank by following the directions below.



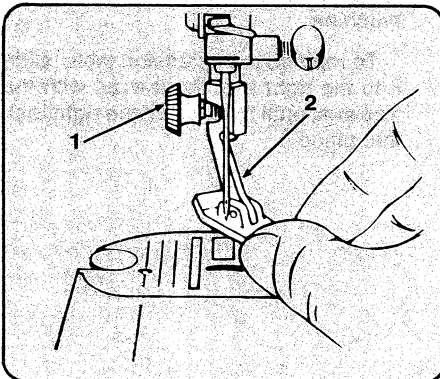
- Raise needle to its highest position by turning hand wheel toward you.
- Raise presser foot using presser foot lifter at back of machine.
- Push toe of presser foot (1) up, until it snaps off the shank (2).
- Remove foot from machine.



- Place new foot under center of shank.
- Lower presser foot lifter, fitting shank over presser foot pin (3).
- Don't turn screw. Instead, push presser foot screw (4) down, firmly until foot snaps into place.

CHANGING SCREW-ON PRESSER FEET (H),(G)

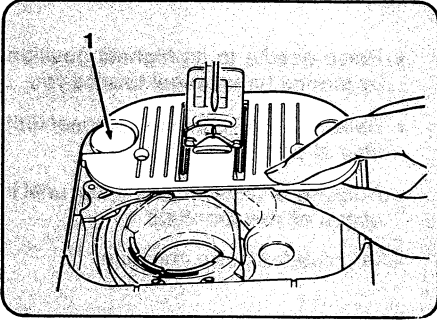
Some special presser feet can be purchased at your sewing center with built-in shanks that can be replaced as follows:



- Raise needle and presser foot.
- Loosen presser foot screw (1) and remove presser foot with shank (2), guiding it toward you and to the right.
- To replace presser foot with shank, hook shank around the presser bar and tighten presser foot screw with the use of a coin.

CHANGING THE NEEDLE PLATE (A),(C)

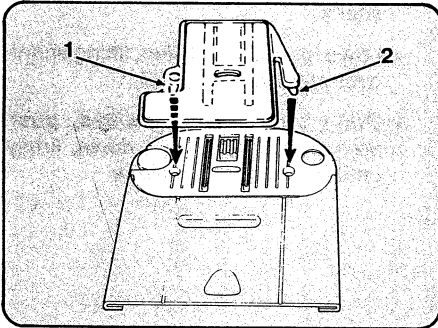
Your machine comes with the General Purpose Needle Plate (A) attached. The Straight Stitch Needle Plate (C), can be purchased at your sewing center and can be attached as follows:



- Raise needle and presser foot.
- Open slide plate.
- Lift up needle plate from right corner and slide out from under foot.
- To replace needle plate, slide it under pin (1) and push it firmly to the left.
- Press down until it snaps into place.

ATTACHING THE FEED COVER (F)

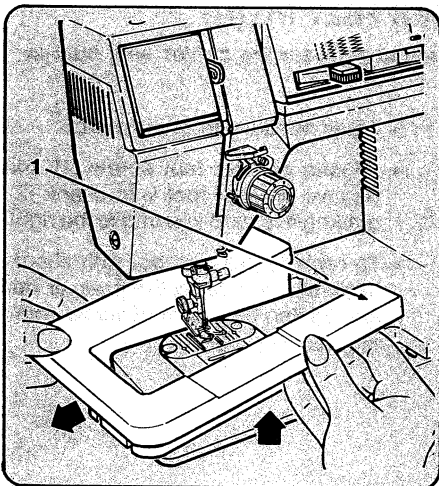
The feed cover is used to keep the feed from moving the fabric when attaching a button, darning or sewing free-motion embroidery. To attach it, follow the directions below:



- Raise needle and presser foot.
- Open slide plate.
- Slide feed cover on top of needle plate, pressing tabs (1) and (2) into holes.
- Close slide plate.
- To remove, open slide plate and lift front edge of cover; pull it away.

REMOVING THE EXTENSION TABLE (6211 ONLY)

Free arm sewing makes it easier to sew hard-to-reach areas.



To change machine for free arm sewing, lift right edge (1) of extension table, slide it to the left and off the machine.

To replace the extension table, slide it to the right keeping it even with the free arm, until the tabs on the right lock into place.

FABRIC, THREAD AND NEEDLE TABLE

The needle and thread you choose will depend upon the fabric being sewn. The table below is a practical guide to needle and thread selection. Always refer to it before beginning a sewing project. Be sure to use the same size and type of thread in both needle and bobbin.

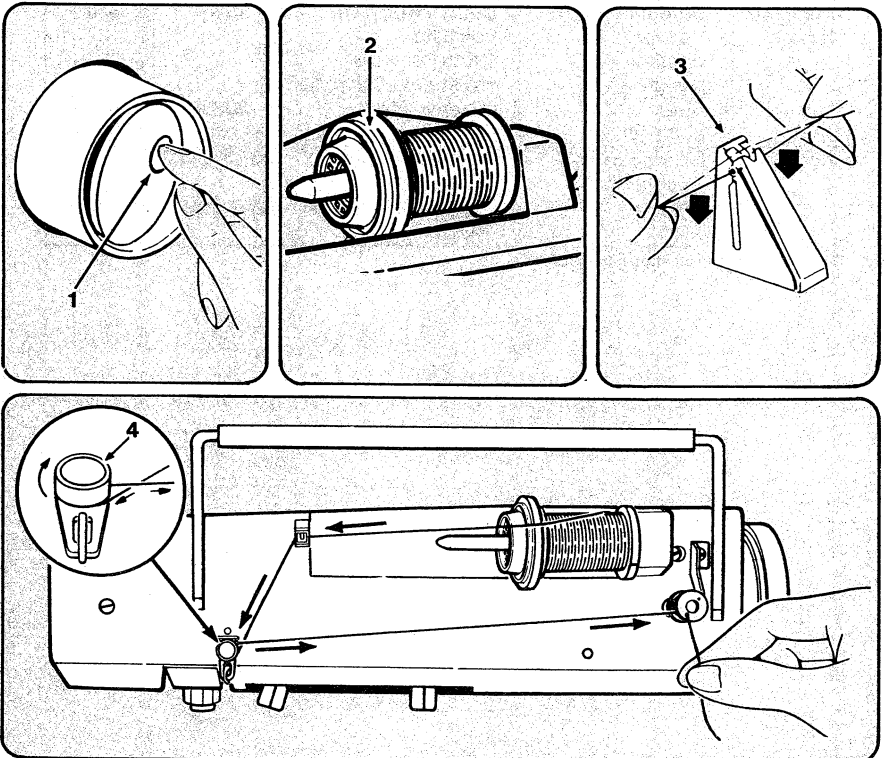
The fabrics below can be of any fiber: cotton, linen, silk, wool, synthetic, rayon, blends. They are listed as examples of weight.			NEEDLES	
	FABRICS	THREAD	TYPE	SIZE
Light-Weight	Batiste Chiffon Crepe	Cotton-wrapped Polyester 100% Polyester †Mercerized Size 50 Nylon	2020	11/80
Medium-Weight	Corduroy Flannel Gabardine Gingham Linen Muslin Wool Crepe	Cotton-wrapped Polyester 100% Polyester †Mercerized Size 50 Nylon	2020	14/90
Medium-Heavy	Bonded Wovens Canvas Coating Denim Duck Sailcloth	Cotton-wrapped Polyester 100% Polyester †Mercerized Size 40 †"Heavy Duty"	2020	16/100
			2020	18/110
Knits	Bonded Knits Double Knit Jersey Tricot	Cotton-wrapped Polyester Polyester Nylon	Ball-Point 2045	Size 11/80 - 14/90 - 16/100

†Not recommended on stretch fabrics.

WINDING A BOBBIN

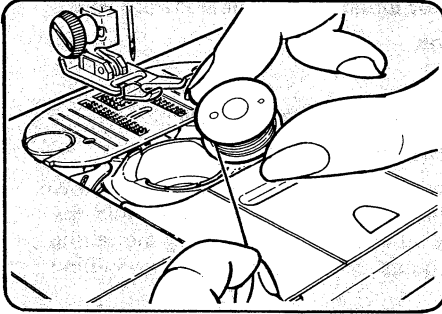
Winding a bobbin is quick and easy when you follow the directions below. Always wind the bobbin before threading the machine and needle.

- Push in indent (1) on hand wheel disc. This will stop the needle from moving.
- Place spool of thread on spool pin.
- Slide spool cap (2) firmly over rim of spool to prevent thread tangling.
- Lead thread from spool and snap into thread guide post (3).
- Wind thread clockwise around front of bobbin winder tension disc (4).
- Pass thread end, from inside, through small hole in rim of bobbin.
- Place bobbin on spindle and push it to the right.
- Holding thread end, step on speed controller to run machine until desired amount of thread is wound. (Winding stops automatically once bobbin is full.)
- Cut thread; push bobbin to the left and remove it from spindle.
- Trim thread end from top of bobbin.
- Return hand wheel disc to sewing position by pressing on side opposite indent.

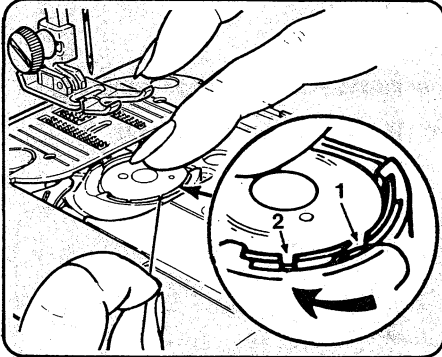


INSERTING A BOBBIN

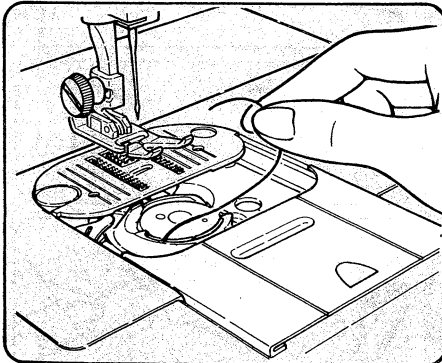
To insert a bobbin, follow the instructions below:



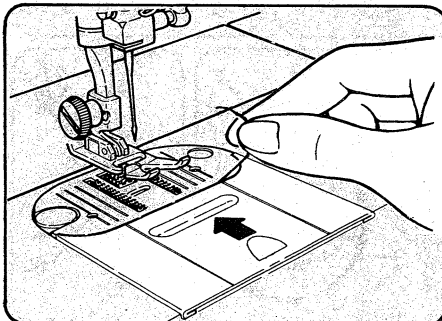
- Raise presser foot.
 - Turn hand wheel toward you until needle is in its highest position.
 - Open slide plate and remove empty bobbin.
1. Pull 4" (10cm) of thread from replacement bobbin and insert bobbin into case, as shown.



2. Holding bobbin in place, guide thread into notch (1) and then down the slot to the left and guide around into notch (2).



3. Draw several inches of thread diagonally across the bobbin toward the back of the machine.

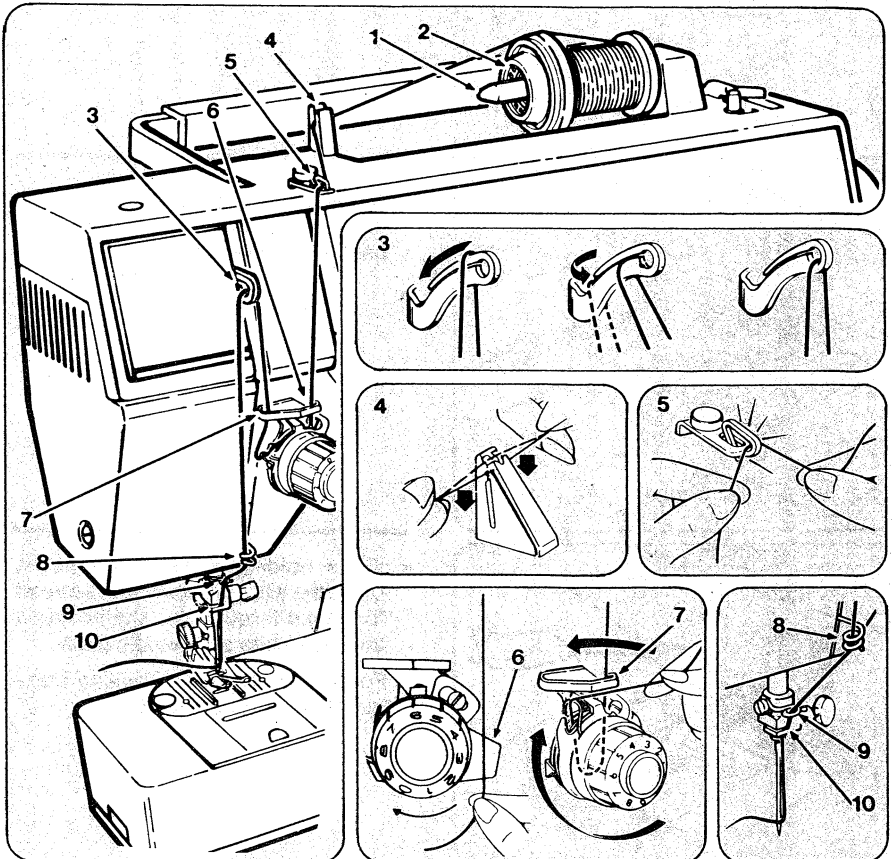


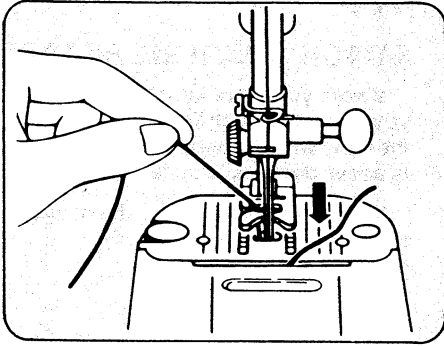
4. While holding thread on outside, close the slide plate, allowing thread to extend through the slot between the slide plate and needle plate.
- Follow directions for "Raising Bobbin Thread" on page 13.

THREADING THE MACHINE

To thread your machine correctly, follow the steps below:

- Raise take-up lever (3) to highest position by turning hand wheel toward you.
- Raise presser foot to release thread tension.
- Place spool of thread on spool pin (1).
- Slide spool cap (2) firmly over rim of spool to prevent thread tangling.
- Lead thread from spool and snap into thread guides (4) and (5).
- Thread the tension discs by leading thread down against the tab (6), as shown, around the tension discs and up under the spring on the left side. Hold the spool lightly with finger, pull thread gently up and to the right, lifting the spring and allowing thread to slip into thread guard. Then, lead thread up behind thread guide (7).
- Slip thread into take-up lever as illustrated (3).
- Pass thread through guides (8) and (9).
- When sewing heavier weight threads, do not thread the lower thread guide (10).
- Thread needle from front to back, pulling 4" (10cm) of thread through eye.

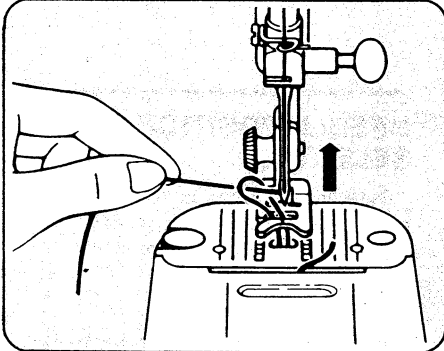




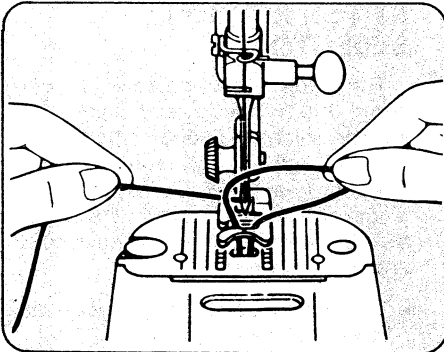
RAISING THE BOBBIN THREAD

Once the needle has been threaded and the bobbin placed in the bobbin case, the bobbin thread must be brought up through the hole in the needle plate.

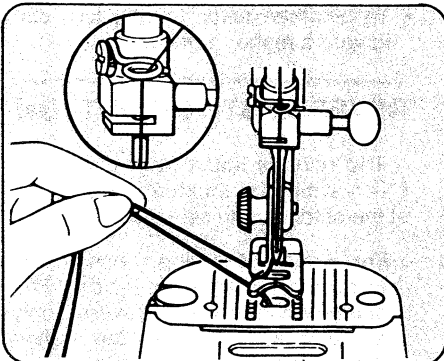
1. Hold needle thread loosely with left hand.
 - Turn hand wheel slowly toward you, lowering needle into hole in plate.



2. Continue to do this until needle rises above needle plate.
 - Pull gently on needle thread and bring up bobbin thread in a loop.

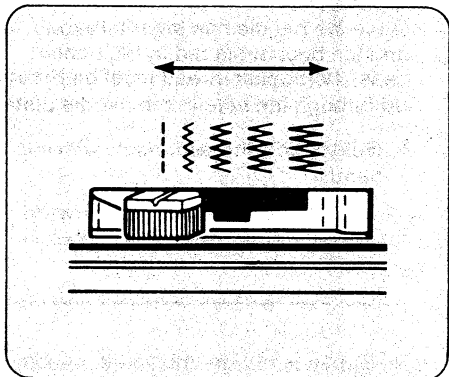


3. Open loop with fingers to find end of bobbin thread.




4. Draw needle thread through left side opening in presser foot.
 - Pull both threads to back of machine.
 - When sewing with heavier weight thread, **do not** thread the lower thread guide no. 10.

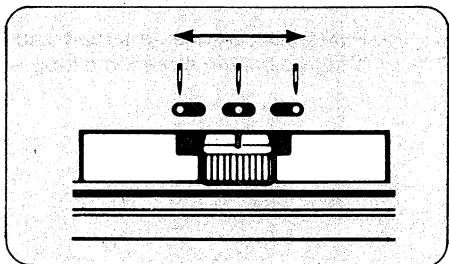
3. STRAIGHT STITCHING






STITCH WIDTH SELECTOR

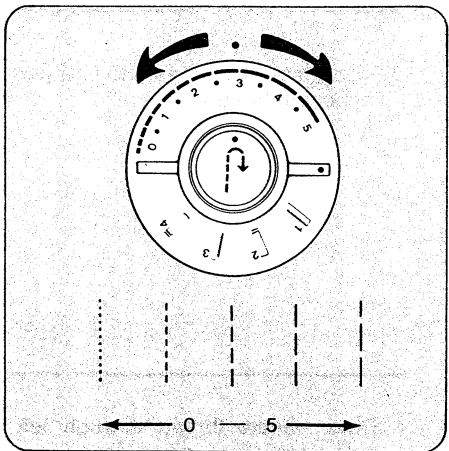
Before you move the selectors to set your machine for straight stitching, turn the hand wheel toward you until needle is above the needle plate.

To straight stitch, the stitch width lever must be set at  only.




NEEDLE POSITION SELECTOR

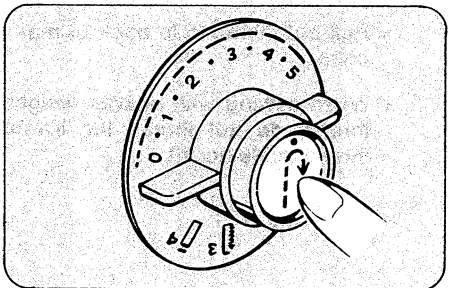
Needle Position Selector positions the needle in left () , center () or right () needle positions.



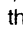
STITCH LENGTH SELECTOR

The stitch length indicator is numbered 0 to 5. The lower numbers are shorter stitches. Shorter stitches are best for lightweight fabrics; longer ones for heavy fabrics. To adjust the length of your stitches, turn the dial so that desired stitch length is positioned under  symbol.

- To shorten stitch length, turn dial toward a lower number.
- To lengthen stitch length, turn dial toward a higher number.



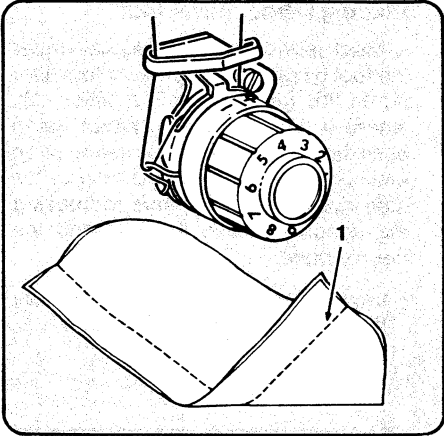
REVERSE STITCH BUTTON

The reverse stitch button, with the () symbol, is located in the center of the stitch length selector.

- For reverse stitching, push in the button and hold in place. The machine will stitch in reverse only as long as you keep the button depressed.

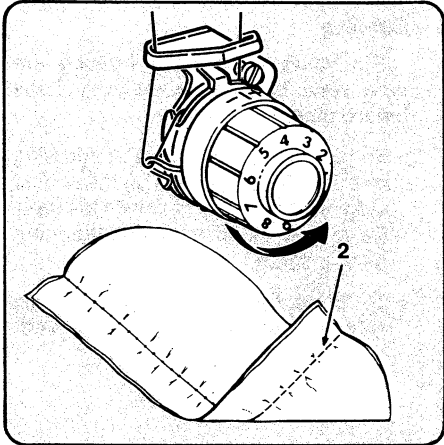
ADJUSTING THREAD TENSION

When an even amount of tension is exerted on both threads, a smooth even stitch, known as a balanced stitch, is produced.



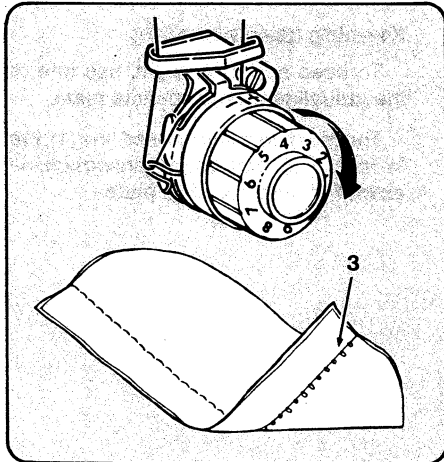
Correct tension is important because too much or too little will weaken your seams or cause your fabric to pucker. Make a test sample with the fabric and thread you plan to use and examine it.

A perfect, well balanced stitch (1), will have the needle and bobbin threads locked between the two layers of fabric with no loops on top or bottom and no puckers.



Too much, tension will produce a tight stitch (2) which will cause the fabric to pucker.

- To decrease tension, turn the dial to a lower number.

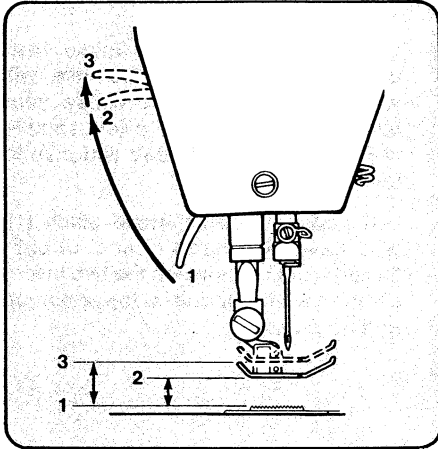


Too little tension will produce a loose stitch (3) which will cause loops in your seam.

- To increase tension, turn the dial to a higher number.

SEWING A SEAM

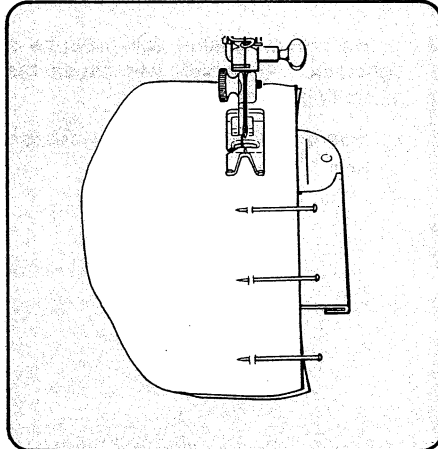
You can sew seams easily and accurately when you follow the suggestions below.



Placing fabric under foot

Most fabrics can be placed under the foot by raising the presser foot lifter (1) to its normal "Up" position (2), where it locks in place. When using bulky fabric, multiple fabric layers or an embroidery hoop, raise the lifter to the high rise position (3), thus increasing the space between the foot and the needle plate.

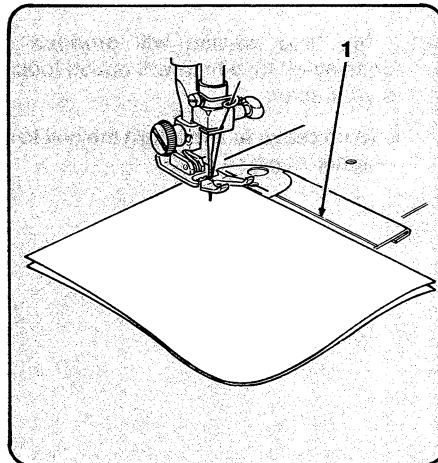
- Lower presser foot lifter all the way down and you are ready to sew.



Basting

Pin basting and hand basting are easy ways to make temporary seams before machine sewing.

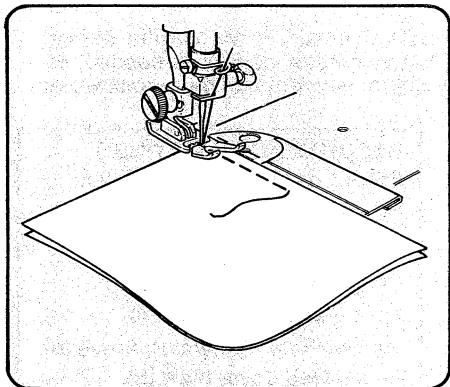
- To pin baste, insert pins at stitching line. NEVER place pins on the under-side of fabric in contact with the feed. Do not sew over pins; pull them out as you stitch.
- To hand baste, make long, loose stitches that can be easily removed.



Keeping seams straight

To keep seams straight, use one of the guidelines on the needle plate.

The most commonly used line (1), the $\frac{5}{8}$ inch (1.6 cm) seam allowance, is extended onto the slide plate.

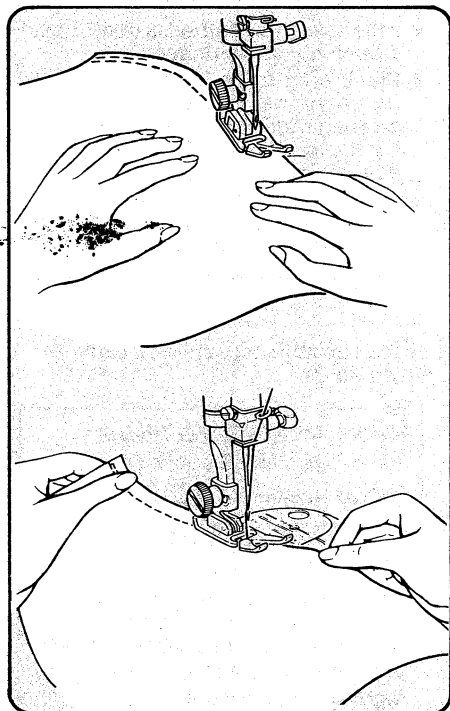


Starting a seam

Place fabric under presser foot $\frac{1}{2}$ inch (12 mm) from rear of fabric. Align the right edge with one of the seam guidelines on the throat plate. Lower the presser foot.

Backstitch to the edge of the fabric for reinforcement by pushing in the reverse button located in center of the stitch length dial. Hold button in until stitching reaches edge of fabric.

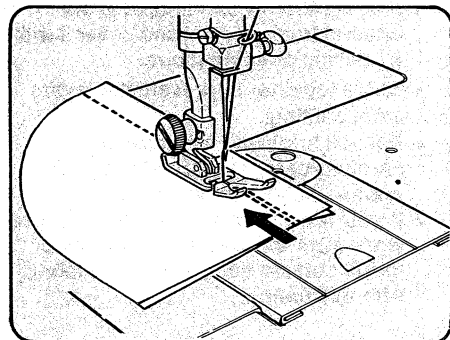
Release push button for forward stitching.



Guiding and supporting fabric

Most fabrics need only to be guided in front of the presser foot. Some fabrics, however, require support while being stitched.

- For tricot, and other similar synthetic knits, apply gentle tension by holding fabric tight in front and back of presser foot as you sew. Do not pull fabric.
- For elasticized fabric, stretch lace, and knits with an unusual amount of elasticity, apply firm tension in front and back of the presser foot to stretch the seam as the stitches are being placed.

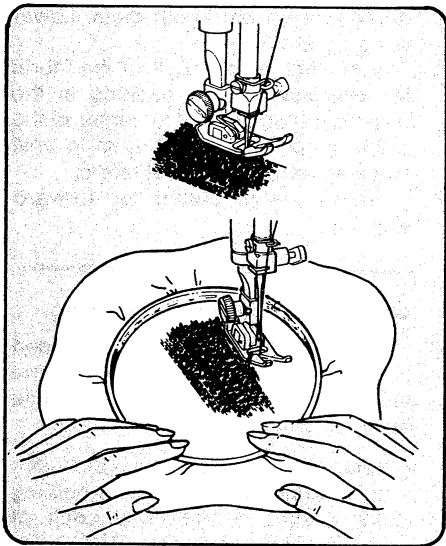


Sewing in reverse

For strengthening the end of a seam, push in the reverse button and backstitch 3-4 stitches. Raise needle and presser foot and remove fabric by drawing it to the back and left. Cut thread on thread cutter on presser bar.

Darning


Worn or torn spots on children's clothes, and household linens can be darned effortlessly and quickly with little practice. When greater control is needed, an embroidery hoop and a special darning and embroidery foot can be purchased at your sewing center.



RECOMMENDED SETTINGS

Stitch Selection: Straight Stitch

Needle Position: 

Stitch Width: 

Stitch Length: 2-4

Foot: General Purpose (B)

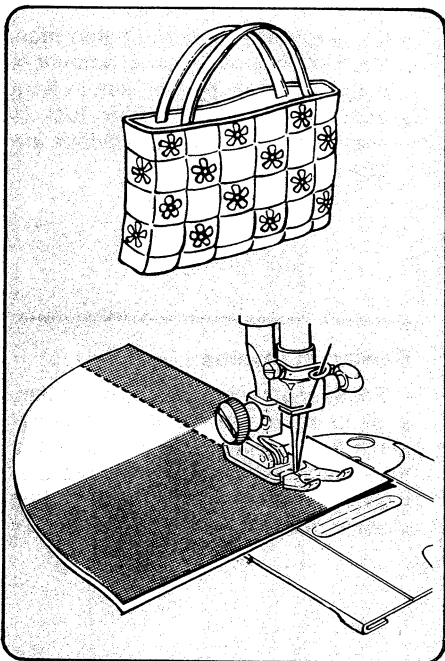
Needle Plate: General Purpose (A)

Attach feed cover plate (F).

- If the area to be darned is open, baste a backing on the underside.
- Place area to be darned, right side up, under presser foot; lower the foot and begin stitching, alternately drawing the fabric toward you and pulling it gently away from you.
- Continue this forward and backward motion as you fill the area in with parallel lines of stitching.

QUILTING


Quilting is the art of stitching two or more thicknesses of fabric together in a planned design. A padding is used to produce a soft, puffed effect.



RECOMMENDED SETTINGS

Stitch Selection: Straight Stitch

Needle Position: 

Stitch Width: 

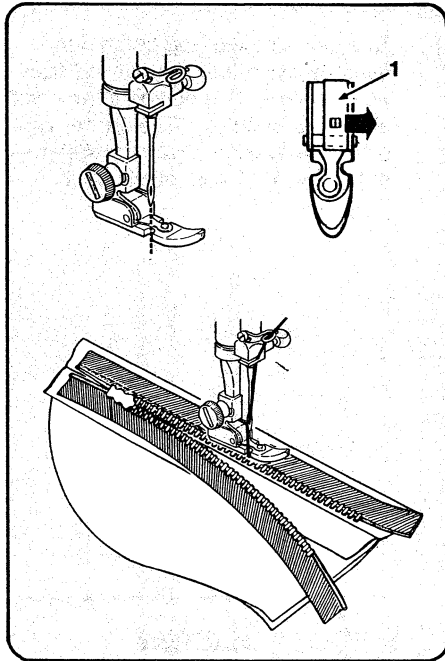
Foot: General Purpose (B)

Needle Plate: General Purpose (A)

- Mark the design or quilting lines with a chalk or a washable marker on the right side of garment.
- Place a filler, or padding, over the underside of garment and cover it with a backing or lining fabric.
- Baste together to prevent the layers from shifting.
- Place fabrics under needle and carefully begin to stitch along your marked pattern on the fabric.
- If you are quilting a very large piece, work from the center of the fabric to the outside edge and guide fabric with two hands.

INSERTING A ZIPPER

Most zipper packages will provide complete easy to follow instructions for inserting various types of zippers. We recommend using the zipper foot, which can be purchased at your sewing center, to form an even line of stitching close to the zipper.



RECOMMENDED SETTINGS

Stitch Selection: Straight Stitch

Needle Position:

Stitch Width:

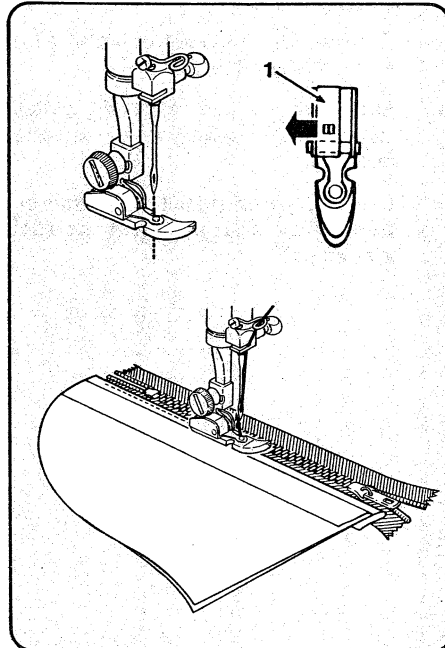
Stitch Length: 2-4

Foot: Zipper (E)

Needle Plate: General Purpose (A)

When the zipper teeth are to the left of the needle.

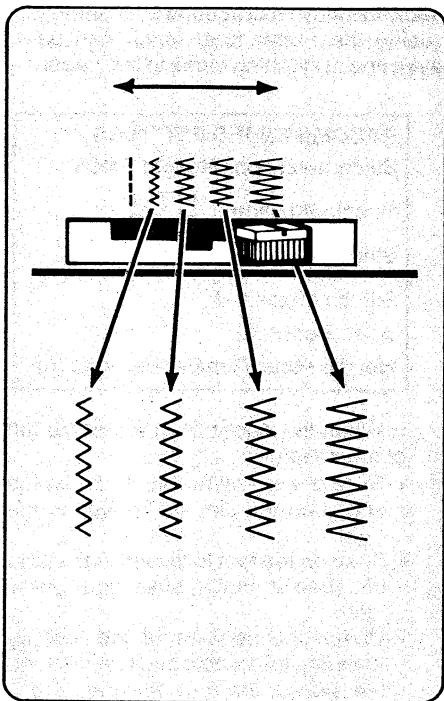
- Slide the adjusting block, (1) which slides on the pin, all the way to the right.
- Snap on the foot to the left side of the pin. (See changing snap-on presser feet.)
- Check the position of the foot by lowering the needle into the notch on the side of the foot, making sure it clears the foot.



When the zipper teeth are to the right of the needle.

- Slide the adjusting block, (1) which slides on the pin, all the way to the left.
- Snap-on the foot to the right side of the pin. (See changing snap-on presser feet.)
- Check the position of the foot by lowering the needle into the notch on the side of the foot, making sure it clears the foot.

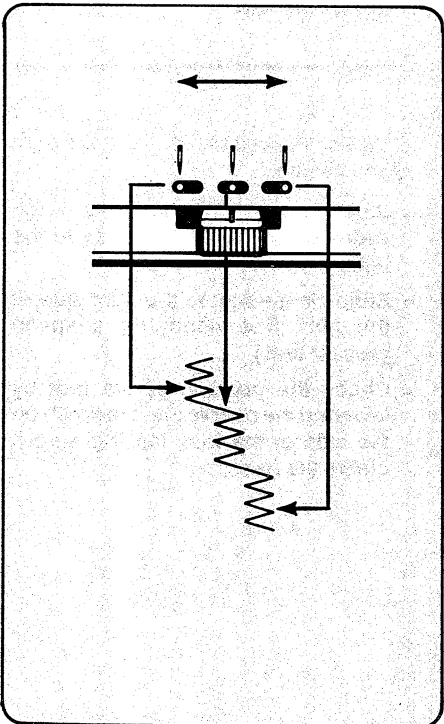
4. ZIG-ZAG STITCHING



STITCH WIDTH SELECTOR

Before moving selector, make sure needle is fully raised.

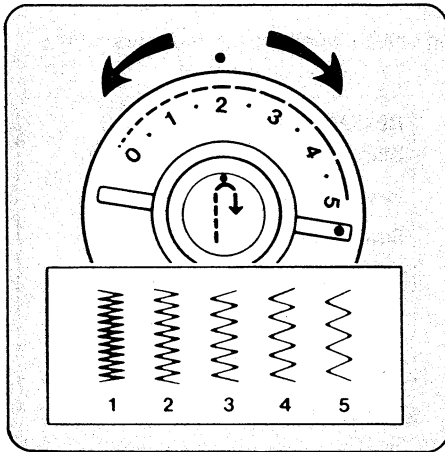
- To produce a zig-zag stitch, the stitch width selector is moved from its straight (|) position to any of its other four positions. The further you move the selector lever toward the right, the wider your stitch will be.



NEEDLE POSITION SELECTOR

Before moving selector, make sure needle is fully raised.

- Most of your zig-zag stitching, will be done in the center (|) needle position.
- Left (|) and right (|) settings are used for special stitch placement.

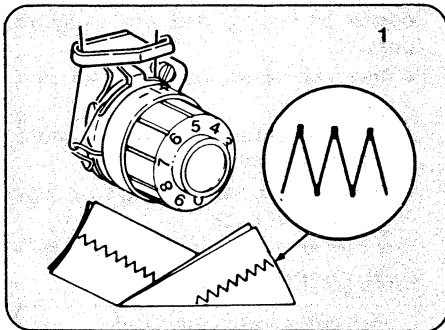


Adjusting stitch length

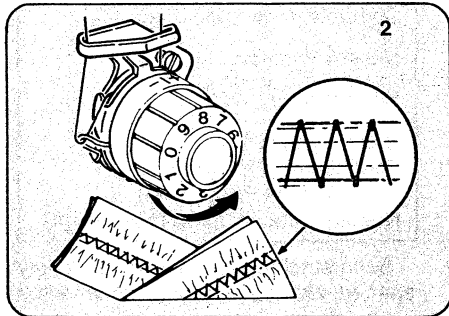
Any stitch length setting from 1 to 5 will give you an open zig-zag stitch.

The higher the number, the more open, or further apart your stitches will be.

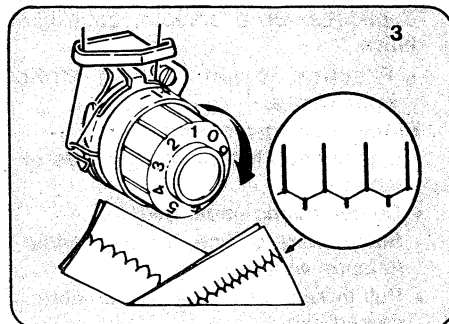
The area between 0 and 1 on the dial is used for satin stitching, a series of closely spaced plain zig-zag stitches that form a smooth satin-like surface.



The tension dial allows you to regulate the needle thread tension. The correct tension setting should produce a smooth even stitch with the top and bottom threads locking at the corners of the zig-zag. The top thread may be visible on the underside of the fabric to varying degrees, depending on the thread, fabric, and size of the stitch being sewn. (1)



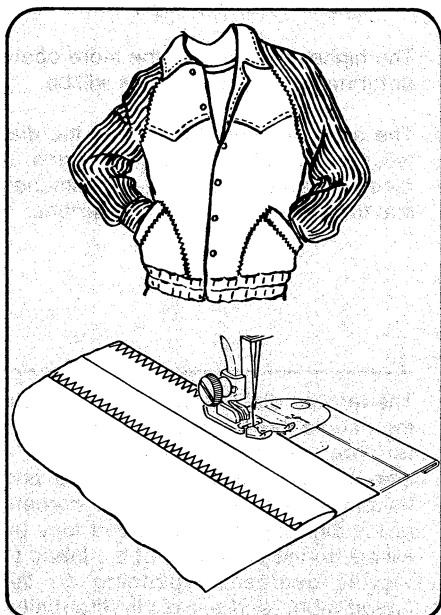
Too much tension will produce a tight stitch causing the fabric to pucker. (2) To reduce puckering turn the tension dial to a lower setting. On some fabrics this may not permit perfect corner locking of the stitch on the underside of the fabric.



Too little tension will cause the stitching to be loose. In severe cases loops will form on the underside of the fabric. Increase tension by turning the dial to a higher setting. (3)

ZIG-ZAG STITCH


The Zig-Zag Stitch can be used when sewing seams, appliqueing, monogramming or decorating.



RECOMMENDED SETTINGS

Stitch Selection: Zig-Zag Stitch

Needle Position: 

Stitch Width: 

Stitch Length: 2-4

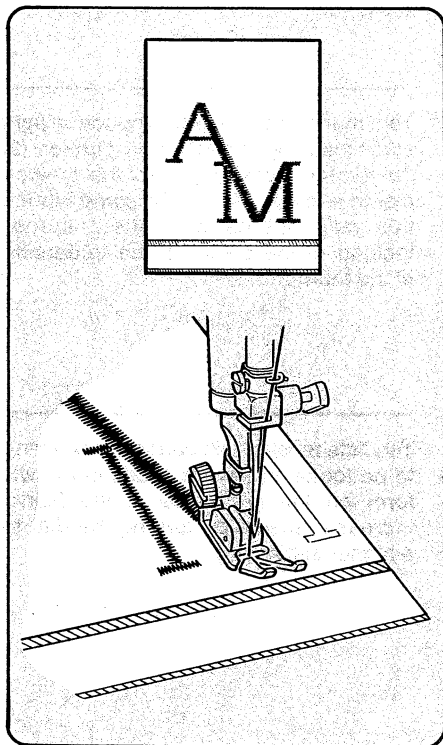
Foot: General Purpose (B)
Special Purpose (J)

Needle Plate: General Purpose (A)

Seam finishing

Use a zig-zag stitch to finish seam edges of fabrics that are likely to unravel.

- Sew seams as desired; trim and press open.
- Place edge of seam allowance under foot, as shown.
- Stitch close to edge, letting outer zig-zag fall over edge.




SATIN STITCHING

RECOMMENDED SETTINGS

Stitch Selection: Zig-Zag Stitch

Needle Position: 

Stitch Width: 

Stitch Length: 0-2

Foot: General Purpose (B)
Special Purpose (J)

Needle Plate: General Purpose (A)

Satin stitching is a series of closely spaced zig-zag stitches. Satin stitch monograms, embroidery and appliques for a smooth, satin-like finish.

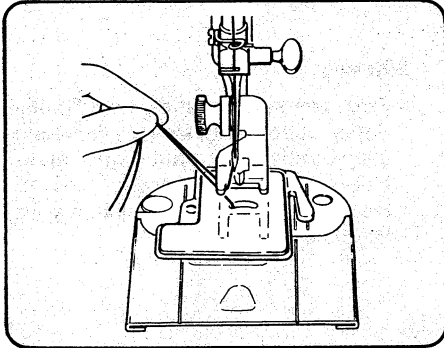
- Practice to get desired stitch appearance.

Block Monogramming

- Lightly trace letters on right side of fabric.
- Center tracing under needle.
- Stitch entire outline, leaving needle in fabric when turning.
- Pull threads to wrong side of fabric, tie and trim.

ATTACHING THE BUTTON

Flat buttons can be sewn on quickly and easily using the plain zigzag stitch. A special button sewing foot (H), may be purchased at your sewing center.



RECOMMENDED SETTINGS

Stitch Selection: Zig-Zag Stitch

Needle Position: 

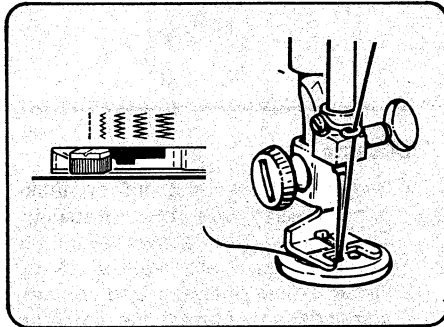
Stitch Width: To suit Button



Foot: Button Sewing (H)

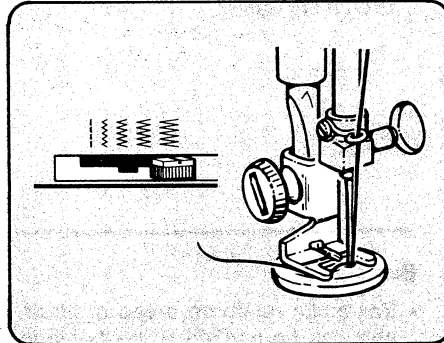
Needle Plate: General Purpose (A)

Attach Feed Cover (F)

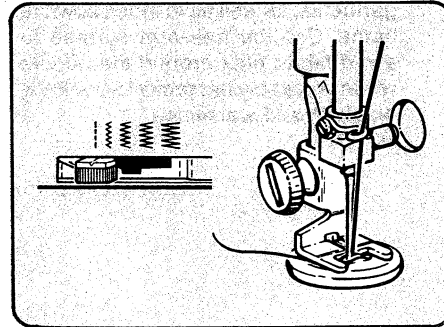
Before you can attach a button, the bobbin thread must be brought up through the hole in the feed cover.

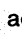


1. Set stitch width at , and needle position selector at . Position button under foot and lower the needle into the center of the left hole. Lower the foot. Turn hand wheel toward you until needle rises out of button and is above the foot.



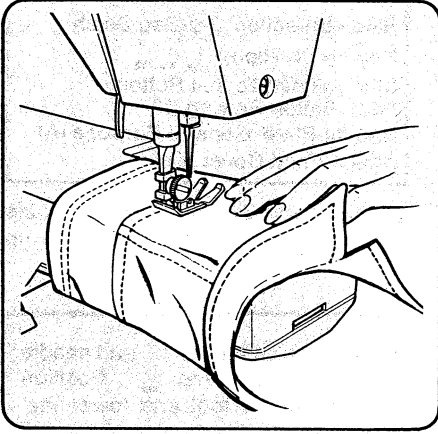
2. Move stitch width selector until needle is over the other hole in the button. Then, when you begin to stitch, the needle should enter into the right hole of the button. Take six or more zig-zag stitches to attach button and finish with the needle on the left side.



3. To fasten stitching, adjust width to , and take three or four stitches. Remove work, draw threads to underside, fasten, and trim.

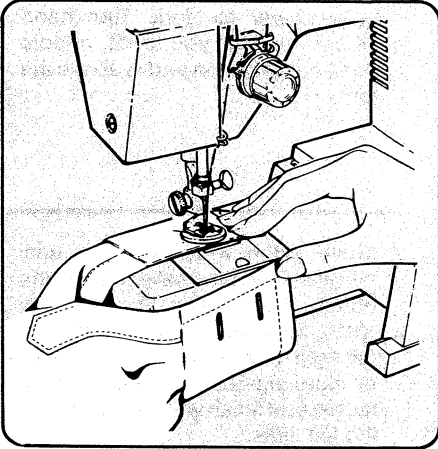
5.FREE-ARM SEWING (6211 ONLY)

Fabric handling, when sewing tubular and hard to reach garment areas, is simplified and made easier when you use the free-arm sewing capability of your sewing machine.



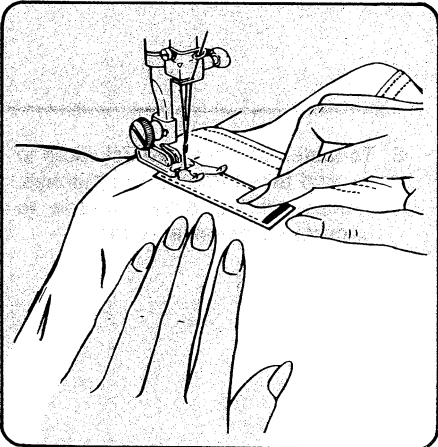
Sleeves

- Free-arm sewing takes the difficulty out of topstitching, sleeves, finishing waistbands and pant legs rotate smoothly under the needle, around the arm, allowing you to place your stitching accurately.



Buttons

- Sewing buttons on a cuff or neckband is easy with free-arm sewing. The sewing arm allows room for cuffs to slip onto without being stretched out of shape, and you can also see and handle the stitching area more easily.

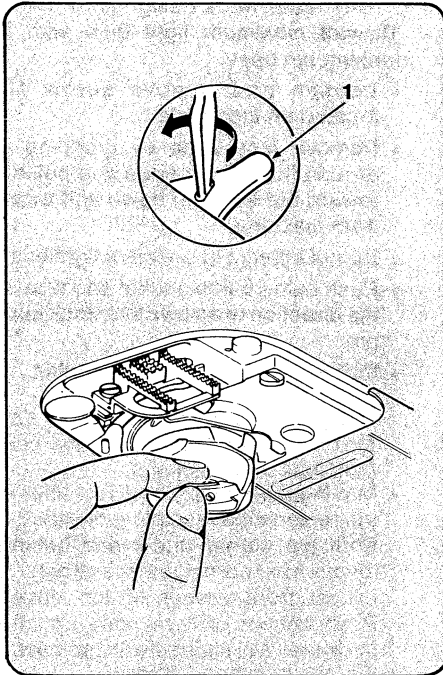


Bar Tacks

- Bar tacks reinforce areas of strain and can be applied to ready-made garments, as well as to those sewn at home. Use the free-arm surface to avoid fabric bulk around the needle when you apply bar tacks to pockets, plackets and waistlines.

6. CARING FOR YOUR MACHINE

REMOVING AND REPLACING BOBBIN CASE

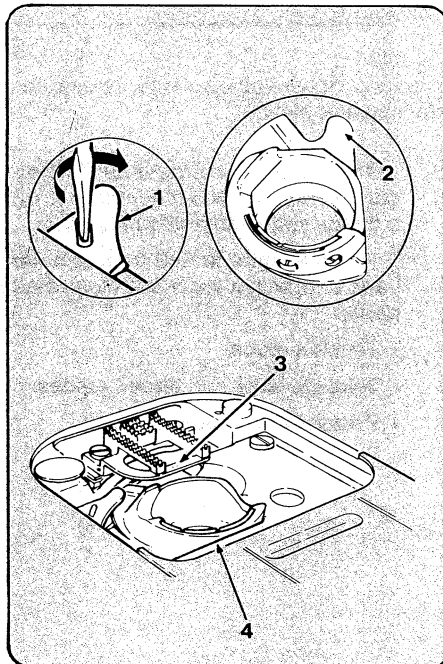


Caution: Before cleaning or adjusting the machine, remove plug from the socket outlet.

- Raise presser foot and needle.
- Open slide plate, remove bobbin and remove needle plate (see instruction on page 8).

To remove bobbin case

- With a small screwdriver, turn bobbin case holder (1) to the rear as far as it will go.
- Lifting the left side of the bobbin case, slide it out from machine.



To replace bobbin case

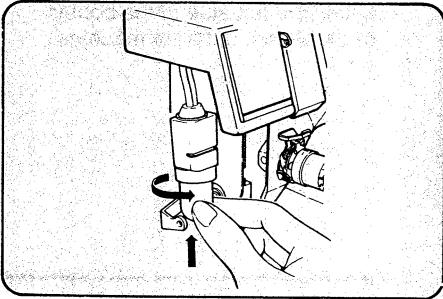
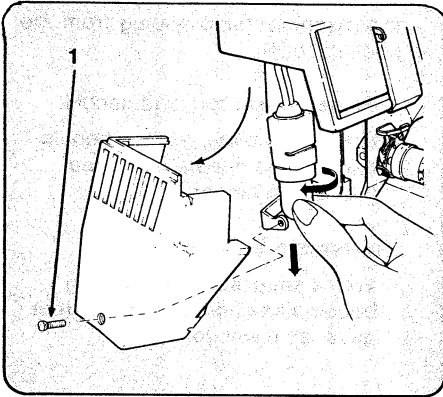
- Guide forked end (2) of bobbin case under feed (3).
- Draw rim of bobbin case under position plate (4). Be sure bobbin case is freely seated on hook race.
- Turn bobbin case holder (1) forward as far as it will go, locking bobbin case in place.

Note: Turn handwheel towards you to check to make sure it is properly replaced.

- Replace needle plate (see instruction on page 8).
- Insert bobbin and close slide plate.

CHANGING THE LIGHT BULB

Caution: Before changing light bulb, make sure you have removed plug from socket outlet and remove face plate which covers the light bulb. Be sure to replace the face plate which covers the light bulb before operating the machine.

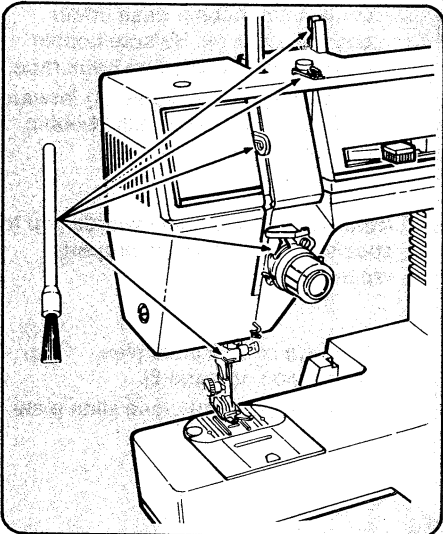


This machine is designed to use a 15-watt maximum light bulb with a locking pin base.

- Loosen and remove screw (1) located on face plate.
- Remove face plate by grasping it around the bottom edge and pulling toward the left, then down and away from machine.
- Do not attempt to unscrew light bulb.
- Push bulb up into socket and turn in the direction of arrows to unlock bulb pin.
- Pull bulb down and out of socket.
- Push new bulb up into socket and turn in the direction of arrows until pins lock into position.
- Making sure the presser foot lifter is up, replace the face plate by guiding front top corner under and behind lowest front corner under and behind lowest front corner of top cover. Push bottom of face plate up and back until it is aligned with top cover.
- Insert screw and tighten.

CLEANING THE MACHINE

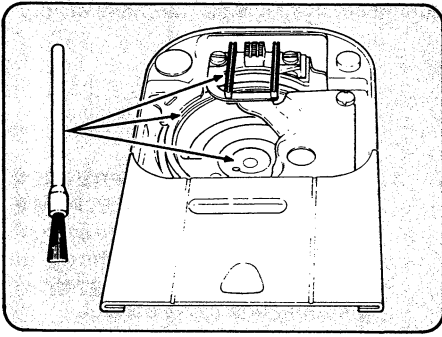
Your machine is designed to give you many years of dependable service. To ensure this reliability, take a few minutes to keep the machine clean.



The machine surfaces and covers can be cleaned when necessary, with a damp, soft cloth and a mild soap.

Remove lint and fluff from exposed parts and; with a lint brush, clean these parts:

- Tension discs.
- Take-up lever and thread guides.
- Presser and needle bars.

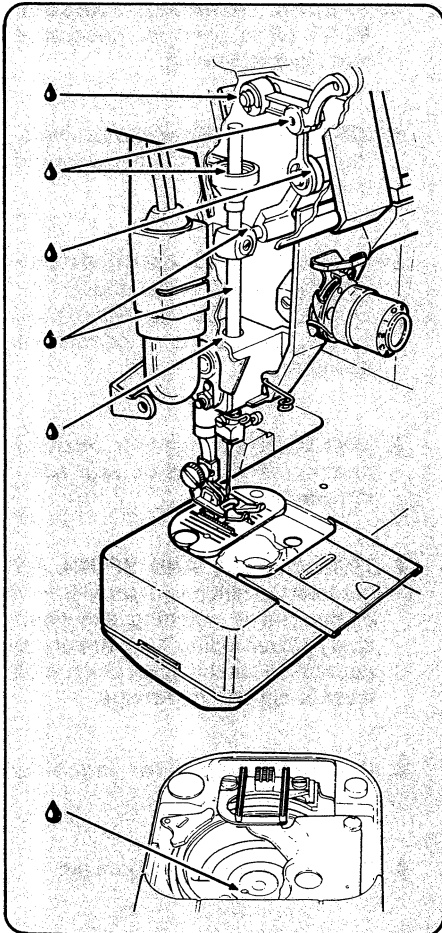


- Bobbin case and needle plate areas.

Your machine should be periodically checked by your local sewing center or an authorized Singer dealer for wear.

LUBRICATING THE MACHINE

How often you need to lubricate the machine depends on how often you use it and where you keep it. The following general guidelines assume that you will be sewing several times a week. But if you use your machine more frequently, lubricate it more often than the guidelines suggest.



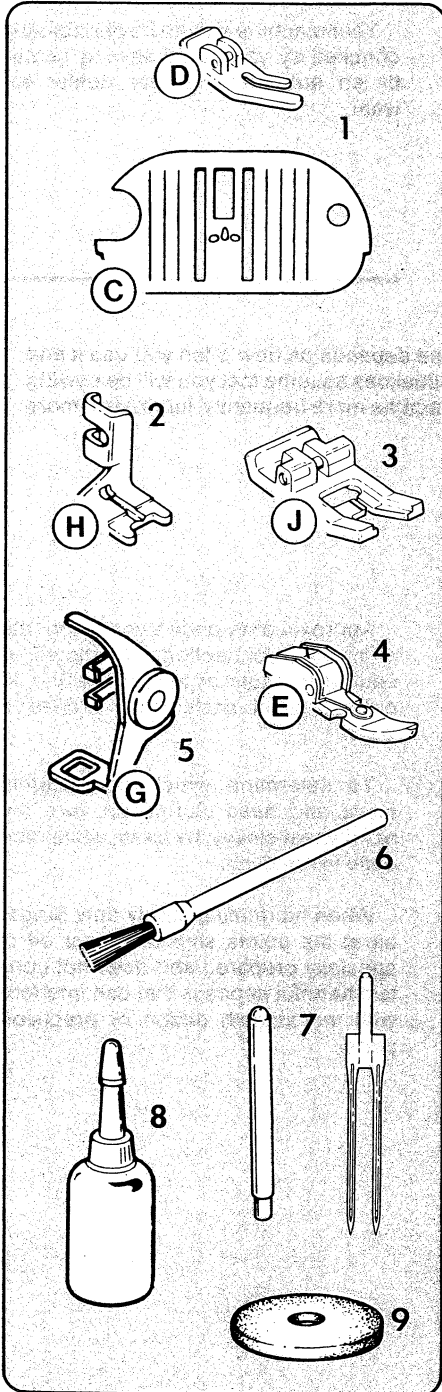
Approximately once a year, lubricate all moving connections, as shown, to ensure freedom of movement and to protect metal parts from excessive wear.

To determine which connections move and need lubrication, turn the handwheel slowly, by hand, while face plate is removed.

When lubricating, apply only Singer oil at the points shown. Singer oil is specially prepared and does not contain harmful deposits that can interfere with the smooth action of precision parts.

ADDITIONAL ACCESSORIES

Additional Accessories for your sewing machine are available for purchase at your sewing center.



1. STRAIGHT STITCH PRESSER FOOT (D) AND NEEDLE PLATE (C) are used together when straight stitching lightweight fabrics or when your fabric or sewing procedure requires close control.

2. BUTTON SEWING FOOT (H) is used to hold any two-hole or four-hole button securely for stitching.

3. SPECIAL PURPOSE PRESSER FOOT (J) is used for decorative and zig-zag sewing.

4. ZIPPER FOOT (E) is used for inserting zippers and stitching corded seams.

5. DARNING AND EMBROIDERY FOOT (G) is recommended for free motion work, such as embroidery, monogramming and decorative designs.

6. LINT BRUSH is used for cleaning hard to reach areas on your sewing machine.

7. TWIN NEEDLE AND SPOOL PIN are used to stitch two parallel rows of decorative stitching simultaneously. When using twin-needle for decorative stitching, set stitch width lever to zig-zag mid range.

8. OIL CONTAINER for machine lubrication.

9. FELT for twin needle spool pin.

PERFORMANCE CHECKLIST

When sewing difficulties occur, look back through this manual to make sure you are correctly following the instructions. If you still have a problem, the reminders below may help you to correct it.

Needle Does Not Move

Is machine connected to electrical supply?

Is the power and light switch on?

Is controller connected?

Is bobbin winder engaged?

Needle Moves But Stitch Is Not Formed

Is needle defective?

Is needle fully inserted into needle clamp?

Are bobbin and needle correctly threaded?

Is bobbin correctly inserted into bobbin case?

Needle Breaks

Is needle straight and sharp?

Is needle correct size?

Is needle fully inserted into needle clamp?

Are controls properly set?

Are accessories correct for application?

Bobbin Winding Difficulties

Is thread unwinding freely from spool?

Is bobbin winder engaged?

Is thread end securely held at start of wind?

Is thread hanging up on the slit on the thread spool?

Upper Thread Breaks

Is machine properly threaded?

Is thread freely unwinding from spool?

Is proper spool cap being used?

Is needle correct size for thread?

Is upper thread tension too tight?

Is bobbin case properly inserted?

Is bobbin rim free of nicks?

Lower Thread Breaks

Is bobbin correctly wound?

Is bobbin correctly inserted into bobbin case?

Is bobbin case correctly threaded?

Is thread hanging up on the slit on the thread spool?

Skipped Stitches

Is machine properly threaded?

Is fabric firmly held down?

Is needle correct style and size?

Is needle straight and sharp?

Fabric Does Not Move Properly Under Presser Foot

Is presser foot correctly attached to machine?

Is presser foot lowered?

Is stitch length correctly set?

INDEX

Accessories	4	Straight Stitch,	28
Additional Accessories	28	Needle Position Selector	20
Basting	16	Operating the Machine	6
Bobbin	4	Performance Checklist	29
Winding	10	Power and Light Switch	2,3,6
Inserting	11	Presser Feet	4,28
Bobbin Case	25	Changing	7
Removing	25	General Purpose	4
Cleaning	26	Special Purpose	28
Bobbin Thread, Raising	13	Straight Stitch	28
Button Sewing Foot	23,28	Presser Foot Lifter	2,3,16
Caring for the Machine	25	Presser Foot, Changing	
Cleaning the Machine	26	Screw-On	7
Connecting the Machine	6	Principal Parts	2,3
Controller, Speed	2,3,6	Reverse Stitching	17
Electrical Power Cord	2,3,6	Safeguards, Important	5
Extension Table	2,3,8	Seams, Sewing	16
Fabric, Thread & Needle Table ...	9	Keeping Straight	16
Face Plate, Removing	26	Starting	17
Feed Cover	4	Guiding & Supporting Fabric ...	17
Attaching,	8	Slide Plate	2,3
Feed System	2,3	Spool Cap	4
Free-Arm Sewing	24	Stitch Width Selector	14,20
General Purpose Needle Plate ...	4	Stitch Length Selector	14,20
General Purpose Presser Foot ...	4	Straight Stitching	14
Handwheel	2,3,10	Darning	18
Length, Adjusting Stitch	14,21	Quilting	18
Light Bulb, Replacing	26	Zig-Zag Stitching	20
Lint Brush	28	Seam Finishing	22
Monogramming	22	Satin Stitching	22
Needles	4	Monogramming	22
Choosing and Changing	6	Tension, Thread	2,3,15
Twin Needle	28	Thread Cutter	2,3
Needle Clamp	2,3,6	Threading the Machine	12
Needle Plate	4	Zipper, Inserting a	19
Changing,	8	Zipper Foot	28

