

X5004-HD

(2 . 3 . 4 THREAD HEAVY DUTY OVERLOCK MACHINE)
(2 . 3 . 4 MAQUINA SOBREORILLADORA HEAVY DUTV)
(SURJETEUSE 2 . 3 . 4 FILS HEAVY DUTV)

Instruction Manual Manual de Instrucciones Brochure D'instructions



SINGER®

X5004-HD (2 . 3 . 4 THREAD HEAVY DUTY OVERLOCK MACHINE)

Instruction Manual

X5004-HD


PREFACE

Thank you for your purchase of this overlock machine. This machine intended for household use, will provide you with excellent performance in sewing from light to heavy fabric (lawn to denim). Please refer to this booklet for proper use and optimum service. To get the most out of your overlock machine, read the entire operator's guide before attempting to operate the machine. Then familiarize yourself with the machine by following the operator's guide page by page.

To ensure that you are always provided with the most modern overlock capabilities, the manufacturer reserves the right to change the appearance, design or accessories of this overlock machine when considered necessary without notification or obligation.

For European Territories:

This **SINGER Overlock Machine** was tested according to European norms and meets the requirements regarding electrical safety radio interference and electromagnetic immunity.

The conformity is documented with the  mark.

IMPORTANT SAFETY INSTRUCTIONS



- * If the supply cord is damaged, it must be replaced by the manufacturer or its service agent or a similarly qualified person in order to avoid a hazard.
- * Switch off or unplug the machine when leaving it unattended.
- * Before servicing the appliance, unplug the machine.
- * If the light is damaged, it must be replaced by authorized dealer.

Correct Disposal of this product



This marking indicates that this product should not be disposed with other household wastes throughout the European Union. To prevent possible harm to the environment or human health from uncontrolled waste disposal, recycle it responsibly to promote the sustainable reuse of material resources. To return your used device, please use the return and collection systems or contact the retailer where the product was purchased.

They can take this product for environmental safe recycling.

CE - Authorised Representative

VSM Group AB, **SVP Worldwide**

Drottningatan 2, SE-56184, Huskvarna, SWEDEN

® **SINGER** is a exclusive trademark of The **SINGER** Company Limited S.à r.l. or its Affiliates.
©2020 The **SINGER** Company Limited S.à r.l. or its Affiliates. All rights reserved

IMPORTANT SAFETY INSTRUCTIONS

When using this machine, basic safety precautions should always be followed including the following.

Read all instructions before using the machine.



DANGER - To reduce the risk of electric shock:

- The machine should never be left unattended when plugged in. Always unplug the machine from the electric outlet immediately after using and before cleaning.



WARNING - To reduce the risk of burns, fire, electric shock or injury to persons:

- Be sure that the electrical voltage of the electric outlet (wall receptacle) is the same as the rated voltage of the motor.
- Use this machine only for its intended use as described in this Instruction Manual. Use only attachments recommended by the manufacturer as contained in the Instruction Manual.
- To disconnect, turn all controls to the off ("0") position, then remove plug from outlet.
- Disconnect the power line plug from the socket outlet or switch the machine off when making any adjustments in the needle area, such as threading needle and loopers, changing needle, changing throat plate or changing presser foot, etc.
- Always unplug the machine from the electrical outlet when removing covers, lubricating, or when making any other user servicing adjustments mentioned in the Instruction Manual.
- Do not attempt to adjust the motor belt. Contact your nearest Service Center should any adjustment be required.
- Do not unplug by pulling on cord. To unplug, grasp the plug, not the cord.
- Handle the foot controller with care and avoid dropping it on the floor. Be sure not to place anything on top of it.
- Always use the proper throat plate. The wrong plate can cause the needle to break.
- Do not use bent needles.
- When sewing, keep fingers away from all moving parts. Special care is required around the sewing machine needle.
- Do not pull or push fabric while stitching. It may deflect the needle causing it to break.
- Use only the handle to lift and move the machine.
- Never operate the machine if it has a damaged cord or plug, if it is not working properly, if it has been dropped or damaged, or dropped into the water. Return the machine to the nearest authorized dealer or Service Center for examination, repair, electrical, or mechanical adjustment.
- Never operate the machine with any air openings blocked. Keep ventilation openings of the machine and foot controller free from the accumulation of lint, dust and loose cloth.
- Never drop or insert any object into any opening.

- Do not use outdoors.
- Do not operate where aerosol (spray) products are being used or where oxygen is being administered.
- Do not allow to be used as a toy. Close attention is necessary when the machine is used by or near children.
- Do not expose the machine or machine plastic case to sunlight directly. Also, do not keep it in a very warm or damp place.
- Do not touch the machine, foot controller and power line cord with wet hand, wet cloth or with anything wet.
- Do not connect power line cord to one of the many cords connected to one power outlet with adapters.
- Use machine on flat and stable table.
- Be sure to close the cylinder cover and looper cover before operating the machine.
- Keep presser foot and needles away from children's reach.
- Do not dismantle or modify the machine yourself.
- Be sure to turn off the power switch and disconnect the power line plug before caring for your machine as instructed in the operator's guide.

This appliance can be used by children aged from 8 years and above and persons with reduced physical, sensory or mental capabilities or lack of experience and knowledge if they have been given supervision or instruction concerning use of the appliance in a safe way and understand the hazards involved. Children shall not play with the appliance. Cleaning and user maintenance shall not be made by children without supervision.

The machine must only be used with foot control of type GTC/HKT 72C (for 220-240V), GTE/HKT 7 (for 100-120V) manufactured by DANYANG GUOTI MOTOR & APPLIANCE CO., LTD/ZHEJIANG HUAXING ELECTRIC MOTOR CO.,LTD.

SAVE THESE INSTRUCTIONS

Servicing should be performed by an authorized service representative.

This product is not intended for industrial use.

FOR EUROPEAN AND SIMILAR TERRITORIES:

Machines for Great Britain and some other countries having similar wiring standards are shipped from the factory without a plug for connection to the mains. The wires in this mains lead are colored in accordance with the following code.

Blue: neutral (N) Brown: live (L)

As the colors of the wires in the mains lead of this appliance may not correspond with the colored markings identifying the terminals in your plug, proceed as follows:

The wire which is colored blue must be connected to the terminal which is marked with the letter N or colored black. The wire which is colored brown must be connected to the terminal which is marked with letter L or colored red. If a 13 Amp. (BS 1363) plug is used, a 3 Amp. fuse must be fitted, or if any other type of plug is used, a 5 Amp. fuse must be fitted either in the plug or adaptor or at the distribution board.

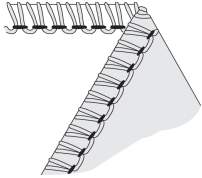
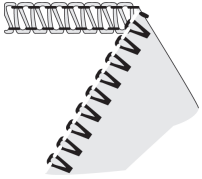
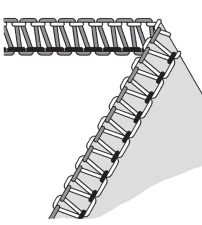
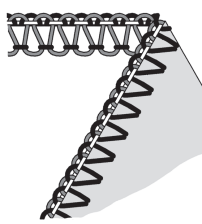
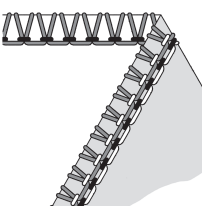
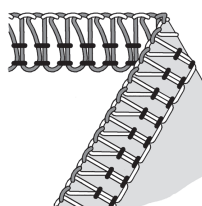
Neither cord is to be connected to the earth terminal of a three-pin plug.

CONTENTS

	Page		Page
1. Selection of Stitches.....	5	22. Starting and Ending Seams	30
2. Handy Reference Chart	6	• To Start a Seam	30
3. Accessories	7	• To End a Seam	30
4. Needle Information	7	23. Suggested Tension Setting.....	31
5. Principal Parts	8	1) 2-thread wrapped edge overlock	31
6. How to Open Looper Cover	9	2) 2-thread standard rolled hem stitching	32
7. Principal Parts Behind Looper Cover	9	3) 3-Thread Overlock.....	33
8. Preparation Prior to Sewing	9	4) 3-Thread Flatlock	34
9. Preparation for Threading.....	10	5) 3-Thread Wrapped Edge Overlock.....	35
• Setting up the thread guide holder	10	6) 4-Thread Ultra Stretch Mock Safety Stitch ...	36
10. How to Remove and Insert Needles	11	24. How to Sew a Rolled Hem	37
• To remove needle(s)	11	1) a.2-thread wrapped edge overlock	38
• To insert needle(s)	11	b.2-thread standard rolled hem stitching	38
11. Threading the Machine.....	12	2) a.3-thread standard rolled hem stitching	39
• Threading diagram	12	• b.3-thread upper looper thread wrapped	
• Understanding the color code	12	• rolled hem stitching	39
• To thread the machine correctly.....	12	25. •Stitch Variations and Sewing Techniques	41
1) Threading the upper looper (Orange)	12	• How to sew a flatlock decorative seam	41
2) Threading the lower looper (Yellow)	14	• How to sew an overlock blind hem	43
3) Threading the right needle (Green)	16	• How to sew pin tucks	43
4) Threading the left needle (Blue).....	18	• Turning square corners	44
• Important threading information.....	19	• Pin placement	45
12. How to Change Threads / Tie on Method.....	20	Securing the thread chain	45
13. How to Adjust the Stitch Length.....	21	• How to reinforce a seam	46
14. How to Adjust the Seam Width	21	• Braiding by chaining off	46
• Width adjustment by changing needle position ...	21	26. •Machine Maintenance.....	47
• Width adjustment with adjustment knob	21	Cleaning the machine.....	47
15. How to Adjust the Presser Foot Pressure.....	22	Oiling the machine	47
16. Differential Feed	23	How to replace the stationary knife	48
• Gathered overedge.....	23	27. Troubleshooting Chart.....	49
• Stretch overedge.....	24	28. Relationship between Cloth, Thread and Needle... 50	
17. How to Disengage Movable Upper Knife	25	29. Specification	51
18. Converting the upper looper into spreader	26		
19. Free Arm Sewing (Tubular Work)	27		
20. Standard Overedge and Rolled Hem Stitching ... 28			
• To sew standard overedge	28		
• To sew rolled hem	28		
21. Chaining Off and Test Sewing	29		

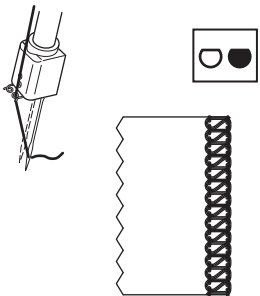
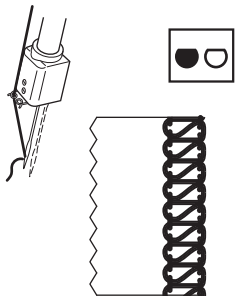
1. SELECTION OF STITCHES

This machine is capable of producing various types of stitches according to the combination of needle positions, threading methods, tension adjustment.


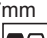









Stitch Type			Reference Pages
1. Two-thread wrapped edge overlock	 <p style="text-align: right;">(502)</p>	1-needle 2-thread stitch is used for light weight or knits fabrics. Also, a 3.5mm and 5.7mm wrapped overlock seam width can be obtained by changing the needle position.*	31
2. Two-thread standard rolled hem stitching	 <p style="text-align: right;">(503)</p>	1-needle 2-thread stitch is used for overedge seaming, blindstich hemming on edge finishing operations. Also, a 3.5mm and 5.7mm standard rolled hem seam width can be obtained by changing the needle position.*	32
3. Three-thread Overlock	 <p style="text-align: right;">(504)</p>	1-needle 3-thread stitch is used for overedging and seaming on common fabrics. Also, a 3.5mm and 5.7mm overlock seam width can be obtained by changing the needle position.*	33
4. Three-thread Flatlock	 <p style="text-align: right;">(505)</p>	1-needle 3-thread stitch is used for butted or lapped seams and ornamental stitching with decorative thread. Also, a 3.5mm and 5.7mm flatlock width can be obtained by changing the needle position.*	34
5. Three-thread Wrapped Edge Overlock		1-needle 3-thread stitch is used for sewing narrow rolled hems or ornamental edges. Also, a 3.5mm and 5.7mm wrapped overlock seam width can be obtained by changing the needle position.*	35
6. Four-thread Stretch Mock Safety Stitch	 <p style="text-align: right;">(514)</p>	2-needle 4-thread stitch which is ideal for medium to heavy weight stretchy fabrics such as double knits and swim wear.	36

* Depending on the needle positions used, this machine can sew 3-thread standard width 3.5mm overedge and a 5.7mm wide overedge seams.

Also, for overedging heavyweight fabrics, the seam width can be increased still more by turning the overedge seam width adjustment knob. (See page 21)

Overedge width	3.5mm	5.7mm
Needle used	Overedge right needle	Overedge left needle
Needle thread tension dial	Green	Blue
		

2. HANDY REFERENCE CHART

Stitch Type		Needle Positions	Tension Dial: Numbers shown are average settings on medium weight fabric with standard #80 polyester spun thread					Page
			Blue	Green	Orange	Yellow	Upper looper or spreader	
1	Two-Thread Wrapped Edge Overlock	3.5mm 		4.0		2.0	Spreader	31
	(502)	5.7mm 	3.5		1.0	Spreader		
2	Two-Thread Standard Rolled Hem Stitching	3.5mm 		0.5		6.0	Spreader	32
	(503)	5.7mm 	0.5		5.0	Spreader		
3	Three-Thread Overlock	3.5mm 		3.0	3.0	3.0	Upper looper	33
	(504)	5.7mm 	3.0		3.0	3.0	Upper looper	
4	Three-Thread Flatlock	3.5mm 		0.5	5.0	7.0	Upper looper	34
	(505)	5.7mm 	0.5		5.0	7.0	Upper looper	
5	Three-Thread Wrapped Edge Overlock	3.5mm 		3.0	1.0	7.0	Upper looper	35
		5.7mm 	5.0		0	8.5	Upper looper	
6	Four-Thread Ultra-Stretch Mock Safety Stitch		3.0	3.0	3.0	3.0	Upper looper	36
	(514)							

The thread tension becomes tighter as the dials are turned to higher numbers. The tension settings shown on this page as well as throughout the instruction manual are suggested guides. Adjust thread tensions to suit the fabric and size of thread used. For best results make tension adjustments in small increments of no greater than half a number at a time.

3. ACCESSORIES

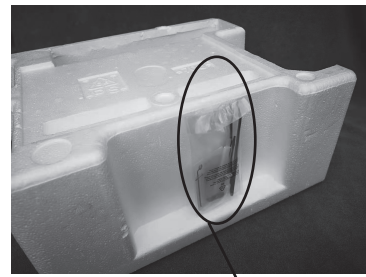
Accessories are contained in the carton on Styrofoam.

	X5004-HD
1 Needle set	1
2 Screw driver (small size)	1
3 Tweezers	1
4 Spreader	1
5 Lint brush with hole for mounting needle	1
6 spare lower knife	1
7 Scrap bag(in the carton)	1

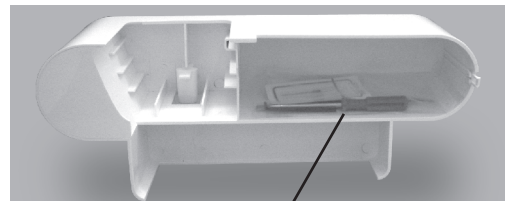
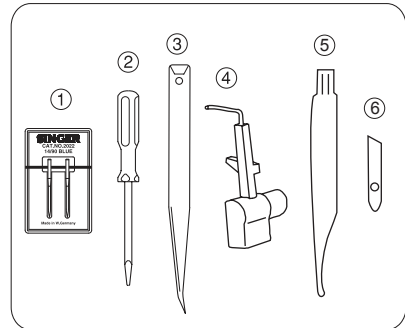
You can store these accessories in the accessory tray in the cloth plate after you open the carton.

4. NEEDLE INFORMATION

- SINGER needles #2022 size 100/16 (mounted on the machine) and size 90/14 (in the accessory case) are furnished with the machine.
- SINGER needles #2022 size 100/16 are intended to be used with heavy weight fabrics. It is recommended to change the needles size to work on lighter weight fabrics. Please go on page 50 to find more information on the relationship between cloth, thread and needle.
- In an emergency, standard Singer needle #2020 may be used.
However, unless the suggested tension setting is readjusted, skipping of the stitches may occur.



accessories

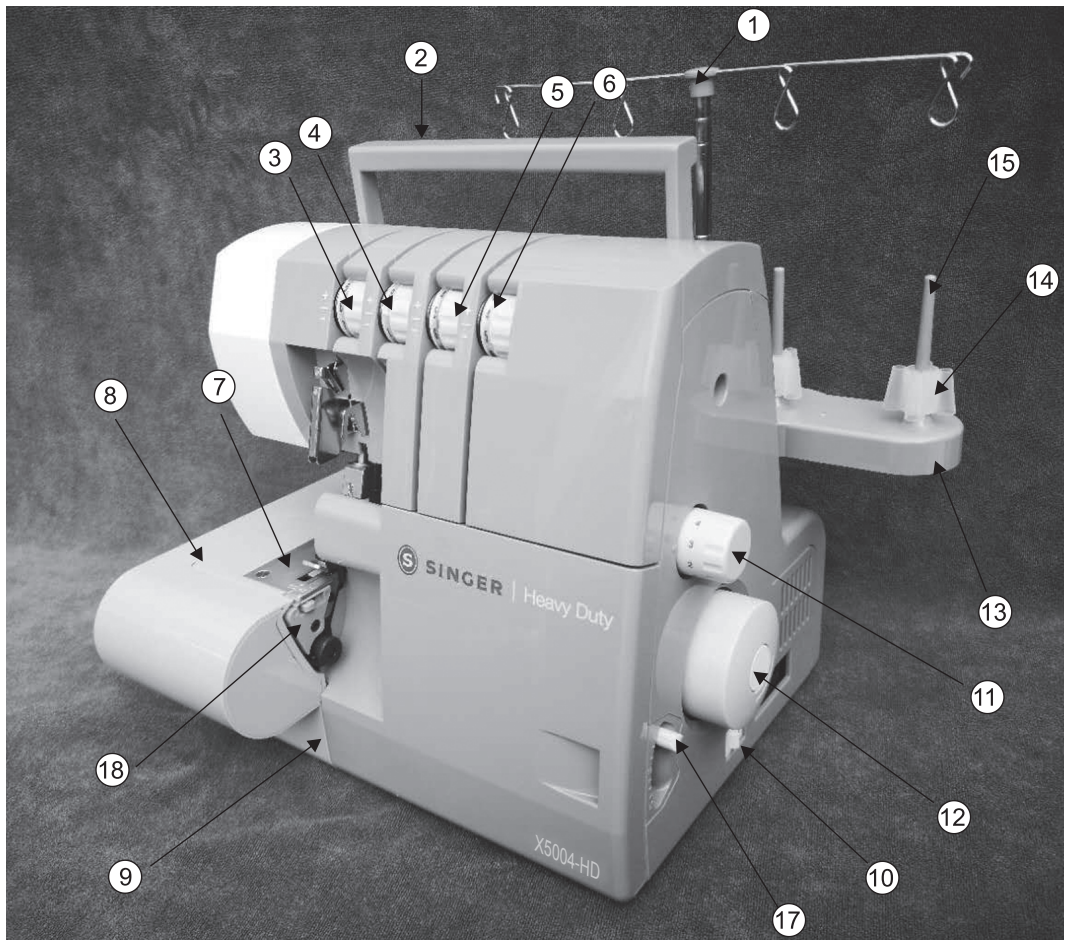
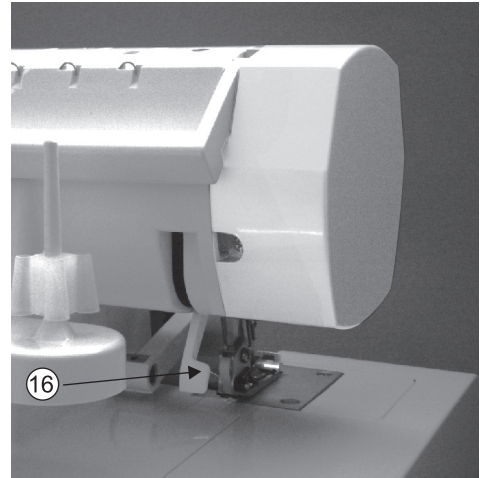


store accessories

	Singer needle #2022
Sizes available	80/11 90/14 100/16

5. PRINCIPAL PARTS

- 1 Thread guides and holder
- 2 Handle
- 3 Left needle thread tension dial (blue)
- 4 Right needle thread tension dial (green)
- 5 Upper looper thread tension dial (orange)
- 6 Lower looper thread tension dial (yellow)
- 7 Throat plate
- 8 Cloth plate
- 9 Looper cover
- 10 Power & light switch
- 11 Stitch length dial
- 12 Hand wheel
- 13 Spool stand
- 14 Spool holder
- 15 Spool pin
- 16 Presser bar lifter
- 17 Differential feed adjusting lever knob
- 18 Seam width finger support plate



6. HOW TO OPEN LOOPER COVER

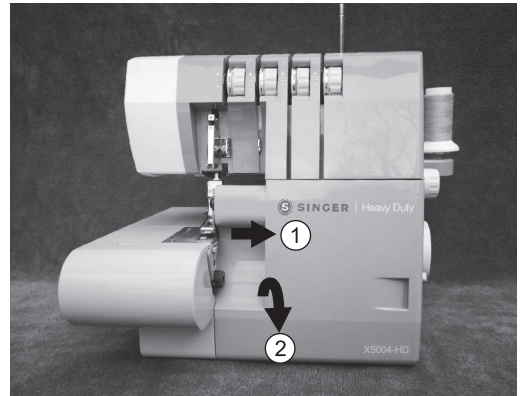


Caution:
Be sure to turn off power switch.

- Push the cover to the right as far as it will go 1.
- Pull cover down toward you 2.

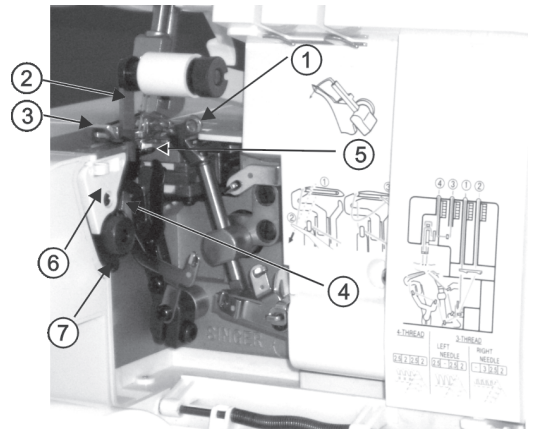


Caution:
Be sure looper cover is closed when sewing.



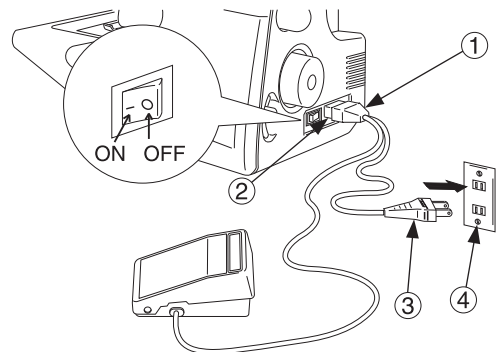
7. PRINCIPAL PARTS BEHIND LOOPER COVER

- 1 Upper looper
- 2 movable upper knife
- 3 Presser foot
- 4 Stationary lower knife
- 5 Lower looper
- 6 Seam width finger knob
- 7 Seam width adjustment knob



8. PREPARATION PRIOR TO SEWING

- Connect the controller / electric plug 1 to the machine receptacle 2.
- Plug power line 3 into electric outlet 4.
- Power Switch: Push “-” mark side to turn “ON”.
Push “O” mark side to turn “OFF”.
- To run the machine and control the speed, press the controller.
- The harder you press, the faster the machine will sew.
- To stop the machine from sewing, remove your foot from the controller.



WARNING:

Use only foot controller provided with this machine.(YC-482 for U.S.A. & CANADA only)
Be sure to make reference to “Warning” on following page.

POLARIZED PLUG INFORMATION (FOR U.S.A. & CANADA ONLY)

This appliance has a polarized plug (one blade wider than the other). To reduce the risk of electric shock, this plug is intended to fit in a polarized outlet only one way. If the plug does not fit fully in the outlet, reverse the plug. If it still does not fit, contact a qualified electrician to install the proper outlet. Do not modify the plug in any way.



Warning:

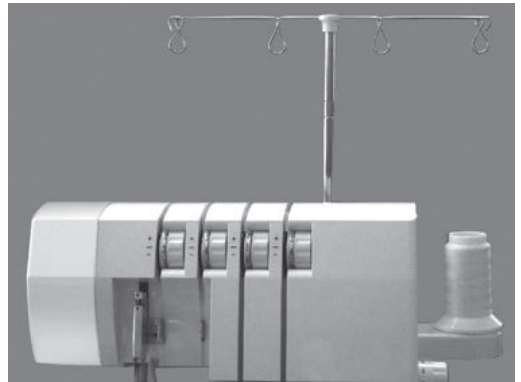
- * Be sure that the electrical voltage of the electric outlet (wall receptacle) is the same as the rated voltage of the motor.
- * Handle the foot controller with care and avoid dropping it on the floor. Be sure not to place anything on top of it when not in use.
- * Disconnect the power line plug from the electric outlet when changing needles, presser feet or throat plates, or when leaving the machine unattended. This eliminates the possibility of starting the machine by accidentally pressing the controller.

9. PREPARATION FOR THREADING

Setting Up the Thread Guide Holder

- This machine is shipped with the thread guide holder in the lowered position.
- Fully extend the thread guide holder.
- The two joints on the telescope will click into place when they are correctly positioned.
- Center the thread guides above the spool pins.
- Place thread over the cone adapters on the spool pins.

Note: If the machine is threaded, straighten the threads to prevent tangling.



10. HOW TO REMOVE AND INSERT NEEDLES

To Remove Needle(S)



Caution:
Be sure to disconnect the machine from the electric outlet before removing needle(s).

- Turn the hand wheel toward you until the needle is at its highest position.

- Loosen, but do not remove the needle set screw with the small screwdriver.

- 1 Left needle set screw
- 2 Right needle set screw
- 3 Left needle
- 4 Right needle

- Remove the needle(s).

To Insert Needle(s)

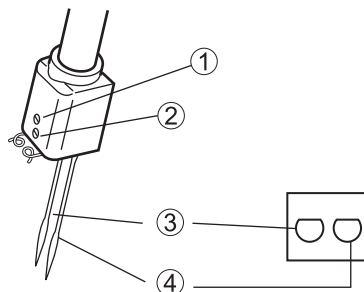
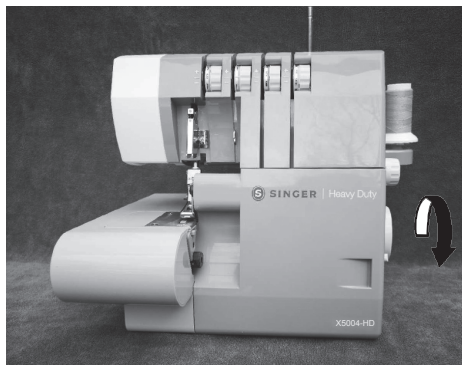
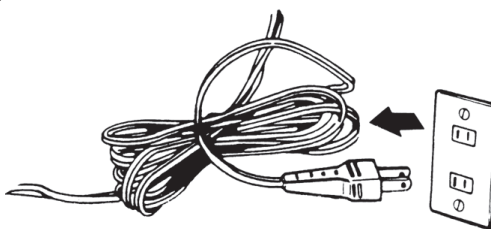


Caution:
Be sure to disconnect the machine from the electric outlet before replacing needle(s).

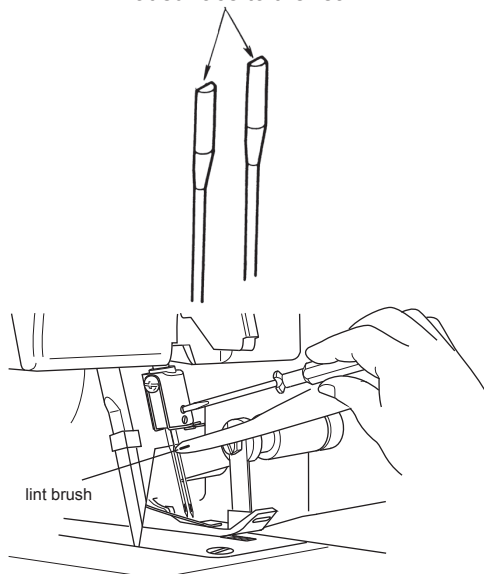
- Hold the needle with the flat surface to the back.
- Insert the needle into the needle clamp as far as it will go with help of lint brush.
- Securely tighten the needle set screw.

Note: * This machine uses #2022 needles. Refer to page 7 for additional needle information.

- * Remove the cloth plate if you find it difficult to remove and replace the needle.



Flat surface to the rear



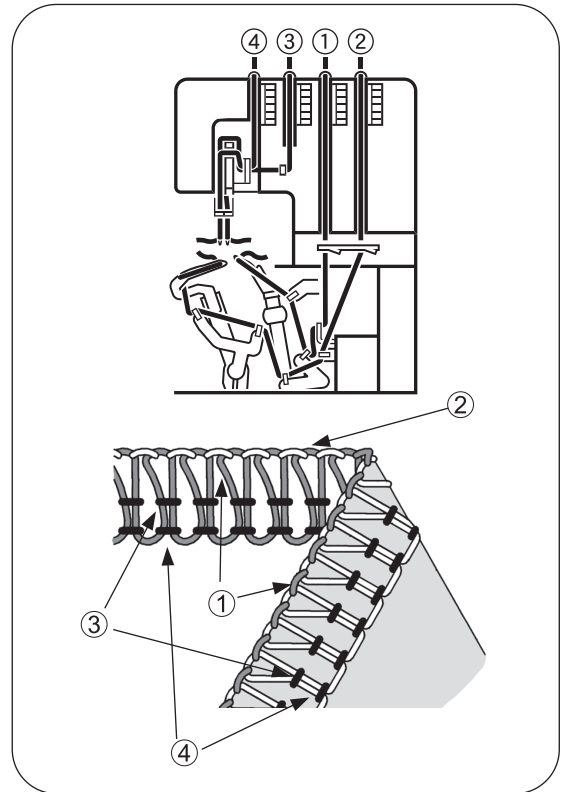
11. THREADING THE MACHINE

Threading Diagram

- A color coded threading diagram is located inside the looper cover for quick reference.
- Thread the machine in the order 1 to 4 as shown.

Understanding the Color Code

1. Upper looper thread..... Orange
2. Lower looper thread..... Yellow
3. Right needle thread..... Green
4. Left needle thread..... Blue



To Thread the Machine Correctly

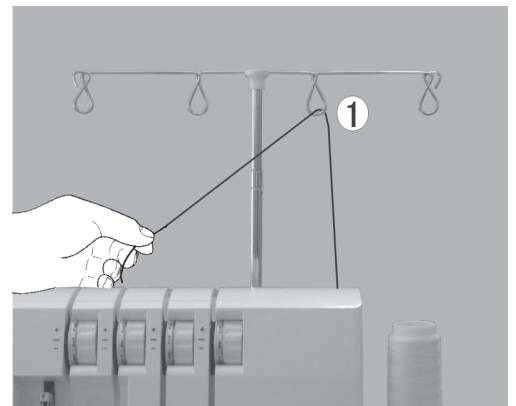
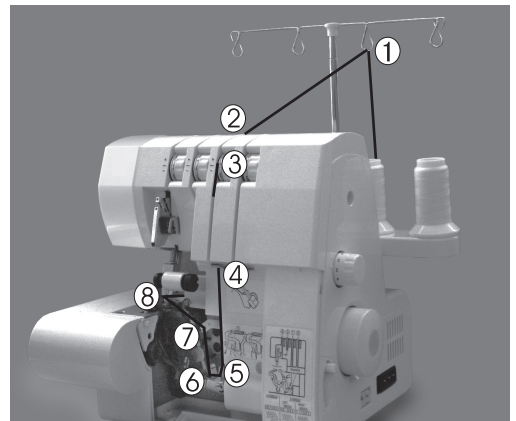


Caution:

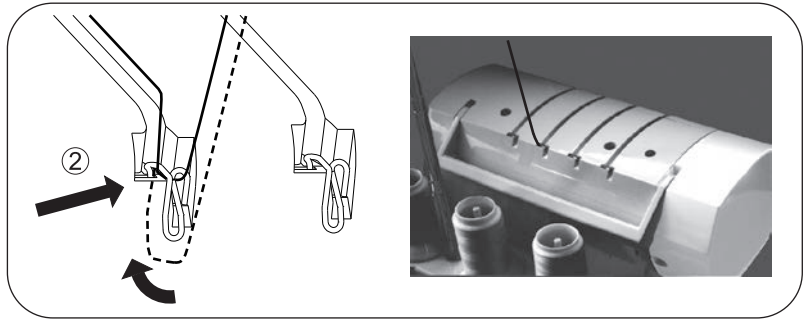
Be sure to turn off power switch.
Presser Foot needs to be up before threading.
You MUST rethread all 4 threads, if one breaks.

1) Threading the Upper Looper (Orange)

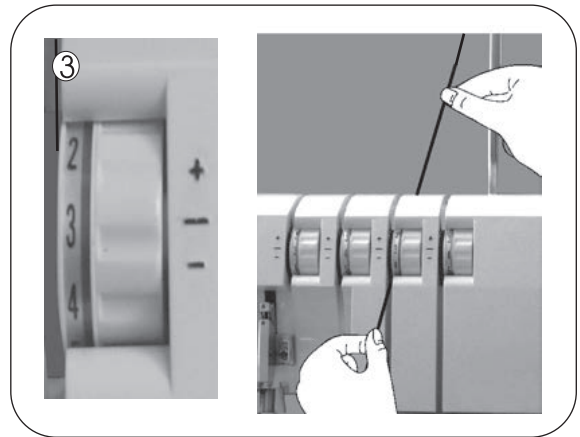
- Thread the upper looper as indicated 1 ~ 8.
- Pass thread from back to the front through the thread guide 1 .



- Thread the top cover thread guide by pulling the thread downward until it slips under thread guide 2 .



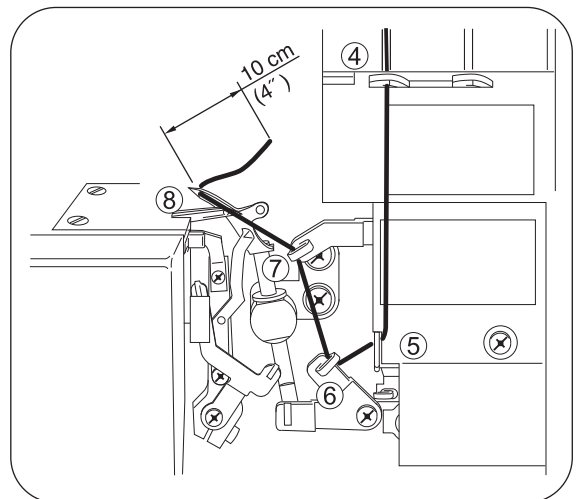
- While holding thread with finger, pass it between the tension discs and pull thread down to make certain it is properly located in between the tension discs 3 .



- Thread the looper area of the machine following the orange color coded thread guides (4 ~ 7).
- Thread the hole in the upper looper from front to back 8 .

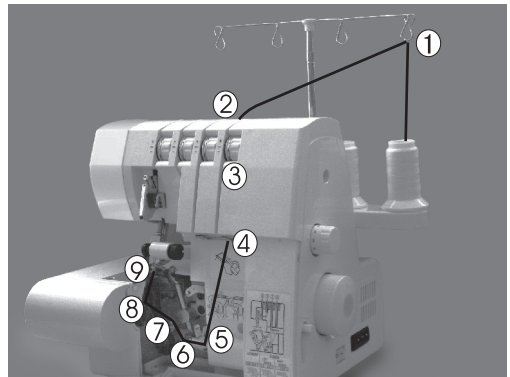
Note: Use of tweezers provided in the accessory set to aid in threading the looper.

- Pull about 10cm (4 inches) of thread through the looper and place to the back of the throat plate.

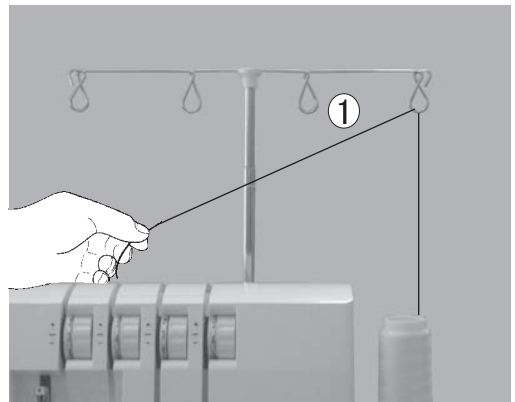


2) Threading the Lower Looper (Yellow)

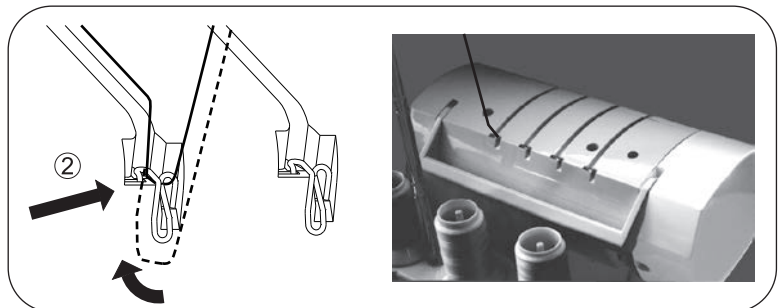
- Thread the lower looper as indicated 1 ~ 9 .



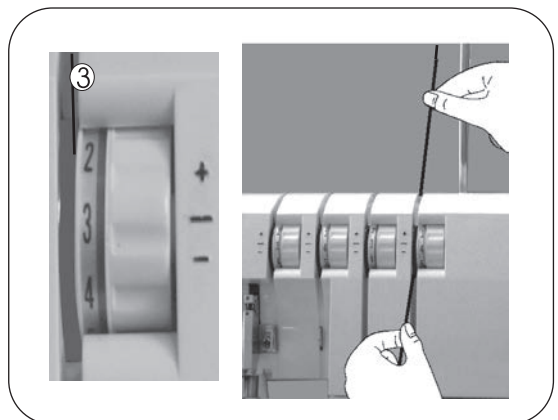
- Pass thread from back to the front through the thread guide 1.



- Thread the top cover thread guide by pulling the thread downward until it slips under thread guide 2.



- While holding thread with finger, pass it between the tension discs and pull thread down to make certain it is properly located in between the tension discs 3 .



- Turn the hand wheel toward you until the lower looper is at the far right.

- Thread the looper area of the machine following the yellow color coded thread guides 4 ~ 7 .

Note: Use the tweezers provided in the accessory set to aid in threading the looper.

- Grasp the thread with the tweezers 4 cm (1-1/2 inches) from thread guide 7 .
- Place the thread with the point of the tweezers slightly under and to the left of threading guide 8.
- Pull the thread up and into thread guide 8.

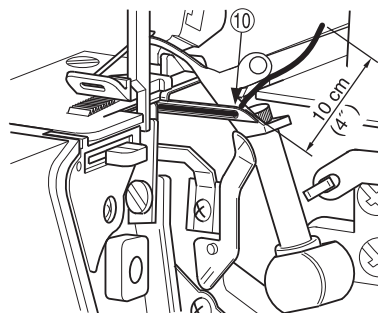
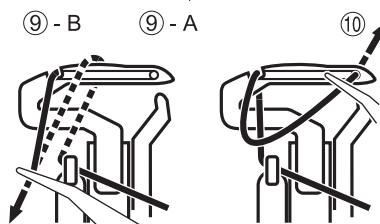
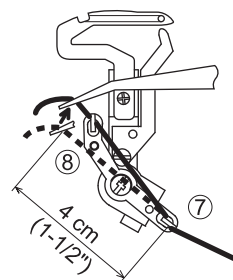
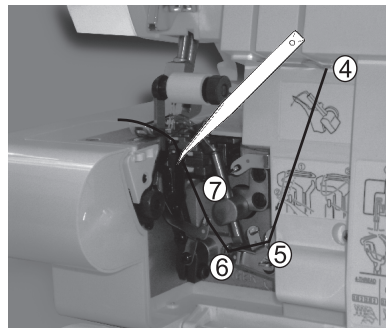
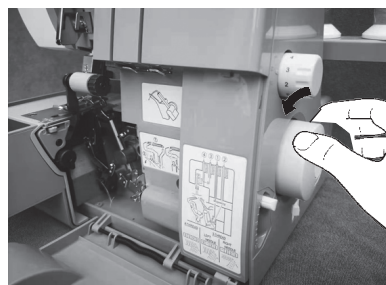
- Pass the thread behind and over the top end of left looper 9-A.
- Then pull it downward gently so that it will slip into the slot in the looper 9-B.

- Pick up the thread and pass it through the hole in the end of the looper 10 .

Note : Use the tweezers provided in the accessory set to aid in threading the looper.

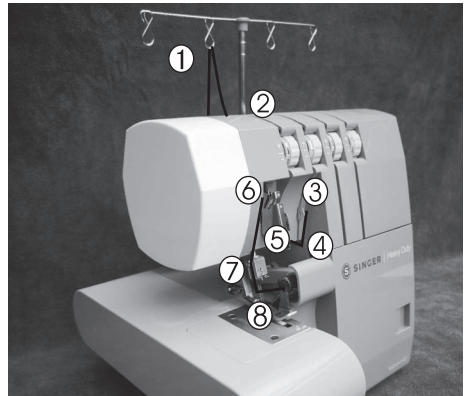
- The thread should be positioned in the groove of the lower looper.

- Pull about 10cm (4 inches) of thread through the looper and place it over the top of the upper looper and to the back of the throat plate.

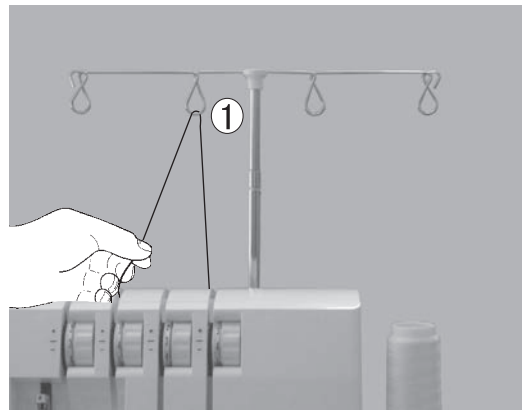


3) Threading the Right Needle (Green)

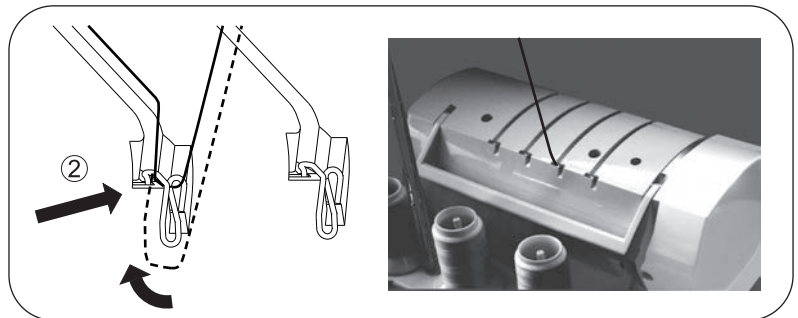
- Thread the right needle as indicated 1 ~ 8.



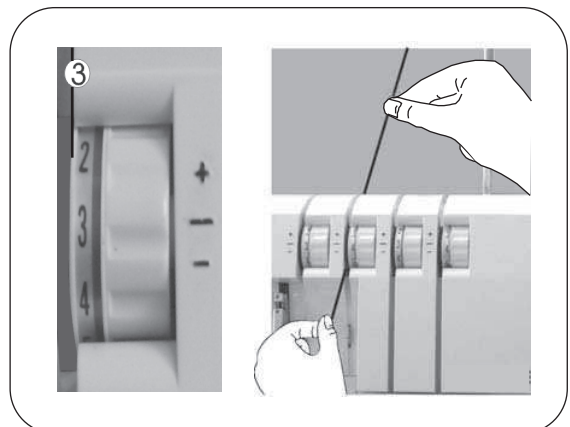
- Pass thread from back to the front through the thread guide 1 .



- Thread the top cover thread guide by pulling the thread downward until it slips under thread guide 2.

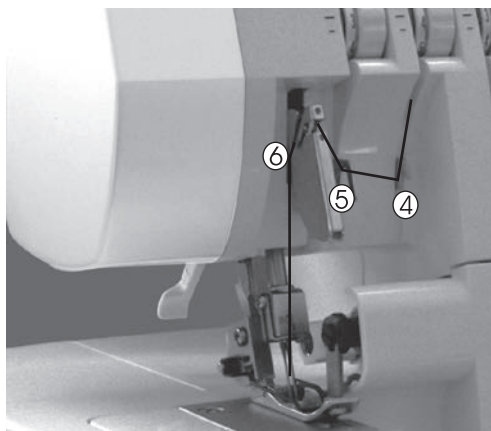


- While holding thread with finger, pass it between the tension discs and pull thread down to make certain it is properly located in between the tension discs 3 .



- Continue to thread points 4 ~ 7 .

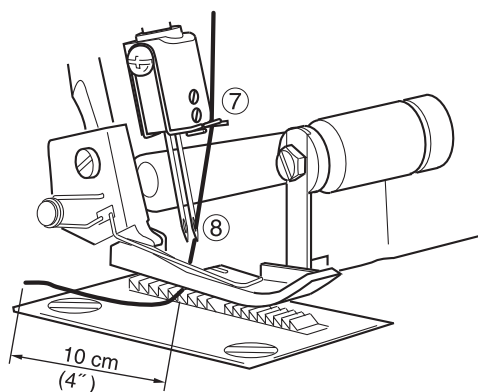
Note: Be sure to pass the thread through upper thread path of the thread guide 6 .



- Thread the eye of the right needle 8 .

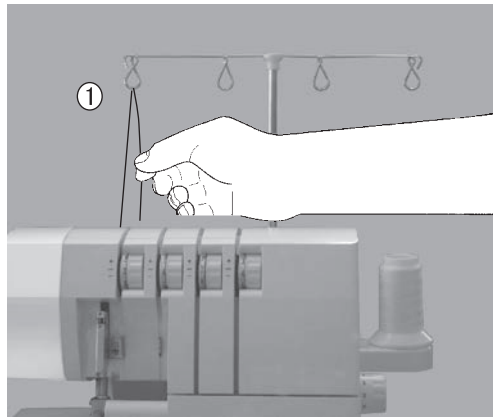
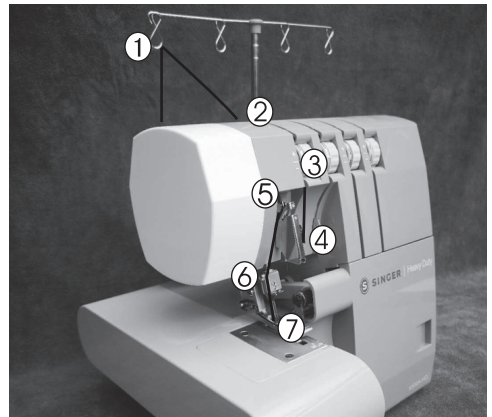
Note: Use of tweezers in the accessory set will make needle eye threading easy.

- Draw about 10cm (4 inches) of thread through needle eye to hang free.
- Place the thread to the back, under the presser foot.

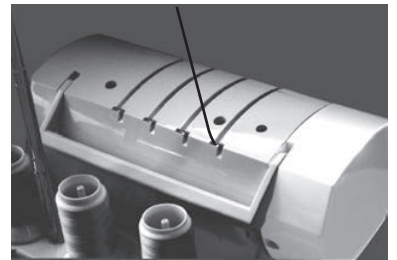
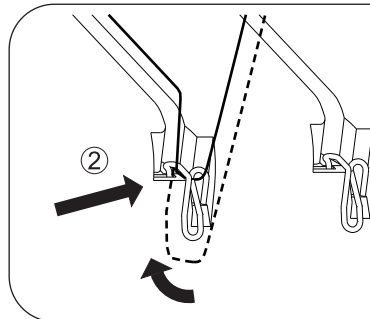


4) Threading the Left Needle (Blue)

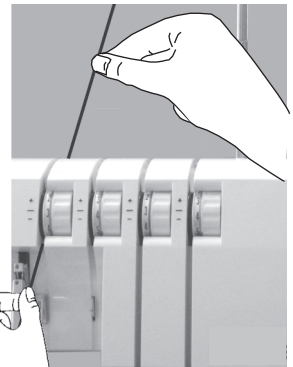
- Thread the left needle as indicated 1 ~ 7.
- Pass thread from back to the front through the thread guide 1 .



- Thread the top cover thread guide by pulling the thread downward until it slips under thread guide 2 .

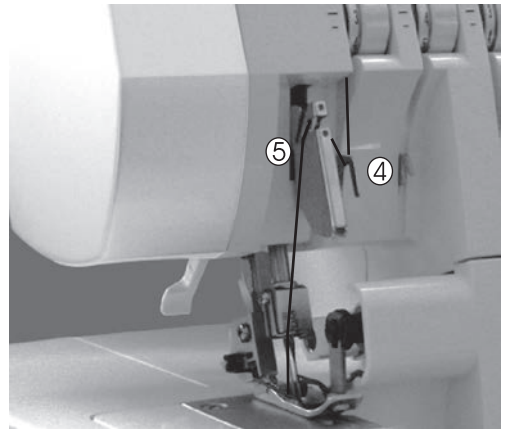


- While holding thread with finger, pass it between the tension discs and pull thread down to make certain it is properly located in between the tension discs 3 .



- Continue to thread points 4 ~ 6 .

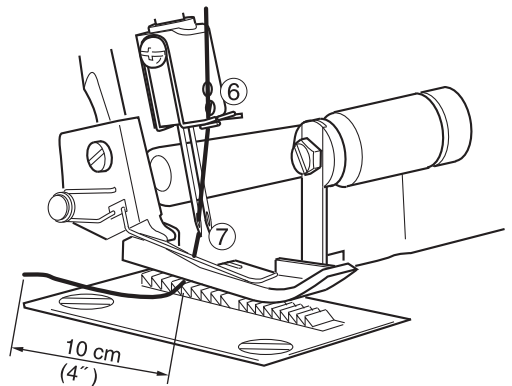
Note: Be sure to pass the thread through lower thread path of the thread guide 5 .



- Thread the eye of the left needle 7 .

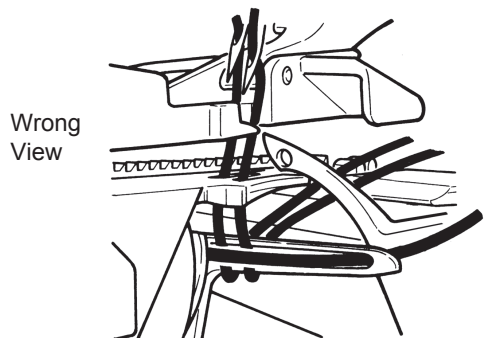
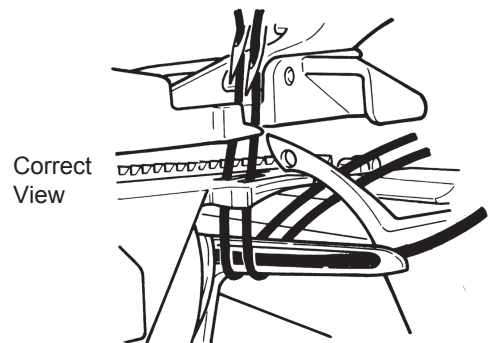
Note: Use of tweezers in the accessory set will make needle eye threading easy.

- Draw about 10cm (4 inches) of thread through needle eye to hang free.
- Place the thread to the back, under the presser foot.



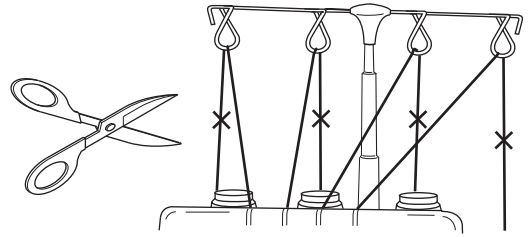
Important Threading Information

- Always thread the needle(s) last to prevent misthreading the lower looper.
- If the lower looper should come unthreaded;
 - 1) Unthread the needle(s)
 - 2) Thread the lower looper
 - 3) Thread the needle(s)

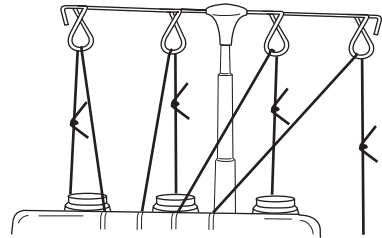


12. HOW TO CHANGE THREADS / TIE ON METHOD

- To change thread type or color, clip thread near the spool.

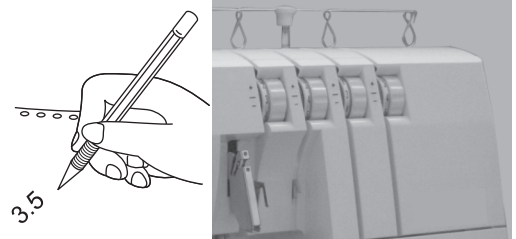


- Place new thread on stand.
- Tie new thread and old thread ends together.
- Clip thread tails to 2 ~ 3cm (1 inch) length. If clipped too short, threads may come untied.

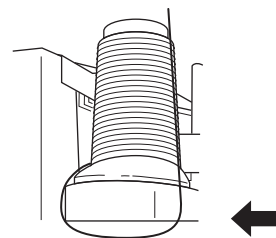


- Firmly pull both thread to test knot security.

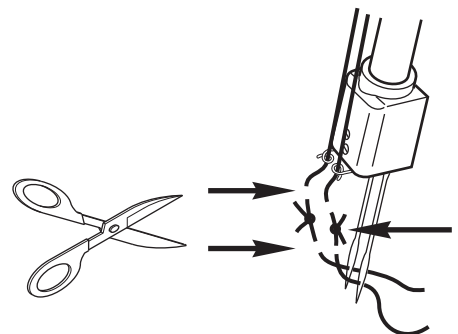
- Note tension dial settings.



- Turn the tension dials down until the dial stops.

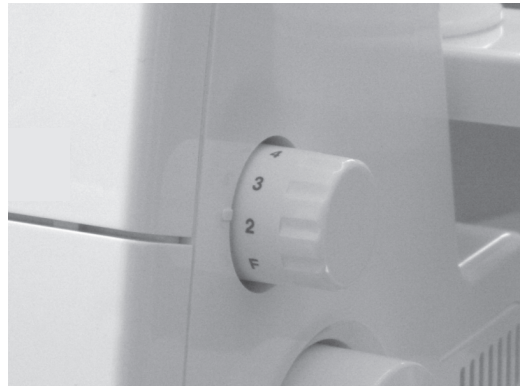


- Pull the threads through the machine one at a time.
- If threads do not pull easily, check for tangles on thread guides or looping under thread stand.
- When pulling thread through the needle, STOP when the knot is in front of the needle.
- Cut the thread, and insert it through the needle.
- Return tension dials to previous settings.



13. HOW TO ADJUST THE STITCH LENGTH

- The stitch length dial should be set on the 3 mm (1/8 inch) setting for most sewing conditions.
- Adjust the stitch length to 4mm (5/32 inch) when sewing heavy weight fabrics.
- Adjust the stitch length to 2mm (5/64 inch) when sewing light weight fabrics to obtain excellent seams without puckering.



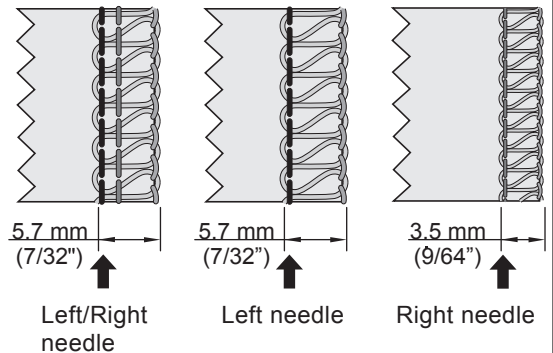
14. HOW TO ADJUST THE SEAM WIDTH

- Overedge seam width can be achieved by repositioning the needle position and also with the width adjustment knob.

Width Adjustment by Changing Needle Position

- Overedge seam width can be adjusted by changing the needle position.

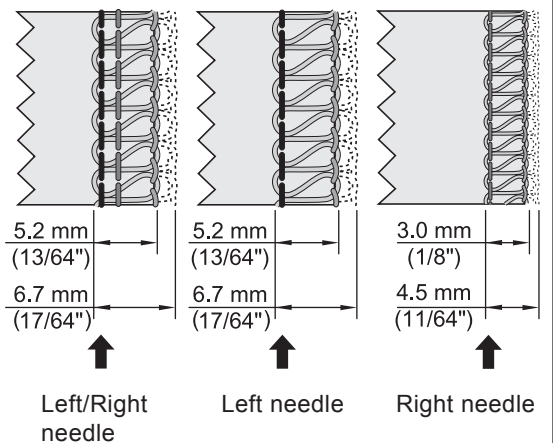
- When only left needle is used 5.7 mm (7/32 inch)
- When only right needle is used..... 3.5 mm (9/64 inch)



Width Adjustment with Adjustment Knob

- Use of width adjustment knob will permit further adjustment within the width range shown below.

- when only left needle is used.....5.2 ~ 6.7 mm (13/64 ~ 17/64 inch)
- When only right needle is used... 3.0 ~ 4.5 mm (1/8 ~ 11/64 inch)



Width adjustment knob



Caution:

Before making adjustments, be sure to turn off power switch

- Opening the looper cover will make adjustment easier.
- Push the upper knife to the right and while maintain the knife in this position, turn the knob away to adjust the desired seam width, using the graduations on the throat plate as a guideline.



Caution:

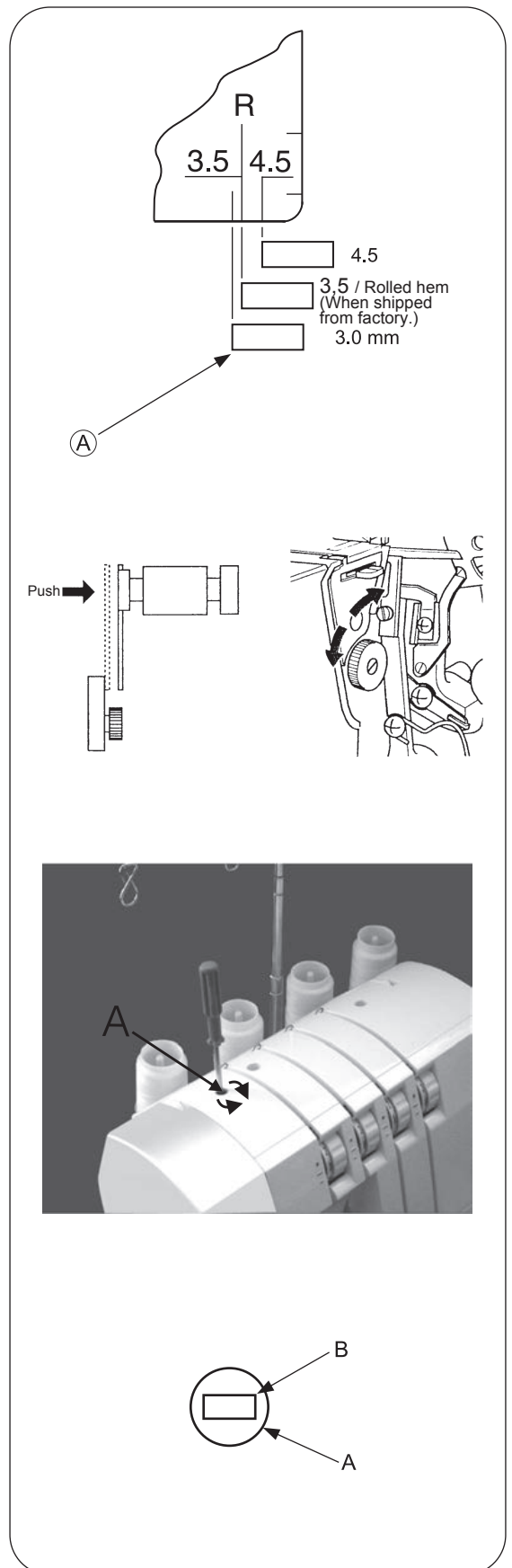
Always close looper cover before operating machine.

15. HOW TO ADJUST THE PRESSER FOOT PRESSURE

- The presser foot pressure of this machine is preadjusted at the factory to suit the sewing of medium weight fabrics.
- Most of the materials do not require adjustment of presser foot pressure however, there are some instances where adjustment is necessary when sewing lightweight and heavyweight fabrics.
- In such case, insert screwdriver through access hole (A) in top cover and into slot (B) in pressure regulating screw and turn regulating screw as required.

Note: Turn regulating screw counterclockwise until it stops against the top cover. Then turn screw clockwise 6 turns which will be the standard presser bar pressure.

- For lightweight fabric ... Decrease the pressure
- For heavyweight fabric ... Increase the pressure

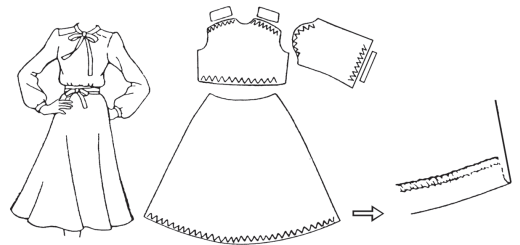


16. DIFFERENTIAL FEED

- Differential feed is a system which “stretches” or “gathers” the fabric, when amount of feed of front feed dog in relation to the rear feed dog is changed.
- The differential feed ratio ranges from 1 : 0.7 ~ 1 : 2.0. Adjustment is made by means of the differential feed adjusting lever pictured below.
- Use of differential feed is very effective in overedging stretch fabrics and fabrics cut on the bias.
- Graduation “1.0” is differential feed adjusting lever setting for ratio 1:1.

Gathered Overedge

- Gathered overedge is most suited for shirring sleeves, yokes, front and back bodices, skirt hems, etc. in stretch fabrics such as knits and jersey before assembling into garment.



To set the differential feed adjusting lever

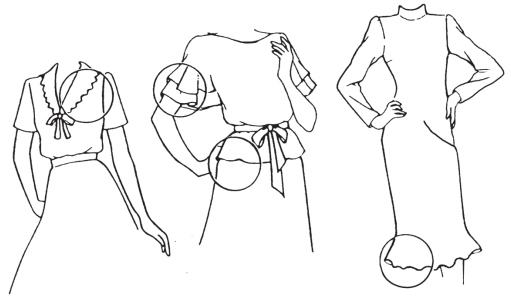
- Set differential feed adjusting lever knob below graduation “1.0”. Setting of adjusting lever knob depends on material being sewn as well as the amount of gather therefore set knob to suit the fabric and test sew before sewing your garment.
- When feed regulating dial is set at “3” or over, the amount of feed of the main feed dog will change to “3” automatically when adjusting lever knob is set to 2.0.

Note: For normal overedge stitching, set differential feed adjusting lever knob to graduation “1.0”.



Stretch Overedge

- Stretch overedge is ideal for sewing decorative collars, sleeves, skirt hems, etc. on loosely knit and woven fabrics.



To set the differential feed adjusting lever

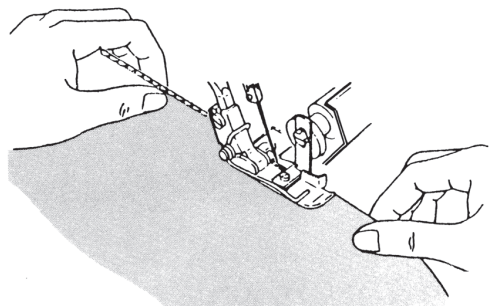
- Set differential feed adjusting lever knob above graduation “1.0”.



- To sew a seam, apply gentle tension to the fabric by holding the seam lightly in front and back of the presser foot.

Note: * If amount of “stretch” is not correctly set in relation to the fabric being sewn, the fabric is apt to shift away from the needle resulting in improperly sewn overedge seam. In such case, reset differential feed adjusting lever closer to the center mark.

- * Be sure to reset the differential feed adjusting lever to graduation “1.0” for normal overedge stitching.



17. HOW TO DISENGGE MOVABLE UPPER KNIFE



Caution:
Be sure to turn off power switch.

To place movable knife in nonworking position

- Turn handwheel over toward you and raise upper knife to its highest position.
- Open looper cover (page 9)
- Push the movable knife holder to the right as far as it will go.
- Turn the knob away from you until the knife clicks into a horizontal position.

Note: If the knife stops in the up position;

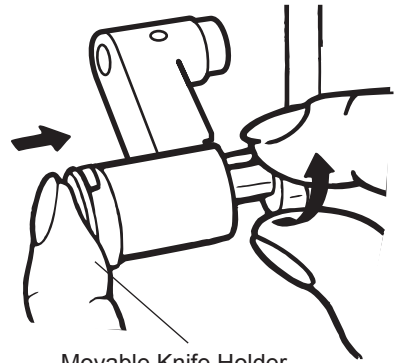
- * Turn the hand wheel toward you until the knife clears the top of the machine.
- * Continue to rotate the knife to the hoeizontal position.

To place movable knife in working position

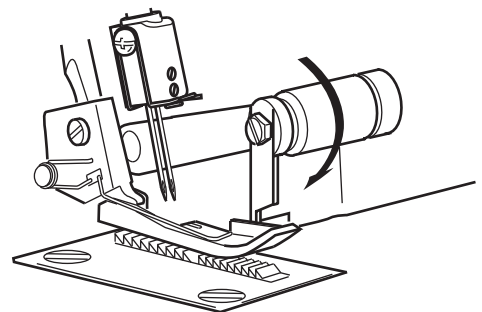
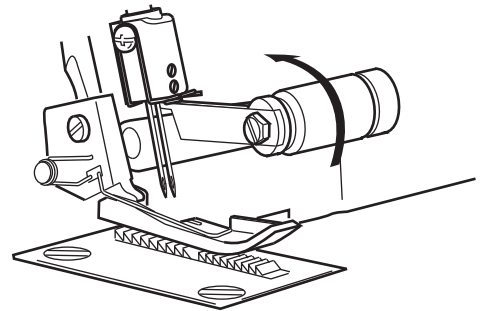
- Open looper cover and push the movable knife holder to the right as it will go.
- Turn the knob up and toward you until the knife clicks into the working position.



Caution:
Always close looper cover before operating machine



Movable Knife Holder



18. CONVERTING THE UPPER LOOPER INTO SPREADER



Warning:
Switch off the machine before installing or removing the spreader.

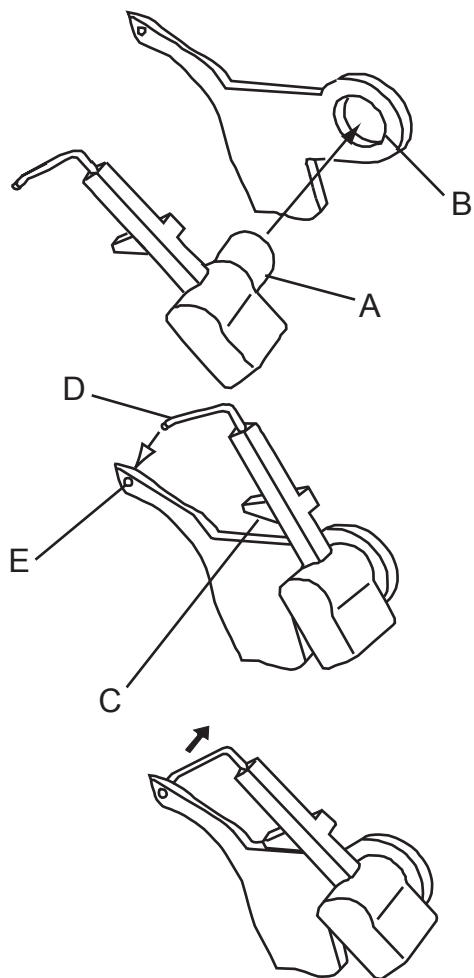
Installing the spreader.

- Insert the pin (A) of the spreader in the hole (B) of the upper looper.
- Put the positioning rib (C) in contact with the upper surface of the looper.
- Insert the point (D) in the hole (E) of the upper looper.

Removing the spreader

- Remove the point (D) of the hole (E) of the upper looper and take the spreader off the looper.

Note: Put the spreader back to the accessory storage.



19. FREE ARM SEWING (TUBULAR WORK)

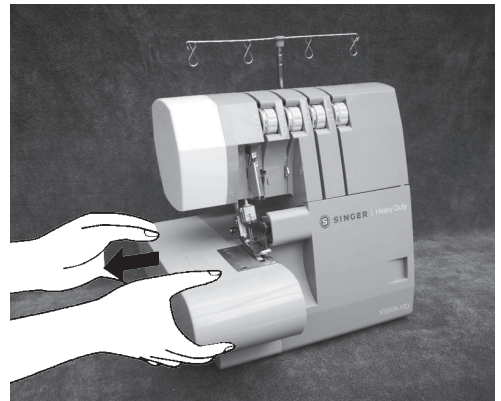
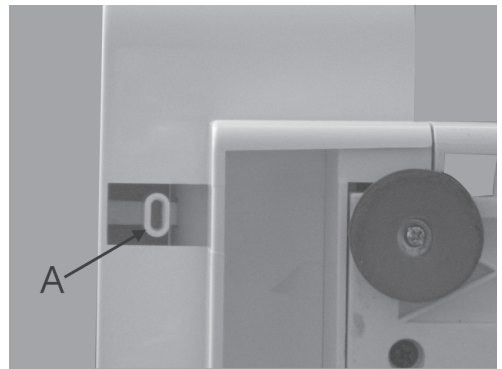
This machine become a free arm machine simply by removing the cloth plate.

To remove the cloth plate

- Slide cloth plate to the left and remove from machine while pressing button (A) located on the underside.
- This is especially suited for sewing hard to reach garment areas such as armholes and overcasting trouser cuffs.
- Place garment over the free arm and sew.

To replace the cloth plate

- Align projection on cloth plate with groove in cylinder cover and slide to the right until tab on cloth plate (front) snaps into slot in cylinder cover.

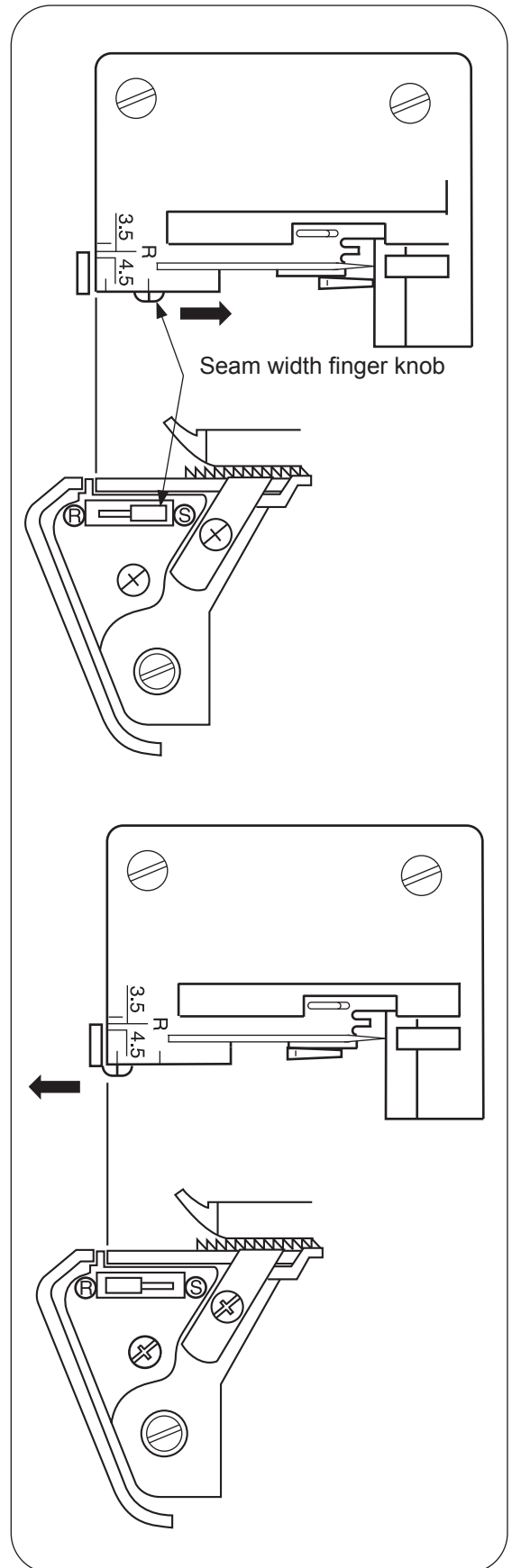


20. STANDARD OVEREDGE AND ROLLED HEM STITCHING

To Sew Standard Overedge

- Set seam width finger knob to S to move seam width finger to projected position.

Note: Be sure to push seam width finger knob as far as it will go in the direction of setting S.



To Sew Rolled Hem

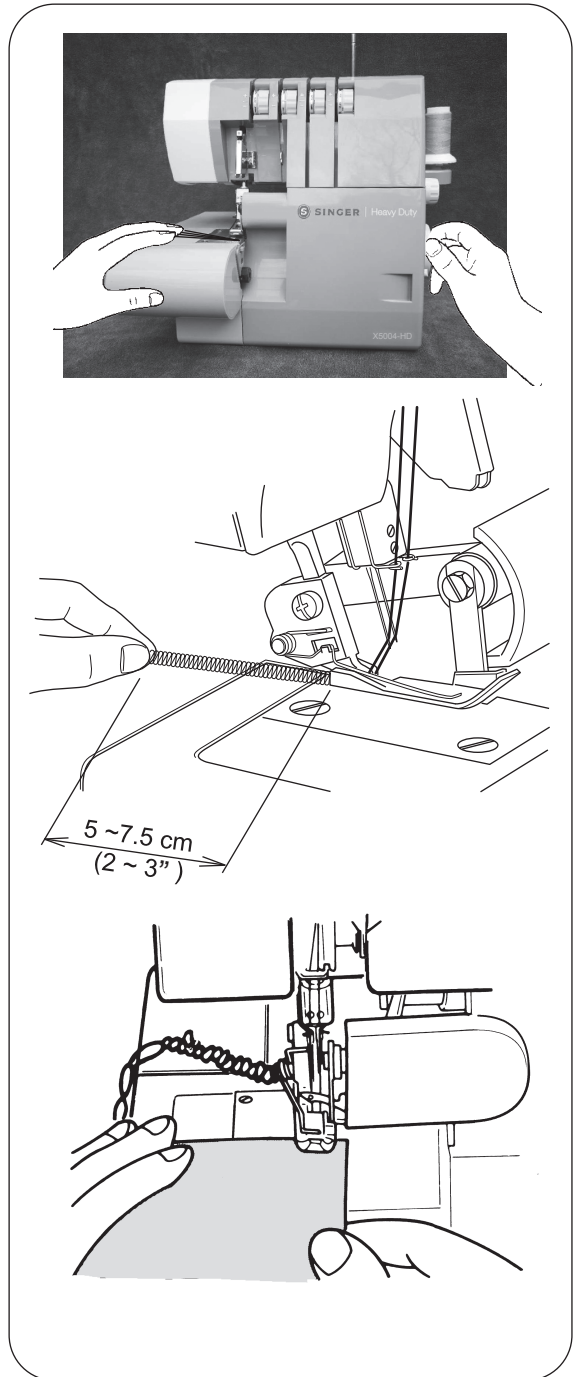
- Set seam width finger knob to R to retract the seam width finger.

Note: Be sure to push seam width finger knob as far as it will go in the direction of setting R.

21. CHAINING OFF AND TEST SEWING

- When the machine is completely threaded, bring all of the threads over the throat plate and slightly to the left under the presser foot.
- Hold the threads and apply a slight tension.
- Turn the hand wheel toward you 2 or 3 complete turns to start the thread chain.
- Lower presser foot.
- Continue holding the chain and press on the foot controller until the chain is 5 ~ 7.5cm (2 ~ 3 inches) in length.
- Place fabric under the front of the presser foot and sew a test sample.

Note: Do not pull on the fabric while sewing as this may deflect the needle, causing it to break.



22. Starting and Ending Seams

To Start a Seam

- To start a seam on most fabrics, first bring the thread tail under the presser foot and then to the left of the machine.
- Hold the thread tail and step on the foot controller to begin sewing. Sew until you have created a 3" (7.5 cm) chain.
- Place the fabric on the feed dogs in front of the foot. Start sewing.

Note: * For heavy or thick fabrics, it is recommended to use **SINGER** needles #2022 size 100/16.

* Heavy or thick fabrics may be more difficult to feed than others. In these cases, start by cutting a notch at the beginning of the seam about 1" (2.5 cm) down from the top of the fabric, and along the seam line.

* Lift the presser foot and raise the needles. Place the notch so that the top edge of the fabric is in front of the needles, with the cut edge lined up next to the blade.

* Lower the presser foot and sew.



To End a Seam

- To end a seam, continue sewing past the end of the fabric until the thread chain forms.
- Cut the thread, leaving at least 3" (7.5 cm) at the end of the fabric.



23. SUGGESTED TENSION SETTING

1) 2-Thread wrapped edge overlock.

Note: * These are suggested tension settings only.

* Tension settings are effected by;

- 1) Type and thickness of fabric
- 2) Needle size
- 3) Size, type and fiber content of thread



* See page 26 to converting the upper looper into spreader.

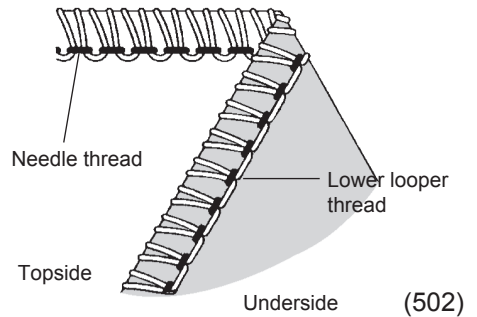
Correct Balance

- Set each tension dial to settings shown at right and test sew on a sample of your fabric

How to Balance

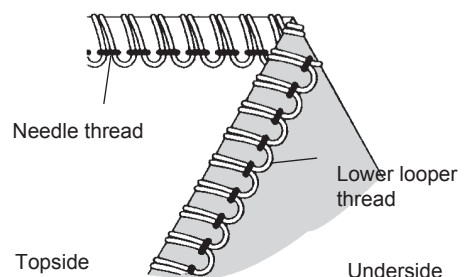
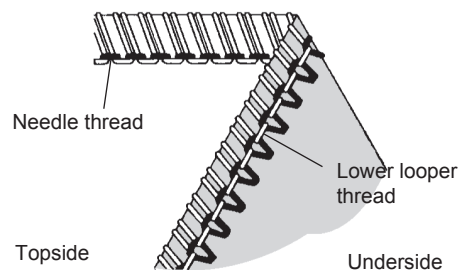
- When the lower looper thread tension is too tight or the needle thread tension is too loose:
 - Turn the lower looper thread tension dial (yellow) toward a lower number.
 - Or, turn the needle thread tension dial (blue or green) toward a higher number.
- When the lower looper thread tension is too loose;
 - Turn the looper thread tension dial (yellow) toward a higher number.

NEEDLE POSITION		
SEAM WIDTH FINGER KNOB	S	
STITCH LENGTH	2 - 4	
SPREADER	USE	



Fabric	Tension Dial			
	Blue	Green	Orange	Yellow
Light weight	2.5		Spreader	1.0
Medium weight	3.5		Spreader	1.0
Heavy weight	4.0		Spreader	1.0

Fabric	Tension Dial			
	Blue	Green	Orange	Yellow
Light weight		2.5	Spreader	2.0
Medium weight		4.0	Spreader	2.0
Heavy weight		5.0	Spreader	2.0



2) 2-Thread standard rolled hem stitching



Note: * These are suggested tension settings only.

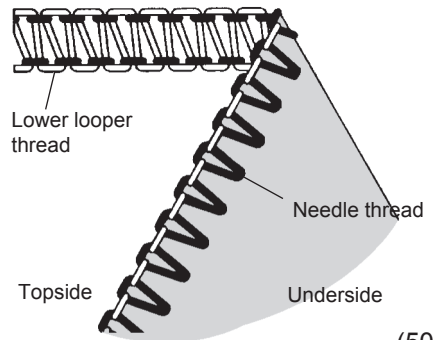
- * Tension settings are effected by;
 - 1) Type and thickness of fabric
 - 2) Needle size
 - 3) Size, type and fiber content of thread

- * See page 26 to converting the upper looper into spreader.

Correct Balance

- Set each tension dial to settings shown at right and test sew on a sample of your fabric

NEEDLE POSITION		
SEAM WIDTH FINGER KNOB	S	
STITCH LENGTH	2 - 4	
SPREADER	USE	



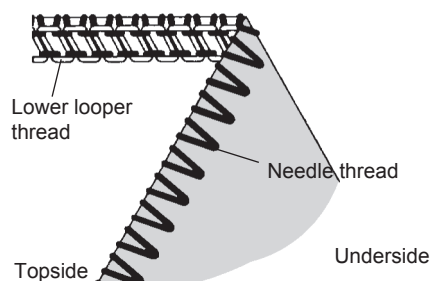
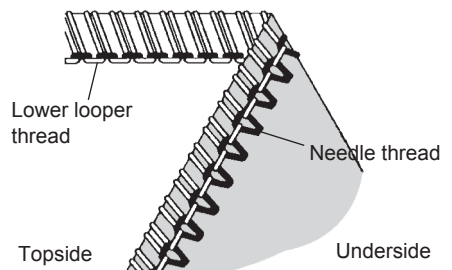
(503)

Fabric	Tension Dial			
	Blue	Green	Orange	Yellow
Light weight	0		Spreader	5.0
Medium weight	0.5		Spreader	5.0
Heavy weight	1.0		Spreader	5.0

Fabric	Tension Dial			
	Blue	Green	Orange	Yellow
Light weight		0	Spreader	5.0
Medium weight		0.5	Spreader	6.0
Heavy weight		1.0	Spreader	6.5

How to Balance

- When the lower looper thread is bottom side of the fabric.
 - Turn the lower looper thread tension dial (yellow) toward a higher number.
 - Or, turn the needle thread tension dial (blue or green) toward a lower number.
- When the needle thread tension is too loose;
 - Turn the needle thread tension dial (blue or green) toward a lower number.
 - Or, turn the lower looper thread tension dial (yellow) toward a lower number.



3) 3-thread Overlock

Note: * These are suggested tension settings only.

* Tension settings are effected by;



- 1) Type and thickness of fabric
- 2) Needle size
- 3) Size, type and fiber content of thread

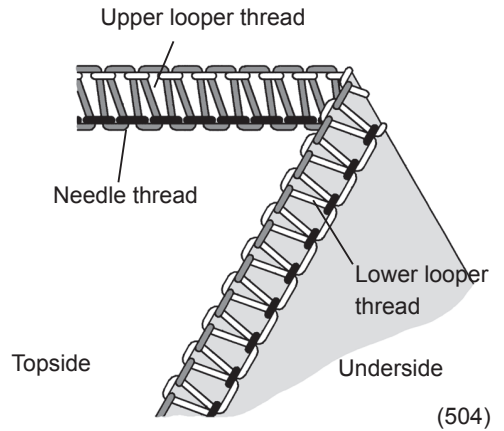
Correct Balance

- Set each tension dial to settings shown at right and test sew on a sample of your fabric

How to Balance

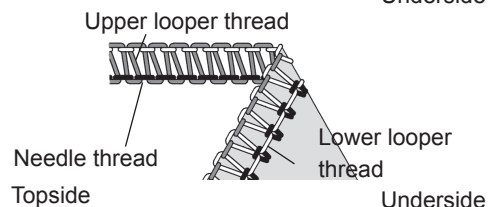
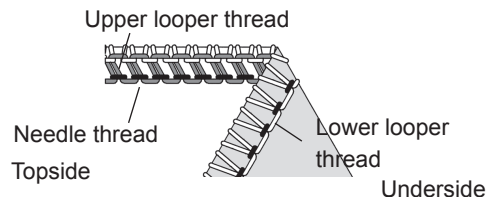
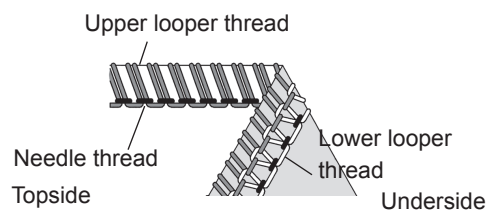
- When the upper looper thread lies on the underside of the fabric;
 - Turn the upper looper thread tension dial (orange) to a higher number.
 - Or, turn the lower looper thread tension dial (yellow) to a lower number.
- When the lower looper thread appears on the top of fabric;
 - Turn the lower looper thread tension dial (yellow) toward a higher number.
 - Or, turn the upper looper thread tension dial (orange) to a lower number.
- When the needle thread is too loose, turn the needle tension dial (blue or green) to a higher number.

NEEDLE POSITION		
SEAM WIDTH FINGER KNOB	S	
STITCH LENGTH	2 - 4	



Fabric	Tension Dial			
	Blue	Green	Orange	Yellow
Light weight	2.5		3.0	3.0
Medium weight	3.0		3.0	3.0
Heavy weight	3.5		3.0	3.0

Fabric	Tension Dial			
	Blue	Green	Orange	Yellow
Light weight		2.5	3.0	3.0
Medium weight		3.0	3.0	3.0
Heavy weight		3.5	3.0	3.0



4) 3-thread Flatlock

Note: * These are suggested tension settings only.

* Tension settings are effected by;



- 1) Type and thickness of fabric
- 2) Needle size
- 3) Size, type and fiber content of thread

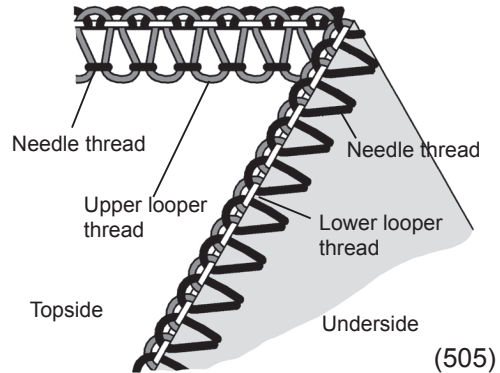
Correct Balance

- Set each tension dial to settings shown at right and test sew on a sample of your fabric

How to Balance

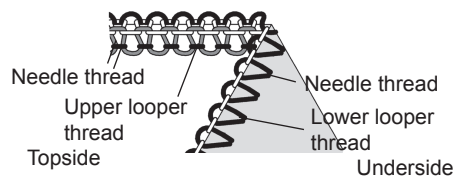
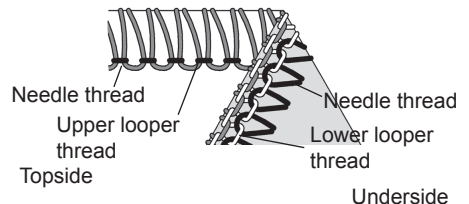
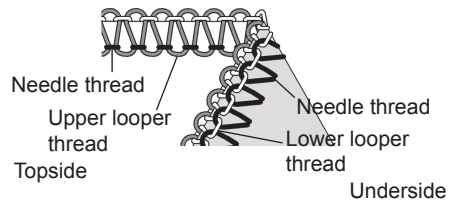
- When the lower looper thread tension is too loose;
 - Turn the lower looper thread tension dial (yellow) toward a higher number.
 - Or, turn the needle thread tension dial (blue or green) toward a lower number.
- When the upper looper thread tension is too loose;
 - Turn the upper looper thread tension dial (orange) toward a higher number.
 - Or, turn the needle thread tension dial (blue or green) toward a lower number.
- When the needle thread tension is too loose;
 - Turn the needle thread tension dial (blue or green) toward a higher number.
 - Or, turn the upper looper thread tension dial (orange) toward a lower number.

NEEDLE POSITION		
SEAM WIDTH FINGER KNOB	S	
STITCH LENGTH	2 - 4	



Fabric	Tension Dial			
	Blau	Green	Orange	Yellow
Light weight	0.5		5.0	7.0
Medium weight	0.5		5.0	7.0
Heavy weight	0.5		5.0	7.0

Fabric	Tension Dial			
	Blau	Green	Orange	Yellow
Light weight		0.5	5.0	7.0
Medium weight		0.5	5.0	7.0
Heavy weight		0.5	5.0	7.0



5) 3-thread Wrapped Edge Overlock

Note: * These are suggested tension settings only.



- * Tension settings are effected by;
- 1) Type and thickness of fabric
 - 2) Needle size
 - 3) Size, type and fiber content of thread

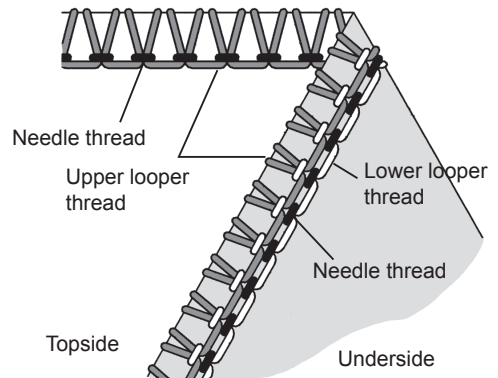
Correct Balance

- Set each tension dial to settings shown at right and test sew on a sample of your fabric

How to Balance

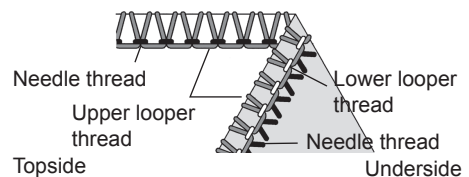
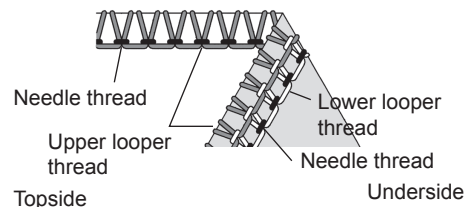
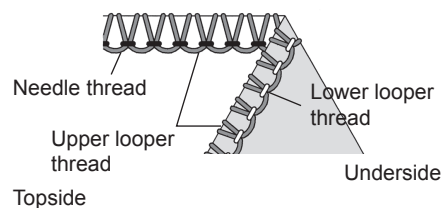
- When the upper looper thread tension is too loose;
 - Turn the upper looper thread tension dial (orange) toward a higher number.
- When the lower looper thread tension is too loose;
 - Turn the lower looper thread tension dial (yellow) toward a higher number.
 - Or, turn the upper looper thread tension dial (orange) toward a lowre number.
- When the needle thread tension is too loose;
 - Turn the needle thread tension dial (blue or green) toward a higher number.
 - Or, turn the upper looper thread tension dial (orange) toward a lower number.

NEEDLE POSITION		
SEAM WIDTH FINGER KNOB	S	
STITCH LENGTH	2 - 4	



Fabric	Tension Dial			
	Blue	Green	Orange	Yellow
Light weight	4.0		0	8.0
Medium weight	5.0		0	8.5
Heavy weight	5.0		0	8.5

Fabric	Tension Dial			
	Blue	Green	Orange	Yellow
Light weight		2.5	1.0	7.0
Medium weight		3.0	1.0	7.0
Heavy weight		3.5	1.0	7.0



6) 4-thread Ultra Stretch Mock Safety Stitch

Note: * These are suggested tension settings only.

* Tension settings are effected by;

- 1) Type and thickness of fabric
- 2) Needle size
- 3) Size, type and fiber content of thread

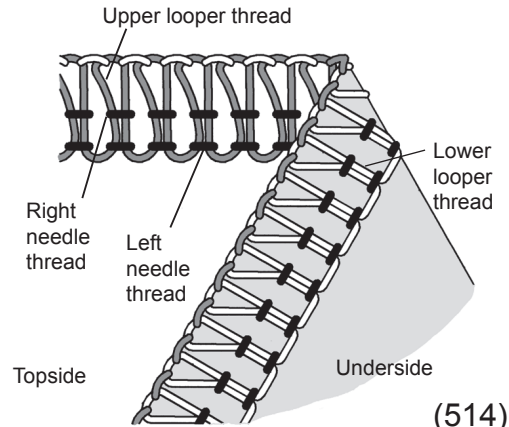
Correct Balance

- Set each tension dial to settings shown at right and test sew on a sample of your fabric

How to Balance

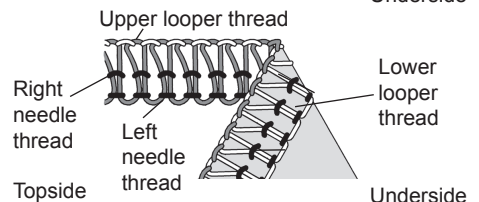
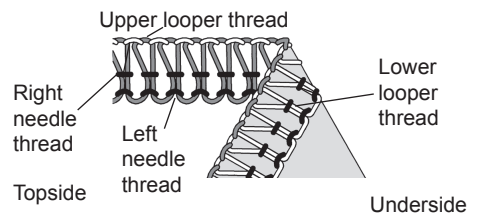
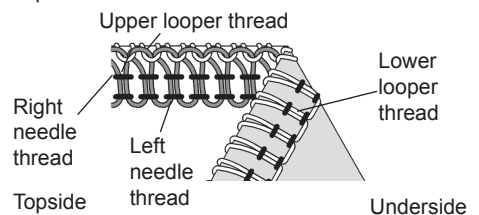
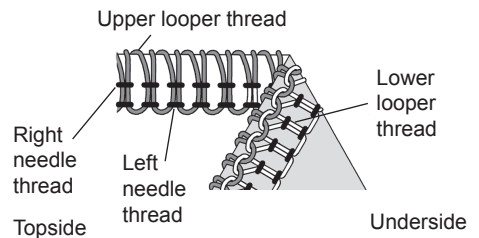
- When the upper looper thread lies on the underside of the fabric;
 - Turn the upper looper thread tension dial (orange) to a higher number.
 - Or, turn lower looper thread tension dial (yellow) to a lower number
- When the lower looper thread appears on the top of the fabric;
 - Turn lower looper thread tension dial (yellow) toward a higher number
 - Or, turn the upper looper thread tension dial (orange) toward a lower number.
- When the left needle thread tension is too loose;
 - Turn the left needle thread tension dial (blue) toward a higher number.
- When the right needle thread tension is too loose;
 - Turn the right needle thread tension dial (green) toward a higher number.

NEEDLE POSITION	
SEAM WIDTH FINGER KNOB	S
STITCH LENGTH	2 - 4



(514)

Fabric	Tension Dial			
	Blue	Green	Orange	Yellow
Light weight	2.5	2.5	3.0	3.0
Medium weight	3.0	3.0	3.0	3.0
Heavy weight	3.5	3.5	3.0	3.0

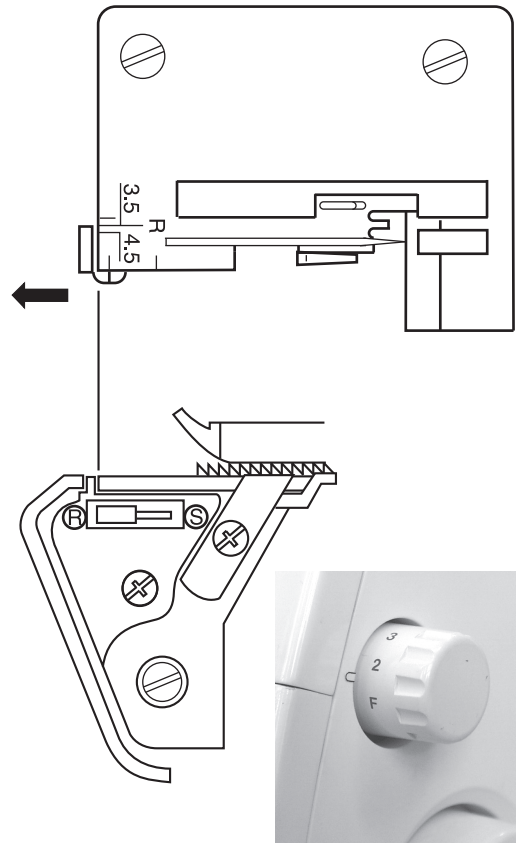
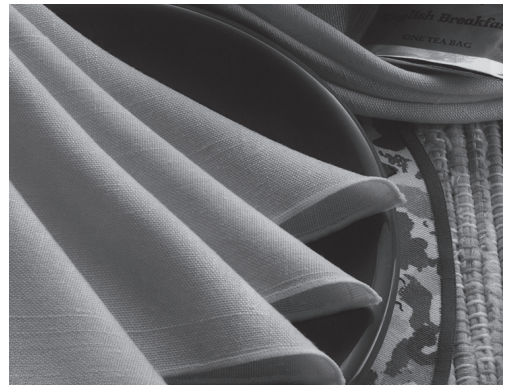


24. HOW TO SEW A ROLLED HEM

- This machine can sew four types of rolled hems.
- Rolled hemming is done by rolling and overedging the fabric edge.
- Light weight fabrics such as lawn, voile, organdy, crepe, etc, perform the best.
- Rolled hemming is not suited for heavy or stiff fabrics.

Machine Set Up

- Remove the left needle.
- Move seam width finger knob to setting R . (See page 28)
- Align left face of seam width finger support plate with R mark on throat plate by turning seam width finger knob, as required.
- Set stitch length dial to “F~2” and a fine seam will be sewn.
- Needle: Singer Needle #2022 size 80/11 or 90/14
- Thread: A variety of thread combinations can be used for rolled hemming.




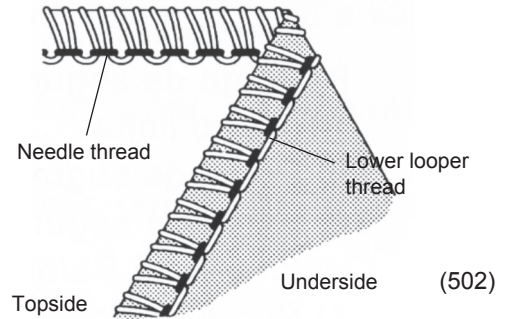
Note: For a beautiful two-thread rolled hem thread the upper looper with wooly nylon and the needle with lightweight regular thread.

1) a.2-Thread wrapped edge overlock

Correct Balance

- Set each tension dial to settings shown at right and test sew on a sample of your fabric

NEEDLE POSITION	
SEAM WIDTH FINGER KNOB	S
STITCH LENGTH	F - 2
SPREADER	USE

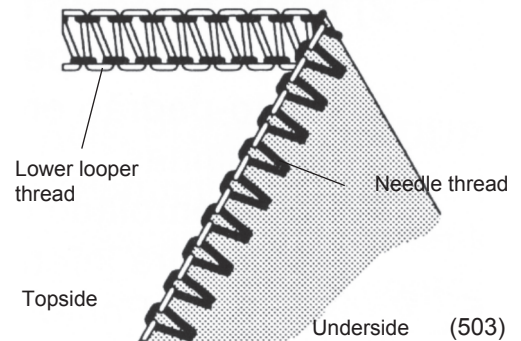


Upper looper thread	Tension Dial			
	Blue	Green	Orange	Yellow
Polyester		3.0		2.0
Wooly nylon		3.0		2.0

b.2-Thread standard rolled hem stitching

Correct Balance

- Set each tension dial to settings shown at right and test sew a sample of your fabric.




Upper looper thread	Tension Dial			
	Blue	Green	Orange	Yellow
Wooly nylon		2.0		4.0

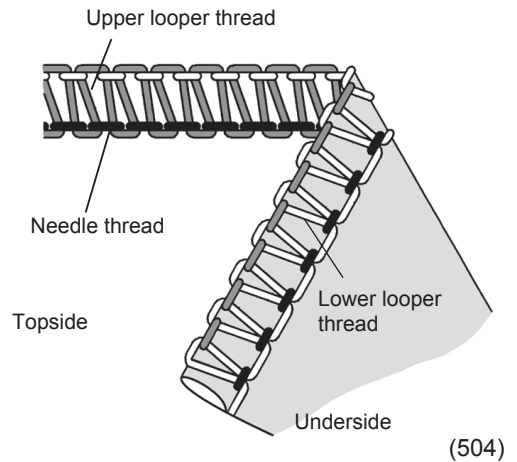
Note: For a beautiful rolled hem thread the upper looper with wooly nylon and the needle and lower looper with lightweight regular thread.

2) a.3-thread Standard Rolled Hem Stitching

Correct Balance

- Set Each Tension Dial to Settings Shown at Right and Test Sew on a Sample of Your Fabric

NEEDLE POSITION	
SEAM WIDTH FINGER KNOB	R
STITCH LENGTH	F - 2

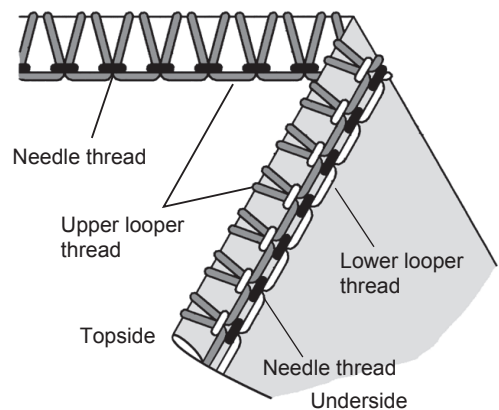


Upper looper thread	Tension Dial			
	Blue	Green	Orange	Yellow
Polyester		3.0	5.0	3.0
Wooly nylon		3.0	3.5	3.5

b.3-thread Upper Looper Thread Wrapped Rolled Hem Stitching

Correct Balance

- Set each tension dial to settings shown at right and test sew on a sample of your fabric



Upper looper thread	Tension Dial			
	Blue	Green	Orange	Yellow
Polyester		2.0	5.0	7.0
Wooly nylon		2.0	2.0	5.0

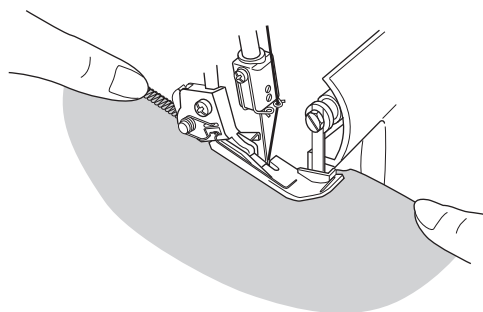
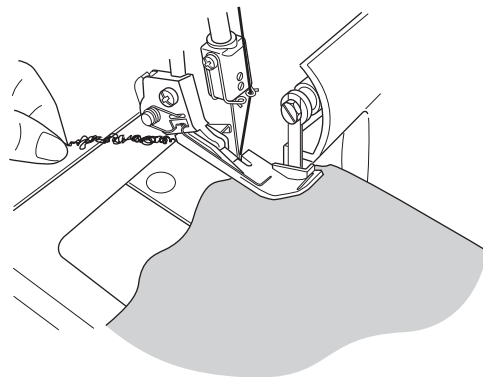
Additional Information About Rolled Hemming

- Hold the thread chain when you begin sewing to keep it from curling into the seam.
- Place a slight tension on the material in the sewing direction and a finer seam finish can be obtained.
- The minimum overedge stitch width that can be obtained for rolled hemming is approximately 1.5mm (1/16 inch) since the cutting width cannot be set below 3.5mm (9/64 inch).

To Secure the Rolled Hem Thread Chain

- Apply a small drop of liquid seam sealant to the end of the seam. Allow to dry, then cut the chain close to the stitches.

Note: Test the liquid seam sealant for color fastness before use.



25. STITCH VARIATIONS AND SEWING TECHNIQUES

How to Sew a Flatlock Decorative Seam

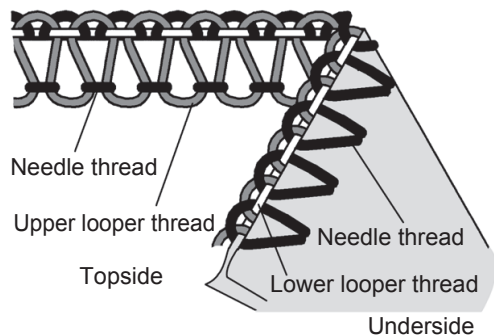
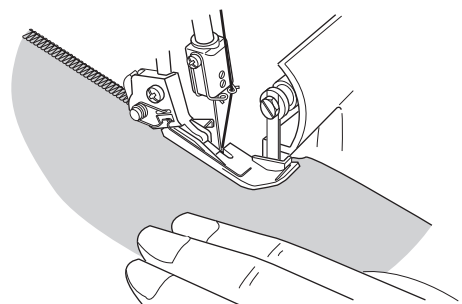
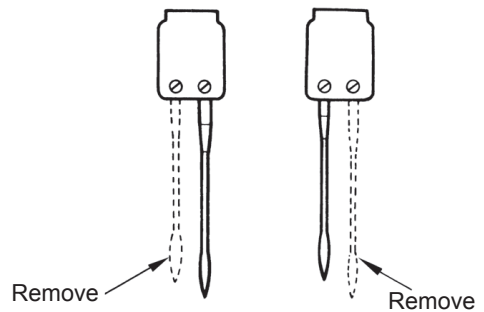
- A flatlock stitch is achieved by adjusting the tension of the 3-thread overlock stitch, sewing the seam and pulling the fabric apart to flatten the seam.
- The flatlock stitch can be used as a construction and decorative stitch or for ornamentation only.

(1) Machine Set Up

- Remove the left or right needle.
- Begin with the machine threaded and tension balanced for the 3-thread overlock stitch (page 29).
- Loosen the needle thread tension (green or blue) generously.
- Loosen the upper looper thread tension (orange) slightly.
- Tighten the lower looper thread tension (yellow) generously.

(2) Flatlocking a Seam

- Place the fabric wrong sides together to sew a decorative stitch on the right side of the garment.
- Sew the seam, trimming the excess fabric.
- The needle thread (green or blue) will form a V on the underside of the fabric.
- The lower looper thread will pull into a straight line at the fabric edge.



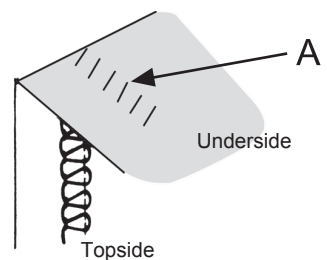
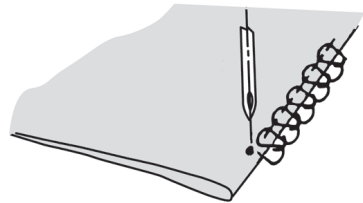
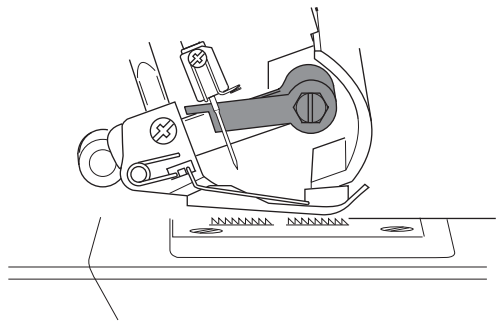
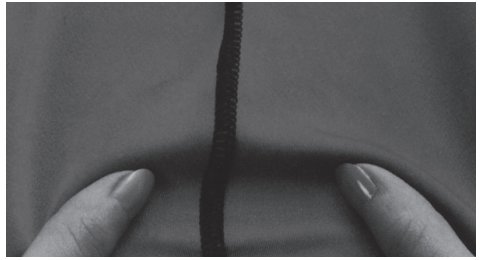
- Pull on opposite sides of the seam to pull the stitches flat.

(3) Decorative Flatlocking

- Place the movable upper knife in the nonworking position (page 25). The fabric is not trimmed or this stitch.

- Fold fabric wrong sides together.
- Position the fabric so the seam is sewn with part of the stitch extending off the fabric.

- Pull on opposite sides of the stitch to flatten.



(4) Additional Information About Flatlocking

- The tensions must be correctly adjusted for the fabric to pull flat.
- The upper looper thread is the prominent thread in the flatlock stitch. Place a decorative thread in the upper looper and inconspicuous threads in the lower looper and needle.
- For a ladder stitch, sew seam with right sides together. The needle thread will be the prominent thread that creates the ladder (A).

How to Sew an Overlock Blind Hem

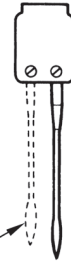
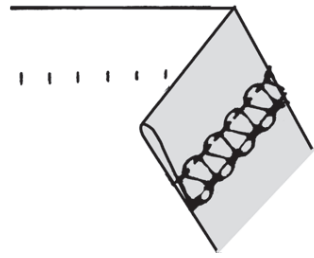
- The excess fabric is trimmed and the hem is sewn and the raw edges are overlocked in one operation.
- The overlock blind hem is best suited for sewing knit wear. It provides a durable finish that is almost invisible.
- Remove the left needle and adjust machine for a narrow 3-thread overlock stitch.

Note: The three-thread flatlock stitch can also be used.
- Set the stitch length dial at 4.
- Fold the hem to the wrong side of the fabric, then back to the right side with 6mm (1/4") beyond the fold.
- Stitch on the extended hem edge, allowing the machine needle to barely catch the edge of the fold.

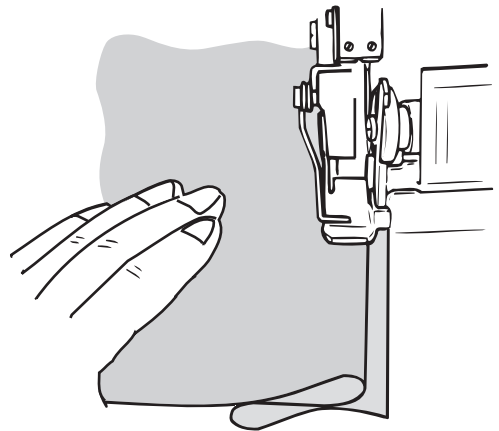
How to Sew Pin Tucks

- Sew decorative pin tucks on the fabric before cutting out the garment.
- Remove the left needle and adjust machine for a narrow 3-thread overlock stitch.

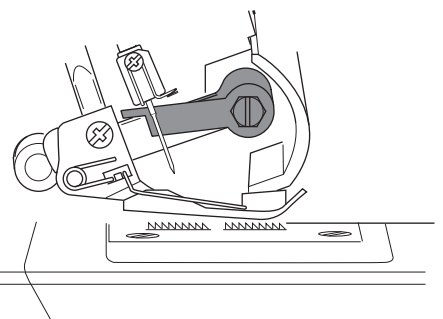
Note: The rolled hem stitch can also be used for this technique.
- Place the movable upper knife in the nonworking position (page 25).
- mark the fabric with the desired number of pin tucks using a water soluble fabric marker.



Remove

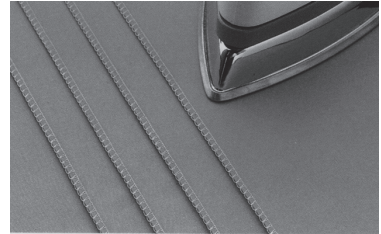
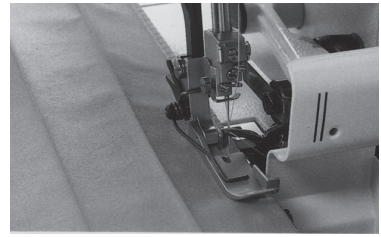


Remove



- Fold the fabric with the wrong sides together and sew.

- Press the pin tucks in the same direction.



Turning Square Corners

(1) Outside Corner

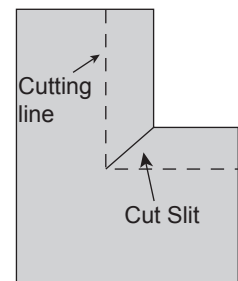
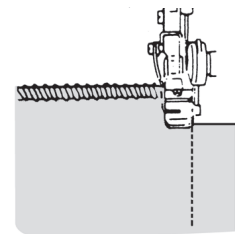
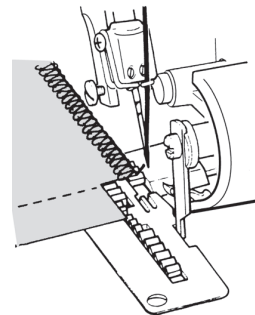
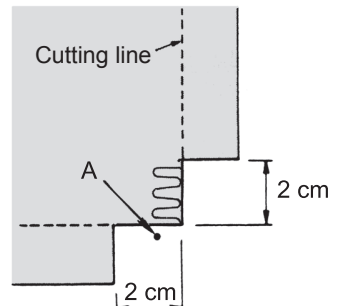
- Cut out approximately 2 cm (51/64 inch) from the corner, in line with the overedge seam edge.
- Sew one stitch beyond point (A) and stop.
- Raise needle and presser foot.
- Pull the fabric to the rear of the machine just enough to release the thread caught on the finger of the throat plate.

Note: Presser foot has been removed to show detail.

- Turn the fabric and lower the presser foot so that the knife is positioned in line with the cut edge.
- Pull slack threads up, then start to sew.

(2) Inside Corner

- Cut fabric at seam edge.



- Place the movable upper knife in nonworking position (page 25).

- Stitch on cut edge of fabric.
- Stop sewing before you reach the corner and fold the fabric to the left to straighten the corner.

- Continue to sew slowly holding the fabric edge in a straight line moving the fold as you sew.

Pin Placement

- Insert pins to the left of the presser foot. The pins will be easy to remove and are away from the cutting action of the knives.

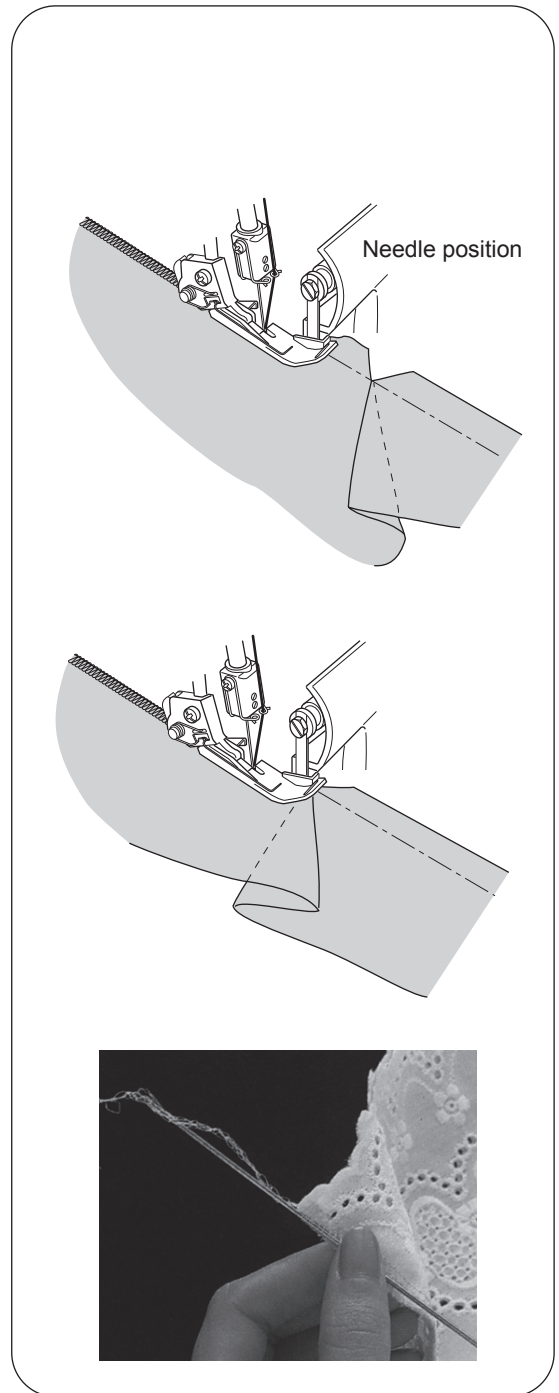


Caution:
Sewing over pins will damage and/or destroy the cutting edge of the knives.

Securing the Thread Chain

- Thread a large eye, hand sewing needle (such as a tapestry needle) with the thread chain.
- Insert the needle into the end of the seam to secure thread.

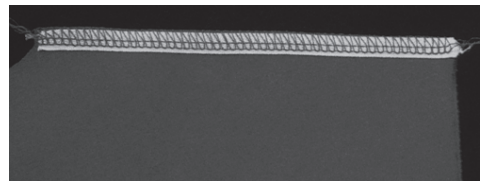
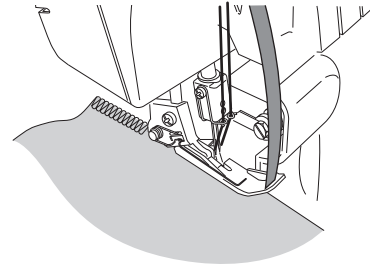
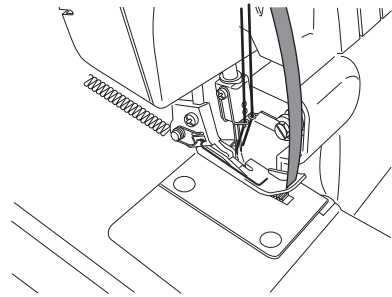
Note: To secure a rolled hem thread chain, see page 39.



How to Reinforce a Seam

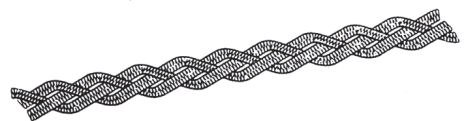
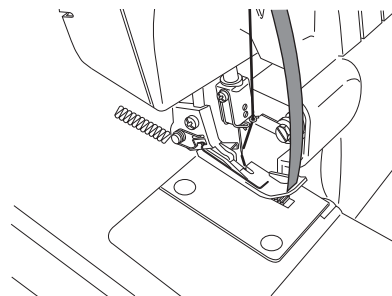
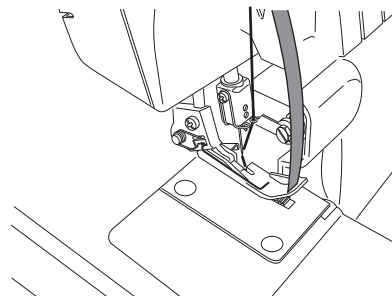
- Inserting twill tape while overedge sewing will stabilize the seam.
- Insert the tape through the hole in the front of the foot.
- Position the tape under the foot to the back of the machine and sew the garment seam.

- The tape is attached as the seam is sewn.



Braiding by Chaining Off

- Place the movable upper knife in nonworking position.
- Insert filler cord such as yarn or twill tape through the hole in the front of the foot.
- Position the filler cord under the foot and chain off the desired length.
- Chained off braids can be used individually or woven into 3 or 4 ply braids.



26. MACHINE MAINTENANCE

An overlock requires more maintenance than a conventional machine mainly due to two reasons.

- 1) A lot of lint is produced due to the cutting action of the knives.
- 2) An overlock runs at a very high speed and needs to be oiled frequently to lubricate the internal working parts.

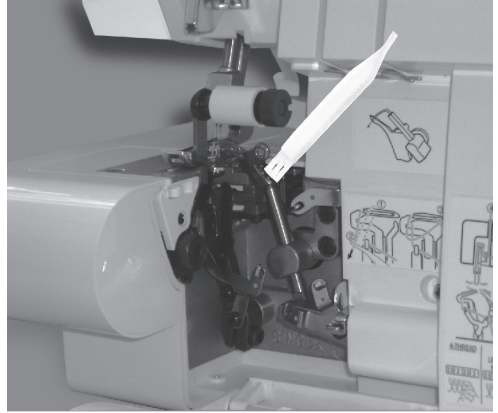
Cleaning the Machine



Danger:
Before cleaning your machine, disconnect power line plug from the wall receptacle.

- Clean the lint from the looper and knife area often with a dry lint brush.

Note: Lint brush is an optional part.



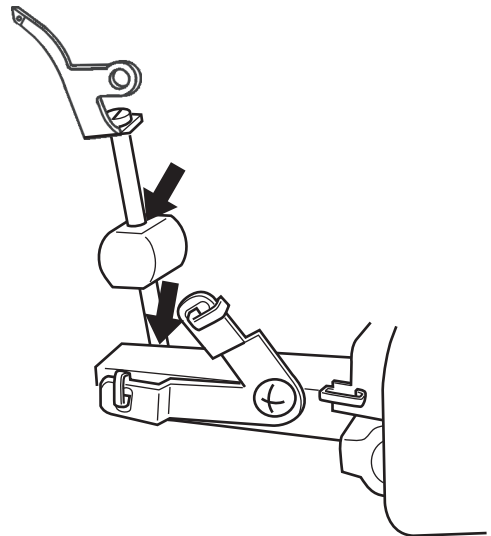
Oiling the Machine



Danger:
Before lubricating your machine, disconnect power line plug from the wall receptacle.

- The oiling points shown in the diagram, should be oiled periodically.

Note: Use sewing machine oil. Do not use any other oil or damage could result.

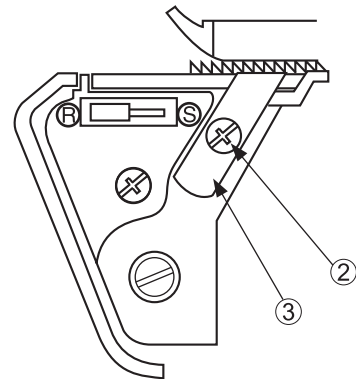
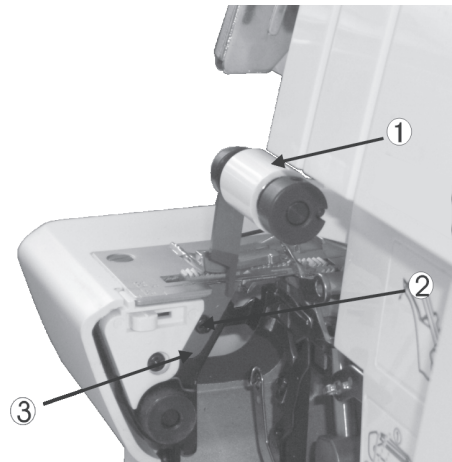


How to Replace the Stationary Knife



Danger:
Before replacing the stationary knife, disconnect power line plug from the wall receptacle.

- The stationary knife should be changed when it becomes dull.
- The stationary knife can be replaced according to the directions provided, however if there are any difficulties experienced, consult your Singer representative to make the adjustments.
- Be sure that the power line plug is disconnected from the electric source.
- Open the looper cover and set the movable upper knife 1 in the nonworking position (page 25).
- Loosen the stationary knife set screw 2 and remove the stationary knife 3 .
- Place a new stationary knife in the groove of the stationary knife holder.
- Tighten stationary knife set screw 2 .
- Return the movable upper knife 1 to its working position.



27. TROUBLE SHOOTING CHART

Problem	Solution	Page
Fabric does not feed well	- Lengthen stitch length.	21
	- Increase presser foot pressure for heavy weight fabric.	22
	- Decrease presser foot pressure for light weight fabric.	22
Needle breaks	- Insert needle correctly.	11
	- Do not pull fabric while sewing.	29
	- Tighten needle set screw.	11
	- Use a larger needle on heavy fabrics.	7
Thread breaks	- Check threading	12~19
	- Check for tangled or caught thread	20
	- Insert needle correctly	11
	- Insert new needle, current needle may be bent or have a blunt point.	7
	- Use a high quality thread.	50
Stitches skip	- Loosen thread tension.	31~39
	- Insert new needle, current needle may be bent or have a blunt point.	7
Irregular stitches	- Tighten needle set screw.	11
	- Insert needle correctly.	11
	- Change type or size of needle.	7
	- Check threading.	12~19
	- Increase presser foot pressure.	22
	- Use a high quality thread.	50
	- Balance thread tension.	31~39
Fabric puckers	- Check for tangled or caught thread.	20
	- Check threading.	12~19
	- Loosen thread tension.	31~39
Irregular trimming	- Check for tangled or caught thread	20
	- Use high quality light weight thread.	50
	- Shorten stitch length.	21
	- Decrease presser foot pressure for light weight fabrics.	22
	- Check alignment of knives.	48
Fabric jams	- Replace one or both knives.	48
	- Close looper cover before sewing.	9
Machine does not operate	- Check for tangled or caught thread	20
	- Compress thick layers of fabric with conventional machine before sewing with overlock.	
	- Connect machine to power source.	9

28. RELATIONSHIP BETWEEN CLOTH, THREAD AND NEEDLE

Type of Fabric	Type of Thread	Needle Singer Cat. No. 2022
Light Weight Lawn, Organdy, Voil, Crepe, etc.	Cotton: #100 Silk: #100 Spun: #80 - #90 Tetron: #80 - #100	#11
Medium Weight Muslin, Sheersucker, Satin, Gabardine, Broadcloth, etc.	Cotton: #60 - #80 Silk: #50 Spun: #60 - #80 Tetron: #60 - #80	#11, #14
Heavy Weight Oxford, Denim, Tweed, Corduroy, Serge	Cotton: #40 - #60 Silk: #40 - #60 Spun: #60 - #80 Tetron: #50 - #80	#16
Knit Tricot Jersey Wool (woven, knit)	Spun: #80 - #90 Tetron: #60 - #80	#11
	Spun: #60 - #80 Tetron: #60 - #80 Cotton: #60 - #80	#11, #14
	Spun: #60 - #80 Tetron: #50 - #60 Woolly nylon Woolly tetron	#11, #14

SINGER needle, Cat. No. 2022 is furnished with the machine. However, it is recommended that you select your needle in accordance with the material you are sewing.

29. SPECIFICATION

Item	Specification
Sewing speed Stitch length (feed amount) Differential feed ratio Overedge stitch width	1, 200±150 spm 1 ~ 4mm (standard: rolled hemming F - 2, ordinary overedge 3.0) 1:0.7 ~ 1:2 (with differential feed machine) Rolled hemming 1.5mm, ordinary overedge 3.0 ~ 6.7mm (standard 3.5mm)
Needle bar stroke Presser foot rise Needle	27mm 4.5 ~ 5.0mm SINGER Cat. No. 2022 #14 SINGER Cat. No. 2022 #16
Model Number of threads Machine dimensions (mm) Width Depth Height	X5004-HD 2,3,4 338 280 265
Weight (Kg)	6.2

X5004-HD (2 . 3 . 4 MAQUINA SOBREORILLADORA HEAVY DUTU)

Manual de Instrucciones

Introducción

Le agradecemos su compra de esta máquina de coser. Esta máquina destinada para uso doméstico le proporcionará un excelente rendimiento al coser material desde ligero a pesado (de lino a tela vaquera). Le rogamos consulte este folleto para un uso adecuado y un servicio óptimo. Para conseguir lo máximo de su máquina de coser, lea todo este manual del operador antes de manejar la máquina. Después familiarícese por sí mismo con la máquina siguiendo el manual del operador, página a página.

Para asegurarse que siempre dispone de las más modernas capacidades de costura, el fabricante se reserva el derecho a cambiar el aspecto, el diseño o los accesorios de esta máquina de coser, cuando lo considere necesario, sin notificación ni obligación por su parte.

IMPORTANTES INSTRUCCIONES DE SEGURIDAD



- Si el cable de alimentación eléctrica está dañado, deberá sustituirse por el fabricante o su servicio técnico autorizado o una persona de cualificación similar con el fin de evitar un peligro.
- Este aparato no está pensado para ser usado por personas (incluidos niños) con capacidades diferentes, físicas, sensoriales o mentales; o con falta de experiencia o conocimiento, a menos que se les haya dado supervisión o instrucción concerniente al uso de este aparato por una persona responsable por su seguridad.
- Deberá vigilarse a los niños para asegurarse de que no utilizan este aparato como un juguete.
- Desconectar o desenchufar la máquina cuando no se utilice.
- Antes de proceder a reparar la máquina debe desenchufarla.
- Si se funde la lámpara debe ser cambiada por un distribuidor autorizado.

Desecho apropiado de este producto



Esta marca indica que este producto no debe ser entregado con otros desechos domésticos en la Unión Europea. Para prevenir un posible daño al medio ambiente o a la salud humana por disponer desechos sin control, recicle responsablemente para promover la reutilización sustentable de materiales. Para devolver su aparato usado, por favor utilice sistemas de devolución y recolección o contacte al establecimiento donde compró el artículo en EU. Ellos pueden enviar el producto para un reciclaje seguro con el medio ambiente.

CE - Authorised Representative

VSM Group AB, SVP Worldwide

Drottningatan 2, SE-56184, Huskvarna, SWEDEN

IMPORTANTES INSTRUCCIONES DE SEGURIDAD

Al utilizar esta máquina, deberán seguirse unas precauciones de seguridad básicas, incluyendo lo siguiente:

Lea todas las instrucciones antes de utilizar la máquina.



PELIGRO! - Para reducir el riesgo de descargas eléctricas:

- La máquina nunca deberá dejarse sin vigilancia cuando esté enchufada. Desenchufar siempre de la toma eléctrica inmediatamente después de utilizarla y antes de limpiarla.



ADVERTENCIA! - Para reducir el riesgo de quemaduras, incendio, descargas eléctricas o lesiones a personas.

- Asegurarse de que la tensión eléctrica de la toma de corriente (receptáculo de pared) es la misma que la tensión nominal del motor.
- Utilizar esta máquina solamente para su uso previsto, tal como se describe en esta Guía del Operador. Utilizar solamente las conexiones recomendadas como el fabricante, tal como se contiene en la Guía del Operador.
- Para desconectar, girar todos los mandos a la posición de apagado ("0") y a continuación, desenchufar de la toma de corriente.
- Desconectar el cable de alimentación desde la toma de corriente o desconecte la máquina al efectuar cualquier ajuste en la zona de la aguja, tales como enhebrado de aguja y ojo-guía, cambio de aguja, cambio de place de aguja o cambio del prensatelas, etc.
- Desenchufar siempre la máquina desde la toma de corriente cuando retire las tapas, al lubricar o cuando efectúe cualesquiera otros ajustes de revisión mencionados en la Guía del Operador.
- No intente ajustar la correa del motor. Póngase en contacto con el Centro de Servicio más cercano si necesita hacer algún ajuste.
- No desenchufe la máquina tirando del cable. Para desenchufar, agarre el enchufe y no el cable.
- Maneje el controlador del pedal con cuidado y evite que se caiga al suelo. Asegurarse no colocar nada encima del mismo.
- Utilice siempre la placa de aguja adecuada. Una placa gastada puede hacer que la aguja se rompa.
- No utilizar agujas dobladas.
- Al coser, mantenga sus dedos alejados de las piezas en movimiento. Se precisa un cuidado especial sobre la aguja de la máquina de coser.
- No empuje ni tire de la tela mientras realiza puntadas. Puede doblar la aguja haciendo que se rompa.
- Utilizar solamente el asa manual para levantar y mover la máquina.
- Nunca haga funcionar la máquina si tiene un cable o enchufe dañados, si no funciona adecuadamente, si se ha caído o dañado o si ha caído dentro del agua. Devuelva la máquina al concesionario autorizado más cercano o Centro de Servicio Técnico para examen, reparación, ajuste eléctrico o mecánico.
- Nunca haga funcionar la máquina con las salidas de aire bloqueadas. Mantenga las aberturas de ventilación de la máquina y el controlador del pedal, libres de acumulación de hilachas, polvo y ropa suelta.
- Nunca deje caer ni introduzca objetos en cualquier abertura.

- No la utilice al aire libre.
- No la utilice cuando se estén empleando productos en aerosoles (spray) o cuando se está administrando oxígeno.
- No permita que se utilice como un juguete. Es necesario prestar la máxima atención cuando la máquina se utilice por o cerca de niños.
- No exponga la máquina o su maleta portátil de plástico a la luz directa del sol. Asimismo, no la deje en un lugar muy caliente o húmedo.
- No toque la máquina, el controlador del pedal y el cable de alimentación con manos húmedas, ropas húmedas o cualquier otra cosa húmeda.
- No conecte el cable de alimentación a uno de los muchos cables conectados a una toma de corriente con adaptadores.
- Utilizar la máquina sobre una mesa plana y estable.
- Mantener el prensatelas y las agujas fuera del alcance de los niños.
- No desmonte ni modifique la máquina por usted mismo.
- Asegúrese de poner en la posición 'off' el interruptor de encendido y desconectar el cable de alimentación antes de prestar servicio a su máquina, tal como se recomienda en la guía del operador.

Esta máquina puede ser utilizada por niños de 8 años en adelante y por personas con alguna discapacidad física, sensorial o mental o sin la experiencia y los conocimientos necesarios en el caso de que hayan sido supervisados o recibido instrucciones sobre el uso de la máquina de manera segura y entiendan los peligros que implica. Los niños no deben jugar con la máquina. La limpieza y el mantenimiento del usuario no deben ser realizados por niños sin supervisión.

La máquina solamente se debe usar con un pedal de tipo GTC/HKT 72C (220-240V), GTE/HKT 7 (100-120V) fabricado por DANYANG GUOTI MOTOR & APPLIANCE CO., LTD/ZHEJIANG HUAXING ELECTRIC MOTOR CO.,LTD.

GUARDE ESTAS INSTRUCCIONES

El servicio debe realizarse por un servicio técnico autorizado

Este producto no es para uso Industrial

PARA TERRITORIOS EUROPEOS Y SIMILARES

Las máquinas para Gran Bretaña y algunos otros países, que tengan normas de cableado similares, se envían desde fábrica sin enchufe para conexión a la red principal. Los cables en estas redes se colorean de acuerdo con el siguiente código:

Azul: neutro (N) Marrón: cable con corriente (L)

Puesto que los colores de los cables de conducción de corriente de este equipo puede que no se correspondan con las marcas coloreadas que identifican los terminales en su enchufe, proceda como sigue:

El cable con color azul debe conectarse al terminal que está marcado con la letra N o colorado en negro.. El cable de color marrón debe conectarse al terminal que está marcado con la letra L o de color rojo. Si se utiliza un enchufe de 13 Amp. (BS 1363), debe instalarse un fusible o si se utiliza cualquier otro tipo de enchufe, deberá instalarse un fusible de 3 Amp. en el enchufe o en el adaptador o en el cuadro de distribución.

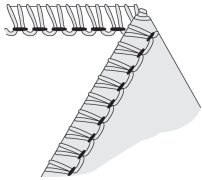
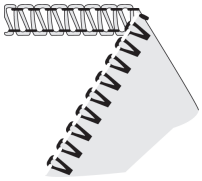
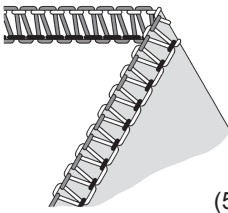
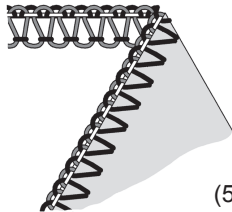
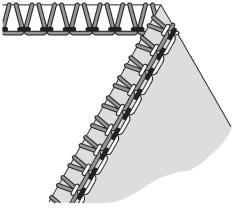
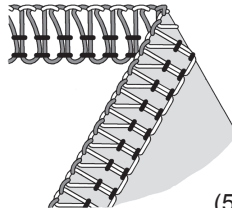
Ningún cable ha de conectarse a cada terminal de tierra de un enchufe de tres patillas.

INDICE

	Página		Página
1. Selección de puntadas	5	22. Inicio y finalización de las costuras.....	30
2. Tabla de referenciarpida	6	23. Método sugerido de montaje de tensión.....	31
3. Accesorios.....	7	1) Esta puntada de envoltura de ruedo	
4. Información de agujas.....	7	usa 2 hilos	31
5. Componentes principales	8	2) La norma para la puntada del ruedo	
6. Cómo abrir la tapa del ojo-guía.....	9	enrollado es 2 hilos	32
7. Componentes principales más allá de la tapa		3) Sobreorillado de 3hilos.....	33
de ojo-guía	9	4) Costura plana de 3 hilos	34
8. Preparación antes de coser	9	5) Sobreorillado envuelto de 3 hilos.....	35
9. Preparación para el enhebrado.....	10	6) Faixa puntada de seguridad ultra elástica de	
Cómo ajustar el soporte del guíahilos	10	4 hilos	36
10. Cómo retirar e insertar agujas.....	11	24. Cómo coser un dobladillo enrollado.....	37
Para retirar agujas	11	1) Esta puntada de envolture de ruedo	
• Para insertar agujas	11	usa 2 hilos	38
11. Cómo enhebrar la máquina	12	La norma para un ruedo enrollado de 2 hilos ...	38
Diagrama de enhebrado.....	12	2) Puntada de dobladillo enrollado estándar	
• Entendimiento del código de colores	12	de 3 hilos.....	39
• Cómo enhebrar correctamente la máquina.....	12	Puntada de dobladillo enrollado envuelto	
• 1) Enhebrado del ojo-guía superior (naranja)...	12	de hilo en ojo-guía superior a 3 hilos.....	39
2) Enhebrado del ojo-guía inferior (amarillo).....	14	25. Variaciones de puntadas y técnicas para coser... 41	
3) Enhebrado de la aguja derecha (verde).....	16	• Cómo coser una costura decorativa plana	41
4) Enhebrado de la aguja izquierda (azul)	18	• Cómo coser un dobladillo ciego	43
Información importante sobre el enhebrado	19	• Cómo coser pegueños pliegues	43
12. Como cambiar los hilos/método para atadura	20	• Cómo girar esquinas cuadradas	44
13. Cómo ajustar la longitud de la puntada.....	21	• Colocación de alfileres	45
14. Cómo ajustar el ancho de lacostura	21	• Fijación de la cadena de hilo.....	45
Ajuste del ancho cambiando la posición de aguja...21		• Cómo reforzar una costura	46
• Ajuste del ancho con el mando de ajuste	21	• Trenzado de cadeneta	46
15. Como ajustar la presión del prensatelas	22	26. Mantenimiento de la máquina	47
16. Transporte diferencial	23	• Limpieza de la máquina.....	47
Sobreorillado fruncido.....	23	• Aceitado de la máquina.....	47
• Sobreorillado extensible.....	24	• Cómo sustituir la cuchilla fija.....	48
17. Cómo desacoplar la cuchilla superior móvil	25	27. Diagrama de localización de averías	49
18. Convirtiendo la ancora superior a un separador ...	26	28. Relación entre tipos de telas, hilos y agujas.....	50
19. Costura de brazo libre (Trabajo tubular)	27	29. Especificaciones.....	51
20. Sobreorillado estándar y puntada de dobladillo			
enrollado.....	28		
Cómo coser un sobreorillado estándar	28		
Cómo coser un dobladillo enrollado.....	28		
21. Cadeneta y costura de prueba	29		

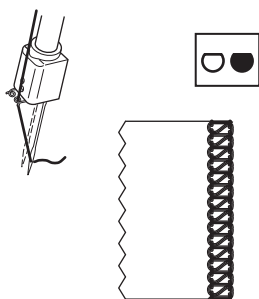
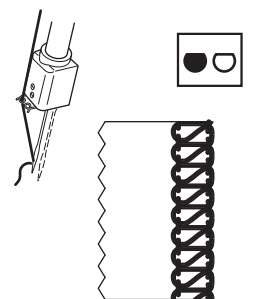
1. SELECCIÓN DE PUNTADAS

Esta máquina es capaz de obtener varios tipos de puntadas de acuerdo con la combinación de las posiciones de la aguja, métodos de enhebrado y ajuste de la tensión.


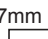







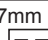

Type de point			page de reference	
1. Dos hilos cubridor de orilla del pespunte.		(502)	Una aguja de dos hilos puntada es usada en trabajos con telas livianas o en tejidos. También a 3.5mm y 5.7mm a lo ancho de la puntada la orilla del pespunte puede ser cambiada cambiando la posición de la aguja.*	31
2. Dos hilos lo normal para el dobladillo del ruedo.		(503)	Una aguja de dos hilos puntada es usada para costura de fileteadora, puntada invisible a la orilla terminada. También a 3.5mm y 5.7mm para hacer la costura normal para el dobladillo del ruedo, esto lo puede obtener cambiando la posición de la aguja.*	32
3. Sobreorillado de tres hilos		(504)	Se utiliza una puntada de 3 hilos, con una aguja, para sobreorillado y costura en telas normales. También puede obtenerse una costura de sobreorillado de 3,5 mm y 5,7 mm de ancho cambiando la posición de la aguja.*	33
4. Costura plana de tres hilos		(505)	Se utiliza una puntada de tres hilos, con una aguja, para costuras de bordes encarados o cargadas y puntos decorativos. También puede obtenerse una costura plana de 3,5 mm y de 5,7 mm cambiando la posición de la aguja.*	34
5. Sobreorillado borde envuelto tres hilos		(514)	Se utiliza una puntada de 3 hilos, con 1 aguja, para coser dobladillos enrollados estrechos u orillas decorativas. También puede obtenerse una costura envuelta con sobrorillado de 3,5 mm y 5,7 mm de ancho cambiando la posición de la aguja.*	35
6. Puntada de seguridad falso elástico cuatro hilos		(514)	Puntada de 4 hilos, con 2 agujas, que es ideal para telas extensibles medias a pesadas, tales como tejidos de punto doble y trajes de baño.	36

Dependiendo de las posiciones de la aguja utilizadas, esta máquina puede coser con sobreorillado estándar de 3 hilos con un ancho de 3,5 mm y costuras de sobreorillado de 5,7 mm de ancho.

También, para sobreorillar telas pesadas, El ancho de la costura ancha puede incrementarse todavía más girando el mando de ajuste del ancho de la costura de sobreorillado. (Ver Página 21)

Ancho de sobreorillado	3,5mm	5,7mm
Aguja utilizada	Aguja de sobreorillado derecha	Aguja de sobreorillado Izquierda
Dial de tensión del hilo de aguja	Verde 	Azul 

2. TABLA DE REFERENCIA MANUAL

Tipo de puntada		Posiciones de aguja	Dial de tensión; los números mostrados son ajustes medios en telas de peso medio con hilo de viscosilla con el 80% de poliéster estándar.				Separador/ Ojo-guía superior	Página
			Azul	Verde	Naranja	Amarillo		
1	Dos hilos cubridor de orilla del pespunte. (502)	3.5mm 		4.0		2.0	Separador	31
		5.7mm 	3.5			1.0	Separador	
2	Dos hilos lo normal para el dobladillo del ruedo. (503)	3.5mm 		0.5		6.0	Separador	32
		5.7mm 	0.5			5.0	Separador	
3	Sobreorillado de tres hilos (504)	3.5mm 		3.0	3.0	3.0	Ojo-guía superior	33
		5.7mm 	3.0		3.0	3.0	Ojo-guía superior	
4	Costura plana de tres hilos (505)	3.5mm 		0.5	5.0	7.0	Ojo-guía superior	34
		5.7mm 	0.5		5.0	7.0	Ojo-guía superior	
5	Sobreorillado envuelto de tres hilos	3.5mm 		3.0	1.0	7.0	Ojo-guía superior	35
		5.7mm 	5.0		0	8.5	Ojo-guía superior	
6	Falsa puntada de seguridad-ultra elástica de cuatro hilos (514)		3.0	3.0	3.0	3.0	Ojo-guía superior	36

La tensión del hilo se hace mayor a medida que los diales se giren a números más altos. Los ajustes de tensión mostrados en esta página así como a través del manual del operador son guías recomendadas. Hay que ajustar las tensiones del hilo para adaptarse a la tela y el tamaño del hilo que se utiliza. Para obtener mejores resultados, hay que efectuar los ajustes de tensión en pequeños incrementos de no más de la mitad de un número a la vez.

3. ACCESORIOS

Los accesorios están contenidos en el cartón.

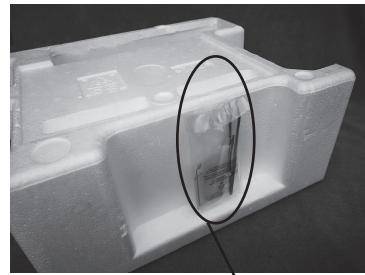
	X5004-HD
1 Juego de agujas	1
2 Destornillador pequeño	1
3 Pinzas	1
4 Separador	1
5 Cepillo de pelusa con orificio para montar la aguja	1
6 Cuchilla inferior de repuesto	1
7 Bolsa para desperdicio (en la caja de cartón)	1

Puede guardar estos accesorios en la placa de tela después de abrir la caja.

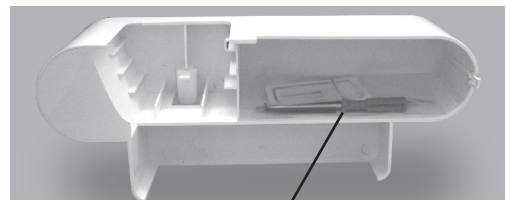
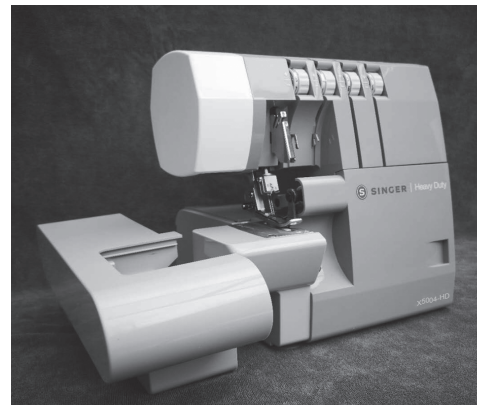
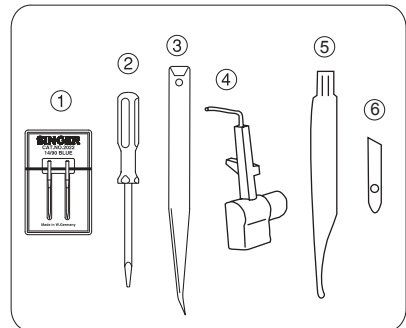
4. INFORMACION SOBRE LA AGUJA

- Aguja SINGER #2022 tamaño 100/16 (montada en la máquina) y tamaño 90/14 (en el compartimiento de accesorios) son provistos con la máquina.
- Aguja SINGER #2022 tamaño 100/16 son recomendadas para usarse con tejidos pesados. Se recomienda cambiar el tamaño de las agujas para trabajar con tejidos ligeros. Por favor refiérase a la página 50 para encontrar más información de la relación entre los tejidos, hilos y agujas.
- En una emergencia, puede utilizarse la aguja SINGER N° 2020.

Sin embargo, a menos que se reajuste la tensión sugerida, puede producirse una falta de puntadas.



Los accesorios

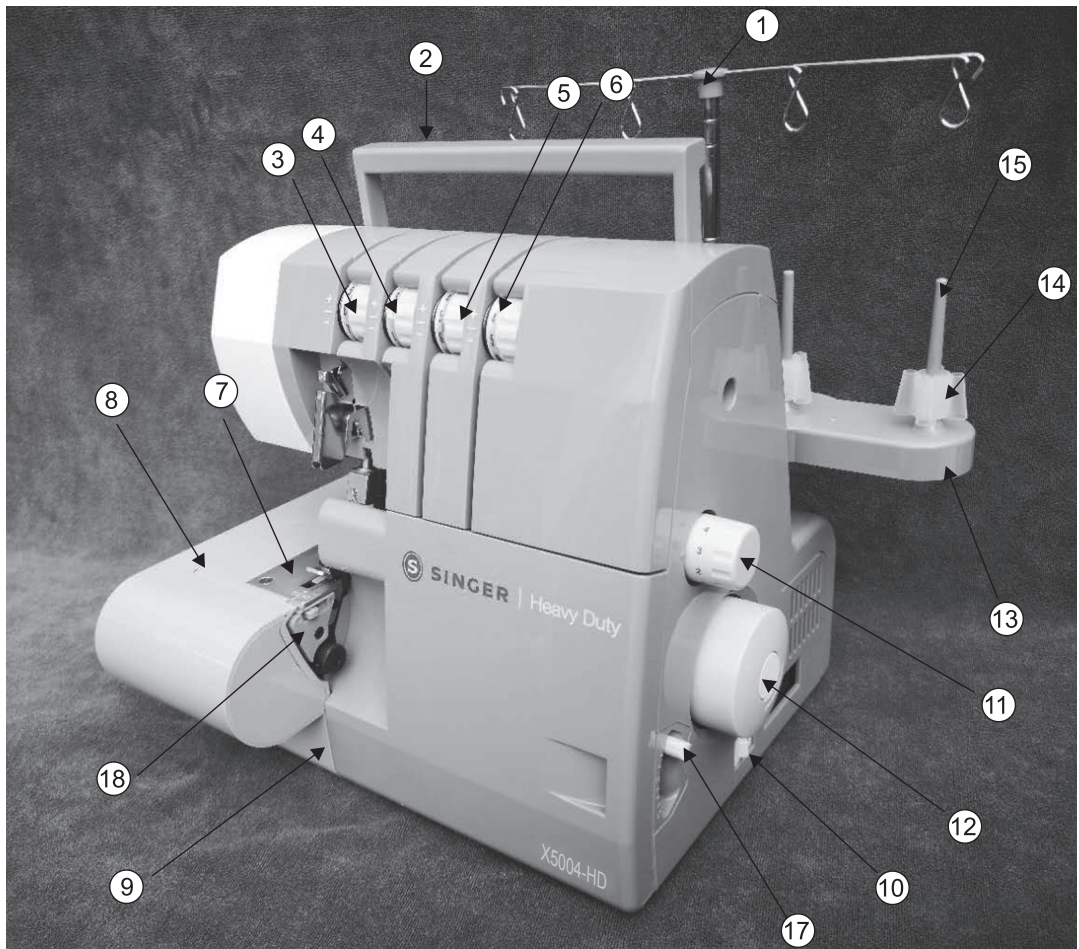
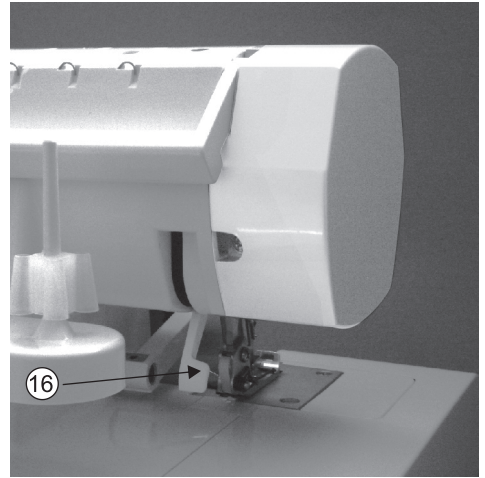


guardar estos accesorios

	Aguja SINGER n° 2022
Tamaños disponibles	80/11 90/14 100/16

5. COMPONENTES PRINCIPALES

1. Guías de hilos y portaguías
2. Asa de transporte
3. Dial de tensión del hilo de la aguja izquierda (azul)
4. Dial de tensión del hilo de la aguja derecha (verde)
5. Dial de tensión del hilo del ojo-guía superior (naranja)
6. Dial de tensión del hilo del ojo-guía inferior (amarillo)
7. Place de agujas
8. Place de transporte de la tela
9. Tapa del ojo-guía
10. Interruptor de encendido y de la luz
11. Dial de longitud de la puntada
12. Volante de mano
13. Soporte de carretes
14. Portacarretes
15. Pasador portacarrete
16. Elevador de barra de prensatelas
17. Mando de palanca de ajuste del transporte diferencial
18. Placa de soporte de dedo del ancho de la costura



6. COMO ABRIR LA TAPA DEL OJO-GUÍA



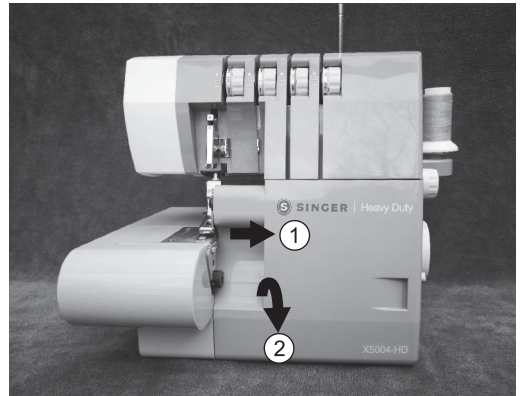
Precaución:
Asegúrese de desconectar la alimentación de electricidad.

- Empuje la tapa a la derecha de manera que pase a la posición (1).

Tire hacia abajo de la tapa en dirección a usted (2).

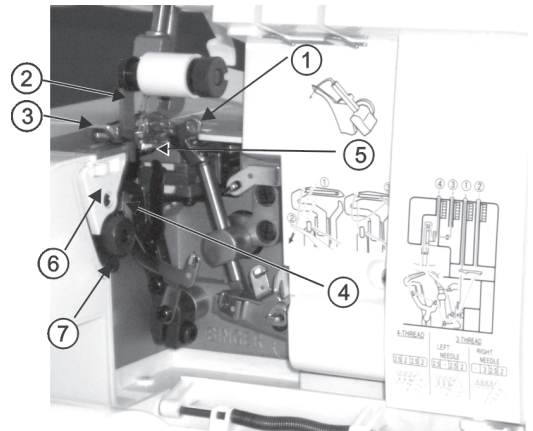


Precaución:
Asegúrese de que la tapa del ojo-guía está cerrada cuando cose.



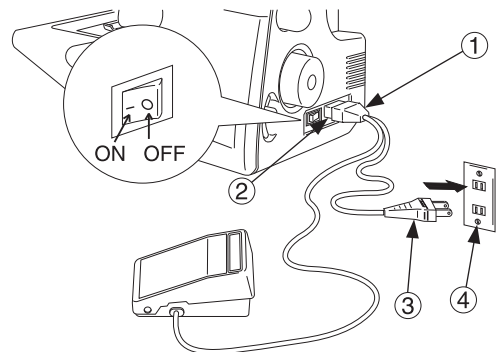
7. COMPONENTES PRINCIPALES DETRÁS DE LA TAPA DEL OJO-GUÍA

1. Ojo-guía superior
2. Cuchilla superior móvil
3. Prensatelas
4. Cuchilla inferior fija
5. Ojo-guía inferior
6. Mando de ancho de costura
7. Mando de ajuste de ancho de costura



8. PREPARACION ANTES DE LA COSTURA.

- Conecte el controlador/enchufe eléctrico (1) al receptáculo de la máquina (2).
- Enchufe el cable de alimentación 3 en la toma eléctrica (4).
- Interruptor de encendido:
Pulse el lado de marca “-” para encender “ON”.
Pulse el lado de marca “O” para apagar “OFF”.
- Para hacer funcionar la máquina y controlar la velocidad, presione el controlador.
- Cuando más fuerte presione, tanto más rápida coserá la máquina
- Para detener la costura de la máquina de coser, retire los pies del controlador.



ADVERTENCIA:

Utilice solamente el controlador de pie suministrado con la máquina (YC - 482 para USA y CANADA solamente). Asegúrese de consultar la “advertencia” de la página siguiente.

INFORMACION SOBRE CONECTOR POLARIZADO (PARA ESTADOS UNIDOS Y CANADÁ SOLAMENTE)

Esta máquina tiene un conector polarizado (una clavija más ancha que la otra). Para reducir el riesgo de sacudidas eléctricas, este conector está previsto para insertarse en una toma de corriente polarizada de una sola manera posible. Si el conector no se inserta completamente en la toma de corriente, hay que invertir el conector. Si todavía no se inserta adecuadamente, hay que acudir a un electricista autorizado para que instale una toma de corriente apropiada. No modificar el conector en manera alguna.



Advertencia:

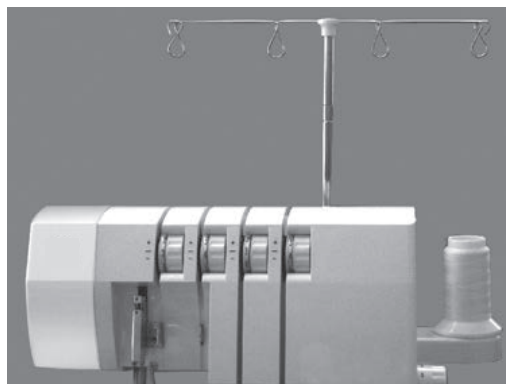
- Cerciorarse de que la tensión eléctrica de la toma de corriente (enchufe de pared) es la misma que la tensión nominal del motor.
- Manejar con cuidado el controlador de pedal y evitar que se caiga al suelo. Asegurarse de no colocar nada encima cuando no esté en uso.
- Desconectar el conector de la línea de alimentación desde la toma de corriente cuando se cambie las agujas, el prensatelas o las placas de agujas o cuando deje la máquina sin nadie que la atienda. Así se elimina la posibilidad de arrancar la máquina presionando accidentalmente el controlador.

9. PREPARACION PARA EL ENHEBRADO

Ajuste del portaguía-hilo

- Esta máquina se envía con el portaguía-hilo en posición de bajada.
- Extienda completamente el portaguía-hilo.
- Las dos juntas de la mirilla telescópica encajarán en su lugar, con un chasquido, cuando estén correctamente situadas.
- Centre las guías-hilo por encima del portacarretes.
- Coloque el hilo sobre los adaptadores de cono en el portacarretes.

Nota: Si la máquina está enhebrada, reforzar los hilos para impedir que se enrede.



10. CÓMO RETIRAR E INSERTAR AGUJAS

Para retirar las agujas



Precaución:
Asegúrese de desconectar la máquina desde la toma eléctrica antes de retirar las agujas.

- Gire la manivela hacia usted hasta que la aguja esté en su posición más elevada.

- Afloje, pero no retire el tornillo de ajuste de la aguja con el destornillador pequeño.

1. Tornillo de ajuste de aguja, lado izquierdo
2. Tornillo de ajuste de aguja, lado derecho
3. Aguja lado izquierdo
4. Aguja lado derecho

- Retire las agujas.

Para insertar agujas

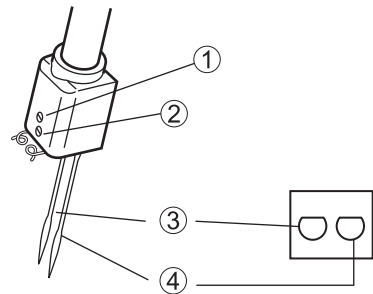
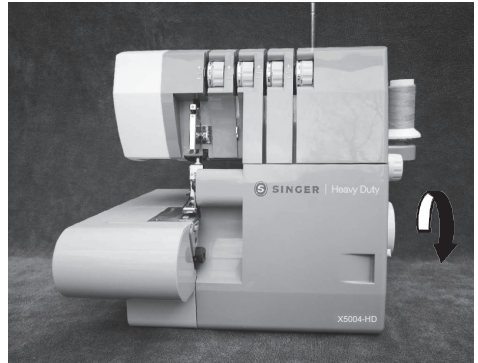
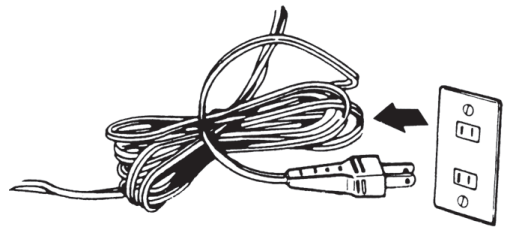


Precaución:
Asegúrese de desconectar la máquina desde la toma eléctrica antes de sustituir las agujas.

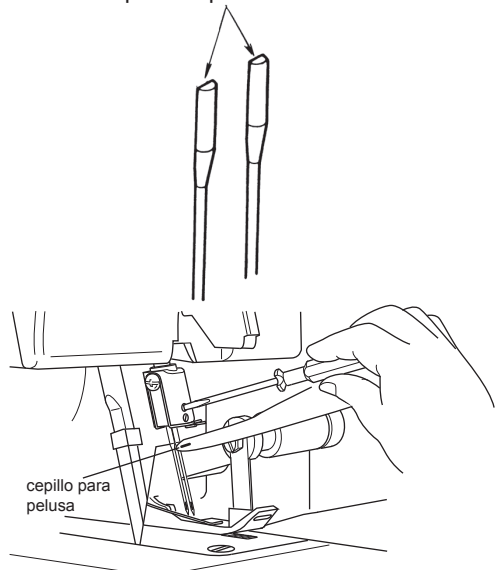
- Sostenga la aguja con la superficie plana en la parte posterior.
- Inserte la aguja en la abrazadera de aguja tan lejos como pueda llegar.
- Apriete fijamente el tornillo de ajuste de aguja.

Note: * Esta máquina utiliza agujas del nº 2022. Consulte la página 7 para información adicional sobre las agujas.

- * Retire la place de la tela si encuentra difícil retirar y sustituir la aguja.



Superficie plana hacia atrás.



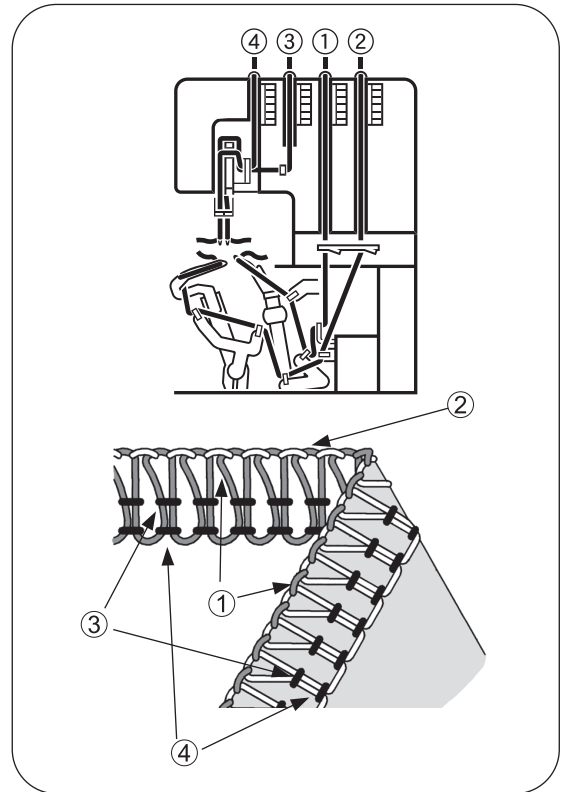
11. ENHEBRADO DE LA MAQUINA

Diagrama de enhebrado

- Dentro de la tapa del ojo-guía se encuentra un diagrama de enhebrado codificado en colores para una consulta rápida.
- Enhebre la máquina en el orden del 1 al 4, como se muestra

Entendimiento del código de colores

1. Hilo de ojo-guía superior ... Naranja
2. Hilo de ojo-guía inferior.....Amarillo
3. Hilo de aguja derecha Verde
4. Hilo de aguja izquierda.....Azul



Para enhebrar correctamente la máquina

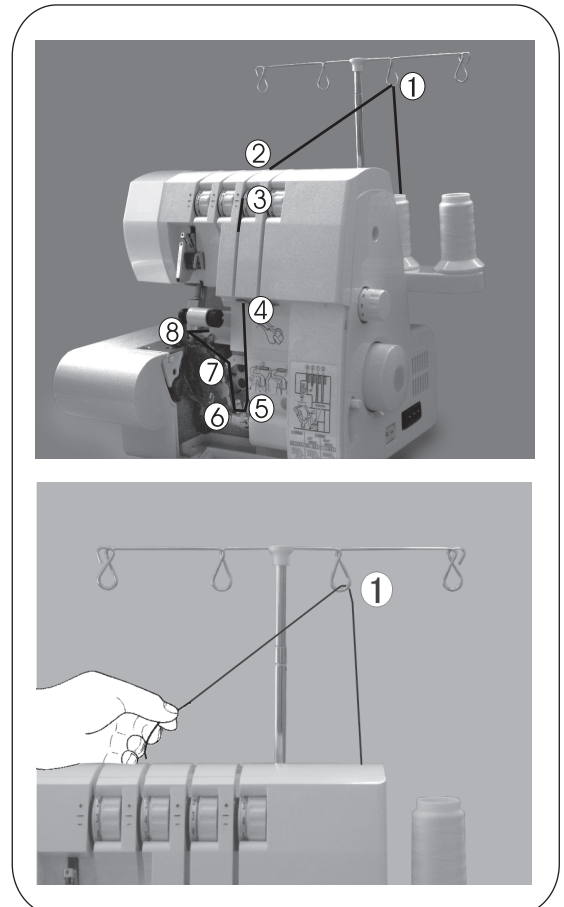


Precaución:
Asegurarse de desconectar la alimentación de corriente.

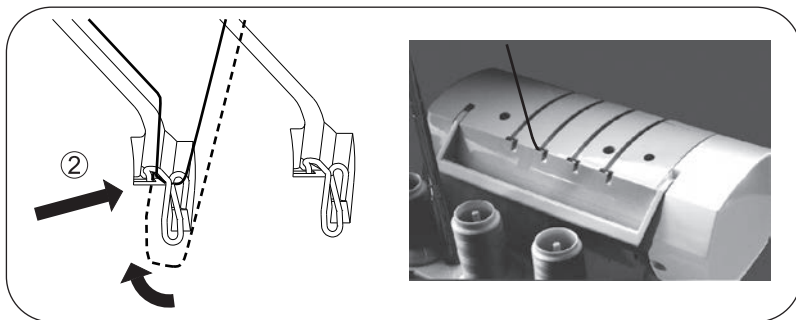
Prensatelas necesita estar arriba antes de enhebrar. Usted NECESITA enhebrar de nuevo los 4 hilos si uno se rompe.

1) Enhebrado del ojo-guía superior (naranja)

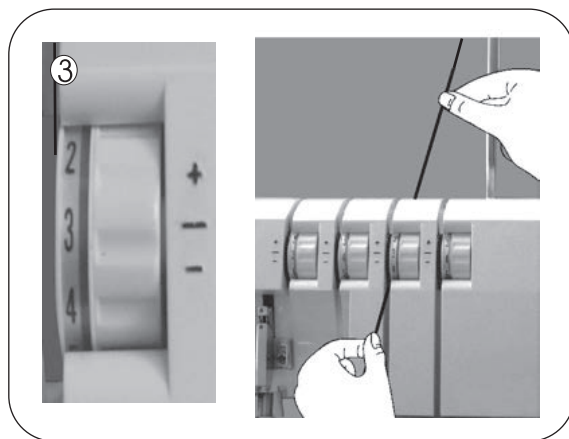
- Enhebre el ojo-guía superior como se indica de 1a8.
- Pase el hilo desde atrás a la parte frontal a través del guíahilos 1.



- Enhebre el guía hilo de la tapa superior tirando del hilo hacia abajo hasta que se deslice por debajo del guíahilos 2.



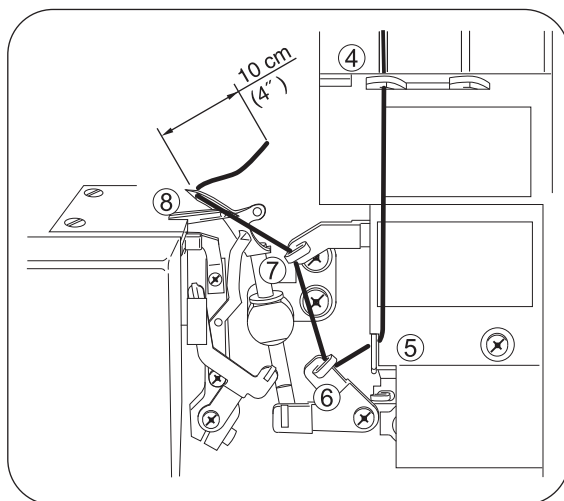
- Mientras sujeta el hilo con el dedo, páselo entre los discos de tensión y tire del hilo hacia abajo para asegurarse de que está adecuadamente situado entre los discos de tensión 3.



- Enhebre la zona del ojo - hilo de la máquina siguiendo las guías-hilo codificadas de color naranja (4 a 7).
- Enhebre el orificio en el ojo-guía superior desde delante hacia atrás 8.

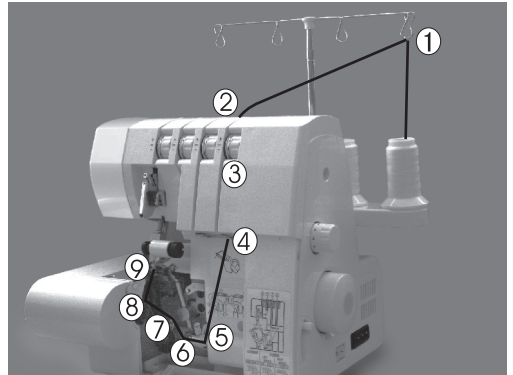
Nota: Utilizar las pinzas incluidas en el juego de accesorios como ayuda para enhebrar el ojo-guía.

- Saque tirando unos 10 cm (4 pulgadas) de hilo a través del ojo-guía y colocarlo en la parte posterior de la place de aguja.

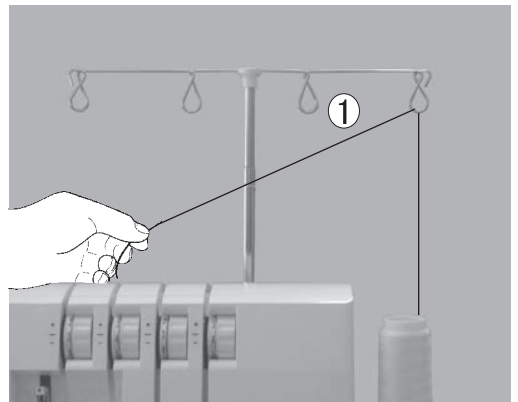


2) Enhebrado del ojo-guía inferior (amarillo)

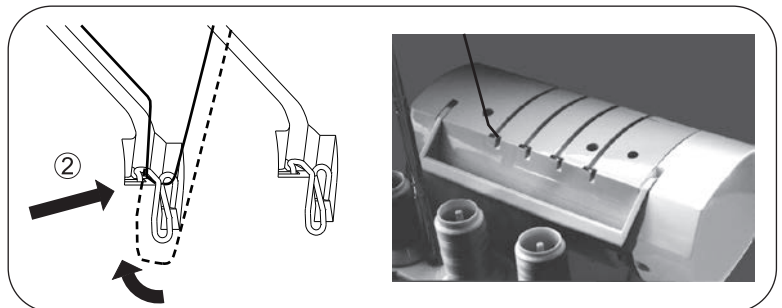
- Enhebre el ojo-guía inferior como se indica 1 a 9.



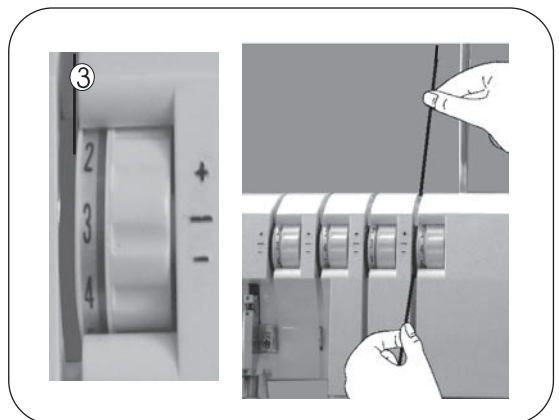
- Pase el hilo desde atrás hacia delante a través del guíahilos 1.



- Enhebre el guíahilos de la tapa superior tirando del hilo hacia abajo hasta que se deslice por debajo del guíahilos 2.



- Mientras sujeta el hilo con el dedo, páselo entre los discos de tensión y tire del hilo hacia abajo para asegurarse de que está adecuadamente situado entre los discos de tensión 3.



- Gire el volante hacia usted hasta que el ojo-guía inferior esté en la parte alejada a la derecha.

- Enhebre la zone del ojo-guía de la máquina siguiendo las guías-hilo codificadas en color amarillo, 4 a 7.

Nota: Utilizar las pinzas incluidas en el juego de accesorios para ayudar a enhebrar el ojo-guía.

- Agarre el hilo con las pinzas 4 cm (1.5 ') desde la guíahilos 7.
- Coloque el hilo con la punta de las pinzas ligeramente por debajo y a la izquierda de la guía de enhebrado 8.
- Tire del hilo hacia arriba y dentro de la guíahilos 8.

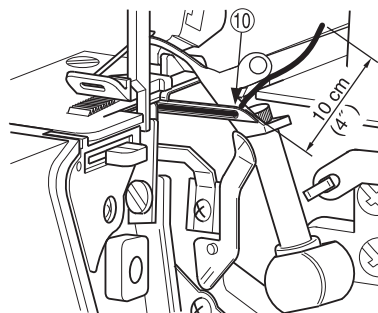
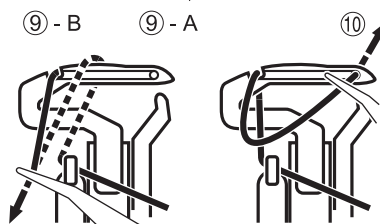
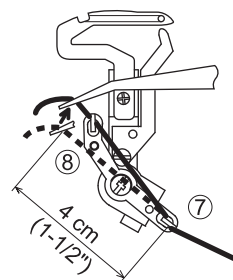
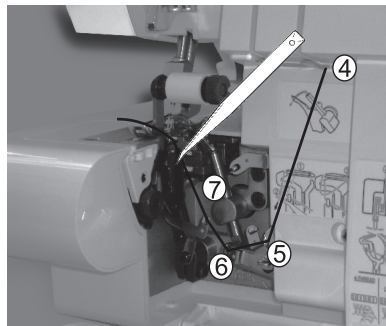
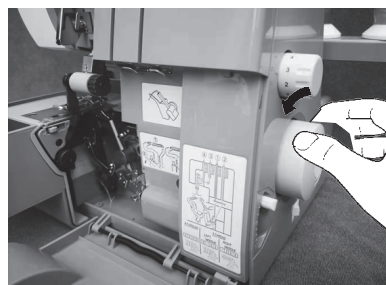
- Pase el hilo por detrás y por encima del extremo final del ojo-guía izquierdo 9-A.
- A continuación tire suavemente del hilo hacia abajo de manera que se deslice en la ranura del ojo-guía 9-B.

- Coja el hilo y páselo a través del orificio del extremo del ojo-guía 10.

Nota: Utilice las pinzas incluidas en el juego de accesorios para ayudar a enhebrar el ojo-guía.

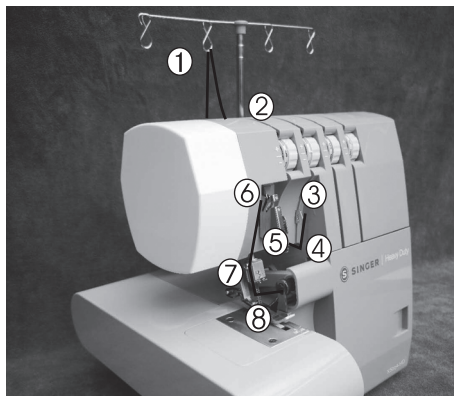
- El hilo debe situarse en la ranura del ojo-guía inferior.

- Tire unos 10 cm (4 pulgadas) de hilo a través del ojo-guía y colóquelo sobre la parte superior del ojo-guía superior y en la parte posterior de la placa de aguja.

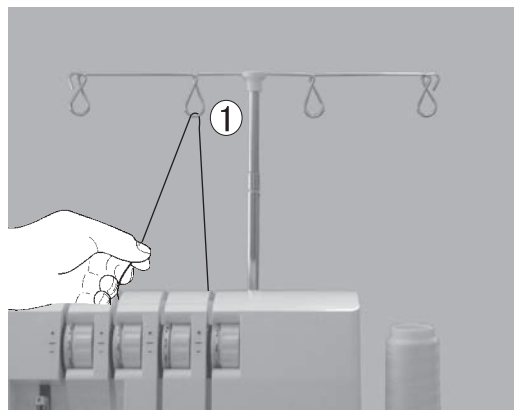


3) Enhebrado de la aguja derecha (verde)

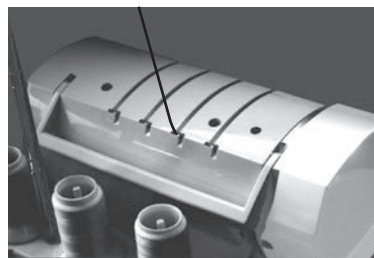
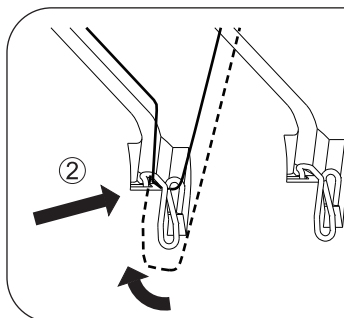
- Enhebre la aguja derecha como se indica 1 a 8.



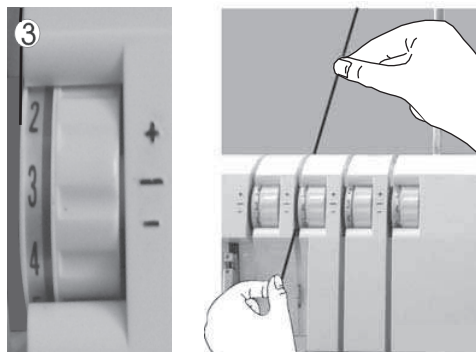
- Pase el hilo desde atrás hacia delante a través del guíahilos 1.



- Enhebre el guíahilos de la tapa superior tirando del hilo hacia abajo hasta que se deslice por debajo del guíahilos 2.

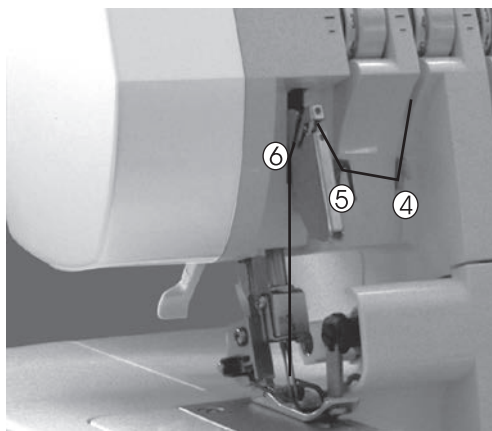


- Mientras sujeta el hilo con el dedo, páselo entre los discos de tensión y tire del hilo hacia abajo para asegurarse de que está adecuadamente situado entre los discos de tensión 3.



- Continúe a los puntos de hilo 4 a 7.

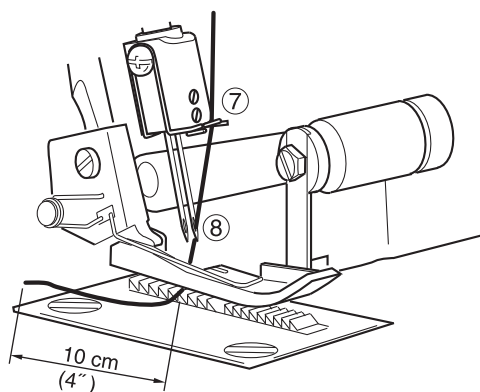
Nota: Asegurarse de pasar el hilo a través del eco-rido del hilo superior de la guíahilos 6.



- Enhebre el ojo de la aguja derecha 8.

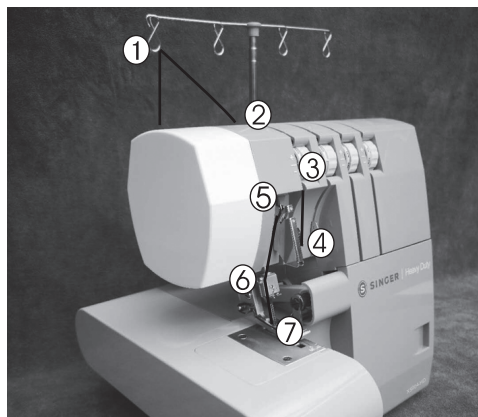
Nota: Utilice las pinzas del juego de accesorios hará más fácil el enhebrado en el ojo de la aguja.

- Saque tirando unos 10 cm (4 pulgadas) de hilo a través del ojo de la aguja para que cuelgue libre.
- Colocar el hilo en la parte posterior, bajo el prensatelas.

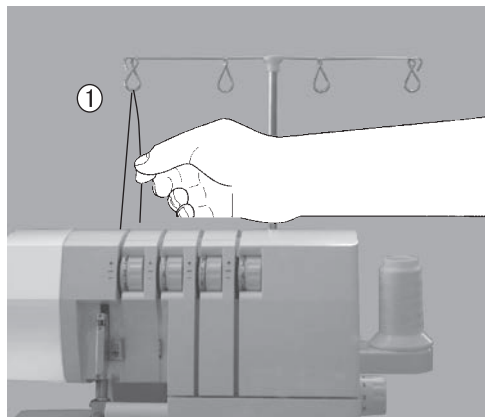


4) Enhebrado de la aguja izquierda (azul)

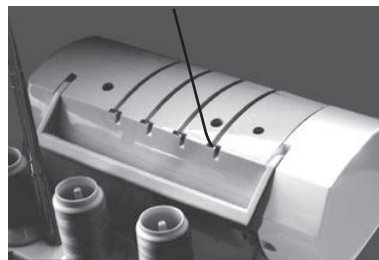
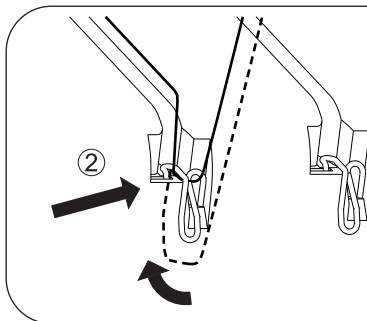
- Enhebre la aguja izquierda como se indica 1 a 7.



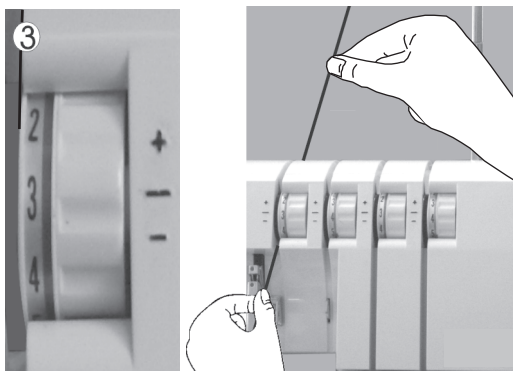
- Pase el hilo desde atrás hacia delante a través del guíahilos 1.



- Enhebre el guíahilos de la tapa superior tirando del hilo hacia abajo hasta que se deslice por debajo del guíahilos 2.

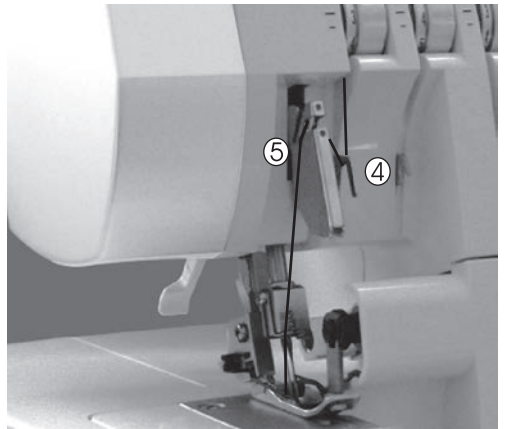


- Mientras sujeta el hilo con el dedo, páselo entre los discos de tensión y tire del hilo hacia abajo para asegurarse de que está adecuadamente situado entre los discos de tensión 3.



- Continúe a los puntos de hilo 4 a 6.

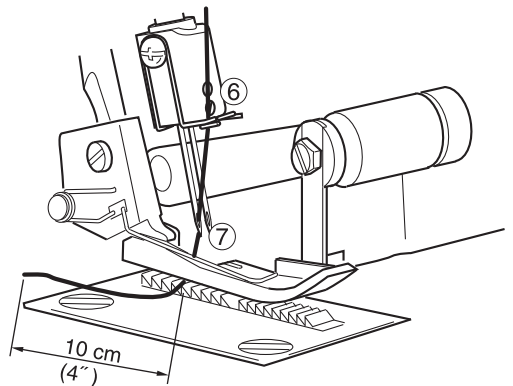
Note: Asegurarse de pasar el hilo a través del recorrido inferior del hilo de la guíahilos 5.



- Enhebre el ojo de la aguja izquierda 7.

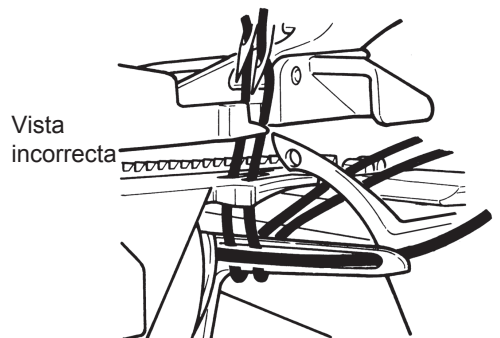
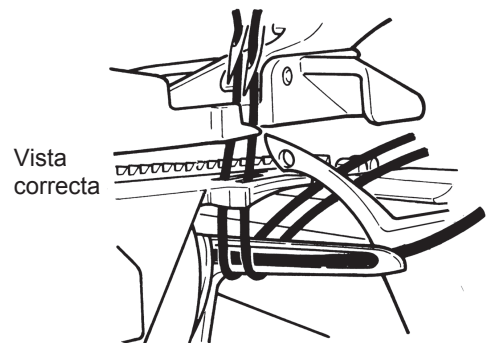
Nota: Utilizar las pinzas del juego de accesorios hará más fácil el enhebrado en el ojo de la aguja.

- Saque tirando unos 10 cm (4") de hilo a través del ojo de la aguja para que cuelgue libre.
- Coloque el hilo en la parte posterior, bajo el prensatelas.



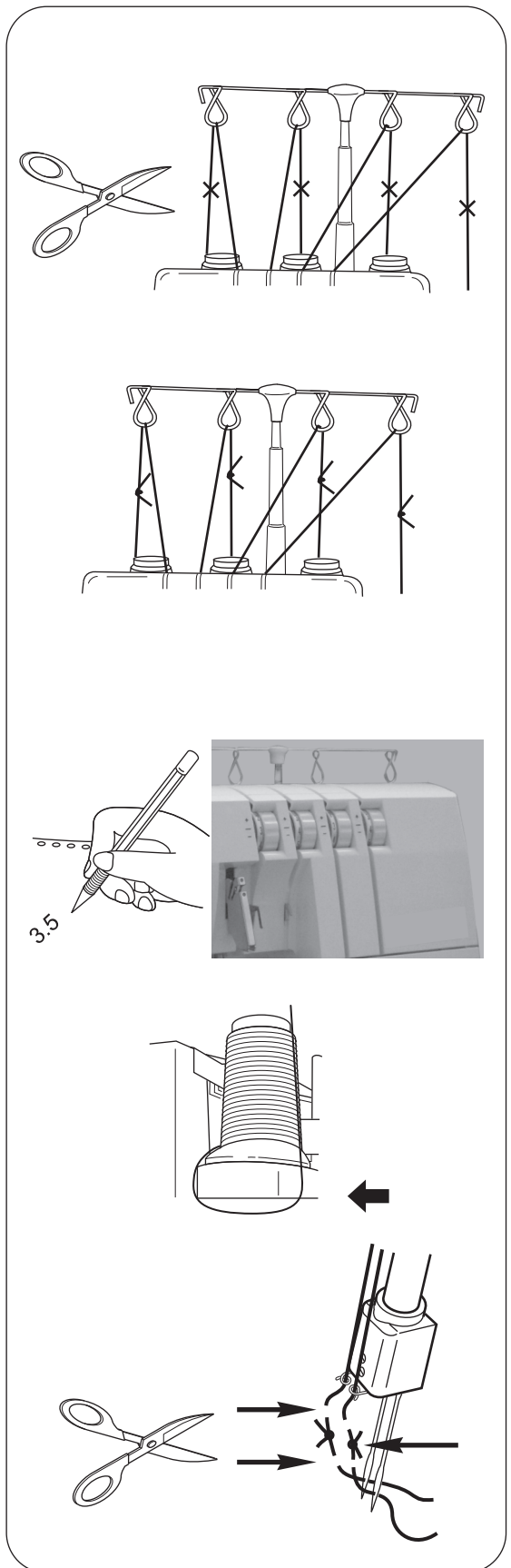
Información importante sobre enhebrado

- Enhebre siempre la(s) aguja(s) al final para impedir un falso enhebrado del ojo-guía inferior.
- Si el ojo-guía inferior estuviere sin enhebrarse:
 - 1) Desenhebre la aguja
 - 2) Enhebre el ojo-guía inferior
 - 3) Enhebre las agujas



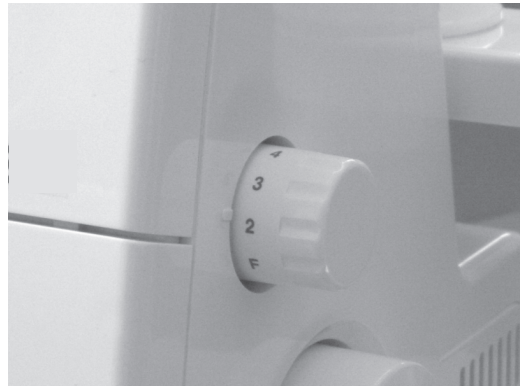
12. COMO CAMBIAR LOS HILOS/ PROCEDIMIENTO DE ATADURA

- Para cambiar el color o el tipo del hilo, corte el hilo cerca del carrete.
- Coloque un hilo nuevo en el soporte.
- Ate conjuntamente el hilo nuevo y el antiguo por los extremos.
- Corte trozos de hilo a 2 - 3 cm (1") de longitud. Si los hilos se cortan demasiado cortos, pueden desatarse.
- Tire firmemente de ambos hilos para comprobar la seguridad del nudo.
- Observe los ajustes del dial de tensión.
- Gire los diales de tensión hacia abajo hasta que se detengan.
- Tire de los hilos a través de la máquina uno cada vez.
- Si los hilos no salen fácilmente, compruebe si hay enredos en las guías-hilo o si se forman bucles bajo el soporte del hilo.
- Al tirar del hilo a través de la aguja, PARE cuando el nudo esté frente de la aguja.
- Corte el hilo e introdúzcalo a través de la aguja.
- Vuelva los Diales de tensión a los ajustes anteriores.



13. CÓMO AJUSTAR LA LONGITUD DE LA PUNTADA DE LA PUNTADA

- El dial de longitud de la puntada debe ajustarse en los 3 mm (1/8") en la mayoría de las condiciones de costura.
- Ajuste la longitud de la puntada a 4 mm (5/32 pulgadas) al coser telas de gran peso.
- Ajuste la longitud de la puntada a 2mm (5/64 pulgadas) al coser telas de peso ligero para obtener costuras excelentes sin fruncidos.

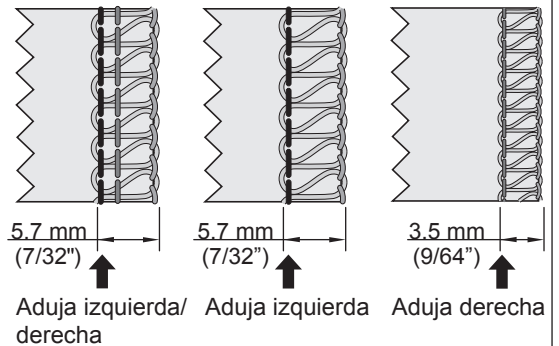


14. CÓMO AJUSTAR EL ANCHO DE LA COSTURA

- El sobrehilado del ancho de la costure puede conseguirse reajustando la posición de la aguja y también con el mando de ajuste del ancho.

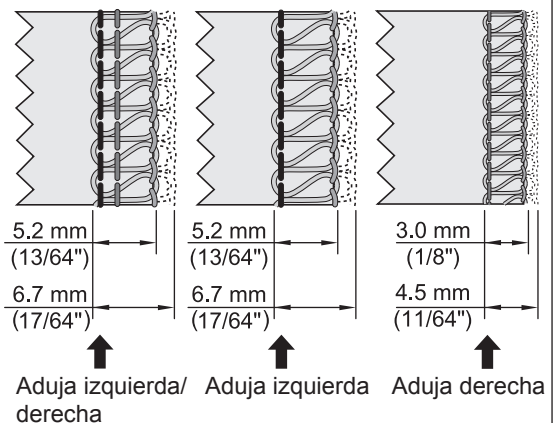
Ajuste del ancho cambiando la posición de la aguja

- El sobrehilado del ancho de la costure puede ajustarse cambiando la posición de la aguja.
 - Cuando se utiliza solamente la aguja izquierda5.7 mm (7/32 pulgadas)
 - Cuando se utiliza solamente la aguja derecha3.5 mm (9/64 pulgadas)



Ajuste del ancho con el mando de ajuste

- El uso del botón de ajuste del ancho permitirá un ajuste adicional dentro del margen de ancho mostrada a continuación.
 - Cuando se utiliza solamente la aguja izquierda5,2 a 6,7 mm (13/64-17/64 pulgadas)
 - Cuando se utiliza solamente la aguja derecha3,0 a 4,5 mm (1/8 - 11/64 pulgadas)



Mando de ajuste del ancho



Precaución:

Antes de efectuar ajustes, asegurarse de que esté apagada la máquina.

- La apertura de la tapa del ojo - hilo facilitará el ajuste.
- Empujando la cuchilla superior hacia la derecha, mientras mantiene la cuchilla en esta posición, dele vuelta a la rueda para obtener la anchura de la costura, usando las líneas en el platillo como guías.



Precaución:

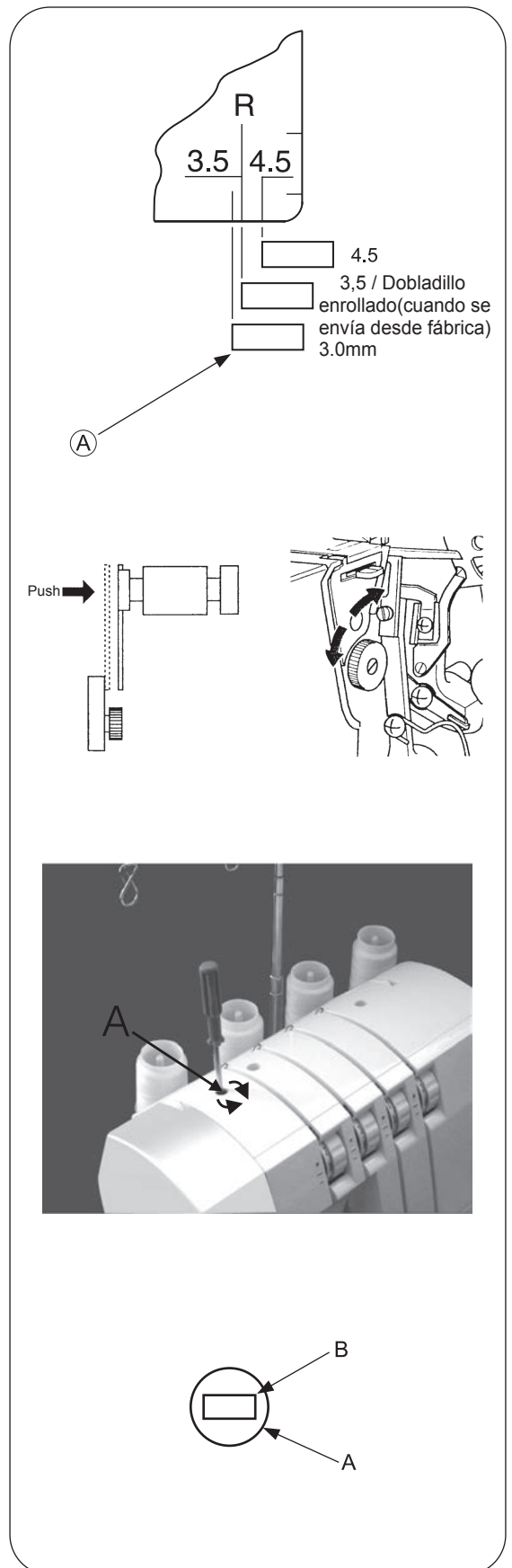
Cerrar siempre la tapa del ojo-guía antes de accionar la máquina.

15. COMO AJUSTAR LA PRESION DEL PRENSATELAS

- La presión del prensatelas de esta máquina está preajustada en fábrica para adaptar la costura de telas de peso medio.
- La mayoría de los materiales no requieren ajuste de la presión del prensatelas; sin embargo, hay algunos casos en los que el ajuste es necesario cuando se cosen telas ligeras y pesadas.
- En tal caso, inserte un destornillador a través del orificio de acceso (A) en la cubierta superior y en la ranura (B) del tornillo de regulación de la presión y gire el tornillo de regulación según se requiera.

Nota: Girar el tornillo de regulación en sentido contrario a las agujas del reloj hasta que se detenga contra la cubierta superior. A continuación, girar el tornillo en el sentido de las agujas del reloj, 6 vueltas, que será la presión del prensatelas estándar.

- Para telas ligeras..... Disminuir la presión
- Para telas pesadas.....Aumentar la presión



16. TRANSPORTE DIFERENCIAL

- El transporte diferencial es un sistema que “estira” o “frunce” la tela, cuando se cambia la magnitud de transporte del alimentador delantero al alimentador trasero.
- La relación del transporte diferencial varía de 1 : 0,7 a 1 : 2,0. El ajuste se realiza por medio de la palanca de ajuste del transporte diferencial ilustrada más adelante.
- El uso del transporte diferencial es muy eficaz al sobreorillar telas estiradas y telas cortadas al bias.
- La graduación “1.0” es la fijación de la palanca de ajuste del transporte diferencial para una relación de 1:1.

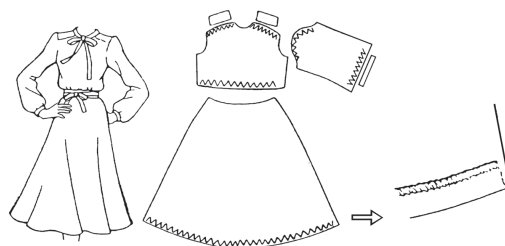
Sobreorillado fruncido

- El sobreorillado fruncido es más adecuado para mangas fruncidas, canesúes, corpiños delanteros y traseros, dobladillos de camisas, etc. en telas extensibles tales como tejidos de punto y jerseys antes de montarse en la prenda de vestir.

Para regular la palanca de ajuste del transporte diferencial

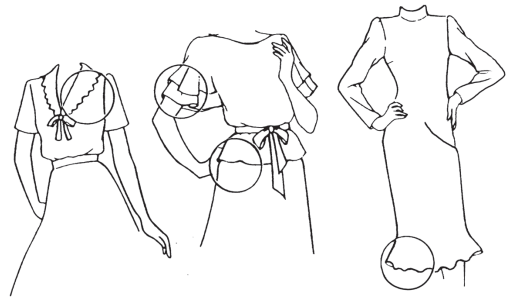
- Ajuste la palanca de regulación del transporte diferencial por debajo de la graduación de “1.0”. La magnitud de este ajuste depende del material que se cose así como de la cantidad de fruncido, por lo que hay que regular el mando para adaptarse a la tela y a la prueba antes de coser su prenda.
- Cuando el dial de regulación del transporte se establece en “3” o superior, la magnitud del transporte principal cambiará a “3” automáticamente cuando el mando de la palanca de ajuste se fija en 2.0.

Nota: Para puntadas de sobreorillado, hay que ajustar el mando de la palanca de ajuste del transporte a la graduación “1.0”.



Sobreorillado extensible

- Es ideal para coser cuellos decorativos, mangas, dobladillos de camisas, etc., en tejidos entrecruzados y de punto suelto.



Para fijar la palanca de ajuste del transporte diferencial

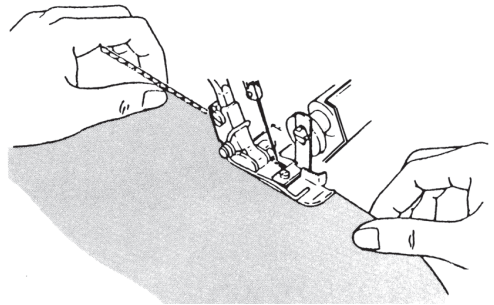
- Fije el mando de la palanca de ajuste del transporte diferencial por encima de la graduación, “1.0”.



- Para coser una costura, aplique una suave tensión a la tela sujetando la costura ligeramente por delante y por detrás del prensatelas.

Note: * Si la magnitud de la “extensión” no está correctamente fijada en relación con la tela que se está cosiendo, la tela será propensa a alejarse desde la aguja dando lugar a un sobreorillado inadecuadamente cosido. En tal caso, reajuste la palanca reguladora del transporte diferencial lo más cerca de la marca del centro.

- * Asegúrese de reposicionar la palanca de ajuste del transporte diferencial a la graduación “1.0” para sobreorillado normal.



17. COMO DESACOPLAR LA CUCHILLA SUPERIOR MÓVIL



Precaución:
Asegurarse de desconectar la alimentación eléctrica.

Para colocar la cuchilla móvil en posición de reposo

- Gire el volante hacia su posición y eleve la cuchilla superior a su posición más alta.
- Abra la tapa del ojo-guía (página 9).
- Empuje el portacuchilla móvil a la derecha todo lo que se pueda.
- Gire el mando alejándose de la posición en que usted se encuentra hasta que la cuchilla haga un chasquido en una posición horizontal.

Nota: Si la cuchilla se para en la posición elevada.

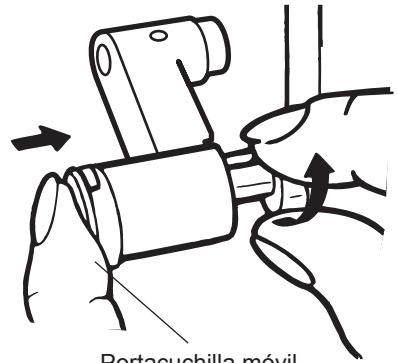
- * Gire el volante hacia usted hasta que la cuchilla se separe de la partesuperior de la máquina.
- * Continúe girando la cuchilla a la posición horizontal.

Para situar la cuchilla móvil en la posición de trabajo

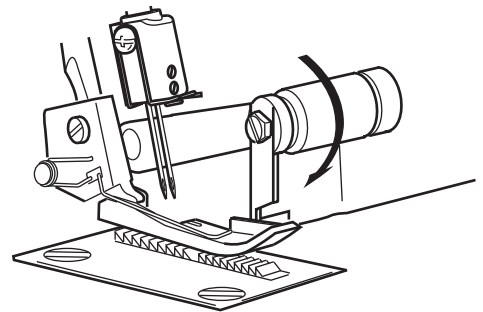
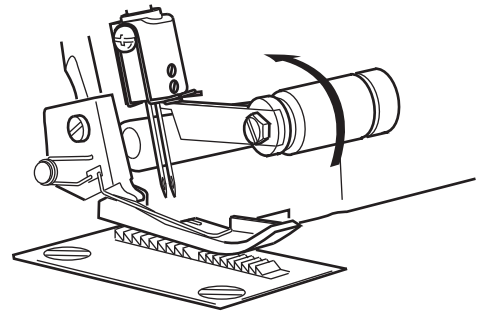
- Abra la tapa del ojo-guía y empuje el porta-cuchilla móvil a la derecha, todo lo posible.
- Gire el mando arriba y hacia usted hasta que la cuchilla encaje con un chasquido en la posición de trabajo.



Precaución:
Cerrar siempre la tapa del ojo-guía antes de hacer funcionar la máquina.



Portacuchilla móvil



18. CONVIRTIENDO LA ANCORAS SUPERIOR A UN SEPARADOR.



Aviso:
Apague la maquina antes de instalar o quitar el separador.

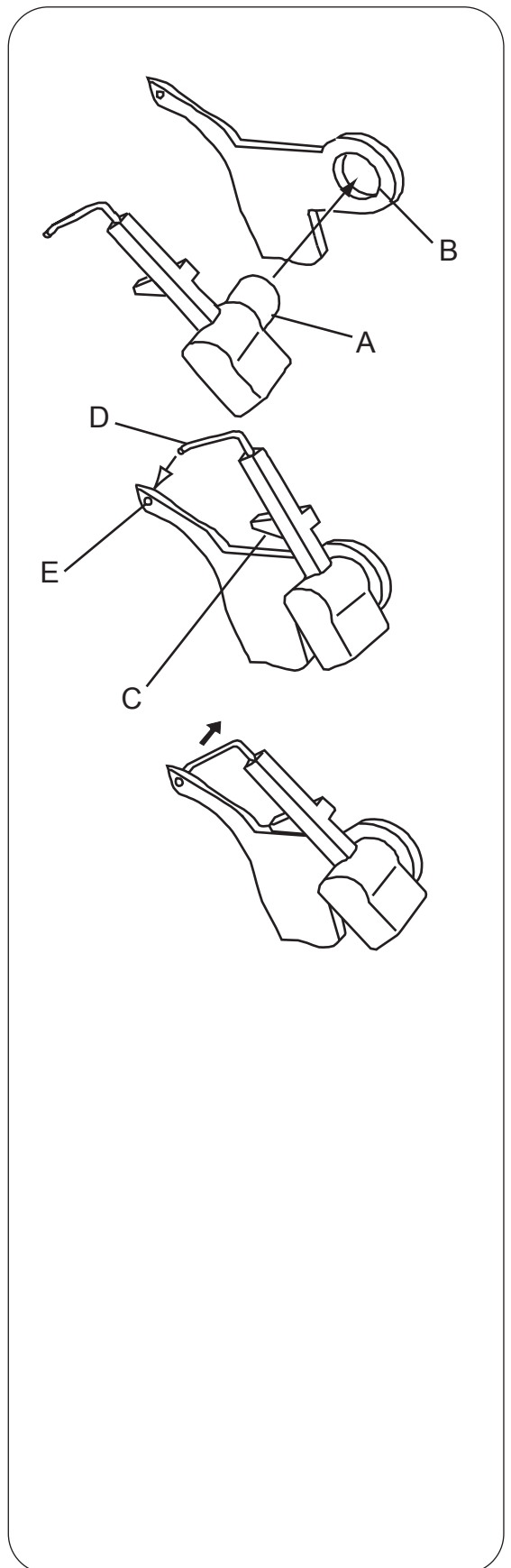
Instalando el Separador

- Inserte la espiga (A) del separador en el espacio (B) de la ancora superior.
- Poner en la posición al costado (C) haciendo contacto con la parte superior del ancora.
- Inserte la punta (D) en el hueco (E) de la ancora superior.

Cambiando le Separador

- Quite la punta (D) del hueco (E) de la ancora superior y quite el separador de la ancora.

Nota: Regrese el separador a la caja de los accesorios.



19. CÓMO COSER CON BRAZO LIBRE (TRABAJO TUBULAR)

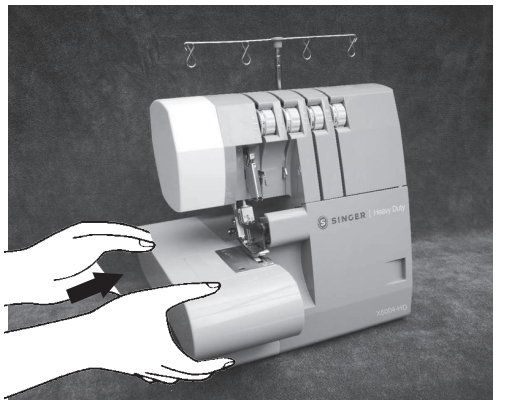
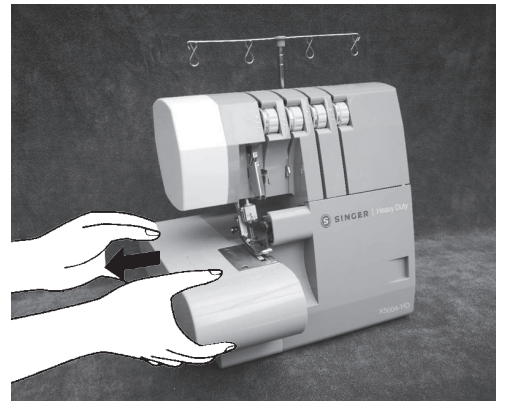
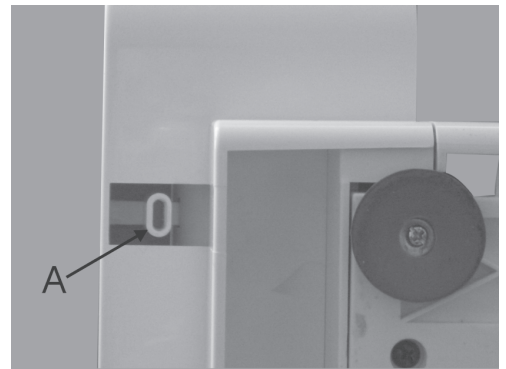
Esta máquina se convierte en una máquina de brazo libre, simplemente quitando la placa de la tela.

Para retirar la placa empujatelas

- Deslice esta placa a la izquierda y retírela de la máquina mientras presiona el botón de prensado (A) situado en la parte inferior.
- Esto es especialmente adecuado para costuras en que resulte difícil llegar a zonas de la prenda tales como huecos de las mangas y sobrehilado de las vueltas de los pantalones.
- Coloque la prenda sobre el brazo libre y proceda a coser.

Cómo sustituir la placa empujatelas

- Alinee el saliente en la placa empujatelas con la ranura en la tapa del cilindro y deslice a la derecha hasta que la pestaña en la placa empujatelas (frontal) encaje en la ranura de la tapa del cilindro.

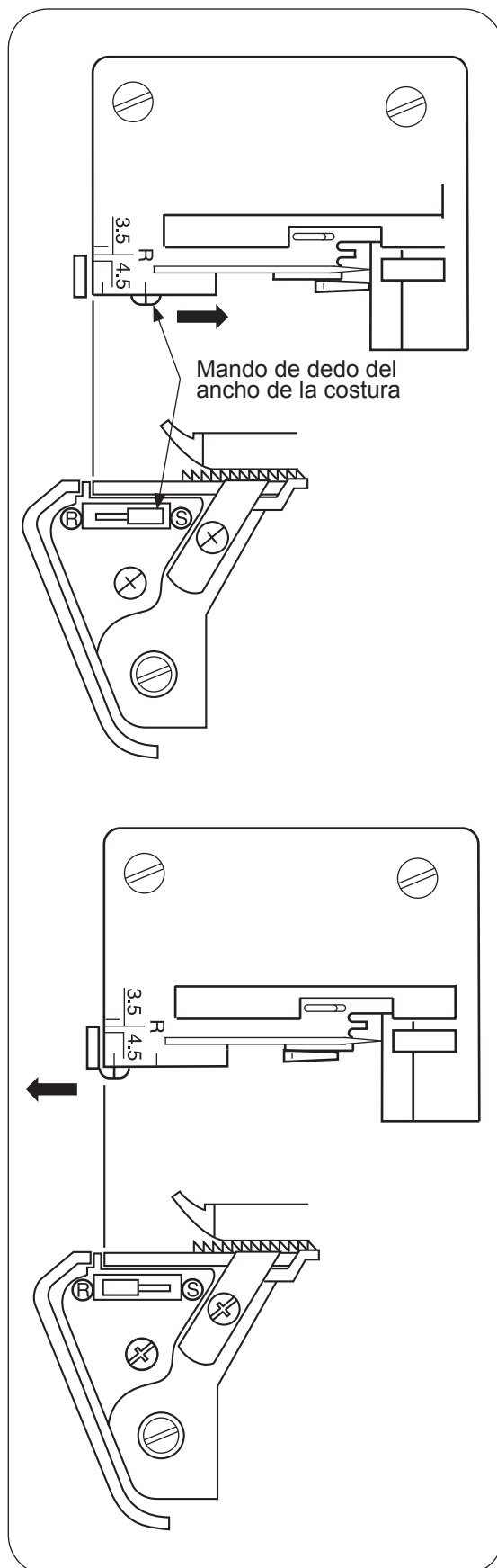


20. SOBREHILADO ESTANDAR Y PUNTADA DE DOBLADILLO ENROLLADO

Para hacer un sobrehilado estándar

- Fije el mando de dedo del ancho de la costura en la posición S para desplazar el dedo del ancho de la costura a la posición prevista.

Nota: Asegurarse de empujar el mando de dedo del ancho de la costura todo lo posible en la dirección del posicionamiento S.



Cómo coser un dobladillo enrollado

- Fije el mando del dedo del ancho de la costura en la posición R para retraer el dedo del ancho de la costura.

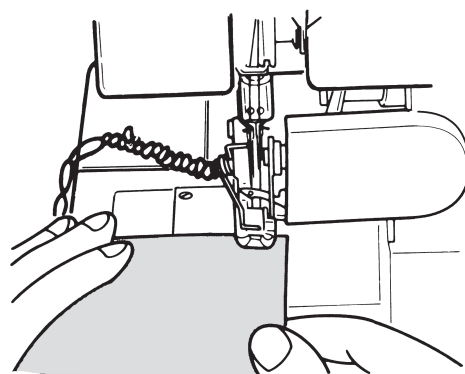
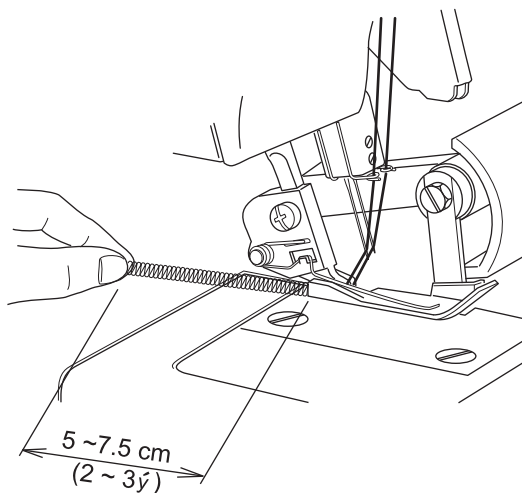
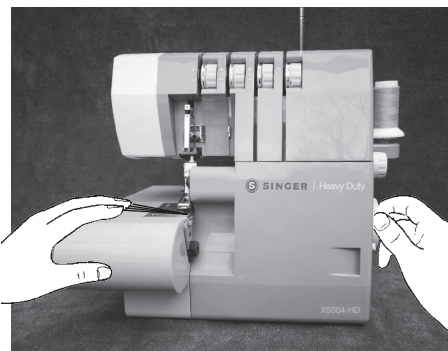
Nota: Asegurarse de empujar el mando de dedo del ancho de la costura todo lo posible en la dirección del posicionamiento R.

21. ENCADENADO Y COSIDO DE PRUEBA

- Cuando la máquina está completamente enhebrada, lleve todos los hilos sobre la placa de aguja y ligeramente hacia la izquierda bajo el prensatelas.
- Sujete los hilos y aplique una ligera tensión.
- Gire el volante hacia usted 2 ó 3 vueltas completas para iniciar la cadena del hilo.
- Baje el prensatelas.
- Siga sujetando la cadena y presione sobre el pedal de control hasta que la cadena tenga de 5 a 7,5 cm (2-3 pulgadas) de longitud.

- Coloque la tela bajo la parte frontal del prensatelas y cosa una muestra de prueba.

Nota: No tire de la tela mientras está cosiendo ya que esto puede doblar la aguja, haciendo que se rompa.



22. Inicio y finalización de las costuras

Para iniciar una costura

- Para iniciar una costura en la mayoría de las telas, ponga primero el extremo del hilo por debajo del prensatelas y luego a la izquierda de la máquina.
- Sujete el extremo del hilo y pise el pedal para comenzar a coser.
- Cosa hasta que haya creado una cadena de 3 "(7,5 cm).
- Coloque la tela sobre los dientes de arrastre en frente del pie. Comience a coser.

Note: * Para telas gruesas o pesadas, se recomienda utilizar agujas Singer # 2022 tamaño 100/16.

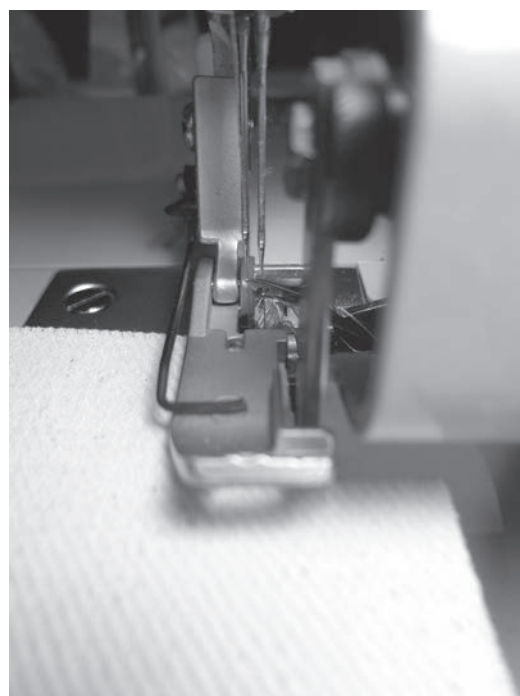
* Las telas pesadas o gruesas pueden ser más difíciles de alimentar que otras. En estos casos, empezar por cortar una muesca en el comienzo de la costura alrededor de 1 "(2,5 cm) hacia abajo desde la parte superior de la tela y, a lo largo de la línea de costura.

* Levante el pie prensatelas y eleve las agujas. Coloque la muesca de manera que el borde superior de la tela está en frente de las agujas, con el borde del corte alineados al lado de la cuchilla.

* Baje el prensatelas y cosa.

Para finalizar una costura

- Para terminar una costura, continúe cosiendo pasando el final de la tela hasta que se siga formando la cadena.
- Corte el hilo, dejando al menos 3" (7,5 cm) al final de la tela.



23. MÉTODO SUGERIDO DE MONTAJE DE TENSIÓN.

1) Esta puntada de envoltura de ruedo use 2 hilos.

Note: * Estos son solo métodos sugeridos de Tensión.

* Los métodos de montaje de tensión Son afectados por:

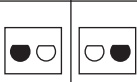
- 1) Tipo Y densidad de la tela.
- 2) Tamaño de la aguja
- 3) Tamaño, tipo y contenido de fibra de el hilo

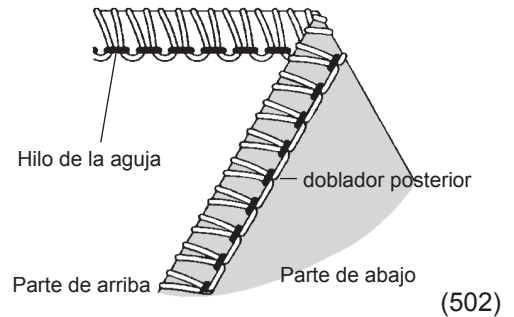
* Vea la página 26 para convertir el doblador de arriba en un desenvolvedor.

- Coloque el Dial en los montajes que Están enseñados a la mano derecha y Ensaye en un retazo de su tela.

Como Balancear

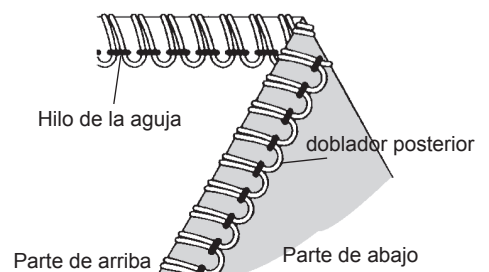
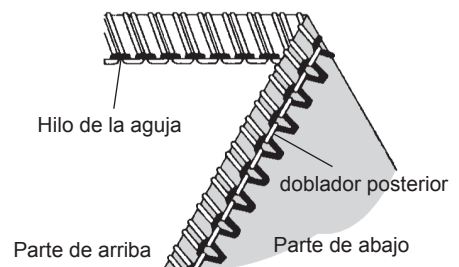
- Cuando el hilo del doblador posterior De tensión está muy apretado ó la aguja de El hilo está muy suelto
 - Cambie el dial de el doblador posterior De tensión hacia un número menor (Amarillo)
 - Ó, cambie el hilo de la aguja de tensión (Azul ó verde) hacia un numero más alto.
- Cuando la tensión de hilo de el doblador Posterior está muy suelto: cambie el dial Hacia (amarillo) un numero más alto.

Posición de la aguja	
Botón dedal de anchura de ruedo	S
Largo de la puntada	2 - 4
Desenvolvedor (separador)	USE



Balance Correcto	Dial de tensión			
	Azul	Verde	Naranja	Amarillo
Peso ligero	2.5		desenvolvedor	1.0
Peso mediano	3.5		desenvolvedor	1.0
Peso pesado	4.0		desenvolvedor	1.0

Balance Correcto	Dial de tensión			
	Azul	Verde	Naranja	Amarillo
Peso ligero		2.5	desenvolvedor	2.0
Peso mediano		4.0	desenvolvedor	2.0
Peso pesado		5.0	desenvolvedor	2.0



2) La norma para la puntada del ruedo enrollado es 2 hilos.

Note: * Estos son solo métodos sugeridos de Tensión.

* Los métodos de montaje de tensión Son afectados por:



- 1) Tipo Y densidad de la tela.
- 2) Tamaño de la aguja
- 3) Tamaño, tipo y contenido de fibra de el hilo

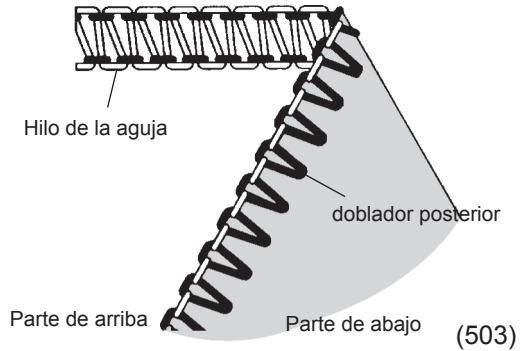
* Vea la página 26 para convertir el doblador de arriba en un desenvolvedor.

- Coloque el Dial en los montajes que Están enseñados a la mano derecha y Ensaye en un retazo de su tela.

Como Balancear

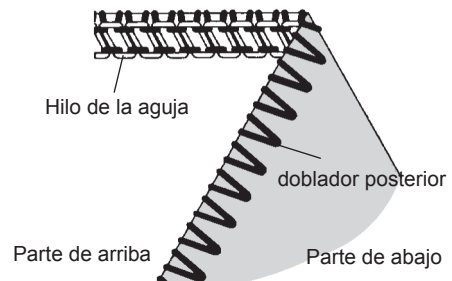
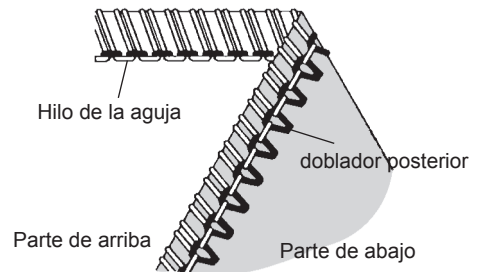
- Cuando el hilo del doblador posterior De tensión está en la parte debajo de la tela:
 - Cambie el dial del doblador posterior De tensión hacia un número menor (Amarillo)
 - Ó, cambie el hilo de la aguja de tensión (Azul ó verde) hacia un numero más bajo.
- Cuando la tensión de hilo de el dobladorñ:
 - Posterior está muy suelto: cambie el dial
 - Hacia (amarillo) un numero más alto.

Posición de la aguja		
Botón dedal de anchura de ruedo	S	
Largo de la puntada	2 - 4	
Desenvolvedor (separador)	USE	



Balance Correcto	Dial de tensión			
	Azul	Verde	Naranja	Amarillo
Peso ligero	0		desenvolvedor	5.0
Peso mediano	0.5		desenvolvedor	5.0
Peso pesado	1.0		desenvolvedor	5.0

Balance Correcto	Dial de tensión			
	Azul	Verde	Naranja	Amarillo
Peso ligero		0	desenvolvedor	5.0
Peso mediano		0.5	desenvolvedor	6.0
Peso pesado		1.0	desenvolvedor	6.5



3) Sobreorillado 3 hilos

Note: * Estos ajustes de tensión son recomendados solamente.

* Los ajustes de tensión se efectúan por:

- 1) Tipo y grosor de la tela
- 2) Tamaño de la aguja
- 3) Tamaño, tipo y contenido en fibra del hilo

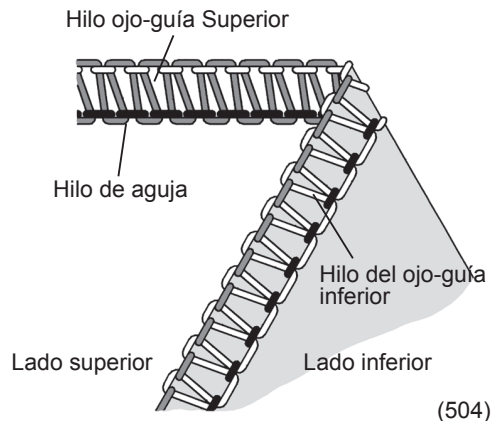
Equilibrio correcto

- Fijar cada dial de tensión a los ajustes mostrados a la derecha y hacer una costura de prueba en una muestra de su tela.

Cómo equilibrar

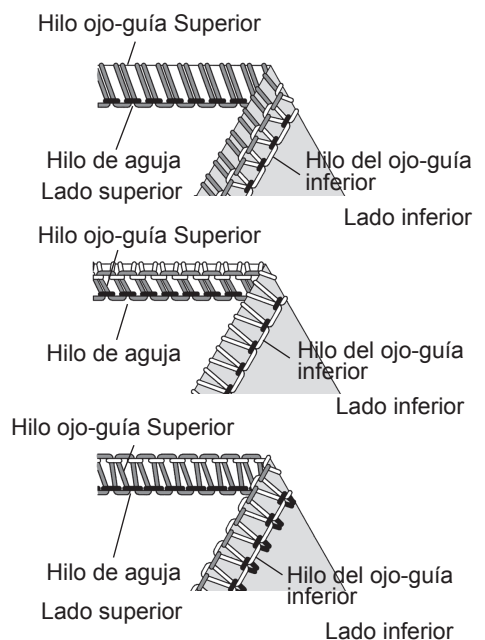
- Cuando el hilo del ojo-guía superior se apoya por debajo de la tela:
 - Girar el dial de tensión del hilo del ojo-guía superior (naranja) a un número mayor.
 - O, girar el dial de la tensión de hilo de ojo-guía superior (naranja) a un número inferior.
- Cuando el hilo del ojo-guía inferior aparece por encima de la tela:
 - Girar el dial de tensión del hilo del ojo-guía inferior (amarillo) a un número mayor.
 - O, girar el dial de la tensión de hilo de ojo-guía superior (naranja) a un número menor.
- Cuando el hilo en la aguja está demasiado flojo, girar el dial de tensión (azul o verde) a un número superior.

POSICION DE LA AGUJA		
MANDO DEDO ANCHO COSTURA	S	
LONGITUD DE LA PUNTADA	2 - 4	



Balance Correcto	Dial de tensión			
	Azul	Verde	Naranja	Amarillo
Peso ligero	2.5		3.0	3.0
Peso medio	3.0		3.0	3.0
Peso pesado	3.5		3.0	3.0

Balance Correcto	Dial de tensión			
	Azul	Verde	Naranja	Amarillo
Peso ligero		2.5	3.0	3.0
Peso medio		3.0	3.0	3.0
Peso pesado		3.5	3.0	3.0



4) Costura plana de 3 hilos

Note: * Estos ajustes de tensión son recomendados solamente

- * Los ajustes de tensión se efectúan por:
 - 1) Tipo y grosor de la tela
 - 2) Tamaño de la aguja
 - 3) Tamaño, tipo y contenido en fibra del hilo

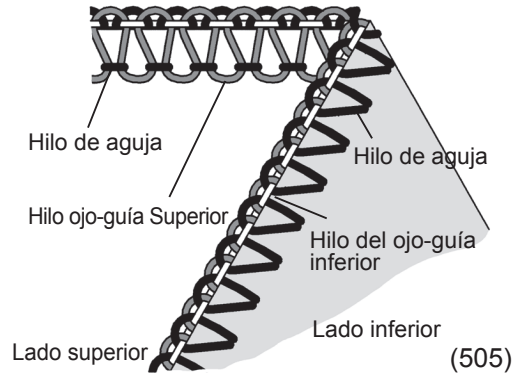
Equilibrio correcto

- fijar cada dial de tensión a los ajustes mostrados a la derecha y coser de prueba sobrenamuestra de la tela.

Cómo equilibrar

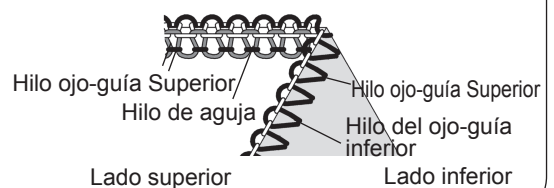
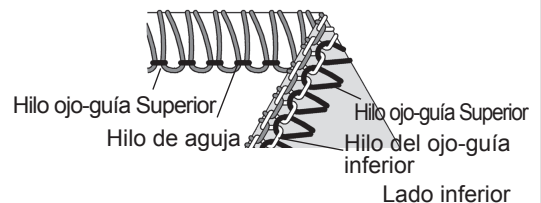
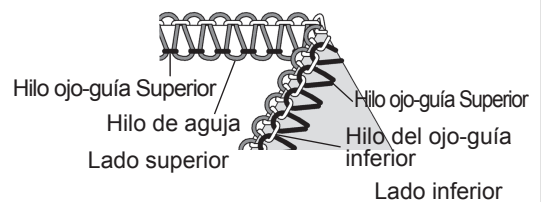
- Cuando la tensión del hilo del ojoguía inferior está demasiado flojo:
 - Girar el dial de tensión del hilo del ojo-guía superior (amarillo) a un número mayor.
 - O, girar el dial de la tensión de hilo de ojoguía superior (azul o verde) a un número inferior.
- Cuando el hilo del ojo-guía superior está demasiado flojo:
 - Girar el dial de tensión del hilo del ojo-guía superior (naranja) a un número mayor.
 - O, girar el dial de la tensión de hilo de ojo-guía superior (azul o verde) a un número inferior.
- Cuando el hilo en la aguja está demasiado flojo:
 - girar el dial de tensión (azul o verde) a un número superior.
 - O, girar el dial de tensión del hilo del ojo-guía superior a un número inferior.

POSICION DE LA AGUJA	
MANDO DEDO ANCHO COSTURA	S
LONGITUD DE LA PUNTADA	2-4



Balance Correcto	Dial de tensión			
	Azul	Verde	Naranja	Amarillo
Peso ligero	0.5		5.0	7.0
Peso medio	0.5		5.0	7.0
Peso pesado	0.5		5.0	7.0

Balance Correcto	Dial de tensión			
	Azul	Verde	Naranja	Amarillo
Peso ligero		0.5	5.0	7.0
Peso medio		0.5	5.0	7.0
Peso pesado		0.5	5.0	7.0



5) Sobreorillado envuelto de 3 hilos

Note: * Estos ajustes de tensión son recomendados solamente.

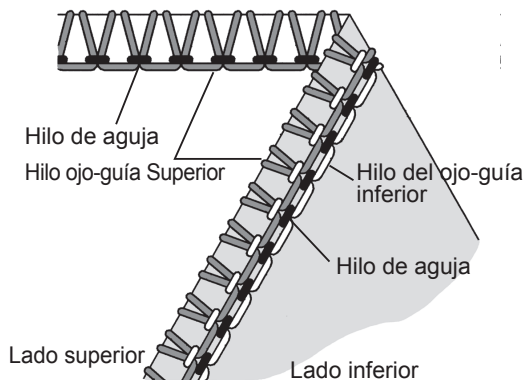
* Los ajustes de tensión se efectúan por:

- 1) Tipo y grosor de la tela
- 2) Tamaño de la aguja
- 3) Tamaño, tipo y contenido en fibra del hilo

Equilibrio correcto

- Fijar cada dial de tensión a los ajustes mostrados a la derecha y coser de prueba sobre una muestra de su tela.

POSICION DE LA AGUJA	
MANDO DEDO ANCHO COSTURA	S
LONGITUD DE LA PUNTADA	2 - 4

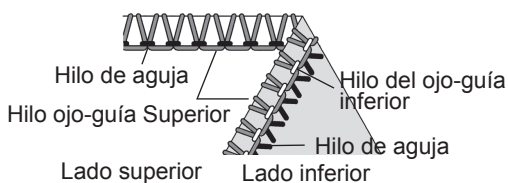
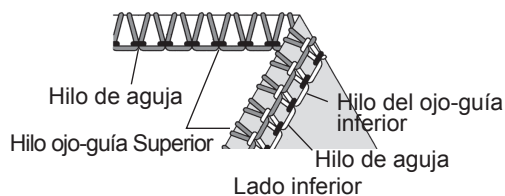
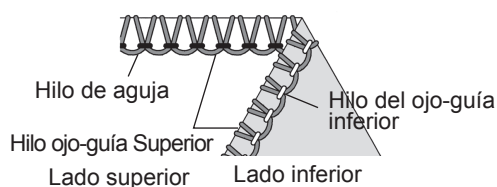


Balance Correcto	Dial de tensión			
	Azul	Verde	Naranja	Amarillo
Peso ligero	4.0		0	8.0
Peso medio	5.0		0	8.5
Peso pesado	5.0		0	8.5

Balance Correcto	Dial de tensión			
	Azul	Verde	Naranja	Amarillo
Peso ligero		2.0	1.0	7.0
Peso medio		3.0	1.0	7.0
Peso pesado		3.5	1.0	7.0

Cómo equilibrar

- Cuando la tensión del hilo del ojo-guía superior está demasiado floja:
 - Girar el dial de tensión del hilo del ojo-guía superior (naranja) a un número mayor.
- Cuando la tensión del hilo del ojo-guía inferior es demasiado floja.
 - Girar el dial de tensión del hilo del ojo-guía superior (amarilla) a un número mayor.
 - O, girar el dial de la tensión de hilo de ojo-guía superior (naranja) a un número inferior.
- Cuando la tensión del hilo en la aguja es demasiado floja:
 - girar el dial de tensión (azul o verde) a un número superior.
 - O, girar el dial de tensión del hilo del ojo-guía superior (naranja) a un número inferior.



6. Falsa puntada de seguridad ultra elástica de 4 hilos

Note: * Estos ajustes de tensión son recomendados solamente.

* Los ajustes de tensión se efectúan por:


- 1) Tipo y grosor de la tela
- 2) Tamaño de la aguja
- 3) Tamaño, tipo y contenido en fibra del hilo

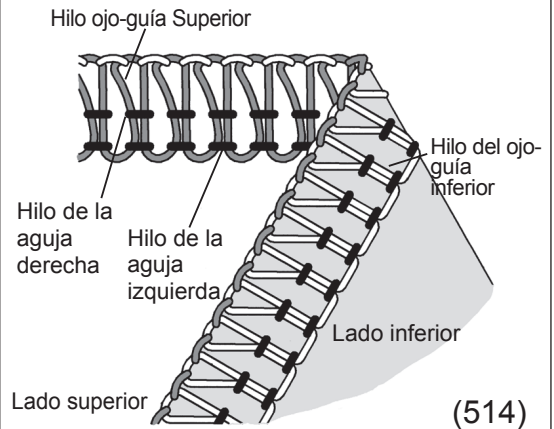
Equilibrio correcto

- Fijar cada dial de tensión a los ajustes mostrados a la derecha y coser de prueba sobre una muestra de su tela.

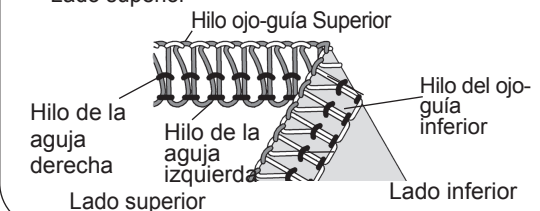
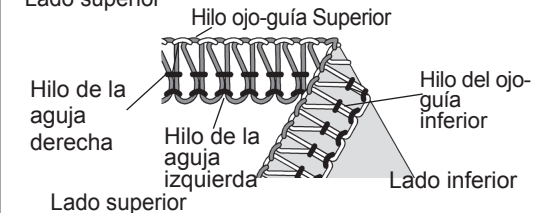
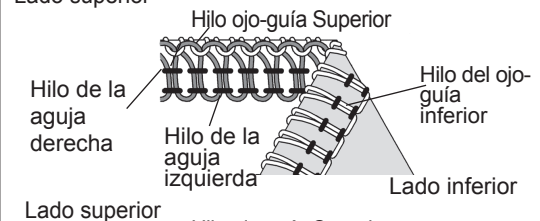
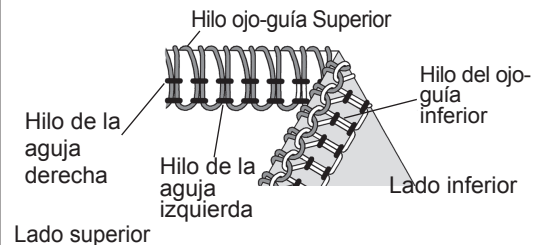
Cómo equilibrar

- Cuando el hilo del ojo-guía superior se apoya por debajo de la tela:
 - Girar el dial de tensión del hilo del ojo-guía superior (naranja) a un número mayor.
 - O, girar el dial de la tensión de hilo de ojo-guía superior (amarillo) a un número inferior.
- Cuando el hilo del ojo-guía inferior se aparece por encima de la tela:
 - Girar el dial de tensión del hilo del ojo-guía inferior (amarillo) a un número mayor.
 - O, girar el dial de la tensión de hilo de ojo-guía superior (naranja) a un número inferior.
- Cuando la tensión del hilo en la aguja izquierda es demasiado floja, girar el dial de tensión (azul) a un número superior.
- Cuando la tensión del hilo en la aguja derecha es demasiado floja, girar el dial de tensión (verde) a un número superior.

POSICION DE LA AGUJA	
MANDO DEDO ANCHO COSTURA	S
LONGITUD DE LA PUNTADA	2 ~ 4



Balance Correcto	Dial de tensión			
	Azul	Verde	Naranja	Amarillo
Peso ligero	2.5	2.5	3.0	3.0
Peso medio	3.0	3.0	3.0	3.0
Peso pesado	3.5	3.5	3.0	3.0

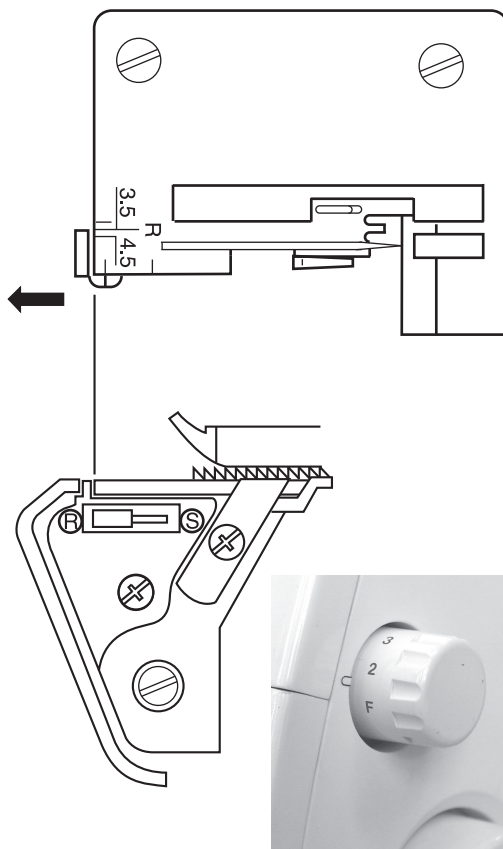
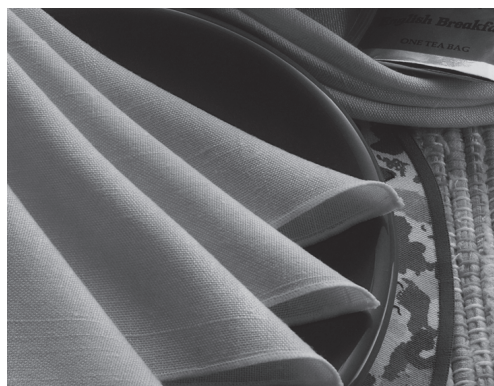


24. CÓMO COSER UN DOBLADILLO ENROLLADO

- Esta máquina puede coser cuatro tipos de dobladillos enrollados.
- El dobladillo enrollado se realiza enrollando y sobreorillando la tela.
- Con telas ligeras tales como lino, gasa, organdí, crespón, etc., It realiza mejor.
- El dobladillo enrollado no es adecuado para telas pesadas o rígidas.

Puesta a punto de la máquina

- Retirar la aguja izquierda.
- Desplazar el mando de dedo del ancho de la costura a la posición R (Ver página 28).
- Alinear la cara izquierda de la placa de soporte de dedo del ancho de costura con la marca R en la placa de guía girando el mando de dedo de ancho de costura, según se requiere.
- Fijar el dial de longitud de la puntada a "F - 2" y se coserá un costura fina.
- Aguja: Aguja Singer N° 2022 tamaño 80/11 ó 90/14.
- Hilo: Pueden utilizarse varias combinaciones de hilo para dobladillo enrollado.




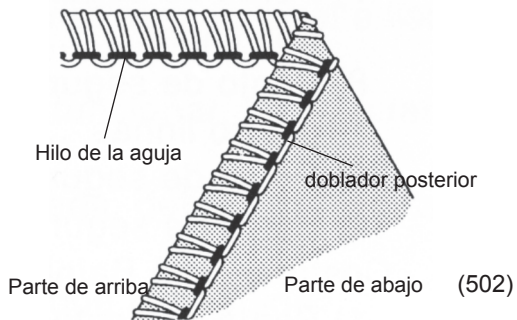
Note: Para un ruedo enrollado de dos hilos que sea bello ensarte el doblador superior con hilo de nylon y la aguja con hilo reglas de peso ligero.

1) a. Esta puntada de envoltura de ruedo usa 2 hilos.

Balance Correcto

- Coloque el Dial en los montajes que Están enseñados a la mano derecha y Ensaye en un retazo de su tela.

Posición de la aguja	
Bóton dedal de anchura de ruedo	S
Largo de la puntada	F ~ 2
Desenvolvedor (separador)	USE

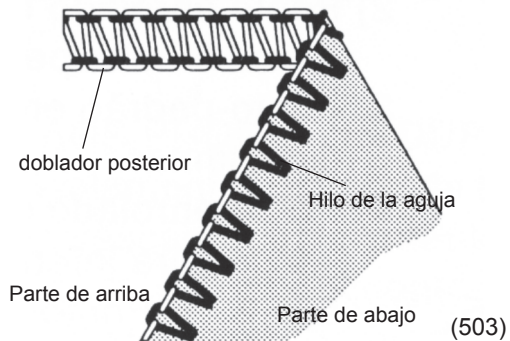


Hilo del doblador Superior	Dial de tensión			
	Azul	Verde	Naranja	Amarillo
Poliéster		3.0		2.0
Hilo nylon (lanilla)		3.0		2.0

b. La norma para un ruedo enrollado de 2 hilos

Balance Correcto

- Coloque el Dial en los montajes que Están enseñados a la mano derecha y Ensaye en un retazo de su tela.




Hilo del doblador Superior	Dial de tensión			
	Azul	Verde	Naranja	Amarillo
Hilo nylon (lanilla)		2.0		4.0

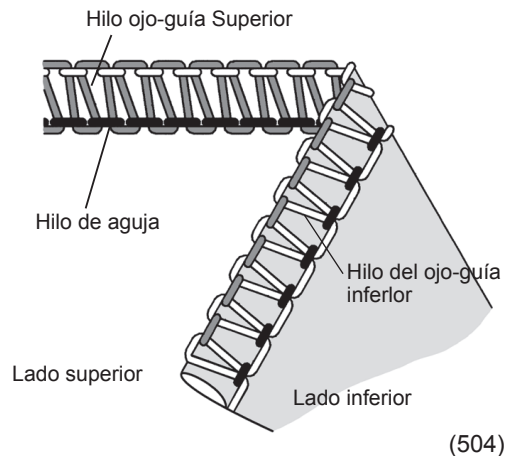
Note: Para conseguir un mejor dobladillo enrollado, enhebre el ojo-guía superior con nylon lanoso y la aguja y el ojo-guía inferior con hilo normal ligero.

2) a. Puntada de dobladillo enrollado estándar de 3 hilos

Equilibrio correcto

- Fijar cada dial de tensión a los ajustes ostrados a la derecha y coser de prueba sobre una estra de su tela.

POSICION DE LA AGUJA	
MANDO DEDO ANCHO COSTURA	R
LONGITUD DE LA PUNTADA	F ~ 2



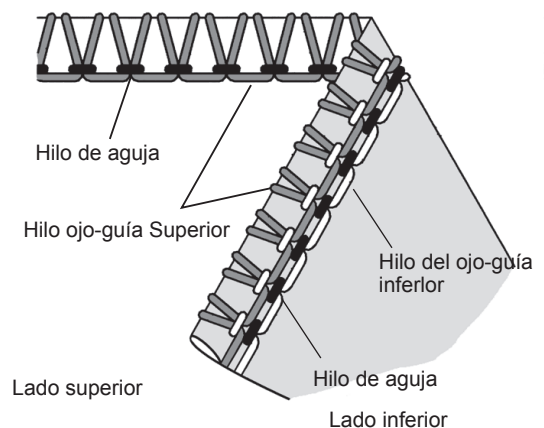
(504)

Hilo ojo-guía Superior	Dial de tensión			
	Azul	Verde	Naranja	Amarillo
Polyester		3.0	5.0	3.0
Nylon lanoso		3.0	3.5	3.5

b. Puntada de dobladillo enrollado envuelto de hilo en ojo-guía superior a 3 hilos

Equilibrio correcto

- Fijar cada dial de tensión a los ajustes ostrados a la derecha y coser de prueba sobre una estra de su tela.



Hilo ojo-guía Superior	Dial de tensión			
	Azul	Verde	Naranja	Amarillo
Polyester		2.0	5.0	7.0
Nylon lanoso		2.0	2.0	5.0

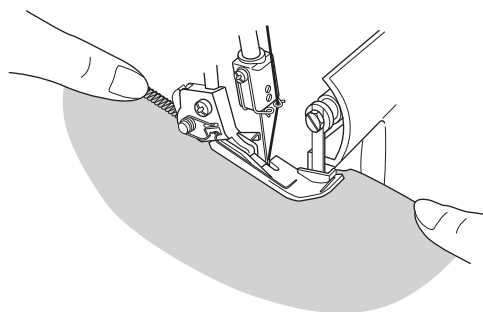
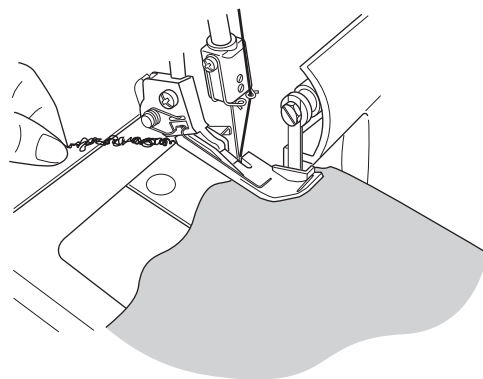
Información adicional sobre dobladillo enrollado

- Sujete la cadena de hilo cuando empiece a coser para impedir que quede ondulado en la costura.
- Aplique una ligera tensión sobre el material en la dirección de la costura y podrá obtenerse un acabado de costura más fino.
- El ancho de puntada de sobreorillado mínima que puede obtenerse del dobladillo enrollado es aproximadamente 1,5 mm (1/16") ya que el ancho de corte no puede estar por debajo de 3,5 mm (9/64 pulgadas).

Cómo fijar la cadena de hilo de dobladillo enrollado

- Aplique una pequeña gota de líquido sellante de costura al final de la costura. Dejar que se seque y después corte la cadena cerca de las puntadas.

Nota: Probar el líquido sellante de costura para ver la fortaleza del color antes del uso.



25. VARIACIONES DE PUNTADAS Y TÉCNICAS PARA COSER

Cómo hacer una costura decorativa de doble pespunte plano

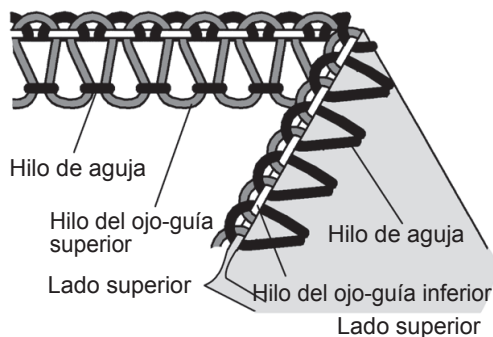
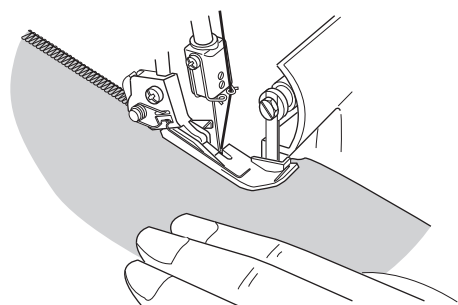
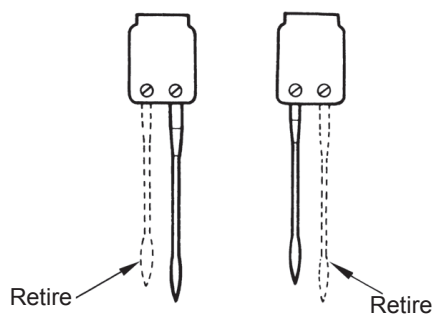
- Se consigue una puntada de doble pespunte plano ajustando la tensión de la puntada de sobreorillado de 3 hilos, cosiendo la costura y tirando de la tela hacia fuera para alisar la costura.
- La puntada de costura plana puede utilizarse como una puntada de construcción y decorativa o a efectos de adorno solamente.

(1) Puesta a punto de la máquina

- Retire la aguja izquierda o derecha.
- Empiece con la máquina enhebrada y una tensión equilibrada para la puntada de sobreorillado de 3 hilos (página 29).
- Afloje bastante la tensión de hilo de aguja (verde o azul).
- Afloje ligeramente la tensión de hilo (naranja) del ojo-guía superior.
- Afloje bastante la tensión de hilo (naranja) del ojo-guía inferior.
- Apretar bastante la tensión de hilo (amarillo) del ojo-guía inferior.

(2) Cómo hacer una costura plana

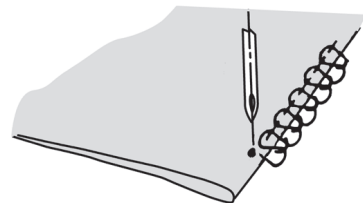
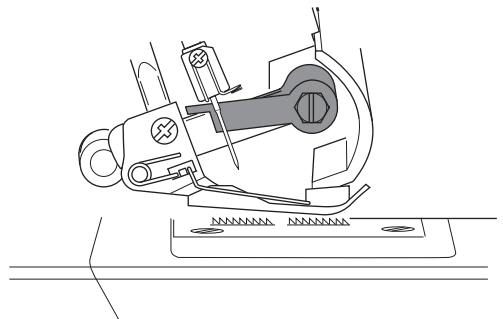
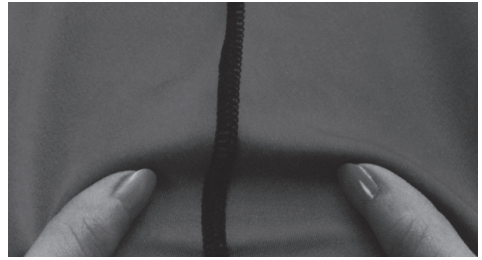
- Coloque las caras de envés de la tela juntas para coser una puntada decorativa en el lado derecho de la prenda.
- Coser la costura, recortando la tela sobrante.
- El hilo de la aguja (verde o azul) formará una V en el lado inferior de la tela.
- El hilo del ojo-guía inferior se extraerá en línea recta en el borde de la tela.



- Tire de los lados opuestos de la costura para sacar las puntadas planas.

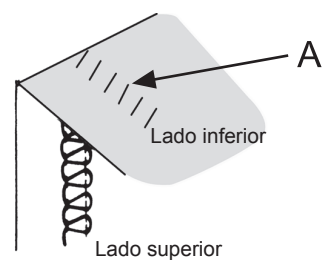
(3) Costura decorativa plana

- Coloque la cuchilla móvil superior en la posición de reposo (Pag.25). La tela no es recortada con esta puntada.
- Pliegue juntas las caras de envés de la tela.
- Coloque la tela de manera que la costura se obtenga con parte de la puntada que se extiende desde fuera de la tela.
- Tire de las caras opuestas de la tela para alisarla.



(4) Información adicional sobre costura plana de doble pespunte

- Las tensiones deberán estar correctamente ajustadas para que la tela quede plana.
- El hilo del ojo-guía superior es el hilo saliente en la puntada de costura plana. Coloque un hilo decorativo en el ojo-guía superior y los hilos poco decorativos en la aguja y ojo-guía inferior.
- Para una puntada en escalera, haga la costura con los haces juntos. El hilo de la aguja será el hilo prominente que crea la escalera (A)



Cómo coser un dobladillo ciego con sobreorillado

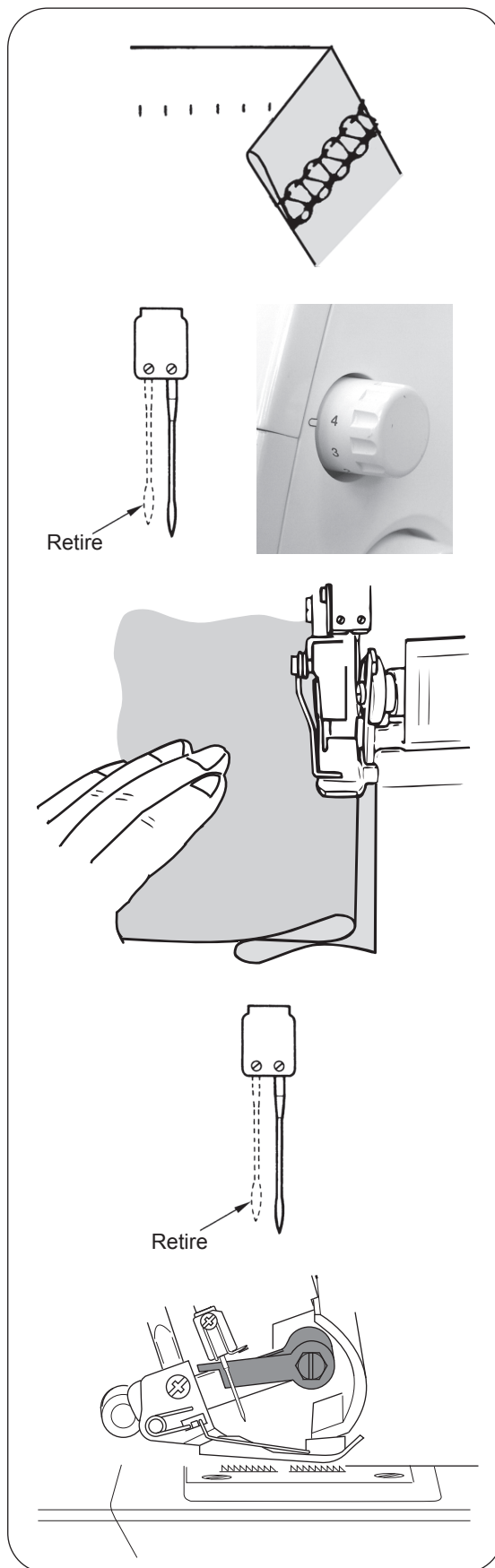
- Se recorta la tela sobrante y se cose el dobladillo y las orillas sin coser se sobreorillan en una sola operación.
- El dobladillo ciego de sobreorillado es el más adecuado para coser ropa de tejido de punto. Proporciona un acabado duradero que es casi invisible.
- Retire la aguja izquierda y ajuste la máquina a una puntada estrecha de sobreorillado de 3 hilos.

Note: Puede utilizarse también la puntada de costura plana de tres hilos.
- Coloque el dial de longitud de la puntada en 4.
- Pliegue el dobladillo por el envés de la tela y después vuelva al haz con 6 mm (1/4") más allá del pliegue.
- Hage una puntada en la orilla del dobladillo extendido, dejando que la aguja de la máquina coja apenas la orilla del pliegue.

Cómo coser pequeños pliegues

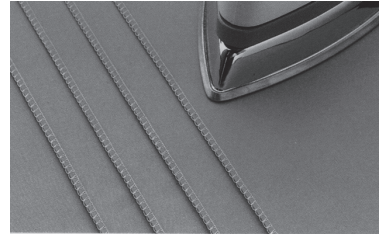
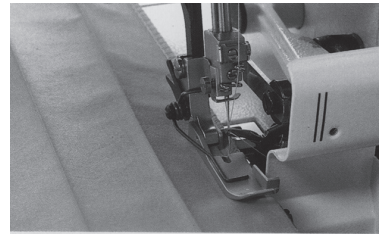
- Cose pequeños pliegues decorativos en la tela antes de cortar la prenda.
- Retire la aguja izquierda y ajuste la máquina para una puntada estrecha de sobreorillado de 3 hilos.

Nota: La puntada de dobladillo enrollado puede utilizarse también en esta técnica.
- Coloque la cuchilla superior móvil en la posición de reposo (Pág.25).
- Marque la tela con el número deseado de pliegues utilizando una marcada de tela soluble en agua.



- Pliegue la tela con los envés juntos y cosa.

- Planche los pliegues en la misma dirección.



Cómo girar esquinas cuadradas

(1) Esquina exterior

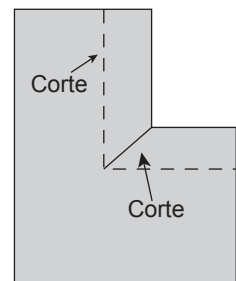
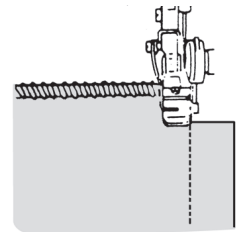
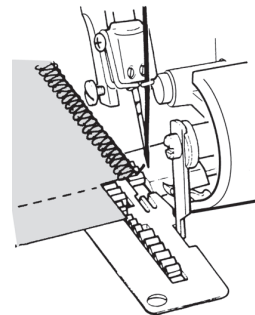
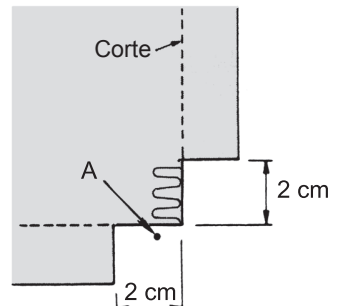
- Corte aproximadamente 2 cm (51/64") desde la esquina, en línea con la orilla de costura de sobreorillado.
- Cosa una puntada más allá del punto (a) y pare.
- Eleve la aguja y el prensatelas.
- Tire de la tela hacia la parte posterior de la máquina lo suficiente para soltar el hilo enganchado con el dedo de la placa de aguja.

Nota: El prensatelas ha sido retirado para mostrar más detalles.

- Gire la tela y baje el prensatelas de manera que la cuchilla se coloque en línea con la orilla de corte.
- Tire de los hilos flojos hacia arriba y luego empiece a coser.

(2) Esquina interior

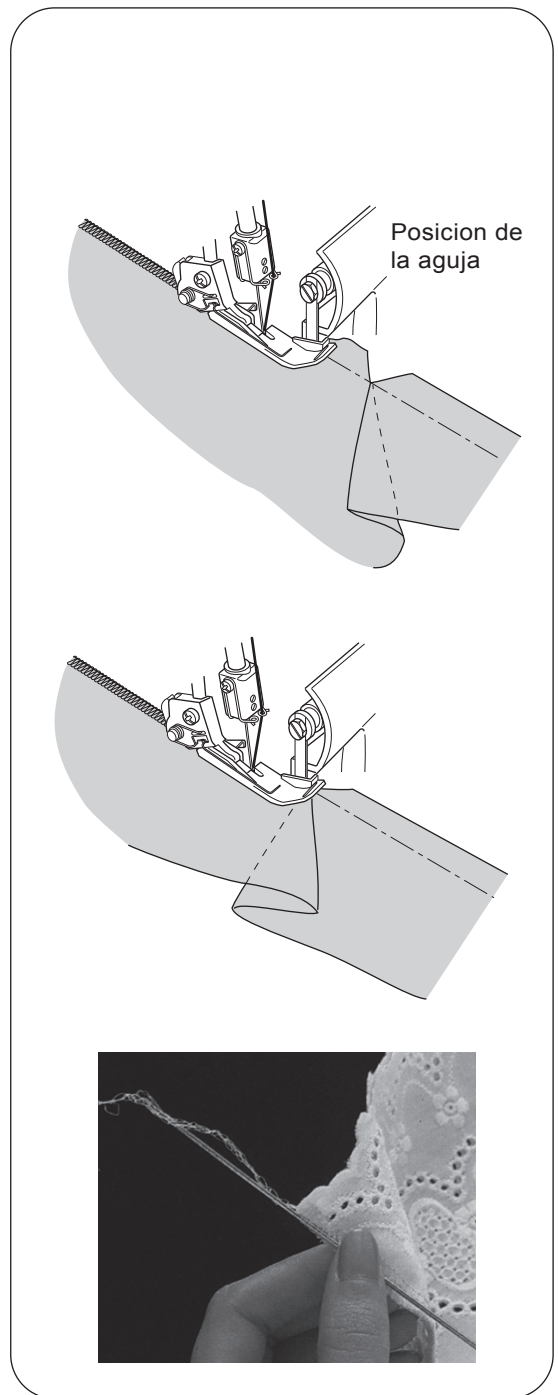
- Corte la tela en la orilla de costura.



- Coloque la cuchilla móvil superior en la posición de reposo (página 25).

- Hage una puntada en la orilla cortada de la tela.
- Pare la costura antes de llegar a la esquina y doble la tela a la izquierda para enderezar la esquina.

- Siga cosiendo lentamente manteniendo la orilla de la tela en una línea recta moviendo la tela a medida que va cosiendo.



Colocación de alfileres

- Inserte alfileres a la izquierda del prensatelas. Los alfileres será fáciles de retirar y están fuera de la acción de corte de las cuchillas.



Precaución:

Cosor sobre alfileres dañará y/o destruirá el borde de corte de las cuchillas.

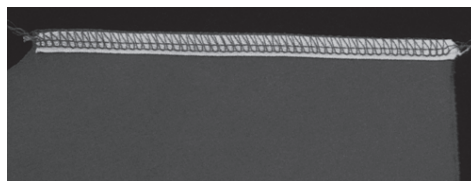
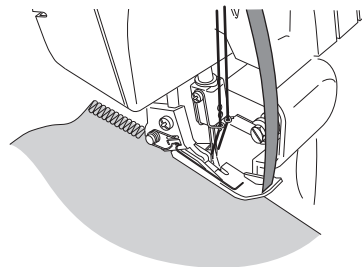
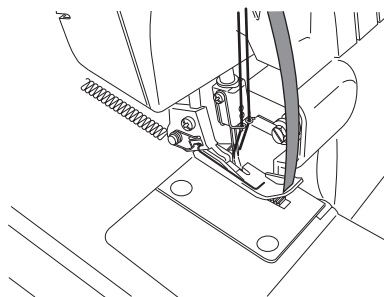
Fijación de la cadena de hilo

- Enhebre una aguja de ojo grande de coser a mano (tal como una aguja para tapicería) con la cadena de hilo.
- Introduzca la aguja en el extremo de la costura para fijar el hilo.

Nota: Para fijar una cadena de hilo de dobladillo enrollado, vea página 39.

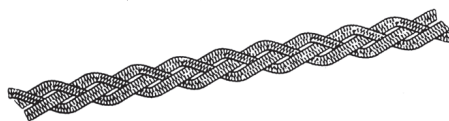
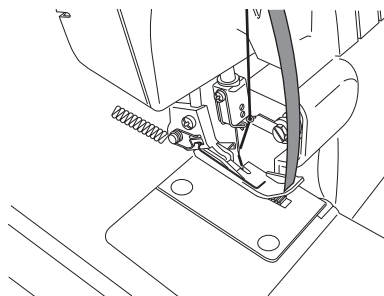
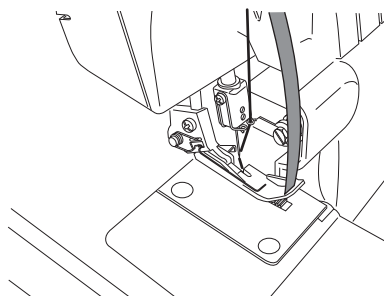
Cómo reforzar una costura

- La inserción de una cinta de sarga, mientras se cose un sobreorillado, estabilizará la costura.
 - Inserte la cinta a través del orificio en la parte frontal del prensatelas.
 - Coloque la cinta bajo el prensatelas en la parte posterior de la máquina y cose la costura de la prenda.
-
- Esta cinta se unirá a medida que se hace la costura.



Trenzado con cadeneta

- Coloque la cuchilla superior móvil en posición de reposo.
- Inserte un cordón de relleno, tal como un hilo grueso o una cinta de sarga a través del orificio de la parte frontal del prensatelas.
- Coloque el cordón de relleno bajo el prensatelas y deshaga la cadeneta a la longitud deseada.
- Los trenzados así obtenidos pueden utilizarse individualmente o urdidos en trenzas de 3 ó 4 capas.



26. MANTENIMIENTO DE LA MAQUINA

Una máquina de sobreorillado requiere más mantenimiento que una máquina convencional debido principalmente a dos razones:

- 1) Se produce una gran cantidad de hilachas debido a la acción de corte de las cuchillas.
- 2) La máquina de sobreorillado funciona a una gran velocidad y necesita ser aceiteada frecuentemente para lubricar las piezas de trabajo internas.

Limpieza de la máquina



Peligro:
Antes de limpiar su máquina, desconecte la alimentación de corriente desde la toma de pared.

- Limpie, a menudo, de hilachas la zona del ojo - guía y de las cuchillas, con un cepillo quitahilachas seco.

Nota: El cepillo quitahilachas es un elemento opcional.

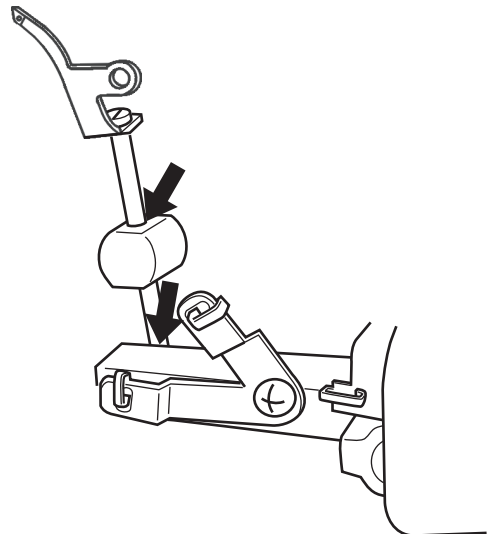
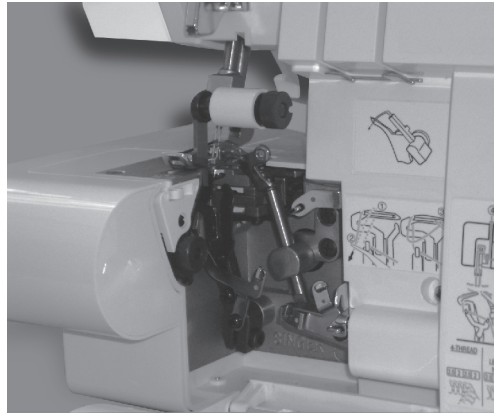
Aceitado de la máquina



Peligro:
Antes de lubricar su máquina desconecte la alimentación de corriente de la toma de pared.

- Los puntos de engrase mostrados en el diagrama, deberán aceitearse periódicamente

Nota: Utilice aceite especial para máquinas de coser. No utilice otro tipo de aceite, puesto que podría resultar dañada la máquina.

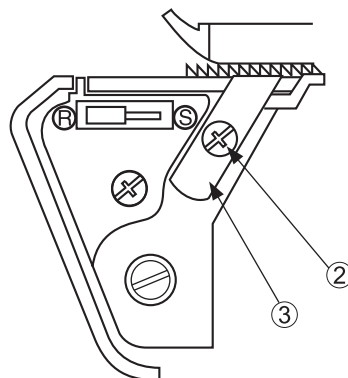
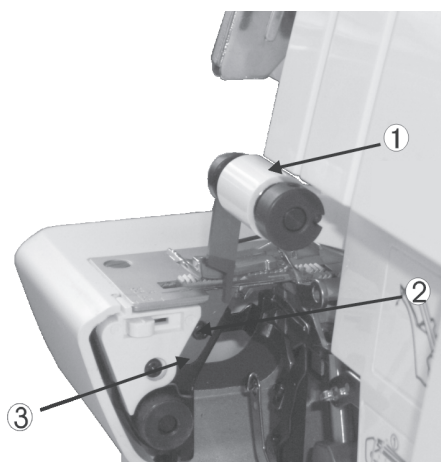


Cómo sustituir la cuchilla fija



Peligro:
Antes de sustituir la cuchilla fija, desconecte la alimentación de corriente de la toma de pared.

- La cuchilla fija deberá sustituirse cuando esté gastada.
- La cuchilla fija podrá sustituirse de acuerdo con las instrucciones facilitadas; sin embargo, si se presentan algunas dificultades, consulte con su representante Singer para hacer los ajustes oportunos.
- Asegúrese de que el cable de alimentación de corriente está desconectado de la fuente de suministro de electricidad.
- Abra la tapa del ojo-guía y coloque la cuchilla superior móvil 1 en posición de reposo (página 25)
- Afloje el tornillo de ajuste de la cuchilla fija 2 y retire la cuchilla fija 3.
- Coloque una nueva cuchilla fija en la ranura del soporte de cuchilla fija.
- Apriete el tornillo ajuste de la cuchilla fija 2.
- Vuelva la cuchilla superior móvil 1 a su posición de trabajo.



27. TABLA DE LOCALIZACIÓN DE AVERÍAS

Problema	Solución	Paginá
La tela no se transporta bien	• Alargar la longitud de puntada.	21
	• Aumentar la presión del prensatelas para telas pesadas.	22
	• Disminuir la presión prensatelas para telas ligeras.	22
Agujas rotas	• Insertar correctamente la aguja.	11
	• No tirar de la tela mientras se cose.	29
	• Apretar el tornillo de ajuste de la aguja.	11
	• Utilizar una aguja más grande en telas pesadas.	7
Hilos rotos	• Comprobar el enhebrado.	12~19
	• Comprobar si el hilo está enredado o enganchado.	20
	• Insertar la aguja correctamente.	11
	• Insertar una nueva aguja, la aguja actual puede estar doblada o tener la punta roma.	7
	• Utilizar un hilo de alta calidad.	50
	• Aflojar la tensión del hilo.	31~39
Falta de puntadas	• Insertar una nueva aguja, la aguja actual puede estar doblada o tener la punta roma.	7
	• Apretar el tornillo de ajuste de la aguja.	11
	• Insertar la aguja correctamente.	11
	• Cambiar el tipo o tamaño de la aguja.	7
	• Comprobar el enhebrado.	12~19
	• Aumentar la presión del prensatelas.	22
	• Utilizar hilo de alta calidad.	50
Puntadas irregulares	• Equilibrar la tensión del hilo.	31~39
	• Comprobar si el hilo está enredado o enganchado.	20
	• Comprobar el enhebrado.	12~19
Arrugas en la tela	• Aflojar la tensión del hilo.	31~39
	• Comprobar si hay hilo enredado o enganchado.	20
	• Utilizar hilo de alta calidad ligero.	50
	• Acortar la longitud de la puntada.	21
	• Disminuir la presión del prensatelas para telas ligeras.	22
Corte irregular	• Comprobar la alineación de las cuchillas.	48
	• Sustituir una o ambas cuchillas.	48
Atascos de la tela	• Cerrar la tapa del ojo-guía antes de coser.	9
	• Comprobar si hay hilo enredado o enganchado.	20
	• Comprimir las capas gruesas de la tela con una máquina convencional antes de coser con la máquina sobreorillado.	
La máquina no funciona	• Conectar la máquina a la fuente de alimentación.	9

28. RELACION ENTRE TIPOS DE TELA,HILO Y AGUJA

Tipo de Tela	Tipo de Hilo	Aguj Nº Cat. Singer 2002
<p>Peso Ligero</p> <p>Lino, Organdi Gasa, Crespón,etc.</p>	<p>Algodón: # 100 Seda: # 100 Viscosilla: # 80 - #90 Tetron: # 80 - # 100</p>	#11
<p>Peso Mediano</p> <p>Muselina, Setén, Gabardina, tejido ancho, de estambre, etc.</p>	<p>Algodón: # 60 # 80 Seda: # 50 Viscosilla: # 60 - #80 Tetron: # 60 - # 80</p>	#11, #14
<p>Peso pesado</p> <p>Oxford, Tela vaquera, Tweed, Pana acordonada, Sarga</p>	<p>Algodón: # 40 - # 60 Seda: # 40 - # 60 Viscosilla: # 60 - #80 Tetron: # 50 - # 80</p>	#16
<p>Tejido de Punto</p> <p>Tricot</p>	<p>Viscosilla: # 80 - #90 Tetron: # 60 - # 80</p>	#11
<p>Jersey</p>	<p>Viscosilla: # 60 - #80 Tetron: # 60 - # 80 Algodón: # 60 - # 80</p>	#11, #14
<p>Lana (urdida, tejido de punto)</p>	<p>Viscosilla: # 60 - #80 Tetron: # 50 - # 60 Nylon lanoso Tetron lanoso</p>	#11, #14

Aguja Singer, Nº Catálogo 2022. Sin embargo, se suministra con la máquina.

Se recomienda que seleccione su aguja de acuerdo con el material que está cosiendo.

29. ESPECIFICACION

Elemento	Especificación
Velocidad de cosido Longitud de la puntada (magnitud transporte) Relación transporte diferencial. Ancho puntada sobreorillado Carrera de barre de agujas Elevación prensatelas Aguja	1,200 ± 150 rpm 1 ~ 4mm (estándar: dobladillo enrollado F-2, sobreorillado ordinario 3.0). 1:07 a 1:2 (con máquina de transporte diferencial) Dobladillo enrollado 1,5 mm, sobreorillado ordinario 3.0 a 6,7 mm (estándar 3.5mm) 27mm 4.5 ~ 5.0mm № Cat. SINGER 2022 #14 № Cat. SINGER 2022 #16
Modelo Número de hilos Dimensiones máquina (mm) Ancho Fondo Altura	X5004-HD 2,3,4 338 280 265
Peso (Kg)	6.2

X5004-HD (SURJETEUSE 2 . 3 . 4 FILS HEAVY DUTY)

Brochure D'instructions

PREFACE

En faisant l'acquisition de cette machine à coudre à usage domestique, vous venez de vous assurer d'excellents résultats pour votre couture, des tissus des plus légers (batiste) aux plus épais (denim). Pour obtenir entière satisfaction de votre machine à coudre et pour en augmenter la longévité, lisez attentivement les conseils d'utilisation contenus dans ce manuel avant de l'utiliser. Familiarisez-vous ensuite avec la machine en suivant le mode d'emploi page par page.

Afin de vous faire toujours bénéficier des possibilités les plus modernes en matière de couture, le fabricant se réserve le droit de modifier l'aspect, la conception ou les accessoires de cette machine à coudre, lorsqu'il le juge utile, sans aucun autre préavis.

Pour les Territoires Européens:

Cette machine à coudre Singer a été testée conformément aux normes européennes et répond aux directives de sécurité électrique, d'interférence radio et d'immunité électromagnétique.

La conformité aux normes est confirmée par l'identification



CONSIGNES DE SÉCURITÉ IMPORTANTES

- * Si le câble d'alimentation est endommagé, il doit être remplacé par le constructeur, par un agent du service après-Vente ou par une personne qualifiée de façon similaire afin d'éviter tout danger.
- * Cet appareil n'est pas conçu pour des personnes (incluant les enfants) ayant un handicap physique, sensoriel ou mental, ni par des personnes inexpérimentées, à moins qu'elles soient supervisées ou formées adéquatement par une personne responsable de leur sécurité.
- * Surveillez les jeunes enfants pour vous assurer qu'ils ne jouent pas avec la machine.
- * Éteignez la machine ou débranchez-la quand elle n'est pas utilisée.
- * Avant de procéder à l'entretien, débrancher l'appareil.
- * Si le voyant lumineux est endommagé, il doit être remplacé par un technicien agréé.

Il est important d'observer des précautions de sécurité élémentaires lors de l'utilisation de la machine et notamment celles qui suivent.

Veuillez lire l'ensemble de la notice avant l'utilisation de la machine.

Élimination correcte du produit



Ce marquage indique que ce produit ne doit pas être jeté avec les autres ordures ménagères au sein de l'Union Européenne. Pour éviter que l'élimination incontrôlée des déchets ne nuise à l'environnement ou à la santé humaine, recyclez ce produit responsablement pour promouvoir la réutilisation durable des ressources matérielles. Pour retourner votre appareil usagé, veuillez utiliser les systèmes de retour et de collecte, ou bien contactez le revendeur où le produit a été acheté. Ils appliqueront une démarche de recyclage du produit sûre pour l'environnement.

CE - Authorised Representative

VSM Group AB, SVP Worldwide

Drottninggatan 2, SE-56184, Huskvarna, SWEDEN

CONSIGNES DE SECURITE



DANGER - pour réduire le risque de décharge électrique:

- * Ne laissez pas la machine sans surveillance lorsqu'elle est branchée. Débranchez la machine immédiatement après l'utilisation et avant le nettoyage.



AVERTISSEMENT - pour réduire le risque de brûlure, de feu, de décharge électrique ou de blessure aux personnes.

- * Assurez-vous que le voltage du moteur correspond bien à celui de votre installation électrique.
- * Cette machine est conçue pour un usage familial et ne doit pas être utilisée pour un usage professionnel. Utilisez exclusivement les accessoires conseillés dans cette brochure.
- * Pour débrancher la machine, positionnez l'interrupteur sur 0 puis retirer la prise de courant.
- * Débranchez la machine ou positionnez l'interrupteur sur 0 lorsque vous effectuez des opérations telles que changement d'aiguille, enfilage des aiguilles ou des boucleurs, changement de plaque à aiguille ou de pied presseur, etc.
- * Débranchez la machine lorsque vous tirez des caches, lubrifiez le mécanisme ou lors de toutes les opérations d'entretien décrites dans cette brochure.
- * N'essayez pas de régler vous-même la courroie du moteur. Si un réglage s'avère nécessaire, contactez le service après vente.
- * Pour débrancher la machine ne tirez pas le fil électrique, tirez la prise.
- * Manipulez le rhéostat avec attention et évitez de le faire tomber. Assurez-vous que rien n'est posé dessus.
- * Utilisez la plaque à aiguille correspondante au travail à effectuer. Une plaque non conforme peut occasionner la casse de l'aiguille.
- * N'utilisez pas d'aiguille tordue.
- * Lors de la couture, éloignez vos doigts de toute pièce en mouvement, et plus particulièrement de l'aiguille.
- * Ne tirez ni ne poussez le tissu lors de la couture: cela peut entraîner la casse de l'aiguille.
- * Utilisez exclusivement la poignée pour soulever ou déplacer la machine.
- * N'utilisez pas la machine si le cordon ou la prise électrique est endommagé, si la machine ne fonctionne pas correctement, si elle est tombée ou endommagée, si elle a été exposée à l'eau ou a été immergée. Contactez le service après vente pour tout examen, réglage ou réparation électrique ou mécanique.
- * Gardez les ventilateurs d'aération de la machine et du rhéostat libres de toute obstruction par de la poussière, bourre ou tissu.

- * N'insérez ni ne faites tomber d'objets dans les ouvertures de la machine.
- * N' utilisez pas la machine à l'extérieur.
- * Ne pas utiliser lorsque dans la même pièce on utilise en même temps un aérosol ou l'on administre de l'oxygène.
- * Cette machine n'est pas un jouet. Une attention particulière est nécessaire lorsqu'elle est utilisée par des enfants ou en présence de ceux-ci.
- * N'exposez pas la machine directement au soleil. Ne l'entreposez pas dans un endroit très chaud ou humide.
- * Ne pas toucher la machine le rhéostat ou cordon d'alimentation avec des mains ou des chiffons mouillés.
- * Ne pas contacter le cordon d'alimentation sur une rallonge avec d'autres rallonges branchées avec un adaptateur sur la même prise de courant.
- * Utilisez la machine sur une surface stable et plate.
- * Assurez-vous que les carters sont à leur place avant d'utiliser la machine.
- * Gardez le pied presseur et les aiguilles hors de la portée des enfants.
- * Ne démontez ni ne modifiez la machine vous-même.
- * Assurez-vous que la machine est hors tension et débranchée avant d'entreprendre les opérations d'entretien décrites dans le moded'emploi.

Cet appareil peut être utilisé par des enfants de plus de 8 ans ainsi que des personnes ayant des capacités physiques, sensorielles ou mentales réduites ou un manque d'expérience et de connaissances, s'ils sont supervisés ou ont reçu des instructions quant à l'utilisation de l'appareil en toute sécurité et s'ils comprennent les éventuels risques encourus. Les enfants ne doivent pas jouer avec l'appareil. Le nettoyage et l'entretien à réaliser par l'utilisateur ne doivent pas être effectués par des enfants sans surveillance

La machine ne doit être utilisée qu'avec une pédale du type GTC/HKT 72C (220-240V), GTE/HKT 7 (100-120V) fabriquée par DANYANG GUOTI MOTOR & APPLIANCE CO., LTD/ZHEJIANG HUAXING ELECTRIC MOTOR CO.,LTD.

GARDEZ CES INSTRUCTIONS

Le service après vente doit être fait par des représentants de service après vente autorisés.

Ce produit n'est pas destiné à un usage industriel

Pour l'Europe et les territoires similaires:

Les machines pour la Grande Bretagne ou les autres pays ont une norme de fil similaire sans une prise. Pour connecter l'électricité, les fils sont colorés selon les codes suivants:

Bleu : neutre (N) Marron : électroifié (L)

Si les couleurs des fils ne correspondent pas à ceux du terminal de votre prise, suivre les codes ci-dessous:

Le fil coloré de bleu doit être connecté avec le terminal marqué de N ou coloré de noir. Le fil coloré de marron doit être connecté avec le terminal marqué de L ou coloré de rouge. Si une prise de 13 Amp est utilisée, utiliser un plomb de 3 Amp. Si les autres types de prises sont utilisés, utiliser un plomb de 5 Amp dans la prise ou l'adaptateur ou sur le distributeur.

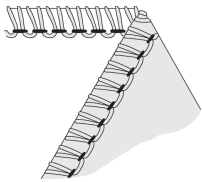
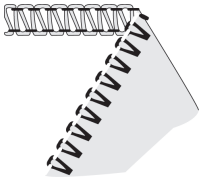
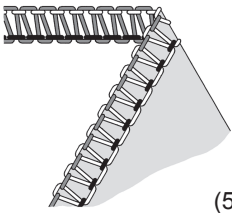
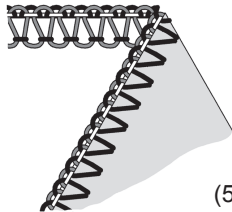
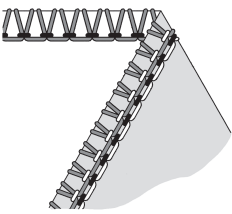
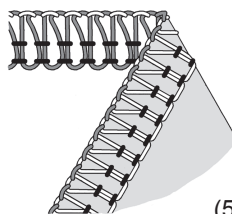
Aucun fil est connecté avec le terminal terrestre de la prise triphasée.

SOMMAIRE

	PAGE		PAGE
1. Tableau des points.....	5	21. Dégagement de la chaînette et test de couture ...	29
2. Tableau de réglage des points.....	6	22. Commencer et Terminer une Couture	30
3. Accessoires.....	7	• Pour Commencer une Couture	30
4. Aiguilles	7	• Pour Terminer une Couture	30
5. Parties Pincipales	8	23. Réglage de la Tension.....	31
6. Comment ouvrir le cache-boucleurs	9	1) Surjet enveloppant deux fils	31
7. Parties principales derrière le cache-boucleurs ...	9	2) Ourlet roulotté deux fils.....	32
8. Préparation avant de coudre	9	3) Surjet 3 fils	33
9. Préparation pour l'enfilage	10	4) Surjet 3 fils plat	34
• Installation du guide-fil	10	5) Surjet 3 fils bordé	35
10. Comment retirer et mettre en place une aiguille ...	11	6) Point de faux-safety ultra extensible à 4 fils.....	36
• Comment retirer l'aiguille	11	24. Comment réaliser un ourlet roulotté	37
• Comment mettre en place una Aiguille	11	1) a. Surjet enveloppant deux fils.....	38
11. Comment enfiler la machine.....	12	b. Ourlet roulotté deux fils.....	38
• Schéma d'enfilage.....	12	2) a. Ourlet roulotté 3 fils standard	39
• Code couleur	12	b. Ourlet roulotté 3 fils brode	39
• Enfilage correct	12	25. Conseils de coutrure.....	41
1) Boucleur en haut(orange).....	12	• Réalisation d'un surjet décoratif.....	41
2) Boucleur en bas(jaune).....	14	• Réalisation d'un ourlet invisible	43
3) Aiguille droite(verte)	16	• Réalisation de nervures	43
4) Aiguille gauche(bleue)	18	• Les coins à angle droit.....	44
• Conseils importants pour l'enfilage.....	19	• Comment placer les épingles.....	45
12. Comment changer de fil: Méthode à noeuds.....	20	• Comment arrêter les fils	45
13. Comment régler la longueur du point	21	• Comment renforcer la couture	46
14. Comment régler la largeur du point.....	21	• Réalisation de ganses.....	46
• Changement de la position d'aiguille	21	26. Entretien de la machine	47
• Molette de réglage de la largeur du point	21	• Nettoyage de la machine.....	47
15. Comment régler la pression du pied presseur	22	• Lubrification de la machine	47
16. Entraînement différentiel	23	• Comment remplacer le couteau fixe	48
• Surjet resserré.....	23	27. Que faire si.....	49
• Sujet étiré.....	24	28. Relation entre le tissu, le fil et l'aiguille	50
17. Comment débrayer le couteau mobile	25	29. Caractéristiques techniques	51
18. Convertir le boucleur supérieur au convertisseur...	26		
19. Bras libre.....	27		
20. Surjet standard et ourlet roulotté	28		
• Couture d'un surjet standard	28		
• Couture d'un ourlet roulotté.....	28		

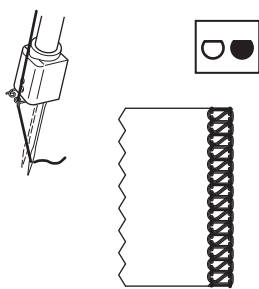
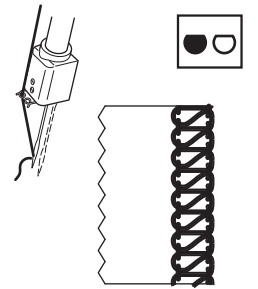
1. TABLEAU DE POINTS

Cette machine peut réaliser différents types de points en combinant les différentes possibilités de positions d'aiguille, de méthodes d'enfilage, de réglages de la tension du fil.


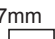

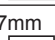

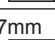

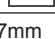
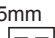


Type de point			page de référence	
1. Surjet enveloppant deux fils		(502)	Point I-aiguille, 2-fils, est utilisé pour les tricots et tissus délicats. Régler la largeur de point à 3.5mm ou 5.7mm en changeant la position de l'aiguille. *	31
2. Ourlet roulotté deux fils.		(503)	Point I-aiguille, 2-fils, est utilisé pour la finition des lisières, et les ourlets. Régler la largeur de point à 3.5mm ou 5.7mm en changeant la position de l'aiguille. *	32
3. surjet 3 fils		(504)	Ce point à 3 fils et I aiguille est utilisé pour surjeter et coudre des tissus courants. Selon la position d'aiguille choisie, on obtient une largeur de surjet de 3.5mm ou de 5.7mm. *	33
4. surjet 3 fils plat		(505)	Ce point à 3 fils et I aiguille est utilisé pour les coutures d'assemblage bord à bord et pour les coutures avec fils décoratifs. Selon la position d'aiguille choisie, on obtient une largeur de surjet de 3.5mm ou 5.7mm. *	34
5. surjet 3 fils bordé		(506)	Ce point à 3 fils et I aiguille est utilisé pour les ourlets roulottés étroits ou les bords décoratifs. Selon la position d'aiguille choisie, on obtient une largeur de surjet de 3.5mm ou 5.7mm. *	35
6. Surjet de Sûreté Extensible à Quatre Fils		(514)	Ce point à 4 fils et 2 aiguilles est idéal pour les tissus extensibles moyens et lourds, tels que le jersey double et les matières pour les maillots de bain.	36

* Selon la position d'aiguille choisie cette machine peut réaliser un surjet 2 ou 3 fils standard d'une largeur de 3.5mm ou de 5.7mm.

Pour la couture de tissus lourds vous pouvez encore augmenter la largeur du surjet à l'aide de la molette de réglage de la largeur du point. (Voir page 21)

Largeur du surjet	3.5mm	5.7mm
Aiguille utilisée	Aiguille de surjet droite	Aiguille de surjet gauche
Molette de tension du fil	Verte	Bleue
		

2. TABLEAU DE REGLAGE DE POINTS

Type de point		Position d'aiguille	Les molettes de réglage Les chiffres indiqués ci-dessous correspondent à des réglages moyens pour tissu moyen, avec un fil polyester No.80					Page
			Blue	Green	Orange	Yellow	Convertisseur/ Boucleur supérieur	
1	Surjet enveloppant deux fils (502)	3.5mm 		4.0		2.0	Convertisseur	31
		5.7mm 	3.5			1.0	Convertisseur	
2	Ourlet roulotté deux fils (503)	3.5mm 		0.5		6.0	Convertisseur	32
		5.7mm 	0.5			5.0	Convertisseur	
3	Surjet 3 fils (504)	3.5mm 		3.0	3.0	3.0	Boucleur supérieur	33
		5.7mm 	3.0		3.0	3.0	Boucleur supérieur	
4	Surjet 3 fils plat (505)	3.5mm 		0.5	5.0	7.0	Boucleur supérieur	34
		5.7mm 	0.5		5.0	7.0	Boucleur supérieur	
5	Surjet 3 fils bordé	3.5mm 		3.0	1.0	7.0	Boucleur supérieur	35
		5.7mm 	5.0		0	8.5	Boucleur supérieur	
6	Faux-safety à 4fils ultra extensible (514)		3.0	3.0	3.0	3.0	Boucleur supérieur	36

La tension du fil augmente lorsque la molette est tournée vers les chiffres les plus élevés. Les tensions sur cette page ainsi que dans tout le mode d'emploi, sont données à titre indicatif. Ajuster la tension du fil en fonction du tissu et de l'épaisseur du fil utilisé. Pour obtenir les meilleurs résultats, ne pas modifier le réglage de plus de 0.5 à la fois.

3. ACCESSOIRES

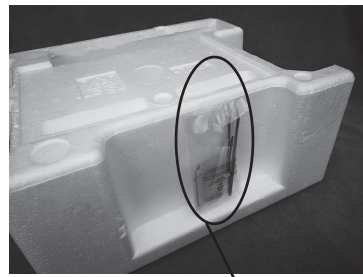
Les accessoires sont contenus dans le carton sur le polystyrène.

	X5004-HD
1. Jeu d'aiguille	1
2. Tournevis (petit)	1
3. Pince	1
4. Convertisseur	1
5. Pinceau à poils avec orifice pour le montage d'aiguille	1
6. Couteau inférieur de rechange	1
7. Sac de déchets(dans le carton)	1

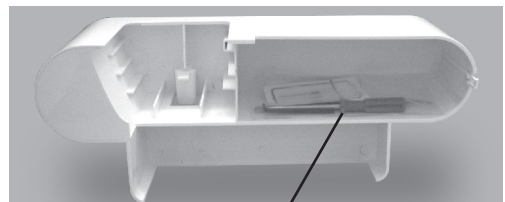
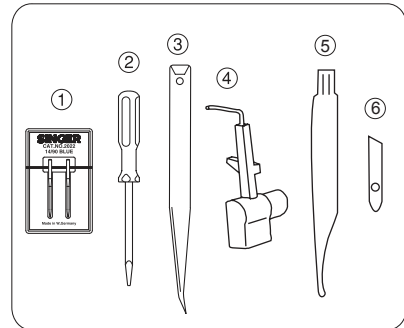
Vous pouvez ranger ces accessoires dans le bac à accessoires du plateau avant, après avoir ouvert le carton.

4. INFORMATION SUR LES AIGUILLES

- Les aiguilles SINGER #2022 taille 100/16 (montées sur la machine) et taille 90/14(dans la boîte d'accessoires) sont fournies avec la machine.
- Les aiguilles SINGER #2022 taille 100/16 sont conçues pour être utilisées avec des tissus épais. Il est recommandé de changer les aiguilles pour travailler sur des tissus plus légers. Veuillez vous rendre page 50 pour trouver plus d'informations sur la relation entre le tissu, le fil et l'aiguille.
- En cas d'urgence, les aiguilles SINGER #2020 peuvent être utilisées.
- Mais si la tension proposée n'est pas réajustée, cela peut causer des manques de points



Les accessoires

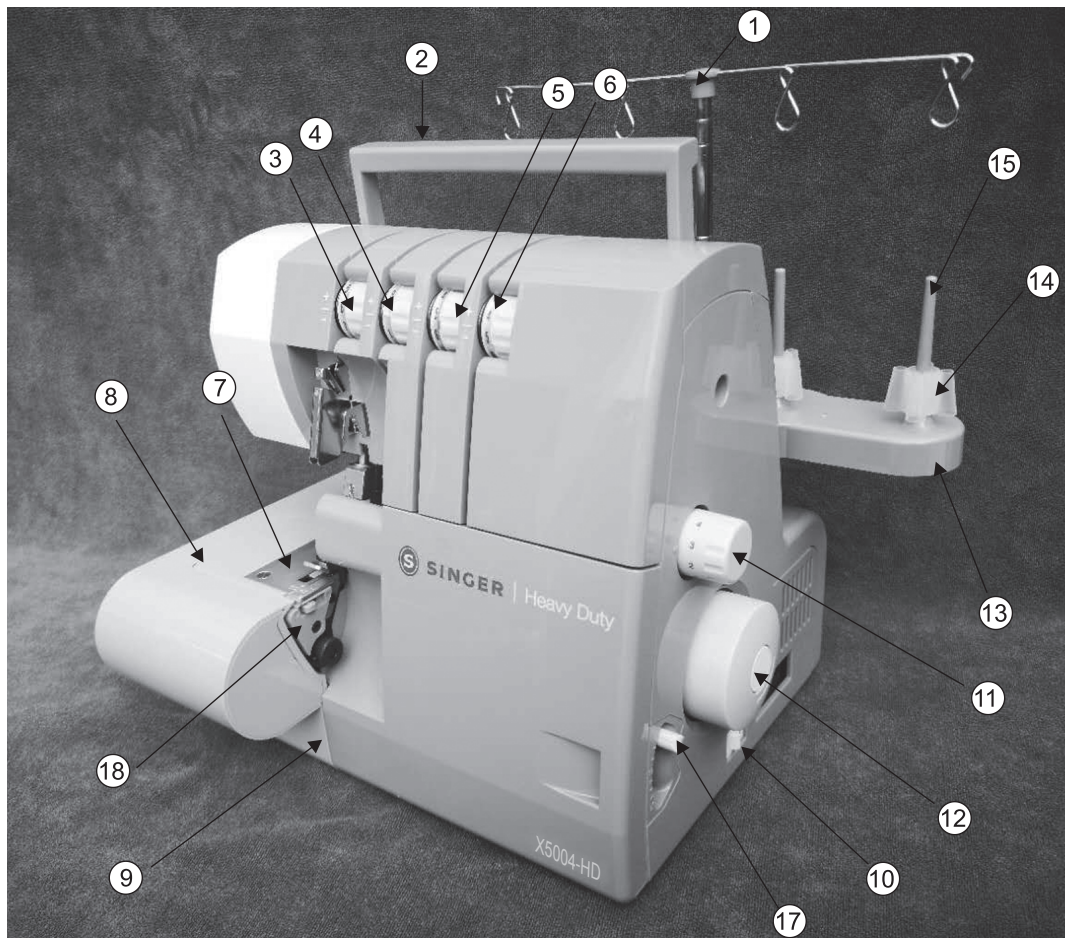
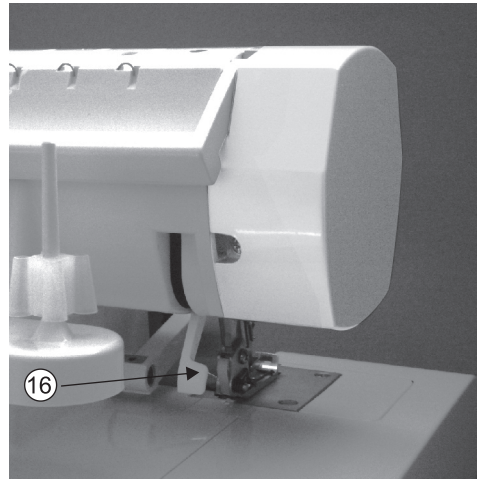


ranger ces accessoires

	Aiguille Singer N° 2022
Tailles disponibles	80/11 90/14 100/16

5. PARTIES PRINCIPALES

1. Guide-fil
2. Poignée
3. Molette de tension du fil de l'aiguille de gauche (bleue)
4. Molette de tension du fil de l'aiguille de droite (verte)
5. Molette de tension du fil du boucleur en haut (orange)
6. Molette de tension du fil du boucleur en bas (jaune)
7. Plaque à aiguille
8. Plateau avant
9. Cache-boucleure
10. Interrupteur marche-arrêt/lumière
11. Molette réglage de la longueur du point
12. Volant
13. Support de cône
14. Adaptateur de cône
15. Porte cône
16. Releveur du presse-étouffe
17. Levier de réglage de l'entraînement différentiel
18. Plaque de support



6. COMMENT OUVRIR LE CACHE-BOUCLEURS



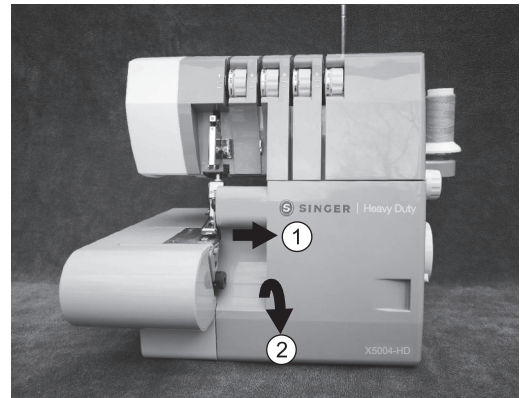
Attention!
Positionnez l'interrupteur marche-arrêt sur "0".

- Poussez le cache vers la droite le plus loin possible (1).

Tirez le cache vers vous (2).

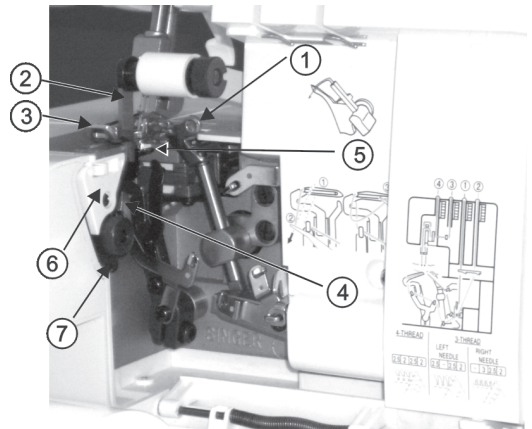


Attention!
Vérifiez que le cache-boucleurs est bien fermé lorsque vous cousez.



7. PARTIES PRINCIPALES DERRIERE LE CACHE-BOUCLEURS

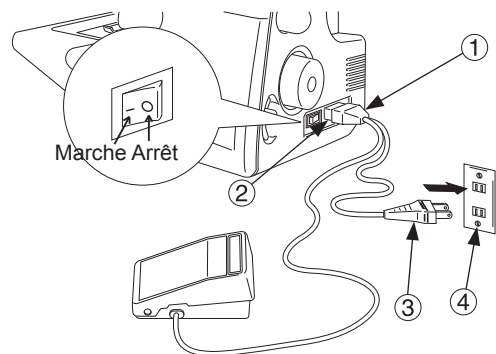
1. Boucleur supérieur
2. Couteau mobile
3. Pied presseur
4. Couteau fixe
5. Boucleur inférieur
6. Sélecteur de largeur du doigt mailleur
7. Molette de réglage de la largeur du point



8. PREPARATION AVANT DE COUDRE

correspondante sur la machine (2).

- branchez le câble (3) dans une prise de courant (4).
- L'interrupteur Marche/Arrêt:
 - “-” Marche
 - “0” Arrêt
- Pour faire fonctionner la machine et pour contrôler la vitesse, appuyez sur le rhéostat.
- Plus vous appuyez, plus la vitesse augmente.
- Pour arrêter la machine, reâchez la rhéostat complètement.



Avertissement:

Utiliser exclusivement le rhéostat fourni avec cette machine. (Le modèle YC-482 est utilisable seulement pour les Etats Unis et le Canada). Suivez les instructions de la page suivante.

INFORMATION SUR LA PRISE POLARISEE (SEULEMENT POUR LES ETATS-UNIS ET LE CANADA)

Cet appareil a une prise polarisée (une lame plus large que l'autre) Pour éviter le risque du choc électrique, cette prise est destinée à la prise de courant polarisée. Si la fiche ne correspond pas à la prise de courant, l'inverser, si elle n'entre toujours pas, contactez un électricien qualifié pour installer une prise de courant convenable. Ne pas modifier la fiche.



AVERTISSEMENT:

- * Assurez-vous que le voltage indiqué sur la plaque signalétique de votre machine correspond à celui de votre installation électrique.
- * Manipulez le rhéostat avec attention et évitez de le faire tomber. Assurez-vous que rien n'est posé dessus.
- * Débranchez la machine de la prise de courant lorsque vous changez d'aiguille, de pied presseur ou de plaque à aiguille, ou lorsque vous laissez la machine sans surveillance. Ceci évitera que la machine se mette en route, si vous appuyez accidentellement sur le rhéostat.

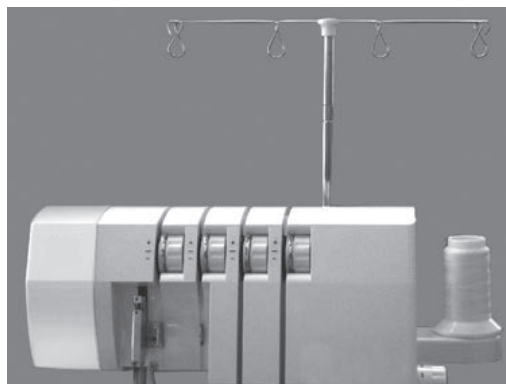
9. PREPARATION POUR L'ENFILAGE

Installation du guide-fil télescopique rentré

- Cette machine est livrée le guide-fil télescopique rentré.
- Allongez le support du guide-fil au maximum.
- Un déclic se fait entendre lorsque les deux articulations du télescope sont bien positionnées.

- Centrez les guides-fils au-dessus des porte-cônes.
- Placez le fil sur les porte-cônes munis d'adaptateur.

Note: Si la machine est déjà enfilée, démêlez les fils avant de coudre.



10. COMMENT RETIRER ET INSERER LES AIGUILLES

Pour retirer les aiguilles



Attention!
Vérifiez que la prise de courant soit bien débranchée avant de retirer les aiguilles.

- Tournez le volant vers vous jusqu'à ce que les aiguilles soient en position haute.

- A l'aide du petit tourne-vis, deserrez, mais ne retirez pas la vis de serrage de l'aiguille.

1. vis de serrage de l'aiguille gauche
2. vis de serrage de l'aiguille droite
3. emplacement de l'aiguille gauche
4. emplacement de l'aiguille droite

- Retirer la ou les aiguilles

Comment insérer les aiguilles

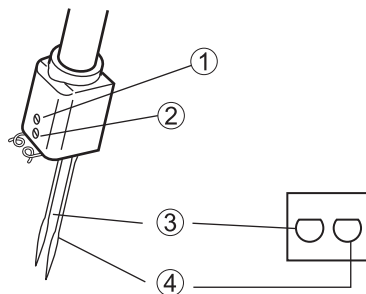
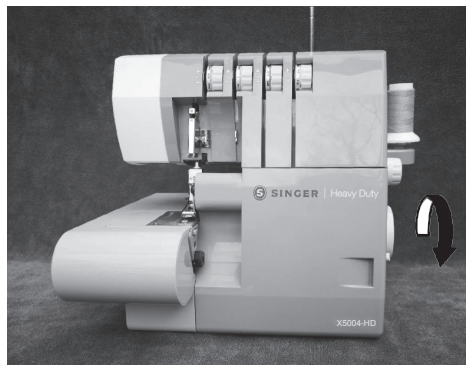
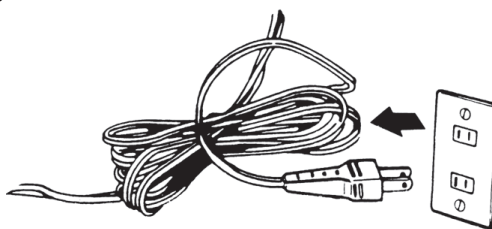


Attention!
Vérifiez que la prise de courant soit bien débranchée avant de remettre en place les aiguilles.

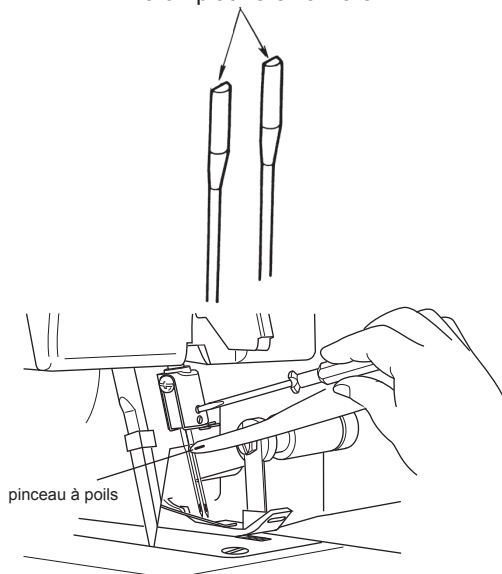
- Tenez l'aiguille talon plat vers l'arrière.
- Insérer l'aiguille dans le support-aiguille aussi loin que possible.
- Serrer fort la vis de serrage de l'aiguille.

Note: * Cette machine utilise des aiguilles Singer No2022. Reportez-vous à la page 7 pour les informations complémentaires sur les aiguilles.

- * Pour faciliter le changement d'aiguille, retirer le plateau avant.



Talon plat vers l'arrière



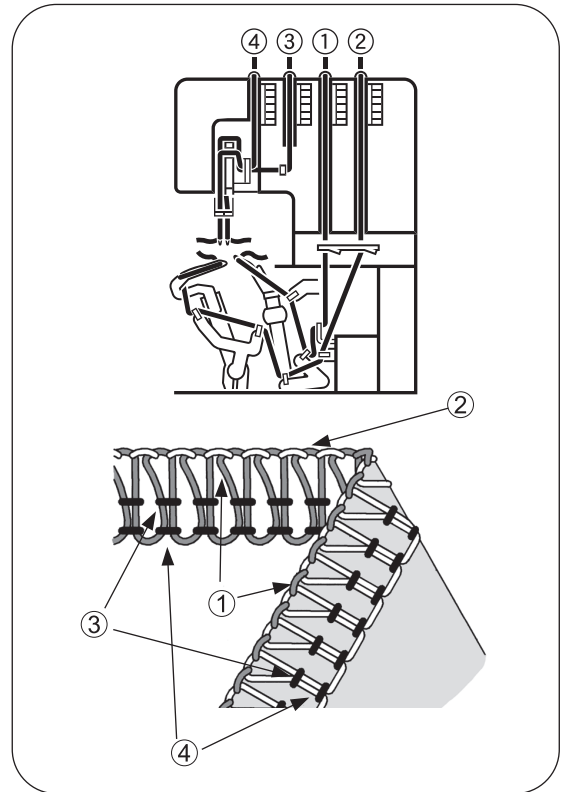
11. ENFILAGE DE LA MACHINE

Schéma d'enfilage

- Un schéma d'enfilage avec des repères couleurs se trouve sur le cache-boucleurs pour un enfilage rapide.
- Enfilez la machine en suivant les étapes de 1 à 4 comme illustré ci-contre.

Explication des codes couleurs

- 1 fil du boucleur supérieur.....orange
- 2 fil du boucleur inférieur..... jaune
- 3 fil de l'aiguille droite verte
- 4 fil de l'aiguille gauche.....bleue



Enfilage correct de la machine



Attention!

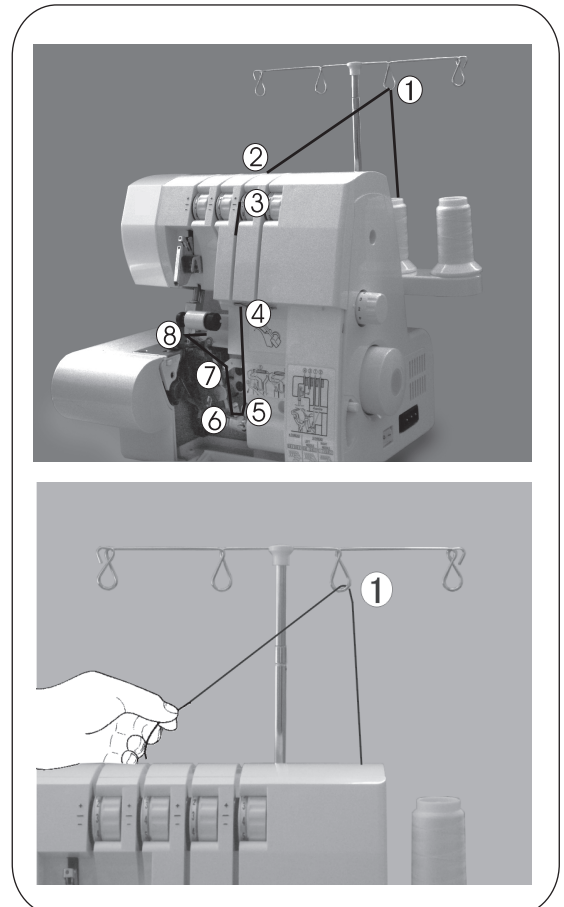
Vérifiez que l'interrupteur marche-arrêt soit sur la position arrêt "0".

Le pied-de-biche doit être relevé avant l'enfilage.

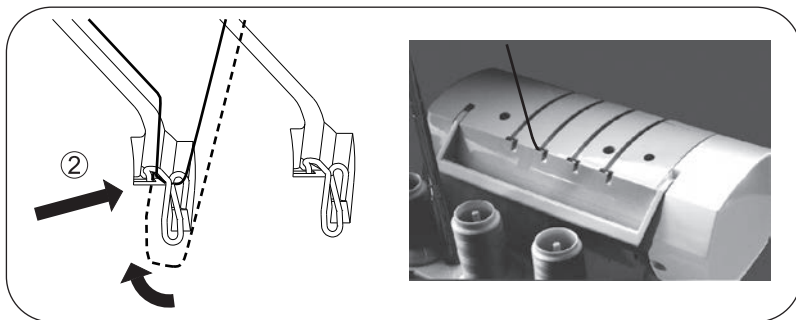
Vous DEVEZ ré-enfiler les 4 fils, si l'un d'eux casse.

1) Enfilage du boucleur supérieur (orange)

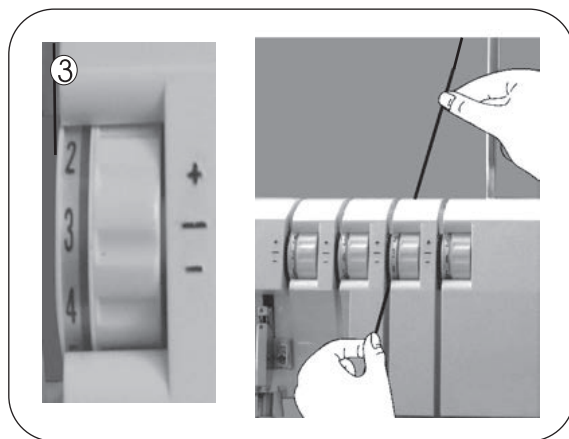
- Enfilez le boucleur supérieur en suivant les étapes de là 8.
- Passez le fil d'arrière en avant à travers le guide-fils 1.



- Enfilez le guide-fil sur le dessus de la machine en tirant le fil vers le bas jusqu'à ce qu'il glisse sous le guide 2.



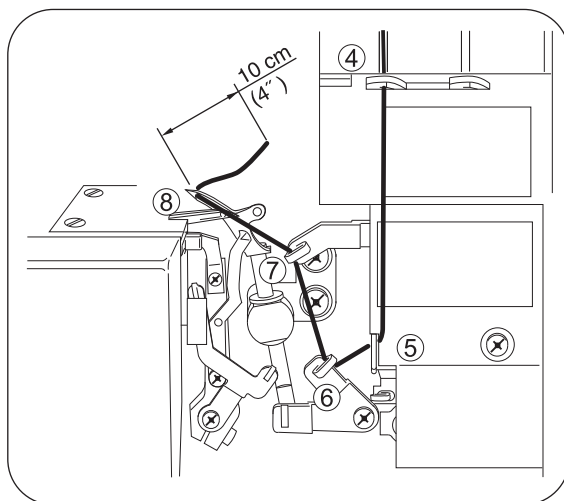
- Tenez le fil entre les doigts et le faire glisser entre les disques de tension, puis le tirer vers le bas pour qu'il se place correctement entre les disques de tension 3.



- Suivez les repères oranges et enfilez les guides-fils (4à7).
- Enfilez le chas du boucleur supérieur de l'avant vers l'arrière 8.

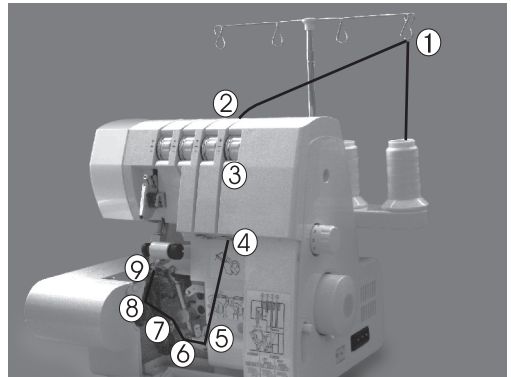
Note: Utilisez la pince fournie en accessoire pour faciliter l'enfilage du boucleur.

- Tirez environ 10 cm du fil à travers le chas du boucleur et posez le fil vers l'arrière sur la plaque.

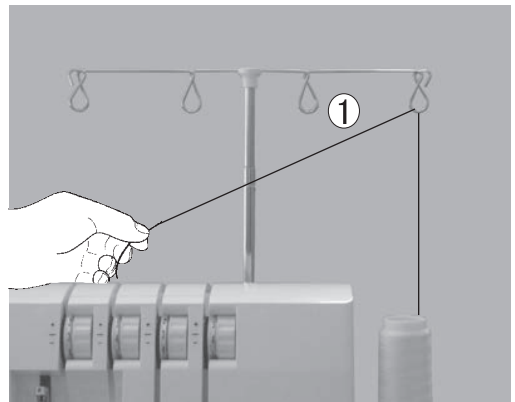


2) Enfilage du boucleur inférieur

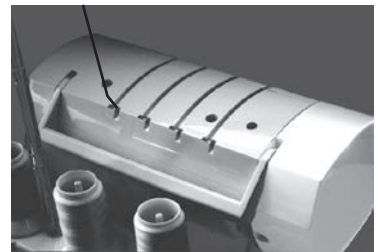
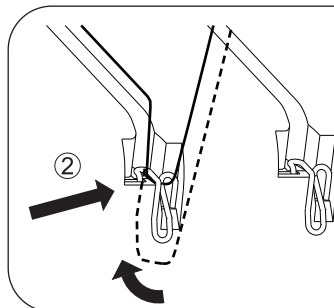
- Enfilez le boucleur inférieur en suivant les étapes de 1 à 9.



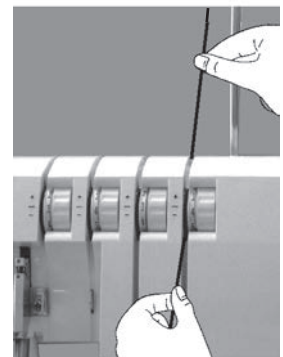
- Passez le fil d'arrière en avant à travers le guide-fils 1.



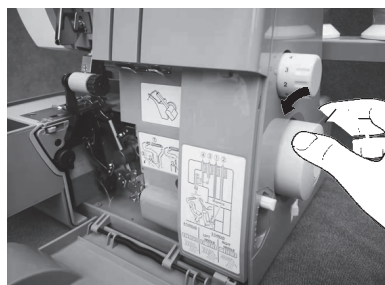
- Enfilez le guide-fil sur le dessus de la machine en tirant le fil vers le bas jusqu'à ce qu'il glisse sous le guide 2.



- Tenez le fil entre les doigts et le faire glisser entre les disques de tension, puis le tirer vers le bas pour qu'il se place correctement entre les disques de tension 3.

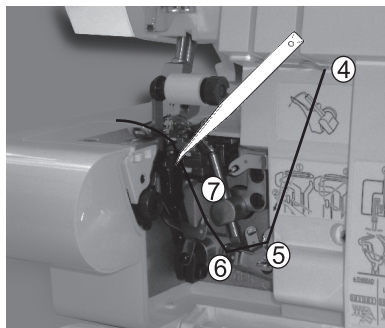


- Tournez le volant vers vous afin de positionner le boucleur inférieur le plus à droite possible.



- Suivez les repères jaunes et enfiler les guides-fils correctement de 4 à 7.

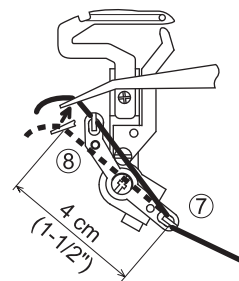
Note: Utilisez la pince fournie en accessoire pour faciliter l'enfilage du boucleur.



- Saisissez le fil à 4 cm du guide-fil 7, avec les pincettes.

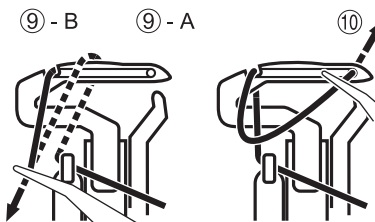
- Avec la pointe des pincettes, placez le fil légèrement en-dessous et à la gauche du guide-fil 8.

- Tirez le fil vers le haut puis dans le guide-fil 8.



- Passez le fil derrière et par-dessus l'extrémité du boucleur inférieur 9-A.

- Tirez le fil doucement vers le bas pour qu'il glisse dans l'encoche du boucleur 9-B.

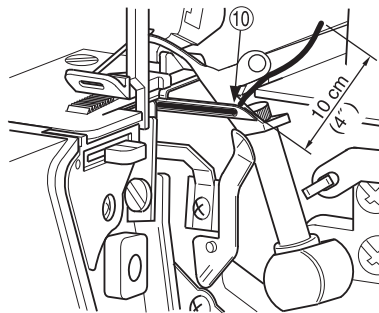


- Enfilez le chas du boucleur 10

Note: Utilisez la pince fournie en accessoire pour faciliter l'enfilage du boucleur.

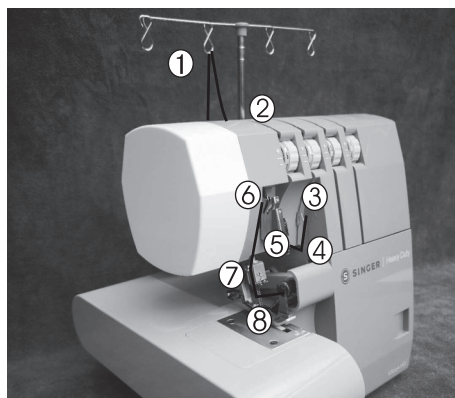
- Le fil doit passer dans la rainure du boucleur inférieur.

- Tirez environ 10cm fil à travers le chas du boucleur, passez le fil par-dessus le boucleur de droite puis le placer vers l'arrière sur la plaque.

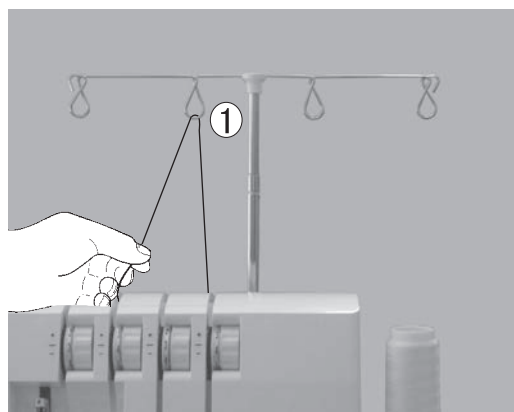


3) Enfilage de l'aiguille droite (Verte)

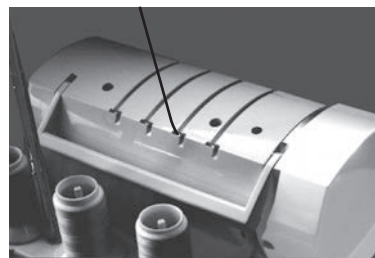
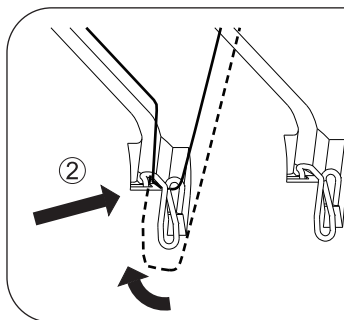
- Enfilez l'aiguille droite en suivant les étapes de 1 à 8.



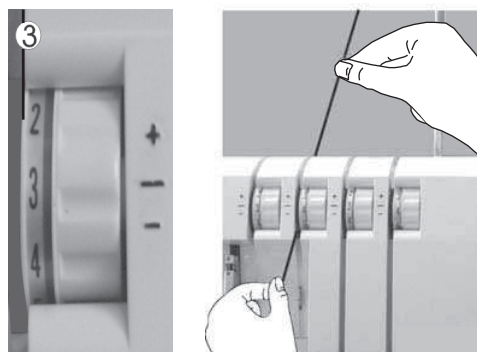
- Passez le fil d'arrière en avant à travers le guide-fils 1.



- Enfilez le guide-fil sur le dessus de la machine en tirant le fil vers le bas jusqu'à ce qu'il glisse sous le guide 2.

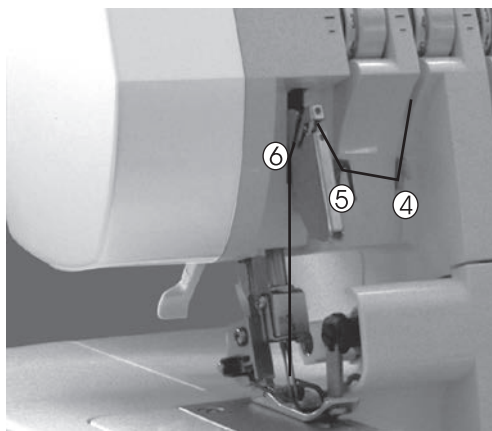


- Tenez le fil entre les doigts et le faire glisser entre les disques de tension, puis le tirer vers le bas pour qu'il se place correctement entre les disques de tension 3.



- Continuez en suivant les étapes de 4 à 7.

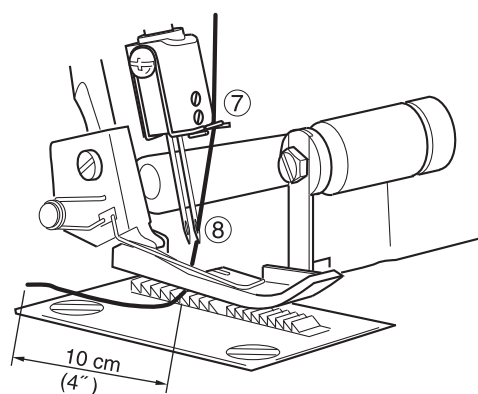
Nota: Assurez-vous que vous avez bien passé le fil dans le passage de fil supérieur du guide-fil 6.



- Enfilez le chas de l'aiguille droite 8.

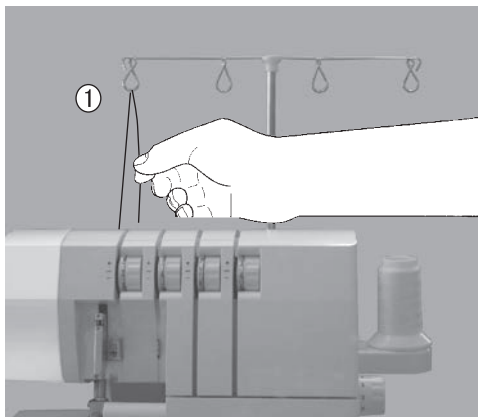
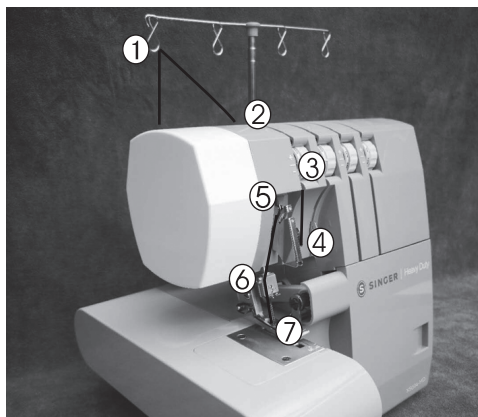
Note: Utilisez la pince fournie en accessoire pour faciliter l'enfilage du chas de l'aiguille.

- Tirez environ 10cm de fil à travers le chas de l'aiguille.
- Passez le fil sous le pied presseur et le tirer vers l'arrière.

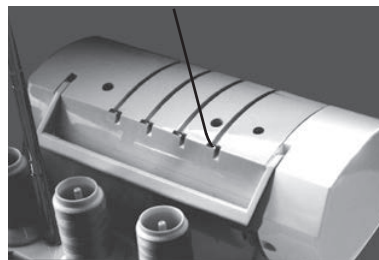
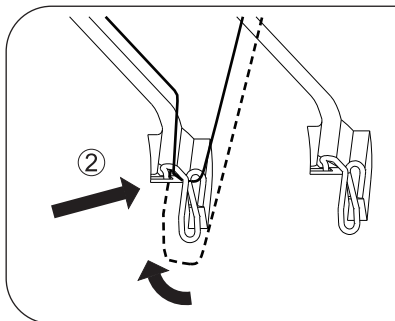


4) Enfiage de l'aiguille gauche (bleue)

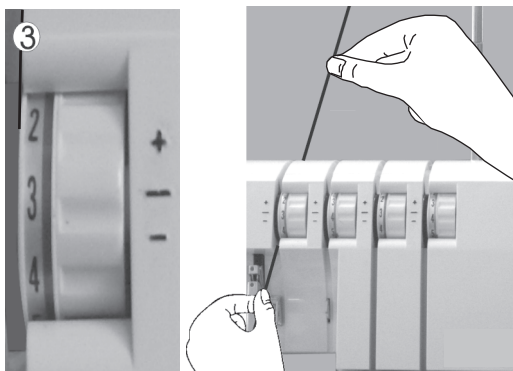
- Enfilez l'aiguille gauche en suivant les étapes de 1 à 7.
- Passez le fil d'arrière en avant à travers le guide-fils (1)



- Enfilez le guide-fil sur le dessus de la machine en tirant le fil vers le bas jusqu'à ce qu'il glisse sous le guide 2.

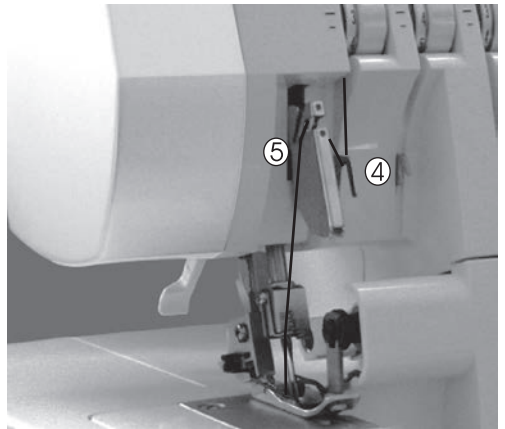


- Tenez le fil entre les doigts et le faire glisser entre les disques de tension, puis le tirer vers le bas pour qu'il se place correctement entre les disques de tension 3.



- Continuer en suivant les étapes de 4 à 6.

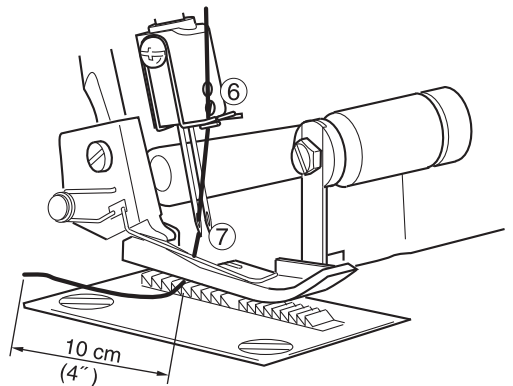
Note: Vérifiez que vous avez bien passé le fil dans le passage de fil inférieur, du guide-fil 5.



- Enfilez le chas de l'aiguille gauche 7.

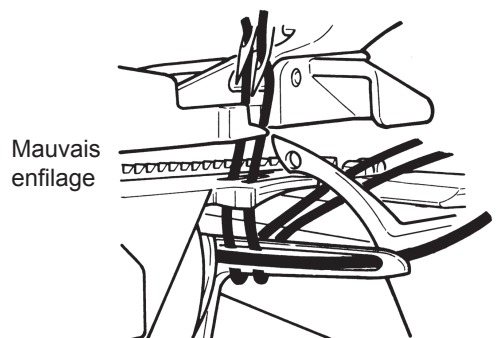
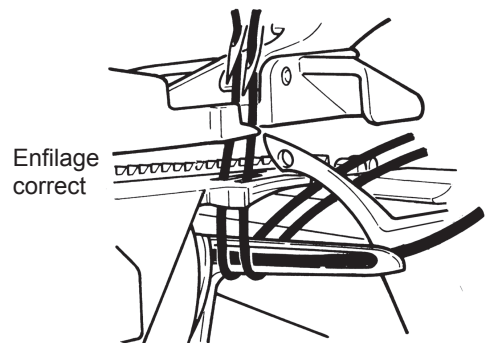
Note: Utilisez la pince fournie en accessoire pour faciliter l'enfilage du chas de l'aiguille.

- Tirez environ 10cm de fil à travers le chas de l'aiguille.
- Passez le fil sous le pied presseur et le tirer vers l'arrière.



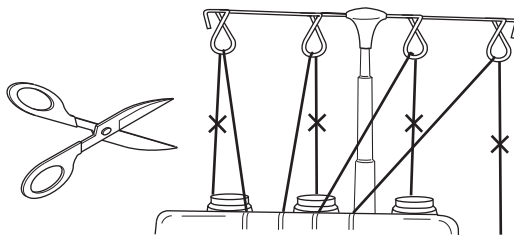
Indications Importantes pour l'enfilage

- Enfilez les aiguilles en dernier pour éviter le désenfilage du boucleur inférieur.
- Si le boucleur inférieur se désenfile:
 - 1) Désenfilez les aiguilles
 - 2) Réenfilez le boucleur inférieur
 - 3) Réenfilez les aiguilles

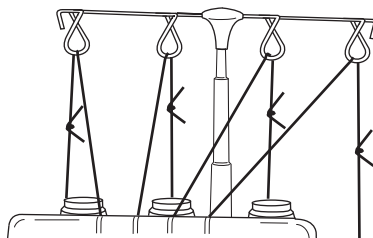


12. COMMENT CHANGER DE FILS EN LES NOUANT

- Pour changer de fil, coupez les fils près des cônes.

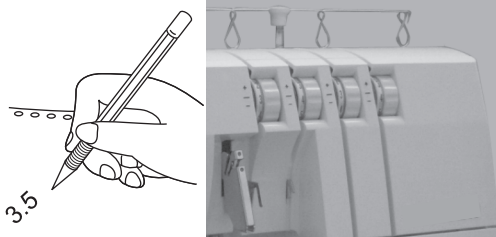


- Placez les nouveaux fils sur le support.
- Nouez les bouts des anciens et des nouveaux fils ensemble.
- Laissez des bouts de 2 à 3cm (1 inch), pour éviter que les fils se dénoient.



- Vérifiez que les fils sont solidement noués en tirant sur les deux fils.

- Notez les réglages de tension de fil.

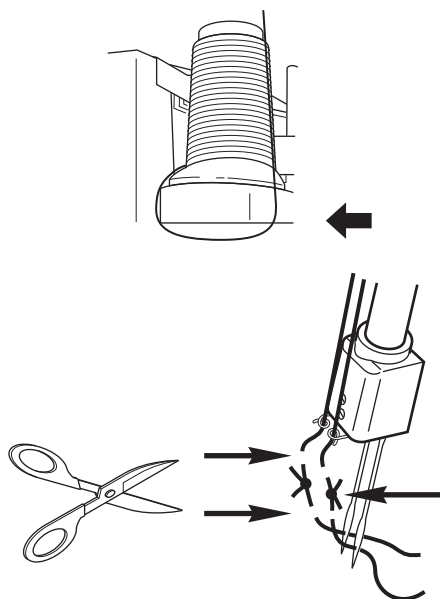


- Tournez les molettes de tension vers le bas jusqu'au blocage.

- Tirez tous les fils à travers l'enfilage jusqu'à ce que les noeuds dépassent le pied presseur.

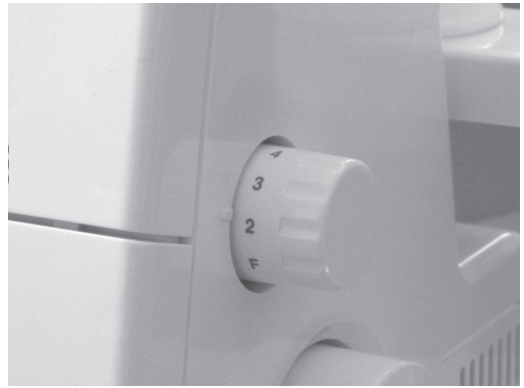
- Si le fil ne vient pas facilement, vérifiez qu'il n'y a pas de noeuds formés autour des guide-fils ou des boucles de fil coincées sous le support de cônes.

- Lorsque vous tirez sur le fil de l'aiguille, arrêtez-vous lorsque le noeud arrive devant l'aiguille.
- Coupez le fil et enfitez l'aiguille.
- Réglez la tension du fil en vous basant sur les réglages précédents.



13. COMMENT REGLER LA LONGUEUR DE ROINT

- Le réglage moyen qui convient pour la plupart des travaux de couture est de 3mm.
- Lorsque vous cousez des tissus lourds, réglez la longueur sur 4mm.
- Lorsque vous cousez des tissus légers, réglez la longueur du point sur 2mm, pour éviter de faire gondoler les coutures.

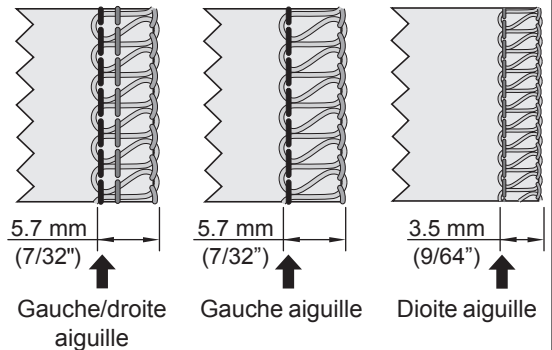


14. COMMENT REGLER LA LARGEUR DU SURJET

- La largeur du surjet peut être modifiée en changeant la position de l'aiguille, mais également à l'aide du bouton de réglage de la largeur du surjet.

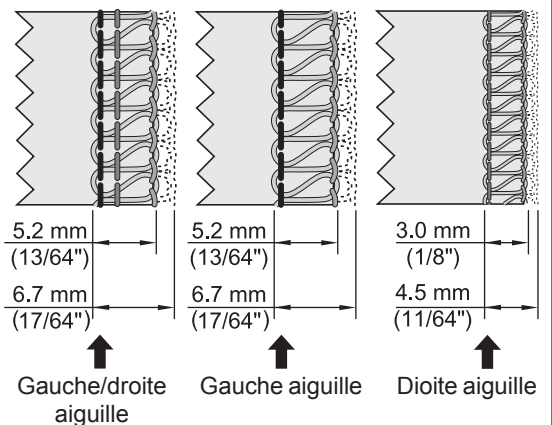
Réglage de la largeur du point en changeant la position d'aiguille

- La largeur du surjet peut être ajustée en changeant la position d'aiguille.
 - a) L'aiguille gauche seule en travail.....5.7mm (7/32inch)
 - b) L'aiguille droite seule en travail.....3.5mm (9/64inch)



Réglage de la largeur à l'aide du bouton de réglage

- L'utilisation du bouton de réglage permet l'ajustement de la largeur du point dans les limites indiquées ci-dessous.
 - a) L'aiguille gauche seule en travail...5.2-6.7mm (13/64-17/64inch)
 - b) L'aiguille droite seule en travail...3.0-4.5mm (8/1-11/64inch)



Bouton de réglage de la largeur du point



Attention:
Avant de procéder à des réglages vérifiez que l'interrupteur marche-arrêt soit sur "0"

- Pour faciliter les réglages, ouvrez le cache-boucleurs.
- Poussez le couteau supérieur à la droite et en même temps tourner le bouton vers l'arrière pour régler la largeur de la couture. Utiliser les marques sur la plaque à aiguille comme guide.



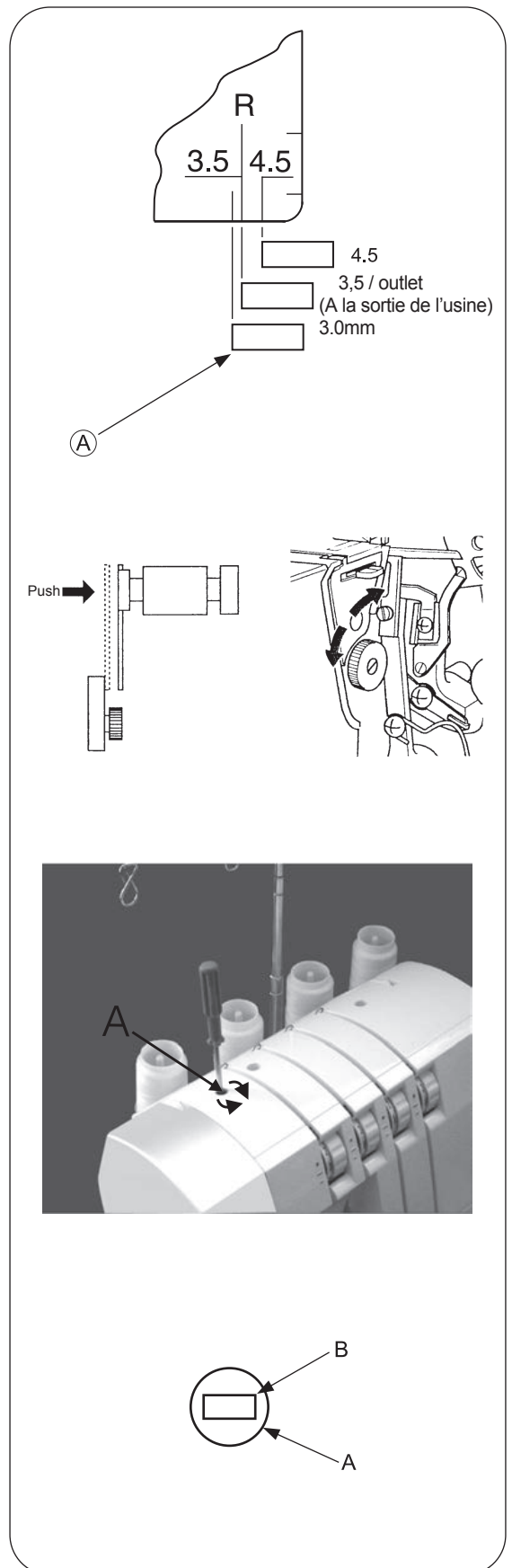
Attention:
Refermez toujours le cache-boucleurs avant de faire fonctionner la machine

15. COMMENT REGLER LA PRESSION DU PIED PRESSEUR

- La pression du pied presseur a été pré-réglée à l'usine pour correspondre à la couture de tissus moyens.
- La plupart des matériaux ne nécessitent pas de réglage de la pression du pied. Le réglage est toutefois nécessaire lors de la couture de tissus très légers ou très lourds.
- Pour régler, placer le tournevis par le trou (A) du couvercle supérieur dans la rainure de la vis de réglage (B) et tourner la vis selon le besoin.

Note: Pour retrouver le réglage standard, tourner la vis dans le sens contraire des aiguilles d'une montre jusqu'à ce qu'elle bute sur le couvercle, puis faites 6 tours dans le sens des aiguilles d'une montre.

- Pour les tissus légers.....diminuez la pression
- Pour les tissus lourds.....augmentez la pression



16. ENTRAINEMENT DIFFERENTIEL

- Le système d'entraînement différentiel permet d'étirer le tissu ou de résorber l'embu lorsque la vitesse de rotation de la griffe avant par rapport à la griffe arrière est modifiée.
- Le rapport d'entraînement différentiel varie de 1 à 0.7 et de 2.0. Le réglage se fait à l'aide du levier de réglage d'entraînement différentiel illustré ci-dessous.
- L'entraînement différentiel est particulièrement utile pour surjeter des tissus extensibles ou coupés dans le biais.
- Le réglage "1.0" correspond à un rapport d'entraînement de 1:1.

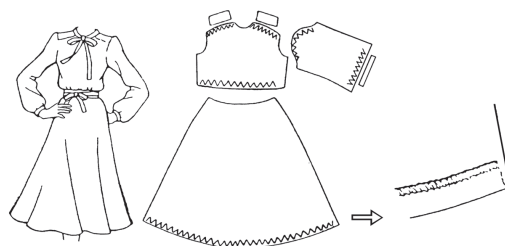
Surjet resserré

- Le surjet resserré convient particulièrement pour surfiler avant l'assemblage les pièces de vêtements (manches, empiècements, épaules, dos et devants de corsages ourlets de jupe, etc.) coupés dans des matières extensibles comme le tricot ou le jersey.

Réglage

- Positionnez le levier de réglage d'entraînement différentiel en-dessous de la graduation 1.0. Le réglage dépend de la qualité du tissu, ainsi que de l'importance de l'embu à résorber. Tester le réglage avant de surjeter votre ouvrage.
- Si une longueur du point supérieur à "3" est sélectionnée lors du réglage de l'entraînement différentiel sur "2.0" (resserrage maximal), la longueur du point descend automatiquement sur "3".

Note: Pour coudre un surjet normal, ne pas oublier de repositionner le levier du différentiel sur "1".



Surjet étiré

- Le surjet étiré est idéal pour réaliser des finitions décoratives sur des cols, manches, ourlets de jupe, etc. Coupés dans des tissus ordinaires coupés dans le biais ou à mailles à structure lâche.

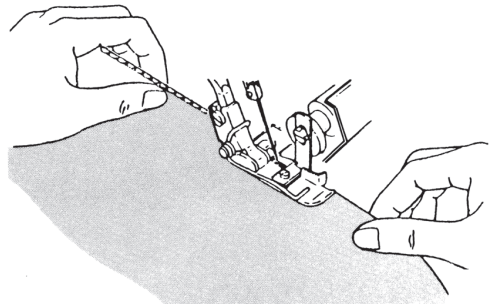
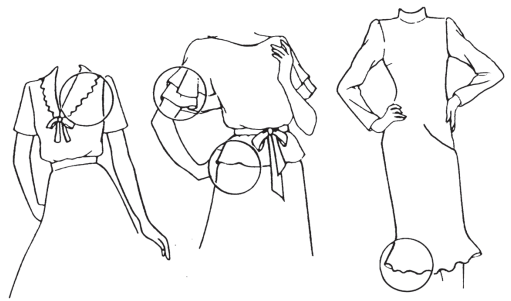
Réglage

- Positionnez le levier d'entraînement différentiel au-dessus de la graduation "1.0".

- Tendez légèrement le tissu en le tenant devant et derrière le pied presseur.

Note: * Si l'étirage est mal réglé par rapport à la nature du tissu, celui-ci a tendance à glisser et à faire un surjet irrégulier. Dans ce cas, positionnez le levier d'entraînement différentiel plus près de la marque centrale.

* Pour coudre un surjet normal, ne pas oublier de repositionner le levier du différentiel sur 1.



17. COMMENT UTILISER LE COUTEAU MOBILE



Attention !
Vérifiez que l'interrupteur marche arrêt soit sur "0"

Le placement du couteau mobile en position de repos

- Tournez le volant vers vous et positionnez le couteau mobile dans sa position la plus haute.
- Ouvrez le cache-bouleurs (voir page 9)
- Poussez le support du couteau mobile vers la droite le plus loin possible.
- Tournez le bouton jusqu'à ce que le couteau s'enclenche en position horizontale.

Note: Si le couteau se bloque contre le couvercle supérieur:

*Tournez le volant jusqu'à ce que le couteau s'abaisse

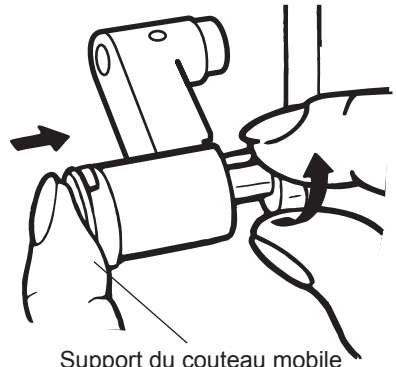
*Continuez à tourner le bouton pour enclencher le couteau en position horizontale.

Placement du couteau mobile en position de travail

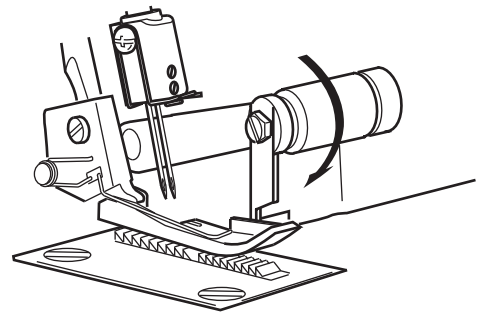
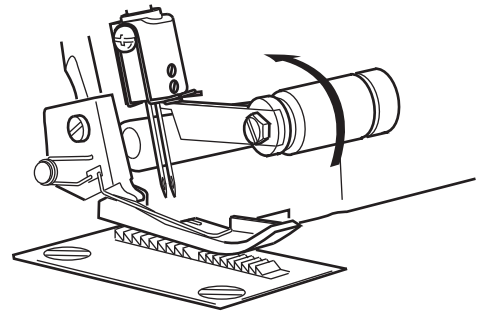
- Ouvrez le cache-bouleurs et poussez le support du couteau mobile le plus loin possible vers la droite.
- Tournez le bouton vers vous jusqu'à ce que le couteau se replace en position de travail.



Attention !
N'oubliez pas de fermer le cache-boucleurs avant de faire fonctionner la machine.



Support du couteau mobile



18. CONVERTIR LE BOUCLEUR SUPÉRIEUR AU CONVERTISSEUR.



Avertissement:
Eteindre la machine avant l'installation du convertisseur.

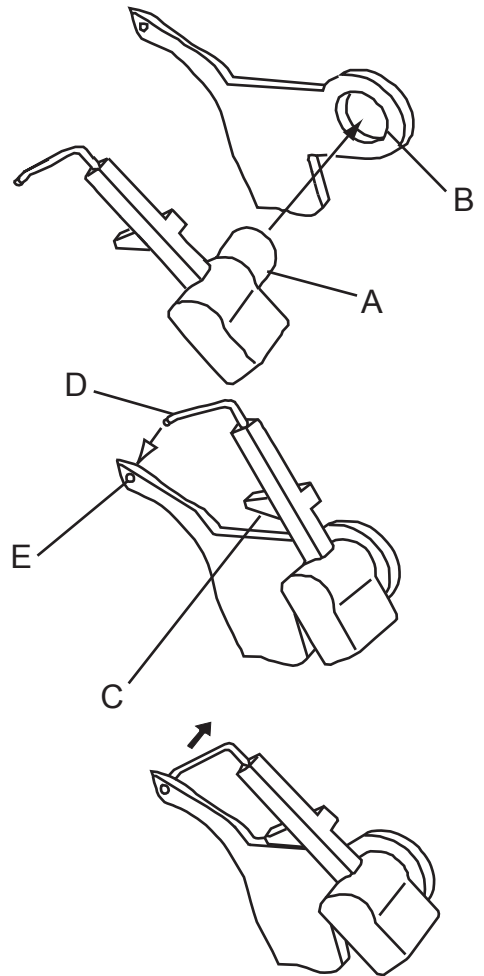
Installation du convertisseur.

- Insérer broche (A) du convertisseur dans le trou (B) du boucleur supérieur.
- Placer l'extension (C) en contact avec la surface du boucleur.
- Insérer le point (D) dans le trou (E) du boucleur supérieur.

Enlever le convertisseur

- Enlever le point (D) du trou (E) du boucleur supérieur et enlever le convertisseur de boucleur.

Note: Ranger le convertisseur avec les accessoires.



19. LE BRAS LIBRE (TRAVAIL TUBULAIRE)

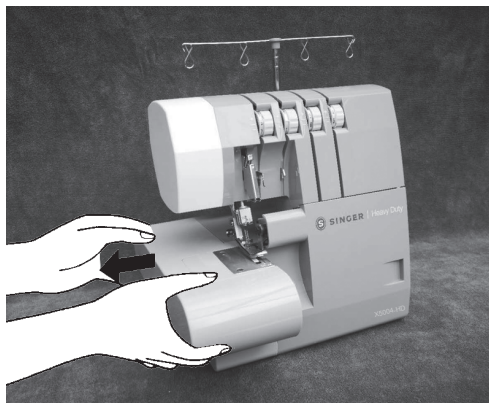
Cette machine se transforme en machine à bras libre simplement en retirant le plateau avant.

Comment retirer le plateau (avant)

- Glissez le plateau vers la gauche, et le retirer en appuyant sur le bouton (A) sous le plateau.

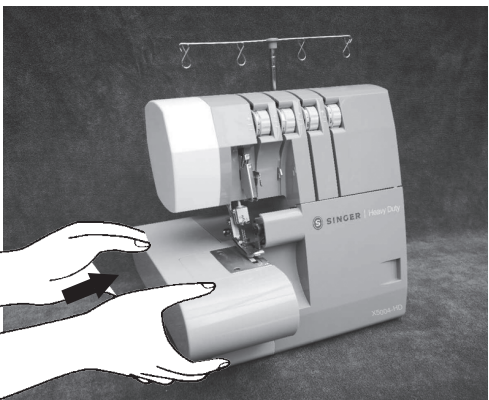


- L'utilisation du bras-libre convient particulièrement pour la couture d'endroit difficilement accessibles comme les emmanchures, les poignets, les bas de pantalon.
- Placez le tissu sur le bras-libre et cousez.



Comment remettre le plateau devant

- Alignez la partie arrière du plateau dans la rainure. Glissez le plateau vers la droite jusqu'à ce que la patte du plateau avant s'enclenche dans la fente du plateau arrière.

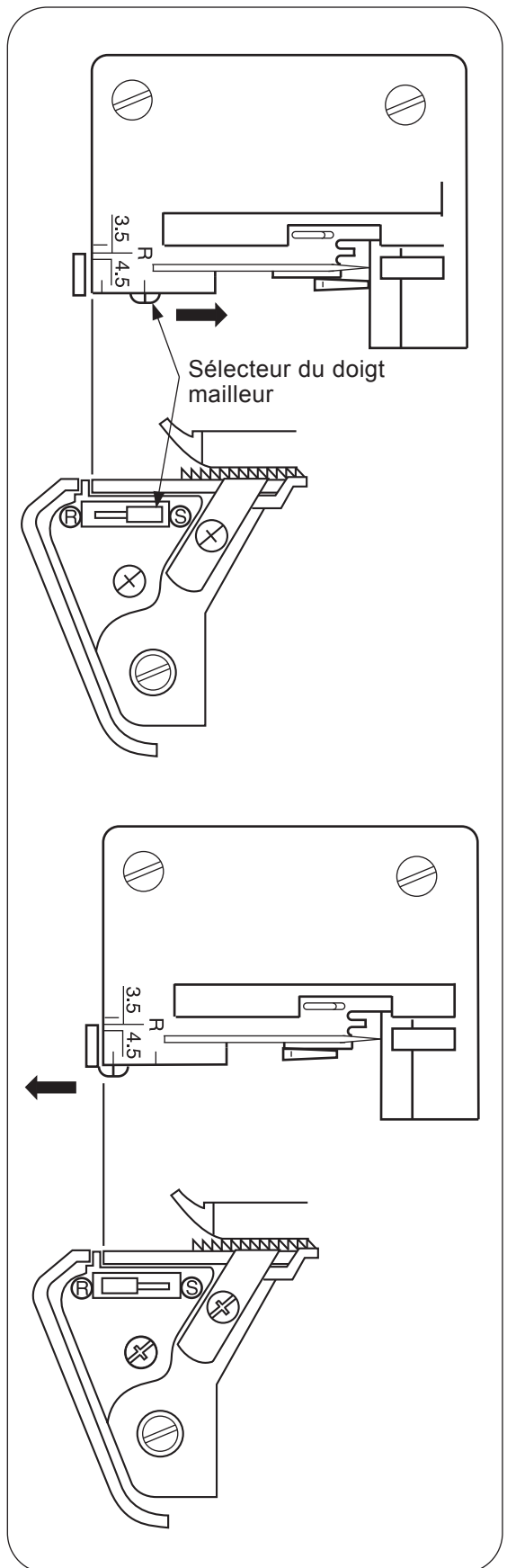


20. SURJET STANDARD ET OURLET ROULOTTE

Surjet standard

- Poussez le sélecteur du doigt mailleur en position (S) pour sortir le doigt mailleur.

Note : Assurez-Vous que le sélecteur du doigt mailleur est poussé le plus loin possible vers S.



l'ourlet roulotté

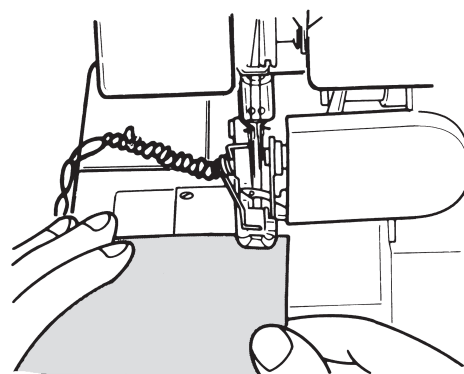
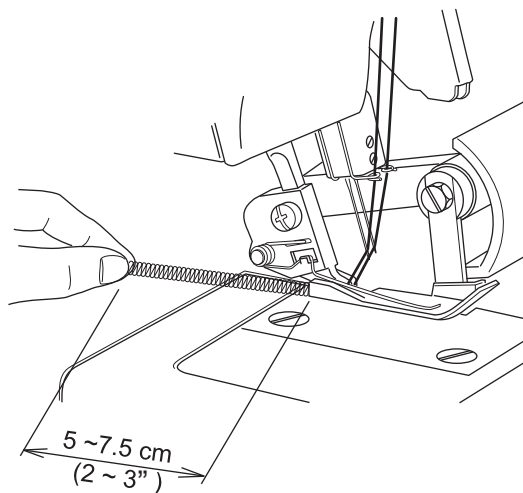
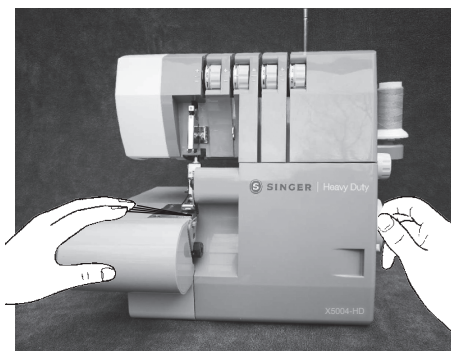
- Poussez le sélecteur du doigt mailleur en position (R) pour rétracter le doigt mailleur.

Note : Verifiez que le sélecteur du doigt mailleur est poussé le plus loin possible vers R.

21. DEGAGEMENT DE LA CHÂINETTE ET TEST DE COUTURE

- Lorsque la machine est entièrement enfilée, placez tous les fils sur la plaque à gauche du pied presseur.
- Tenez les fils et les tendre légèrement.
- Tournez le volant vers vous 2 ou 3 tours complets pour démarrer la chaînette.
- Abaisser le pied presseur.
- En tenant la chaînette, appuyer sur le rhéostat jusqu'à l'obtention de 5-7.5cm (2-3 inches) de chaînette.
- Placez un morceau de tissu sous le pied presseur et faire un échantillon.

Note: Ne pas tirer le tissu en cousant, vous risquerez de faire dévier l'aiguille et de la casser.



22. Commencer et Terminer une Couture

Pour Commencer une Couture

- Pour commencer une couture sur la plupart des tissus, placez d'abord l'extrémité du fil sous le pied-de-biche, puis à gauche de la machine.
- Maintenez l'extrémité de fil et appuyez sur le rhéostat pour commencer à coudre.
- Cousez jusqu'à ce qu'une chaîne de fil de 7.5 cm (3") se forme.
- Placez le tissu sur les griffes d'entraînement, devant le pied-de-biche. Commencez à coudre.

Note:* **Pour les tissus lourds ou épais, il est recommandé d'utiliser les aiguilles SINGER #2022 taille 100/16.**

* **Les tissus lourds ou épais peuvent être plus difficiles à entraîner que d'autres. Dans ce cas, commencez par couper une entaille au début de la couture, environ 2.5 cm (1") de haut en bas du tissu, et le long de la ligne de couture.**

* **Levez le pied-de-biche et élevez les aiguilles. Placez l'entaille de sorte que le bord supérieur du tissu soit devant les aiguilles, avec le bord coupé aligné contre le couteau.**

* **Abaissez le pied-de-biche et cousez.**

Pour Terminer une Couture

- Pour terminer une couture, continuez à coudre jusqu'à la fin du tissu, au moment où la chaîne de fil se forme.
- Coupez le fil, laissant environ 7.5 cm (3") à la fin du tissu.



23. RÉGLAGE DE LA TENSION

1) Surjet enveloppant deux fils.

Note: * Ce sont des exemples généraux.



- La tension est affecté par:
- Type et épaisseur du tissu.
- Taille de l'aiguille.
- Type et grosseur du fil.
- Voir page 26 pour convertir le convertisseur.

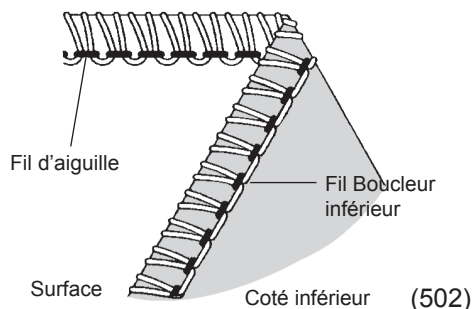
Balancement du Point

- Régler chaque cadran de tension comme indiquer à la droite et partiquer sur un morceau de tissu.

Comment Calibrer la Tension

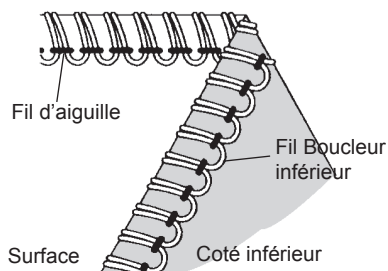
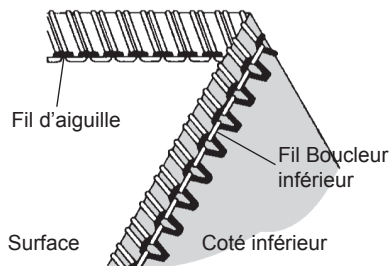
- Quand la tension du boucleur inférieur est trop serré, ou la tension de l'aiguille est trop lâche:
 - Tourner le cadran (jaune) vers un numéro plus bas.
 - Ou tourner le cadran (bleue ou verte) vers un numéro plus haut.
- Quand la tension du boucleur inférieurest trop lâche:
 - Tourner le cadran (jaune) vers un numéro plus haut.

POSITION D'AIGUILLE		
Doigt de largeur de couture	S	
Longueur de point	2 ~ 4	
Convertisseur	Utiliser	



Tissu	Cadran de Tension			
	Bleu	Vert	Orange	Jaune
Fil léger	2.5		Convertisseur	1.0
Fil moyen	3.5		Convertisseur	1.0
Fil épais	4.0		Convertisseur	1.0

Tissu	Cadran de Tension			
	Bleue	Verte	Orange	Jaune
Fil léger		2.5	Convertisseur	2.0
Fil moyen		4.0	Convertisseur	2.0
Fil épais		5.0	Convertisseur	2.0



2) Ourlet roulotté deux fils

Note: * Ce sont des exemples généraux.

La tension est affecté par:

- 1) Type et épaisseur du tissu.
- 2) Taille de l'aiguille.
- 3) Type et grosseur du fil.


- Voir page 26 pour convertir le convertisseur.

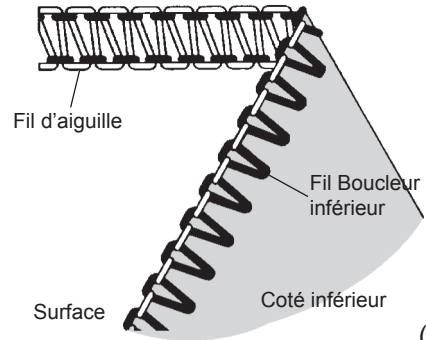
Balancement du Point

- Régler chaque cadran de tension comme indiquer à la droite et partiquer sur un morceau de tissu.

Comment Calibrer la Tension

- Quand le fil du boucleur inférieur parait sur l'envers du tissu seulement:
 - Tourner le cadran (jaune) vers un numéro plus haut.
 - Ou tourner le cadran de l'aiguille (bleue ou verte) vers un numéro plus bas.
- Quand la tension de l'aiguilleest trop lâche:
 - Tourner le cadran de l'aiguille(bleue ou verte) vers un numéro plus haut.
 - Qu tourner le cadran du boucleur (jaune) vers un numéro plus bas.

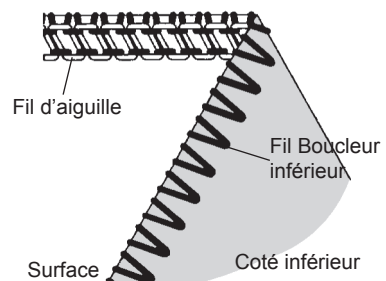
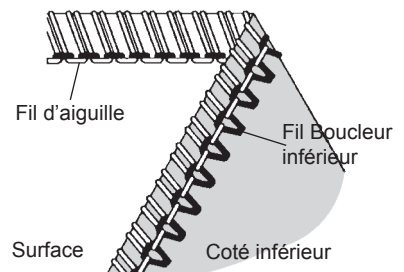
POSITION D'AIGUILLE	
Doigt de largeur de couture	S
Longueur de point	2 ~ 4
Convertisseur	Utiliser



(503)

Tissu	Cadran de Tension			
	Bleue	Verte	Orange	Jaune
Fil léger	0		Convertisseur	5.0
Fil moyen	0.5		Convertisseur	5.0
Fil épais	1.0		Convertisseur	5.0

Tissu	Cadran de Tension			
	Bleue	Verte	Orange	Jaune
Fil léger		0	Convertisseur	5.0
Fil moyen		0.5	Convertisseur	6.0
Fil épais		1.0	Convertisseur	6.5



3) Surjet 3 fils

Note: * Les tensions sont données seulement à titre indicatif.

* Le réglage de tension dépend de:



- 1) la nature et l'épaisseur du tissu
- 2) la grosseur de l'aiguille
- 3) la grosseur, le type et la nature du fil

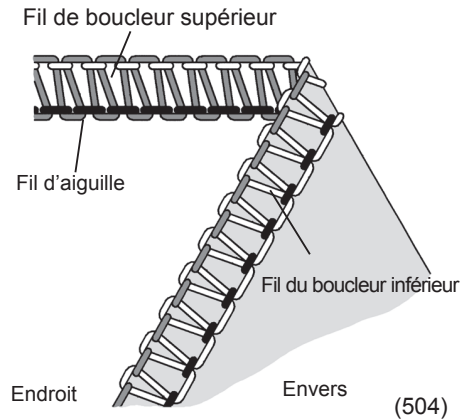
Equilibrage correct des tension

- Régler chaque molette de tension comme indiqué dans le tableau ci-contre, et faites un échantillon sur votre tissu.

Comment équilibrer les tensions

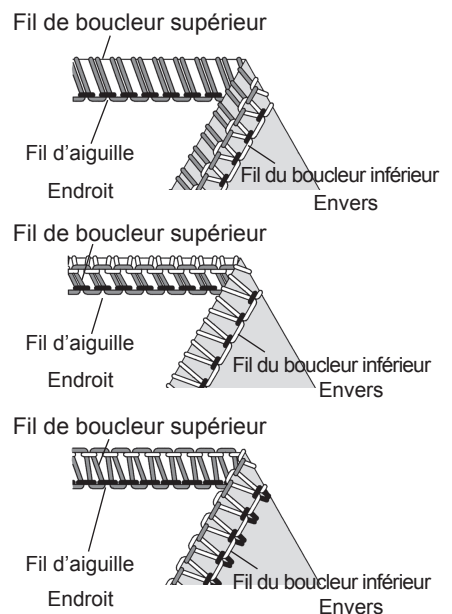
- Lorsque le fil du boucleur supérieur se voit sur l'envers du tissu:
 - Tournez la molette du boucleur supérieur (orange) vers un chiffre plus élevé.
 - Ou, tournez la molette du boucleur inférieur (jaune) vers un chiffre plus bas.
- Lorsque le fil du boucleur inférieur se voit sur l'endroit du tissu:
 - Tournez la molette du boucleur inférieur (jaune) vers un chiffre plus élevé.
 - Ou, tournez la molette du boucleur supérieur (orange) vers un chiffre plus bas.
- Lorsque la tension du fil d'aiguille est trop faible:
 - Tournez la molette du fil de l'aiguille (bleue ou verte) vers un chiffre plus élevé.

POSITION D' AIGUILLE		
SELECTEUR DE LA LARGEUR DU DOIGT MAILLEUR	S	
LONGUEUR DU POINT	2 ~ 4	



Tissu	Molette de tension			
	Bleue	Verte	Orange	Jaune
Legér	2.5		3.0	3.0
Moyen	3.0		3.0	3.0
Lourd	3.5		3.0	3.0

Tissu	Molette de tension			
	Bleue	Verte	Orange	Jaune
Legér		2.5	3.0	3.0
Moyen		3.0	3.0	3.0
Lourd		3.5	3.0	3.0



4) Surjet 3 fils plat

Note: * Les tensions sont données seulement à titre indicatif.

- * Le réglage de tension dépend de:
 - 1) la nature et l'épaisseur du tissu
 - 2) la grosseur de l'aiguille
 - 3) la grosseur, le type et la nature du fil

Equilibrage correct des tensions

- Réglez chaque molette de tension comme indiqué dans le tableau ci-contre, et faite un échantillon sur votre tissu.

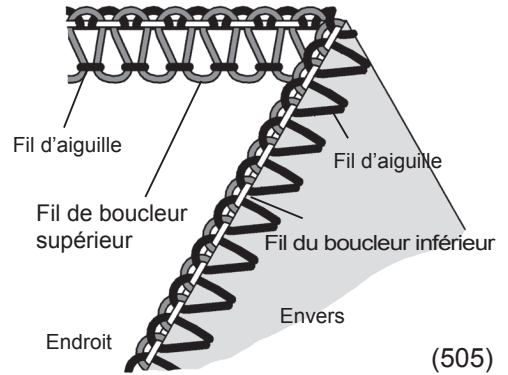
Comment équilibrer les tensions

- Lorsque le fil du boucleur inférieur est trop lâche:
 - Tournez la molette du boucleur inférieur (jaune) vers un chiffre plus élevé.
 - Ou, tournez la molette du fil d'aiguille (bleue ou verte) vers un chiffre plus bas.

- Lorsque le fil du boucleur supérieur est trop lâche:
 - Tournez la molette du boucleur supérieur (orange) vers un chiffre plus élevé.
 - Ou, tournez la molette du fil d'aiguille (bleue ou verte) vers un chiffre plus bas.

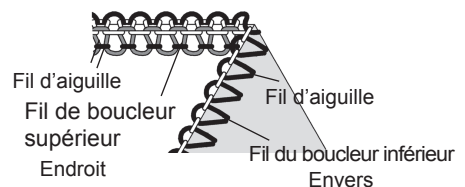
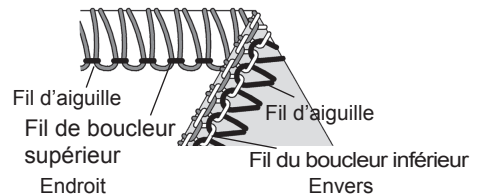
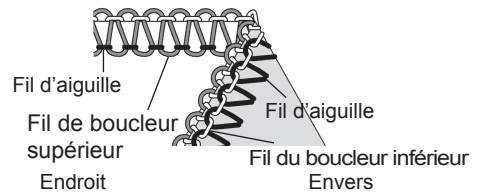
- Lorsque la tension du fil d'aiguille est trop faible:
 - Tournez la molette du fil d'aiguille (bleue ou verte) vers un chiffre plus élevé.
 - Ou, tournez la molette du boucleur supérieur (orange) vers un chiffre plus bas.

POSITION D' AIGUILLE	
SELECTEUR DE LA LARGEUR DU DOIGT MAILLEUR	S
LONGUEUR DU POINT	2 ~ 4



Tissu	Molette de tension			
	Bleue	Verte	Orange	Jaune
Legér	0.5		5.0	7.0
Moyen	0.5		5.0	7.0
Lourd	0.5		5.0	7.0

Tissu	Molette de tension			
	Bleue	Verte	Orange	Jaune
Legér		0.5	5.0	7.0
Moyen		0.5	5.0	7.0
Lourd		0.5	5.0	7.0



5) Surjet 3 fils bordé

Note: * Les tensions sont données seulement à titre indicatif.



- * Le réglage de tension dépend de:
 - 1) la nature et l'épaisseur du tissu
 - 2) la grosseur de l'aiguille
 - 3) la grosseur, le type et la nature du fil

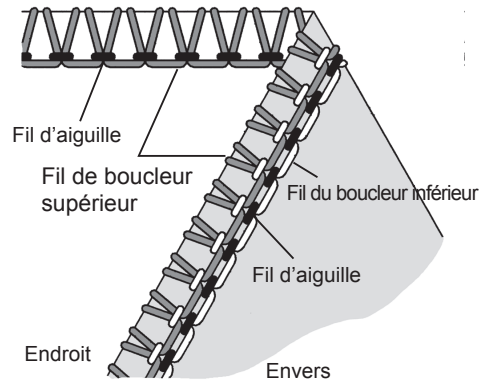
Enquillrage correct des tensions

- Réglez chaque molette de tension comme indiqué dans le tableau ci-contre, et faire un échantillon sur votre tissu.

Comment équilibrer les tensions

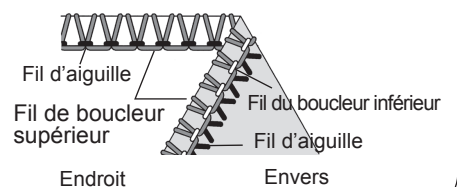
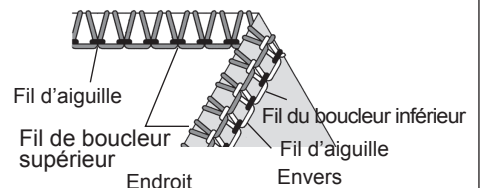
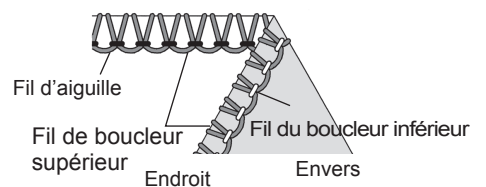
- Lorsque le fil du boucleur supérieur est trop lâche:
 - Tourner la molette du boucleur supérieur (orange) vers un chiffre plus élevé.
- Lorsque le fil du boucleur supérieur est trop lâche:
 - Tournez la molette du boucleur inférieur (jaune) vers un chiffre plus élevé.
 - Ou, tournez la molette du boucleur supérieur (orange) vers un chiffre plus bas.
- Lorsque la tension du fil d'aiguille est trop faible:
 - Tournez la molette du fil d'aiguille (bleue ou verte) vers un chiffre plus élevé.
 - Ou, tournez la molette du boucleur supérieur (orange) vers un chiffre plus bas.

POSITION D' AIGUILLE		
SELECTEUR DE LA LARGEUR DU DOIGT MAILLEUR	S	
LONGUEUR DU POINT	2 ~ 4	



Tissu	Molette de tension			
	Bleue	Verte	Orange	Jaune
Legér	4.5		0	8.0
Moyen	5.0		0	8.5
Lourd	5.0		0	8.5

Tissu	Molette de tension			
	Bleue	Verte	Orange	Jaune
Legér		2.5	1.0	7.0
Moyen		3.0	1.0	7.0
Lourd		3.5	1.0	7.0



6) Faux safety ultra extensible à 4 fils

Note: * Les tensions sont données seulement à titre indicatif.

- * Le réglage de tension dépend de:
- 1) la nature et l'épaisseur du tissu
 - 2) la grosseur de l'aiguille
 - 3) la grosseur, le type et la nature du fil

Enquilibrage correct des tension

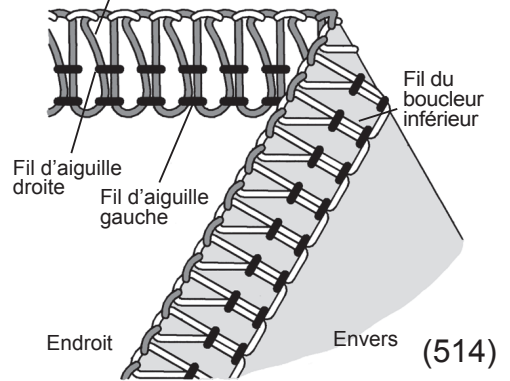
- Régler chaque molette de tension comme indiqué dans le tableau ci-contre, et faite un échantillon sur votre tissu.

Comment équilibrer les tensions

- Lorsque le fil du boucleur supérieur se voit sur l'envers du tissu:
 - Tourner la molette du boucleur supérieur (orange) vers un chiffre plus élevé.
 - Ou, tournez la molette du boucleur inférieur (jaune) vers un chiffre plus bas.
- Lorsque le fil du boucleur inférieur se voit sur l'endroit du tissu:
 - Tourner la molette du boucleur inférieur (jaune) vers un chiffre plus élevé.
 - Ou, tournez la molette du boucleur supérieur (orange) vers un chiffre plus bas.
- Lorsque la tension du fil d'aiguille gauche est trop lâche:
 - Tournez la molette du fil de l'aiguille gauche (bleue) vers un chiffre plus élevé.
- Lorsque le fil de l'aiguille droite est trop lâche:
 - Tournez la molette de l'aiguille de droite (verte) vers un chiffre plus élevé.

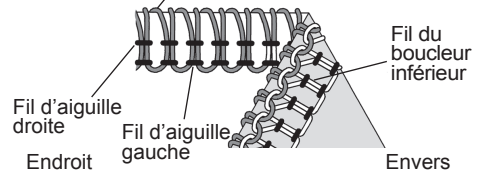
POSITION D' AIGUILLE	
SELECTEUR DE LA LARGEUR DU DOIGT MAILLEUR	S
LONGUEUR DU POINT	2 ~ 4

Fil de boucleur supérieur

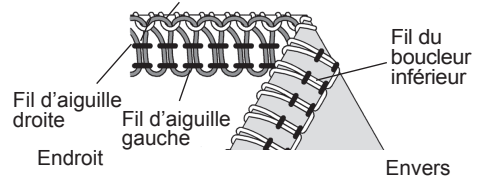


Tissu	Molette de tension			
	Bleue	Verte	Orange	Jaune
Legér	2.5	2.5	3.0	3.0
Moyen	3.0	3.0	3.0	3.0
Lourd	3.5	3.5	3.0	3.0

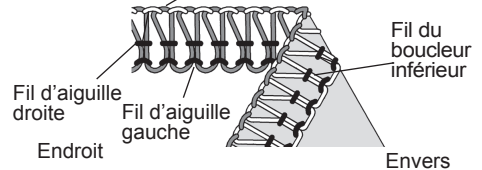
Fil de boucleur supérieur



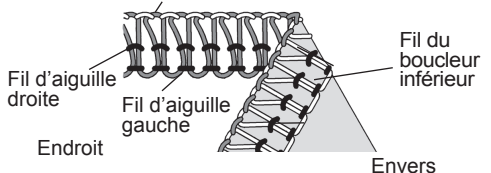
Fil de boucleur supérieur



Fil de boucleur supérieur



Fil de boucleur supérieur

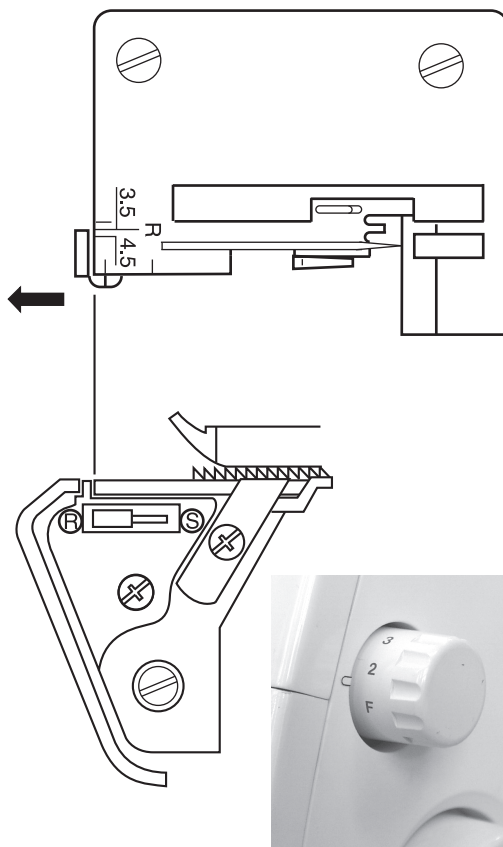
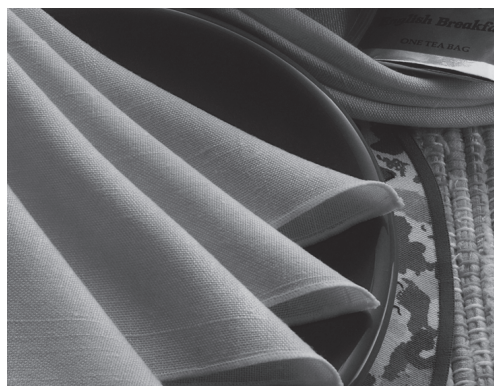


24.COMMENT REALISER UN OURLET ROULOTTE

- Cette machine peut réaliser quatre types d'ourlets roulottés.
- L'ourlet roulotté est réalisé en roulant et en surjetant le bord du tissu.
- Cet ourlet roulotté est idéal pour les tissus légers tels que la batiste, le voile, l'organdi, le crêpe, etc.
- L'ourlet roulotté ne convient pas aux tissus épais ou rigides.

Réglage de la machine

- Retirez l'aiguille gauche.
- Positionnez le sélecteur de la largeur du doigt mailleur sur (R), (voir page 28).
- Alignez le côté gauche du support du doigt mailleur avec le repère (R) sur la plaque en tournant la molette de la largeur du point.
- Sélectionnez une longueur du point entre F et 2.
- Aiguille : Singer Cat. No #2022 type de 80/11 ou 90/14.
- Fil : Une variété de combinaisons de fils peut être utilisée pour un ourlet roulotté.




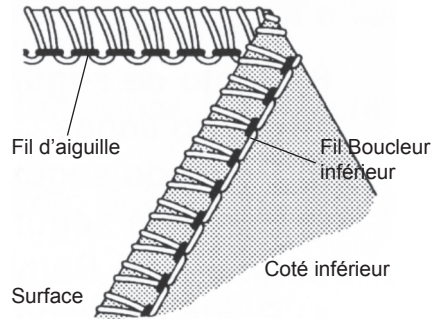
Note: Pour un ourlet roulote réussi, enfilé le boucleur supérieur avec un fil «Wooly Nylon» .

1) a. Surjet enveloppant deux fils

Balancement du Point

- Régler chaque cadran de tension comme indiquer à la droite et atiquer sur un morceau de tissu.

POSITION D'AIGUILLE	
Doigt de largeur de couture	S
Longueur de point	2 ~ 4
Convertisseur	Utiliser



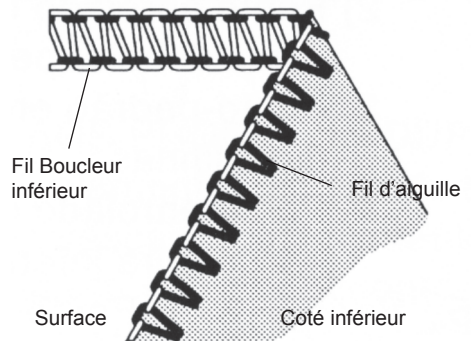
(502)

Fil boucleur Supérieur	Cadran de Tension			
	Bleue	Verte	Orange	Jaune
Polyester		3.0		2.0
Wooly nylon		3.0		2.0

b. Ourlet roulotté deux fils

Balancement du Point

- Régler chaque cadran de tension comme indiquer à la droite et pratiquer sur un morceau de tissu.



(503)


Fil boucleur Supérieur	Cadran de Tension			
	Bleue	Verte	Orange	Jaune
Wooly nylon		2.0		4.0

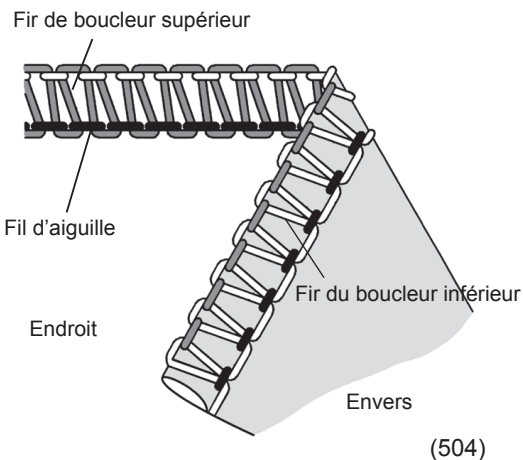
Note: Pour réaliser un bel ourlet roulotté, enfiler le boucleur supérieur avec un fil mousse et l'aiguille et le boucleur inférieur avec un fil standard pour les tissus légers.

2) a. Ourlet roulotté 3 file standard

Equilibrage correct des tensions

- Réglez chaque molette de tension comme indiqué dans le tableau ci-contre, et faire un échantillon sur votre tissu.

POSITION D' AIGUILLE	
SELECTEUR DELALARGEUR DU DOIGT MAILLEUR	R
LONGUEUR DU POINT	F ~ 2

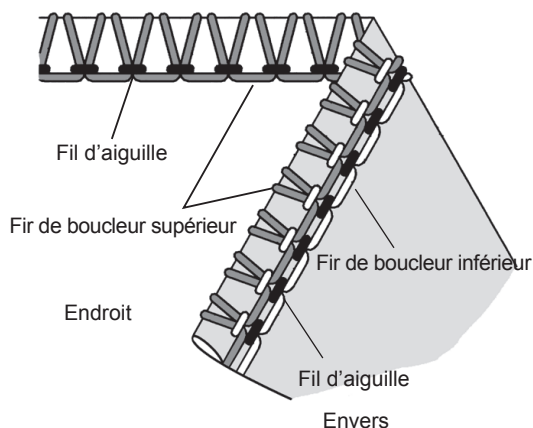


Fir du boucleur de gauche	Molette de tension			
	Bleue	Verte	Orange	Jaune
Polyester		3.0	5.0	3.0
Fil mousse nylon		3.0	3.5	3.5

b. Ourlet roulotté 3 file brad

Equilibrage correct des tensions

- Réglez chaque molette de tension comme indiqué dans le tableau ci-contre, et faire un échantillon sur votre tissu.



Fir du boucleur de gauche	Molette de tension			
	Bleue	Verte	Orange	Jaune
Polyester		2.0	5.0	7.0
Fil mousse nylon		2.0	2.0	5.0

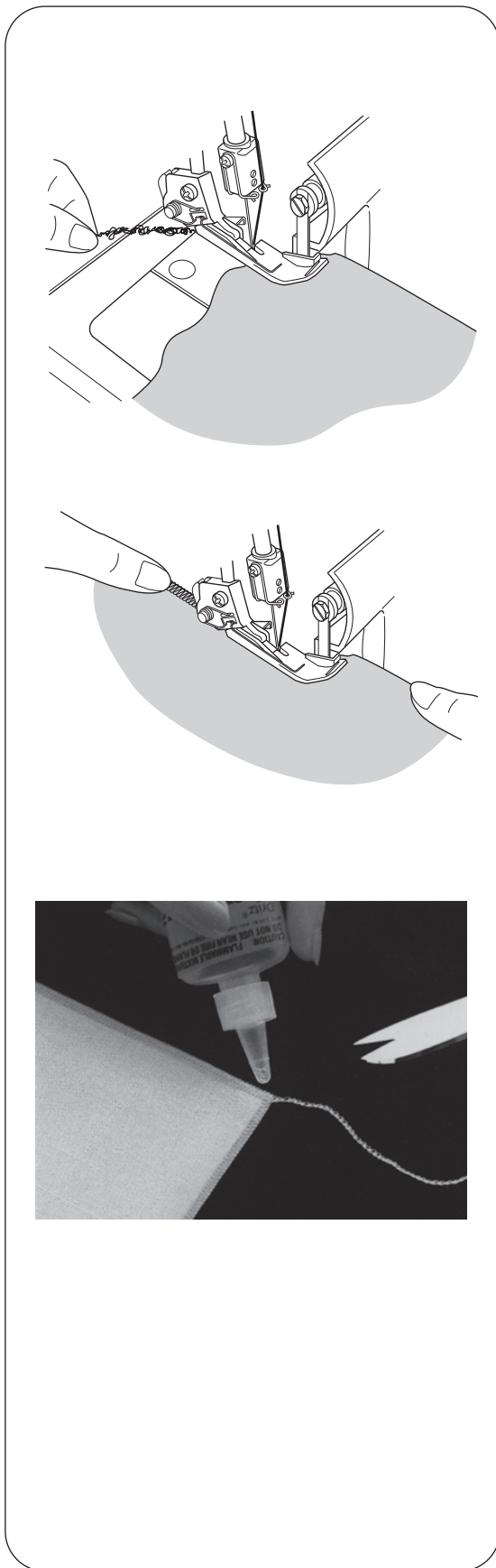
Conseils couture pour l'ourlet roulotté

- Au moment du démarrage, tenez les fils de la chaînette pour éviter qu'ils ne s'emmêlent dans l'ourlet.
- Pour obtenir une meilleure finition de l'ourlet, tendez légèrement le travail dans le sens de la couture.
- La marge de coupe minimale étant de 3.5mm (9/64inch), la largeur de l'ourlet roulotté minimale est environ de 1.5mm (1/6inch).

Pour arrêter les fils de la chaînette de l'ourlet roulotté

- Appliquez une petite goutte de colle liquide pour couture. Laissez sécher puis coupez les fils près des points de piqûre.

Note: Testez la colle liquide pour la tenue des couleurs avant de l'utiliser sur votre ouvrage.



25. AUTRES POINTS ET CONSEILS COUTURE

Comment réaliser un ourlet décoratif plat

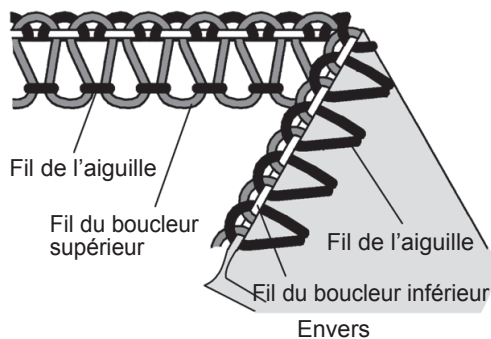
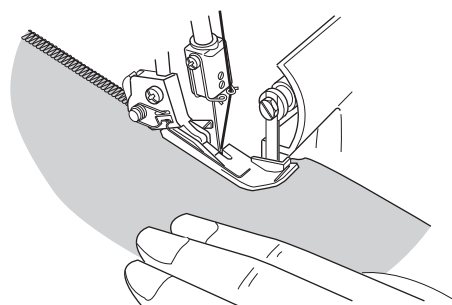
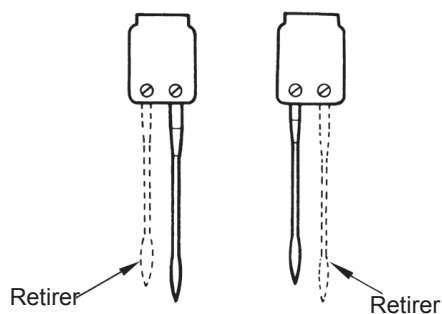
- Le surjet plat est obtenu en ajustant la tension du fil du surjet 3 fils. Une fois la couture terminée, on écarte la couture pour l'aplatir en tirant sur le tissu.
- Le surjet décoratif plat peut être utilisé comme un point d'assemblage décoratif ou uniquement comme un point décoratif.

1) Réglage de la machine

- Retirez l'aiguille droite ou gauche.
- Commencez à partir du réglage de tension du fil pour un surjet 3 fils (voir page 30)
- Desserrez légèrement la tension du fil de l'aiguille (bleue ou verte).
- Desserrez légèrement la tension du fil du boucleur supérieur (orange).
- Serrez largement la tension du fil du boucleur inférieur (jaune).

2) Réalisation d'une couture d'assemblage décoratif

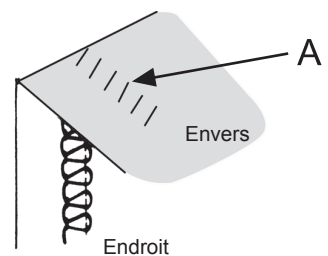
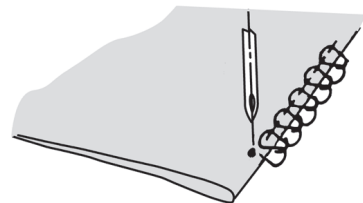
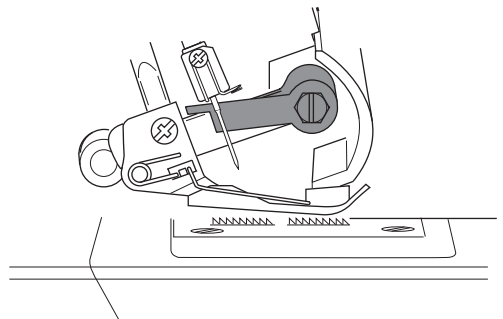
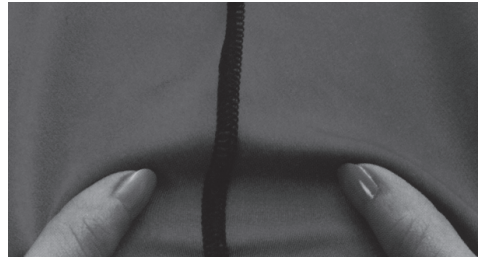
- Placer le tissu envers contre envers et réaliser la couture décorative sur l'endroit du tissu.
- Faites le surjet en rasant le bord du tissu.
- Le fil de l'aiguille (bleue ou verte) formera un V sur l'envers du travail.
- Le fil du boucleur inférieur est tendu sur le bord du tissu.



- Ecarter la couture en tirant sur le tissu pour rendre le surjet plat.

(3) Réalisation d'un surjet décoratif

- Placez le couteau mobile en position de repos (voir page 25). Cette couture ne coupe pas le bord du tissu.
- Pliez le tissu envers contre envers.
- Posez le travail de manière de faire dépasser le surjet de la pliure du tissu.
- Ecartez la couture en tirant sur le tissu pour rendre le surjet plat.



(4) Informations complémentaires sur le surjet à plat.

- Les tensions doivent être correctement réglées pour que le surjet s'aplatisse.
- Le fil visible à l'endroit du travail est le fil du boucleur supérieur. Enfilez le boucleur supérieur avec un fil décoratif et le boucleur inférieur et l'aiguille avec un fil ton sur ton.
- Pour obtenir une couture échelle, plier votre travail endroit contre endroit. Le fil qui formera l'échelle à l'endroit est le fil de l'aiguille (A).

Comment réaliser un ourlet invisible

- La finition et la couture de l'ourlet sont faites en une opération (le surplus du tissu coupé et le bord à vif surjeté).
- Ce point est particulièrement adapté à la couture des ourlets dans le jersey et la tricot. Il offre une finition solide, presque invisible.
- Retirez l'aiguille de gauche et réglez la machine pour un surjet 3 fils étroit.

Note: Vous pouvez également utiliser le surjet 3 fils plat

- Réglez la longueur du point sur 4.
- Pliez l'ourlet sur l'envers du tissu, puis sur l'endroit en laissant le bord dépasser de 6mm (1/4inch) de la pliure du tissu.
- Condre sur le bord du tissu en laissant l'aiguille prendre juste le bord du pli.

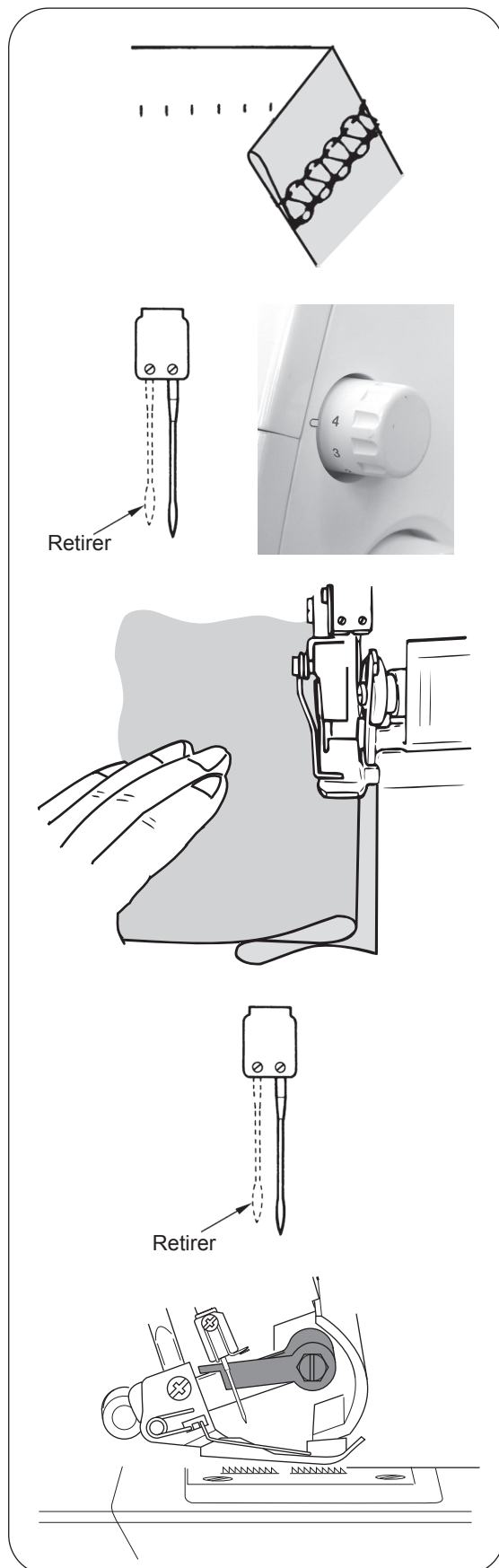
Note: Un pied presseur spécial ourlet invisible est disponible en option (voir page 46)

Comment réaliser des nervures

- Faites les nervures sur le tissu avant de couper votre ouvrage.
- Retirez l'aiguille gauche et réglez la machine pour un surjet 3 fils.

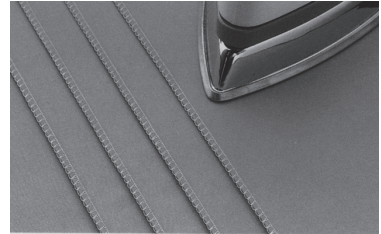
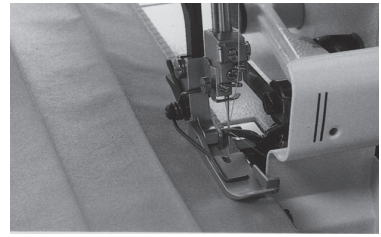
Note: Vous pouvez également utiliser l'ourlet roulotté.

- Mettre le couteau mobile en position de repos (voir page 25).
- Marquez le nombre de nervures sur votre tissu en utilisant un marqueur effaçable à l'eau.



- Pliez le tissu envers contre envers et cousez.

- Repassez les nervures dans le même sens.



Comment tourner à angle droit

(1) Angle extérieur

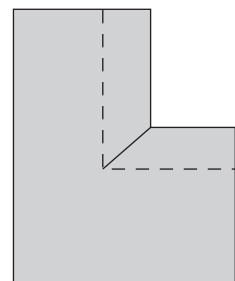
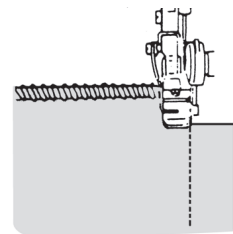
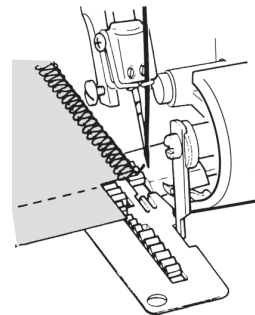
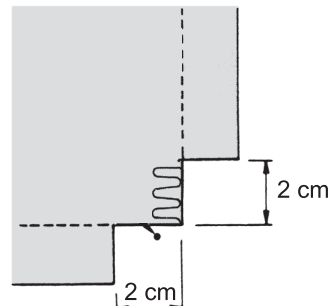
- Découpez environ 2 cm (51/64inch) de tissu autour du coin, en ligne avec le bord du surjet.
- Cousez un point au-delà du point (A) et arrêtez.
- Relevez l'aiguille et le pied presseur.
- Tirez le travail vers l'arrière de la machine juste assez pour dégager la chaînette du doigt mailleur de la plaque à aiguille.

Note: Le pied presseur ne figure pas sur le dessin pour mieux montrer les détails.

- Tournez le tissu et alignez le bord coupé avec le couteau, puis baisser le pied presseur.
- Retendre les fils, puis continuez à coudre.

(2) Angle intérieur

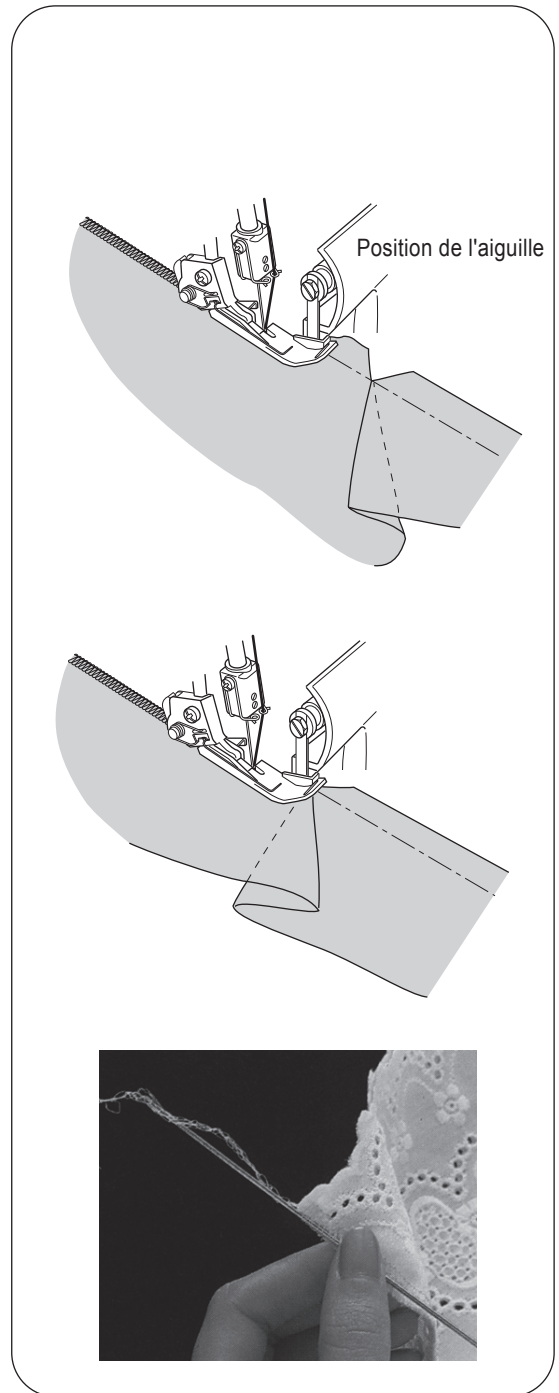
- Coupez le tissu au bord de la ligne de piqûre.



- Placez le couteau mobile en position de repos. (voir page 25)

- Cousez sur le bord du tissu coupé.
- Arrêtez la couture avant d'arriver au coin et faire un pli vers la gauche afin de retrouver une ligne de piqûre droite.

- Continuez à coudre en avançant doucement. Tenez le bord en ligne droite et déplacez le pli au fur et à mesure de la couture.



Placement des épingles

- Placez les épingles à gauche du pied presseur. Vous les retirerez facilement et elles ne risquent pas d'être en contact avec les couteaux.



Attention!
si vous cousez sur les épingles vous risquez d'abîmer ou de détruire les lames des couteaux

Comment arrêter les fils

- Prenez une aiguille à coudre à la main, à gros chas (type tapisserie) et l'enfilez avec la chaînette.
- Passez la chaînette dans le surjet à l'aide de l'aiguille pour arrêter les fils.

Note: Pour arrêter la chaînette de l'ourlet roulotté (voir page 39).

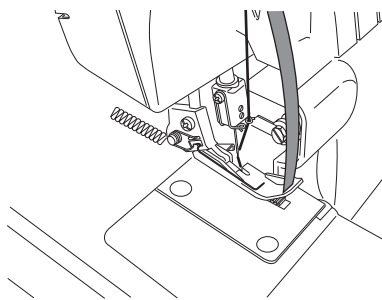
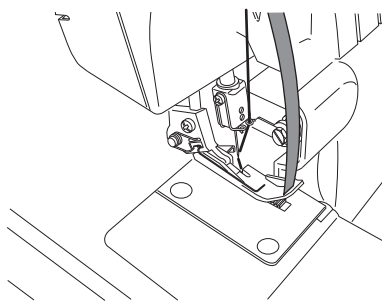
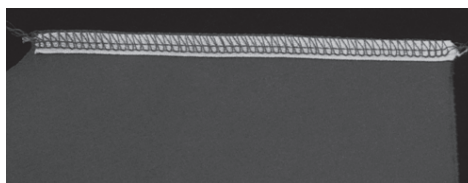
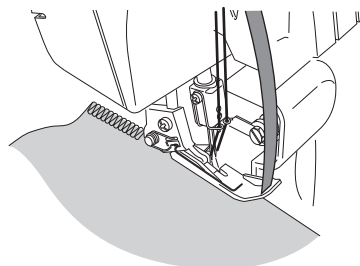
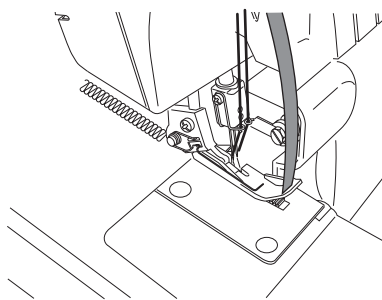
Comment renforcer la couture

- L'insertion d'un ruban dans le surjet permet l'obtention d'une couture plus solide.
- Passez le ruban sous le pied presseur par l'ouverture sur le devant du pied et le tirer vers l'arrière de la machine.
- Commencez à coudre.

- Le ruban est fixé sur votre ouvrage au fur et à mesure de la couture.

Réalisation d'une tresse décorative à partir de la chaînette de surjet

- Placez le couteau mobile en position de repos.
- Passez un cordonnet, un lacet ou un ruban par l'ouverture à l'avant du pied presseur.
- Placez le ruban sous le pied presseur et sortez une longueur de chaînette de surjet souhaitée.
- Vous pouvez utiliser la chaînette seule ou tresser 3 ou 4 chaînettes ensemble.



26. ENTRETIEN DE LA MACHINE

Une surjeteuse nécessite plus d'entretien qu'une machine à coudre traditionnelle principalement pour deux raisons:

- 1) L'action du couteau produit beaucoup de bourre.
- 2) La surjeteuse fonctionne à une vitesse élevée et nécessite aussi un graissage fréquent pour lubrifier les pièces du mécanisme.

Nettoyage de la machine

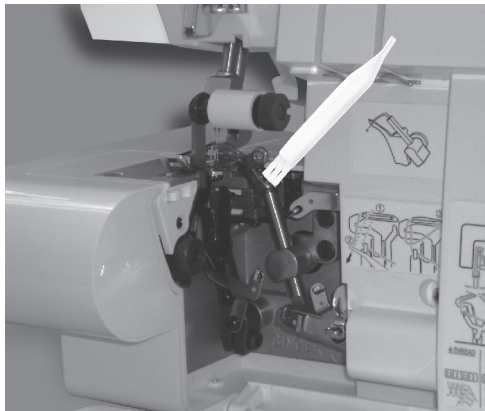


Attention!

Avant de nettoyer la machine débranchez la prise du courant.

- Retirez fréquemment la bourre à l'aide d'une brosse sèche vers les boucleurs et les couteaux.

Note: La brosse est en option.



Lubrification de la machine

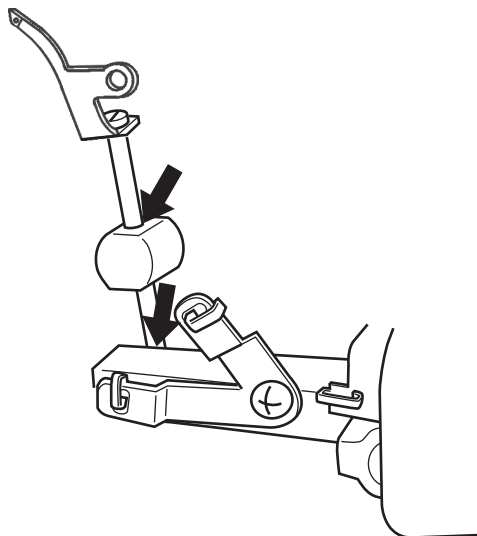


Attention!

Avant de lubrifier votre machine débranchez la prise du courant.

- Les points indiqués sur le schéma doivent être lubrifiés périodiquement.

Note: Utilisez de l'huile de machine à coudre. L'utilisation d'une toute autre huile peut causer des dommages.



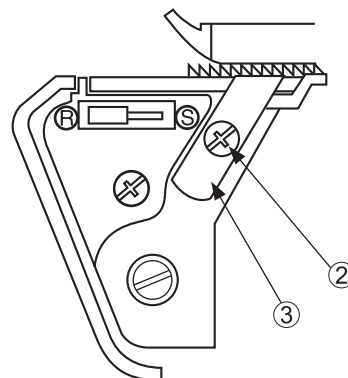
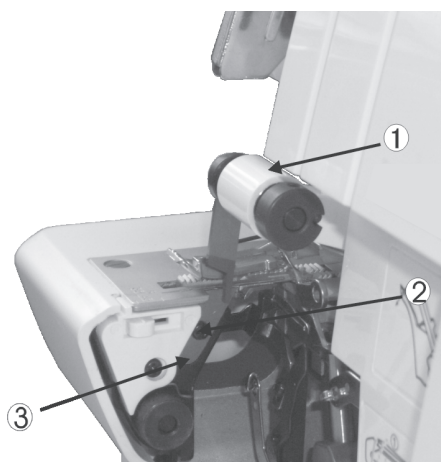
Comment remplacer le couteau fixe



Attention!

Avant de changer le couteau fixe débranchez la prise du courant.

- Le couteau fixe doit être changé lorsque la lame est émoussée.
- Vous pouvez remplacer le couteau fixe vous même en suivant les instructions, toutefois en cas de difficultés, consultez notre service après vente pour les réglages.
- Vérifiez que la prise de courant est débranchée.
- Ouvrez le cache-boucleurs et mettez le couteau mobile (1) en position de repos (voir page 25).
- Desserrez la vis de fixation du couteau fixe (2) et retirez le couteau (3).
- Placez le nouveau couteau dans la rainure du support du couteau fixe.
- Resserrez la vis de fixation du couteau fixe (2).
- Remettez le couteau mobile en position de travail.



27. QUE FAIRE SI

PROBIEME	SOLUTION	PAGE
Le tissu est mal entraîné	-Allonger la longueur du point	21
	-Augmenter la pression du pied presseur pour les tissus lourds	22
	-Diminuer la pression pour les tissus légers	22
L'aiguille se casse	-Insérer l'aiguille correctement	11
	-Ne pas tirer sur le travail lors de la couture	29
	-Resserrer la vis du pince-aiguille	11
	-Utiliser une aiguille plus grosse pour les tissus lourds	7
Le fil se casse	-Vérifier l'enfilage	12~19
	-Démêler les fils	20
	-Insérer l'aiguille correctement	11
	-Changer l'aiguille si elle est endommagée ou épointée	7
	-Utiliser des fils de bonne qualité	50
	-Diminuer la tension du fil	31~39
La machine fait des manques de points	-Changer l'aiguille, elle est peut-être tordue ou épointée	7
	-Resserrer la vis du pince-aiguille	11
	-Insérer l'aiguille correctement	11
	-Changer de type ou de grosse diaiguille	7
	-Vérifier l'enfilage	12~19
	-Augmenter la pression du pied presseur	22
-Utiliser du fil de bonne qualité	50	
Le point est irrégulier	-Régler la tension des fils	31~39
	-Démêler les fils	20
	-Enfiler la machine correctement	12~19
Le tissu fronce	-Desserrer la tension des fils	31~39
	-Démêler les fils	20
	-Utiliser un fil pour les tissus légers	50
	-Diminuer la longueur du point	21
	-Diminuer la pression du pied presseur pour les tissus légers	22
Le bord du tissu est mal coupé	-Vérifier l'alignement des couteaux	48
	-Remplacer le ou les couteaux	48
Le tissu n'avance plus	-Fermer le cache-boucleurs avant de coudre	9
	-Démêler les fils	
	-Compresser les grosses épaisseurs de tissu avec une machine traditionnelle avant de surjeter	20
La machine ne fonctionne pas		9
	-Brancher la prise de courant	

28. RELATION ENTRE LE TISSU, LE FIL ET L'AIGUILLE

Type de tissu	Type de fil	Aiguille Singer Cat.No2022
TISSUS FINS batiste, organdi, voile, crêpe, etc	Coton: #100 Soie: #100 Fils tors: #80-#90 Tetron: #80-#100	#11
TISSUS MOYENS mousseline, satin gabardine, drap fin etc	Coton: #60-#80 Soie: #50 Fils tors: #60-#80 Tetron: #60-#80	#11, #14
TISSUS LOURDS oxford, jean tweed velours côtelé serge	Coton: #40-#60 Soie: #40-#60 Fils tors: #60-#80 Tetron: #50-#80	#16
TISSUS A MAILLES Tricot Jersey Laine	Fils tors: #80-#90 Tetron: #60-#80	#11
	Fils tors: #60-#80 Tetron: #60-#180 Coton: #60-#80	#11, #14
	Fils tors: #60-#80 Tetron: #50-#60 Fil mousse nylon Fil mousse tetron	#11, #14

La machine est livrée avec une aiguille Singer Cat . No 2022.

Il est recommandé de sélectionner l'aiguille en fonction de la matière de votre ouvrage.

29. CARACTERISTIQUES TECHNIQUES

Caractéristique	Spécification
Vitesse de piqûre	1,200 ± 150 points / minute
Longueur du point	1 - 4mm(ourlet roulotté F-2, surjet ordinaire3,0)
Rapport d'entraînement différentiel	1 :0.7-1.2 (sur les modèles à entraînement différentiel)
Largeur du surjet	Ourlet roulotté 1,5mm, surjet normal 3.0-6.7mm(standard :3.5mm)
Course de la barre à aiguille	27mm
Elévation du pied presseur	4.5 ~ 5.0mm
Aiguille	SINGER N°2022 # 14 SINGER N°2022 # 16
Modèle	X5004-HD
Nombre de fils	2,3,4
Dimensions de la machine(mm)	
Largeur	338
Profondeur	280
Hauteur	265
Poids (Kg)	6.2

(Eng./Spa./Fren.)

Part No.600512-001

Rev.1

Printed in China

www.singer.com

**SINGER (SHANGHAI) SEWING MACHINE CO.,LTD
No.1078,Dayao Road,MinHang,Shanghai 200245,China.**