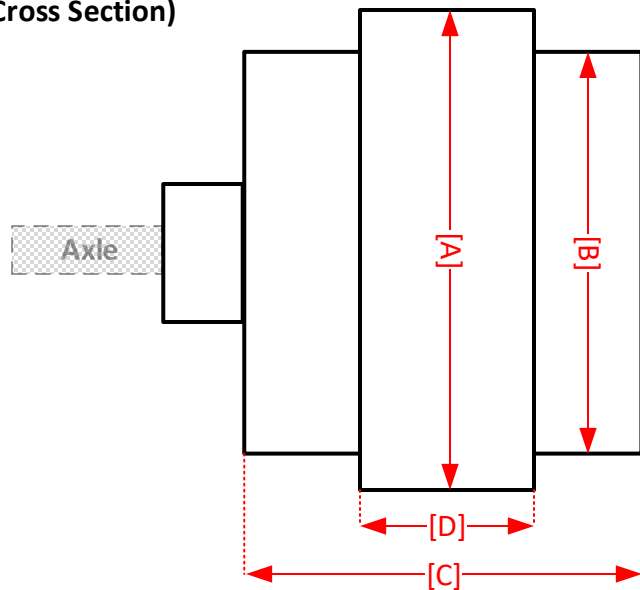




# Tire/Wheel Dimensions Worksheet

Car/Wheel: \_\_\_\_\_

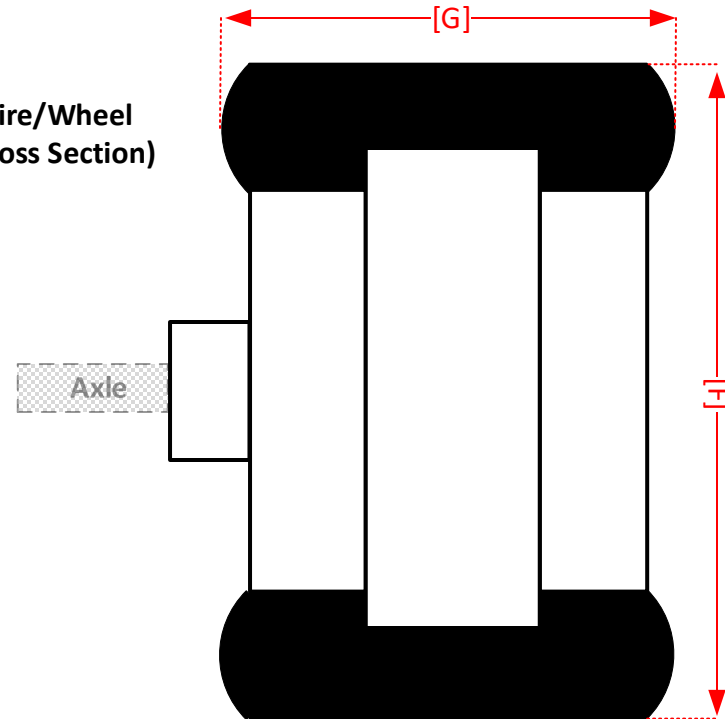
Wheel  
(Cross Section)



### Wheel Measurements

- Center Rib OD [A] \_\_\_\_\_ mm
- Shoulder OD [B] \_\_\_\_\_ mm
- Overall Width [C] \_\_\_\_\_ mm
- Center Rib Width [D] \_\_\_\_\_ mm

Tire/Wheel  
(Cross Section)



### Tire Measurements (Tire Mounted on Wheel)

- Tire OD [F] \_\_\_\_\_ mm
- Overall Tire Width [G] \_\_\_\_\_ mm

NOT to Scale