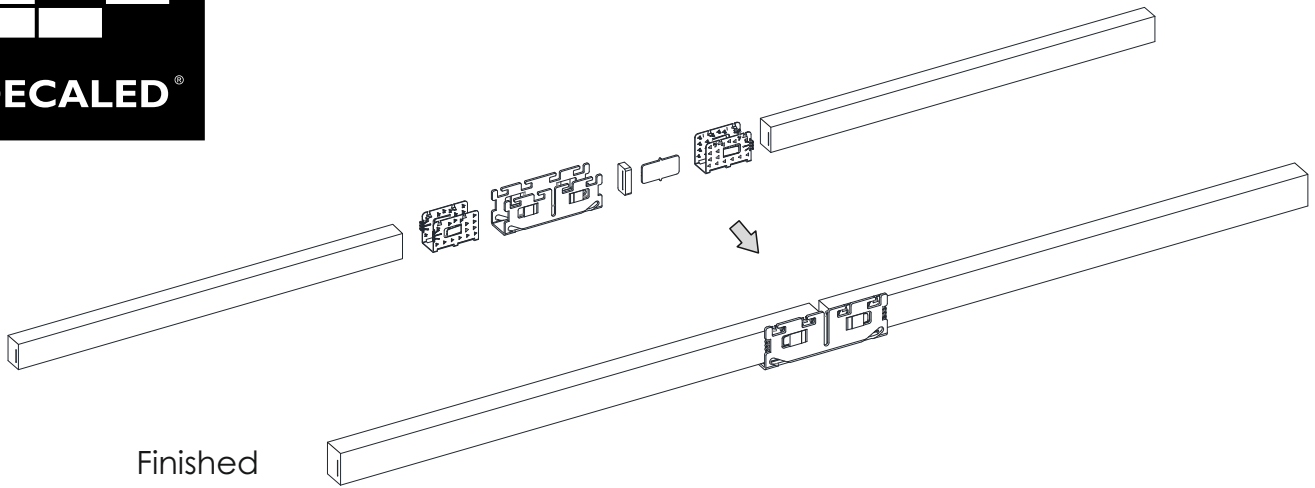


DECALED®

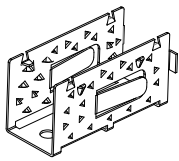
DecaLED® Product code(s): 95205671, 95205771

Quick Manual

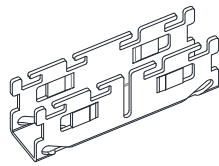


Finished

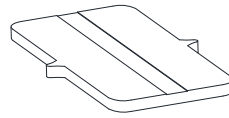
### 1.Components



Anti-skidding Clip(1pc)



U Steel Plate (1pc)

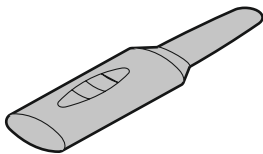


Seamless Middle Connector [PCB](1pc)

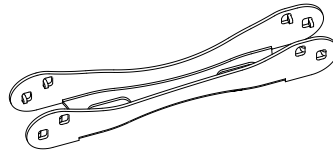


Silicon Gasket(1pc)

### 2.Tool



Insert inducer



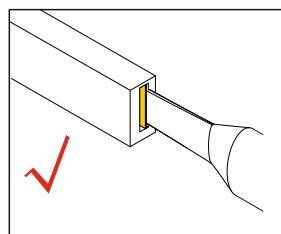
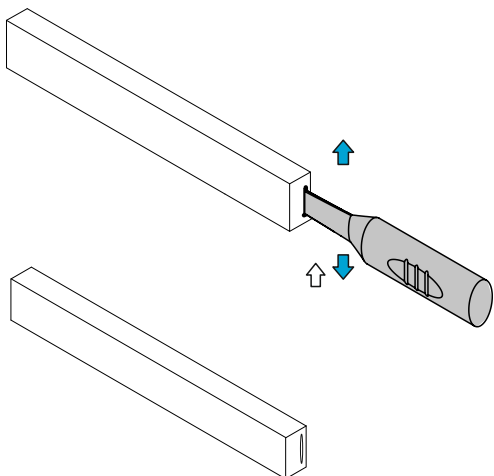
Gripper



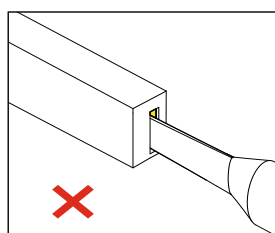
Waterproof Grease with brush

## STEP

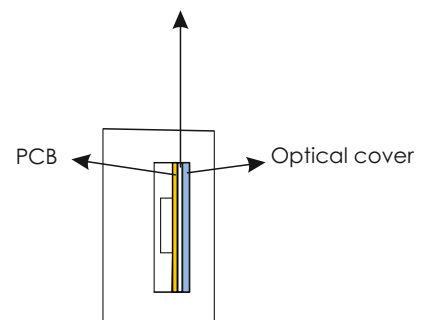
I.

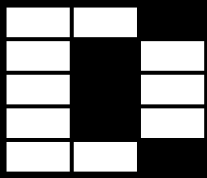


Insert into the back side of PCB



The correct position for inserting the Inducer





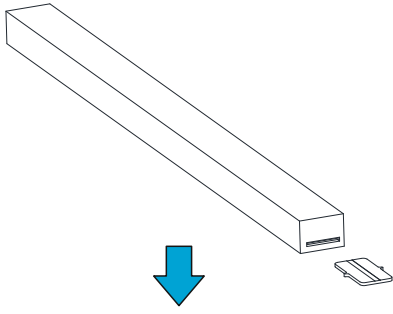
**DECALED®**

**DecaLED®**

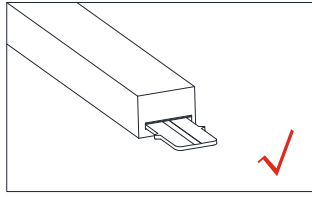
Product code(s): 95205671, 95205771

**Quick Manual**

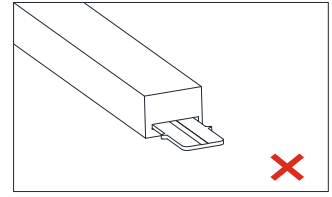
II.



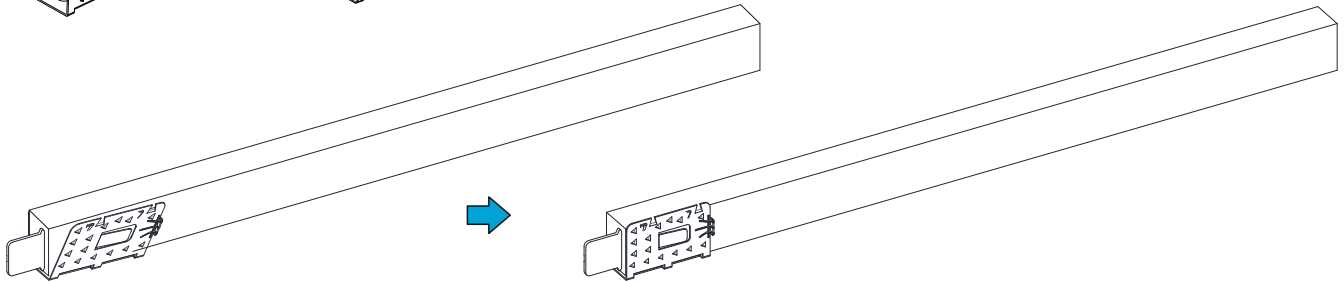
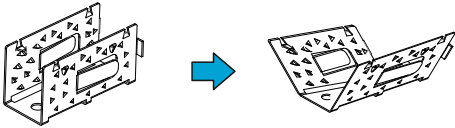
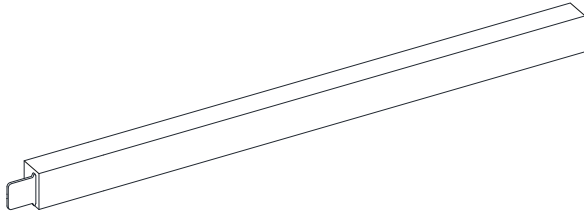
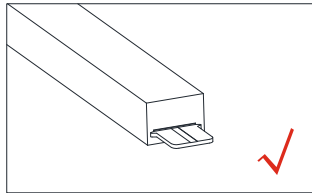
Insert into the back side of PCB



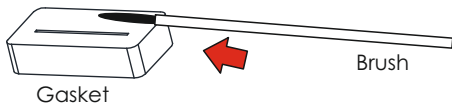
on the front side of PCB



Just on the salient point of the connector

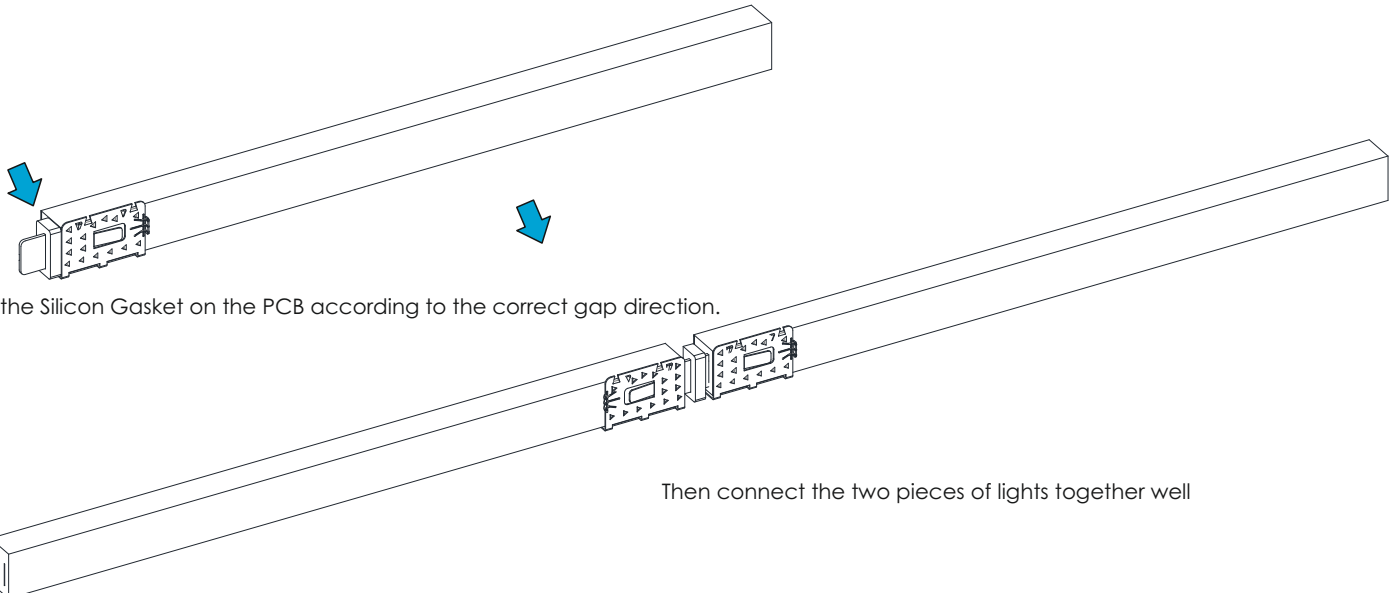


III.



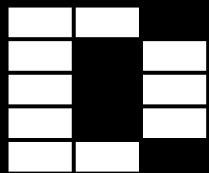
Use brush with waterproof grease on both sides of the gasket!

IV.



Insert the Silicon Gasket on the PCB according to the correct gap direction.

Then connect the two pieces of lights together well

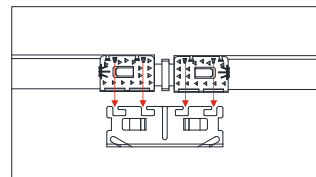
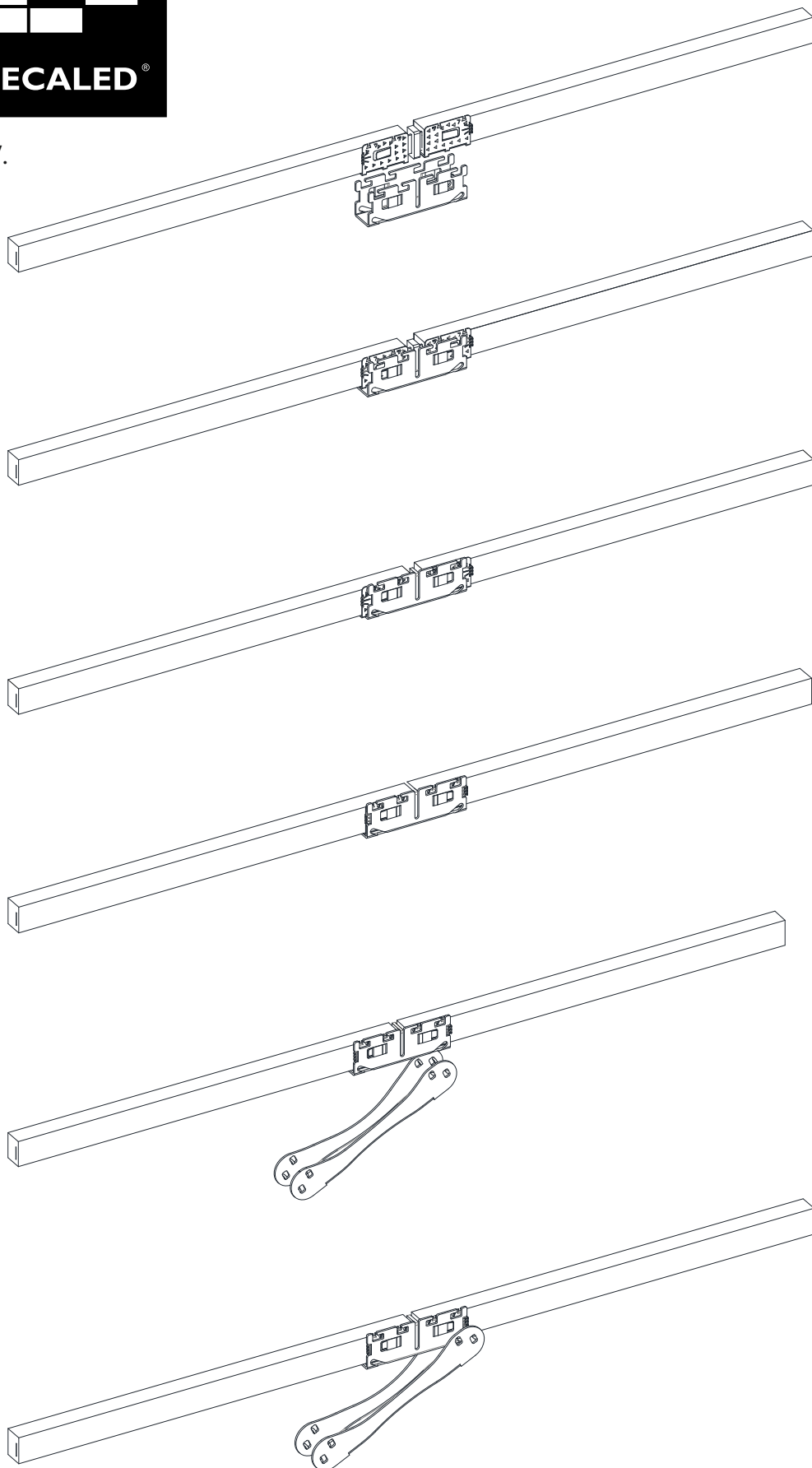


**DECALED®**

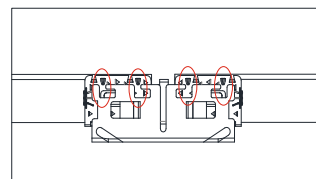
**DecaLED®** Product code(s): 95205671, 95205771

**Quick Manual**

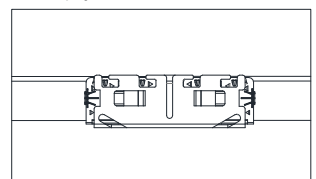
V.



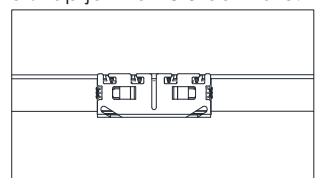
Make the U Steel Plate and snap joint on Anti-skidding Clip on a same line.



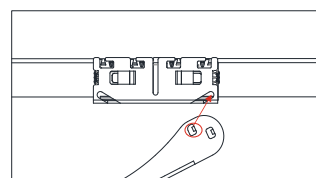
The salient point on side of Anti-skidding Clip should be in the same line with the snap joint on U Steel Plate.



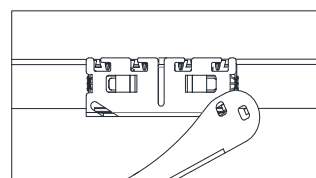
Press the light slightly and make the salient point on Anti-skidding Clip slide into the snap joint on U Steel Plate.

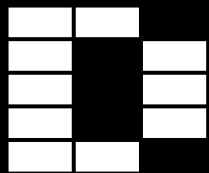


make the salient point on Anti-skidding Clip and the snap joint on U Steel Plate in same position.



Using the Gripper according to the snap joint position.

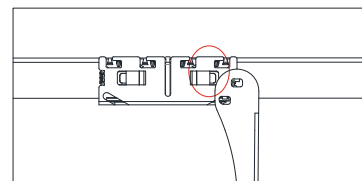
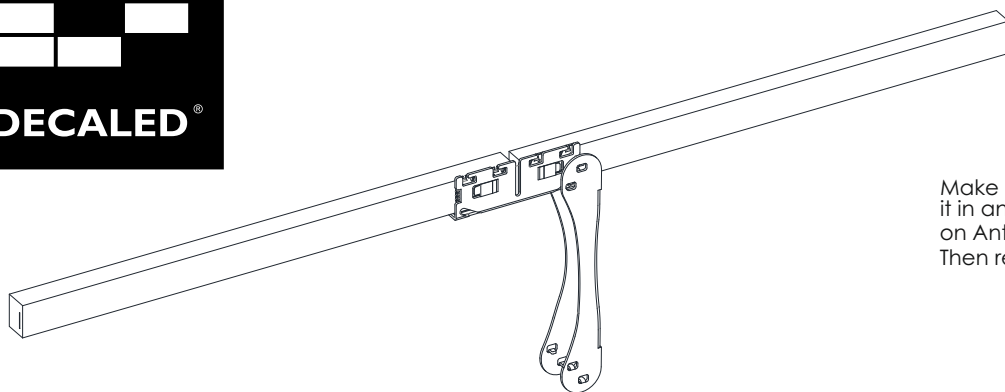




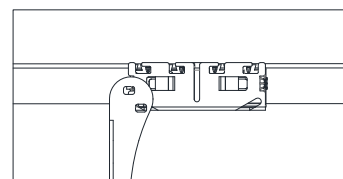
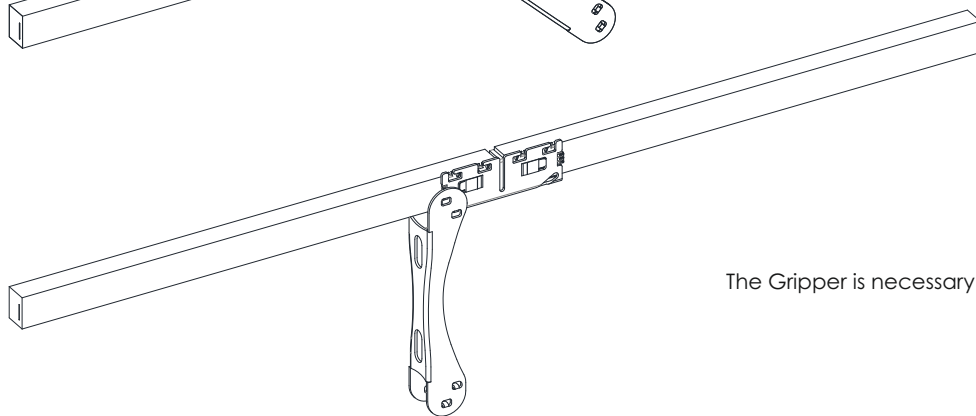
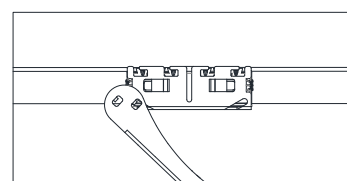
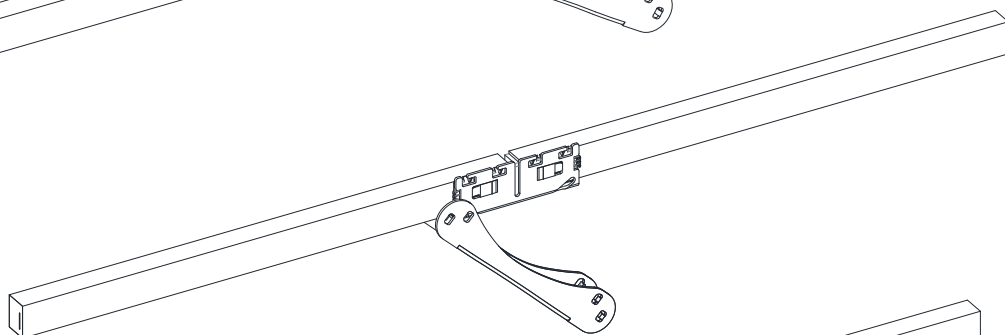
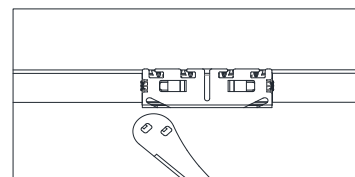
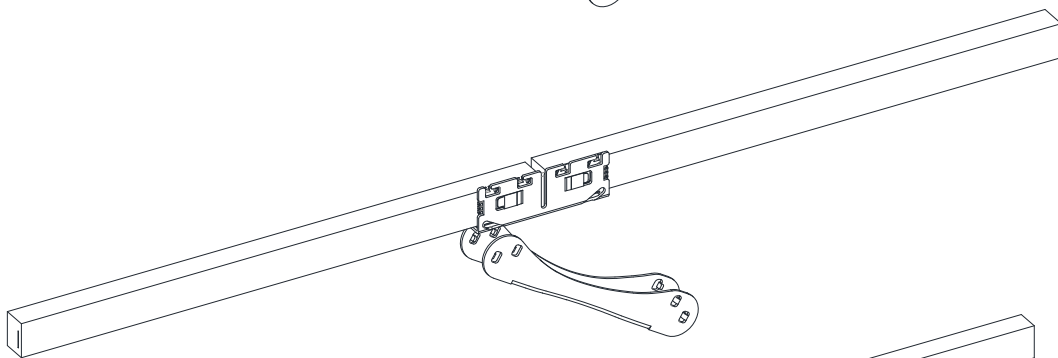
DECALED®

DecaLED® Product code(s): 95205671, 95205771

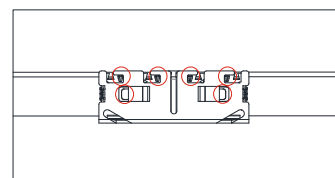
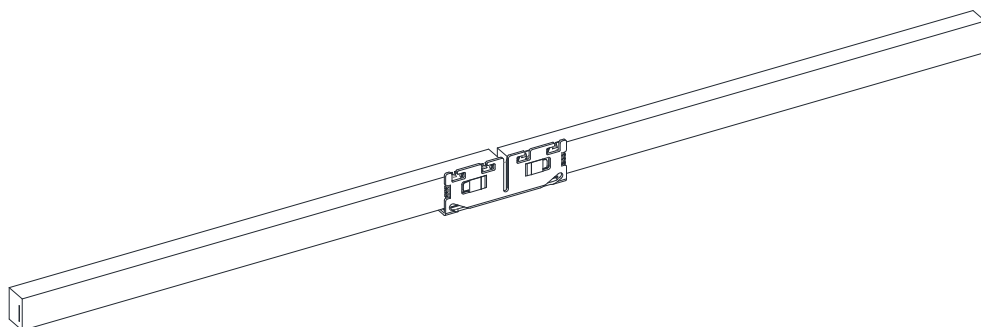
Quick Manual



Make the Gripper in correct position and rotate it in anticlockwise direction until the shrapnel upsprings on Anti-Skidding Clip and reaches U Steel Plate Then remove the Gripper.



The Gripper is necessary during installation.



Please note that all salient point must be in the correct position.