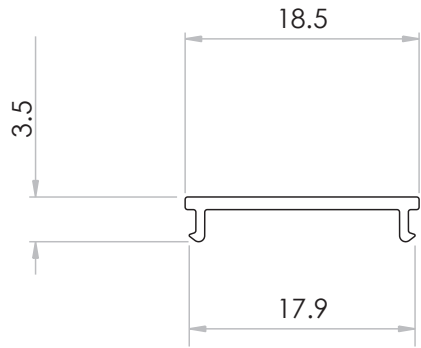
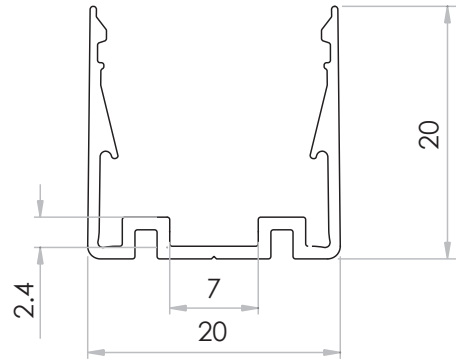


**Pro Flex D16 Profile, 2000x20x20mm, Frost Cover**

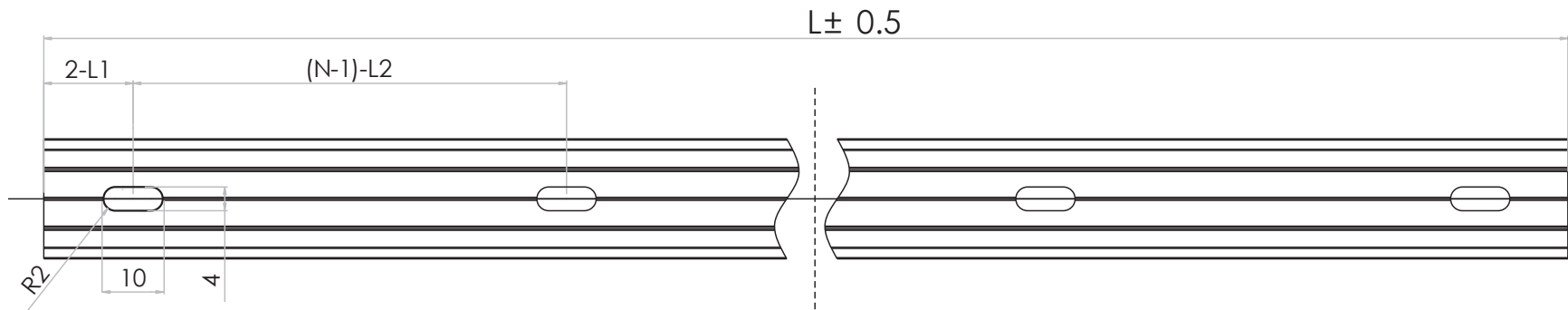
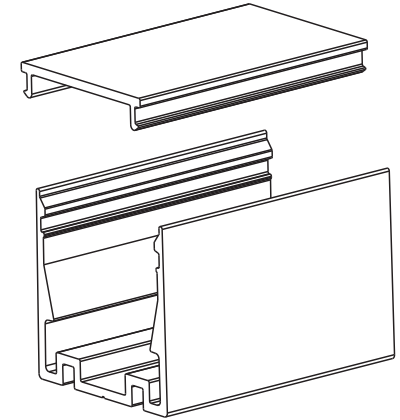
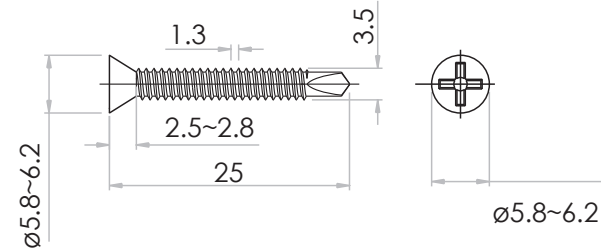
Product code: 95165793



Tolerance(PC)± 0.3mm



Tolerance(AL)± 0.2mm



Note:

1. 2-L1 refers to two of symmetric L1 in each piece of profile.
  2. (N-1)-L2 refers to (N minus one) of symmetric L2 in each piece of profile.
- "N" hereby stands for its corresponding "Hole Number" in the below table