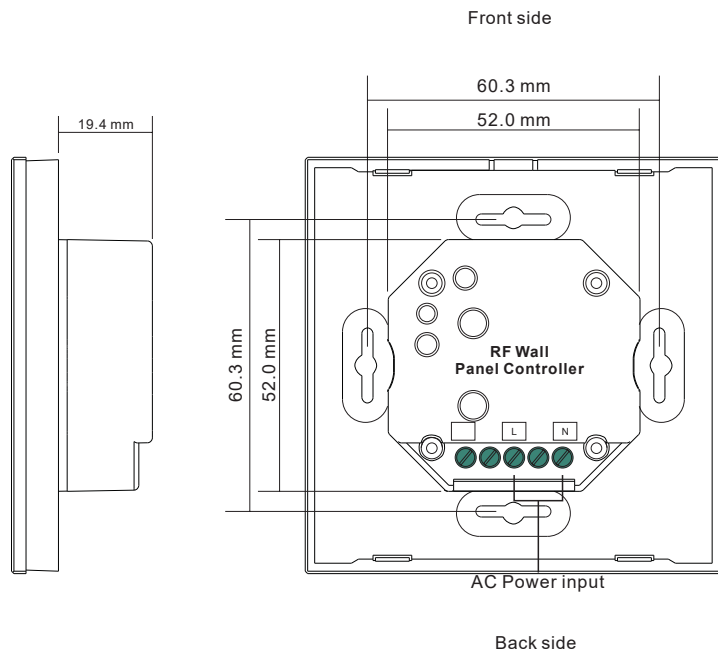
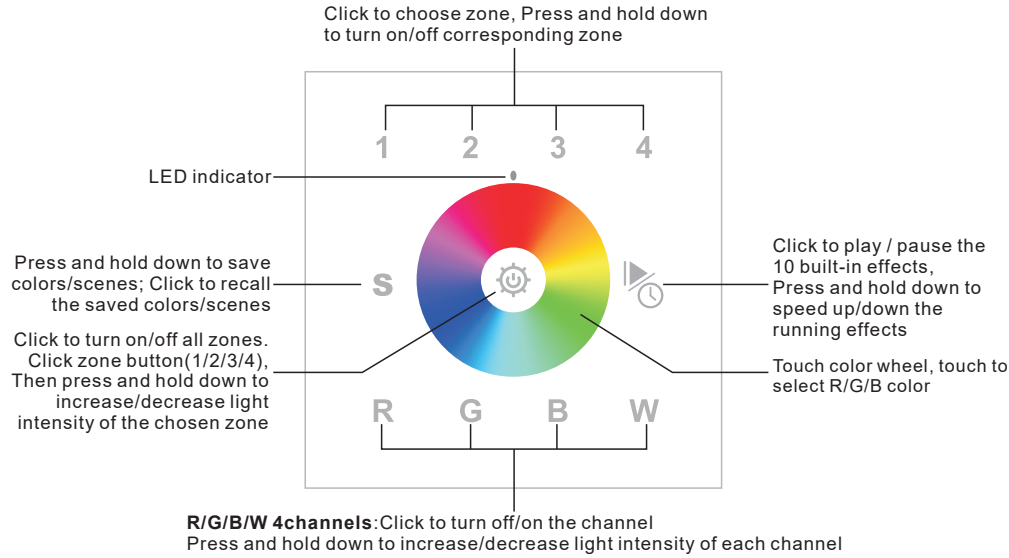


RF Wandpanel RGB-W Wit (96300321)



Important: Read All Instructions Prior to Installation

Function introduction



Product Data

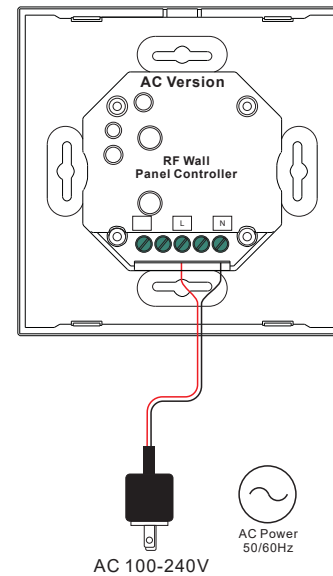
Output Signal	RF signal
Power Supply	100-240VAC
Power consumption	20 mA
Operating temperature	0-40°C
Relative humidity	8% to 80%
Dimensions	86x86x29.1mm

- Touch sensitive
- Glass interface(white & black)
- Compatible with all universal series RF receivers
- Radio frequency: 869.5/434MHz
- Control RGBW color
- Control 4 zones synchronously and separately
- Waterproof grade: Ip20


Safety & Warnings

- DO NOT install with power applied to device.
- DO NOT expose the device to moisture.

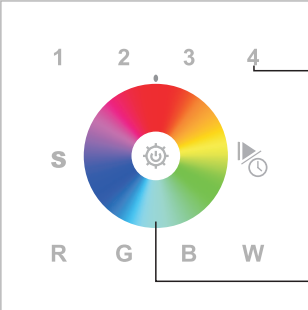
Wiring diagram




Operation

1. Do wiring the wall panel & RF receiver according to wiring diagram (please refer to the instruction of RF receiver that you would like to pair with)
2. Power on, then touch the button  to turn on the controller, indicator of the controller turned blue

Pair with RF receiver(Method 1)



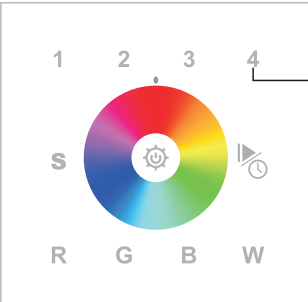
Step 1:Click the “Learning Key” button on RF receiver or re-power on the receiver three times continuously to set it into pairing status




Step 2:Choose and click a zone number(e.g. zone 4)

Step 3:Touch the color wheel, LED lights connected with the RF receiver flicker once means the receiver is paired with zone 4 successfully.

Pair with RF receiver(Method 2)



Step 1:Power off and power on the receiver



Step 2:Choose and click a zone number(e.g. zone 4) three times, then press and hold it continuously and quickly within 10 seconds, LED lights connected with the RF receiver flicker once means the receiver is paired with zone 4 successfully.

Save color/scene/mode



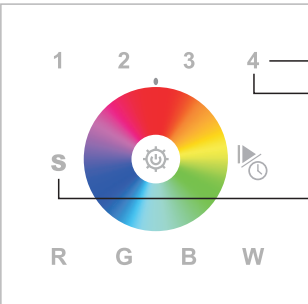
Step 1:Choose and click one or multiple paired zone numbers(e.g. zone 4)

Step 2:Touch the color wheel or click the other buttons to select the scene you like

Step 3:Press and hold down button S until the LED indicator flashes once

Step 4:Immediately click any number of 1-4(e.g. 4)(here the numbers mean 4 scenes can be saved for the selected zone) , LED lights connected with the RF receiver flicker once means the color/scene was saved successfully.

Recall the saved colors/scenes



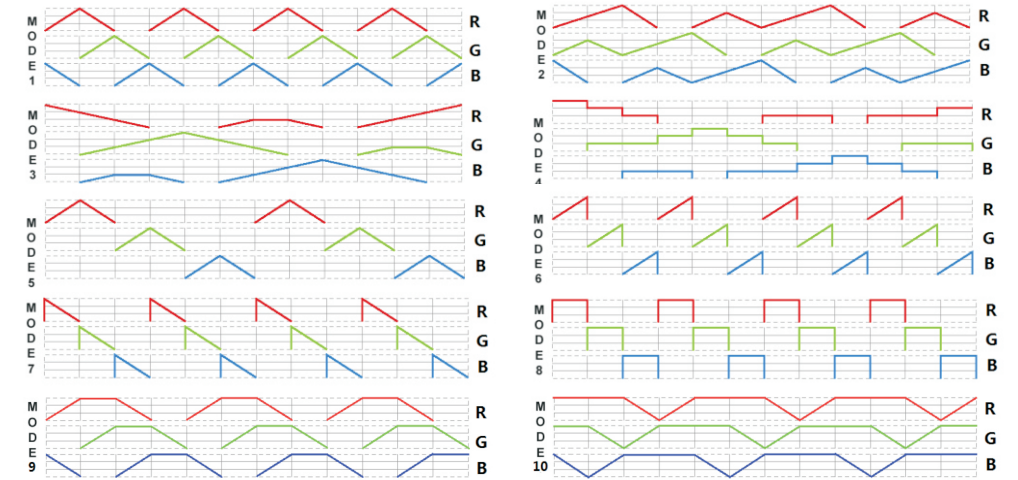
Step 1:Choose and click one or multiple paired zone numbers(e.g. zone 4)

Step 2:Click button S

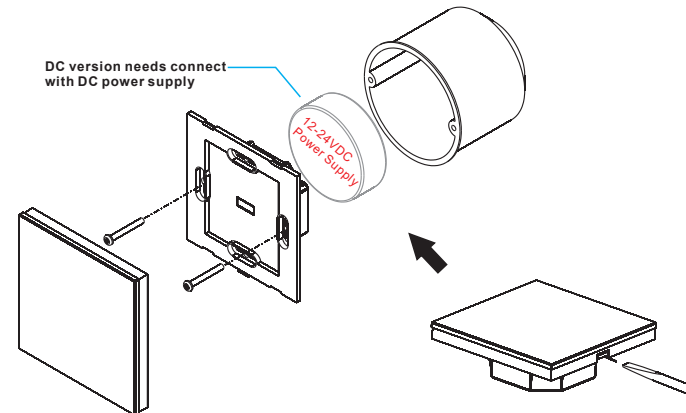
Step 3:Click any numbers 1-4(e.g. 4)(here the numbers means the 4 scenes saved for selected zone) to recall the saved scene

Built-in 10 color changing modes are as follows:

- Mode 1: Any two colors of RGB mix fade-in & fade-out
- Mode 2: RGB three colors mix fade-in & fade-out
- Mode 3: RGB three colors mix fade-out & fade-in
- Mode 4: RGB flash
- Mode 5: RGB three colors fade-in & fade-out successively
- Mode 6: RGB three colors fade-in successively
- Mode 7: RGB three colors fade-out successively
- Mode 8: RGB three colors jump changing successively
- Mode 9: R&B two colors mix fade (R in B out), then G fade-in, then R&B mix fade (R out B in), then G fade-out
- Mode 10: B fade-out, then G&B mix fade (G out B in), then R&G mix fade (R out G in), then R fade-in



Installation



How to stop running mode of single color LED light caused by RGBW sender interference:

1. When pairing single color LED light to a single color remote, it might be interfered and paired by nearby RGBW senders, which might control the single color light into running mode. The running mode can not be stopped by the paired single color remote or by delete pairing.
2. Then we need this remote, and pair the remote to the receiver via above “Pair with RF receiver(Method 2)”, then touch the color wheel to stop the running mode.
3. Then delete pairing and pair the receiver to the single color remote again, it can be controlled by the remote again.