

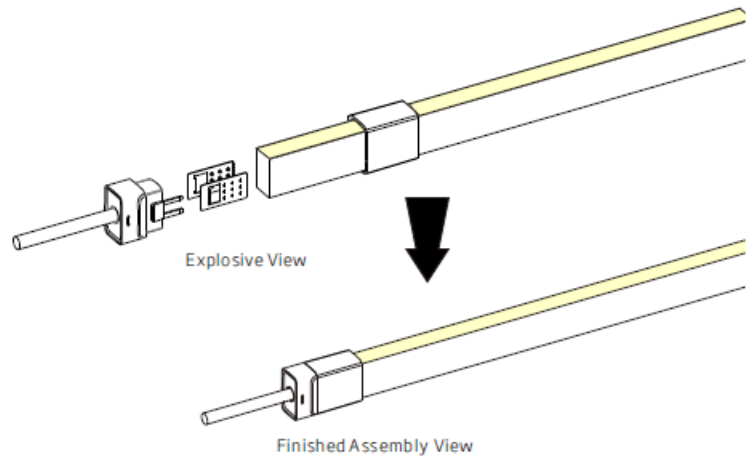
Indoor Connector

Please ignore these steps if the front connector has been assembled before delivery.

Note:

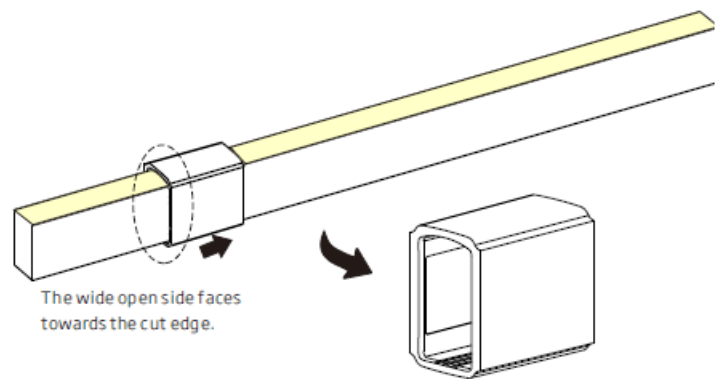
1. Never wet the assembly units or assemble with wet hands.
2. Please use the tools correctly.
3. Please pay attention to personal security when using tools.

1. Components of Front Connector



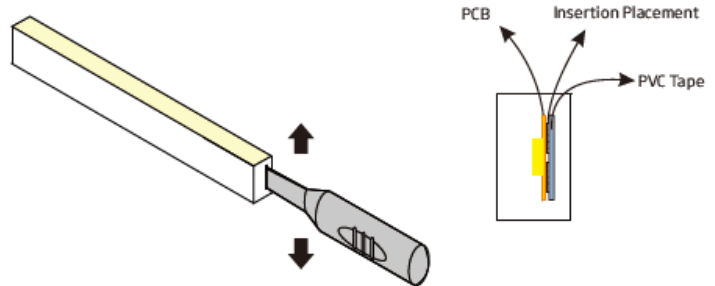
2. Installation Steps

2.1 Placing PC Cover



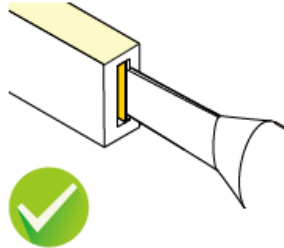
3. Installation Steps

3.1 Inducing a Cavity for Feed Connector

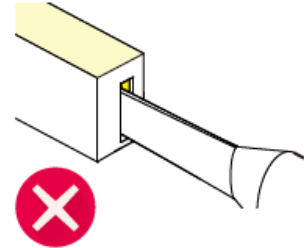


NEVER insert into the front side (LED side) of the PCB

Insert the inducer to the backside of PCB around 10~12mm, move the inducer up and down 3~5 times gently to create a small cavity.



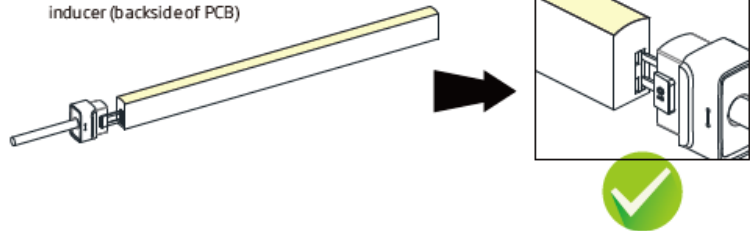
Insert the inducer into the backside of PCB



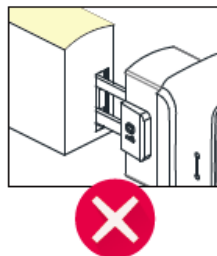
It will damage the light if insert into the front of PCB

3.2 Insert the Feed Connector

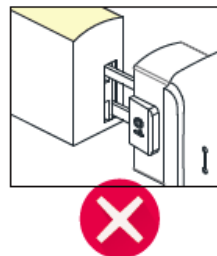
Insert the feed connector pins into the cavity that you created with the inducer (backside of PCB)



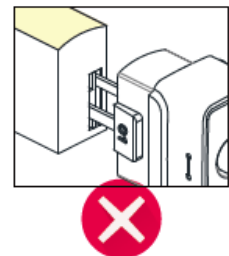
The following operations are prohibited:



Insert into the front side of the PCB

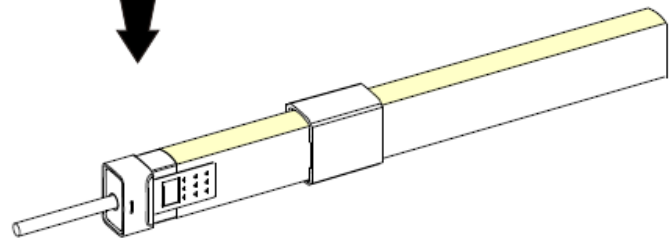
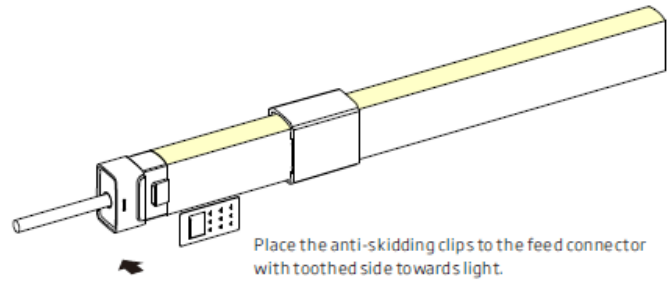


Insert crosswise into the PCB

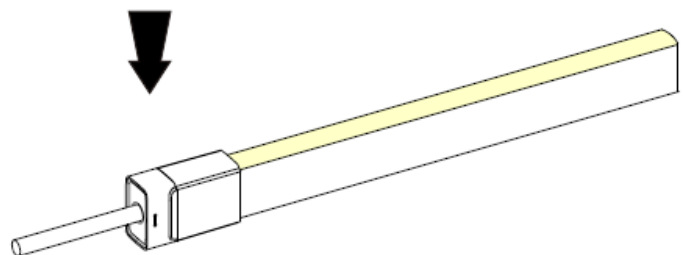
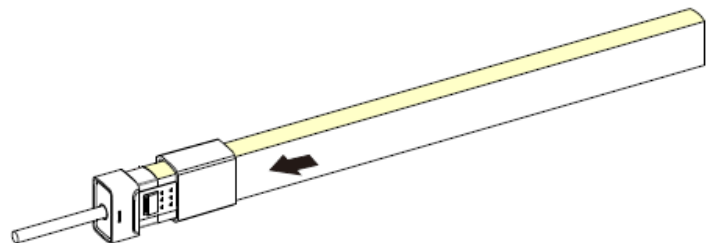


Insert crosswise into the PCB

3.3 Installation of Anti-SkiddingClip



3.4 Slide back the PC Cover to cover the anti-skidding clip completely.



Please energize the light to check its functionality after connector assembly.

Indoor End Cap

Please ignore these steps if the end cap has been assembled before delivery.

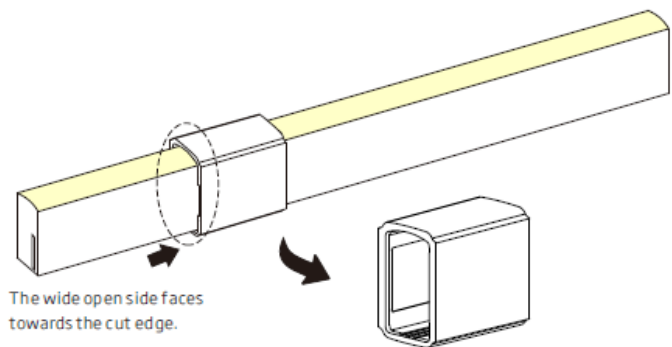
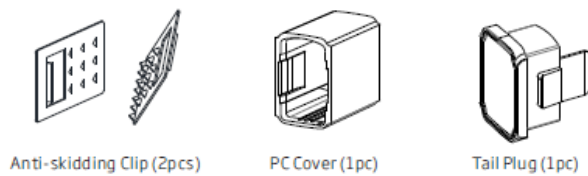
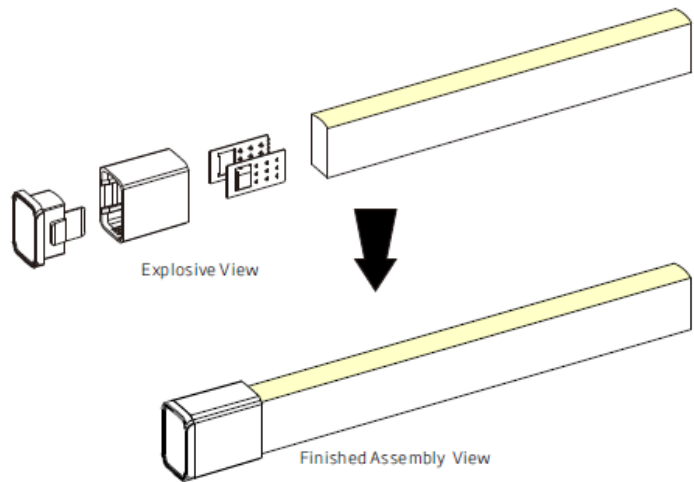
Note:

1. Never wet the assembly units or assemble with wet hands.
2. Please use the tools correctly.
3. Please pay attention to personal security when using tools.

1. Components of End Cap

2. Installation Steps

2.1 Placing PC Cover



Pay attention to the direction of the PC cover