

Outdoor Front Connector

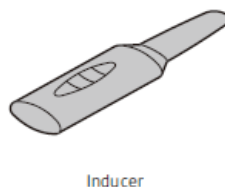
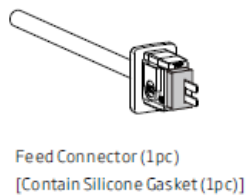
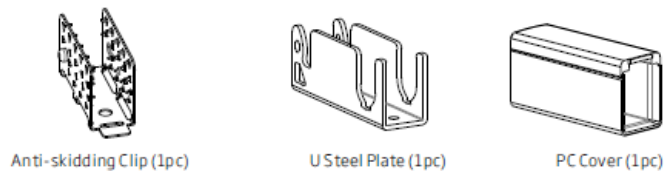
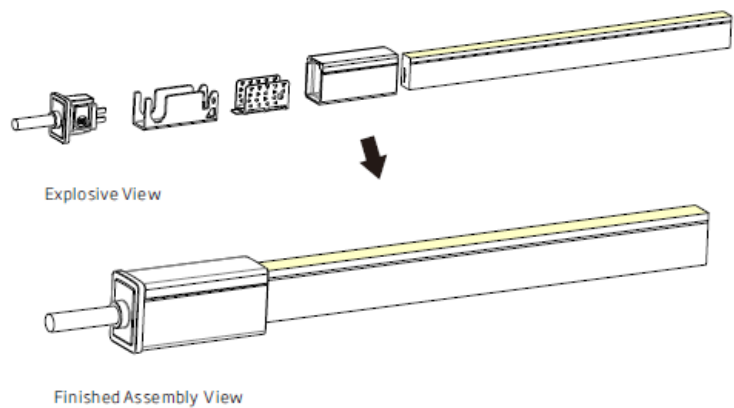
Please ignore these steps if the front connector has been assembled before delivery.

Note:

1. Never wet the assembly units or assemble with wet hands.
2. Please use the tools correctly.
3. Please pay attention to personal security when using tools.

1. Components of Front Connector

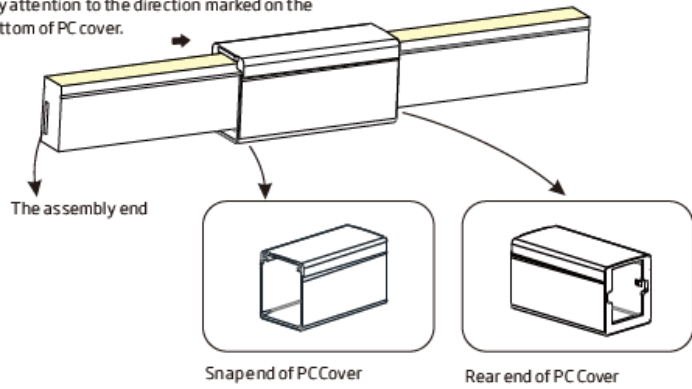
2. Tools



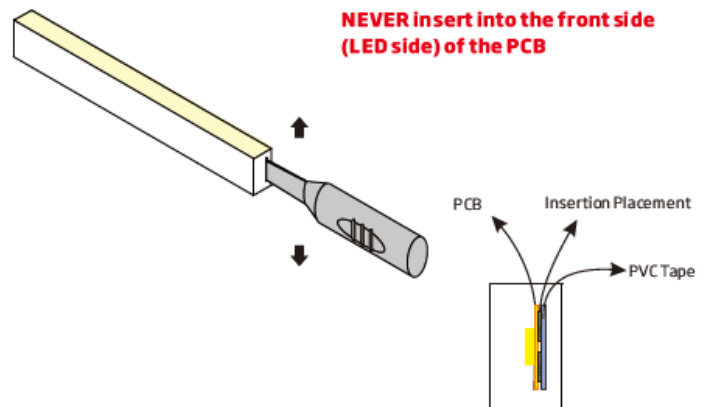
3. Installation Steps

3.1 Placing PC Cover

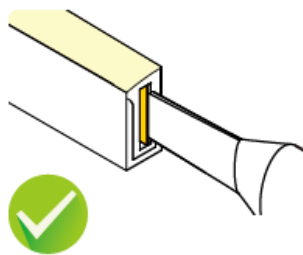
Pay attention to the direction marked on the bottom of PC cover.



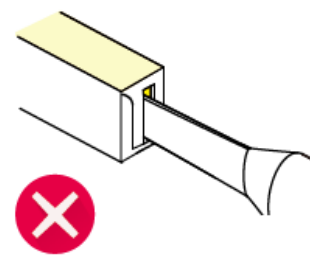
3.1 Inducing a Cavity for Feed Connector



Insert the inducer to the backside of PCB around 10~12mm, move the inducer up and down 3~5 times gently to create a small cavity.

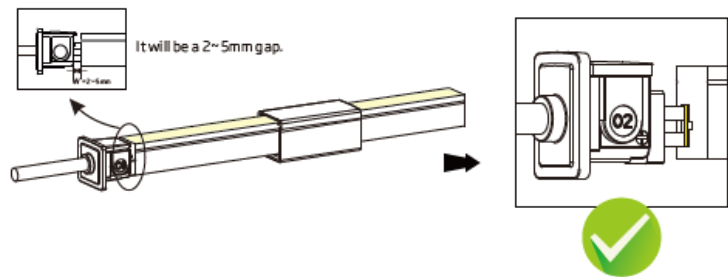


Insert the inducer into the backside of PCB

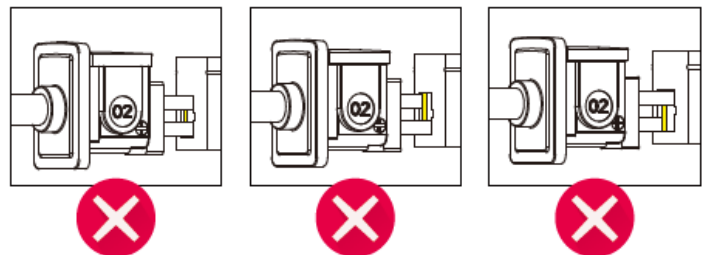


It will damage the light if insert into front side of PCB

3.3 Inserting the Feed Connector



The following operations are prohibited:



Insert into the front side of the PCB

Insert crosswise into the PCB

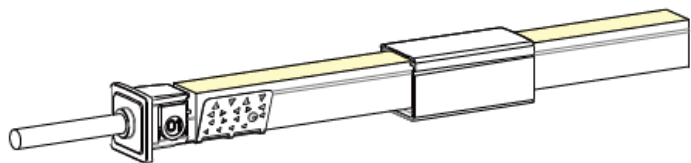
Insert crosswise into the PCB

3.4 Treatment of Anti-skidding Clip

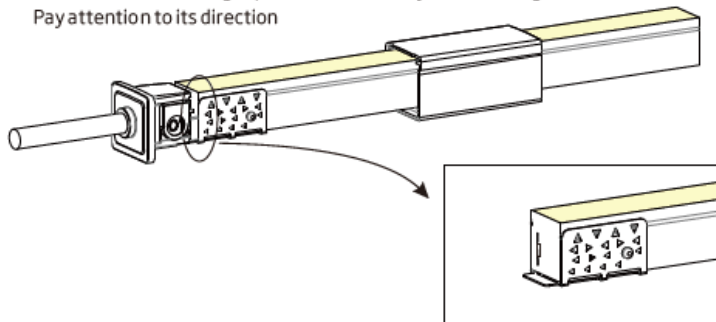


Unfold the anti-skidding clip about 20 degrees on both sides.

3.5 Installation of Anti-Skidding Clip

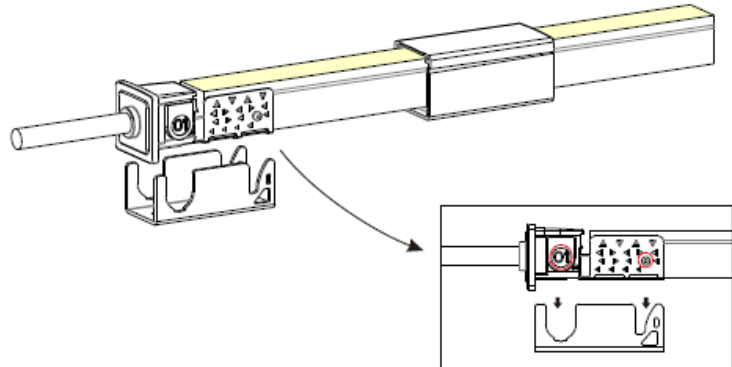


Place the anti-skidding clip onto the assembly end of the light.
Pay attention to its direction

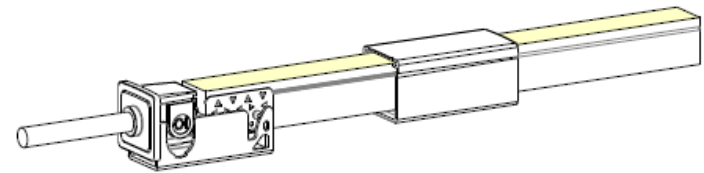


Fit the anti-skidding clip to the end of the light so that it wraps tightly and its brim is aligned with the cut edge on both sides.

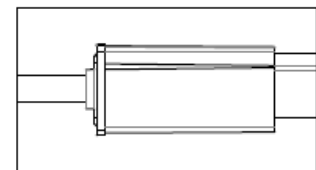
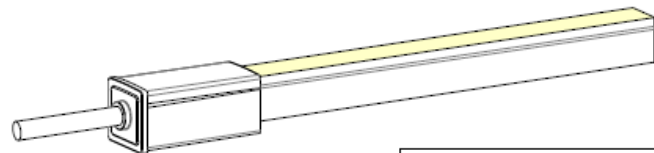
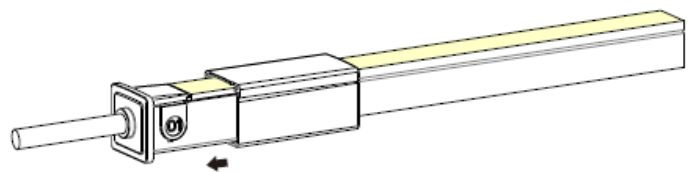
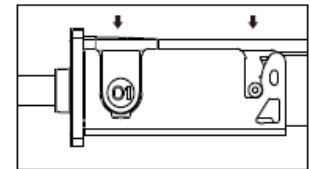
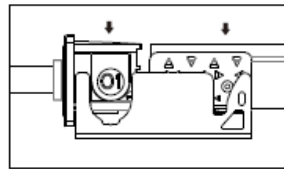
3.6 Installation of U Steel Plate and PC Cover



Align the feed connector and anti-skidding clip with the U steel plate.



Press the feed connector and light downwards at the same time till bottom.

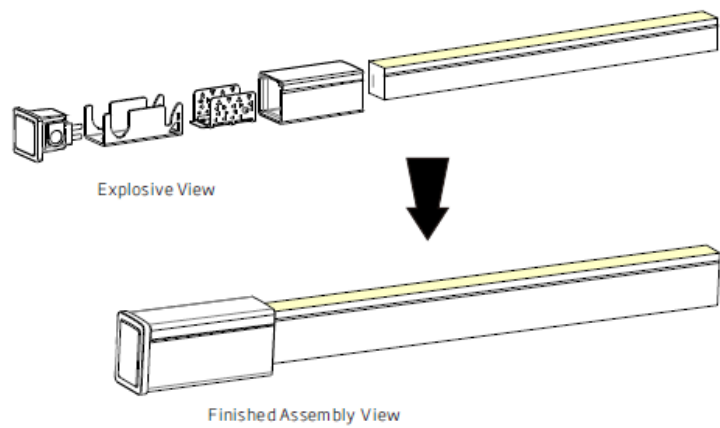


Slide back the PC cover till it snaps in the feed connector.

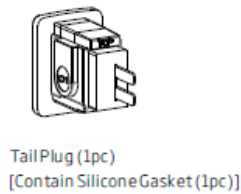
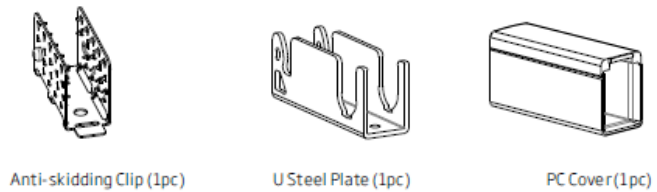
Please energize the light to check its functionality and do waterproof reliability testing (refer to "waterproof reliability testing instruction" video) after connector assembly.

Outdoor End Cap

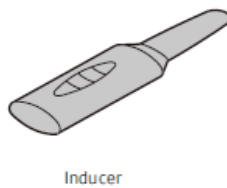
Please ignore these steps if the End Cap has been assembled before delivery.



1. Components of End Cap



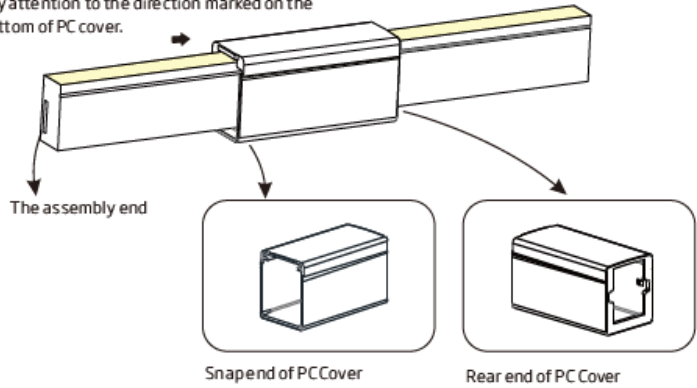
2. Tools



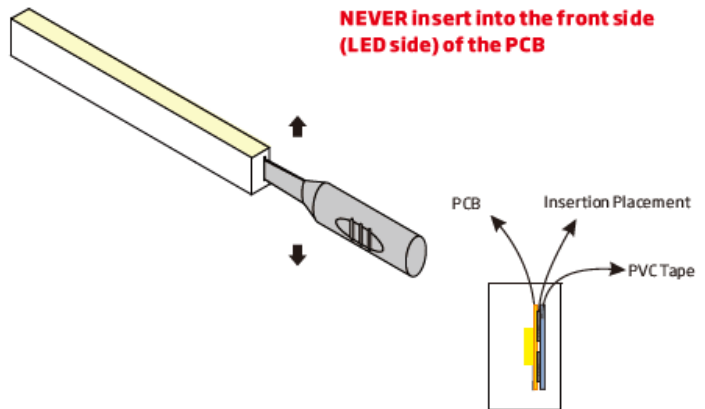
3. Installation Steps

3.1 Placing PC Cover

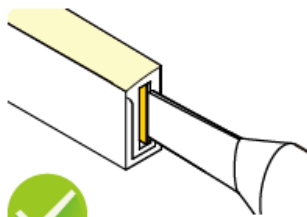
Pay attention to the direction marked on the bottom of PC cover.



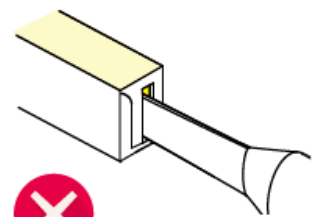
3.2 Inducing a Cavity for Tail Plug



Insert the inducer to the backside of PCB around 10~12mm, move the inducer up and down 3~5 times gently to create a small cavity.

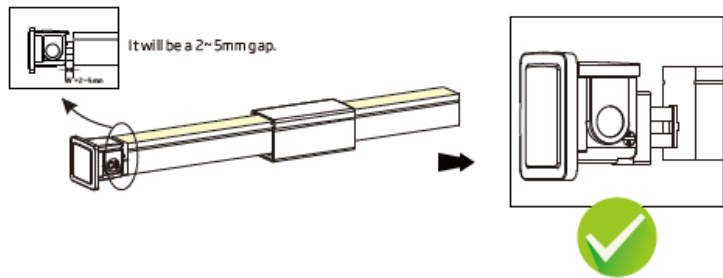


Insert the inducer into the backside of PCB

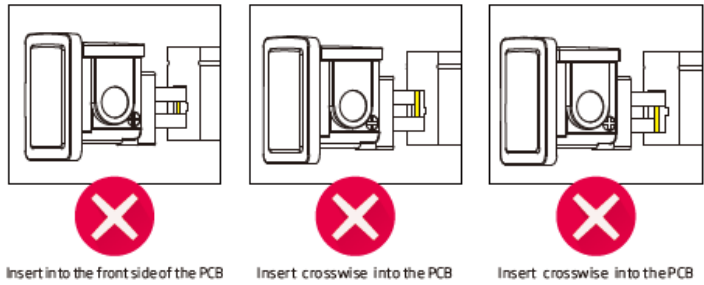


It will damage the light if insert into front side of PCB

3.3 Inserting the Feed Connector



The following operations are prohibited:

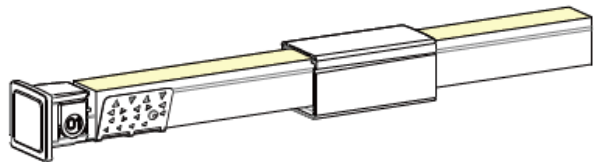


3.4 Treatment of Anti-skidding Clip

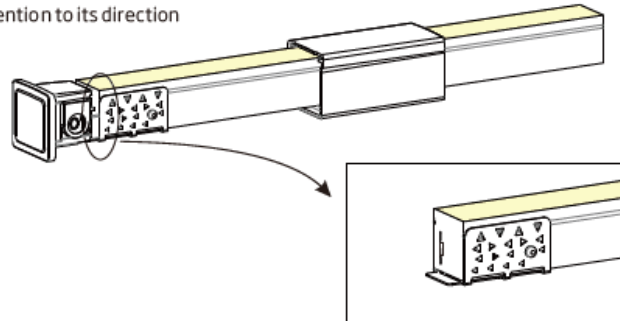


Unfold the anti-skidding clip about 20 degrees on both sides.

3.5 Installation of Anti-Skidding Clip

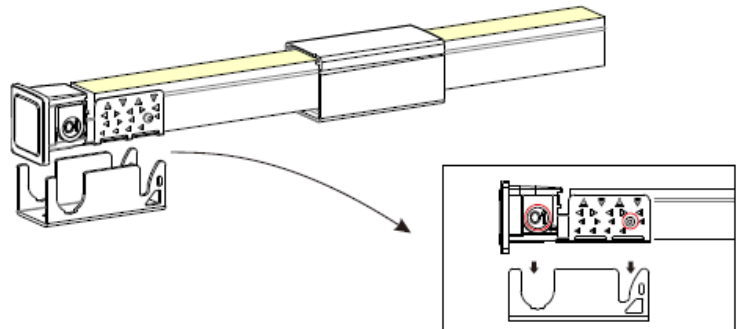


Place the anti-skidding clip onto the assembly end of the light.
Pay attention to its direction

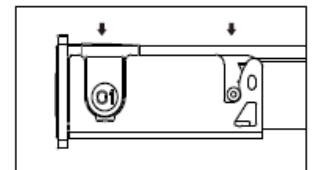
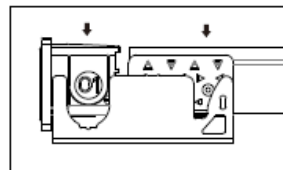
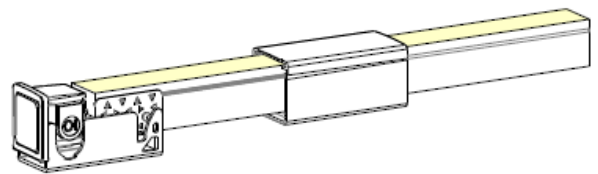


Fit the anti-skidding clip to the end of so that it wraps tightly and its brim is aligned with the cut edge on both sides.

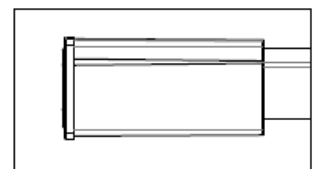
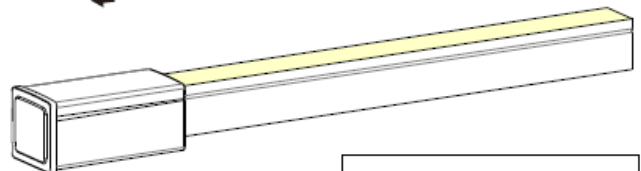
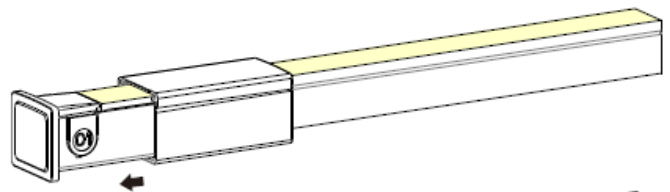
3.6 Installation of U Steel Plate and PC Cover



Align the tail plug and anti-skidding clip with the U steel plate.



Press the tail plug and light downwards at the same time till bottom.



Slide back the PC cover till it snaps in the tail plug.

Please energize the light to check its functionality and do waterproof reliability testing (refer to "waterproof reliability testing instruction" video) after connector assembly.