

ValkField - Double Row

Installation manual

Use in combination with the installation manual of the ValkPVplanner



Van der Valk Solar Systems
Solar Mounting Systems

VAN DER VALK



Please note

- This manual is not project specific.
- This manual is not legally binding.
- No right may be derived from this installation manual.
- Use this manual in combination with the ValkPVplanner Project Report.
- Check 'Datasheet Cable management' for cable suggestions.
- Different types of foundation available.
- Check foundation drawing

Table of contents

Disclaimer	Page -
Necessary tools for ValkField - Double Row	Page 01
Mounting of the U-profile	Page 02
Subassembly A	Page 03
Mounting subassembly A	Page 04
Mounting profiles	Page 05
Mounting supports	Page 06
Mounting of the end caps	Page 07
Mounting panel clamps	Page 08
Mounting of the end caps	Page 09

Table of contents

ValkField - Double Row

Van der Valk Solar Systems
Solar Mounting Systems

VAN DER VALK



Disclaimer

This installation manual must be seen in addition to the project report which shows you specific information about your project like a project drawing and ballast plan for flat roofs.

The project report is a result of the calculation tool, the ValkPVplanner. This online calculation tool and/or the project reports derived from this tool were composed with the greatest possible care. Nonetheless, it is possible that some information might not be entirely correct as the results for each project report can be based on default values, which values always need to be checked by you. The instructions provided in this project report must be observed at all times. All applicable standards and appendixes have been integrated in this online calculation tool.

All current structural, safety and building regulations must be observed. Solar mounting systems installed on roofs will be exposed to wind and snow. The building in question will be subject to a load as a result of the PV system. A design calculation must be used to establish whether or not the building will be able to withstand the extra load. Where necessary, modifications need to be made.

Flat roof systems should either be attached to the roof or need to be supported by ballast, to make sure that the system is unable to be lifted or tipped over. The ballast specified in the ValkPVplanner project report will be vital to ensure that the mounting system can be used. Flat roofs with an angle above 5 degrees must be attached to the roof.

The calculations in the online calculation tool do not take into account obstacles in the near surrounding like high buildings, cliffs and mountains. Restrictions also apply for the position of the system on a roof. The solar panels must be installed at a certain distance from edge of the roof as shown in this project report and the installation manual.

The standard warranty for pitched roof, flat roof and ground mount systems is 10 years, which can be extended under certain conditions. The guarantee provided is subject to the guarantee conditions stated in the general terms and conditions stipulated by Van der Valk Solar Systems B.V. Our terms and conditions shall apply to all our products and can be found on our website: www.valksolarsystems.nl.

Van der Valk Solar Systems B.V. does not accept any liability for any direct and/or indirect consequences of any act (or omission) ensuing from the information in or the failure to observe the instruction provided in the project report and the installation manual and for possible incorrect results resulting from the use of this online calculation tool which was made available to you.

The mounting system is a product that has been produced by:
Van der Valk Solar Systems B.V.,
Registered with the chamber of commerce for
Haaglanden under number 27355116.
Internet: www.valksolarsystems.nl

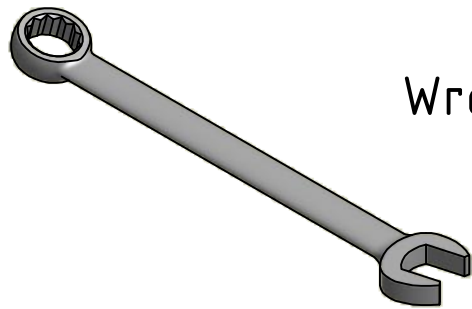
Issue date: September 2018
Version: General user instructions V1 EN

Van der Valk Solar Systems
Solar Mounting Systems





Necessary Tools For ValkField - Double Row



Wrench 10, 13 and 17

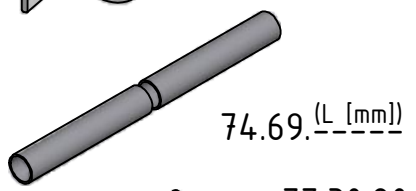
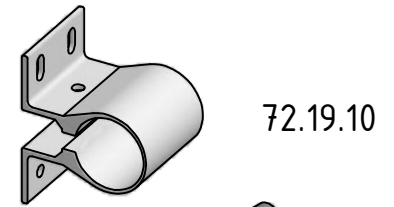
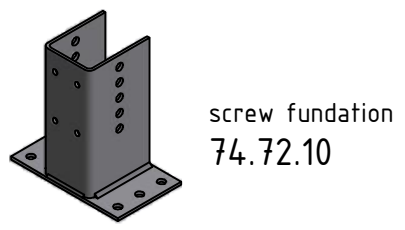






Socket 10, 13 and 17

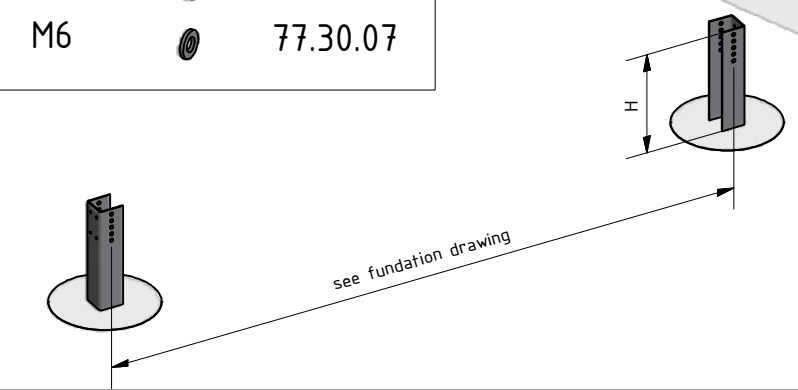
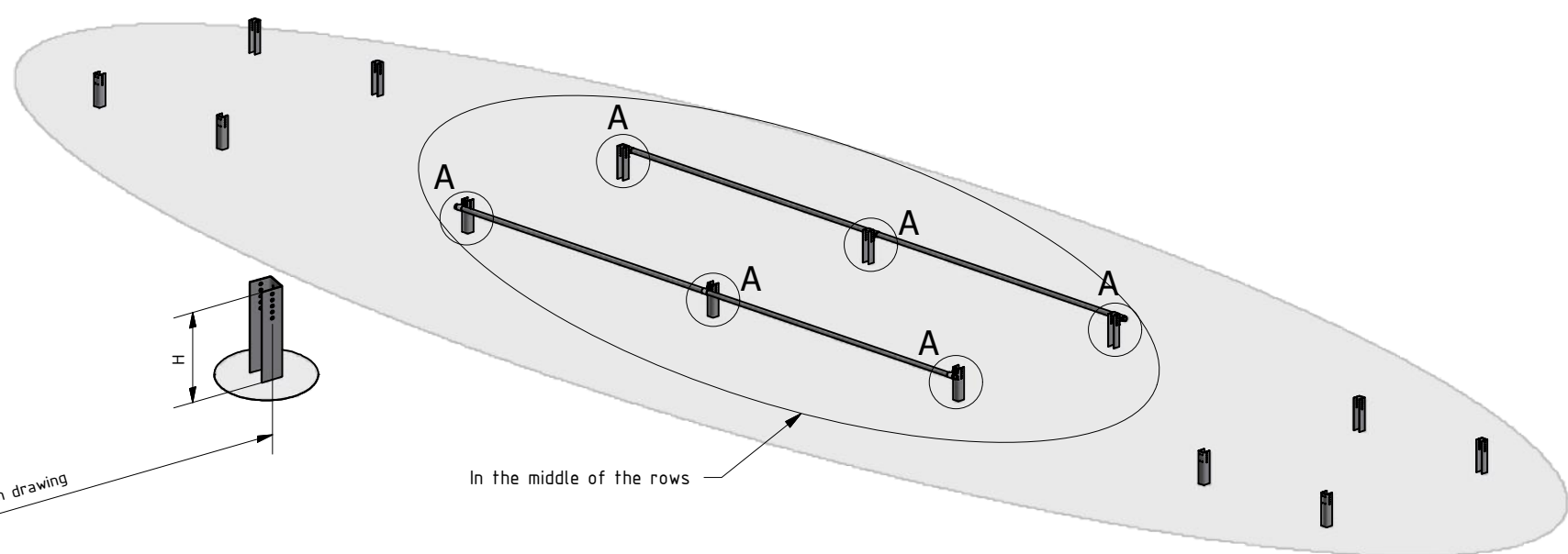
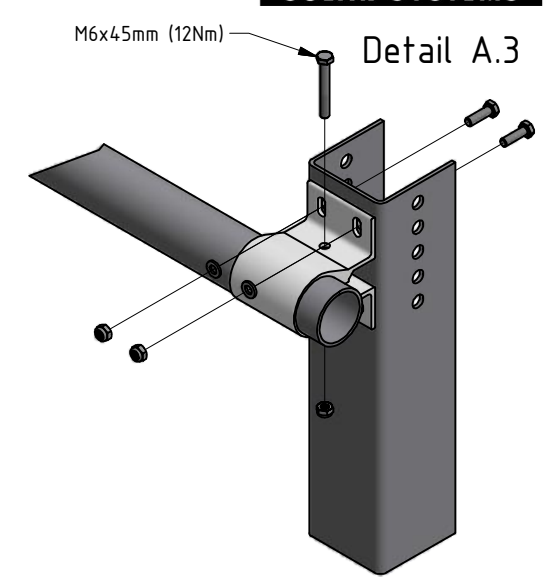
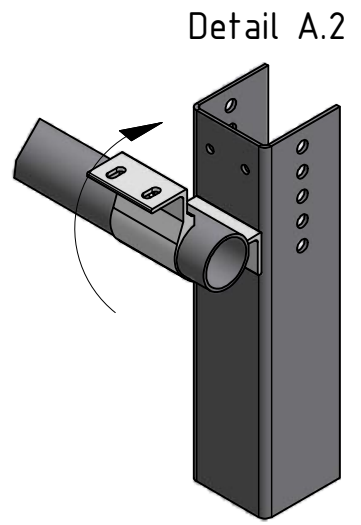
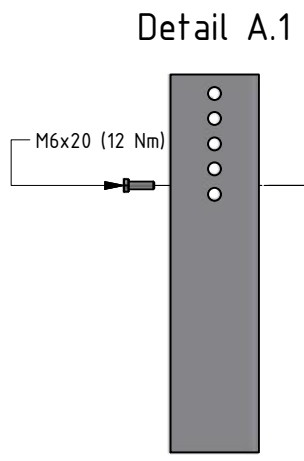


Cordless drill
(for socket 10, 13 and 17)

Mounting of the U-profile



- M6x20  77.30.20
- M6x45  77.30.45
- M6  77.30.05
- M6  77.30.07

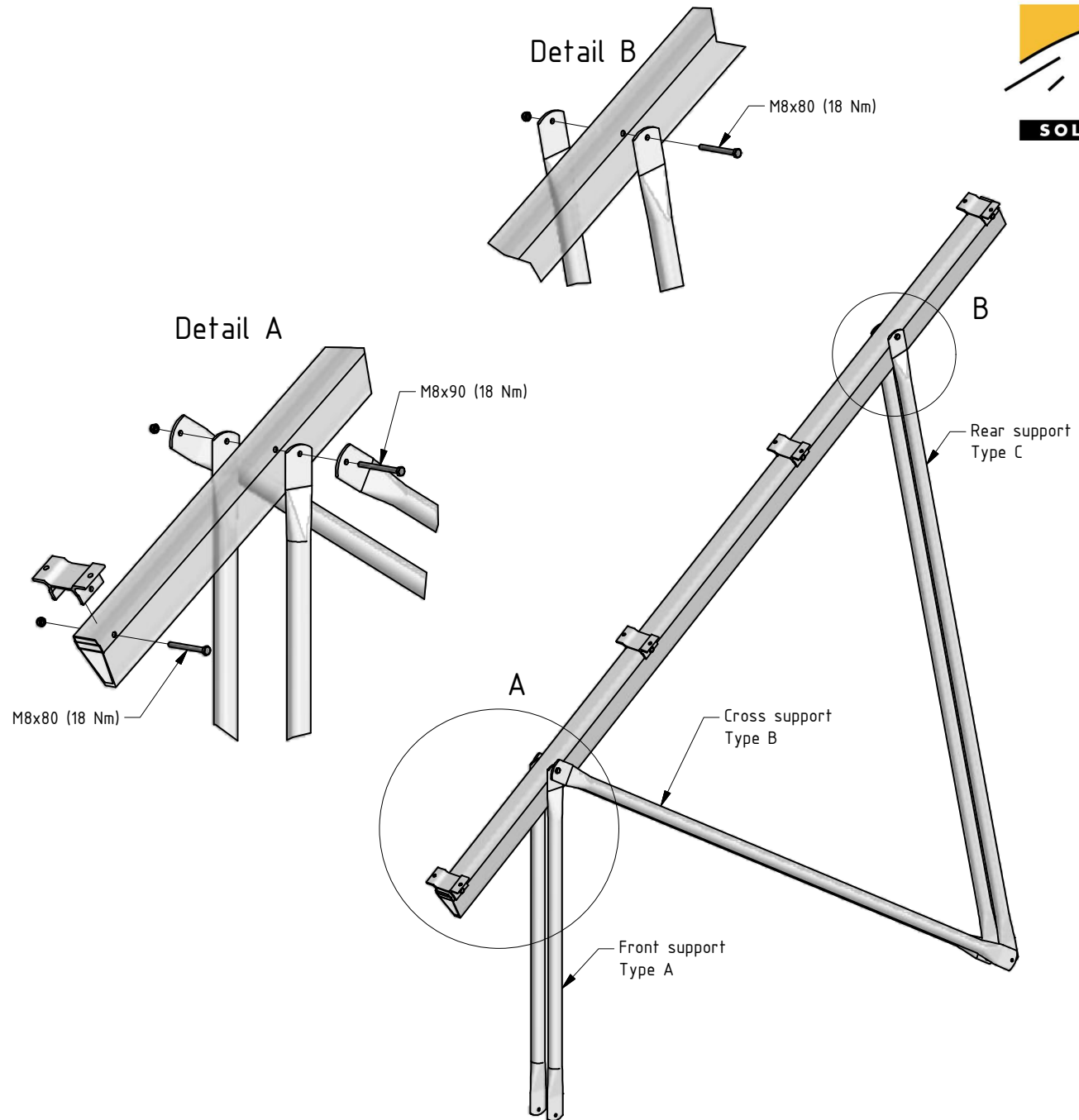
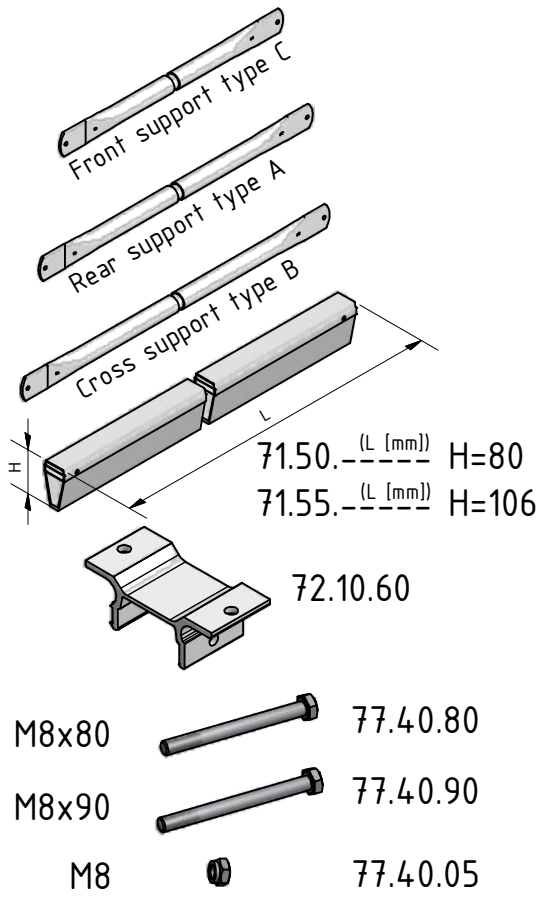


Subassembly A

VAN DER VALK



SOLAR SYSTEMS





Mounting subassembly A

Subassembly A

		72.18.60
M8x80		77.40.80
M8x90		77.40.90
M8x100		77.41.00
M8		77.40.05

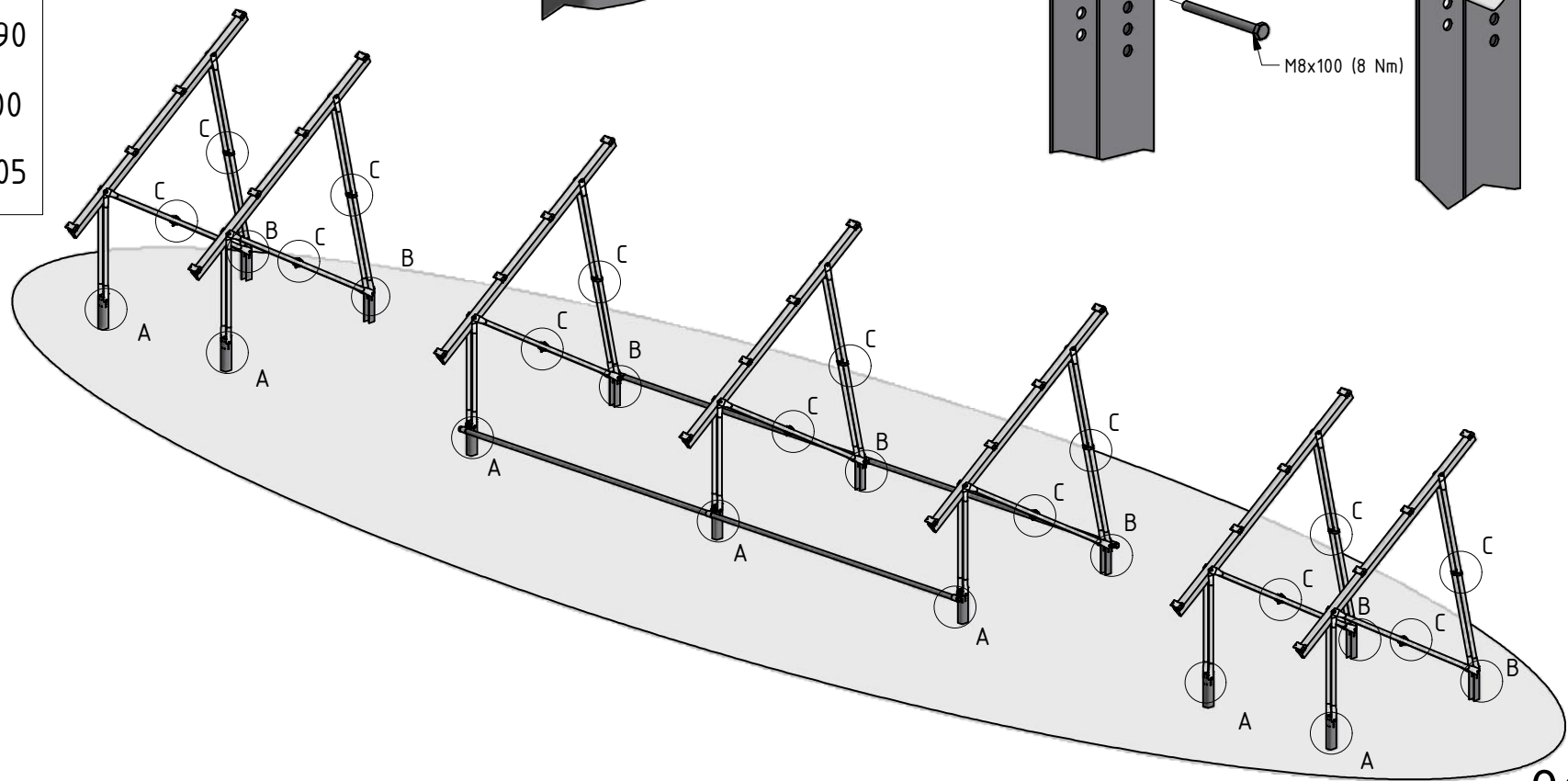
Detail A

Extra holes for perfect leveling of the installation

M8x90 (8 Nm)

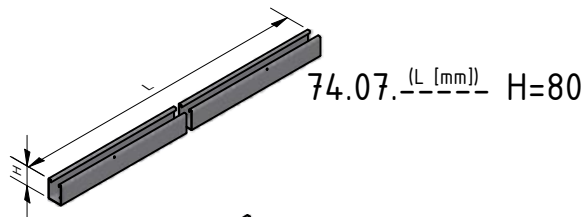
Detail B

M8x100 (8 Nm)

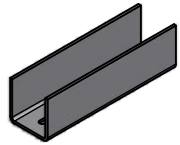


C

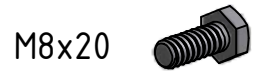
M8x80 (12 Nm)



74.07.-(L (mm)) H=80



74.90.10



M8x20

77.40.20



M8

77.40.07

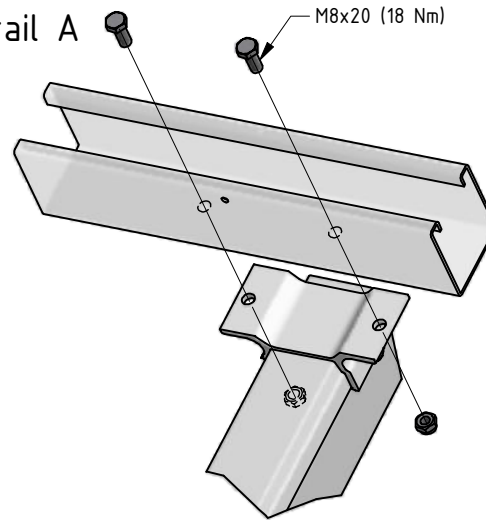


M8

77.40.05

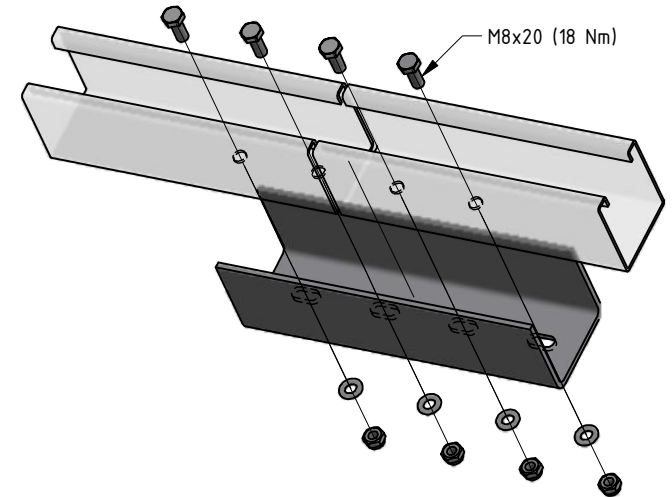
Mounting profiles

Detail A

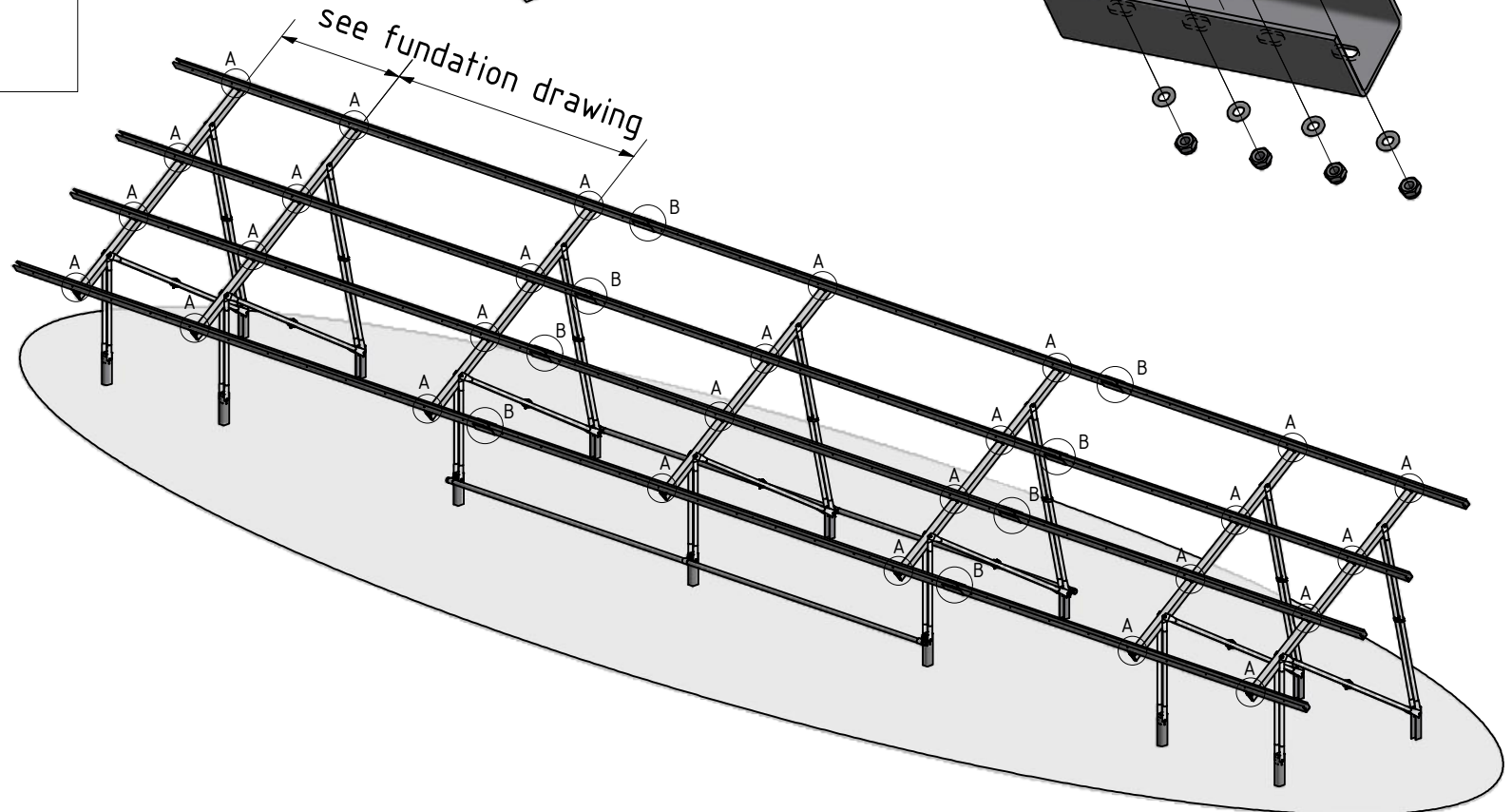


M8x20 (18 Nm)

Detail B



M8x20 (18 Nm)

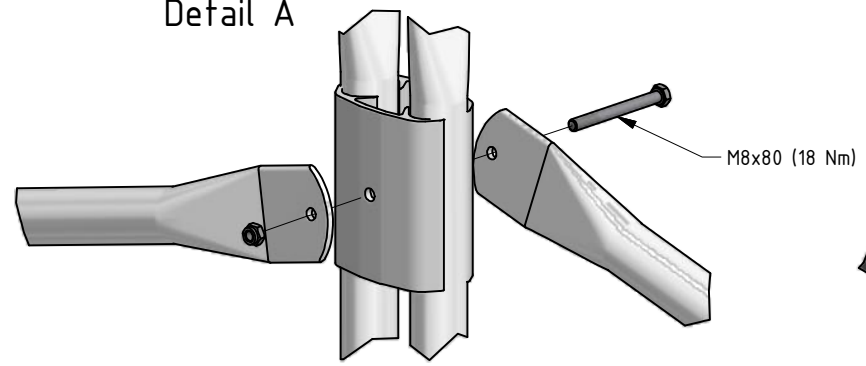


see foundation drawing

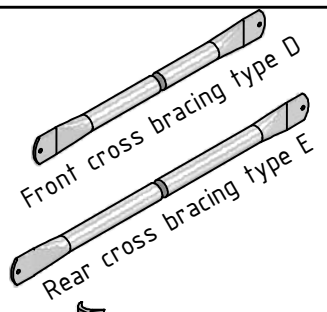
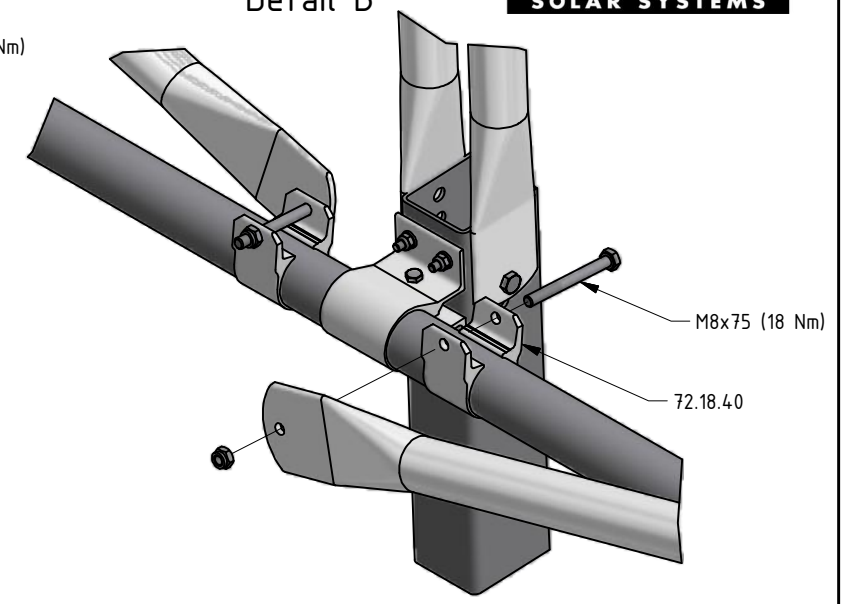


Mounting supports

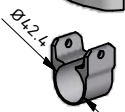
Detail A



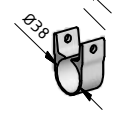
Detail B



72.18.80

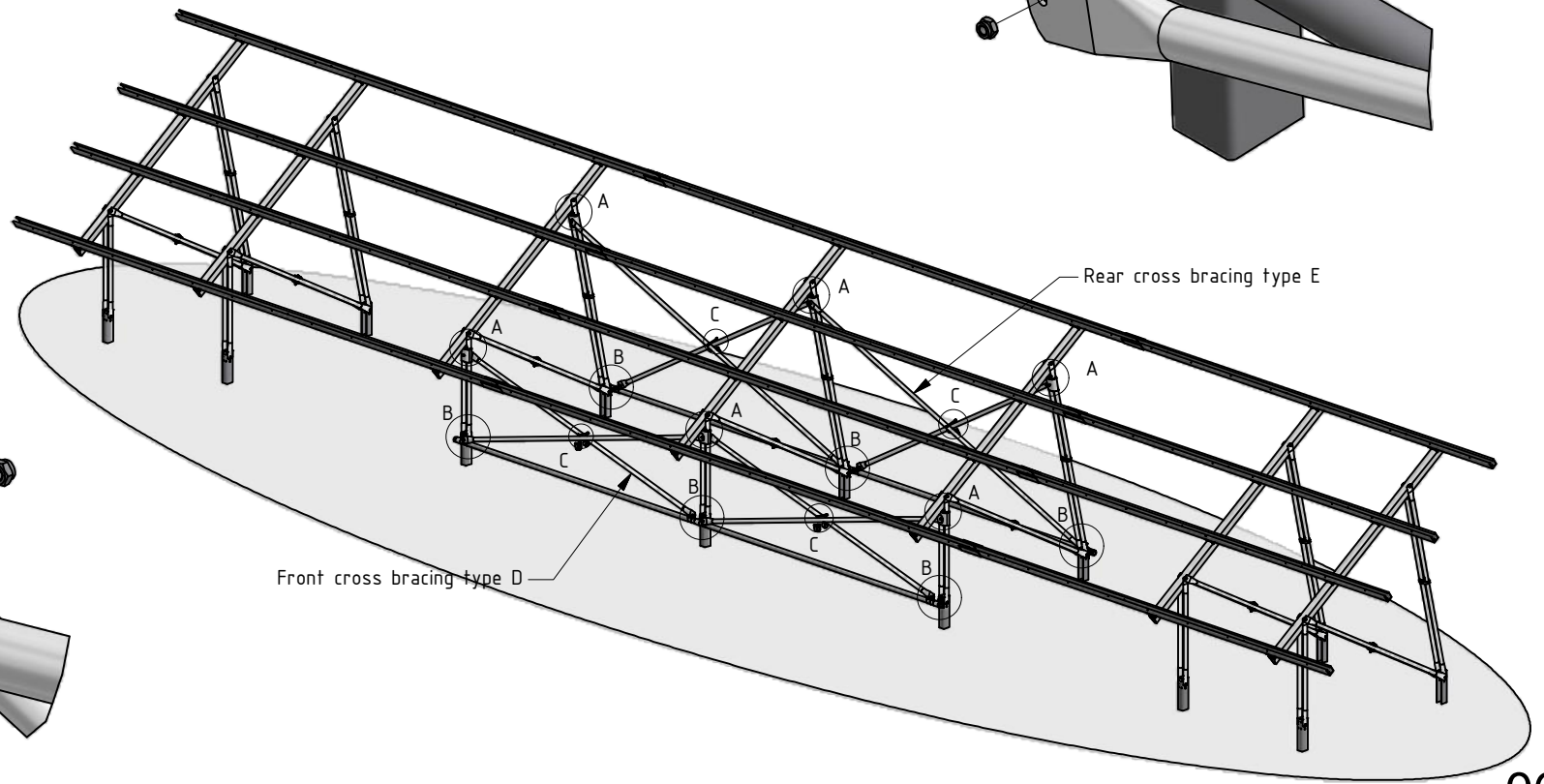


72.18.40

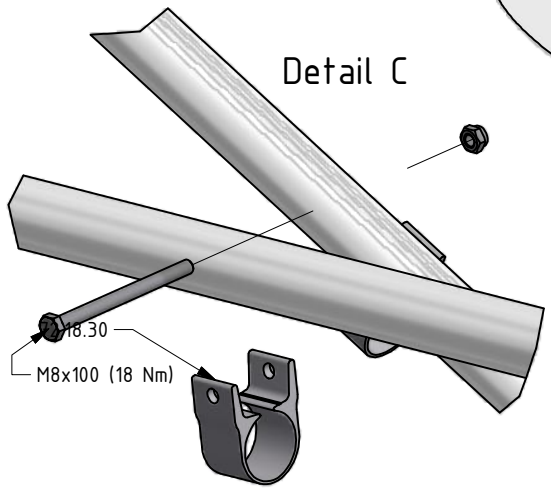


72.18.30

- M8x100 77.41.00
- M8x80 77.40.80
- M8x75 77.40.75
- M8 77.40.05

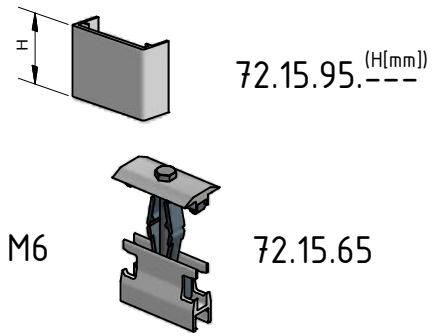


Detail C



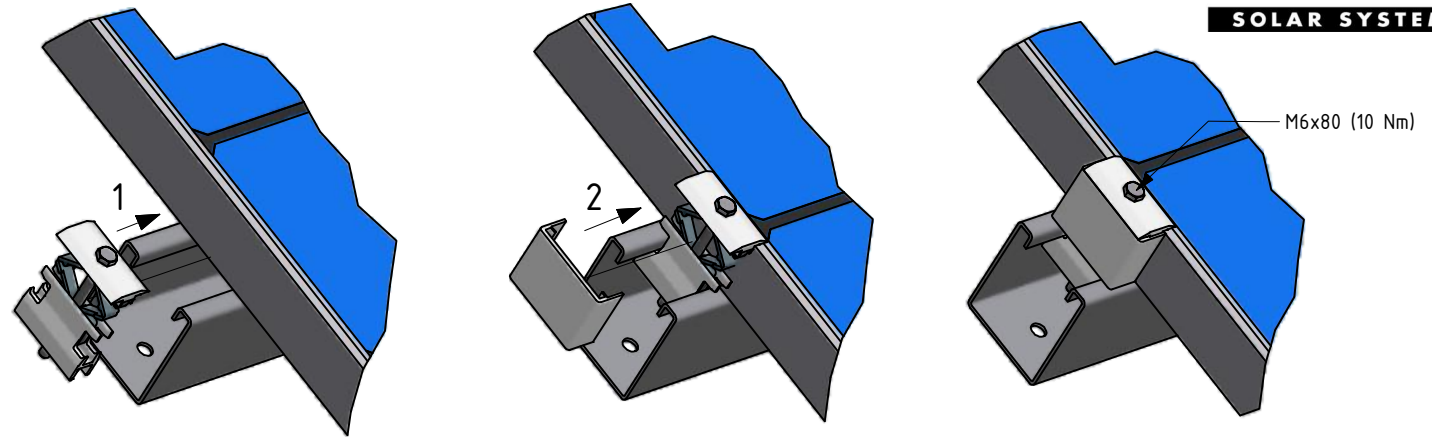


Mounting of the end caps

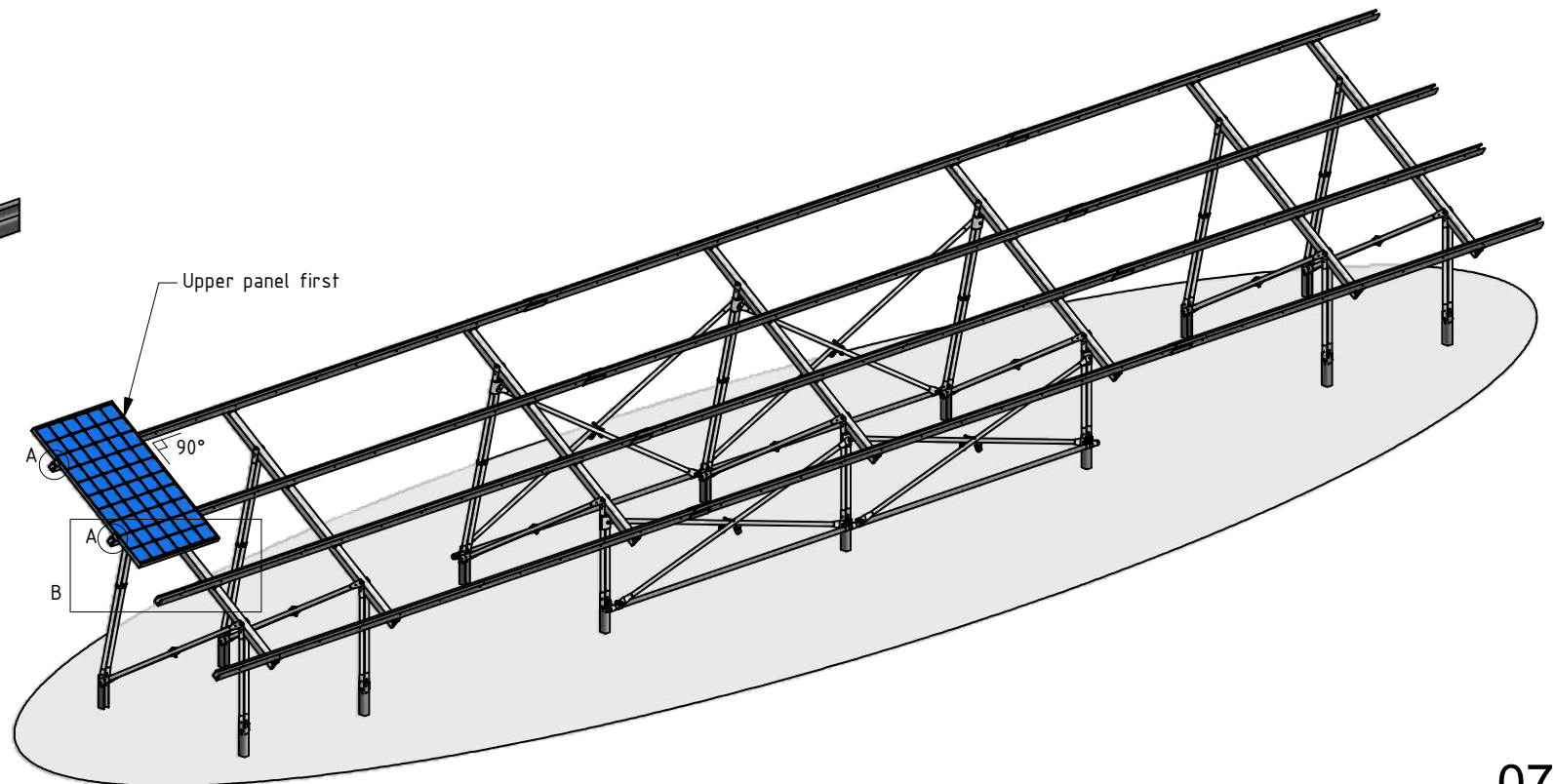
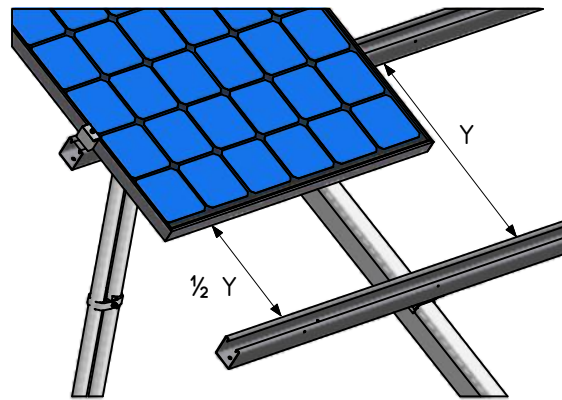


Detail A

Detail A



Detail B



M6



72.15.65

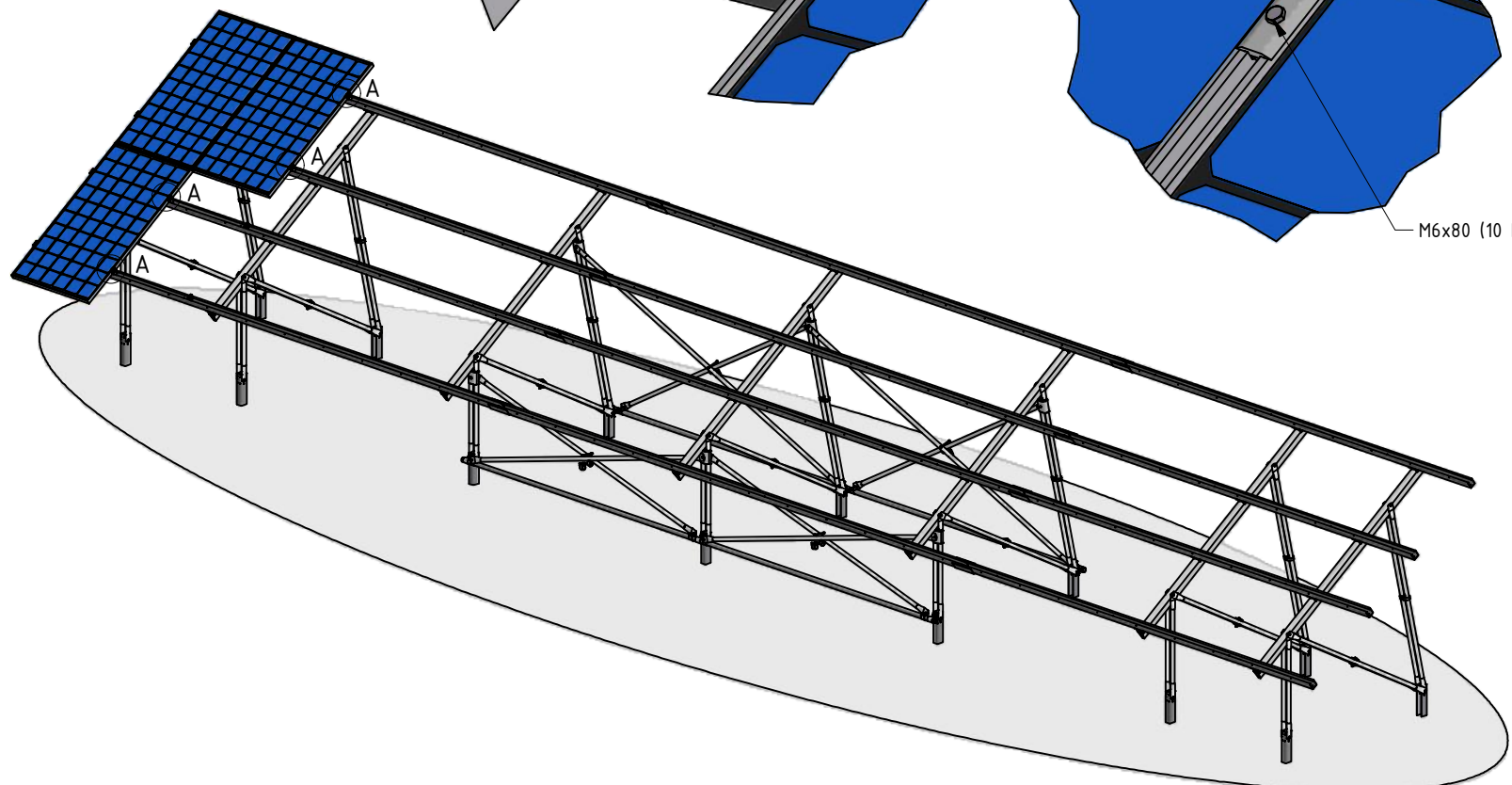
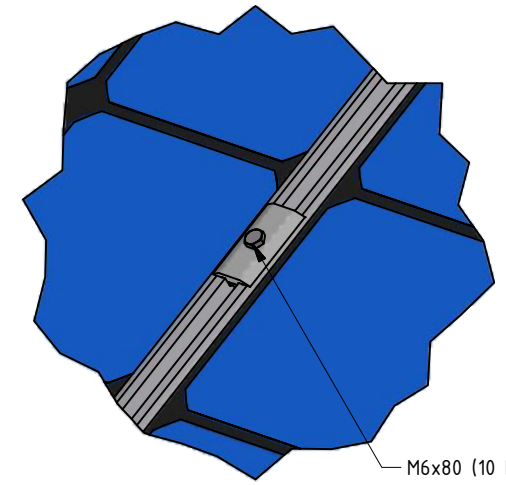
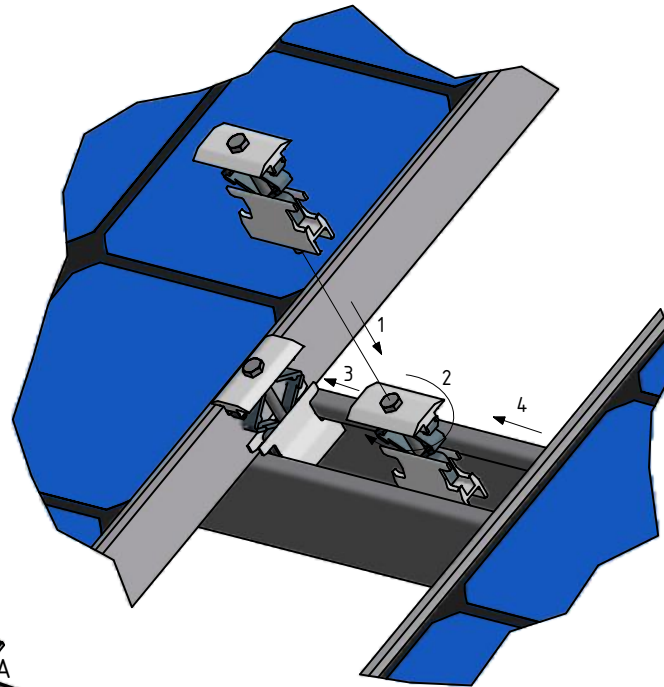
Mounting panel clamps

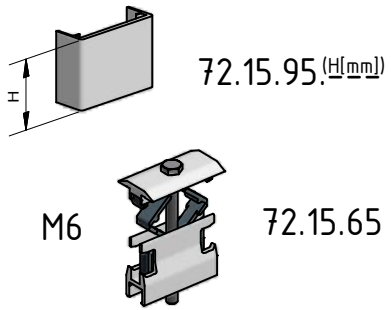
VAN DER VALK



SOLAR SYSTEMS

Detail A





Mounting of the end caps

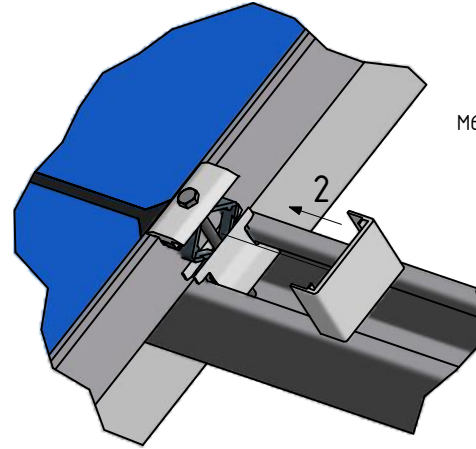
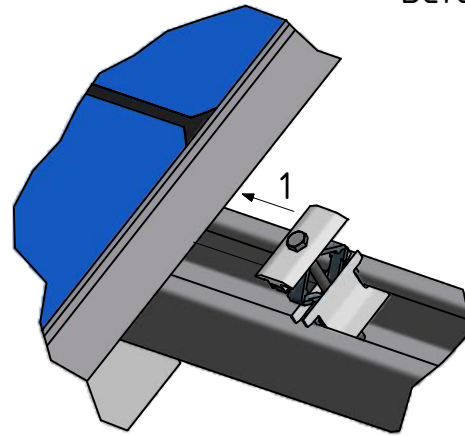
VAN DER VALK



SOLAR SYSTEMS

Detail A

Detail A



M6x80 (10 Nm)

