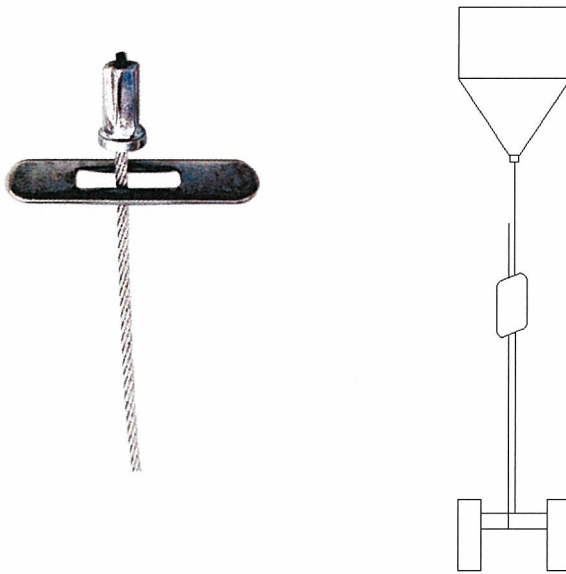


Project: Gripple Hangers
Client: Gripple Ltd
Client's Order No: 3061
Inspection Date:
First: 25/03/2009

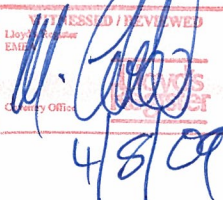
Certificate No: COV 0919097
Office: Sheffield
Date: 20/02/2009
Order Status: Complete
Final: 25/03/2009

This certificate is issued to Gripple Ltd to certify that the undersigned surveyor did, at their request attend their premises at The Old West Gun Works, Sheffield on and between the above dates for the purpose of examining and witnessing tests on the items listed below. All tests produced satisfactory results.

TEST CONFIGURATION



M Cobb
 Surveyor of Lloyd's Register

APPROVED / REVIEWED
 Lloyd's Register
 EAM

 4/8/09
 Country Office

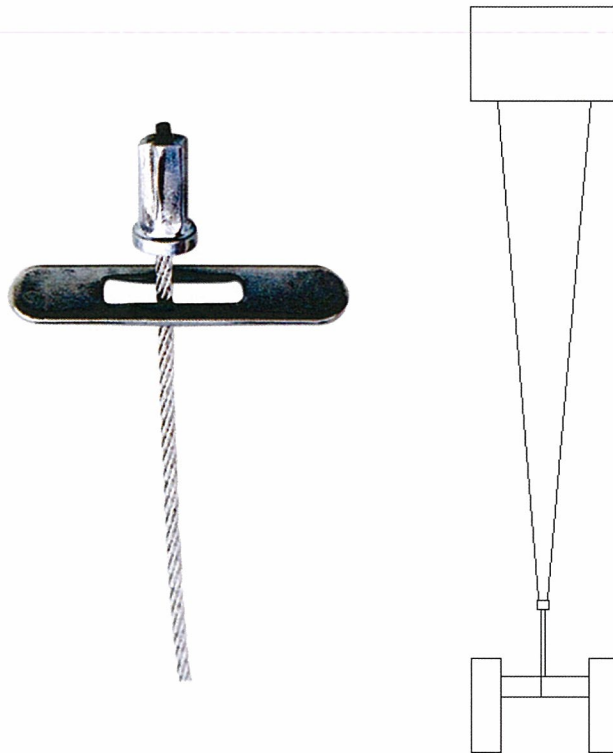
Gripple Model	Rope Construction	Gripple Rated Load	Gripple Load Limit 5:1	Result		
No 1 Y Fit Accessory Toggle	7 x 7 (6/1)	0-10 kg 0-22 lbs	50 kg 100 lbs	233.0 kg 512.5 lbs	233.9 kg 514.5 lbs	233.6 kg 513.9 lbs
No 3 Y Fit Accessory Toggle	7 x 7 (6/1)	45-90 kg 100-198 lb	450 kg 990 lbs	1306.8 kg 2875.0 lbs	1204.4 kg 2649.8 lbs	1282.6 kg 2821.6 lbs

Project: GripplE Hangers
Client: GripplE Ltd
Client's Order No: 8624
Inspection Date:
First: 19/12/2007

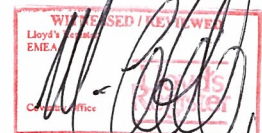
Certificate No: COV 0719796
Office: Sheffield
Date: 21/01/2008
Order Status: Complete
Final: 21/01/2008

This certificate is issued to GripplE Ltd to certify that the undersigned surveyor did, at their request attend their premises at The Old West Gun Works, Sheffield on and between the above dates for the purpose of examining and witnessing tests on the items listed below. All tests produced satisfactory results.

TEST CONFIGURATION



M Cobb
 Surveyor of Lloyd's Register



26/1/09

GripplE Model	Rope Construction	GripplE Rated Load	GripplE Load Limit 5:1	Result		
				kg	lbs	kg
No.2 Y-Fit Accessory Toggle	7x7 (6/1)	10 – 45 kg 22 – 100 lbs	225kg 500 lbs	679.3 kg 1494.5 lbs	692.6 kg 1523.7 lbs	655.2 kg 1441.4 lbs