



Product designation

Accessories for
level control
relays and
probes
31RE014

Product type designation

Connections

Conductor cross section

AWG/Kcmil

Max AWG 2 x 14

IEC

Max mm² 2 x 2.5

Housing

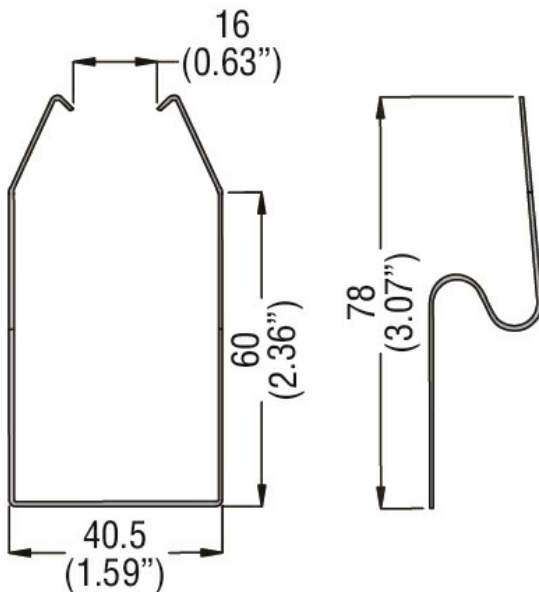
Dimensions (W x H x D)

mm 40.5 x 78 x 40.5

Weight

g 1

Dimensions



Certifications and compliance

Compliance

/

Certificates

EAC

ETIM classification

ETIM 8.0

EC002498 -
Accessories/spare
parts for low-
voltage switch
technology