



Product designation

Direct-on-line
starter

Product type designation

M1P00912...A6

Electrical features

Relay adj range A 1.6-2.5

IEC technical characteristics ($\leq 440V$)

I _e	A	2.5
kW	kW	0.75

Components

Starter enclosure standard supplied M1PA

Contactor standard supplied BF0910A

Thermal relay standard supplied RF380250

UL technical data

Maximum UL/CSA horsepower ratings three-phase, 3-pole

200V-208V	HP	0.5
220V-240V	HP	0.5
440V-480V	HP	1
550V-600V	HP	1.5

Mechanical features

Weight g 1040

Ambient conditions

Operating temperature

min	°C	-25
max	°C	+60

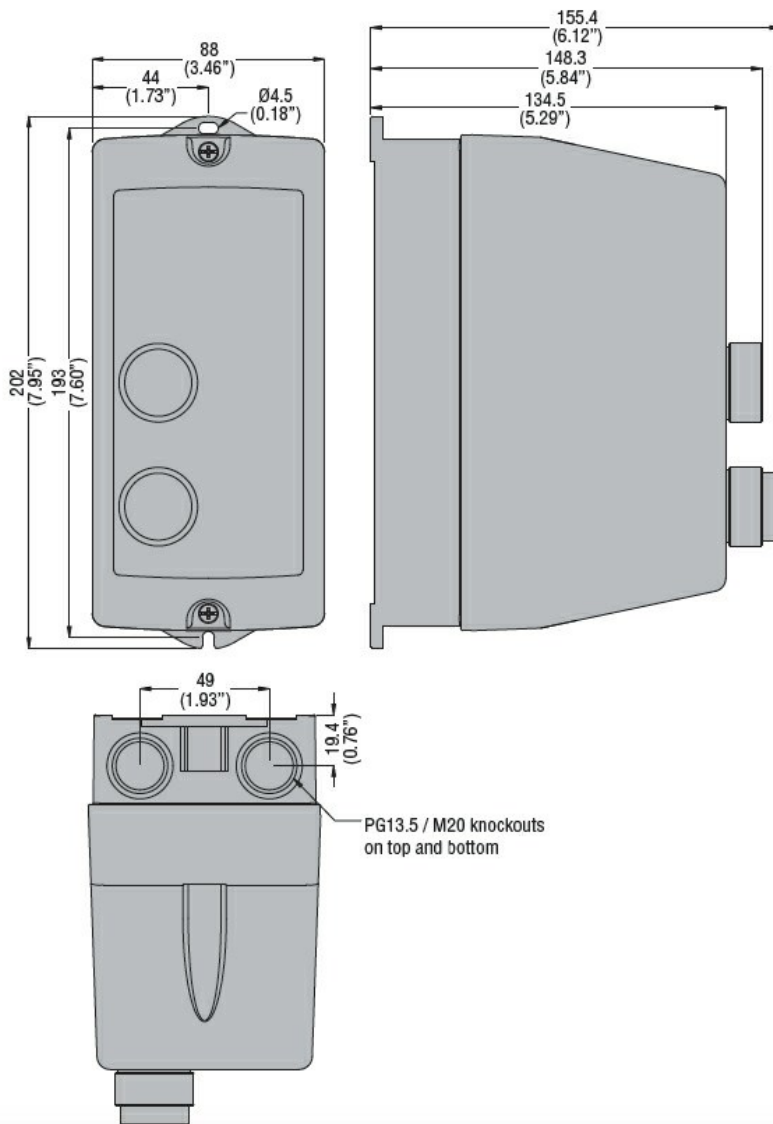
Storage temperature

min	°C	-40
max	°C	+70

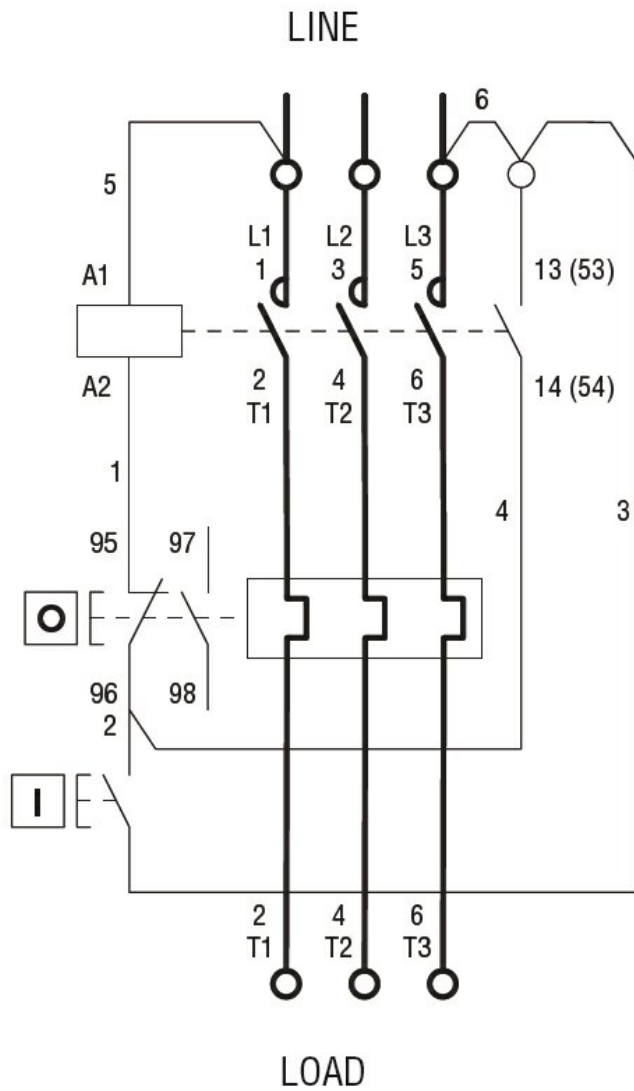
Resistance & Protection

Frontal IP degree IP65

Dimensions



Wiring diagrams



I = Start; O = Stop/Reset

Certifications and compliance

Compliance

IEC/EN 60947-1
IEC/EN 60947-4-1
UL508 CSA C22.2 n° 14

Certificates

CSAus
cULus
EAC

ETIM classification

ETIM 8.0

EC001037 -
Motor
starter/Motor
starter
combination