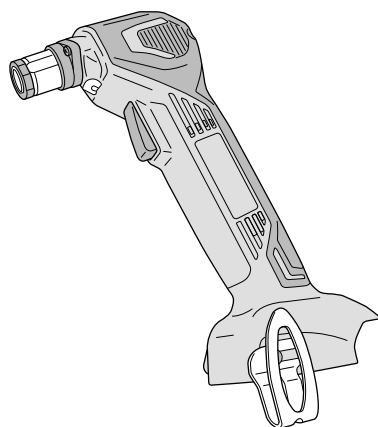


NH 18DSL



(en) Handling instructions
(de) Bedienungsanleitung
(fr) Mode d'emploi
(it) Istruzioni per l'uso
(nl) Gebruiksaanwijzing
(es) Instrucciones de manejo
(pt) Instruções de uso
(sv) Bruksanvisning
(da) Brugsanvisning
(no) Bruksanvisning
(fi) Käyttöohjeet

(el) Οδηγίες χειρισμού
(pl) Instrukcja obsługi
(hu) Kezelési utasítás
(cs) Návod k obsluze
(tr) Kullanım talimatları
(ro) Instrucțiuni de utilizare
(sl) Navodila za rokovanje
(sk) Pokyny na manipuláciu
(bg) Инструкция за експлоатация
(sr) Uputstvo za rukovanje
(hr) Upute za rukovanje

en

de

fr

it

nl

es

pt

sv

da

no

fi

el

pl

hu

cs

tr

ro

sl

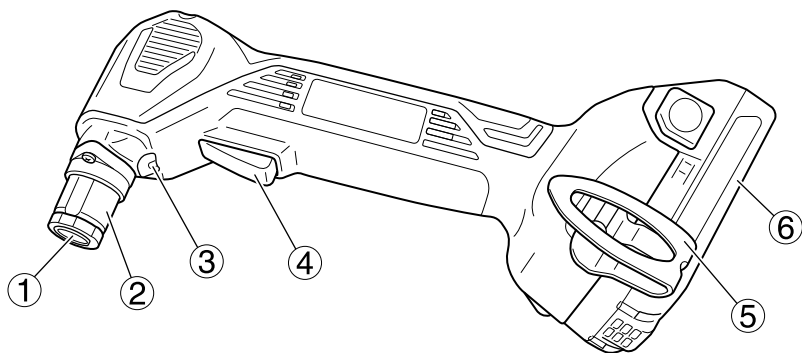
sk

bg

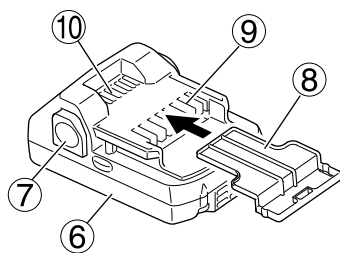
sr

hr

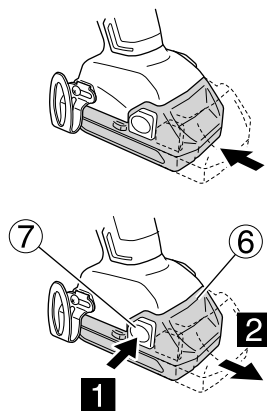
1



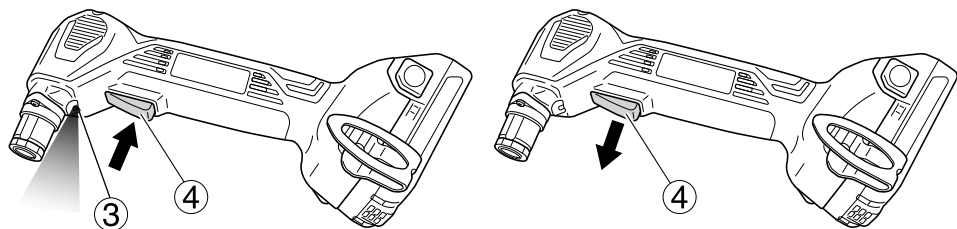
2

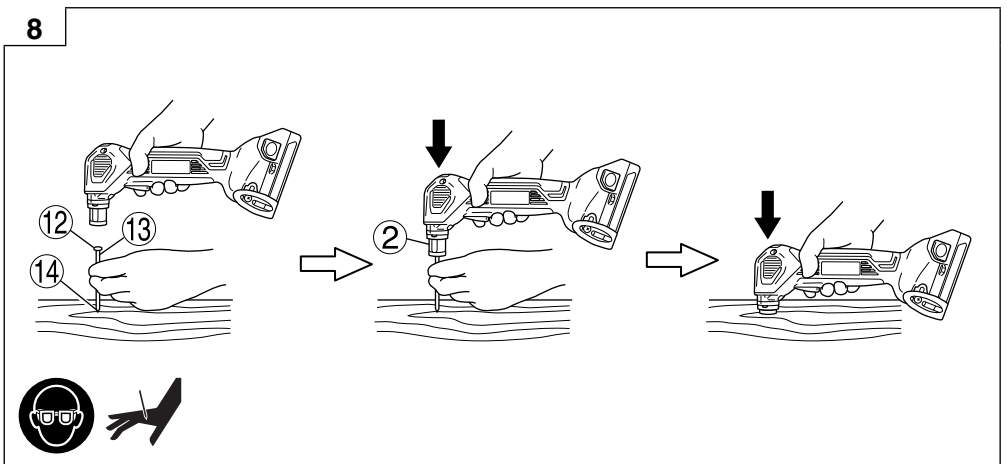
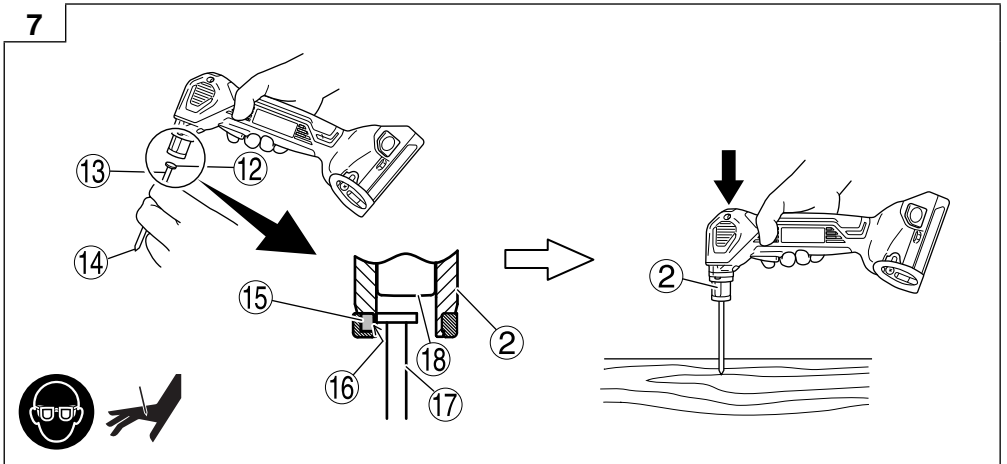
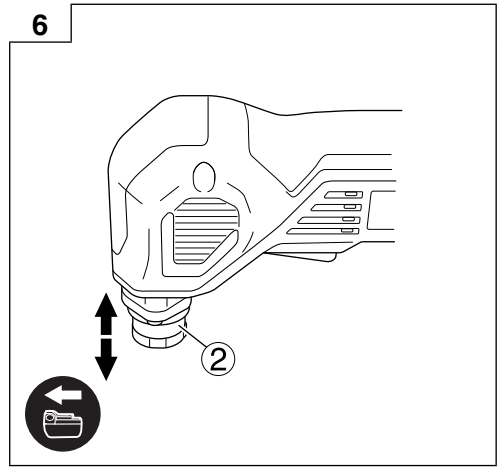
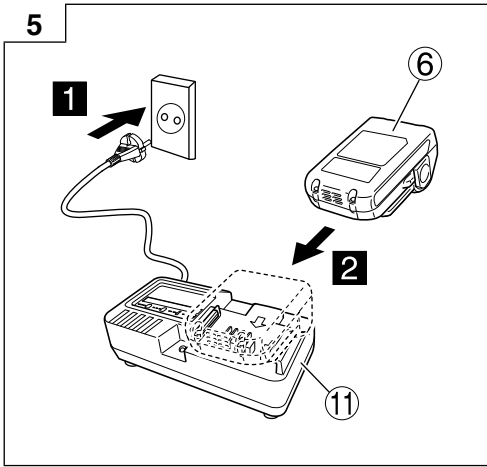


3

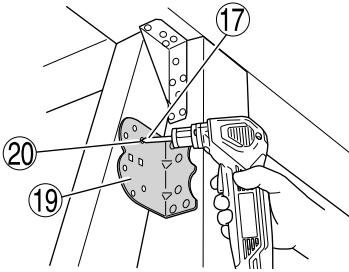


4

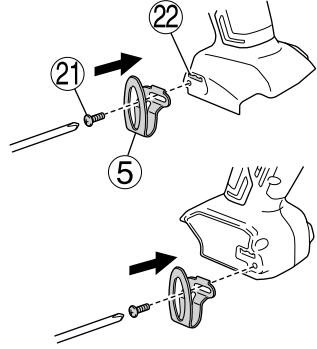




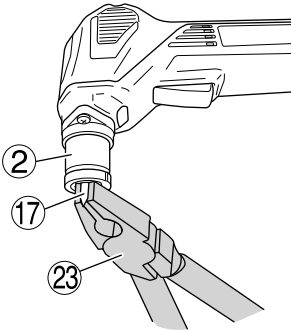
9



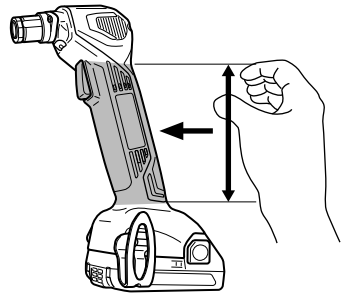
10



11



12



GENERAL POWER TOOL SAFETY WARNINGS

⚠ WARNING

Read all safety warnings, instructions, illustrations and specifications provided with this power tool.

Failure to follow all instructions listed below may result in electric shock, fire and/or serious injury.

Save all warnings and instructions for future reference.

The term "power tool" in the warnings refers to your mains-operated (corded) power tool or battery-operated (cordless) power tool.

1) Work area safety

- a) **Keep work area clean and well lit.**
Cluttered or dark areas invite accidents.
- b) **Do not operate power tools in explosive atmospheres, such as in the presence of flammable liquids, gases or dust.**
Power tools create sparks which may ignite the dust or fumes.
- c) **Keep children and bystanders away while operating a power tool.**
Distractions can cause you to lose control.

2) Electrical safety

- a) **Power tool plugs must match the outlet. Never modify the plug in any way. Do not use any adapter plugs with earthed (grounded) power tools.**
Unmodified plugs and matching outlets will reduce risk of electric shock.
- b) **Avoid body contact with earthed or grounded surfaces, such as pipes, radiators, ranges and refrigerators.**
There is an increased risk of electric shock if your body is earthed or grounded.
- c) **Do not expose power tools to rain or wet conditions.**
Water entering a power tool will increase the risk of electric shock.
- d) **Do not abuse the cord. Never use the cord for carrying, pulling or unplugging the power tool. Keep cord away from heat, oil, sharp edges or moving parts.**
Damaged or entangled cords increase the risk of electric shock.
- e) **When operating a power tool outdoors, use an extension cord suitable for outdoor use.**
Use of a cord suitable for outdoor use reduces the risk of electric shock.
- f) **If operating a power tool in a damp location is unavoidable, use a residual current device (RCD) protected supply.**
Use of an RCD reduces the risk of electric shock.

3) Personal safety

- a) **Stay alert, watch what you are doing and use common sense when operating a power tool. Do not use a power tool while you are tired or under the influence of drugs, alcohol or medication.**
A moment of inattention while operating power tools may result in serious personal injury.
- b) **Use personal protective equipment. Always wear eye protection.**
Protective equipment such as a dust mask, non-skid safety shoes, hard hat or hearing protection used for appropriate conditions will reduce personal injuries.

- c) **Prevent unintentional starting. Ensure the switch is in the off-position before connecting to power source and/or battery pack, picking up or carrying the tool.**

Carrying power tools with your finger on the switch or energising power tools that have the switch on invites accidents.

- d) **Remove any adjusting key or wrench before turning the power tool on.**

A wrench or a key left attached to a rotating part of the power tool may result in personal injury.

- e) **Do not overreach. Keep proper footing and balance at all times.**

This enables better control of the power tool in unexpected situations.

- f) **Dress properly. Do not wear loose clothing or jewellery. Keep your hair and clothing away from moving parts.**

Loose clothes, jewellery or long hair can be caught in moving parts.

- g) **If devices are provided for the connection of dust extraction and collection facilities, ensure these are connected and properly used.**

Use of dust collection can reduce dust-related hazards.

- h) **Do not let familiarity gained from frequent use of tools allow you to become complacent and ignore tool safety principles.**

A careless action can cause severe injury within a fraction of a second.

4) Power tool use and care

- a) **Do not force the power tool. Use the correct power tool for your application.**

The correct power tool will do the job better and safer at the rate for which it was designed.

- b) **Do not use the power tool if the switch does not turn it on and off.**

Any power tool that cannot be controlled with the switch is dangerous and must be repaired.

- c) **Disconnect the plug from the power source and/or remove the battery pack, if detachable, from the power tool before making any adjustments, changing accessories, or storing power tools.**

Such preventive safety measures reduce the risk of starting the power tool accidentally.

- d) **Store idle power tools out of the reach of children and do not allow persons unfamiliar with the power tool or these instructions to operate the power tool.**

Power tools are dangerous in the hands of untrained users.

- e) **Maintain power tools and accessories. Check for misalignment or binding of moving parts, breakage of parts and any other condition that may affect the power tool's operation. If damaged, have the power tool repaired before use.**

Many accidents are caused by poorly maintained power tools.

- f) **Keep cutting tools sharp and clean.**

Properly maintained cutting tools with sharp cutting edges are less likely to bind and are easier to control.

- g) **Use the power tool, accessories and tool bits etc. in accordance with these instructions, taking into account the working conditions and the work to be performed.**

Use of the power tool for operations different from those intended could result in a hazardous situation.

- h) **Keep handles and grasping surfaces dry, clean and free from oil and grease.**

Slippery handles and grasping surfaces do not allow for safe handling and control of the tool in unexpected situations.

English

- 5) **Battery tool use and care**
- Recharge only with the charger specified by the manufacturer.**
A charger that is suitable for one type of battery pack may create a risk of fire when used with another battery pack.
 - Use power tools only with specifically designated battery packs.**
Use of any other battery packs may create a risk of injury and fire.
 - When battery pack is not in use, keep it away from other metal objects, like paper clips, coins, keys, nails, screws or other small metal objects, that can make a connection from one terminal to another.**
Shorting the battery terminals together may cause burns or a fire.
 - Under abusive conditions, liquid may be ejected from the battery; avoid contact. If contact accidentally occurs, flush with water. If liquid contacts eyes, additionally seek medical help.**
Liquid ejected from the battery may cause irritation or burns.
 - Do not use a battery pack or tool that is damaged or modified.**
Damaged or modified batteries may exhibit unpredictable behaviour resulting in fire, explosion or risk of injury.
 - Do not expose a battery pack or tool to fire or excessive temperature.**
Exposure to fire or temperature above 130°C may cause explosion.
 - Follow all charging instructions and do not charge the battery pack or tool outside the temperature range specified in the instructions.**
Charging improperly or at temperatures outside the specified range may damage the battery and increase the risk of fire.
- 6) **Service**
- Have your power tool serviced by a qualified repair person using only identical replacement parts.**
This will ensure that the safety of the power tool is maintained.
 - Never service damaged battery packs.**
Service of battery packs should only be performed by the manufacturer or authorized service providers.

PRECAUTION

Keep children and infirm persons away.

When not in use, tools should be stored out of reach of children and infirm persons.

CORDLESS AUTO HAMMER SAFETY WARNINGS

- Always assume that the tool contains nails.**
Careless handling of the Auto Hammer can result in unexpected firing of nails and personal injury.
- Do not point the tool towards yourself or anyone nearby.**
Unexpected triggering will discharge the nail causing an injury.
- Do not actuate the tool unless the tool is placed firmly against the workpiece.**
If the tool is not contact with the workpiece, the nail may be deflected away from your target.
- Disconnect the tool from the power source when the nail jams in the tool.**
While removing a jammed nail, the Auto Hammer may be accidentally activated if it is plugged in.

5. **Do not use this Auto Hammer for fastening electrical cables.**

It is not designed for electric cable installation and may damage the insulation of electric cables thereby causing electric shock or fire hazards.

- Wear ear protectors**
Exposure to noise can cause hearing loss.
- Use auxiliary handle(s), if supplied with the tool.**
Loss of control can cause personal injury.
- Hold power tool by insulated gripping surfaces, when performing an operation where the fastener may contact hidden wiring.**
Fasteners contacting a "live" wire may make exposed metal parts of the power tool "live" and could give the operator an electric shock.

ADDITIONAL SAFETY WARNINGS

- Make sure to securely hold the tool during operation.**
Failure to do so can result in accidents or injuries. (Fig. 12)
- Safe operation through correct usage.**
This tool was designed for driving nails into wood and similar materials. Use it for its intended purpose only.
- Be careful of ignition and explosions.**
Since sparks may fly during nailing, it is dangerous to use this tool near lacquer, paint, benzine, thinner, gasoline, gas, adhesives and similar inflammable substances as they may ignite or explode. Under no circumstances should this tool therefore be used in the vicinity of such inflammable material.
- Always wear eye protection (protective goggles).**



When operating the power tool, always wear eye protection, and ensure that surrounding people wear eye protection too.

The possibility of fragments of the nails that were not properly hit entering the eye is a threat to sight. Eye protection can be bought at any hardware store. Always wear eye protection while operating this tool. Use either eye protection or a wide vision mask over prescription glasses. Employers should always enforce the use of eye protection equipment.

- Protect your ears and head.**
When engaged in nailing work please wear ear muffs and head protection. Also, depending on condition, ensure that surrounding people also wear ear muffs and head protection.
- Pay attention to those working close to you.**
It would be very dangerous if nails that were not properly driven in should hit other people. Therefore, always pay attention to the safety of the people around you when using this tool. Always make sure that nobody's body, hands or feet are close to the nail outlet.
- Never point the nail outlet towards people.**



Always assume the tool contains fasteners.

If the nail outlet is pointed towards people, serious accidents may be caused if you mistakenly discharge the tool. When connecting and disconnecting the battery, during nail loading or similar operations, be sure the nail outlet is not pointed towards anyone (including yourself). Even when no nails are loaded at all, it is dangerous to discharge the tool while pointing it at someone, so never attempt to do so. No horseplay. Respect the tool as a working implement.

8. Check rod before use.

Make sure the rod operates properly. Never use the Auto Hammer unless the rod is operating properly, otherwise the Auto Hammer could drive a nail unexpectedly. Do not tamper with or remove the rod, otherwise the rod becomes inoperable.

9. Use specified nails only.

Never use nails other than those specified and described in these instructions.

10. Be careful when connecting the battery.

When connecting the battery and loading nails in order not to fire the tool by mistake, make sure of the followings.

- Do not touch the trigger.
- Do not allow the firing head to contact with any surface.
- Keep the firing head down.
Strictly observe the above instructions, and always make sure that no part of the body, hands or legs is ever in front of the nail outlet.

11. Do not carelessly place your finger on the trigger.

Do not place your finger on the trigger except when actually nailing. If you carry this tool or hand it to someone while having your finger on the trigger, you may inadvertently discharge a nail and thus cause an accident.

12. Press the nail outlet firmly against the material to be nailed.

When driving in nails, press the nail outlet firmly against the material to be nailed. If the outlet is not applied properly, the nails may rebound.

13. Keep hands and feet away from the firing head when using.

It is very dangerous for a nail to hit the hands or feet by mistake.

14. Beware of the tool's kickback.

Do not approach the top of the tool with your head etc. during operation. This is dangerous because the tool may recoil violently if the nail currently being driven in comes into contact with a previous nail or a knot in the wood.

15. Take care when nailing thin boards or the corners of wood.

When nailing thin boards, the nails may pass right through, as may also be the case when nailing the corners of wood due to deviation of the nails. In such cases, always make sure that there is no one (and nobody's hands or feet; etc.) behind the thin board or next to the wood you are going to nail.

16. Simultaneous nailing on both sides of the same wall is dangerous.

Under no circumstances should nailing be performed on both sides of a wall at the same time. This would be very dangerous since the nails might pass through the wall and thus cause injuries.

17. Do not use the power tool on scaffoldings, ladders.

The power tool shall not be used for specific application for example:

- when changing one driving location to another involves the use of scaffoldings, stairs, ladders or ladder alike constructions, e.g. roof laths,
- closing boxes or crates,
- fitting transportation safety systems e.g. on vehicles and wagons

18. Remove all remaining nails and battery from Auto Hammer when:

- 1) doing maintenance and inspection;
- 2) checking proper operation of rod and trigger;
- 3) clearing a jam;
- 4) it is not in use;

5) leaving work area;

6) moving it to another location; and

7) handing it to another person.

Never attempt to clear a jam or repair the Auto Hammer unless you have removed battery and all remaining nails from the Auto Hammer.

The Auto Hammer should never be left unattended since people who are not familiar with the Auto Hammer might handle it and injure the themselves.

19. When cleaning the power tool, do not use gasoline or other inflammable liquids.

If vapour from an inflammable liquid gets into the power tool, there is a danger that sparks produced when stapling etc. may cause an explosion.

20. The operating environment for this device is between 0°C and 40°C so ensure use within this temperature range. The device may fail to operate below 0°C or above 40°C.**21. NEVER allow magnets (or similar magnetic devices) to be adjacent to the Auto Hammer, because the Auto Hammer has a magnet inside.**

Doing so will cause a failure or risk of injury by malfunction.

22. Resting the unit after continuous work.

23. The power tool is equipped with a temperature protection circuit to protect the motor. Continuous work may cause the temperature of the unit to rise, activating the temperature protection circuit and automatically stopping operation. If this happens, allow the power tool to cool before resuming use.

24. This product may cease to operate when an abnormality is detected.**25. Do not look directly into the light.** Such actions could result in eye injury.

Wipe off any dirt or grime attached to the lens of the LED light with a soft cloth, being careful not to scratch the lens.

Scratches on the lens of the LED light can result in decreased brightness.

PRECAUTIONS FOR BATTERY AND CHARGER

1. Always charge the battery at an ambient temperature of 0–40°C.

A temperature of less than 0°C will result in over charging which is dangerous. The battery cannot be charged at a temperature greater than 40°C.

The most suitable temperature for charging is that of 20–25°C.

2. Do not use the charger continuously.

When one charging is completed, leave the charger for about 15 minutes before the next charging of battery.

3. Do not allow foreign matter to enter the hole for connecting the rechargeable battery.**4. Never disassemble the rechargeable battery or charger.****5. Never short-circuit the rechargeable battery.**

Short-circuiting the battery will cause a great electric current and overheat. It results in burn or damage to the battery.

6. Do not dispose of the battery in fire.

If the battery is burnt, it may explode.

7. Using an exhausted battery will damage the charger.**8. Bring the battery to the shop from which it was purchased as soon as the post-charging battery life becomes too short for practical use.**

Do not dispose of the exhausted battery.

English

9. Do not insert objects into the air ventilation slots of the charger.

Inserting metal objects or flammable into the charger air ventilation slots will result in an electrical shock hazard or damage to the charger.

CAUTION ON LITHIUM-ION BATTERY

To extend the lifetime, the lithium-ion battery equips with the protection function to stop the output.

In the cases of 1 to 3 described below, when using this product, even if you are pulling the switch, the motor may stop. This is not the trouble but the result of protection function.

1. When the battery power remaining runs out, the motor stops.
In such a case, charge it up immediately.
2. If the tool is overloaded, the motor may stop. In this case, release the switch of tool and eliminate causes of overloading. After that, you can use it again.
3. If the battery is overheated under overload work, the battery power may stop.
In this case, stop using the battery and let the battery cool. After that, you can use it again.

Furthermore, please heed the following warning and caution.

WARNING

In order to prevent any battery leakage, heat generation, smoke emission, explosion and ignition beforehand, please be sure to heed the following precautions.

1. Make sure that swarf and dust do not collect on the battery.
 - During work make sure that swarf and dust do not fall on the battery.
 - Make sure that any swarf and dust falling on the power tool during work do not collect on the battery.
 - Do not store an unused battery in a location exposed to swarf and dust.
 - Before storing a battery, remove any swarf and dust that may adhere to it and do not store it together with metal parts (screws, nails, etc.).
2. Do not pierce battery with a sharp object such as a nail, strike with a hammer, step on, throw or subject the battery to severe physical shock.
3. Do not use an apparently damaged or deformed battery.
4. Do not use the battery in reverse polarity.
5. Do not connect directly to an electrical outlets or car cigarette lighter sockets.
6. Do not use the battery for a purpose other than those specified.
7. If the battery charging fails to complete even when a specified recharging time has elapsed, immediately stop further recharging.
8. Do not put or subject the battery to high temperatures or high pressure such as into a microwave oven, dryer, or high pressure container.
9. Keep away from fire immediately when leakage or foul odor are detected.
10. Do not use in a location where strong static electricity generates.
11. If there is battery leakage, foul odor, heat generated, discolored or deformed, or in any way appears abnormal during use, recharging or storage, immediately remove it from the equipment or battery charger, and stop use.
12. Do not immerse the battery or allow any fluids to flow inside. Conductive liquid ingress, such as water, can cause damage resulting in fire or explosion. Store your battery in a cool, dry place, away from combustible and flammable items. Corrosive gas atmospheres must be avoided.

CAUTION

1. If liquid leaking from the battery gets into your eyes, do not rub your eyes and wash them well with fresh clean water such as tap water and contact a doctor immediately.
If left untreated, the liquid may cause eye-problems.
2. If liquid leaks onto your skin or clothes, wash well with clean water such as tap water immediately.
There is a possibility that this can cause skin irritation.
3. If you find rust, foul odor, overheating, discolor, deformation, and/or other irregularities when using the battery for the first time, do not use and return it to your supplier or vendor.

WARNING

If a conductive foreign matter enters in the terminal of lithium ion battery, the battery may be shorted, causing fire. When storing the lithium ion battery, obey surely the rules of following contents.

- Do not place conductive debris, nail and wires such as iron wire and copper wire in the storage case.
- To prevent shorting from occurring, load the battery in the tool or insert securely the battery cover for storing until the ventilator is not seen (Fig. 2).

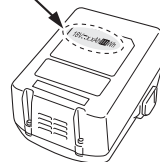
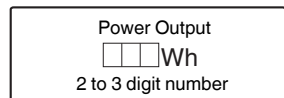
REGARDING LITHIUM-ION BATTERY TRANSPORTATION

When transporting a lithium-ion battery, please observe the following precautions.

WARNING

Notify the transporting company that a package contains a lithium-ion battery, inform the company of its power output and follow the instructions of the transportation company when arranging transport.

- Lithium-ion batteries that exceed a power output of 100 Wh are considered to be in the freight classification of Dangerous Goods and will require special application procedures.
- For transportation abroad, you must comply with international law and the rules and regulations of the destination country.








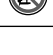







NAMES OF PARTS (Fig. 1 – Fig. 12)

①	Firing head (outlet)
②	Rod
③	LED light
④	Trigger
⑤	Hook
⑥	Battery
⑦	Latch
⑧	Battery cover
⑨	Terminals
⑩	Ventilation holes
⑪	Charger
⑫	Nail head
⑬	Nail shaft
⑭	Nail tip
⑮	Magnet
⑯	Magnetized area
⑰	Nail
⑱	Driver unit
⑲	Metal joint
⑳	Hole
㉑	Screw
㉒	Groove
㉓	Pliers

SYMBOLS

WARNING

The following show symbols used for the machine. Be sure that you understand their meaning before use.

	NH18DSL: Cordless Auto Hammer
	To reduce the risk of injury, user must read instruction manual
	Operators and others in work area must wear safety glasses with side shields.
	Never point tool at yourself or others in work area.
	Disconnect the battery
	Do not use on scaffoldings, ladders.
	Only for EU countries Do not dispose of electric tools together with household waste material! In observance of European Directive 2012/19/EU on waste electrical and electronic equipment and its implementation in accordance with national law, electric tools that have reached the end of their life must be collected separately and returned to an environmentally compatible recycling facility.
	Direct current
	Weight (According to EPTA-Procedure 01/2014)
	Switching ON
	Switching OFF
	Warning
	Prohibited action

SPECIFICATIONS

1. Cordless Auto Hammer

Model	NH18DSL
Voltage	18 V
Number of blows	4000 min ⁻¹
Applicable Nail	ø1.7 – 4.1 mm (See Table 1)* ¹
Applicable Nail Length	25 mm to 90 mm* ¹
Weight* ²	1.3–1.9 kg
Dimension Height × Length	135 mm × 285 mm (BSL1815)

*1: Opposing Wood: SPF, Cedar

May not be able to fully drive a nail into hard materials such as hemlock spruce, MDF or laminated lumber.

*2: Weight: According to EPTA-Procedure 01/2014. Depending on attached battery. The heaviest weight is measured with BSL36B18 (sold separately).

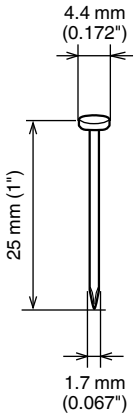

NOTE

Due to HiKOKI's continuing program of research and development, the specifications herein are subject to change without prior notice.

NAIL SELECTION

Use nails in following sizes for this Auto Hammer.

Table 1

Min.	Max.
 <p>4.4 mm (0.172")</p> <p>25 mm (1")</p> <p>1.7 mm (0.067")</p>	 <p>8.7 mm (0.344")</p> <p>90 mm (3-1/2")</p> <p>4.1 mm (0.162")</p>

WARNING

- Do not use nails in any other size. They may damage the rod or be shot in a slanting direction.
- Be careful of nail head sizes. Nail head size may vary between large and small with commercially available bulk nails.
- Do not use hardened nails.

NOTE

- May not be able to fully drive a nail into hard materials such as hemlock spruce, MDF or laminated lumber.

STANDARD ACCESSORIES

WARNING

- Accessories other than those shown below can lead to malfunction and resulting injuries.

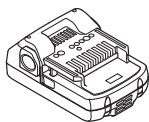
- ① Eye protection.....1



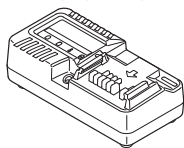
NOTE: Accessories are subject to change without any obligation on the part of HiKOKI.

OPTIONAL ACCESSORIES (SOLD SEPARATELY)

1. Battery
○ BSL1815



2. Charger
○ UC18YKSL (Charging voltage: 14.4 V – 18 V)



Optional accessories are subject to change without notice.

APPLICATIONS

- Wooden materials in general constructions, fittings, wood decks, frameworks, and renovations

CHARGING

Battery and battery charger are not included with this product.

For rechargeable batteries, please charge in according to the handling instructions of the charger which you are using. (Fig. 5)

MOUNTING AND OPERATION

Action	Figure	Page
Inserting and removing the battery	3	2
Switch operation	4	2
Charging	5	3
Checking rod operations*1	6	3
Shooting by holding a nail with the magnet*2	7	3
Shooting by holding a nail with fingers.*3	8	3
Fixing a nail to the metal joint*4	9	4
Using the hook*5	10	4
Clearing a jam	11	4
Selecting accessories	—	199

*1 WARNING

- Check to make sure the rod slides smoothly when operated. Clean the sliding area on the rod if it doesn't slide smoothly.

*2 WARNING

- When loading a nail in the rod, hold the nail shaft instead of the tip.
- When loading a nail in the rod, make sure it does not press the tip of the driver unit.
- When loading a nail in the rod, do not place your fingers or hands below the tip of a nail.

*3 WARNING

- When shooting a nail holding it with fingers, place the nail tip at a target first, and then insert the rod to the nail head.

*4 WARNING

- When shooting a nail, make sure the tip of the nail is in the hole of the metal joint.

*5 CAUTION

- When using the hook, hang up the power tool firmly not to drop accidentally.
If the power tool is dropped, it may lead to an accident.
- Make sure the battery removed when using the hook.
- Install securely the hook. Unless the hook is securely installed, it may cause an injury while using.

CAUTION

When shooting a nail, operate for a short time and avoid continuous work. Otherwise may cause a failure or leak grease.

MAINTENANCE AND INSPECTION

CAUTION

Be sure to remove battery from the Auto Hammer before maintenance and inspection.

WARNING

- Disconnect battery and remove nail from Auto Hammer when:
 - 1) doing maintenance and inspection; and
 - 2) clearing a jam.
- Without connecting the battery, check if the rod moves steadily by pressing the rod tip against a material such as of wood.

1. Clearing a jam (Fig. 11)

- ① Remove battery from the Auto Hammer.
- ② Remove the jammed nail with a pair of pliers.
- ③ In case of frequent jam, contact a HiKOKI authorized service center.

2. Rod inspection (Fig. 6)

Periodically clean and lubricate the sliding part of the rod and socket.

Check if the rod moves smoothly by pressing the Auto Hammer against a material such as of wood.

When iron powders or the like adheres to the magnetized area within the rod, the power to magnetically hold a nail may be reduced. Wipe the area clean with a cloth or adhesive tape sometimes.

Also, clean the iron powder on the magnet outside the rod with cloth or adhesive tape sometimes.

It makes the rod operation smooth.

3. Inspecting the mounting screws

Regularly inspect all mounting screws and ensure that they are properly tightened. Should any of the screws be loose, retighten them immediately. Failure to do so could result in serious hazard.

4. Maintenance of the motor

The motor unit winding is the very "heart" of the power tool. Exercise due care to ensure the winding does not become damaged and/or wet with oil or water.

English

5. Cleaning on the outside

When the power tool is stained, wipe with a soft dry cloth or a cloth moistened with soapy water. Do not use chloric solvents, gasoline or paint thinner, for they melt plastics.

6. Storage

Store the power tool and battery in a place in which the temperature is less than 40°C and out of reach of children.

NOTE

Storing lithium-ion batteries.

Make sure the lithium-ion batteries have been fully charged before storing them.

Prolonged storage (3 months or more) of batteries with a low charge may result in performance deterioration, significantly reducing battery usage time or rendering the batteries incapable of holding a charge.

However, significantly reduced battery usage time may be recovered by repeatedly charging and using the batteries two to five times.

If the battery usage time is extremely short despite repeated charging and use, consider the batteries dead and purchase new batteries.

CAUTION

In the operation and maintenance of power tools, the safety regulations and standards prescribed in each country must be observed.

Important notice on the batteries for the HiKOKI cordless power tools

Please always use one of our designated genuine batteries. We cannot guarantee the safety and performance of our cordless power tool when used with batteries other than these designated by us, or when the battery is disassembled and modified (such as disassembly and replacement of cells or other internal parts).

GUARANTEE

We guarantee HiKOKI Power Tools in accordance with statutory/country specific regulation. This guarantee does not cover defects or damage due to misuse, abuse, or normal wear and tear. In case of complaint, please send the Power Tool, undismantled, with the GUARANTEE CERTIFICATE found at the end of this Handling instruction, to a HiKOKI Authorized Service Center.

Information concerning airborne noise and vibration

The measured values were determined according to EN62841 and declared in accordance with ISO 4871.

Measured A-weighted sound power level: 107 dB (A)

Measured A-weighted sound pressure level: 96 dB (A)

Uncertainty K: 3 dB (A).

Wear hearing protection.

Vibration total values (triax vector sum) determined according to EN62841.

Vibration value: 15.5 m/s²

Uncertainty K = 1.5 m/s²

The declared vibration total value and the declared noise emission value have been measured in accordance with a standard test method and may be used for comparing one tool with another.

They may also be used in a preliminary assessment of exposure.

WARNING

- The vibration and noise emission during actual use of the power tool can differ from the declared total value depending on the ways in which the tool is used especially what kind of workpiece is processed; and
- Identify safety measures to protect the operator that are based on an estimation of exposure in the actual conditions of use (taking account of all parts of the operating cycle such as the times when the tool is switched off and when it is running idle in addition to the trigger time).

NOTE

Due to HiKOKI's continuing program of research and development, the specifications herein are subject to change without prior notice.

ALLGEMEINE SICHERHEITSHINWEISE FÜR ELEKTROGERÄTE

⚠ WARNUNG

Bitte beachten Sie sämtliche mit diesem Elektrogerät gelieferten Sicherheitshinweise, Anweisungen, Illustrationen und technischen Angaben.

Wenn die nachfolgenden Anweisungen nicht befolgt werden, kann es zu Stromschlag, Brand und/oder ernsthaften Verletzungen kommen.

Bitte bewahren Sie alle Warnhinweise und Anweisungen zum späteren Nachschlagen auf.

Der Begriff „Elektrowerkzeug“ bezieht sich in den Warnhinweisen auf Elektrowerkzeuge mit Netz- (schnurgebunden) oder Akkubetrieb (schnurlos).

1) Sicherheit im Arbeitsbereich

- Sorgen Sie für einen sauberen und gut ausgeleuchteten Arbeitsbereich.**
Zugestellte oder dunkle Bereiche ziehen Unfälle förmlich an.
- Verwenden Sie Elektrowerkzeuge niemals an Orten, an denen Explosionsgefahr besteht, wie zum Beispiel in der Nähe von leicht entflammaren Flüssigkeiten, Gasen oder Stäuben.**
Bei der Arbeit mit Elektrowerkzeugen kann es zu Funkenbildung kommen, wodurch sich Stäube oder Dämpfe entzünden können.
- Sorgen Sie bei der Arbeit mit Elektrowerkzeugen dafür, dass sich keine Zuschauer (insbesondere Kinder) in der Nähe befinden.**
Wenn Sie abgelenkt werden, können Sie die Kontrolle über das Werkzeug verlieren.

2) Elektrische Sicherheit

- Elektrowerkzeuge müssen mit passender Stromversorgung betrieben werden. Nehmen Sie niemals irgendwelche Änderungen am Anschlussstecker vor. Verwenden Sie bei Elektrowerkzeugen mit Schutzkontakt (geerdet) niemals Adapterstecker.**
Stecker im Originalzustand und passende Steckdosen reduzieren das Stromschlagrisiko.
- Vermeiden Sie Körperkontakt mit geerdeten Gegenständen wie Rohrleitungen, Heizungen, Herden oder Kühlschränken.**
Bei Körperkontakt mit geerdeten Gegenständen besteht ein erhöhtes Stromschlagrisiko.
- Setzen Sie Elektrowerkzeuge niemals Regen oder sonstiger Feuchtigkeit aus.**
Wenn Flüssigkeiten in ein Elektrowerkzeug eindringen, erhöht sich das Stromschlagrisiko.
- Verwenden Sie das Anschlusskabel nicht missbräuchlich. Tragen Sie das Elektrowerkzeug niemals am Stromkabel, ziehen Sie es nicht damit heran und ziehen Sie den Stecker nicht am Anschlusskabel aus der Steckdose. Halten Sie das Anschlusskabel von Hitzequellen, Öl, scharfen Kanten und beweglichen Teilen fern.**
Beschädigte oder verdrehte Anschlusskabel erhöhen das Stromschlagrisiko.
- Verwenden Sie, wenn Sie ein Elektrowerkzeug im Freien benutzen, ein für den Außeneinsatz geeignetes Verlängerungskabel.**
Ein für den Außeneinsatz geeignetes Kabel vermindert das Stromschlagrisiko.

- Falls sich der Betrieb des Elektrowerkzeugs in feuchter Umgebung nicht vermeiden lässt, verwenden Sie eine Stromversorgung mit Fehlerstromschutzeinrichtung (Residual Current Device, RCD).**
Durch den Einsatz einer Fehlerstromschutzeinrichtung wird das Risiko eines elektrischen Schlages reduziert.

3) Persönliche Sicherheit

- Bleiben Sie wachsam, achten Sie auf das, was Sie tun, und setzen Sie Ihren Verstand ein, wenn Sie mit Elektrowerkzeugen arbeiten. Benutzen Sie keine Elektrowerkzeuge, wenn Sie müde sind oder unter Einfluss von Drogen, Alkohol oder Medikamenten stehen.**
Bei der Arbeit mit Elektrowerkzeugen können bereits kurze Phasen der Unaufmerksamkeit zu schweren Verletzungen führen.
- Benutzen Sie eine persönliche Schutzausrüstung. Tragen Sie immer einen Augenschutz.**
Schutzausrüstung wie Staubmaske, rutschfeste Sicherheitsschuhe, Schutzhelm und Gehörschutz senken bei angemessenem Einsatz das Verletzungsrisiko.
- Vermeiden Sie unbeabsichtigtes Einschalten. Achten Sie darauf, dass sich der Schalter in der Aus- (Off-) Position befindet, ehe Sie das Gerät mit der Stromversorgung und/oder Batteriestromversorgung verbinden, es aufheben oder herumtragen.**
Das Herumtragen von Elektrowerkzeugen mit dem Finger am Schalter oder das Herstellen der Stromversorgung bei betätigtem Schalter zieht Unfälle regelrecht an.
- Entfernen Sie sämtliche Einstellwerkzeuge (Einstellschlüssel), ehe Sie das Elektrowerkzeug einschalten.**
Ein an einem beweglichen Teil des Elektrowerkzeugs angebrachter Schlüssel kann zu Verletzungen führen.
- Überstrecken Sie sich nicht. Achten Sie jederzeit darauf, sicher zu stehen und das Gleichgewicht zu bewahren.**
Dadurch haben Sie das Elektrowerkzeug in unerwarteten Situationen besser im Griff.
- Tragen Sie geeignete Kleidung. Tragen Sie keine lose Kleidung oder Schmuck. Halten Sie Ihr Haar und Ihre Kleidung von beweglichen Teilen fern.**
Lose Kleidung, Schmuck oder langes Haar kann von beweglichen Teilen erfasst werden.
- Wenn Anschlüsse für Staubabsaug- und -sammelvorrichtungen vorhanden sind, sorgen Sie dafür, dass diese richtig angeschlossen und eingesetzt werden.**
Durch Entfernen des Staubes können staubbezogene Gefahren vermindert werden.
- Lassen Sie es nicht zu, dass die durch häufigen Gebrauch von Werkzeugen erworbene Vertrautheit Sie nachlässig macht und Sie die Sicherheitsrichtlinien für das Werkzeug ignorieren.**
Eine unvorsichtige Handlung kann in Sekundenbruchteilen zu schweren Verletzungen führen.

Deutsch

4) Einsatz und Pflege von Elektrowerkzeugen

- a) **Überbeanspruchen Sie Elektrowerkzeuge nicht. Benutzen Sie das richtige Elektrowerkzeug für Ihren Einsatzzweck.**

Das richtige Elektrowerkzeug erledigt seine Arbeit bei bestimmungsgemäßem Einsatz besser und sicherer.

- b) **Benutzen Sie das Elektrowerkzeug nicht, wenn es sich nicht am Schalter ein- und ausschalten lässt.**

Jedes Elektrowerkzeug, das nicht mit dem Schalter betätigt werden kann, stellt eine Gefahr dar und muss repariert werden.

- c) **Ziehen Sie den Stecker der Stromversorgung ab und/oder entfernen Sie den Akkupack vom Elektrowerkzeug, falls abnehmbar, ehe Sie Einstellarbeiten vornehmen, Zubehörteile tauschen oder das Elektrowerkzeug verstauen.**

Solche präventiven Sicherheitsmaßnahmen verhindern den unbeabsichtigten Anlauf des Elektrowerkzeugs und die damit verbundenen Gefahren.

- d) **Lagern Sie nicht benutzte Elektrowerkzeuge außerhalb der Reichweite von Kindern, lassen Sie nicht zu, dass Personen das Elektrowerkzeug bedienen, die nicht mit dem Werkzeug selbst und/oder diesen Anweisungen vertraut sind.**

Elektrowerkzeuge in ungeschulten Händen sind gefährlich.

- e) **Wartung von Elektrowerkzeugen und Zubehör. Prüfen Sie sie auf Fehlausrichtungen, Leichtgängigkeit beweglicher Teile, Beschädigungen von Teilen und auf alle anderen Umstände, die sich auf den Betrieb des Elektrowerkzeugs auswirken können. Lassen Sie das Elektrowerkzeug bei Beschädigungen reparieren, ehe Sie es benutzen.**

Viele Unfälle mit Elektrowerkzeugen sind auf schlechte Wartung zurückzuführen.

- f) **Halten Sie Schneidwerkzeuge scharf und sauber.**

Richtig gewartete Schneidwerkzeuge mit scharfen Schneiden bleiben weniger häufig hängen und sind einfacher zu beherrschen.

- g) **Benutzen Sie Elektrowerkzeuge, Zubehör, Werkzeugspitzen und Ähnliches in Übereinstimmung mit diesen Anweisungen – beachten Sie dabei die jeweiligen Arbeitsbedingungen und die Art der auszuführenden Arbeiten.**

Der Gebrauch des Elektrowerkzeugs für andere als die vorgesehenen Anwendungen kann zu gefährlichen Situationen führen.

- h) **Halten Sie Handgriffe und Greifflächen trocken, sauber und frei von Öl und Fett.**

Rutschige Handgriffe und Greifflächen lassen keine sichere Handhabung und Kontrolle des Werkzeugs in unerwarteten Situationen zu.

5) Verwendung und Pflege der Batterie

- a) **Laden Sie das Gerät nur mit dem vom Hersteller empfohlenen Ladegerät auf.**

Ein Ladegerät für einen speziellen Batterietyp kann bei Verwendung mit anderen Batterien zu Brandgefahr führen.

- b) **Verwenden Sie nur die für das Elektrowerkzeug speziell empfohlenen Akkus.**

Eine Verwendung von anderen Batterien kann zu Verletzungen und Bränden führen.

- c) **Ist der Akku nicht in Gebrauch, achten Sie darauf, dass er nicht mit Metallgegenständen, beispielsweise Büroklammern, Münzen, Schlüsseln, Nägeln, Schrauben oder anderen kleinen Metallgegenständen in Kontakt kommt, da diese Gegenstände einen Kurzschluss der Anschlüsse verursachen können.**

Ein Kurzschluss der Batterieanschlüsse kann zu Verbrennungen oder Bränden führen.

- d) **Im Falle von missbräuchlichen Bedingungen kann Flüssigkeit aus dem Akku austreten. Vermeiden Sie in diesem Fall jeglichen Kontakt. Sollten Sie dennoch mit der Batterieflüssigkeit in Berührung kommen, waschen Sie die betroffene Stelle gründlich mit Wasser ab. Ist die Flüssigkeit ins Auge geraten, suchen Sie einen Arzt auf.**

Ausgetretene Batterieflüssigkeiten können zu Reizungen oder Verbrennungen führen.

- e) **Verwenden Sie keinen Akku oder kein Werkzeug, der oder das beschädigt oder verändert ist.**

Beschädigte oder veränderte Akkus können ein unvorhersehbares Verhalten aufweisen, das zu einem Feuer, einer Explosion oder Verletzung führen kann.

- f) **Setzen Sie den Akku oder das Werkzeug keinem Feuer oder keiner zu hohen Temperatur aus.**

Die Einwirkung von Feuer oder einer Temperatur über 130°C kann zu einer Explosion führen.

- g) **Befolgen Sie alle Anweisungen zum Aufladen und laden Sie den Akku oder das Werkzeug nicht außerhalb des Temperaturbereichs auf, der in der Anleitung angegeben ist.**

Wenn Sie den Akku falsch oder bei Temperaturen außerhalb des angegebenen Bereichs aufladen, kann der Akku beschädigt werden und die Gefahr eines Brandes steigen.

6) Service

- a) **Lassen Sie Ihr Elektrowerkzeug durch qualifizierte Fachkräfte und nur unter Einsatz der passenden Originalersatzteile warten.**

Dies sorgt dafür, dass die Sicherheit des Elektrowerkzeugs nicht beeinträchtigt wird.

- b) **Warten Sie niemals beschädigte Akkus.**

Die Wartung von Akkus ist stets vom Hersteller oder autorisierten Dienstleistern durchzuführen.

VORSICHT

Von Kindern und gebrechlichen Personen fernhalten. Werkzeuge sollten bei Nichtgebrauch außerhalb der Reichweite von Kindern und gebrechlichen Personen aufbewahrt werden.

SICHERHEITSHINWEISE FÜR DEN AKKU-AUTOHAMMER

1. **Gehen Sie immer davon aus, dass sich Nägel im Werkzeug befinden.**

Bei unachtsamer Handhabung des Autohammers kann es zum unerwarteten Abfeuern von Nägeln und zu Verletzungen kommen.

2. **Richten Sie das Gerät nicht auf sich selbst oder auf eine andere Person in der Nähe.**

Durch ein unerwartetes Auslösen kann ein Nagel abgefeuert werden und eine Verletzung verursachen.

3. **Betätigen Sie das Werkzeug nur, wenn das Werkzeug fest am Werkstück anliegt.**

Falls das Werkzeug nicht in Kontakt mit dem Werkstück ist, kann der Nagel von seinem Ziel abgelenkt werden.

4. **Trennen Sie das Werkzeug von der Stromquelle, wenn sich ein Nagel darin verklemt hat.**
Bei der Entfernung eines verklemt Nagels könnte der Autohammer versehentlich aktiviert werden, wenn er mit der Steckdose verbunden ist.
5. **Verwenden Sie diesen Autohammer nicht zum Befestigen von Elektrokabeln.**
Er ist nicht für die Verlegung von Elektrokabeln bestimmt und kann die Isolierung der Elektrokabel beschädigen, wodurch Stromschläge und Brandgefahren entstehen können.
6. **Gehörschutz tragen**
Die Aussetzung zu lauten Geräuschen kann zu Hörverlust führen.
7. **Benutzen Sie, falls mit dem Werkzeug mitgeliefert, den/die Hilfsgriff(e).**
Ein Verlust der Kontrolle kann zu Körperverletzungen führen.
8. **Halten Sie das Elektrowerkzeug an den isolierten Griffflächen fest, wenn Sie Arbeiten ausführen, bei denen das Befestigungselement in Kontakt mit verborgenen Kabeln kommen kann.**
Wenn Befestigungselemente in Kontakt mit stromführenden Kabeln kommen, können die Metallteile des Elektrowerkzeugs ebenfalls stromführend werden und dem Bediener einen elektrischen Schlag versetzen.

ZUSÄTZLICHE SICHERHEITSWARNUNGEN

1. **Halten Sie das Werkzeug bei der Arbeit unbedingt fest.**
Wird dies nicht eingehalten, kann es zu Unfällen oder Verletzungen kommen. (Abb. 12)
2. **Sichere Arbeitsweise durch korrekten Gebrauch.**
Dieses Gerät wurde zum Eintreiben von Nägeln in Holz oder ähnliches Material entwickelt. Benutzen Sie es ausschliesslich für den vorgesehenen Verwendungszweck.
3. **Schützen Sie sich vor Bränden und Explosionen.**
Da während des Nagelns Funken umherfliegen können ist es gefährlich, das Gerät in der Nähe von Lacken, Farben, Benzin, Verdünnern, Gasolinen, Gas, Klebstoffen oder ähnlichen brennbaren Substanzen zu benutzen, da diese sich entzünden oder explodieren können. Das Gerät darf aus diesem Grunde unter keinen Umständen in der Nähe solcher brennbaren Materialien benutzt werden.
4. **Schützen Sie Ihre Augen mit Schutzbrillen.**

 Wenn Sie mit dem Gerät arbeiten tragen Sie stets eine Schutzbrille und achten Sie darauf, dass auch in Ihrer Umgebung Schutzbrillen getragen werden. Es können Teile von Nägeln, die nicht einwandfrei eingetrieben wurden, in die Augen eindringen und das Augenlicht zerstören. Schutzbrillen sind in jedem Fachgeschäft erhältlich. Tragen Sie stets einen Sicherheits-Augenschutz, entweder eine Schutzbrille oder eine Weitwinkel-Schutzmaske mit den vorgeschriebenen Gläsern. Arbeitgeber sollten das Tragen von Augenschutz immer vorschreiben.
5. **Schützen Sie Ihre Ohren und Ihren Kopf.**
Tragen Sie während des Nagelns Lärmschutz und Sicherheitshelme. Abhängig von den Bedingungen sollten auch Personen in der Umgebung Lärmschutz und Sicherheitshelme tragen.
6. **Achten Sie auf Personen, die in Ihrer Nähe arbeiten.**
Es kann gefährlich werde wenn Nägel, die nicht richtig eingetrieben wurden andere Personen verletzen. Achten Sie aus diesem Grunde auf die Sicherheit der Sie umgebenden Personen wenn Sie dieses Gerät benutzen. Achten Sie darauf, dass die Mündung des Gerätes nicht in die Nähe von Personen, Händen oder Füßen kommt.
7. **Richten Sie die Mündung des Gerätes nie gegen Personen.**

 Gehen Sie immer davon aus, dass sich Nägel im Werkzeug befinden. Wenn die Mündung des Naglers auf Person gerichtet wird, kann es zu schweren Unfällen kommen, sollte das Werkzeug aus Versehen auslösen. Achten Sie beim Anschließen und Abtrennen des Akkus, während des Nachladens von Nägeln oder bei ähnlichen Vorgängen darauf, dass der Nagelauslass nicht auf eine Person gerichtet ist (einschließlich Sie selbst). Selbst wenn sich keine Nägel im Werkzeug befinden, ist es gefährlich, das Werkzeug auszulösen, während es auf jemanden gerichtet ist. Versuchen Sie dies also niemals. Das Werkzeug ist kein Spielzeug. Betrachten Sie das Werkzeug ausschliesslich als Arbeitsmittel und gehen Sie entsprechend damit um.
8. **Überprüfen Sie die Schussvorrichtung vor dem Gebrauch.**
Überzeugen Sie sich von der ordnungsgemäßen Funktion der Schussvorrichtung. Verwenden Sie den Autohammer nur, wenn die Schussvorrichtung ordnungsgemäß funktioniert, andernfalls könnte der Autohammer unerwartet einen Nagel abfeuern. Nehmen Sie keine Veränderungen an der Schussvorrichtung vor und entfernen Sie sie nicht, sonst wird die Schussvorrichtung funktionsunfähig.
9. **Benutzen Sie ausschliesslich die vorgeschriebenen Nägel.**
Es dürfen ausschliesslich die in der Betriebsanleitung bezeichneten Befestigungsmittel verarbeitet werden.
10. **Gehen Sie sorgsam beim Anschluss des Akkus vor.**
Achten Sie beim Anschluss des Akkus und beim Laden von Nägeln auf Folgendes, damit es nicht zum versehentlichen Auslösen des Werkzeugs kommt.
 - Berühren Sie auf keinen Fall den Auslöser.
 - Achten Sie darauf, dass die Mündung nicht mit irgendeinem Gegenstand in Berührung kommt.
 - Halten Sie die Mündung nach unten gerichtet. Beachten Sie unbedingt die obigen Anweisungen und sorgen Sie dafür, dass sich keine Körperteile, Hände oder Füße vor der Mündung des Gerätes befinden.
11. **Berühren Sie niemals achtlos den Auslöser.**
Berühren Sie den Auslöser mit dem Finger nur beim Nageln. Wenn Sie das Gerät tragen oder jemandem überreichen während Sie den Finger am Auslöser haben, können Sie unbeabsichtigt einen Schuss auslösen und so einen Unfall verursachen.
12. **Drücken Sie die Mündung fest gegen das zu nagelnde Material.**
Wenn Sie Nägel eintreiben, drücken Sie die Mündung fest gegen das zu nagelnde Material. Geschieht dies nicht sorgfältig, können die Nägel zurückschlagen.
13. **Halten Sie Hände und Füße während des Arbeitens von der Mündung entfernt.**

 Es ist sehr gefährlich, wenn ein Nagel durch einen Fehler in die Hände oder Füße eindringt.

Deutsch

14. Schützen Sie sich vor dem Rückschlag des Gerätes.

Nähern Sie sich während des Arbeitens nicht mit dem Kopf oder anderen Körperteilen dem Oberteil des Gerätes. Dies ist gefährlich, da das Gerät heftig zurückschlagen kann, wenn ein Nagel auf einen vorher eingetriebenen oder auf einen Knoten im Holz trifft.

15. Seien Sie vorsichtig beim Nageln von dünnen Brettern oder Holzkanten.

Beim Nageln von dünnen Brettern können die Nägel durchschlagen, wie dies auch beim Nageln von Holzkanten durch Querschläger geschehen kann. Achten Sie in solchen Fällen darauf, dass sich niemand (auch keine Hände, Füße etc.) hinter dem Brett oder in der Nähe des Holzes, das Sie gerade nageln befindet.

16. Gleichzeitiges Nageln auf beiden Seiten einer Wand ist gefährlich.

Unter keinen Umständen darf auf beiden Seiten derselben Wand gleichzeitig genagelt werden. Dies wäre gefährlich, da die Nägel durch die Wand schlagen könnten und so Verletzungen hervorrufen.

17. Verwenden Sie das Werkzeug nicht auf Gerüsten oder Leitern.

Das Werkzeug darf für bestimmte Anwendungen nicht verwendet werden, z.B.:

- wenn Änderung des Eintreibungsortes die Verwendung von Gerüsten, Treppen, Leitern oder leiterähnlichen Konstruktionen beinhaltet, z.B. Lattenwerk
- schließen von Kästen oder Kisten,
- angemessene Transportsicherheitsysteme, z.B. auf Fahrzeugen und Wägen

18. Nehmen Sie alle verbleibenden Nägel und den Akku aus dem Autohammer, wenn:

- 1) Sie Wartungs- und Inspektionsarbeiten durchführen;
- 2) Sie die ordnungsgemäße Funktion von Schussvorrichtung und Auslöser prüfen;
- 3) Sie einen Stau beseitigen;
- 4) er nicht in Gebrauch ist;
- 5) Sie den Arbeitsbereich verlassen;
- 6) Sie ihn an einen anderen Ort bringen; und
- 7) wenn Sie ihn an eine andere Person übergeben.

Versuchen Sie niemals, verklemmte Nägel zu entfernen oder den Autohammer zu reparieren, solange Sie nicht den Akku und die verbleibenden Nägel aus dem Autohammer entnommen haben.

Der Autohammer darf niemals unbeaufsichtigt bleiben, weil Personen, die nicht mit dem Autohammer vertraut sind, ihn in Betrieb nehmen und sich dabei verletzen könnten.

19. Verwenden Sie zur Reinigung des Elektrowerkzeugs kein Benzin oder andere entflammare Flüssigkeiten.

Wenn Dampf von entflammaren Flüssigkeiten in das Elektrowerkzeug gerät, besteht die Gefahr, dass durch den Betrieb o. Ä. verursachte Funken zu einer Explosion führen.

20. Die zulässige Betriebstemperatur dieses Gerätes liegt zwischen 0°C und 40°C. Achten Sie daher bitte darauf, das Gerät nur innerhalb dieses Temperaturbereiches zu betreiben. Es kann vorkommen, dass das Gerät unterhalb 0°C oder oberhalb 40°C nicht mehr arbeitet.

21. Lassen Sie NIEMALS zu, dass sich Magneten (oder ähnliche magnetische Teile) in der Nähe des Autohammers befinden, da der Autohammer einen Magneten im Inneren hat.

Das kann zu einem Versagen oder Verletzungsrisiko durch Fehlfunktion führen.

22. Lassen Sie das Gerät nach einer Dauerarbeit ruhen.

23. Das Werkzeug ist mit einer Temperaturschutzschaltung ausgestattet, um den Motor zu schützen. Kontinuierliche Arbeit kann zu einem Temperaturanstieg des Werkzeugs führen, was die Temperaturschutzschaltung aktiviert und den Betrieb automatisch stoppt. Sollte dies der Fall sein, lassen Sie das Werkzeug abkühlen, bevor Sie es wieder benutzen.

24. Dieses Produkt funktioniert möglicherweise nicht mehr, wenn eine Unregelmäßigkeit festgestellt wird.

25. Schauen Sie nicht direkt in den Lichtstrahl. Das könnte zu Augenschäden führen.

Wischen Sie Schmutz und Ruß mit einem weichen Tuch von der Linse der LED-Lampe und achten Sie darauf, die Linse nicht zu verkratzen.

Kratzer auf der Linse der LED-Lampe können zu einer verminderten Helligkeit führen.

VORSICHTSMASSNAHMEN FÜR AKKU UND LADEGERÄT

1. Den Akku immer bei einer Temperatur von 0–40°C laden.

Temperaturen von unter 0°C haben eine gefährliche Überladung zur Folge. Der Akku darf nicht bei Temperaturen von über 40°C geladen werden. Die ideale Ladetemperatur beträgt 20–25°C.

2. Das Ladegerät ist nicht für Dauerbetrieb konzipiert.

Nach Beendigung eines Ladevorgangs das Ladegerät ca. 15 Minuten ruhen lassen, bevor mit dem nächsten Ladevorgang begonnen wird.

3. Darauf achten, dass keine Fremdkörper durch das Anschlussloch des Akkus eindringen.

4. Niemals den Akku oder das Ladegerät zerlegen.

5. Niemals den Akku kurzschließen.

Ein Kurzschließen des Akkus verursacht hohe Stromstärken und Überhitzung. Das kann zu Verbrennungen und zu Schäden am Akku führen.

6. Den Akku nicht ins Feuer werfen.

Er könnte dabei explodieren.

7. Das Benutzen eines erschöpften Akkus beschädigt das Ladegerät.

8. Bringen Sie den Akku zu dem Geschäft, in dem Sie ihn erworben haben, sobald seine Lebensdauer zur Neige geht.

Erschöpfte Akkus nicht wegwerfen.

9. Schieben Sie keine Gegenstände durch die Belüftungsschlitze des Ladegeräts.

Wenn Metallobjekte oder entzündliche Gegenstände durch die Belüftungsschlitze des Ladegeräts eindringen, kann dies zu elektrischen Schlägen führen oder das Ladegerät beschädigen.

WARNUNG ZUM LITHIUM-IONEN- AKKU

Um die Lebensdauer des Lithium-Ionen-Akkus zu verlängern, ist dieser mit einer Schutzfunktion zum Stoppen der Leistungsabgabe ausgestattet.

In den unten beschriebenen Fällen 1 bis 3 kann bei der Benutzung dieses Produkts der Motor abschalten, selbst wenn Sie den Schalter drücken. Dies ist kein Defekt sondern das Resultat der Schutzfunktion.

1. Wenn die verbleibende Akkuleistung nicht mehr ausreicht, schaltet der Motor ab.

Laden Sie in einem solchen Fall den Akku umgehend auf.

2. Wenn das Werkzeug überlastet ist, kann es zum Abschalten des Motors kommen. Lassen Sie in diesem Fall den Schalter des Werkzeugs los und beseitigen Sie die Ursache der Überlastung. Danach können Sie das Werkzeug wieder verwenden.
3. Kommt es während des Betriebs zu einer Überhitzung der Batterie, wird das Gerät unter Umständen angehalten. Unterbrechen Sie in diesem Fall Ihre Arbeit und lassen Sie die Batterie abkühlen. Danach können Sie das Werkzeug wieder verwenden.

Bitte beachten Sie die folgenden Warnhinweise.

WARNUNG

Zur Vermeidung eines Auslaufens der Batterie, Erwärmung, Rauchentwicklung, Explosionen und vorzeitiger Zündung beachten Sie bitte die folgenden Vorsichtsmaßnahmen.

1. Stellen Sie sicher, dass sich keine Späne und Staub auf der Batterie ansammeln.
 - Stellen Sie während der Arbeit sicher, dass keine Späne und Staub auf die Batterie fallen.
 - Stellen Sie sicher, dass sich Staub und Späne, die während der Bearbeitung auf das Elektrowerkzeug fallen, nicht auf der Batterie ansammeln.
 - Lagern Sie ungebrauchte Batterien nicht an Plätzen, an denen Staub oder Späne anfallen.
 - Vor dem Einlagern einer Batterie sind sämtlicher Staub und Späne zu entfernen. Weiterhin ist zu berücksichtigen, dass die Batterie nicht zusammen mit Metallteilen (Schrauben, Nägel, usw.) gelagert werden darf.
2. Achten Sie darauf, dass die Batterie nicht durch einen spitzen Gegenstand, beispielsweise einen Nagel, beschädigt wird. Vermeiden Sie Schläge mit dem Hammer. Treten Sie nicht gegen die Batterie, werfen Sie diese nicht, und vermeiden Sie schwere Stöße.
3. Beschädigte oder verformte Batterien dürfen nicht weiter verwendet werden.
4. Achten Sie auf den richtigen Anschluss der Pole.
5. Schließen Sie die Batterie nicht direkt an Stromsteckdosen oder Zigarettenanzünder im Auto an.
6. Verwenden Sie die Batterie nur für den angegebenen Zweck.
7. Falls die Batterie nach Verstreichen der angegebenen Ladezeit nicht vollständig aufgeladen ist, brechen Sie den Ladevorgang unverzüglich ab.
8. Vermeiden Sie hohe Temperaturen und hohen Druck, wie er beispielsweise in der Mikrowelle, einem Trockner, oder einem Hochdruckbehälter auftritt.
9. Halten Sie die Batterie sofort von offenen Flammen fern, wenn Sie ein Leck oder üblen Geruch feststellen.
10. Vermeiden Sie eine Verwendung an Orten, an denen starke statische Elektrizität erzeugt wird.
11. Werden ein Leck, übler Geruch, Erwärmung, Verfärbungen, Verformungen oder sonstige Anomalitäten während der Verwendung, des Aufladens oder der Lagerung festgestellt, entfernen Sie die Batterie unverzüglich vom Werkzeug oder vom Ladegerät und beenden Sie die Verwendung.
12. Tauchen Sie den Akku nicht ins Wasser und lassen Sie keine Flüssigkeiten ins Innere gelangen. Leitfähige Flüssigkeiten, wie z. B. Wasser, können Schäden verursachen, die zu einem Brand oder einer Explosion führen. Lagern Sie Ihren Akku an einem kühlen, trockenen Ort, fern von brennbaren und entzündlichen Gegenständen. Korrosive Gase in der Atmosphäre müssen gemieden werden.

VORSICHT

1. Tritt die auslaufende Flüssigkeit in Kontakt mit Ihren Augen, reiben Sie diese nicht, sondern waschen Sie sie mit sauberem Leitungswasser gut aus und suchen Sie unverzüglich einen Arzt auf. Ohne sachgemäße Behandlung können Augenverletzungen auftreten.
2. Wenn die ausgelaufene Flüssigkeit auf Haut oder Kleidung trifft, waschen Sie diese unverzüglich mit sauberem Wasser ab. Es besteht die Gefahr von Hautreizungen.
3. Beim Auftreten von Rost, üblem Geruch, Erwärmung, Verfärbungen, Verformungen oder sonstigen Anomalitäten während der ersten Verwendung der Batterie, ist diese nicht weiter zu verwenden. Bringen Sie die Batterie zum Händler oder Verkäufer zurück.

WARNUNG

Wenn ein leitfähiger Fremdkörper in das Gehäuse einer Lithiumionenbatterie eindringt, kann sie kurzgeschlossen und ein Brand verursacht werden. Befolgen Sie beim Lagern einer Lithiumionenbatterie unbedingt folgende Regeln:

- Legen Sie in das Aufbewahrungsetui keine leitfähigen Trümmer, Nägel und Drähte wie etwa Eisen- und Kupferdrähte.
- Laden Sie, damit kein Kurzschluss auftreten kann, die Batterie in das Werkzeug oder schieben Sie sie sicher in die Batteriehülle zum Lagern so weit ein, dass der Ventilator nicht sichtbar ist (**Abb. 2**).

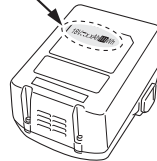
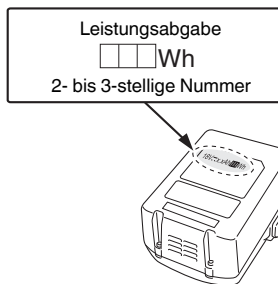
BEZÜGLICH DES TRANSPORTS VON LITHIUM-IONEN-BATTERIEN

Beim Transport von Lithium-Ionen-Batterien beachten Sie bitte die folgenden Vorsichtsmaßnahmen.

WARNUNG

Weisen Sie die Transportfirma darauf hin, dass ein Paket eine Lithium-Ionen-Batterie enthält, informieren Sie das Unternehmen über ihre Leistungsabgabe und befolgen Sie die Anweisungen der Transportfirma, wenn Sie den Transport in die Wege leiten.

- Lithium-Ionen-Batterien, die eine Leistungsabgabe von 100 Wh überschreiten, werden in der Einstufung des Frachtguts als Gefahrgüter angesehen und erfordern spezielle Anwendungsverfahren.
- Für den Transport über Straßen müssen die internationalen Gesetze und die Regeln und Vorschriften des Bestimmungslands eingehalten werden.



BEZEICHNUNG DER TEILE














(Abb. 1 – Abb. 12)

①	Schusskopf (Auslass)
②	Schussvorrichtung
③	LED-Lampe
④	Auslöser
⑤	Haken
⑥	Akku
⑦	Riegel
⑧	Akkuabdeckung
⑨	Anschlüsse
⑩	Lüftungsöffnungen
⑪	Ladegerät
⑫	Nagelkopf
⑬	Nagelschaft
⑭	Nagelspitze
⑮	Magnet
⑯	Magnetisierter Bereich
⑰	Nagel
⑱	Antriebseinheit
⑲	Metallverbindung
⑳	Loch
㉑	Schraube
㉒	Rille
㉓	Zange

SYMBOLS

WARNUNG

Die folgenden Symbole werden für diese Maschine verwendet. Achten Sie darauf, diese vor der Verwendung zu verstehen.

	NH18DSL: Akku-Autohammer
	Der Anwender muss die Bedienungsanleitung lesen, um das Risiko einer Verletzung zu verringern.
	Die Bediener und andere Personen im Arbeitsbereich müssen stets eine Schutzbrille mit seitlichen Abdeckungen tragen.
	Zielen Sie mit dem Werkzeug niemals auf sich selbst oder Andere im Arbeitsbereich.
	Batterie abtrennen
	Nicht auf Gerüsten oder Leitern benutzen.
	Nur für EU-Länder Werfen Sie Elektrowerkzeuge nicht in den Hausmüll! Gemäß der Europäischen Richtlinie 2012/19/EU über Elektro- und Elektronik-Altgeräte und Umsetzung in nationales Recht müssen verbrauchte Elektrowerkzeuge getrennt gesammelt und einer umweltgerechten Wiederverwertung zugeführt werden.
	Gleichstrom
	Gewicht (Gemäß EPTA-Verfahren 01/2014)
	Einschalten ON
	Ausschalten OFF
	Warnung
	Unzulässige Handlung

TECHNISCHE DATEN

1. Akku-Autohammer

Modell	NH18DSL
Spannung	18 V
Anzahl der Schläge	4000 min ⁻¹
Verwendbare Nägel	ø 1,7 – 4,1 mm (Siehe Tabelle 1)*1
Länge der verwendbaren Nägel	25 mm bis 90 mm*1
Gewicht*2	1,3 – 1,9 kg
Abmessungen Höhe x Länge	135 mm x 285 mm (BSL1815)

*1: Gegen Holz: Fichte, Kiefer, Tanne, Zeder

Möglicherweise kann ein Nagel nicht vollständig in hartes Material wie z. B. Hemlocktanne, MDF oder laminiertes Holz eingetrieben werden.

*2: Gewicht: Gemäß EPTA-Verfahren 01/2014. In Abhängigkeit von der angeschlossenen Batterie. Das höchste Gewicht wird mit dem BSL36B18 (separat erhältlich) gemessen.

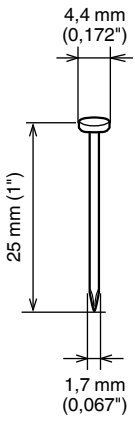
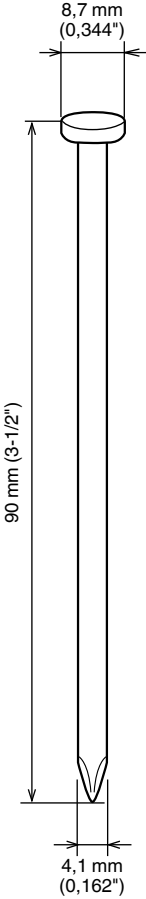
HINWEIS

Aufgrund des ständigen Forschungs- und Entwicklungsprogramms von HiKOKI sind Änderungen der hier gemachten technischen Angaben vorbehalten.

NAGELAUSWAHL

Verwenden Sie Nägel in folgenden Größen für diesen Autohammer.

Tabelle 1

Min.	Max.
 <p>4,4 mm (0,172")</p> <p>25 mm (1")</p> <p>1,7 mm (0,067")</p>	 <p>8,7 mm (0,344")</p> <p>90 mm (3-1/2")</p> <p>4,1 mm (0,162")</p>

WARNUNG

- Verwenden Sie keine Nägel in anderen Größen. Sie könnten die Schussvorrichtung beschädigen oder schräg ausgeschossen werden.
- Achten Sie auf die Größe der Nagelköpfe. Die Größe des Nagelkopfes kann bei handelsüblichen großen Mengen an Nägeln zwischen groß und klein variieren.
- Verwenden Sie keine gehärteten Nägel.

HINWEIS

- Möglicherweise kann ein Nagel nicht vollständig in hartes Material wie z. B. Hemlocktanne, MDF oder laminiertes Holz eingetrieben werden.

Deutsch

STANDARDZUBEHÖR

WARNUNG

- Anderes Zubehör als das unten gezeigte kann zu Fehlfunktionen und daraus resultierenden Verletzungen führen.

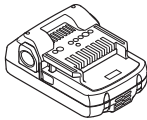


① Augenschutz 1

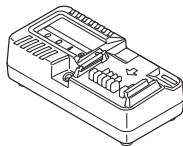
HINWEIS: Das Zubehör kann ohne jede Verpflichtung von HiKOKI verändert werden.

SONDERZUBEHÖR (SEPARAT ZU BEZIEHEN)

1. Akku
 - BSL1815



2. Ladegerät
 - UC18YKSL (Ladespannung: 14,4 V – 18 V)



Details zum Betrieb finden Sie bitte in der Gebrauchsanleitung für das Gegengewichtset.

VERWENDUNG

- Holzmaterialien für allgemeine Konstruktionen, Armaturen, Holzplatten, Rahmenkonstruktionen und Renovierungen

LADEN

Akku und Ladegerät sind nicht im Lieferumfang enthalten. Laden Sie die Akkus nach den Anweisungen in der Bedienungsanleitung des verwendeten Ladegeräts. (Abb. 5)

MONTAGE UND BETRIEB

Aktion	Abbildung	Seite
Einsetzen und Entnehmen des Akkus	3	2
Betätigen des Schalters	4	2
Laden	5	3
Funktion der Schussvorrichtung prüfen*1	6	3
Schießen durch Halten eines Nagels mit dem Magneten*2	7	3
Schießen durch Halten eines Nagels mit den Fingern.*3	8	3
Befestigung eines Nagels an der Metallverbindung*4	9	4

Verwendung des Hakens*5	10	4
Verklebte Nägel entfernen	11	4
Auswahl von Zubehören	—	199

*1 WARNUNG

- Überprüfen Sie, ob sich die Schussvorrichtung bei der Betätigung ungehindert bewegt. Reinigen Sie die Gleitfläche an der Schussvorrichtung, wenn sie nicht ungehindert gleitet.

*2 WARNUNG

- Wenn Sie einen Nagel in die Schussvorrichtung einlegen, halten Sie den Nagelschaft anstelle der Spitze fest.
- Wenn Sie einen Nagel in die Schussvorrichtung laden, achten Sie darauf, dass er nicht auf die Spitze der Antriebseinheit drückt.
- Halten Sie Ihre Finger oder Hände nicht unter die Spitze eines Nagels, wenn Sie einen Nagel in die Schussvorrichtung einlegen.

*3 WARNUNG

- Wenn Sie einen Nagel verschießen und ihn mit den Fingern halten, richten Sie zuerst die Nagelspitze auf das Ziel aus und führen Sie anschließend die Schussvorrichtung in den Nagelkopf ein.

*4 WARNUNG

- Stellen Sie beim Verschießen eines Nagels sicher, dass sich die Spitze des Nagels im Loch der Metallverbindung befindet.

*5 VORSICHT

- Wenn Sie den Haken verwenden, hängen Sie das Elektrowerkzeug sicher auf, damit es nicht versehentlich herunterfällt. Wenn das Elektrowerkzeug herunterfällt, kann es zu einem Unfall kommen.
- Achten Sie darauf, dass der Akku entnommen ist, wenn Sie den Haken benutzen.
- Setzen Sie den Haken sicher ein. Wenn der Haken nicht sicher eingesetzt ist, kann das beim Gebrauch zu Verletzungen führen.

VORSICHT

Betreiben Sie beim Verschießen von Nägeln das Gerät nur kurz und vermeiden Sie kontinuierliche Arbeit. Andernfalls kann es zu einer Fehlfunktion oder einem Austreten von Schmierfett kommen.

WARTUNG UND INSPEKTION

VORSICHT

Nehmen Sie vor Wartungs- und Prüfarbeiten immer den Akku aus dem Autohammer.

WARNUNG

- Trennen Sie den Akku ab und entfernen Sie die Nägel aus dem Autohammer, wenn:
 - 1) Sie Wartungs- und Prüfarbeiten ausführen; und
 - 2) Sie verklebte Nägel entfernen.
- Überprüfen Sie ohne den Akku anzuschließen, ob sich die Schussvorrichtung gleichmäßig bewegt, indem Sie die Spitze gegen ein Material wie z. B. Holz drücken.

1. Verklebte Nägel entfernen (Abb. 11)

- ① Nehmen Sie den Akku aus dem Autohammer.
- ② Entfernen Sie den eingeklemmten Nagel mit einer Zange.
- ③ Wenn sich häufig Nägel im Werkzeug verkleben, wenden Sie sich an ein von HiKOKI autorisiertes Kundendienstzentrum.

2. Prüfung der Schussvorrichtung (Abb. 6)

Reinigen und schmieren Sie regelmäßig den verschiebbaren Teil der Schussvorrichtung und die Hülse.

Überprüfen Sie, ob sich die Schussvorrichtung gleichmäßig bewegt, indem Sie den Autohammer gegen ein Material wie z. B. Holz drücken.

Wenn Eisenpulver oder dergleichen an der magnetisierten Fläche im Innern der Schussvorrichtung haftet, kann die magnetische Haltekraft für einen Nagel vermindert werden. Wischen Sie gelegentlich den Bereich mit einem Tuch oder Klebeband ab.

Entfernen Sie auch das Eisenpulver auf dem Magneten außerhalb der Schussvorrichtung gelegentlich mit einem Tuch oder Klebeband.

Das lässt die Schussvorrichtung reibungslos gleiten.

3. Inspektion der Befestigungsschrauben

Untersuchen Sie regelmäßig alle Befestigungsschrauben und stellen Sie sicher, dass sie richtig festgezogen sind. Sollte sich eine der Schrauben lockern, ziehen Sie sie sofort wieder fest an. Falls dies nicht getan wird, könnte das zu ernsthaften Gefahren führen.

4. Wartung des Motors

Die Wicklung des Motors ist das „Herzstück“ des Elektrowerkzeugs. Wenden Sie die gebotene Sorgfalt auf, um sicherzustellen, dass die Wicklung nicht beschädigt und/oder mit Öl oder Wasser benetzt wird.

5. Außenreinigung

Wenn das Werkzeug schmutzig ist, wischen Sie es mit einem weichen trockenen Tuch oder einem mit Seifenwasser befeuchteten Tuch ab. Kein Chlorlösungsmittel, Benzin oder Farbenverdünner verwenden, da diese Kunststoffe aufweichen.

6. Lagerung

Das Elektrowerkzeug und den Akku an einem Ort mit einer Temperatur von unter 40°C und außerhalb der Reichweite von Kindern lagern.

HINWEIS

Aufbewahren von Lithiumionenbatterien
Vergewissern Sie sich, dass die Lithiumionenbatterien voll aufgeladen sind, bevor Sie sie lagern.

Das Lagern der Akkus über längere Zeit (3 Monate oder mehr) mit einem niedrigen Ladestand kann zu einer Leistungsminderung führen, welche die Nutzungszeit der Akkus deutlich verkürzt oder mit sich bringt, dass die Akkus keine Ladung mehr halten können.

Eine deutliche Verkürzung der Nutzungszeit kann jedoch durch wiederholtes Aufladen und zwei- bis fünfmaliges Benutzen der Akkus wieder behoben werden.

Sollte die Nutzungszeit trotz wiederholtem Aufladen und Benutzung extrem kurz sein, betrachten Sie die Akkus als tot und kaufen Sie neue Akkus.

VORSICHT

Bei Betrieb und Wartung von Elektrowerkzeugen müssen die Sicherheitsvorschriften und Normen beachtet werden.

Wichtiger Hinweis zu den Akkus für Akku-Geräte von HiKOKI

Verwenden Sie immer unsere angegebenen Originalakkus. Wir können die Sicherheit und die Leistung unseres Akku-Gerätes nicht gewährleisten, wenn andere als die von uns angegebenen Akkus verwendet werden, oder wenn der Akku zerlegt und verändert wird (etwa durch Zerlegen und Ersetzen von Zellen oder anderen innen gelegenen Teilen).

GARANTIE

Auf HiKOKI-Elektrowerkzeuge gewähren wir eine Garantie unter Zugrundelegung der jeweils geltenden gesetzlichen und landesspezifischen Bedingungen. Dieses Garantie erstreckt sich nicht auf Schäden, die auf Missbrauch, bestimmungswidrigen Einsatz oder normalen Verschleiß zurückzuführen sind. Im Schadensfall senden Sie das nicht zerlegte Elektrowerkzeug zusammen mit dem GARANTIESCHEIN, den Sie am Ende dieser Bedienungsanleitung finden, an ein von HiKOKI autorisiertes Servicezentrum.

Information über Betriebslärm und Vibration

Die gemessenen Werte wurden entsprechend EN62841 bestimmt und in Übereinstimmung mit ISO 4871 ausgewiesen.

Gemessener A-gewichteter Schallpegel: 107 dB (A)

Gemessener A-gewichteter Schalldruck: 96 dB (A)

Messunsicherheit K: 3 dB (A).

Gehörschutz tragen.

Gesamtvibrationswerte (3-Achsen-Vektorsumme), bestimmt gemäß EN62841.

Vibrationsemissionswert: 15,5 m/s²

Messunsicherheit K = 1,5 m/s²

Der ausgewiesene Gesamtschwingungswert und der angegebene Geräuschemissionswert wurden gemäß eines standardisierten Testverfahrens gemessen und können beim Vergleich eines Werkzeugs mit einem anderen verwendet werden.

Sie können auch für eine Vorabschätzung der Exposition genutzt werden.

WARNUNG

○ Die Schwingungs- und Geräuschemissionen während des tatsächlichen Gebrauchs des Elektrowerkzeugs können vom angegebenen Gesamtwert abweichen, je nachdem, wie das Werkzeug verwendet wird, insbesondere abhängig von der Art des bearbeiteten Werkstücks; und

○ Legen Sie Sicherheitsmaßnahmen zum Schutz des Bedieners fest, die auf einer Expositionseinschätzung unter den tatsächlichen Benutzungsbedingungen beruhen (unter Berücksichtigung aller Bereiche des Betriebszyklus, darunter neben der Triggerzeit auch die Zeiten, in denen das Werkzeug ausgeschaltet ist oder im Leerlaufbetrieb läuft).

HINWEIS

Aufgrund des ständigen Forschungs- und Entwicklungsprogramms von HiKOKI sind Änderungen der hier gemachten technischen Angaben vorbehalten.

AVERTISSEMENTS DE SÉCURITÉ GÉNÉRAUX POUR L'OUTIL

⚠ AVERTISSEMENT

Lire tous les avertissements de sécurité, instructions, illustrations et spécifications donnés avec cet outil électrique.

Le non-respect de toutes les instructions indiquées ci-dessous peut entraîner une électrocution, un incendie et/ou de graves blessures.

Conservé tous les avertissements et toutes les instructions pour pouvoir s'y reporter ultérieurement.

Le terme « outil » dans les avertissements fait référence à l'outil électrique alimenté par le secteur (avec cordon d'alimentation) ou à l'outil fonctionnant sur batterie (sans cordon d'alimentation).

1) Sécurité de la zone de travail

- a) **Conservé la zone de travail propre et bien éclairée.**

Les zones en désordre ou sombres sont propices aux accidents.

- b) **Ne pas faire fonctionner les outils électriques en atmosphère explosive, par exemple en présence de liquides inflammables, de gaz ou de poussières.**

Les outils électriques produisent des étincelles qui peuvent enflammer les poussières ou les fumées.

- c) **Maintenir les enfants et les badauds à l'écart pendant l'utilisation de l'outil.**

Les distractions peuvent faire perdre le contrôle de l'outil à l'utilisateur.

2) Sécurité électrique

- a) **Il faut que les fiches de l'outil électrique soient adaptées au socle. Ne jamais modifier la fiche de quelque façon que ce soit. Ne pas utiliser d'adaptateurs avec des outils à branchement de terre.**

Des fiches non modifiées et des socles adaptés réduiront le risque de décharge électrique.

- b) **Éviter tout contact du corps avec des surfaces reliées à la terre telles que les tuyaux, les radiateurs, les cuisinières et les réfrigérateurs.**

Il existe un risque accru de décharge électrique si le corps de l'utilisateur est relié à la terre.

- c) **Ne pas exposer les outils à la pluie ou à des conditions humides.**

La pénétration d'eau à l'intérieur d'un outil augmentera le risque de décharge électrique.

- d) **Ne pas maltraiter le cordon. Ne jamais utiliser le cordon pour porter, tirer ou débrancher l'outil. Maintenir le cordon à l'écart de la chaleur, du lubrifiant, des arêtes ou des parties en mouvement.**

Des cordons endommagés ou emmêlés augmentent le risque de décharge électrique.

- e) **Lorsqu'on utilise un outil à l'extérieur, il faut utiliser un prolongateur adapté à l'utilisation extérieure.**

L'utilisation d'un cordon adapté à l'utilisation extérieure réduit le risque de décharge électrique.

- f) **Si l'usage d'un outil dans un emplacement humide est inévitable, utiliser une alimentation protégée par un dispositif différentiel à courant résiduel (DDR).**

L'usage d'un DDR réduit le risque de décharge électrique.

3) Sécurité des personnes

- a) **Rester vigilant, regarder ce que l'on est en train de faire et faire preuve de bon sens dans son utilisation de l'outil.**

Ne pas utiliser un outil lorsqu'on est fatigué ou sous l'emprise de drogues, d'alcool ou de médicaments.

Un moment d'inattention en cours d'utilisation d'un outil peut entraîner des blessures graves.

- b) **Utiliser un équipement de sécurité. Toujours porter des verres de protection.**

L'utilisation d'un équipement de protection comme un masque antipoussière, des chaussures de sécurité antidérapantes, un casque de sécurité ou des protections auditives dans des conditions appropriées réduira les risques de blessures corporelles.

- c) **Éviter tout démarrage intempestif. S'assurer que l'interrupteur est en position d'arrêt avant de brancher l'outil au secteur et/ou à la batterie, de le ramasser ou de le porter.**

Porter un outil en ayant le doigt sur l'interrupteur ou brancher un outil dont l'interrupteur est en position de marche est source d'accidents.

- d) **Retirer toute clé de réglage avant de mettre l'outil en marche.**

Une clé laissée fixée sur une partie tournante de l'outil peut donner lieu à des blessures.

- e) **Ne pas se pencher trop loin. Garder une position et un équilibre adaptés à tout moment.**

Cela permet un meilleur contrôle de l'outil dans des situations inattendues.

- f) **S'habiller de manière adaptée. Ne pas porter de vêtements amples ou de bijoux. Gardez vos cheveux et vos vêtements loin des pièces mobiles.**

Les pièces en mouvement peuvent happer les vêtements amples, les bijoux ou les cheveux longs.

- g) **Si des dispositifs sont fournis pour le raccordement d'équipements pour l'extraction et la récupération des poussières, s'assurer qu'ils sont connectés et correctement utilisés.**

Utiliser des collecteurs de poussière peut réduire les risques dus aux poussières.

- h) **La familiarité acquise par une utilisation fréquente des outils ne doit pas vous rendre complaisant et vous faire ignorer les principes de sécurité des outils.**

Un geste imprudent peut causer de graves blessures en une fraction de seconde.

4) Utilisation et entretien de l'outil

- a) **Ne pas forcer l'outil. Utiliser l'outil adapté à l'application souhaitée.**

Si l'on utilise l'outil électrique adéquat en respectant le régime pour lequel il a été conçu, il réalisera un travail de meilleure qualité et plus sûr.

- b) **Ne pas utiliser l'outil si l'interrupteur ne permet pas de passer de l'état de marche à arrêt et vice versa.**

Un outil électrique ne pouvant être contrôlé par l'interrupteur représente un danger et doit être réparé.

- c) **Débrancher la fiche de la source d'alimentation et/ou retirer la batterie de l'outil, si elle est détachable, avant tout réglage, changement d'accessoires ou avant de ranger l'outil.**

Ces mesures de sécurité préventives réduiront les risques de démarrage accidentel de l'outil électrique.

- d) **Après utilisation, ranger l'outil électrique hors de portée des enfants et ne laisser aucune personne l'utiliser si elle n'est pas familiarisée avec les outils électriques ou ces instructions.**

Les outils électriques représentent un danger entre des mains inexpertes.

- e) **Entretien des outils électriques et les accessoires.** Assurez-vous que les pièces en mouvement ne sont pas désalignées ou coincées, qu'aucune pièce n'est cassée ou que l'outil électrique n'a subi aucun dommage pouvant affecter son bon fonctionnement. Si l'outil électrique est endommagé, le faire réparer avant de le réutiliser.
De nombreux accidents sont dus à des outils mal entretenus.
- f) **Garder affûtés et propres les outils permettant de couper.**
Un outil bien entretenu aux bords bien affûtés risquera moins de se coincer et sera plus facile à maîtriser.
- g) **Utiliser l'outil, les accessoires et les lames, etc., conformément à ces instructions, en tenant compte des conditions de travail et du travail à réaliser.**
L'utilisation d'un outil électrique à des fins autres que celles prévues est potentiellement dangereuse.
- h) **Garder les poignées et les surfaces de préhension propres, sèches et exemptes d'huile et de graisse.**
Les poignées et surfaces de préhension glissantes ne permettent pas de manipuler et de contrôler l'outil de manière sûre dans des situations inattendues.

- 6) **Maintenance et entretien**
- a) **Faire entretenir l'outil par un réparateur qualifié utilisant uniquement des pièces de rechange identiques.**
Cela assurera le maintien de la sécurité de l'outil.
- b) **Ne jamais réaliser la maintenance sur des packs batterie endommagés.**
La maintenance des blocs batterie ne doit être réalisée que par le fabricant ou des personnes autorisées.

PRECAUTIONS

Maintenir les enfants et les personnes infirmes éloignés.
Lorsque les outils ne sont pas utilisés, ils doivent être rangés hors de portée des enfants et des personnes infirmes.

AVERTISSEMENTS DE SÉCURITÉ CONCERNANT LE CLOUEUR AUTOMATIQUE SANS FIL

- Toujours supposer que l'outil contient des clous.**
Toute manipulation imprudente du Cloueur automatique peut entraîner un déclenchement inattendu des clous et des préjudices corporels.
- Ne jamais pointer l'outil vers vous ou toute personne se trouvant à proximité.**
Un déclenchement inattendu enclenchera le déchargement du clou et engendrera une blessure.
- Ne jamais actionner l'outil sans l'avoir fermement placé contre la pièce à travailler.**
Si l'outil n'est pas en contact avec la pièce, le clou risque de se plier et d'être dirigé à l'écart de votre cible.
- Débrancher l'outil de sa source d'alimentation si le clou se coince dans l'outil.**
S'il reste branché, le Cloueur automatique risque de se déclencher accidentellement lors du retrait du clou coincé.
- Ne jamais utiliser ce Cloueur automatique pour fixer des câbles électriques.**
Il n'a pas été conçu pour l'installation de câbles électriques, il risque donc d'endommager l'isolation des câbles électriques et d'entraîner une électrocution ou un incendie.
- Porter des protecteurs d'oreilles**
L'exposition au bruit peut engendrer une perte de l'audition.
- Utiliser la ou les poignées auxiliaires si elles sont fournies avec l'outil.**
Toute perte de contrôle peut entraîner des blessures.
- Tenir l'outil à proximité des surfaces de prise isolées pour effectuer toute opération au cours de laquelle l'accessoire tranchant risquerait d'entrer en contact avec un câblage caché.**
Les fixations qui viendraient à entrer en contact avec un fil « sous tension » risquent de transmettre du courant aux pièces métalliques exposées de l'outil « sous tension » et d'électrocuter l'opérateur.

AVERTISSEMENTS DE SÉCURITÉ SUPPLÉMENTAIRES

- Tenir fermement l'outil pendant le fonctionnement.**
Ne pas respecter cette consigne présente un risque d'accident ou de blessures. (Fig. 12)
- La manutention en sécurité est garantie par un usage correcte.**
Cet appareil a été construit pour enfoncer des clous dans du bois ou des matériaux similaires. Utilisez-le seulement pour les emplois désignés.

3. Evitez les inflammations et les explosions.

Vu que des étincelles peuvent se produire, il est dangereux d'utiliser l'appareil à proximité de laques, de couleurs, d'essence, de diluants, de fuel, de gaz, de colles ou d'autres substances inflammables similaires. Dans aucun cas, l'appareil ne doit être utilisé proche de pareils produits inflammables.

4. Protégez vos yeux à l'aide de lunettes de sécurité.



Portez toujours des lunettes de sécurité si vous utilisez l'appareil et assurez que les personnes qui vous entourent en portent aussi. La possibilité que des fragments de clous qui sont mal enfoncés n'endommagent les yeux est un danger pour la vue. Vous trouvez des lunettes de sécurité dans chaque quincaillerie. Portez toujours des lunettes de sécurité ou un masque de sécurité si vous utilisez le cloueur. Les employeurs doivent veiller à ce que l'équipement de protection soit toujours porté.

5. Protégez vos oreilles.

Veillez porter des oreillettes lors de chaque usage du cloueur et veillez à ce que les personnes qui vous entourent en portent aussi.

6. Faites attention aux personnes qui travaillent proche de vous.

Des clous qui sont mal enfoncés représentent un danger pour les personnes qui vous entourent. Veillez toujours à ne pas trop rapprocher votre corps, vos mains ou vos pieds du déclencheur.

7. Ne pointez jamais l'orifice de décharge en direction d'une personne.



Toujours assumer que l'outil contient des clous.

Si l'orifice de décharge est pointé en direction d'une personne, des accidents sérieux peuvent se produire si vous pressez la détente. Lorsque vous connectez ou déconnectez la batterie, pendant le chargement d'un clou ou toute autre opération similaire, assurez-vous que la pointe du clou n'est pas pointée vers quelqu'un (vous compris). Même s'il n'y a pas de clou dans l'outil, il serait dangereux de décharger l'outil tout en le dirigeant vers quelqu'un. Il ne faudra donc pas le faire.

Ne jamais s'amuser avec l'outil. Le cloueur est un instrument de travail. Le respecter en tant que tel.

8. Vérifier la tige avant utilisation.

S'assurer du bon fonctionnement de la tige. Ne jamais utiliser le Cloueur automatique à moins que la tige fonctionne correctement. Dans le cas contraire, le Cloueur automatique risque d'enfoncer un clou de façon inattendue. Ne jamais modifier ou retirer la tige, au risque que la tige ne devienne inutilisable.

9. Utilisez seulement des clous spécifiés.

Utilisez exclusivement les produits de fixation indiqués dans le manuel de manutention.

10. Etre prudent en branchant la batterie.

Pour assurer qu'aucun clou n'est tiré lors du branchement de la batterie et du chargement des clous, respecter les instructions suivantes.

- ne touchez pas la détente.
- évitez de toucher l'orifice de décharge.
- pointez l'orifice de décharge vers le bas.

Respectez rigoureusement les instructions ci-dessus et ne placez jamais vos mains, jambes ou toute partie de votre corps en face de l'orifice de décharge.

11. Ne touchez pas imprudemment la détente.

Ne posez pas votre doigt sur la détente si vous ne clouez pas. Si vous portez l'appareil ou si vous le passez à une autre personne tout en gardant le doigt sur la détente, vous pouvez causer un accident.

12. Pressez l'orifice de décharge fortement contre le matériel à fixer.

En enfonçant des clous, pressez l'orifice de décharge fortement contre le matériel à fixer. Si l'orifice est mal posé, les clous peuvent rebondir.

13. Eloigner les mains et les pieds de la tête de clouage pendant l'utilisation.



Il serait très dangereux qu'un clou frappe les mains ou les pieds par erreur.

14. Evitez les contrecoups du cloueur.

Evitez d'approcher le haut du cloueur avec la tête pendant que vous clouez. Ceci est dangereux puisque l'appareil peut reculer violemment touchant un ancien clou enfoncé ou un nœud dans le bois.

15. Soyez prudents en clouant des planches minces ou les bords du bois.

En clouant des planches minces ou les bords du bois, les clous peuvent passer à travers ou être déviés. Dans ces cas, assurez-vous qu'il n'y a personne derrière le panneau ou proche du bois que vous êtes en train de clouer.

16. Il est dangereux de clouer simultanément sur les deux côtés d'un mur.

Il faut absolument éviter de clouer en même temps sur les deux côtés d'un mur puisque les clous peuvent passer à travers et causer ainsi de blessures.

17. Ne pas utiliser l'outil électrique sur des échafaudages ou des échelles.

Ne pas utiliser l'outil pour des applications spécifiques, par exemple:

- lorsque le changement d'une position de clouage fait intervenir l'utilisation d'échafaudages, d'escaliers, d'échelles ou de toute autre construction de type échelle, par ex. des lattes de pied,
- la fermeture de boîtes ou de caisses,
- la fixation de systèmes de sécurité, par ex. sur des véhicules ou des wagons

18. Retirer tous les clous restants et la batterie du Cloueur automatique lors de :

- 1) entretien et inspection ;
- 2) la vérification du bon fonctionnement de la tige et du déclencheur ;
- 3) suppression d'un bourrage ;
- 4) non utilisation ;
- 5) sortie de la zone de travail ;
- 6) transport vers un autre endroit ; et
- 7) transmission de l'outil à une autre personne.

Ne jamais tenter d'éliminer un bourrage ou de réparer le Cloueur automatique, à moins d'avoir préalablement enlevé la batterie et tous les clous restants du Cloueur automatique.

Ne jamais laisser le Cloueur automatique sans surveillance, dans la mesure où des personnes inexpérimentées risquent de l'utiliser et de se blesser.

19. Ne jamais utiliser d'essence ou d'autres liquides inflammables pour nettoyer l'outil électrique.

Si de la vapeur provenant d'un liquide inflammable venait à pénétrer dans l'outil électrique, les étincelles produites lors de l'agrafage risquent de provoquer une explosion.

20. L'environnement de fonctionnement de cet appareil se situe entre 0°C et 40°C ; veiller à l'utiliser dans cet intervalle de températures. L'appareil est susceptible de mal fonctionner à une température inférieure à 0°C ou supérieure à 40°C.

21. Ne JAMAIS laisser d'aimants (ou appareils magnétiques similaires) à proximité du Cloueur automatique, car ce dernier est doté d'un aimant à l'intérieur.

Cela risque de provoquer une panne ou un risque de blessures par dysfonctionnement.

22. **Repos de l'appareil après un travail continu.**
23. **L'outil électrique est équipé d'un circuit de protection thermique pour protéger le moteur. Une utilisation en continu risque de provoquer une augmentation de la température de l'appareil et d'activer le circuit de protection thermique, ainsi que d'arrêter automatiquement le fonctionnement. Dans ce cas, laissez l'appareil électrique refroidir avant de reprendre l'utilisation.**
24. **Ce produit peut cesser de fonctionner lorsqu'une anomalie est détectée.**
25. **Ne jamais regarder directement en direction de la lumière.** Cela pourrait provoquer des lésions oculaires. Essuyer toute poussière ou saleté située sur la lentille du témoin DEL avec un chiffon doux, en veillant à ne pas rayer l'objectif.
La présence de rayures sur la lentille du témoin DEL peut entraîner une baisse de la luminosité.

2. En cas de surcharge de l'outil, le moteur peut s'arrêter. Dans ce cas, relâcher le commutateur de l'outil et éliminer les causes de la surcharge. Vous pouvez ensuite recommencer à utiliser l'outil.
3. En cas de surchauffe due à un travail trop intensif, l'alimentation de la batterie peut se couper. Dans ce cas, arrêter toute utilisation de la batterie et la laisser refroidir. Vous pouvez ensuite recommencer à utiliser l'outil.

En outre, respecter la précaution et l'avertissement suivants.

AVERTISSEMENT

Afin d'éviter toute fuite de la batterie, génération de chaleur, émission de fumée, explosion et inflammation, respecter scrupuleusement les précautions suivantes :

1. S'assurer que les copeaux et la poussière ne s'accablent pas sur la batterie.
- Pendant la tâche, s'assurer que les copeaux et la poussière ne tombent pas sur la batterie.
- S'assurer que les copeaux et la poussière qui tombent sur l'outil lors de la tâche ne s'accablent pas sur la batterie.
- Ne pas conserver une batterie inutilisée dans un endroit qui est exposé aux copeaux et à la poussière.
- Avant de stocker une batterie, retirer tous les copeaux et la poussière qui ont pu y adhérer et ne pas la ranger avec des pièces métalliques (vis, clous, etc.).
2. Ne pas percer la batterie à l'aide d'un objet pointu tel qu'un clou. Ne pas la frapper à l'aide d'un marteau. Ne pas marcher dessus, ni la lancer ou la soumettre à un choc physique important.
3. Ne pas utiliser une batterie dont l'extérieur est déformé ou laisse penser qu'elle est défectueuse.
4. Ne pas insérer la batterie à l'envers (pôles inversés).
5. Ne pas raccorder directement la batterie à une prise électrique ou à un allume-cigare.
6. Ne pas utiliser la batterie à d'autres fins que celle spécifiée.
7. En cas d'échec du chargement d'une batterie, même après un certain délai, arrêter immédiatement le rechargement.
8. Ne pas exposer la batterie à des températures ou une pression élevées (four à micro-ondes, séchoir, conteneur sous haute pression).
9. Maintenir la batterie à l'écart de toute flamme en cas de détection d'une fuite ou d'une mauvaise odeur.
10. Ne pas utiliser à proximité d'une source puissante d'électricité statique.
11. En cas de fuite de la batterie, de mauvaise odeur, de génération de chaleur, de décoloration, de déformation ou d'anomalie en cours d'utilisation, de rechargement ou d'entreposage, ôter immédiatement la batterie de l'équipement ou du chargeur de batterie et cesser de l'utiliser.
12. N'immergez pas la batterie ou ne laissez aucun liquide couler à l'intérieur. La pénétration de liquide conducteur, tel que de l'eau, peut provoquer des dégâts et entraîner un incendie ou une explosion. Rangez la batterie dans un endroit frais et sec, et à distance de tout objet inflammable. Les atmosphères à gaz corrosifs doivent être évitées.

ATTENTION

1. En cas de projection dans les yeux de liquide ayant fui de la batterie, ne pas se frotter les yeux, les rincer à l'eau claire et contacter immédiatement un médecin.
En l'absence de traitement, le liquide peut provoquer des lésions oculaires.
2. En cas de projection de liquide ayant fui de la batterie sur la peau ou les vêtements, rincer immédiatement ces derniers à l'eau claire (au robinet).
Le liquide peut provoquer une irritation de la peau.

PRÉCAUTIONS POUR LA BATTERIE ET LE CHARGEUR

1. **Chargez toujours la batterie à une température de 0–40°C.**
Une température inférieure à 0°C entraînera une surcharge dangereuse.
La batterie ne peut pas être chargée à une température supérieure à 40°C.
Le température la plus appropriée serait de 20–25°C.
2. **N'utilisez pas le chargeur continuellement.**
Quand une charge a été effectuée, laissez le chargeur au repos pendant environ 15 minutes avant de commencer la prochaine charge de batterie.
3. **Ne laissez pas de corps étrangers pénétrer par le trou de raccord de la batterie rechargeable.**
4. **Ne désassemblez jamais la batterie rechargeable et le chargeur.**
5. **Ne court-circuitez jamais la batterie rechargeable.**
Le fait de court-circuiter la batterie générera un courant électrique élevé et une surchauffe, ce qui entraînera la brûlure ou l'endommagement de la batterie.
6. **Ne jetez pas la batterie au feu.**
Elle pourrait exploser.
7. **L'utilisation d'une batterie usagée endommagera le chargeur.**
8. **Apportez la batterie au magasin où vous l'avez achetée dès que la durée de vie de post-charge de la batterie devient trop courte pour une utilisation pratique.**
Ne jetez pas de batterie usagée.
9. **Ne pas introduire d'objets dans les fentes d'aération du chargeur.**
L'insertion d'objets métalliques ou de produits inflammables dans les fentes d'aération du chargeur provoquera un risque de choc électrique ou endommagera le chargeur.

PRÉCAUTIONS RELATIVES À LA BATTERIE AU LITHIUM ION

Pour prolonger sa durée de vie, la batterie lithium-ion est équipée d'une fonction de protection qui coupe automatiquement l'alimentation.

Dans les cas 1 à 3 décrits ci-dessous, il est possible que le moteur s'arrête lors de l'utilisation de ce produit, même si le commutateur est actionné. Il ne s'agit pas d'un dysfonctionnement, mais du fonctionnement normal de la protection.

1. Lorsque la charge restante de la batterie diminue, le moteur s'arrête.
Dans ce cas de figure, charger immédiatement la batterie.

Français

3. En cas de détection de rouille, de mauvaise odeur, de surchauffe, de décoloration, de déformation et/ou autres anomalies lors de la première utilisation de la batterie, ne pas utiliser cette dernière et la renvoyer au fournisseur ou au fabricant.

AVERTISSEMENT

Si des corps étrangers conducteurs s'introduisent dans la borne de la batterie lithium-ion, un court-circuit peut se produire dans la batterie et provoquer un incendie. Lors du stockage d'une batterie lithium-ion, veiller à suivre scrupuleusement les instructions suivantes.

- Ne pas placer de débris conducteurs, de clous ou de morceaux de fils électriques en fer ou en cuivre dans le boîtier de rangement.
- Pour éviter tout court-circuit, charger la batterie dans l'outil ou insérer le couvercle de la batterie à fond, de manière à ne plus voir le ventilateur (Fig. 2).

12	Tête de clou
13	Axe de clous
14	Pointe de clou
15	Aimant
16	Zone aimantée
17	Clou
18	Unité d'entraînement
19	Joint métallique
20	Trou
21	Vis
22	Rainure
23	Pincés

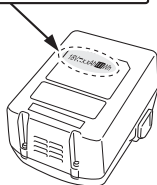
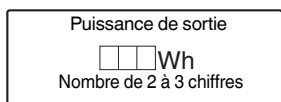
À PROPOS DU TRANSPORT DE LA BATTERIE LITHIUM-ION

Lors du transport d'une batterie lithium-ion, veuillez observer les précautions suivantes.

AVERTISSEMENT

Informez la société de transport qu'un paquet contient une batterie lithium-ion, informez la société de sa puissance de sortie et suivez les instructions de la société de transport lors de l'organisation du transport.

- Les batteries lithium-ion qui dépassent une puissance de sortie de 100 Wh font partie de la classification de transport des produits dangereux et nécessitent l'application de procédures spéciales.
- Pour un transport vers l'étranger, vous devez vous conformer aux lois internationales et aux normes et réglementations en vigueur dans le pays de destination.



NOMS DES PIÈCES (Fig. 1 – Fig. 12)

①	Tête de déclenchement (sortie)
②	Tige
③	Témoïn DEL
④	Déclencheur
⑤	Crochet
⑥	Batterie
⑦	Loquet
⑧	Couvercle de la batterie
⑨	Bornes
⑩	Trous de ventilation
⑪	Chargeur

SYMBOLES

AVERTISSEMENT

Les symboles suivants sont utilisés pour l'outil. Bien se familiariser avec leur signification avant d'utiliser l'outil.

	NH18DSL: Cloueur automatique sans fil
	Pour réduire les risques de blessures, l'utilisateur doit lire le manuel d'utilisation.
	Les opérateurs et toutes les autres personnes se trouvant dans la zone de travail doivent porter des lunettes de sécurité munies d'écrans latéraux.
	Ne jamais pointer l'outil vers soi ou vers les autres personnes qui se trouvent dans la zone de travail.
	Débrancher la batterie
	Ne pas utiliser sur des échafaudages, échelles.
	Pour les pays européens uniquement Ne pas jeter les appareils électriques dans les ordures ménagères ! Conformément à la directive européenne 2012/19/UE relative aux déchets d'équipements électriques ou électroniques (DEEE), et à sa transposition dans la législation nationale, les appareils électriques doivent être collectés à part et être soumis à un recyclage respectueux de l'environnement.
	Courant direct
	Poids (Selon la procédure EPTA 01/2014)
	Mise en marche
	Mise hors tension
	Avvertissement
	Action interdite

SPÉCIFICATIONS

1. Cloueur automatique sans fil

Modèle	NH18DSL
Tension	18 V
Nombre de coups	4000 min ⁻¹
Clou applicable	ø1,7 – 4,1 mm (Voir le Tableau 1)*1
Longueur de clou applicable	25 mm à 90 mm*1
Poids*2	1,3 – 1,9 kg
Dimension Hauteur x Longueur	135 mm x 285 mm (BSL1815)

*1: Bois en opposition : SPF, Cèdre

Peut ne pas être en mesure d'enfoncer complètement un clou dans des matériaux durs comme l'épinette de pruche, le MDF ou le bois lamellé.

*2: Poids : Selon la procédure EPTA 01/2014. Selon la batterie jointe. Le poids le plus lourd est mesuré avec BSL36B18 (vendue séparément).

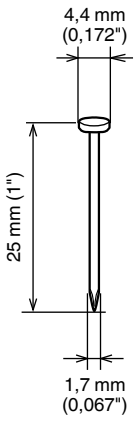
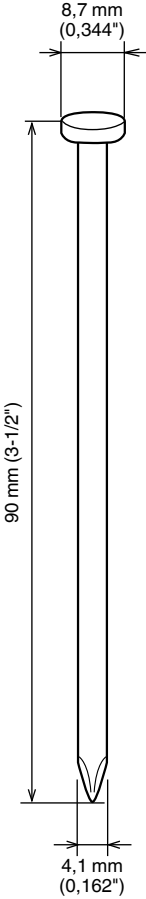
REMARQUE

Par suite du programme permanent de recherche et de développement HiKOKI, ces spécifications peuvent faire l'objet de modifications sans avis préalable.

SÉLECTION DE CLOU

Utiliser les tailles suivantes de clous pour ce Cloueur automatique.

Tableau 1

Min.	Max.
 <p>4,4 mm (0,172")</p> <p>25 mm (1")</p> <p>1,7 mm (0,067")</p>	 <p>8,7 mm (0,344")</p> <p>90 mm (3-1/2")</p> <p>4,1 mm (0,162")</p>

AVERTISSEMENT

- Ne jamais utiliser d'autres tailles de clous. Ils risqueraient d'endommager la tige ou d'être lancés de manière inclinée.
- Faire attention à la taille des têtes de clous. Il existe diverses tailles de têtes de clous (grandes et petites) vendues en vrac dans le commerce.
- Ne jamais utiliser de clous durcis.

REMARQUE

- Peut ne pas être en mesure d'enfoncer complètement un clou dans des matériaux durs comme l'épinette de pruche, le MDF ou le bois lamellé.

ACCESSOIRES STANDARD

AVERTISSEMENT

- L'utilisation d'accessoires autres que ceux indiqués ci-après peut entraîner un dysfonctionnement de l'appareil et causer des blessures.

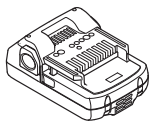


- ① Protection oculaire..... 1

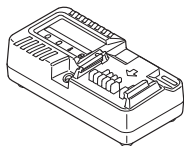
REMARQUE: les accessoires sont sujets à des changements sans aucune obligation de la part de HIKOKI.

ACCESSOIRES SUR OPTION (VENDUS SÉPARÉMENT)

1. Batterie
○ BSL1815



2. Chargeur
○ UC18YKSL (Tension de charge: 14,4 V – 18 V)



Les accessoires à option sont sujets à changement sans préavis.

APPLICATIONS

- Matériaux en bois dans les constructions générales, accessoires, terrasses en bois, charpentes et rénovations

CHARGE

La batterie et le chargeur de batterie ne sont pas fournis avec ce produit.

Le chargement des batteries rechargeables doit être effectué conformément aux instructions de manipulation du chargeur que vous utilisez. (Fig. 5)

INSTALLATION ET FONCTIONNEMENT

Action	Figure	Page
Insertion et retrait de la batterie	3	2
Fonctionnement du commutateur	4	2
Charge	5	3
Vérification du fonctionnement des tiges* 1	6	3
Tir en tenant un clou avec l'aimant*2	7	3
Tir en tenant un clou avec les doigts.*3	8	3

Fixation d'un clou sur le joint métallique*4	9	4
En utilisant le crochet*5	10	4
Élimination d'un bourrage	11	4
Sélection des accessoires	—	199

*1 AVERTISSEMENT

- Veiller à ce que la tige glisse sans problème lorsqu'elle est actionnée. Nettoyer la zone de glissement sur la tige si elle ne glisse pas sans problème.

*2 AVERTISSEMENT

- Lors du chargement d'un clou dans la tige, maintenir l'axe du clou plutôt que la pointe.
- Lors du chargement d'un clou dans la tige, veiller à ce qu'il n'appuie pas sur l'extrémité de l'unité d'entraînement.
- Lors du chargement d'un clou dans la tige, ne jamais placer vos doigts ou vos mains en-dessous de la pointe d'un clou.

*3 AVERTISSEMENT

- Lors d'un tir de clou en le maintenant avec les doigts, placer tout d'abord la pointe du clou sur une cible, puis insérer la tige dans la tête du clou.

*4 AVERTISSEMENT

- Lors d'un tir de clou, veiller à ce que la pointe du clou ne se trouve pas dans le trou du joint en métallique.

*5 ATTENTION

- Lors de l'utilisation du crochet, accrocher fermement l'outil électrique de manière à ce qu'il ne puisse pas tomber accidentellement. Si l'outil électrique tombe, il risque de provoquer un accident.
- S'assurer de bien retirer la batterie lors de l'utilisation du crochet.
- Installer fermement le crochet. Si le crochet n'est pas correctement installé, cela pourrait provoquer des blessures pendant son utilisation.

ATTENTION

Lors d'un tir de clou, faites fonctionner pendant une courte période et évitez un travail continu. Le non-respect de cette consigne risque de provoquer une défaillance ou des fuites de graisse.

ENTRETIEN ET INSPECTION

ATTENTION

Ne pas oublier de retirer la batterie du Cloueur automatique avant de procéder à l'entretien et au contrôle.

AVERTISSEMENT

- Débrancher la batterie et retirer les clous du Cloueur automatique lors de :
 - 1) l'entretien et l'inspection ; et
 - 2) l'élimination d'un bourrage.
- Sans connecter la batterie, vérifier si la tige se déplace régulièrement en appuyant la pointe de la tige contre un matériau comme du bois.

1. Élimination d'un bourrage (Fig. 11)

- ① Retirer la batterie du Cloueur automatique.
- ② Retirer le clou coincé à l'aide d'une pince.
- ③ En cas de bourrages fréquents, contacter un centre de service agréé de HIKOKI.

2. Inspection de la tige (Fig. 6)

Nettoyer et lubrifier périodiquement les parties coulissantes de la tige et de la douille. Vérifier si la tige se déplace régulièrement en appuyant le Cloueur automatique contre un matériau comme du bois.

Français

Lorsque des poudres de fer ou autres similaires adhèrent à la zone magnétisée à l'intérieur de la tige, il se peut que la capacité de maintien magnétique d'un clou soit réduite. Nettoyer la zone avec un chiffon ou un ruban adhésif parfois.

Retirer également la poudre de fer sur l'aimant à l'extérieur de la tige avec un chiffon ou un ruban adhésif parfois.

Cela permet d'avoir un fonctionnement plus régulier de la tige.

3. Vérification des vis de fixation

Vérifier régulièrement toutes les vis de fixation et s'assurer qu'elles sont bien serrées. S'il advient qu'une vis se desserre, la resserrer immédiatement. Le fait de négliger ce point pourrait entraîner de graves dangers.

4. Entretien du moteur

Le bobinage de l'ensemble moteur est le « cœur » même de l'outil électrique. Veiller soigneusement à ce que ce bobinage ne soit pas endommagé et/ou mouillé par de l'huile ou de l'eau.

5. Nettoyage de l'extérieur

Quand l'outil électrique est sale, l'essuyer avec un chiffon sec et doux ou un chiffon imbibé d'eau savonneuse. Ne pas utiliser de solvant au chlore, d'essence ou de diluant, car ils font fondre les matières plastiques.

6. Rangement

Ranger l'outil électrique et la batterie dans un endroit où la température est inférieure à 40°C et hors de portée des enfants.

REMARQUE

Stockage des batteries au lithium-ion.

S'assurer que les batteries au lithium-ion ont été entièrement chargées avant de les stocker.

Le stockage prolongé (3 mois ou plus) de batteries faiblement chargées peut entraîner une détérioration des performances, réduisant considérablement la durée d'autonomie des batteries alors incapables de tenir une charge.

Il est cependant possible de recouvrer la capacité d'autonomie d'une batterie considérablement endommagée en alternant deux à cinq fois charge et utilisation.

Si la durée d'autonomie de la batterie reste extrêmement courte malgré les charges et utilisations consécutives, considérer la batterie en fin de vie et s'en procurer une neuve.

ATTENTION

Lors de l'utilisation et de l'entretien d'un outil électrique, respecter les règlements et les normes de sécurité en vigueur dans le pays en question.

Avis important sur les batteries pour outils électriques sans fil HiKOKI

Toujours utiliser une de nos batteries originales spécifiées. Nous ne saurions garantir la sécurité et la performance de notre outil électrique sans fil s'il est utilisé avec une batterie autre que celle que nous avons spécifiée, ou encore si la batterie est démontée et modifiée (par exemple, le démontage et remplacement des cellules ou autres composants internes).

GARANTIE

Nous garantissons que l'ensemble des outils électriques HiKOKI sont conformes aux réglementations spécifiques statutaires/nationales. Cette garantie ne couvre pas les défauts ni les dommages inhérents à une mauvaise utilisation, une utilisation abusive ou l'usure et les dommages normaux. En cas de réclamation, veuillez envoyer l'outil électrique, en l'état, accompagné du CERTIFICAT DE GARANTIE qui se trouve à la fin du mode d'emploi, dans un service après-vente HiKOKI agréé.

Au sujet du bruit et des vibrations

Les valeurs mesurées ont été déterminées en fonction de la norme EN62841 et déclarées conformes à ISO 4871.

Niveau de puissance sonore pondérée A: 107 dB (A)

Niveau de pression acoustique pondérée A: 96 dB (A)

Incertitude K: 3 dB (A)

Porter des protections anti-bruit.

Valeurs totales des vibrations (somme vectorielle triaxiale) déterminées conformément à EN62841.

Valeur d'émission de vibration: 15,5 m/s²

Incertitude K = 1,5 m/s²

La valeur totale déclarée des vibrations et la valeur déclarée des émissions sonores ont été mesurées conformément à une méthode de test normalisée et peuvent être utilisées pour comparer un outil avec un autre.

Elles peuvent également être utilisées dans une évaluation préliminaire de l'exposition.

AVERTISSEMENT

- Les vibrations et les émissions sonores lors de l'utilisation réelle de l'outil électrique peuvent différer de la valeur totale déclarée en fonction de la manière dont l'outil est utilisé, en particulier du type de pièce à usiner ; et
- Identifier les mesures de protection de l'utilisateur fondées sur une estimation de l'exposition en conditions d'utilisation (tenant compte de tous les aspects du cycle d'utilisation, tels que les moments où l'outil est mis hors tension ou lorsqu'il tourne à vide en plus des temps de déclenchements).

REMARQUE

Par suite du programme permanent de recherche et de développement HiKOKI, ces spécifications peuvent faire l'objet de modifications sans avis préalable.

AVVERTIMENTI GENERALI DI SICUREZZA SUGLI UTENSILI ELETTRICI

⚠ AVVERTENZA

Leggere tutti gli avvertimenti di sicurezza, le istruzioni e le specifiche in dotazione con il presente utensile elettrico.

La mancata osservanza di tutte le istruzioni elencate di seguito può provocare scosse elettriche, incendio e/o lesioni gravi.

Salvare tutti gli avvertimenti e le istruzioni per riferimenti futuri.

Il termine "elettroutensili" riportato nelle avvertenze si riferisce agli elettroutensili azionati con alimentazione di rete (via cavi) o a batterie (senza cavi).

1) Sicurezza dell'area operativa

a) Mantenere l'area operativa pulita e ordinata.

Aree operative sporche o disordinate possono favorire gli infortuni.

b) Non utilizzare gli elettroutensili in atmosfere esplosive, ad es. in presenza di liquidi, gas o polveri infiammabili.

Gli elettroutensili generano delle scintille che potrebbero accendere la polvere o i fumi.

c) Tenere lontani bambini e astanti durante l'utilizzo degli elettroutensili.

Qualsiasi distrazione può essere causa di perdita di controllo.

2) Sicurezza elettrica

a) Le spine degli elettroutensili devono essere idonee alle prese disponibili. Non modificare mai le prese. Con gli elettroutensili a massa (messi a terra), non utilizzare alcun adattatore.

L'utilizzo di spine intatte e corrispondenti alle prese disponibili ridurrà il rischio di scosse elettriche.

b) Evitare qualsiasi contatto con le superfici a massa o a terra, quali tubi, radiatori, fornelli e frigoriferi.

In caso di messa a terra o massa del corpo, sussiste un maggior rischio di scosse elettriche.

c) Non esporre gli elettroutensili alla pioggia o all'umidità.

La penetrazione di acqua negli elettroutensili aumenterà il rischio di scosse elettriche.

d) Non tirare il cavo. Non utilizzarlo per il trasporto, o per tirare o scollegare l'elettroutensile.

Tenere il cavo lontano da fonti di calore, oli, bordi appuntiti o parti in movimento.

Cavi danneggiati o attorcigliati possono aumentare il rischio di scosse elettriche.

e) Durante l'uso degli elettroutensili all'esterno, utilizzare una prolunga idonea per usi esterni.

L'utilizzo di cavi per esterno riduce il rischio di scosse elettriche.

f) Se è impossibile evitare l'impiego di un elettroutensile in un luogo umido, utilizzare l'alimentazione protetta da un dispositivo a corrente residua (RCD).

L'uso di un RCD riduce il rischio di scosse elettriche.

3) Sicurezza personale

a) Durante l'uso degli elettroutensili, state all'erta, verificate ciò che state eseguendo e adottate sempre il buon senso.

Non utilizzate gli elettroutensili qualora siate stanchi, sotto l'influenza di farmaci, alcol o cure mediche.

Anche un attimo di disattenzione durante l'uso degli elettroutensili potrebbe essere causa di gravi lesioni personali.

b) Indossate l'attrezzatura di protezione personale. Indossate sempre le protezioni oculari.

L'attrezzatura protettiva, quali maschera facciale, calzature di sicurezza antiscivolo, caschi o protezioni uditive, utilizzata nelle condizioni appropriate, ridurrà il rischio di lesioni personali.

c) Impedite le accensioni involontarie. Prima del collegamento a una sorgente di alimentazione e/o pacco batteria e prima di raccogliere o trasportare l'utensile, verificate che l'interruttore sia posizionato su OFF.

Il trasporto degli elettroutensili tenendo le dita sull'interruttore o l'attivazione elettrica degli utensili che hanno l'interruttore su ON, implica il rischio di incidenti.

d) Prima di attivare l'elettroutensile, rimuovete qualsiasi chiave di regolazione.

Lasciando la chiave in un componente in rotazione dell'elettroutensile, sussiste il rischio di lesioni personali.

e) Mantenersi in equilibrio. Mantenersi sempre su due piedi, in equilibrio stabile.

Ciò consente di controllare al meglio l'elettroutensile in caso di situazioni impreviste.

f) Vestirsi in modo adeguato. Non indossare abiti larghi o gioielli. Tenere i capelli e gli abiti lontani dalle parti in movimento.

Abiti allentati, gioielli e capelli lunghi potrebbero impigliarsi nelle parti in movimento.

g) In caso di dispositivi provvisti di collegamento ad apparecchiature di rimozione e raccolta polveri, verificare che queste siano collegate e utilizzate in modo adeguato.

L'utilizzo della raccolta della polvere può ridurre i rischi connessi alle polveri.

h) Non lasciare che la familiarità acquisita con l'uso frequente di strumenti consenta di diventare troppo sicuri di sé e ignorare i principi di sicurezza dello strumento.

Un'azione disattenta può causare gravi lesioni in una frazione di secondo.

4) Utilizzo e manutenzione degli elettroutensili

a) Non utilizzare elettroutensili non idonei. Utilizzare l'elettroutensile idoneo alla propria applicazione.

Utilizzando l'elettroutensile corretto, si garantirà un'esecuzione migliore e più sicura del lavoro, alla velocità di progetto.

b) Non utilizzare l'elettroutensile qualora non sia possibile accenderlo/spengerlo tramite l'interruttore.

È pericoloso utilizzare elettroutensili che non possano essere azionati dall'interruttore. Provvedere alla relativa riparazione.

c) Prima di effettuare qualsiasi regolazione, sostituire gli accessori o riporre gli utensili elettrici, scollegare la spina dalla presa elettrica e/o rimuovere il pacco batteria, se staccabile, dall'utensile elettrico.

Queste misure di sicurezza preventive riducono il rischio di avvio involontario dell'elettroutensile.

d) Depositare gli elettroutensili non utilizzati lontano dalla portata dei bambini ed evitare che persone non esperte di elettroutensili o non a conoscenza di quanto riportato sulle presenti istruzioni azionino l'elettroutensile.

È pericoloso consentire che utenti non esperti utilizzino gli elettroutensili.

- e) **Manutenzione di utensili elettrici e accessori.** Verificare che non vi siano componenti in movimento disallineati o bloccati, componenti rotti o altre condizioni che potrebbero influenzare negativamente il funzionamento dell'utensile elettrico. In caso di guasti, provvedere alla riparazione dell'elettrodomestico prima di riutilizzarlo.
Molti incidenti sono causati da una scarsa manutenzione.
- f) **Mantenere gli strumenti di taglio affilati e puliti.** Gli strumenti di taglio in condizioni di manutenzione adeguata, con bordi affilati, sono meno soggetti al bloccaggio e sono più facilmente controllabili.
- g) **Utilizzare l'elettrodomestico, gli accessori, le punte, ecc. in conformità a quanto riportato nelle presenti istruzioni, tenendo in debita considerazione le condizioni operative e il tipo di lavoro da eseguire.**
L'uso dell'utensile elettrico per operazioni diverse da quelle previste potrebbe causare una situazione pericolosa.
- h) **Tenere le maniglie e le superfici di presa asciutte, pulite e libere da olio e grasso.** Maniglie e superfici di presa scivolose non consentono una movimentazione e un controllo sicuri dell'utensile in situazioni impreviste.
- 5) **Utilizzo e cura dell'utensile batteria**
- a) **Ricaricare solo con il caricatore specificato dal produttore.**
Un caricatore adatto per un tipo di gruppo batteria può creare un rischio di incendio quando viene utilizzato con un altro gruppo batteria.
- b) **Usare utensili elettrici con gruppi batteria specificatamente designati.**
L'utilizzo di qualsiasi altro gruppo batteria può creare un rischio di lesioni e incendi.
- c) **Quando il gruppo batteria non viene utilizzato, tenerlo lontano da altri oggetti metallici come graffette, monete, chiavi, chiodi, viti, o altri piccoli oggetti metallici che possono creare una connessione da un terminale a un altro.**
Cortocircuitare i terminali della batteria insieme può causare ustioni o incendi.
- d) **In condizioni abusive, del liquido può fuoriuscire dalla batteria; evitare il contatto. Se il contatto si verifica accidentalmente, sciacquare con acqua. Se il liquido entra a contatto con gli occhi, richiedere assistenza medica.**
Il liquido che fuoriesce dalla batteria può causare irritazioni o ustioni.
- e) **Non utilizzare un pacco batteria o un utensile danneggiato o modificato.**
Le batterie danneggiate o modificate potrebbero presentare comportamenti imprevedibili, con la conseguenza di incendi, esplosioni o rischio di lesioni.
- f) **Non esporre un pacco batteria o un utensile a fiamme o temperatura eccessiva.**
L'esposizione a fiamme o temperatura oltre i 130°C potrebbe causare un'esplosione.
- g) **Seguire tutte le istruzioni per la ricarica e non caricare il pacco batteria o l'utensile al di fuori dell'intervallo di temperatura specificato nelle istruzioni.**
La ricarica scorretta o a temperature al di fuori dell'intervallo specificato potrebbe danneggiare la batteria e aumentare il rischio di incendi.
- 6) **Assistenza**
- a) **Affidate le riparazioni dell'elettrodomestico a persone qualificate che utilizzino solamente parti di ricambio identiche.**
Ciò garantirà il mantenimento della sicurezza dell'elettrodomestico.
- b) **Non eseguire mai assistenza sui pacchi batteria danneggiati.**
L'assistenza dei pacchi batteria deve essere eseguita solo dal produttore o da personale di assistenza autorizzato.
- PRECAUZIONI**
Tenere lontano dalla portata di bambini e invalidi.
Quando non utilizzati, gli strumenti dovranno essere depositi lontano dalla portata di bambini e invalidi.

AVVERTENZE SULLA SICUREZZA DELLA CHIODATRICE PALMARE CORDLESS

- 1. Assumere sempre che l'utensile contenga chiodi.** Maneggiare senza attenzione la Chiodatrice palmare può provocare l'inaspettata espulsione dei chiodi e lesioni personali.
- 2. Non puntare mai l'utensile verso se stessi o altri nelle vicinanze.**
L'innesco inaspettato scaricherà i chiodi causando lesioni.
- 3. Non azionare l'utensile a meno che non sia posizionato saldamente contro il pezzo.**
Se l'utensile non è a contatto con il pezzo, il chiodo potrebbe essere deviato dall'obiettivo.
- 4. Scollegare l'utensile dalla fonte di alimentazione quando i chiodi si inceppano all'interno.**
Mentre si rimuove un chiodo inceppato, la Chiodatrice palmare potrebbe essere attivata accidentalmente se è collegata alla presa.
- 5. Non utilizzare questa Chiodatrice palmare per il fissaggio di cavi elettrici.**
Non è progettata per l'installazione di cavi elettrici e potrebbe danneggiare l'isolamento dei cavi elettrici e di conseguenza provocare scosse elettriche o incendi.
- 6. Indossare protettori per le orecchie**
L'esposizione al rumore può causare la perdita dell'udito.
- 7. Utilizzare le leve ausiliarie se fornite con l'utensile.**
La perdita di controllo può causare lesioni alla persona.
- 8. Reggere l'utensile elettrico dalle superfici di presa isolate quando si esegue un'operazione in cui l'elemento di fissaggio potrebbe venire a contatto con fili elettrici nascosti.**
Elementi di fissaggio a contatto con un filo "in tensione" potrebbero rendere le parti metalliche esposte dell'utensile elettrico "in tensione" e potrebbero causare scosse elettriche all'operatore.

PRECAUZIONI DI SICUREZZA AGGIUNTIVE

- 1. Assicurarsi di tenere saldamente l'utente durante il funzionamento.**
La mancata osservanza di questa precauzione potrebbe comportare incidenti o lesioni. (Fig. 12)
- 2. Operazioni sicure grazie a un corretto uso.**
Questo utensile è stato progettato per inserire dei chiodi nel legno e in altri materiali simili. Usatelo solo a questo fine.

3. Fate attenzione ad accensioni e ad esplosioni.

A causa delle scintille che potrebbero volare durante le operazioni, è pericoloso usare questo utensile vicino a lacca, vernice, benzina, solvente, gasolio, gas, adesivi e altre sostanze infiammabili simili che potrebbero infiammarsi ed esplodere. In nessuna circostanza questo utensile può essere utilizzato in prossimità di materiali infiammabili.

4. Indossate sempre una protezione per gli occhi (occhiali di protezione).



Quando usate questo utensile, indossate sempre gli occhiali di protezione, e assicuratevi che anche le persone intorno li indossino.

La possibilità che frammenti di cavo o di plastica che uniscono i chiodi o che chiodi non propriamente inseriti colpiscono gli occhi è da prevedere. Gli occhiali di protezione possono essere acquistati in qualsiasi negozio di ferramenta. Indossateli sempre durante l'uso dell'utensile. Usate gli occhiali di protezione o la mascherina ad ampia visuale su prescrizione.

L'utilizzatore dovrebbe sempre preoccuparsi di utilizzare l'equipaggiamento di protezione.

5. Proteggete le vostre orecchie e la testa.

Quando siete impegnati nell'uso della chiodatrice, indossate sempre le protezioni per orecchie e testa. Inoltre, in base alla condizione, assicuratevi che anche le persone intorno indossino il para orecchie e la protezione per la testa.

6. Fate attenzione a quelli che lavorano vicino a voi.

Potrebbe essere molto pericoloso se i chiodi che non sono stati correttamente inseriti colpiscono altre persone. In ogni caso, fate sempre attenzione alla sicurezza delle persone attorno a voi quando state usando la chiodatrice. Assicuratevi che non ci sia il corpo di qualcuno, mani o piedi vicino all'uscita dei chiodi.

7. Non puntate mai la chiodatrice in direzione delle persone.



Tenete sempre chiusa la chiodatrice. Se l'apertura è puntata in direzione di persone, in caso di attivazione accidentale della chiodatrice, potrebbero verificarsi incidenti gravi.

Quando si collega e si scollega la batteria, durante il caricamento di chiodi o simili operazioni, assicurarsi che l'uscita del chiodo non sia puntata verso altre persone (incluso se stessi). Anche se la chiodatrice non è caricata, è comunque pericoloso scaricare l'utensile mentre è puntata in direzione di qualcuno. Non scherzate con questo prodotto; abbiate cura come con qualsiasi altro strumento di lavoro.

8. Controllare la stecca prima dell'uso.

Chiodatrice palmare funzioni correttamente. Non utilizzare mai la Chiodatrice palmare se la stecca non funziona correttamente, altrimenti la chiodatrice automatica a stecca potrebbe inaspettatamente piantare un chiodo. Non manomettere né rimuovere la stecca, altrimenti la stecca diventerà inoperabile.

9. Usate solo chiodi specifici.

Non usate mai chiodi diversi da quelli descritti in queste istruzioni.

10. Prestate molta attenzione quando collegate la batteria.

Quando collegate la batterie e caricate i chiodi, affinché la chiodatrice non spari dei colpi accidentalmente, verificate quanto segue.

- Non toccate il grilletto.
- Non lasciate che l'estremità della chiodatrice tocchi alcuna superficie.

- Tenete l'estremità della chiodatrice verso il basso.

Seguite strettamente le istruzioni di cui sopra e assicuratevi sempre che non vi sia alcuna parte del vostro corpo o di quello di altre persone di fronte all'apertura della chiodatrice.

11. Evitate di mettere il dito sul grilletto.

Non mettete il dito sul grilletto eccetto quando dovete sparare i chiodi. Seorgete o consegnate l'utensile a qualcuno mentre avete il vostro dito appoggiato sul grilletto, potreste inavvertitamente sparare un chiodo e causare un incidente.

12. Premete con forza l'apertura della chiodatrice contro il materiale interessato.

Quando guidate un chiodo, premete con forza l'apertura dell'utensile contro il materiale da colpire. Se l'apertura non è correttamente premuta, i chiodi potrebbero rimbalzare.

13. Tenete le mani e i piedi lontani dalla testa dell'utensile quando lo usate.

È molto pericoloso che la chiodatrice colpisca mani o piedi per errore.



14. State attenti al contraccolpo.

Non avvicinatevi all'estremità dell'utensile con il capo durante le operazioni. Sarebbe molto pericoloso perché l'utensile potrebbe subire un violento contraccolpo se il chiodo che state guidando, entra in contatto con uno già inserito o con un nodo del legno.

15. Usate molta cautela quando inchiodate assi sottili o gli angoli del legno.

Quando inchiodate assi sottili, i chiodi potrebbero trapassare, così come anche nel caso in cui dovete inchiodare gli angoli del legno a causa della deviazione dei chiodi. In questi casi assicuratevi sempre che non vi sia nessuno nelle vicinanze dietro l'asse o vicino al legno che dovete inchiodare.

16. La chiodatura simultanea da ambo le parti della stessa parete è pericolosa.

In nessun caso la chiodatura dovrebbe essere fatta allo stesso tempo sui due lati di una parete.

Questo potrebbe essere molto pericoloso perché i chiodi possono attraversare la parete e causare seri incidenti.

17. Non usare l'utensile elettrico su scaffalature, scale.

L'utensile elettrico non va usato per applicazioni specifiche, come ad esempio:

- Quando il passaggio da un punto di chiodatura ad un altro prevede l'uso di scaffalature, gradini, scale o simili, come intelaiaiture,
- Chiusura di scatole o casse,
- Applicazione di sistemi di sicurezza per trasporto, ad esempio su veicoli o rimorchi

18. Rimuovere tutti i chiodi rimanenti e la batteria dalla Chiodatrice palmare quando:

- 1) si eseguono la manutenzione e l'ispezione;
- 2) si controlla il corretto funzionamento di stecca e grilletto;
- 3) si elimina un inceppamento;
- 4) non è in uso;
- 5) si lascia l'area di lavoro;
- 6) ci si sposta in un'altra posizione; e
- 7) la si passa a un'altra persona.

Non tentare mai di eliminare un inceppamento o di riparare la Chiodatrice palmare a meno che la batteria e tutti i chiodi rimanenti non siano stati rimossi dalla stessa.

La Chiodatrice palmare non deve mai essere lasciata incustodita, poiché le persone che non hanno familiarità con la Chiodatrice palmare potrebbero maneggiarla e ferirsi.

19. Quando si pulisce l'utensile elettrico, non utilizzare benzina o altri liquidi infiammabili.

Se vapori da un liquido infiammabile penetrano nell'utensile elettrico, sussiste un pericolo che le scintille prodotte dalla graffettatura, ecc. possano causare un'esplosione.

20. L'ambiente di funzionamento di questo apparecchio è tra i 0°C e i 40°C pertanto assicurarsi di utilizzarlo entro queste temperature. L'apparecchio potrebbe non funzionare al di sotto dei 0°C o al di sopra dei 40°C.

21. Non permettere MAI che magneti (o simili dispositivi magnetici) si trovino vicino alla Chiodatrice palmare, perché questa contiene un magnete all'interno.

In caso contrario si causerà un malfunzionamento o ci sarà un rischio di lesioni a causa del malfunzionamento.

22. Riposo dell'unità dopo lavoro continuo.

23. L'utensile elettrico è dotato di un circuito di protezione della temperatura per proteggere il motore. Il lavoro continuo potrebbe causare l'aumento della temperatura dell'unità, attivando così il circuito di protezione della temperatura e arrestando automaticamente il funzionamento. In tal caso, lasciare che l'utensile elettrico si raffreddi prima di riutilizzarlo.

24. Questo prodotto potrebbe smettere di funzionare quando viene rilevata un'anomalia.

25. Non guardare direttamente la luce. Tali azioni potrebbero provocare danni alla vista.

Rimuovere eventuali tracce di sporco attaccate alla lente della luce a LED con un panno morbido, prestando attenzione a non graffiare la lente.

Graffi sulla lente della luce a LED possono causare la diminuzione della luminosità.

9. Non inserire alcun oggetto nelle fessure di ventilazione del caricatore.

Inserendo oggetti metallici o infiammabili nelle fessure di ventilazione, si possono causare facilmente delle scosse elettriche, o si può danneggiare il caricatore.

PRECAUZIONI SULLA BATTERIA AGLI IONI DI LITIO

Per estendere la durata, la batteria agli ioni di litio è munita di una funzione di protezione per arrestarne l'uscita.

Nei casi da 1 a 3 descritti di seguito, durante l'utilizzo del prodotto, anche se state premendo l'interruttore, il motore potrebbe arrestarsi. Ciò non indica un malfunzionamento ma è il risultato della funzione di protezione.

1. Quando la rimanente alimentazione della batteria si esaurisce, il motore si arresta.

In tal caso, ricaricarla immediatamente.

2. Se l'utensile è sovraccarico, il motore potrebbe arrestarsi. In tal caso, rilasciare l'interruttore dell'utensile ed eliminare le cause del sovraccarico. Dopo ciò, sarà possibile riutilizzarlo.

3. Se la batteria si surriscalda in lavori di sovraccarico, l'alimentazione della batteria potrebbe arrestarsi.

In tal caso, interrompere l'uso della batteria e lasciarla raffreddare. Dopo ciò, sarà possibile riutilizzarlo.

Inoltre, si prega di prestare attenzione al seguente avvertimento e cautela.

AVVERTENZA

Per prevenire qualsiasi perdita delle batterie, generazione di calore, emissione di fumi, esplosione e accensione, assicurarsi di prestare attenzione alle seguenti precauzioni.

1. Assicurarsi che la polvere e i detriti non si accumulino sulla batteria.

○ Durante la lavorazione, assicurarsi che la polvere e i detriti non si depositino sulla batteria.

○ Assicurarsi che qualsiasi polvere e detriti che si depositano sull'utensile elettrico durante la lavorazione non si accumulino sulla batteria.

○ Non conservare una batteria inutilizzata in un luogo esposto a polvere e detriti.

○ Prima di ritirare una batteria, rimuovere la polvere e i detriti che si sono depositati su di essa e non conservarla insieme a parti metalliche (viti, chiodi, ecc.).

2. Non forare la batteria con un oggetto appuntito come un chiodo, non colpire con un martello, calpestare, lanciare o sottoporre la batterie a violenti urti fisici.

3. Non usare batterie apparentemente danneggiate o deformate.

4. Non usare batterie con la polarità invertita.

5. Non collegare direttamente a prese elettriche o prese per caricabatteria da auto.

6. Non usare la batteria per uno scopo diverso da quelli specificati.

7. Se la ricarica della batteria non si completa anche quando è passato un tempo di ricarica specificato, interrompere immediatamente la ricarica.

8. Non mettere o sottoporre la batteria a temperature elevate o ad alta pressione come in un forno microonde, essiccatore o contenitore ad alta pressione.

9. Tenere immediatamente lontano dal fuoco quando si rilevano perdite o maleodore.

10. Non usare in un luogo dove viene generata forte elettricità statica.

11. Se si verifica la perdita delle batterie, maleodore, generazione di calore, scolorimento o deformazione, o se appaiono anomalie di qualsiasi natura durante l'uso, la ricarica o la conservazione, rimuoverla immediatamente dall'apparecchio o carica batteria, e interrompere l'uso.

PRECAUZIONI PER LA BATTERIA E IL CARICABATTERIA

1. Caricare sempre a batteria a una temperatura ambiente compresa tra 0 e 40°C.

Una temperatura inferiore a 0°C comporterà un sovraccarico con conseguente pericolo. La batteria non può essere ricaricata ad una temperatura superiore ai 40°C.

La temperatura ideale è compresa fra i 20–25 gradi.

2. Non usare il caricatore in modo continuo.

Quando un'operazione di caricatura è terminata, prima di iniziare una seconda, lasciare che il caricatore riposi per 15 minuti.

3. Non permettere che sostanze estranee entrino nel foro di collegamento della batteria ricaricabile.

4. Non smontare mai la batteria ricaricabile o il caricatore.

5. Non provocare mai dei corto-circuiti alla batteria ricaricabile.

Il fenomeno provoca surriscaldamento e una sovracorrente elettrica. Può quindi causare ustioni o danni alla batteria.

6. Non gettare la batteria nel fuoco.

Può esplodere.

7. Usando una batteria scarica, il caricatore può venir danneggiato.

8. Non appena la vita della batteria dopo le operazioni di ricarica diventa troppo breve per fini pratici, portare la batteria al negozio dove è stata acquistata.

Non gettarla mai via.

NOMI DEI COMPONENTI (Fig. 1 – Fig. 12)

①	Testina di espulsione (uscita)
②	Stecca
③	Luce a LED
④	Grilletto
⑤	Gancio
⑥	Batteria
⑦	Fermo
⑧	Coperchio della batteria
⑨	Terminali
⑩	Fori di ventilazione
⑪	Caricabatteria
⑫	Testa del chiodo
⑬	Fusto del chiodo
⑭	Punta del chiodo
⑮	Magnete
⑯	Area magnetizzata
⑰	Chiodo
⑱	Unità driver
⑲	Giunto metallico
⑳	Foro
㉑	Vite
㉒	Scanalatura
㉓	Pinze

12. Non immergere la batteria né consentire ad alcun liquido di penetrare all'interno. La penetrazione di liquidi conduttivi, per esempio acqua, può causare danni e quindi provocare incendi o esplosioni. Conservare la batteria in un luogo fresco e asciutto, lontano da materiali infiammabili e combustibili. Le atmosfere di gas corrosivi devono essere evitate.

ATTENZIONE

- Se il liquido che fuoriesce dalla batteria entra negli occhi, non sfregare gli occhi e lavarli bene con acqua fresca e pulita come acqua di rubinetto e contattare immediatamente un medico.
Se non viene trattato, il liquido può causare problemi agli occhi.
- Se il liquido fuoriesce sulla pelle o gli abiti, lavare bene con acqua pulita come l'acqua del rubinetto immediatamente.
C'è una possibilità che possa causare irritazione alla pelle.
- Se si riscontrano ruggine, maleodore, surriscaldamento, scolorimento, deformazione, e/o altre irregolarità quando si utilizza la batteria per prima volta, non usarla e restituirla al fornitore o venditore.

AVVERTENZA

Se nel terminale della batteria a ioni di litio penetrano corpi estranei conduttivi, potrebbe verificarsi un cortocircuito della batteria con conseguente incendio. Nello stoccaggio della batteria a ioni di litio, attenersi scrupolosamente alle seguenti istruzioni.

- Non inserire corpi conduttivi, chiodi e fili (ad esempio fili di ferro o rame) nel vano di stoccaggio.
- Per impedire cortocircuiti, caricare la batteria nello strumento o applicare saldamente il coperchio della batteria per lo stoccaggio fino a nascondere la ventola (Fig. 2).

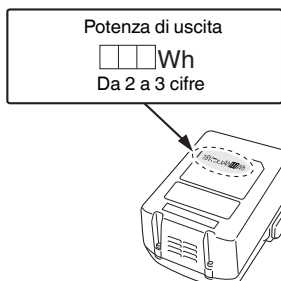
INFORMAZIONI SUL TRASPORTO DELLA BATTERIA AGLI IONI DI LITIO

Quando si trasporta una batteria agli ioni di litio, adottare le seguenti precauzioni.

AVVERTENZA

Avvisare l'azienda di trasporti che il pacchetto contiene una batteria agli ioni di litio, informare l'azienda della sua potenza di uscita e seguire le istruzioni della società di trasporti quando si organizza il trasporto.







- Le batterie agli ioni di litio che superano la potenza di uscita di 100 Wh sono classificate come merci pericolose e necessitano di procedure speciali.
- Per il trasporto all'estero, è necessario rispettare le leggi internazionali e le norme e i regolamenti previsti nel Paese di destinazione.










SIMBOLI

AVVERTENZA

Di seguito mostriamo i simboli usati per la macchina. Assicurarsi di comprenderne il significato prima dell'uso.

	NH18DSL: Chiodatrice palmare cordless
	Per ridurre il rischio di lesioni, l'utente deve leggere il manuale delle istruzioni.
	Gli operatori e le persone presenti nell'area di lavoro devono indossare occhiali di sicurezza con protezioni laterali.
	Non puntare mai l'utensile verso se stessi o altri nell'area di lavoro.
	Scollegare la batteria
	Non utilizzare su impalcature, scale.

	Solo per Paesi UE Non gettare le apparecchiature elettriche tra i rifiuti domestici! Secondo la Direttiva Europea 2012/19/UE sui rifiuti di apparecchiature elettriche ed elettroniche e la sua attuazione in conformità alle norme nazionali, le apparecchiature elettriche esauste devono essere raccolte separatamente, al fine di essere reimpiegate in modo eco-compatibile.
	Corrente continua
	Peso (Secondo la procedura EPTA 01/2014)
	Accensione
	Spegnimento
	Avvertenza
	Azione non consentita

SPECIFICHE

1. Chiodatrice palmare cordless

Modello	NH18DSL
Tensione	18 V
Numero di colpi	4000 min-1
Chiodo applicabile	Ø1,7 – 4,1 mm (Vedere Tabella 1)*1
Lunghezza chiodo applicabile	Da 25 mm a 90 mm*1
Peso*2	1,3 – 1,9 kg
Dimensioni Altezza x lunghezza	135 mm x 285 mm (BSL1815)

*1: Legno opposto: SPF, Cedro

Potrebbe non essere possibile inserire completamente un chiodo in materiali duri come tsuga canadese, MDF (pannello di fibra a media densità) o legname laminato.

*2: Peso: secondo la procedura EPTA 01/2014. A seconda della batteria collegata. Il peso maggiore viene misurato con BSL36B18 (venduto separatamente).

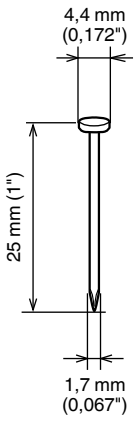
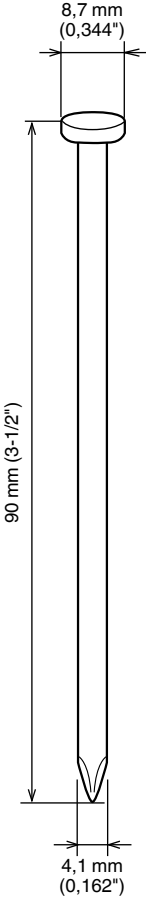
NOTA

A causa del continuo programma di ricerche e sviluppo della HiKOKI, le caratteristiche riportate in questo foglio sono soggette cambiamenti senza preventiva comunicazione.

SELEZIONE CHIODO

Usare i chiodi delle seguenti dimensioni per questa Chiodatrice palmare.

Tabella 1

Min.	Max.
 <p>4,4 mm (0,172")</p> <p>25 mm (1")</p> <p>1,7 mm (0,067")</p>	 <p>8,7 mm (0,344")</p> <p>90 mm (3-1/2")</p> <p>4,1 mm (0,162")</p>

AVVERTENZA

- Non utilizzare chiodi di altre dimensioni. Potrebbero danneggiare la stecca o essere sparati in direzione obliqua.
- Fare attenzione alle dimensioni delle teste dei chiodi. Le dimensioni della testa del chiodo possono variare tra grande e piccola con i chiodi sfusi disponibili in commercio.
- Non usare chiodi induriti.

NOTA

- Potrebbe non essere possibile inserire completamente un chiodo in materiali duri come tsga canadese, MDF (pannello di fibra a media densità) o legname laminato.

ACCESSORI STANDARD

AVVERTENZA

- Accessori diversi da quelli mostrati di seguito possono portare a malfunzionamenti e conseguenti lesioni.

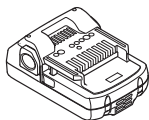
- ① Protezione degli occhi..... 1



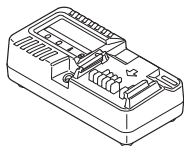
NOTA: gli accessori sono soggetti a modifiche senza alcun obbligo da parte di HiKOKI.

ACCESSORI FACOLTATIVI (VENDUTI A PARTE)

1. Batteria
○ BSL1815



2. Caricabatteria
○ UC18YKSL (Tensione di carica: 14,4 V – 18 V)



Gli accessori disponibili a richiesta possono essere cambiati senza preavviso.

APPLICAZIONI

- Materiali in legno in costruzioni generali, elementi di fissaggio, terrazze in legno, strutture e ristrutturazioni

RICARICA

La batteria e il caricabatteria non sono in dotazione con questo prodotto.

Per le batterie ricaricabili, ricaricare in base alle istruzioni per l'uso del caricabatteria che si sta utilizzando. (Fig. 5)

MONTAGGIO E OPERAZIONE

Azione	Figura	Pagina
Inserimento e rimozione della batteria	3	2
Funzionamento dell'interruttore	4	2
Carica	5	3
Controllo delle operazioni della stecca*1	6	3
Sparare tenendo un chiodo con il magnete*2	7	3
Sparare tenendo un chiodo con le dita.*3	8	3
Fissare un chiodo sul giunto metallico*4	9	4
Uso del gancio*5	10	4

Eliminazione di un inceppamento	11	4
Selezione degli accessori	—	199

*1 AVVERTENZA

- Controllare che la stecca scorra agevolmente quando viene azionata. Pulire la zona di scorrimento sulla stecca se non scorre agevolmente.

*2 AVVERTENZA

- Quando si carica un chiodo nella stecca, tenere il fusto del chiodo e non la punta.
- Quando si carica un chiodo nella stecca, accertarsi di non premere la punta dell'unità driver.
- Quando si carica un chiodo nella stecca, non mettere le dita o le mani sotto la punta di un chiodo.

*3 AVVERTENZA

- Quando si spara un chiodo tenendolo con le dita, posizionare prima la punta del chiodo contro un bersaglio, quindi inserire la stecca sulla testa del chiodo.

*4 AVVERTENZA

- Quando si spara un chiodo, assicurarsi che la punta del chiodo si trovi nel foro del giunto di metallo.

*5 ATTENZIONE

- Quando si utilizza il gancio, agganciare saldamente l'utensile elettrico perché non cada accidentalmente. Se l'utensile viene fatto cadere, potrebbe provocare un incidente.
- Assicurarsi che la batteria sia rimossa quando si utilizza il gancio.
- Installare saldamente il gancio. Se il gancio non è stato fissato saldamente, potrebbe provocare lesioni durante l'uso.

ATTENZIONE

Quando si spara un chiodo, azionare per un breve lasso di tempo ed evitare il lavoro continuo. In caso contrario, si potrebbe provocare un guasto o una perdita di grasso.

MANUTENZIONE E ISPEZIONE

ATTENZIONE

Assicurarsi di rimuovere la batteria dalla Chiodatrice palmare prima della manutenzione e dell'ispezione.

AVVERTENZA

- Scollegare la batteria e rimuovere il chiodo dalla Chiodatrice palmare quando:
 - 1) si esegue la manutenzione e l'ispezione; e
 - 2) si elimina un inceppamento.
- Senza collegare la batteria, controllare se la stecca si sposta stabilmente premendo la punta della stecca contro un materiale, per esempio legno.

1. Eliminazione di un inceppamento (Fig. 11)

- ① Rimuovere la batteria dalla Chiodatrice palmare.
- ② Rimuovere il chiodo inceppato con un paio di pinze.
- ③ In caso di frequenti inceppamenti, contattare un centro di assistenza autorizzato HiKOKI.

2. Controllo della stecca (Fig. 6)

Periodicamente pulire e lubrificare la parte scorrevole della stecca e la relativa cavità.

Controllare se la stecca si muove agevolmente premendo la Chiodatrice palmare contro un materiale, per esempio legno.

Quando polveri di ferro o simili aderiscono all'area magnetizzata all'interno della stecca, la potenza per mantenere magneticamente un chiodo potrebbe essere ridotta. Pulire ogni tanto l'area con un panno o nastro adesivo.

Inoltre, pulire ogni tanto la polvere di ferro sul magnete al di fuori della stecca con un panno o nastro adesivo. Ciò rende regolare il funzionamento della stecca.

3. Ispezione delle viti di montaggio

Ispezionare regolarmente le viti di montaggio e assicurarsi che siano ben fissate. Se una di queste dovesse essere allentata, riserrarla immediatamente. Si rischia in caso contrario di provocare incidenti pericolosi.

4. Manutenzione del motore

L'avvolgimento del motore è il vero e proprio "cuore" degli attrezzi elettrici. Fare attenzione a non danneggiare l'avvolgimento e/o non bagnarlo con olio o acqua.

5. Pulizia della carcassa dell'utensile

Se l'utensile elettrico è sporco, pulirlo con un panno morbido e asciutto o con un panno inumidito con acqua insaponata. Non usare solventi cloridrici, benzina o diluenti per benzina, in quanto potrebbero deformare la plastica.

6. Conservazione

Conservare l'utensile elettrico e la batteria in un luogo dove la temperatura sia inferiore a 40°C e lontano dalla portata dei bambini.

NOTA

Conservazione delle batterie agli ioni di litio.

Prima di riporre le batterie agli ioni di litio, assicurarsi di averle caricate completamente.

Riporre le batterie per periodi prolungati (3 mesi o più) con un basso livello di carica potrebbe provocare il deterioramento delle prestazioni o la significativa riduzione del tempo di utilizzo delle batterie, o potrebbe rendere le batterie incapaci di mantenere la carica.

Tuttavia, la significativa riduzione del tempo di utilizzo delle batterie può essere risolta caricando e utilizzando le batterie ripetutamente da due a cinque volte.

Se il tempo di utilizzo delle batterie rimane estremamente ridotto nonostante le ricariche ripetute, considerare le batterie inutilizzabili e acquistarne di nuove.

ATTENZIONE

Nell'uso e nella manutenzione degli utensili elettrici devono essere osservate le normative di sicurezza e i criteri prescritti in ciascun paese.

Avviso importante sulle batterie per gli utensili elettrici a batteria HiKOKI

Utilizzare sempre una delle nostre batterie originali. Non possiamo garantire la sicurezza e le prestazioni dell'utensile elettrico a batteria quando esso viene utilizzato con batterie diverse da quelle da noi designate, o quando la batteria viene smontata e modificata (per esempio lo smontaggio e la sostituzione di pile o altre parti interne).

Informazioni riguardanti i rumori trasmessi dall'aria e le vibrazioni

I valori misurati sono stati determinati in conformità a EN62841 e descritti in conformità alla normativa ISO 4871.

Livello misurato di potenza sonora pesato A: 107 dB (A)

Livello misurato di pressione sonora pesato A: 96 dB (A)

Incertezza K: 3 dB (A).

Indossare i dispositivi di protezione acustica.

Valori totali di vibrazione (somma vettori triass.) determinati secondo la norma EN62841.

Valore di emissione vibrazioni: 15,5 m/s²

Incertezza K = 1,5 m/s²

Il valore totale dichiarato delle vibrazioni e il valore dichiarato delle emissioni acustiche sono stati misurati in conformità a un metodo di prova standard e possono essere utilizzati per confrontare un utensile con un altro.

Possono anche essere usati in una valutazione preliminare dell'esposizione.

AVVERTENZA

- Le vibrazioni e le emissioni di rumore durante l'uso effettivo dell'utensile elettrico possono differire dal valore totale dichiarato a seconda delle modalità di utilizzo dell'utensile, in particolare del tipo di pezzo in lavorazione; e
- Identificare le misure di sicurezza per la protezione dell'operatore basate su stima dell'esposizione nelle effettive condizioni di utilizzo (prendendo in considerazione tutte le parti del ciclo di funzionamento come i tempi in cui l'utensile resta spento e quando funziona senza essere utilizzato in aggiunta al tempo di avvio).

NOTA

A causa del continuo programma di ricerche e sviluppo della HiKOKI, le caratteristiche riportate in questo foglio sono soggette cambiamenti senza preventiva comunicazione.

GARANZIA

Garantiamo gli Utensili Elettrici HiKOKI in conformità alle specifiche normative imposte dalla legge e dai paesi. Questa garanzia non copre difetti o danni dovuti a uso erraneo, abuso o normale usura. In caso di lamentele, si prega di inviare l'Utensile Elettrico, non smontato, insieme al CERTIFICATO DI GARANZIA che si trova al termine di queste Istruzioni per l'uso, ad un Centro di Assistenza Autorizzato HiKOKI.

ALGEMENE VEILIGHEIDSWAARSCHUWINGEN VOOR ELEKTRISCH GEREEDSCHAP

⚠ WAARSCHUWING

Lees alle veiligheidswaarschuwingen, instructies, illustraties en specificaties die met dit elektrisch gereedschap worden meegeleverd.

Niet opvolgen van de waarschuwingen en instructies kan resulteren in een elektrische schok, brand en/of ernstig letsel.

Bewaar alle waarschuwingen en aanwijzingen voor eventuele naslag in de toekomst.

De term „elektrisch gereedschap” heeft zowel betrekking op elektrisch gereedschap dat via de netvoeding van stroom wordt voorzien als gereedschap dat via een accu (snoerloos) van stroom wordt voorzien.

1) Veiligheid van de werkplek

a) Zorg voor een schone en goed verlichte werkplek.

Een rommelige of donkere werkplek verhoogt de kans op ongelukken.

b) Gebruik het elektrisch gereedschap niet in een omgeving met ontvlambare of explosieve vloeistoffen, gassen of stof.

Elektrisch gereedschap kan vonken afgeven. Deze vonkjes kunnen stofdeeltjes of gassen doen ontbranden.

c) Houd kinderen en andere omstanders tijdens het gebruik van elektrisch gereedschap uit de buurt.

Afleidingen kunnen gevaarlijk zijn.

2) Elektrische veiligheid

a) De stekker van het elektrisch gereedschap moet geschikt zijn voor aansluiting op het stopcontact. De stekker mag op geen enkele manier gemodificeerd worden. Gebruik geen verloopstekker met geaard elektrisch gereedschap.

Deugdelijke stekkers en geschikte stopcontacten verminderen het risico op een elektrische schok.

b) Vermijd lichamelijk contact met geaarde oppervlakken zoals leidingen, radiatoren, fornuizen en koelkasten.

Wanneer uw lichaam geaard is, loopt u een groter risico op een elektrische schok.

c) Stel het elektrisch gereedschap niet bloot aan regen of vochtige omstandigheden.

Het risico op een elektrische schok wordt vergroot wanneer er water in het elektrische gereedschap terechtkomt.

d) Behandel het snoer voorzichtig. Gebruik het snoer niet om het elektrisch gereedschap aan te dragen of mee te slepen en gebruik het snoer niet om de stekker uit het stopcontact te trekken. Houd het snoer uit de buurt van warmtebronnen, olie, scherpe randen of bewegende onderdelen. Een beschadigd of verward snoer verhoogt het risico op een elektrische schok.

e) Gebruik buitenshuis een verlengsnoer dat specifiek geschikt is voor het gebruik buiten.

Het gebruik van een snoer dat specifiek geschikt is voor gebruik buitenshuis vermindert het risico op een elektrische schok.

f) Als het elektrisch gereedschap in een vochtige omgeving gebruikt moet worden, dient een voeding met aardlekschakelaar te worden gebruikt.

Gebruik van een aardlekschakelaar vermindert de kans op een elektrische schok.

3) Persoonlijke veiligheid

a) Blijf waakzaam, let voortdurend op uw werk en gebruik uw gezond verstand wanneer u elektrisch gereedschap gebruikt.

Gebruik geen elektrisch gereedschap wanneer u moe bent of onder invloed van drugs, alcohol of medicijnen.

Eén moment van onoplettendheid kan in ernstig lichamelijk letsel resulteren.

b) Gebruik persoonlijke beschermingsmiddelen. Draag altijd oogbescherming.

Beschermingsmiddelen zoals een stofmasker, anti-slip veiligheidsschoenen, een helm of gehoorbescherming, gebruikt voor gepaste omstandigheden, verminderen het risico op lichamelijk letsel.

c) Voorkom dat het gereedschap per ongeluk kan starten. Controleer de schakelaar in de uitstand staat voordat u de voeding en/of de accu aansluit, het gereedschap oppakt of gaat dragen.

Zorg ervoor dat u tijdens het verplaatsen van het elektrisch gereedschap uw vingers uit de buurt van de schakelaar houdt en sluit de stroombron niet aan terwijl de schakelaar op aan staat om ongelukken te vermijden.

d) Verwijder sleutels en moersleutels uit het gereedschap voordat u het elektrisch gereedschap aanzet.

Een (moer-)sleutel die op een bewegend onderdeel van het elektrisch gereedschap bevestigd is kan in lichamelijk letsel resulteren.

e) Reik niet te ver. Zorg ervoor dat u te allen tijde stevig staat en uw evenwicht behoudt.

Op deze manier heeft u tijdens een onverwachte situatie meer controle over het elektrisch gereedschap.

f) Draag geschikte kleding. Draag geen loszittende kleding of sieraden. Houdt uw kleding en haar uit de buurt van bewegende onderdelen.

Loszittende kleding, sieraden en lang haar kunnen in de bewegende onderdelen verstrikt raken.

g) Indien het elektrisch gereedschap van een aansluiting voor stofafzuiging is voorzien, dan dient u ervoor te zorgen dat de stofafzuiging aangesloten en op de juiste manier gebruikt wordt.

Het gebruik van stofafzuiging vermindert eventuele stofgerelateerde risico's.

h) Laat bekendheid opgedaan bij veelvuldig gebruik van gereedschap u niet zelfgenoegzaam worden waardoor u veiligheidsprincipes van het gereedschap negeert.

Een onzorgvuldige actie kan ernstig letsel veroorzaken binnen een fractie van een seconde.

4) Bediening en onderhoud van elektrisch gereedschap

a) Het elektrisch gereedschap mag niet geforceerd worden. Gebruik het juiste gereedschap voor het karwei.

U kunt de klus beter en veiliger uitvoeren wanneer u het juiste elektrische gereedschap gebruikt.

b) Gebruik het elektrisch gereedschap niet als de schakelaar niet goed werkt.

Elektrisch gereedschap dat niet via de schakelaar bediend kan worden is gevaarlijk en moet onmiddellijk gerepareerd worden.

c) Haal de stekker uit het stopcontact en/of verwijder de accu, als deze losgemaakt kan worden, van het elektrische gereedschap voordat u afstellingen verricht, accessoires verwisselt of voordat u het elektrische gereedschap opbergt.

Dergelijke preventieve veiligheidsmaatregelen verminderen het risico dat het elektrisch gereedschap per ongeluk opstart.

- d) **Berg elektrisch gereedschap buiten het bereik van kinderen op en sta niet toe dat personen die niet bekend zijn met het juiste gebruik van het gereedschap of deze voorschriften dit elektrisch gereedschap gebruiken.**
Elektrisch gereedschap is gevaarlijk in onbevoegde handen.
- e) **Verzorg het elektrische gereedschap en accessoires. Controleer het gereedschap op een foutieve uitlijning, vastgelopen of defecte bewegende onderdelen en andere problemen die van invloed kunnen zijn op de juiste werking van het gereedschap. Indien het gereedschap defect of beschadigd is moet het gerepareerd worden voordat u het gereedschap opnieuw gebruikt.**
Slecht onderhouden elektrisch gereedschap is verantwoordelijk voor een groot aantal doe-het-zelf ongelukken.
- f) **Houd snijwerktuigen scherp en schoon.**
Goed onderhouden snijwerktuigen met scherpe snijranden lopen minder snel vast en zijn gemakkelijker in het gebruik.
- g) **Elektrisch gereedschap, toebehoren, bits enz. moeten in overeenstemming met deze instructies worden gebruikt, waarbij de werkomstandigheden en het werk dat gedaan moet worden in overweging moeten worden genomen.**
Gebruik van het elektrisch gereedschap voor andere doeleinden dan waarvoor het is bedoeld, kan resulteren in een gevaarlijke situatie.
- h) **Houd de handvat- en greepoppervlakken droog, schoon en vrij van olie en vet.**
Glibberige handvat- en greepoppervlakken zorgen voor onveilig gebruik en onveilige bediening van het gereedschap in onverwachte situaties.
- 5) **Gebruik en onderhoud van de accu**
- a) **Herlaad alleen met de lader die door de fabrikant wordt gespecificeerd.**
Een lader die geschikt is voor één bepaald type accu kan brandgevaar veroorzaken bij gebruik met een andere accu.
- b) **Gebruik elektrisch gereedschap alleen met de specifiek daarvoor bestemde accu's.**
Het gebruik van andere accu's kan letsel of brand veroorzaken.
- c) **Wanneer de accu niet in gebruik is, moet u deze uit de buurt houden van andere metalen voorwerpen zoals paperclips, munten, sleutels, spijkers, schroeven of andere kleine metalen voorwerpen die de contacten zouden kortsluiten.**
Kortsluiten van de accucontacten kan brandwonden of brand veroorzaken.
- d) **Bij een verkeerd gebruik kan er vloeistof uit de accu lekken; vermijd elk contact daarmee. Als u dit onverhoopt toch aanraakt, moet u goed met water spoelen. Indien de vloeistof in contact komt met de ogen, moet u ook onmiddellijk medische hulp inroepen.**
Vloeistof die uit de accu lekt kan irritatie en brandwonden veroorzaken.
- e) **Gebruik geen accu of gereedschappen die zijn beschadigd of aangepast.**
Beschadigde of aangepaste accu's kunnen onvoorspelbaar gedrag vertonen, wat brand, explosie of risico op letsel veroorzaakt.
- f) **Stel een accu of gereedschap niet bloot aan vuur of excessief hoge temperaturen.**
Blootstelling aan vuur of temperaturen boven de 130°C kan een explosie veroorzaken.
- g) **Volg alle instructies voor het opladen en laad de accu of het gereedschap niet op buiten het temperatuurbereik dat in de gebruikershandleiding wordt voorgeschreven.**
Onjuist opladen of bij temperaturen buiten het voorgeschreven bereik kan de accu beschadigen en het risico op brand verhogen.
- 6) **Onderhoud**
- a) **Het gereedschap mag uitsluitend door bevoegd onderhoudspersoneel worden onderhouden en er mag daarbij uitsluitend gebruik gemaakt worden van identieke vervangingsonderdelen.**
Hierdoor kunt u er op rekenen dat het elektrische gereedschap veilig blijft.
- b) **Probeer beschadigde accu's nooit te repareren.**
Onderhoud aan accu's dient alleen te worden uitgevoerd door de fabrikant of erkend onderhoudspersoneel.

VOORZORGSMAATREGELEN

Houd kinderen en kwetsbare personen op een afstand. Het gereedschap moet na gebruik buiten het bereik van kinderen en andere kwetsbare personen worden opgeborgen.

VEILIGHEIDSWAARSCHUWINGEN VOOR ACCU SPIJKERAPPARAAT

- Ga er altijd van uit dat het gereedschap spijkers bevat.**
 Onvoorzichtigheid tijdens het werken met het spijkerapparaat kan resulteren in het onverwacht afschieten van spijkers en persoonlijk letsel.
- Richt het gereedschap niet op uzelf of iemand in de buurt.**
 Onverwachte bediening kan leiden tot het afschieten van een spijker met letsel tot gevolg.
- Bedien het gereedschap alleen wanneer het gereedschap stevig tegen het werkstuk is geplaatst.**
 Als het gereedschap niet in contact is met het werkstuk, kan de spijker afwijken van uw doelwit.
- Ontkoppel het gereedschap van de voeding wanneer de spijker in het gereedschap vastloopt.**
 Tijdens het verwijderen van een vastgelopen spijker kan het spijkerapparaat per ongeluk worden geactiveerd als de voeding is aangesloten.
- Gebruik dit spijkerapparaat niet voor het bevestigen van elektrische kabels.**
 Dit gereedschap is niet bedoeld voor de installatie van elektrische kabels en kan de isolatie van elektrische kabels beschadigen, waardoor er gevaar voor elektrische schokken of brand ontstaat.
- Draag gehoorbescherming**
 Blootstelling aan te hard geluid kan leiden tot gehoorbeschadiging.
- Gebruik aanvullende handgrepen als die met het gereedschap worden meegeleverd.**
 Verlies van controle kan leiden tot persoonlijk letsel.
- Houd het elektrische gereedschap vast aan de geïsoleerde oppervlakken wanneer u een handeling verricht waarbij het bevestigingsmiddel in contact kan komen met verborgen bedrading.**
 Bevestigingsmiddelen die in contact komen met een stroomvoerende draad, kunnen blootliggende metalen delen van het elektrische gereedschap onder stroom zetten, waardoor de gebruiker een elektrische schok kan krijgen.

AANVULLENDE VEILIGHEIDSWAARSCHUWINGEN

1. Houd het gereedschap goed vast terwijl u ermee aan het werk bent.

Doet u dit niet, dan kunnen ongelukken of verwondingen het gevolg zijn. (Afb. 12)

2. Veiligheid door correct gebruik.

Dit pneumatisch gereedschap is ontworpen om spijkers in hout en vergelijkbare materialen te drijven. Gebruik het apparaat alleen voor dit doel.

3. Wees beducht voor ontsteking- en ontploffingsgevaar.

Omdat tijdens het spijkeren vonken geslagen kunnen worden, is het gevaarlijk om dit pneumatisch gereedschap te gebruiken in de buurt van lak, verf, benzine, thinner, gasolie, gas, lijmsorten, en vergelijkbaar ontvlambare materialen die door de vonken zouden kunnen ontvlammen of exploderen. Onder geen enkele voorwaarde mag dit pneumatisch gereedschap daarom gebruikt worden in de nabijheid van dergelijke ontvlambare materialen.

4. Draag altijd uw oogbescherming (veiligheidsbril).

Draag altijd uw oogbescherming wanneer u met dit pneumatisch gereedschap werkt, en zorg ervoor dat de mensen in uw omgeving hetzelfde doen. De mogelijkheid dat rondvliegende spijkers die niet goed geraakt werden in uw oog terecht komen is een bedreiging voor uw gezichtsvermogen.



Oogbescherming is verkrijgbaar in elke gereedschapswinkel. Draag altijd een vorm van oogbescherming wanneer u met dit apparaat werkt. Er zijn speciale maskers of veiligheidsbrillen die over uw bril passen.

Werkgevers behoren er op toe te zien dat oogbescherming gedragen wordt op de werkplek.

5. Bescherm uw hoofd en uw oren.

Draagt u alstublieft een helm en oorbeschermers als u spijkerwerk doet. Let u er ook op dat de mensen rondom u, afhankelijk van de omstandigheden, hun helmen en oorbeschermers dragen.

6. Let op de mensen die dicht bij u werken.

Het zou bijzonder gevaarlijk kunnen zijn als spijkers die niet goed ingeslagen zijn anderen zouden kunnen raken. Let daarom ook altijd op de veiligheid van de mensen rondom u wanneer u met dit pneumatisch gereedschap werkt. Let er altijd op dat er niet iemands lichaam, hand of voet dichtbij de spijker-uitgang is.

7. Richt het spijkerapparaat nooit op iemand.

Ga er altijd van uit dat het apparaat geladen is.

Indien het apparaat op personen wordt gericht kunnen ernstige ongelukken worden veroorzaakt, bijvoorbeeld wanneer u per ongeluk het apparaat aanzet. Bij het aansluiten en loskoppelen van de accu, tijdens het laden van spijkers of soortgelijke handelingen, zorg ervoor dat de spijkeruitgang niet naar iemand gericht is (inclusief uzelf). Zelfs wanneer er geen spijkers in het apparaat zitten is het gevaarlijk om het apparaat af te doen gaan terwijl het in de richting van een persoon wijst; probeer dat dus niet. Geen geintjes. Heb respect en ontzag voor het gereedschap waar u mee werkt.



8. Controleer de stang vóór gebruik.

Zorg ervoor dat de stang correct werkt. Gebruik het spijkerapparaat uitsluitend als de stang naar behoren werkt; anders kan het spijkerapparaat onverwachts een spijker afschieten. Knoei niet met de stang of verwijder deze niet, anders werkt de stang mogelijk niet meer.

9. Gebruik alleen de voorgeschreven spijkers.

Gebruik nooit andere spijkers dan de in deze handleiding beschreven en gespecificeerde.

10. Wees voorzichtig bij het aansluiten van de batterij.

Let op de volgende punten om te voorkomen dat het apparaat per ongeluk afgaat wanneer u de batterij bevestigt en spijkers laadt.

- Raak de trekker niet aan.
- Laat de kop van het apparaat niet in contact komen met enig oppervlak.
- Houd de kop van het apparaat naar beneden gericht. Volg bovenstaande instructies zorgvuldig op en let er altijd op dat er zich geen lichaamsdelen, handen of benen voor de spijker-uitgang bevinden.

11. Houd niet achteloos uw vinger aan de trekker.

Breng uw vinger alleen aan de trekker wanneer u inderdaad gaat spijkeren. Als u dit pneumatisch gereedschap draagt, of u geeft het aan iemand anders met uw vinger aan de trekker, kunt u per ongeluk een spijker afschieten en een ongeval veroorzaken.

12. Druk de spijker-uitgang stevig tegen het te spijkeren materiaal.

Druk de spijker-uitgang stevig tegen het te spijkeren materiaal wanneer u gaat spijkeren. De spijkers kunnen terugkaatsen als u de spijker-uitgang niet goed houdt.

13. Houd handen en voeten weg van de kop van het apparaat wanneer er gespijkerd wordt.

Het kan ernstige gevolgen hebben wanneer een spijker per ongeluk een hand of voet raakt.



14. Wees bedacht op de terugslag van het pneumatisch gereedschap.

Breng uw hoofd of andere lichaamsdelen niet dicht bij de bovenkant van het apparaat terwijl het in werking is. Dit is gevaarlijk omdat het apparaat een krachtige terugslag kan geven als bijvoorbeeld de spijker die wordt ingedreven een oude spijker of een knoest in het hout raakt.

15. Wees voorzichtig wanneer u dun plaatmateriaal of de hoeken van een stuk hout gaat spijkeren.

Wanneer u dun plaatmateriaal spijkt, kunnen de spijkers er dwars doorheen vliegen, wat ook kan gebeuren als u de hoek van een stuk hout spijkt en de spijker afketst. In dergelijke gevallen dient u ervoor te zorgen dat er zich niemand (en ook geen handen, voeten e.d.) achter het dunne plaatmateriaal of naast het hout dat u wilt spijkeren bevindt.

16. Tegelijkertijd spijkeren aan beide zijden van een wand is gevaarlijk.

Onder geen enkele voorwaarde mag u aan beide zijden van een wand samen met iemand anders staan te spijkeren. Dit kan bijzonder gevaarlijk zijn daar de spijkers door de wand kunnen dringen en zo verwondingen kunnen veroorzaken.

17. Gebruik het gereedschap niet op stellingen, ladders.

Het gereedschap mag niet worden gebruikt in bijvoorbeeld de volgende gevallen:

- wanneer u van de ene spijkerplaats naar de andere moet via een steiger, trap, ladder of via dergelijke constructies, bijv. lattenwerk,
- dichtmaken van dozen of kratten,
- vastzetten van veiligheidssystemen voor het vervoer enz. op voertuigen en wagons

18. Verwijder alle resterende spijkers en de accu uit het spijkerapparaat wanneer:

- 1) u bezig bent met inspectie en onderhoud;
- 2) controle van de juiste werking van stang en trekker;
- 3) verhelpen van een verstopping;
- 4) het apparaat niet in gebruik is;

- 5) u uw werkgebied verlaat;
 - 6) u het naar een andere locatie verplaatst; en
 - 7) u het aan een ander geeft.
- Probeer een vastgelopen spijker niet te verwijderen of het spijkerapparaat niet te repareren tenzij u de accu en alle resterende spijkers uit het pistool hebt verwijderd. Het spijkerapparaat mag nooit zonder toezicht worden achtergelaten aangezien mensen die niet bekend zijn met het spijkerapparaat het misschien gebruiken en zichzelf kunnen verwonden.
19. **Gebruik bij het reinigen van het elektrische gereedschap geen benzine of andere ontvlambare vloeistoffen.**
Als er damp van een ontvlambare vloeistof in het elektrische gereedschap komt, bestaat het gevaar dat vonken die ontstaan tijdens het nieten enz. een explosie veroorzaken.
 20. **Dit apparaat dient te worden gebruikt in een omgeving met een temperatuur tussen de 0°C en 40°C. Het apparaat raakt mogelijk defect bij gebruik onder 0°C of boven 40°C.**
 21. **Zorg dat er zich NOOIT magneten (of soortgelijke magnetische apparaten) in de buurt van het spijkerapparaat bevinden, want er zit een magneet in het spijkerapparaat.**
Als u dit wel doet, zal dit leiden tot een storing of risico op letsel door verkeerd gebruik.
 22. **De machine laten rusten na continu werk.**
 23. **Het elektrisch gereedschap is uitgerust met een temperatuurbeveiligingscircuit om de motor te beschermen. Ononderbroken werk kan de temperatuur van de machine doen stijgen, waardoor het temperatuurbeveiligingscircuit wordt geactiveerd en de bediening automatisch wordt gestopt. Indien dit gebeurt, laat u het elektrisch gereedschap afkoelen voordat u het opnieuw gebruikt.**
 24. **Dit product kan stoppen met werken als er een storing is gedetecteerd.**
 25. **Kijk niet direct in het licht van het lampje.** Dit zou oogletsel kunnen veroorzaken.
Veeg vuil of onzuiverheden die op de lens van het LED-lampje zitten af met een zachte doek, en let hierbij op dat u geen krassen op de lens maakt.
Krassen op de lens van het LED-lampje kunnen resulteren in verminderde helderheid.
 7. **Gebruiken van een accu die het eind van zijn levensduur heeft bereikt zal de acculader beschadigen.**
 8. **Breng de accu naar de winkel waar deze gekocht werd, nadat deze na opladen onvoldoende kracht heeft voor praktisch gebruik.**
Gooi een accu die het eind van zijn levensduur heeft bereikt niet zomaar weg.
 9. **Stek nooit voorwerpen in de ventilatie-openingen van de acculader.**
Als er voorwerpen of ontvlambaar materiaal in de ventilatie-openingen van de acculader wordt gestoken, kan dit resulteren in een elektrische schok of schade aan de acculader.

OPMERKINGEN BIJ GEBRUIK LITHIUM-ION BATTERIJ

De lithium-ion accu is voorzien van een beschermingsfunctie die volledige ontlading van de accu voorkomt waardoor de levensduur wordt verlengd.

In geval 1 t/m 3 hieronder kan de motor tijdens het gebruik van het product tot stilstand komen, zelfs wanneer u de schakelaar ingedrukt houdt. Dit geeft geen probleem met het product aan maar wordt veroorzaakt door de beschermingsfunctie.

1. De motor komt tot stilstand wanneer de accu leeg is.
De accu moet in dit geval onmiddellijk opgeladen worden.
2. De motor kan tot stilstand komen wanneer het gereedschap overbelast wordt. Laat de schakelaar in dit geval onmiddellijk los en verhelp de oorzaak van de overbelasting. Wanneer u het probleem verholpen heeft kunt u het gereedschap opnieuw gebruiken.
3. Wanneer de accu oververhit is door overbelasting, kan het zijn dat de accu niet meer werkt.
In dit geval moet u de accu niet verder gebruiken, maar deze eerst laten afkoelen. Wanneer u het probleem verholpen heeft kunt u de accu opnieuw gebruiken.

Gelieve eveneens aandacht te schenken aan volgende waarschuwing en aandachtspunt.

WAARSCHUWING

Om acculekken, het opwekken van warmte, rookontwikkeling, explosie en ontsteking bijtijds te vermijden, moet u de volgende voorzorgsmaatregelen nemen.

1. Zorg ervoor dat er zich geen spaanders en stof op de accu ophopen.
- Zorg er tijdens de werkzaamheden voor dat er geen spaanders en stof op de accu kunnen vallen.
- Zorg ervoor dat de spaanders en het stof die tijdens het werk op het elektrisch gereedschap vallen zich niet op de accu ophopen.
- Bewaar een ongebruikte accu niet op een plaats waar deze aan spaanders en stof wordt blootgesteld.
- Verwijder alle spaanders en stof van een accu voordat u hem opbergt en bewaar de accu niet op dezelfde plek als metalen onderdelen (schroeven, spijkers, enz.).
2. Doorboor de accu niet met een scherp voorwerp, zoals een nagel, klop er niet op met een hamer, stap niet op de accu, gooi er niet mee en stel hem niet bloot aan zware fysieke schokken.
3. Gebruik geen zichtbare beschadigde of vervormde accu.
4. Gebruik de accu niet met een omgekeerde polariteit.
5. Sluit hem niet rechtstreeks aan op het stopcontact of op de sigarettenaansteker in een auto.
6. Gebruik de accu niet voor andere doeleinden dan de in deze gebruiksaanwijzing genoemde.
7. Wanneer de accu niet kan worden opgeladen, zelfs nadat de specifieke oplaadtijd verstreken is, moet u onmiddellijk stoppen met het opladen.

VOORZORGSMATREGELEN VOOR DE ACCU EN DE LADER

1. **Laad de accu op bij een omgevingstemperatuur van 0-40°C.**
Een temperatuur van minder dan 0°C zal overlading veroorzaken, hetgeen gevaarlijk is. De accu kan niet worden opgeladen bij een temperatuur van boven de 40°C.
De meest geschikte temperatuur voor het opladen is 20-25°C.
2. **Gebruik de acculader niet continu.**
Wacht ongeveer 15 minuten nadat u een accu hebt opgeladen voordat u begint met het opladen van een andere accu.
3. **Voorkom dat stof of vuil in de aansluitopening van de accu terecht komt.**
4. **Demonteer de accu of acculader niet.**
5. **Voorkom kortsluiting van de accu.**
Kortsluiten van de accu zal resulteren in een grote stroom en oververhitting. Dit zal resulteren in brandwonden en schade aan de accu.
6. **Gooi de accu niet in het vuur.**
Een brandende accu kan ontploffen.

Nederlands

8. Zorg ervoor dat de accu niet te heet wordt of onder te grote druk komt te staan en stel hem niet aan deze omstandigheden bloot, zoals in een magnetron, droger of een hogedrukcontainer.
9. Houd de accu onmiddellijk uit de buurt van vuur nadat er een lek of vieze geur is vastgesteld.
10. Gebruik de accu niet op een plek waar een grote statische elektriciteit wordt opgewekt.
11. In geval van een acculek, vieze geur, warmteontwikkeling, verkleuring of vervorming, of iets abnormaals tijdens het gebruik, het opladen of de opslag, moet u de accu onmiddellijk uit het gereedschap of de lader halen en moet u het gebruik ervan stoppen.
12. Dompel de batterij niet onder of laat geen vloeistoffen erin vloeien. Binnendringen van geleidende vloeistof, zoals water, kan schade veroorzaken, met brand of een explosie tot gevolg. Bewaar de batterij op een koele, droge plaats, uit de buurt van explosieve en licht ontvlambare voorwerpen. Vermijd omgevingen met bijtend gas.

LET OP

1. Wanneer u de lekkende vloeistof uit de accu in de ogen krijgt, wrijf dan niet in de ogen, maar was ze goed uit met zoet en schoon water, zoals kraanwater en roep er onmiddellijk een dokter bij.
Indien u geen behandeling krijgt, kan de vloeistof oogproblemen veroorzaken.
2. Wanneer de vloeistof op uw huid of kleding lekt, moet u ze onmiddellijk goed wassen met schoon water, zoals kraanwater.
De kans bestaat dat dit huidirritatie veroorzaakt.
3. Wanneer u roest, een vieze geur, oververhitting, verkleuring, vervorming en/of andere onregelmatigheden vaststelt wanneer u de accu voor de eerste keer gebruikt, gebruik hem dan niet verder, maar retourneer de accu aan uw leverancier of verkoper.

WAARSCHUWING

Als er een geleidende vreemde stof op de contacten van de lithium-ionaccu terecht komt, kan de accu worden kortgesloten, waardoor brand kan ontstaan. Wanneer u de lithium-ionaccu bewaart, dient u de volgende regels in acht te nemen.

- Plaats geen geleidende stoffen, spijkers en draden zoals ijzer- en koperdraad in de opslagdoos.
- Plaats de accu in het gereedschap of bevestig het accudeksel stevig voor opslag tot u de ventilator niet meer ziet om kortsluiting te voorkomen (**Afb. 2**).

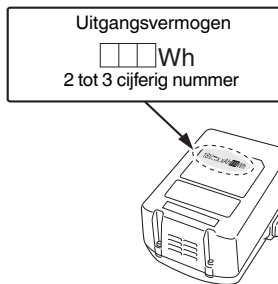
BETREFFENDE TRANSPORT VAN LITHIUM-ION ACCU

Neem bij transport van een lithium-ion accu de volgende voorzorgsmaatregelen in acht.

WAARSCHUWING

Stel het transportbedrijf op de hoogte dat er een lithium-ion accu wordt vervoerd, vermeld het vermogen en volg de instructies van het transportbedrijf bij het regelen van vervoer.

- Lithium-ion accu's die een uitgangsvermogen van 100 Wh overschrijden worden beschouwd als gevaarlijke goederen binnen de vrachtgoederenclassificatie en vereisen speciale procedures.
- Voor internationaal transport, moet u voldoen aan internationale wetgeving en wetten en voorschriften van het land van bestemming.









NAMEN VAN ONDERDELEN (Afb. 1 – Afb. 12)








①	Schietkop (uitgang)
②	Stang
③	LED-lampje
④	Trekker
⑤	Haak
⑥	Accu
⑦	Vergrendeling
⑧	Accudeksel
⑨	Aansluitklemmen
⑩	Ventilatiegaten
⑪	Lader
⑫	Kop van spijker
⑬	Schacht van spijker
⑭	Punt van spijker
⑮	Magneet
⑯	Gemagnetiseerd gebied
⑰	Spijker
⑱	Aandrijveeenheid
⑲	Metalen verbinding
⑳	Gat
㉑	Schroef
㉒	Groef
㉓	Tang

SYMBOLLEN

WAARSCHUWING

Hieronder staan symbolen afgebeeld die van toepassing zijn op deze machine. U moet de betekenis hiervan begrijpen voor u de machine gaat gebruiken.

	NH18DSL: Accu spijkerapparaat
	Om het risico op verwondingen te verminderen, moet de gebruiker de instructiehandleiding lezen.
	Bedienend personeel en anderen in het werkgebied moeten een veiligheidsbril met zijbescherming dragen.
	Richt het gereedschap nooit op uzelf of anderen in het werkgebied.
	Koppel de accu los
	Gebruik niet op steigers, ladders.

	Alleen voor EU-landen Geef elektrisch gereedschap niet met het huisvuil mee! Volgens de Europese richtlijn 2012/19/EU inzake oude elektrische en elektronische apparaten en de toepassing daarvan binnen de nationale wetgeving, dient gebruikt elektrisch gereedschap gescheiden te worden ingezameld en te worden afgevoerd naar een recyclebedrijf dat voldoet aan de geldende milieu-eisen.
	Gelijkstroom
	Gewicht (Volgens EPTA-procedure 01/2014)
	AAN zetten
	UIT zetten
	Waarschuwing
	Verboden handeling

TECHNISCHE GEGEVENS

1. Accu spijkerapparaat

Model	NH18DSL
Spanning	18 V
Aantal slagen	4000 min ⁻¹
Geschikte Spijker	ø1,7 – 4,1 mm (Zie Tabel 1)* ¹
Geschikte spijkerlengte	25 mm tot 90 mm* ¹
Gewicht* ²	1,3 – 1,9 kg
Afmeting Hoogte x Lengte	135 mm x 285 mm (BSL1815)

*1: Tegenovergesteld hout: SPF, Ceder

Mogelijk kan een nagel niet volledig in harde materialen worden gedreven, zoals hemlockspar, MDF of gelamineerd hout.

*2: Gewicht: Volgens EPTA-procedure 01/2014. Afhankelijk van de aangesloten batterij. Het zwaarste gewicht wordt gemeten met BSL36B18 (afzonderlijk verkrijgbaar).

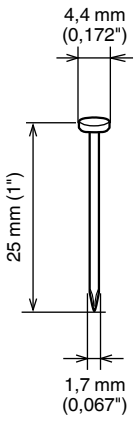
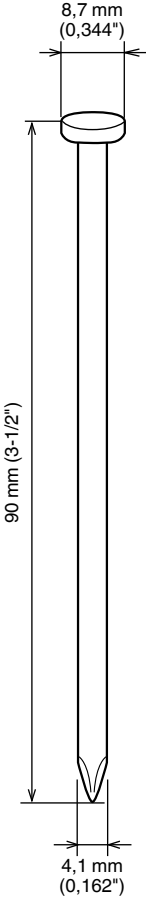
OPMERKING

Op grond van het voortdurende research en ontwikkelingsprogramma van HiKOKI kunnen de hierin genoemde technische gegevens zonder voorafgaande kennisgeving worden gewijzigd.

SPIJKERSELECTIE

Gebruik met dit spijkerapparaat spijkers van de volgende maten.

Tabel 1

Min.	Max.
 <p>4,4 mm (0,172")</p> <p>25 mm (1")</p> <p>1,7 mm (0,067")</p>	 <p>8,7 mm (0,344")</p> <p>90 mm (3-1/2")</p> <p>4,1 mm (0,162")</p>

WAARSCHUWING

- Gebruik geen spijkers van andere maten. Ze kunnen de stang beschadigen of in een schuine richting worden geschoten.
- Let goed op de afmetingen van de spijkerkop. Bij in de handel verkrijgbare losse spijkers kan de grootte van de spijkerkop variëren tussen groot en klein.
- Gebruik geen geharde spijkers.

OPMERKING

- Mogelijk kan een nagel niet volledig in harde materialen worden gedreven, zoals hemlockspar, MDF of gelamineerd hout.

STANDAARD TOEBEHOREN

WAARSCHUWING

- Het gebruik van andere dan de hieronder vermelde accessoires kan leiden tot storingen en letsel tot gevolg hebben.

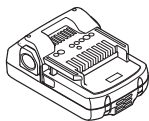
① Oogbescherming.....1



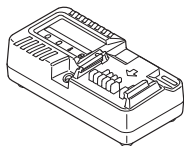
OPMERKING: accessoires kunnen zonder enige verplichting van de kant van HiKOKI worden gewijzigd.

EXTRA TOEBEHOREN (LOS VERKRIJGBAAR)

1. Accu
 - BSL1815



2. Acculader
 - UC18YKSL (Oplaadspanning: 14,4 V – 18 V)



De extra toebehoren kunnen zonder nadere aankondiging gewijzigd worden.

TOEPASSINGEN

- Houten materialen in algemene constructies, fittingen, houten vloeren, frames en renovaties

OPLADEN

Batterij en lader worden niet bij dit product geleverd. Laad oplaadbare accu's op volgens de gebruiksaanwijzing van de lader die u gebruikt. (Afb. 5)

MONTAGE EN GEBRUIK

Handeling	Afbeelding	Bladzijde
De accu plaatsen en verwijderen	3	2
Bedienen van de hoofdschakelaar	4	2
Opladen	5	3
Stangbediening controleren*1	6	3
Schieten door een spijker vast te houden met de magneet*2	7	3
Schieten door een spijker vast te houden met de vingers.*3	8	3
Een spijker op de metalen verbinding bevestigen*4	9	4
De haak gebruiken*5	10	4

Een vastgelopen spijker verwijderen	11	4
Selecteren van accessoires	—	199

*1 WAARSCHUWING

- Controleer of de stang soepel beweegt wanneer deze wordt bediend. Reinig het schuifgedeelte van de stang als deze niet soepel beweegt.

*2 WAARSCHUWING

- Houd bij het plaatsen van een spijker in de stang de schacht van de spijker vast, niet de punt.
- Bij het plaatsen van een spijker in de stang moet u ervoor zorgen dat de spijker niet op het uiteinde van de aandrijvereenheid drukt.
- Bij het plaatsen van een spijker in de stang mag u uw vingers of handen niet onder de punt van de spijker plaatsen.

*3 WAARSCHUWING

- Als u een spijker met de vingers vasthoudt bij het schieten, plaats dan eerst de punt van de spijker op het doelwit en breng daarna de stang op de spijkerkop aan.

*4 WAARSCHUWING

- Zorg er bij het schieten van een spijker voor dat de punt van de spijker in het gat van de metalen verbinding zit.

*5 LET OP

- Bij gebruik van de haak moet u het elektrische gereedschap goed bevestigen, zodat het niet per ongeluk kan vallen. Als het elektrische gereedschap valt, kan dit leiden tot een ongeluk.
- Zorg ervoor dat de accu is verwijderd bij gebruik van de haak.
- Maak de haak stevig vast. Als de haak niet stevig is bevestigd, kan dit leiden tot letsel tijdens het gebruik.

LET OP

Bij het schieten van een spijker, bedient u het apparaat voor een korte tijd en vermijdt u continu werken. Anders kan er een storing optreden of kan er vet lekken.

ONDERHOUD EN INSPECTIE

LET OP

Verwijder de accu uit het spijkerapparaat vóór onderhoud en inspectie.

WAARSCHUWING

- Koppel de accu los en verwijder de spijker uit het spijkerapparaat wanneer:
 - 1) u onderhoud en inspectie uitvoert; en
 - 2) u een vastgelopen spijker verwijdert.
- Controleer, zonder de accu aan te sluiten, of de stang gelijkmatig beweegt door het stanguiteinde tegen materiaal zoals hout te drukken.

1. Een vastgelopen spijker verwijderen (Afb. 11)

- ① Verwijder de accu uit het spijkerapparaat.
- ② Verwijder de vastgelopen spijker met een tang.
- ③ Neem bij regelmatig vastlopen contact op met een door HiKOKI erkend servicecentrum.

2. Stang inspecteren (Afb. 6)

Reinig en smeer het schuifgedeelte van de stang en de sok regelmatig.

Controleer of de stang soepel beweegt door het spijkerapparaat tegen materiaal zoals hout te drukken. Als ijzerpoeders en dergelijke zich aan het gemagnetiseerde gebied in de stang hechten, kan de kracht om een spijker magnetisch vast te houden afnemen. Veeg het gebied af en toe schoon met een doek of plakband.

Verwijder af en toe ook het ijzerpoeder op de magneet aan de buitenkant van de stang met een doek of plakband.

Hierdoor werkt de stang soepeler.

Nederlands

3. Inspectie van bevestigingsschroeven

Controleer alle bevestigingsschroeven regelmatig en zorg ervoor dat ze goed aangedraaid zijn. Draai los zittende schroeven onmiddellijk vast. Doet u dit niet, dan kunnen ernstige gevaren het gevolg zijn.

4. Onderhoud van de motor

De motorwikkeling is het „hart” van het elektrisch gereedschap. Let er daarom goed op dat de wikkeling niet beschadigd raakt en/of nat wordt met olie of water.

5. Reinigen van de behuizing

Wanneer het elektrisch gereedschap vuil is, veegt u het af met een zachte, droge doek of een doek bevochtigd met een zeepopje. Gebruik geen chemische middelen zoals chloor, of vloeistoffen zoals benzine of verfverdunner, want deze kunnen het plastic vervormen of zelfs smelten.

6. Opbergen

Bewaar het elektrisch gereedschap en de accu op een plaats waar de temperatuur lager is dan 40°C en buiten het bereik van kinderen is.

OPMERKING

Opbergen van lithium-ion accu's.

Zorg dat de lithium-ion accu volledig is opgeladen voordat u deze opbergt.

Langdurig opbergen (3 maanden of langer) van een accu die bijna leeg is kan resulteren in slechtere prestaties, een sterke afname van de gebruiksduur van de accu en ook is het mogelijk dat de accu niet meer opgeladen kan worden.

Een sterke afname van de gebruiksduur van de accu kan soms wel weer verholpen worden door de accu herhaaldelijk, van twee- tot vijfmaal, op te laden en te gebruiken.

Als de gebruiksduur van de accu zeer kort blijft nadat deze meerdere malen is opgeladen en gebruikt, is de accu versleten en dient u een nieuwe accu aan te schaffen.

LET OP

Bij gebruik en onderhoud van elektrisch gereedschap dienen de in het land waar u zich bevindt geldende veiligheidsregelgeving en veiligheidsstandaarden strikt te worden opgevolgd.

Belangrijke informatie voor de accu's van HiKOKI snoerloos elektrisch gereedschap

Gebruik altijd een van onze voorgeschreven originele accu's. Wij kunnen de veiligheid en prestatie van ons snoerloos elektrisch gereedschap niet garanderen bij gebruik van andere dan de voorgeschreven accu's, of als de accu gedemonteerd of gewijzigd is (zoals demontage of vervanging van accucellen of andere inwendige onderdelen).

GARANTIE

De garantie op het elektrisch gereedschap van HiKOKI is in overeenstemming met de wettelijke/landspecifieke richtlijnen. Deze garantie dekt geen defecten of schade als gevolg van foutief gebruik, misbruik of normale slijtage. In geval van klachten verzoeken wij u het elektrisch gereedschap samen met het GARANTIECERTIFICAAT dat u achterin deze handleiding aantreft naar een erkend servicecentrum van HiKOKI te sturen.

Informatie betreffende lawaai en trillingen

De gemeten waarden zijn verkregen overeenkomstig EN62841 en voldoen aan de eisen van ISO 4871.

Gemeten A-gewogen geluidsniveau: 107 dB (A)

Gemeten A-gewogen geluidsdrukniveau: 96 dB (A)

Onzekerheid K: 3 dB (A).

Draag gehoorbescherming.

Totale trillingswaarden (triax vector som) bepaald overeenkomstig EN62841.

Trillingsemissiewaarde: 15,5 m/s²

Onzekerheid K = 1,5 m/s²

De opgegeven totale trillingswaarde en de opgegeven geluidsemissiewaarde zijn gemeten in overeenstemming met een standaardtestmethode en kunnen worden gebruikt om het ene gereedschap met het andere te vergelijken.

Ze kunnen ook worden gebruikt in een voorlopige beoordeling van de blootstelling.

WAARSCHUWING

- De trillings- en geluidsemissie tijdens het werkelijke gebruik van het elektrische gereedschap kan verschillen van de opgegeven totale waarde afhankelijk van de manieren waarop het gereedschap wordt gebruikt, vooral wat voor soort werkstuk wordt verwerkt; en
- Neem kennis van de veiligheidsmaatregelen voor de bescherming van de gebruiker die gebaseerd zijn op een schatting van de blootstelling onder feitelijke gebruiksomstandigheden (rekening houdend met alle onderdelen van de gebruikscyclus, zoals de tijd dat het gereedschap is uitgeschakeld en wanneer dit onbelast draait inclusief de trigger tijd).

OPMERKING

Op grond van het voortdurende research en ontwikkelingsprogramma van HiKOKI kunnen de hierin genoemde technische gegevens zonder voorafgaande kennisgeving worden gewijzigd.

ADVERTENCIAS DE SEGURIDAD GENERAL DE LA HERRAMIENTA ELÉCTRICA

⚠ ADVERTENCIA

Lea todas las advertencias de seguridad, instrucciones, ilustraciones y especificaciones incluidas con esta herramienta.

Si no se siguen las instrucciones indicadas a continuación podría producirse una descarga eléctrica, un incendio o daños graves.

Guarde todas las advertencias e instrucciones para futura referencia.

El término "herramienta eléctrica" en las advertencias hace referencia a la herramienta eléctrica que funciona con la red de suministro (con cable) o a la herramienta eléctrica que funciona con pilas (sin cable).

1) Seguridad del área de trabajo

- Mantenga la zona de trabajo limpia y bien iluminada.**
Las zonas desordenadas u oscuras pueden provocar accidentes.
- No utilice las herramientas eléctricas en entornos explosivos como, por ejemplo, en presencia de líquidos inflamables, gases o polvo.**
Las herramientas eléctricas crean chispas que pueden inflamar el polvo o los gases.
- Mantenga a los niños y transeúntes alejados cuando utilice una herramienta eléctrica.**
Las distracciones pueden hacer que pierda el control.

2) Seguridad eléctrica

- Los enchufes de las herramientas eléctricas tienen que ser adecuados a la toma de corriente. No modifique el enchufe. No utilice enchufes adaptadores con herramientas eléctricas conectadas a tierra.**
Si no se modifican los enchufes y se utilizan tomas de corriente adecuadas se reducirá el riesgo de descarga eléctrica.
- Evite el contacto corporal con superficies conectadas a tierra como tuberías, radiadores y frigoríficos.**
Hay mayor riesgo de descarga eléctrica si su cuerpo está en contacto con el suelo.
- No exponga las herramientas eléctricas a la lluvia o a la humedad.**
La entrada de agua en una herramienta eléctrica aumentará el riesgo de descarga eléctrica.
- No utilice el cable incorrectamente. No utilice el cable para transportar, tirar de la herramienta eléctrica o desenchufarla.**
Mantenga el cable alejado del calor, del aceite, de bordes afilados o piezas móviles.
Los cables dañados o enredados aumentan el riesgo de descarga eléctrica.
- Cuando utilice una herramienta eléctrica al aire libre, utilice un cable prolongador adecuado para utilizarse al aire libre.**
La utilización de un cable adecuado para usarse al aire libre reduce el riesgo de descarga eléctrica.
- Si no se puede evitar el uso de una herramienta eléctrica en un lugar húmedo, utilice un suministro protegido mediante un dispositivo de corriente residual (RCD).**
El uso de un RCD reduce el riesgo de descarga eléctrica.

3) Seguridad personal

- Esté atento, preste atención a lo que hace y utilice el sentido común cuando utilice una herramienta eléctrica.**
No utilice una herramienta eléctrica cuando esté cansado o esté bajo la influencia de drogas, alcohol o medicación.
Una distracción momentánea mientras utiliza herramientas eléctricas puede dar lugar a lesiones personales graves.
- Utilice un equipo de protección personal. Utilice siempre una protección ocular.**
El equipo de protección como máscara para el polvo, zapatos de seguridad antideslizantes, casco rígido o protección auditiva utilizado en las situaciones adecuadas reducirá las lesiones personales.
- Evite un inicio involuntario. Asegúrese de que el interruptor esté en "off" antes de conectar la herramienta a una fuente de alimentación o batería, cogerla o transportarla.**
El transporte de herramientas eléctricas con el dedo en el interruptor o el encendido de herramientas eléctricas con el interruptor encendido puede provocar accidentes.
- Retire las llaves de ajuste antes de encender la herramienta eléctrica.**
Si se deja una llave en una pieza giratoria de la herramienta eléctrica podrían producirse lesiones personales.
- No se extralimite. Mantenga un equilibrio adecuado en todo momento.**
Esto permite un mayor control de la herramienta eléctrica en situaciones inesperadas.
- Vístase adecuadamente. No lleve prendas sueltas o joyas. Mantenga el cabello y la ropa alejados de las partes móviles.**
La ropa suelta, las joyas y el pelo largo pueden quedar atrapados en las piezas móviles.
- Si se proporcionan dispositivos para la conexión de extracción de polvo e instalaciones de recogida, asegúrese de que estén conectados y se utilicen adecuadamente.**
La utilización de un sistema de recogida de polvo puede reducir los riesgos relacionados con el polvo.
- No deje que la familiaridad adquirida con el uso frecuente de herramientas le permitan caer en la complacencia e ignorar los principios de seguridad de la herramienta.**
Una acción descuidada puede causar lesiones graves en una fracción de segundo.

4) Utilización y mantenimiento de las herramientas eléctricas

- No fuerce la herramienta eléctrica. Utilice la herramienta eléctrica correcta para su aplicación.**
La herramienta eléctrica correcta trabajará mejor y de forma más segura si se utiliza a la velocidad para la que fue diseñada.
- No utilice la herramienta eléctrica si el interruptor no la enciende y apaga.**
Las herramientas eléctricas que no pueden controlarse con el interruptor son peligrosas y deben repararse.
- Desconecte el enchufe de la fuente eléctrica y/o retire la batería, si es extraíble, de la herramienta eléctrica antes de hacer ajustes, cambiar accesorios o almacenar herramientas eléctricas.**
Estas medidas de seguridad preventivas reducen el riesgo de que la herramienta eléctrica se ponga en marcha accidentalmente.

- d) **Guarde las herramientas eléctricas que no se utilicen fuera del alcance de los niños, y no permita que utilicen las herramientas eléctricas personas no familiarizadas con las mismas o con estas instrucciones.**
Las herramientas eléctricas son peligrosas si son utilizadas por usuarios sin formación.
- e) **Realice el mantenimiento de las herramientas eléctricas y accesorios. Compruebe si las piezas móviles están mal alineadas o unidas, si hay alguna pieza rota u otra condición que pudiera afectar al funcionamiento de las herramientas eléctricas. Si la herramienta eléctrica está dañada, llévela a reparar antes de utilizarla.**
Se producen muchos accidentes por no realizar un mantenimiento correcto de las herramientas eléctricas.
- f) **Mantenga las herramientas de corte afiladas y limpias.**
Las herramientas de corte correctamente mantenidas con los bordes de corte afilados son más fáciles de controlar, y existe menor riesgo de que se atasquen.
- g) **Utilice la herramienta eléctrica, los accesorios y las brocas de la herramienta, etc. de acuerdo con estas instrucciones, teniendo en cuenta las condiciones de trabajo y el trabajo que se va a realizar.**
La utilización de la herramienta eléctrica para operaciones diferentes a las previstas podría dar lugar a una situación peligrosa.
- h) **Mantenga los mangos y las superficies de agarre secas, limpias y libres de aceite y grasa.**
Los mangos y las superficies de agarre resbaladizos no permiten el manejo y el control seguros de la herramienta en situaciones inesperadas.
- 5) **Utilización y mantenimiento de las herramientas a batería**
- a) **Recargue solo con el cargador especificado por el fabricante.**
Un cargador adecuado para un tipo de batería podría crear peligro de incendio si se utiliza con otra batería.
- b) **Utilice herramientas eléctricas solo con baterías designadas específicamente.**
La utilización de otras baterías podría crear peligro de daños e incendio.
- c) **Cuando no se utilice la batería, manténgala alejada de otros objetos metálicos como clips de papel, monedas, llaves, clavos, tornillos u otros objetos metálicos pequeños que puedan crear una conexión entre un terminal y otro.**
Si se cortocircuitan los terminales de la batería, podrían producirse quemaduras o un incendio.
- d) **En condiciones de uso excesivo, la batería podría expulsar líquido; evite todo contacto. Si se produce un contacto accidentalmente, lávese con agua. Si entra líquido en los ojos, solicite atención médica.**
El líquido de la batería podría causar irritación o quemaduras.
- e) **No utilice un paquete de baterías o una herramienta que esté dañada o modificada.**
Las baterías dañadas o modificadas pueden presentar un comportamiento impredecible que provoque un incendio, una explosión o un riesgo de lesiones.
- f) **No exponga el paquete de baterías o la herramienta al fuego o a una temperatura excesiva.**
La exposición al fuego o a una temperatura por encima de 130°C puede causar una explosión.
- g) **Siga todas las instrucciones de carga y no cargue el paquete de baterías o la herramienta fuera del intervalo de temperatura especificado en las instrucciones.**
La carga incorrecta o a temperaturas fuera del intervalo especificado puede dañar la batería y aumentar el riesgo de incendio.
- 6) **Revisión**
- a) **Solicite a un experto cualificado que revise la herramienta eléctrica y que utilice solo piezas de repuesto idénticas.**
Esto garantizará el mantenimiento de la seguridad de la herramienta eléctrica.
- b) **Nunca repare los paquetes de baterías dañados.**
El mantenimiento de los paquetes de baterías debe ser llevado a cabo solamente por el fabricante o por proveedores de servicio autorizados.

PRECAUCIÓN

Mantenga a los niños y a las personas enfermas alejadas.

Cuando no se utilicen, las herramientas deben almacenarse fuera del alcance de los niños y de las personas enfermas.

ADVERTENCIAS DE SEGURIDAD DE LA CLAVADORA A BATERÍA CON MARTILLO

1. Presuma siempre que la herramienta contiene clavos.

El manejo descuidado de la clavadora con martillo puede provocar un disparo de clavos inesperado y producir lesiones personales.

2. No apunte la herramienta hacia usted ni hacia las personas que estén cerca.

Un disparo inesperado descargará el clavo, causando una lesión.

3. No active la herramienta a no ser que esté firmemente colocada contra la pieza de trabajo.

Si la herramienta no está en contacto con la pieza de trabajo, el clavo puede desviarse de su objetivo.

4. Desconecte la herramienta de la fuente de alimentación cuando el clavo se atasca en la herramienta.

Mientras retire un clavo atascado, la clavadora con martillo se puede activar accidentalmente si está enchufada.

5. No use esta clavadora con martillo para sujetar cables eléctricos.

No está diseñado para la instalación de cables eléctricos y puede dañar el aislamiento de los mismos, causando descargas eléctricas o riesgos de incendio.

6. Utilice protección auditiva

La exposición al ruido puede provocar pérdidas de capacidad auditiva.

7. Utilice los mangos auxiliares en el caso de que se proporcionen con la herramienta.

La pérdida de control puede causar lesiones personales.

8. Sujete la herramienta eléctrica por las superficies de agarre aisladas cuando realice una operación en la que el pasador pueda entrar en contacto con el cableado oculto.

El contacto con cables "vivos" puede hacer que las partes metálicas expuestas de la herramienta eléctrica se vuelvan "vivas" y pueden proporcionar una descarga eléctrica al operador.

ADVERTENCIAS DE SEGURIDAD ADICIONALES

1. Asegúrese de sostener la herramienta de forma segura durante su funcionamiento.

Si no lo hace, se pueden producir accidentes o lesiones personales. (Fig. 12)

2. Emplee la herramienta correctamente para que la operación sea segura.

Esta herramienta ha sido diseñada para clavar clavos en madera y materiales similares. Empléela solamente para los propósitos indicados.

3. Tenga cuidado para evitar fuegos y explosiones.

Puesto que pueden salir disparadas chispas durante la operación de clavado, es muy peligroso emplear la herramienta cerca de lacas, pinturas, bencinas, disolventes, gasolina, adhesivos y sustancias inflamables similares puesto que podrían encenderse o explotar. Bajo ninguna circunstancia deberá emplear esta herramienta en la vecindad de tales materiales inflamables.

4. Protéjase siempre los ojos (con unas gafas protectoras).



Cuando opere la herramienta eléctrica, siempre protéjase los ojos y asegúrese de que las personas que puedan encontrarse en los alrededores también se los hayan protegido.

Existe una gran posibilidad de que salgan disparados fragmentos de los clavos lo que es una amenaza para los ojos. Protéjase siempre los ojos mientras opera la herramienta. Puede protegerse los ojos con unas gafas protectoras o también ponerse una máscara de visión amplia encima de gafas graduadas si es que las lleva.

Los encargados deben siempre hacer obligatorio el empleo de protección para los ojos.

5. Protéjase los oídos y la cabeza.

Cuando tenga que efectuar un trabajo de clavado póngase orejeras y protección en la cabeza. También, dependiendo de las condiciones, asegúrese de que las personas que pueda haber en los alrededores también llevan orejeras y protección en la cabeza.

6. Ponga mucha atención en los que trabajan cerca de usted.

Sería muy peligroso si los clavos que no son clavados correctamente golpearan a otras personas. Por lo tanto, ponga siempre mucha atención a la seguridad de las personas que pueda haber en los alrededores cuando emplee la herramienta. Asegúrese siempre de que el cuerpo, manos o pies de ninguna persona estén cerca de la salida de los clavos.

7. No dirija nunca la salida de los clavos hacia ninguna persona.



De por hecho siempre que la herramienta contiene fijaciones.

Si la salida de los clavos enfoca hacia personas, podrían producirse accidentes si descarga erróneamente la herramienta. Al conectar y desconectar la batería, durante la carga de clavos o durante operaciones similares, asegúrese de que la salida de clavos no esté orientada hacia ninguna persona (incluido usted mismo). Incluso cuando no hay clavos cargados, es peligroso descargar la herramienta cuando se apunta hacia alguien, por lo que nunca debe hacerlo. No juegue nunca con ella. Respete la herramienta como método de trabajo.

8. Verifique la varilla antes de usar.

Asegúrese de que la varilla funcione correctamente. Nunca use la clavadora con martillo a menos que la varilla esté funcionando correctamente, de lo contrario, la clavadora con martillo podría clavar un clavo inesperadamente. No altere ni retire la varilla, de lo contrario la varilla será inutilizable.

9. Emplee solamente los clavos especificados.

No emplee nunca otros clavos que no sean los especificados y descritos en este manual de instrucciones.

10. Tenga cuidado al conectar la batería.

Cuando conecte la batería y cargue clavos, para no accionar la herramienta por error, asegúrese de lo siguiente.

- No toque el gatillo.
- No permita que el cabezal de disparo se ponga en contacto con ninguna superficie.
- Mantenga el cabezal de disparo hacia abajo. Observe estrictamente las instrucciones de arriba y asegúrese siempre de que ninguna parte de su cuerpo, manos o pies se encuentra delante de la salida de los clavos.

11. No coloque descuidadamente el dedo en el gatillo.

No coloque el dedo en el gatillo excepto cuando vaya a efectuar la operación de clavado. Si transporta la herramienta o se la pasa a alguien teniendo usted el dedo en el gatillo, podría descargar inadvertidamente un clavo causando un accidente serio.

12. Presione firmemente la salida de los clavos contra el material donde vaya a efectuar el clavado.

Cuando clave clavos, presione firmemente la salida de los clavos contra el material donde vaya a efectuar el clavado. Si la salida no está correctamente colocada, los clavos rebotarán.

13. Mantenga las manos y pies alejados del cabezal de disparo durante la operación.

Es muy peligroso si un clavo se clavase en una mano o pie por error.



14. Tenga en cuenta el retorno de la herramienta.

No acerque la parte superior de la herramienta a su cabeza, etc., durante la operación. Es muy peligroso puesto que la herramienta podría retroceder violentamente si el clavo que está siendo clavado contactara con otro clavo o grapa que ya estuviera clavado en la madera.

15. Tenga cuidado cuando efectúe el clavado en tableros delgados o en las esquinas de la madera.

Cuando efectúe el clavado en tableros delgados, los clavos pueden traspasarlos, así como también cuando clave las esquinas de madera debido a la desviación de los clavos. En tales casos, asegúrese siempre de que no haya nadie (ni ninguna mano, pie, etc., de nadie) detrás del tablero o cerca de la madera que vaya a clavar.

16. El clavado simultáneo en ambos lados de la misma pared es peligroso.

Bajo ninguna circunstancia deberá clavar en ambos lados de una pared a la vez. Podría ser muy peligroso puesto que los clavos podrían pasar a través de la pared y causar daños personales.

17. No utilice la herramienta eléctrica sobre andamios o escaleras.

La herramienta eléctrica no deberá utilizarse para aplicaciones específicas, como por ejemplo:

- cuando el cambio de un sitio de clavado a otro implica el uso de andamiaje, escalones, escaleras, construcciones similares a una escalera, como por ejemplo, listones,
- cierre de cajas o huacales,

Español

- fijación de sistemas de seguridad para el transporte, por ej., en vehículos y vagones

18. Retire todos los clavos restantes y la batería de la clavadora con martillo cuando:

- 1) realice el mantenimiento y la inspección;
- 2) se verifique el funcionamiento correcto de la varilla y el gatillo;
- 3) libere un atasco;
- 4) no esté en uso;
- 5) abandone la zona de trabajo;
- 6) la traslade a otra ubicación; y
- 7) la entregue a otra persona.

Nunca intente liberar un atasco ni reparar la clavadora con martillo a menos que haya extraído la batería y todos los clavos restantes de la clavadora con martillo.

La clavadora con martillo nunca se debe dejar desatendida, ya que personas que no están familiarizadas con la clavadora con martillo pueden manejarla y lesionarse.

19. Al limpiar la herramienta eléctrica, no utilice gasolina u otros líquidos inflamables.

Si el vapor de un líquido inflamable se introduce en la herramienta eléctrica, existe el peligro de que las chispas producidas al grapar, etc. puedan causar una explosión.

20. El entorno operativo para este dispositivo es de 0°C a 40°C, por lo que debe utilizarlo dentro de este rango de temperatura. El dispositivo puede fallar por debajo de 0°C y por encima de 40°C.

21. NUNCA permita que imanes (o dispositivos magnéticos similares) se acerquen a la clavadora con martillo, ya que la clavadora con martillo tiene un imán en su interior.

Hacerlo causará un fallo o riesgos de sufrir lesiones por un funcionamiento incorrecto.

22. Reposo de la herramienta después de un funcionamiento prolongado.

23. La herramienta eléctrica está equipada con un circuito de protección de temperatura para proteger el motor. Un trabajo continuo podría ocasionar que la temperatura de la unidad se eleve, activando el circuito de protección de temperatura y deteniendo automáticamente la operación. Si esto sucede, deje que la herramienta eléctrica se enfríe antes de volver a utilizarla.

24. Este producto podría dejar de funcionar cuando se detecta una anomalía.

25. No mire directamente a la luz. Hacerlo podría provocar lesiones oculares.

Limpie cualquier resto de polvo o suciedad enganchado al objetivo de la luz LED con un paño suave, procurando no rayar la lente.

Los arañazos en la lente de la luz LED pueden resultar en una reducción del brillo.

5. No cortocircuite nunca la batería recargable.

Cortocircuitar la batería provocará tensión eléctrica muy elevada y sobrecalentamiento. Derivará en quemaduras o en daños a la batería.

6. No arroje la batería al fuego.

Si la batería se quema puede explotar.

7. El uso de una batería agotada dañará el cargador.

8. Lleve la batería al establecimiento de compra original en caso de que la duración de la batería recargable sea reducida al usarse.

No tire la batería descargada.

9. No inserte objetos en las ranuras de ventilación del cargador.

La inserción de objetos metálicos o inflamables en dichas ranuras puede provocar descargas eléctricas o daños en el cargador.

ADVERTENCIAS RELATIVAS A LA BATERÍA DE LITIO

Para ampliar su duración, la batería de litio está equipada con la función de protección para detener la salida.

En los casos 1 a 3 descritos a continuación, cuando utiliza este producto, incluso si acciona el interruptor, el motor puede detenerse. No es un problema, sino el resultado de la función de protección.

1. Cuando la batería restante se agota, el motor se detiene. En este caso, cárguela inmediatamente.
2. Si la herramienta se sobrecarga, el motor puede detenerse. En este caso, suelte el interruptor de la herramienta y elimine las causas de la sobrecarga. A continuación, puede volver a utilizarla.
3. Si la batería se calienta excesivamente al realizar un trabajo de sobrecarga, la alimentación de la batería podría detenerse. En este caso, deje de utilizar la batería y deje que se enfríe. A continuación, puede volver a utilizarla.

Asimismo, preste atención a las siguientes advertencias y precauciones.

ADVERTENCIA

Para evitar fugas de la batería, generación de calor, emisión de humo, explosiones e igniciones, preste atención a las siguientes precauciones.

1. Asegúrese de que no entran virutas o polvo en la batería.
- Durante el trabajo, asegúrese de que no caen virutas o polvo en la batería.
- Asegúrese de que las virutas o el polvo que caen sobre la herramienta eléctrica durante el trabajo no entran en la batería.
- No almacene una batería sin utilizar en un lugar expuesto a virutas y polvo.
- Antes de almacenar una batería, retire las virutas y el polvo que se hayan adherido y no la almacene junto a piezas metálicas (tornillos, clavos, etc.).
2. No perforo la batería con un objeto afilado como un clavo, no la golpee con un martillo, la pise, la tire ni la exponga a fuertes impactos físicos.
3. No utilice una batería que parezca estar dañada o deformada.
4. No utilice la batería con las polaridades cambiadas.
5. No conecte la batería directamente a salidas eléctricas ni a tomas de mechero de automóviles.
6. No utilice la batería para un fin diferente a los especificados.
7. Si la carga de la batería no finaliza ni siquiera cuando ha transcurrido el tiempo de carga especificado, detenga inmediatamente el proceso de carga.
8. No coloque o exponga la batería a temperaturas elevadas o alta presión, como en un microondas, una secadora o en un recipiente de alta presión.

PRECAUCIONES PARA LA BATERÍA Y EL CARGADOR

1. Cargue siempre la batería a una temperatura ambiente que oscile entre los 0 y los 40 °C.

Las temperaturas inferiores a 0 °C provocarán un exceso de carga, situación que resulta peligrosa. La batería no puede cargarse a temperaturas superiores a los 40 °C. La temperatura de carga idónea es entre los 20 y 25 °C.

2. No utilice el cargador de forma continua.

Cuando finalice una carga, deje el cargador sin uso durante unos 15 minutos antes de la siguiente carga de la batería.

3. No deje que entren sustancias extrañas por el orificio de conexión de la batería recargable.

4. No desmonte nunca la batería recargable ni el cargador.

9. Aléjela del fuego inmediatamente cuando se detecte una fuga o un olor raro.
10. No la utilice en un lugar donde se generen grandes cantidades de electricidad estática.
11. Si se producen fugas de batería, mal olor, se genera calor, la batería está descolorida o deformada, o presenta algún tipo de funcionamiento anómalo durante su uso, recarga o almacenamiento, retírela inmediatamente del equipo o del cargador de la batería y detenga su utilización.
12. No sumerja la batería ni permita que fluya hacia el interior fluido alguno. La entrada de líquido conductivo, como agua, puede causar daños que resultarán en un incendio o una explosión. Guarde la batería en un lugar fresco y seco, lejos de materiales inflamables y combustibles. Se deben evitar atmósferas de gas corrosivo.

PRECAUCIÓN

1. Si el líquido de fuga de la batería entra en contacto con los ojos, no se los frote y lávelos bien con agua limpia como, por ejemplo, agua del grifo, y póngase en contacto con un médico inmediatamente. Si no se trata, el líquido podría causar problemas de visión.
2. Si el líquido de fuga entra en contacto con la piel o la ropa, lávela bien con agua limpia como, por ejemplo, agua del grifo, inmediatamente. Podría producir irritación cutánea.
3. Si observa óxido, mal olor, recalentamiento, decoloración, deformación u otras irregularidades al utilizar la batería por primera vez, no la utilice y devuélvala al proveedor o distribuidor.

ADVERTENCIA

Si una sustancia extraña conductiva accede al terminal de la batería de iones de litio, esta podría sufrir un cortocircuito y provocar un incendio. Cuando guarde la batería de iones de litio, asegúrese de respetar las siguientes reglas.

- No deje restos conductivos, clavos ni cables, como por ejemplo cables de hierro o de cobre, en el estuche de almacenamiento.
- Para evitar que se produzcan cortocircuitos, cargue la batería en la herramienta o fije con firmeza la tapa de la batería hasta que deje de verse el ventilador (Fig. 2).


A PROPÓSITO DEL TRANSPORTE DE LA BATERÍA DE IONES DE LITIO

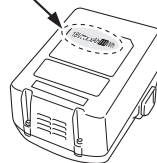
Al transportar una batería de iones de litio, tenga en cuenta las siguientes precauciones.

ADVERTENCIA

Notifique a la compañía de transporte que un paquete contiene una batería de iones de litio, informe a la compañía eléctrica de su potencia de salida y siga las instrucciones de la compañía de transporte al preparar su transporte.

- Las baterías de iones de litio que superen una potencia de salida de 100 Wh se considera que son materiales peligrosos en la Clasificación de Transporte y requieren procedimientos de aplicación especiales.
- Para el transporte en el extranjero, deberá cumplir con las leyes internacionales y las normas y regulaciones del país de destino.

Potencia de salida
 Wh
 Número de 2 o 3 dígitos









NOMBRES DE LAS PIEZAS (Fig. 1 – Fig. 12)








①	Cabezal de disparo (salida)
②	Varilla
③	Luz LED
④	Gatillo
⑤	Gancho
⑥	Batería
⑦	Cierre
⑧	Tapa de la batería
⑨	Terminales
⑩	Agujeros de ventilación
⑪	Cargador
⑫	Cabeza del clavo
⑬	Eje del clavo
⑭	Punta del clavo
⑮	Imán
⑯	Área magnetizada
⑰	Clavo
⑱	Unidad de accionamiento
⑲	Unión de metal
⑳	Agujero
㉑	Tornillo
㉒	Ranura
㉓	Alicates

SÍMBOLOS

ADVERTENCIA

A continuación se muestran los símbolos usados para la máquina. Asegúrese de comprender su significado antes del uso.

	NH18DSL: Clavadora a batería con martillo
	Para reducir el riesgo de lesiones, el usuario deberá leer el manual de instrucciones.
	Los operarios y otras personas en la zona de trabajo deberán utilizar gafas de seguridad con protección lateral.
	Nunca oriente la herramienta hacia usted ni hacia ninguna otra persona en la zona de trabajo.
	Desconecte la batería
	No usar en andamios ni escaleras de mano.

	Solo para países de la Unión Europea ¡No deseche los aparatos eléctricos junto con los residuos domésticos! De conformidad con la Directiva Europea 2012/19/UE sobre residuos de aparatos eléctricos y electrónicos y su aplicación de acuerdo con la legislación nacional, las herramientas eléctricas cuya vida útil haya llegado a su fin se deberán recoger por separado y trasladar a una planta de reciclaje que cumpla con las exigencias ecológicas.
	Corriente continua
	Peso (en conformidad con el procedimiento EPTA 01/2014)
	Encendido
	Apagado
	Advertencia
	Acción prohibida

ESPECIFICACIONES

1. Clavadora a batería con martillo

Modelo	NH18DSL
Tensión	18 V
Cantidad de golpes	4000 min ⁻¹
Clavo aplicable	ø1,7 – 4,1 mm (Consulte la Tabla 1)*1
Longitud de clavo aplicable	25 mm a 90 mm*1
Peso*2	1,3 – 1,9 kg
Dimensiones Altura x Longitud	135 mm x 285 mm (BSL1815)

*1: Madera opuesta: SPF, cedro

Es posible que no pueda clavar completamente un clavo en materiales duros como el abeto oriental, el MDF o la madera laminada.

*2: Peso: En conformidad con el procedimiento EPTA 01/2014. Dependiendo de la batería conectada. El peso más pesado se mide con BSL36B18 (se vende por separado).

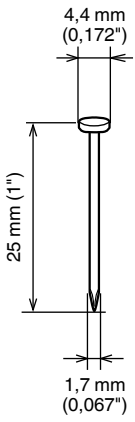
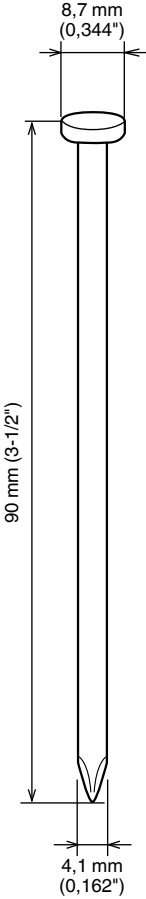
NOTA

Debido al programa continuo de investigación y desarrollo de HIKOKI estas especificaciones están sujetas a cambio sin previo aviso.

SELECCIÓN DE CLAVO

Use clavos en los siguientes tamaños para esta clavadora con martillo.

Tabla 1

Min.	Max.
 <p>4,4 mm (0,172")</p> <p>25 mm (1")</p> <p>1,7 mm (0,067")</p>	 <p>8,7 mm (0,344")</p> <p>90 mm (3-1/2")</p> <p>4,1 mm (0,162")</p>

ADVERTENCIA

- No use clavos de ningún otro tamaño. Pueden dañar la varilla o dispararse en una dirección inclinada.
- Tenga cuidado con los tamaños de la cabeza del clavo. El tamaño de la cabeza del clavo puede variar entre grande y pequeño con clavos a granel comercialmente disponibles.
- No use clavos endurecidos.

NOTA

- Es posible que no pueda clavar completamente un clavo en materiales duros como el abeto oriental, el MDF o la madera laminada.

ACCESORIOS ESTÁNDAR

ADVERTENCIA

- Los accesorios que no sean los que se muestran a continuación pueden ocasionar un mal funcionamiento y provocar lesiones.

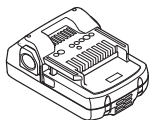
① Protección ocular.....1



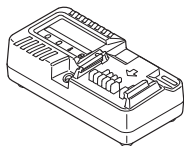
NOTA: Los accesorios están sujetos a cambios sin ninguna obligación por parte de HiKOKI.

ACCESORIOS OPCIONALES (DE VENTA POR SEPARADO)

1. Batería
 - BSL1815



2. Cargador
 - UC18YKSL (Tensión de carga: 14,4 V – 18 V)



Los accesorios facultativos están sujetos a cambio sin previo aviso.

APLICACIÓN

- Materiales de madera en construcciones generales, accesorios, cubiertas de madera, marcos y renovaciones

CARGA

La batería y el cargador de la batería no están incluidos en este producto.

Para cargar las baterías recargables, hágalo como se indica en las instrucciones de manejo del cargador que está usando. (Fig. 5)

MONTAJE Y FUNCIONAMIENTO

Acción	Figura	Página
Inserción y extracción de la batería	3	2
Operación del interruptor	4	2
Carga	5	3
Verificación de las operaciones de la varilla*1	6	3
Disparar sosteniendo un clavo con el imán*2	7	3
Disparar sosteniendo un clavo con los dedos.*3	8	3
Fijar un clavo en la junta de metal*4	9	4
Uso del gancho*5	10	4

Eliminación de un atasco	11	4
Selección de los accesorios	—	199

*1 ADVERTENCIA

- Asegúrese de que la varilla se desliza suavemente cuando se opera. Limpie el área deslizante de la varilla si no se desliza suavemente.

*2 ADVERTENCIA

- Cuando cargue un clavo en la varilla, sostenga el eje del clavo en lugar de la punta.
- Cuando cargue un clavo en la varilla, asegúrese de no presionar la punta de la unidad de accionamiento.
- Cuando cargue un clavo en la varilla, no coloque sus dedos o manos debajo de la punta de un clavo.

*3 ADVERTENCIA

- Al disparar un clavo sosteniéndolo con los dedos, coloque primero la punta del clavo en un objetivo y luego inserte la varilla en la cabeza del clavo.

*4 ADVERTENCIA

- Al disparar un clavo, asegúrese de que la punta del clavo esté en el orificio de la unión de metal.

*5 PRECAUCIÓN

- Al usar el gancho, cuegue la herramienta eléctrica con firmeza para que no se caiga accidentalmente. Si la herramienta eléctrica se cae, podría causar un accidente.
- Asegúrese de que la batería no esté colocada al usar el gancho.
- Instale el gancho correctamente. Si el gancho no está correctamente instalado, podría provocar lesiones durante su uso.

PRECAUCIÓN

Al disparar un clavo, opere por un periodo corto de tiempo y evite el trabajo continuo. De lo contrario podría provocar un fallo en el funcionamiento o fugas de grasa.

MANTENIMIENTO E INSPECCIÓN

PRECAUCIÓN

Asegúrese de extraer la batería de la clavadora con martillo antes de la inspección y el mantenimiento.

ADVERTENCIA

- Desconecte la batería y retire el clavo de la clavadora con martillo cuando:
 - 1) realice el mantenimiento y la inspección; y
 - 2) durante la eliminación de un atasco.
- Sin conectar la batería, compruebe si la varilla se mueve de manera constante presionando la punta de la varilla contra un material como la madera.

1. Eliminación de un atasco (Fig. 11)

- ① Retire la batería de la clavadora con martillo.
- ② Retire el clavo atascado con un par de alicates.
- ③ En caso de atasco frecuente, contacte con un centro de servicio autorizado HiKOKI.

2. Inspección de la varilla (Fig. 6)

Periódicamente limpie y lubrique la parte deslizante de la varilla y el casquillo.

Compruebe si la varilla se mueve suavemente presionando la clavadora con martillo contra un material como la madera.

Cuando el polvo de hierro o similares se adhieren al área magnetizada dentro de la varilla, la potencia para sostener magnéticamente un clavo puede verse reducida. Limpie de vez en cuando el área manchada con un trapo o cinta adhesiva.

Además, limpie de vez en cuando el polvo de hierro en el imán fuera de la varilla con un paño o cinta adhesiva. Hace que la operación de la varilla sea suave.

3. Inspección de los tornillos de montaje

Inspeccione con regularidad todos los tornillos de montaje y asegúrese de que estén bien apretados. Si hay algún tornillo suelto, apriételo inmediatamente. No hacerlo podría provocar riesgos graves.

4. Mantenimiento del motor

El bobinado de la unidad del motor es el auténtico corazón de la herramienta eléctrica. Tenga el máximo cuidado posible para asegurarse de que el bobinado no se dañe ni se moja con aceite o agua.

5. Limpieza del exterior

Cuando la herramienta esté sucia, límpiela con un trapo seco y suave o con un paño humedecido en agua jabonosa. No utilice disolventes clóricos, gasolina o disolventes para pinturas ya que estos deforman los materiales plásticos.

6. Conservación

Guarde la herramienta y la batería en un lugar en el que la temperatura sea inferior a 40°C y fuera del alcance de los niños.

NOTA

Almacenamiento de baterías de iones de litio.

Compruebe que las baterías de iones de litio se hayan cargado completamente antes de almacenarlas.

Un almacenamiento prolongado de las baterías (3 meses o más) con poca carga podría deteriorar su funcionamiento, reduciendo en gran medida el tiempo de uso de la batería o haciendo que las baterías no puedan mantener una carga.

No obstante, la reducción en gran medida del tiempo de uso de la batería puede recuperarse si se carga y utiliza de dos a cinco veces.

Si el tiempo de uso de la batería es extremadamente corto a pesar de haber cargado y utilizado la batería varias veces, deberá considerarla agotada y comprar una nueva.

PRECAUCIÓN

En el manejo y el mantenimiento de las herramientas eléctricas, se deberán observar las normas y reglamentos vigentes en cada país.

Aviso importante sobre las baterías de las herramientas eléctricas a batería de HiKOKI

Utilice siempre una de nuestras baterías genuinas. No podemos garantizar la seguridad y el funcionamiento de nuestra herramienta eléctrica a batería cuando se utiliza con baterías diferentes a las indicadas por nosotros, o cuando la batería se desmonta y modifica (como cuando se desmontan y sustituyen celdas u otras piezas internas).

GARANTÍA

Las herramientas eléctricas de HiKOKI incluyen una garantía conforme al reglamento específico legal/nacional. Esta garantía no cubre los defectos o daños debidos al uso incorrecto, el uso excesivo ni tampoco los provocados por el desgaste normal. En caso de reclamación, envíe la herramienta eléctrica, sin desmontar y con el CERTIFICADO DE GARANTÍA que aparece al final de estas instrucciones de uso, al Centro de servicio autorizado de HiKOKI.

Información sobre el ruido propagado por el aire y la vibración

Los valores medidos se determinaron de acuerdo con la norma EN62841 y se declaran de conformidad con la norma ISO 4871.

Nivel de potencia acústica ponderada A: 107 dB (A)

Nivel de presión acústica ponderada A: 96 dB (A)

Incertidumbre K: 3 dB (A)

Utilice protecciones auditivas.

Valores totales de la vibración (suma de vectores triax.) determinados de acuerdo con la norma EN62841.

Valor de emisión de vibración: 15,5 m/s²

Incertidumbre K = 1,5 m/s²

El valor total declarado de las vibraciones y el valor declarado de las emisiones de ruido han sido medidos de acuerdo con un método de prueba estándar y pueden utilizarse para comparar una herramienta con otra.

También podrían utilizarse en una evaluación preliminar de la exposición.

ADVERTENCIA

- La vibración y la emisión de ruido durante el uso real de la herramienta eléctrica pueden diferir del valor total declarado en función de las formas de uso de la herramienta, especialmente del tipo de pieza de trabajo procesada; y
- Identifique las medidas de seguridad para proteger al operador basadas en una estimación de exposición en condiciones reales de uso (teniendo en cuenta todas las partes del ciclo de funcionamiento, como tiempos durante los que la herramienta está apagada y durante los que funciona lentamente, además del tiempo de activación).

NOTA

Debido al programa continuo de investigación y desarrollo de HiKOKI, estas especificaciones están sujetas a cambio sin previo aviso.

AVISOS GERAIS DE SEGURANÇA PARA A FERRAMENTA ELÉTRICA



AVISO

Leia todos os avisos de segurança, instruções, ilustrações e especificações fornecidas com esta ferramenta elétrica.

Se não seguir todas as instruções listadas abaixo, pode provocar um choque elétrico, incêndio e/ou ferimentos graves.

Guarde todos os avisos e instruções para referência futura.

O termo “ferramenta elétrica” em todos os avisos refere-se à sua ferramenta ligada à corrente (com fios) ou à ferramenta elétrica de bateria (sem fios).

1) Segurança da área de trabalho

- Mantenha a área de trabalho limpa e bem iluminada. As áreas escuras ou cheias de material são propícias aos acidentes.
- Não trabalhe com ferramentas elétricas em ambientes explosivos, tais como na presença de líquidos inflamáveis, gases ou pó. As ferramentas elétricas criam faíscas que podem incendiar o pó dos fumos.
- Mantenha as crianças e outras pessoas afastadas quando trabalhar com uma ferramenta elétrica. As distrações podem fazer com que perca controle.

2) Segurança elétrica

- As fichas da ferramenta elétrica devem corresponder à tomada. Nunca modifique a ficha. Não utilize fichas adaptadoras com ferramentas elétricas ligadas à terra. As fichas não modificadas e tomadas correspondentes reduzirão o risco de choques elétricos.
- Evite contacto corporal com superfícies ligadas à terra, tais como tubos, radiadores, máquinas e frigoríficos. Existe um risco acrescido de choques elétricos se o seu corpo estiver ligado à terra.
- Não exponha ferramentas elétricas à chuva ou condições de humidade. A entrada de água numa ferramenta elétrica aumentará o risco de choques elétricos.
- Não abuse do fio. Nunca utilize o fio para transportar, puxar ou desligar a ferramenta elétrica. Mantenha o fio afastado do calor, óleo, margens afiadas ou peças em movimento. Os fios danificados ou entrelaçados podem aumentar o risco de choques elétricos.
- Quando trabalhar com uma ferramenta elétrica no exterior, utilize uma extensão adequada para utilização exterior. A utilização de um fio adequado para utilização no exterior reduz o risco de choques elétricos.
- Se não for possível evitar a utilização de uma máquina elétrica num local húmido, utilize uma fonte de alimentação protegida por um dispositivo de corrente residual (RCD). A utilização de um RCD reduz o risco de choques elétricos.

3) Segurança pessoal

- Mantenha-se alerta, esteja atento ao que está a fazer e utilize o bom senso ao trabalhar com uma ferramenta elétrica. Não utilize uma ferramenta elétrica quando estiver cansado ou sob a influência de drogas, álcool ou medicamentos. Um momento de desatenção enquanto trabalha com ferramentas elétricas pode resultar em ferimentos pessoais graves.

- Utilize equipamento de proteção pessoal. Utilize sempre proteção para os olhos. O equipamento de proteção, tal como uma máscara de pó, sapatos de segurança anti-derrapantes, capacete ou proteção auricular utilizados para condições adequadas reduzirá os ferimentos pessoais.
 - Evite arrouques acidentais. Certifique-se de que o interruptor está na posição de desligado antes de ligar a fonte de alimentação e/ou bateria, levantar ou transportar a ferramenta. Transportar ferramentas elétricas com o dedo no interruptor ou ativar ferramentas que estão com o interruptor ligado é propício a acidentes.
 - Remova qualquer chave de parafusos ou chave-inglesa de regulação antes de ligar a ferramenta. Uma chave-inglesa ou de parafusos ligada à parte rotativa da ferramenta pode provocar ferimentos pessoais.
 - Não se estique. Mantenha sempre o controlo e equilíbrio adequados. Isto permite obter um melhor controlo da ferramenta em situações inesperadas.
 - Vista-se adequadamente. Não use roupas largas ou joias. Mantenha o seu cabelo e roupa longe de peças móveis. As roupas largas, joias ou cabelo comprido podem ficar presos nas peças móveis.
 - Se forem fornecidos dispositivos para a ligação de extratores de pó e dispositivos de recolha, certifique-se de que estes estão ligados e são utilizados adequadamente. A utilização de uma recolha de pó pode reduzir os perigos relacionados com o pó.
 - Não deixe que a familiaridade resultante de uma utilização frequente das ferramentas permita que se torne complacente e ignore os princípios de segurança das ferramentas. Uma ação descuidada pode causar ferimentos graves numa fração de segundo.
- ### 4) Utilização da ferramenta e manutenção
- Não force a ferramenta elétrica. Utilize a ferramenta correta para a sua aplicação. A ferramenta correta fará o trabalho melhor e com mais segurança à velocidade para a qual foi concebida.
 - Não utilize a ferramenta elétrica se o interruptor não a ligar ou desligar. Qualquer ferramenta que não possa ser controlada com o interruptor é perigosa e deve ser reparada.
 - Desligue a ficha da fonte de alimentação e/ou remova a bateria da ferramenta elétrica, se removível, antes de efetuar quaisquer regulações, mudar os acessórios ou armazenar ferramentas elétricas. Tais medidas de segurança de prevenção reduzem o risco de ligar a ferramenta elétrica acidentalmente.
 - Armazene as ferramentas elétricas fora do alcance das crianças e não permita que pessoas não familiarizadas com a ferramenta elétrica ou com estas instruções utilizem a ferramenta. As ferramentas elétricas são perigosas nas mãos de utilizadores inexperientes.
 - Efetue a manutenção das ferramentas elétricas e acessórios. Verifique a existência de desalinhamentos ou dobragens das peças móveis, quebras de peças e quaisquer outras condições que possam afetar o funcionamento da ferramenta elétrica. Se danificada, mande reparar a ferramenta antes de utilizar. Muitos acidentes são causados por ferramentas com má manutenção.

- f) **Mantenha as ferramentas de corte afiadas e limpas.**

As ferramentas de corte com uma manutenção adequada e extremidades afiadas são menos propensas a dobrar e mais fáceis de controlar.

- g) **Utilize a ferramenta elétrica, acessórios e brocas de ferramentas, etc., de acordo com estas instruções, tendo em consideração as condições de trabalho e o trabalho a ser efetuado.**

A utilização de uma ferramenta elétrica para operações diferentes das previstas pode resultar numa situação perigosa.

- h) **Mantenha as pegas e as superfícies de manuseamento secas, limpas e livres de óleo e graxa.**

Pegas de manuseamento escorregadias não permitem a manipulação segura e controlo da ferramenta em situações inesperadas.

- 5) **Utilização e manutenção da ferramenta com bateria**

- a) **Recarregue apenas com o carregador especificado pelo fabricante.**

Um carregador que seja adequado para um tipo de bateria pode criar um risco de incêndio quando utilizado com outra bateria.

- b) **Utilize ferramentas elétricas apenas com as baterias especialmente concebidas.**

A utilização de quaisquer outras baterias pode criar um risco de ferimentos e incêndios.

- c) **Quando não estiver a ser utilizada uma bateria, mantenha-a afastada de outros objetos metálicos, tais como clipes de papel, moedas, chaves, pregos, parafusos ou outros objetos metálicos pequenos que possam fazer uma ligação de um terminal para o outro.**

Provocar um curto-circuito dos terminais da bateria pode causar queimaduras ou um incêndio.

- d) **Em condições abusivas, poderá ser ejetado líquido da bateria. Evite o contacto. Se ocorrer um contacto accidental, lave com água. Se o líquido entrar em contacto com os olhos, procure ajuda médica.**

O líquido ejetado da bateria poderá provocar irritações ou queimaduras.

- e) **Não utilize uma bateria ou ferramenta que esteja danificada ou modificada.**

Baterias danificadas ou modificadas podem exibir comportamentos imprevisíveis que podem resultar em incêndio, explosão ou risco de ferimentos.

- f) **Não exponha uma bateria ou ferramenta a fogo ou temperaturas excessivas.**

A exposição ao fogo ou a temperaturas acima dos 130°C pode causar uma explosão.

- g) **Siga todas as instruções de carregamento e não carregue a bateria ou a ferramenta fora do intervalo de temperatura especificado nas instruções.**

O carregamento incorreto ou a temperaturas fora da gama especificada pode danificar a bateria e aumentar o risco de incêndio.

- 6) **Manutenção**

- a) **Faça a manutenção da sua ferramenta elétrica por um pessoal de reparação qualificado e utilize apenas peças de substituição idênticas. Isto garantirá que a segurança da ferramenta elétrica é mantida.**

- b) **Nunca repare as baterias danificadas.**

A reparação de baterias deve ser executada pelo fabricante ou por prestadores de assistência autorizados.

AVISO

Mantenha afastadas das crianças e pessoas doentes. Quando não estiverem a ser utilizadas, as ferramentas devem ser guardadas fora do alcance das crianças e pessoas doentes.

ADVERTÊNCIAS DE SEGURANÇA PARA A PISTOLA DE PREGOS A BATERIA COM MARTELO SEM FIOS

1. **Assuma sempre que a ferramenta contém pregos.**

O manuseamento descuidado da Pistola de Pregos a Bateria com Martelo pode resultar em disparo inesperado de pregos e lesões pessoais.

2. **Não apontar a ferramenta para si nem para quem estiver próximo.**

Um disparo inesperado irá descarregar o prego, causando uma lesão.

3. **Não acionar a ferramenta a não ser que esteja colocada firmemente contra superfície de trabalho.**

Se a ferramenta não estiver em contacto com a peça de trabalho, o prego pode ser desviado para fora do seu alvo.

4. **Desconecte a ferramenta da fonte de alimentação quando o prego encravar na ferramenta.**

Ao remover um prego encravado, a Pistola de Pregos a Bateria com Martelo pode ser ativada acidentalmente se estiver ligada à tomada.

5. **Não usar esta Pistola de Pregos a Bateria com Martelo para fixar cabos elétricos.**

Este não foi projetado para instalação de cabos elétricos e pode danificar o isolamento de cabos elétricos, causando choque elétrico ou risco de incêndio.

6. **Use proteções auditivas**

A exposição ao ruído pode causar perda auditiva.

7. **Utilize a(s) pega(s) auxiliar(es), se fornecida(s) com a ferramenta.**

A perda de controlo pode causar ferimentos pessoais.

8. **Segure a ferramenta elétrica pelas superfícies de pega isoladas ao efetuar uma operação onde o fixador pode entrar em contacto com cablagem oculta.**

Fixadores em contacto com um fio "sob tensão" podem colocar as peças metálicas expostas da ferramenta elétrica sob tensão e provocar choques elétricos ao operador.

AVISOS DE SEGURANÇA ADICIONAIS

1. **Certifique-se de que segura bem a ferramenta durante a operação.**

Caso contrário, pode resultar em acidentes ou ferimentos. (Fig. 12)

2. **Operação segura através de uma utilização correcta.**

Esta ferramenta foi concebida para pregar em madeira ou em materiais semelhantes. Utilize-a apenas para o fim a que se destina.

3. **Tenha cuidado com incêndios e explosões.**

Uma vez que se podem produzir faíscas enquanto se utiliza a ferramenta, é perigoso utilizar esta ferramenta perto de verniz, tinta, benzina, diluente, gasolina, gásóleo, adesivos e substâncias inflamáveis semelhantes, uma vez que estas podem incendiar ou explodir. Em resumo, esta ferramenta não deve, sob quaisquer circunstâncias, ser utilizada nas proximidades dos referidos materiais inflamáveis.

4. Usar sempre protecção ocular (óculos de protecção).



Quando utilizar a ferramenta eléctrica, use sempre protecção ocular e certifique-se de que as pessoas na área circundante também estão a usar protecção ocular.

A possibilidade de entrada de fragmentos de pregos que não tenham sido devidamente pregados constitui uma ameaça à visão. O equipamento de protecção ocular pode ser adquirido em qualquer loja de equipamento de segurança. Use sempre protecção ocular quando utilizar esta ferramenta. Utilize óculos ou máscara de protecção sobre os óculos de correção da visão.

A entidade patronal deve estabelecer a obrigação de uso de equipamento de protecção.

5. Proteger os ouvidos e a cabeça.

Quando estiver a pregar use tampões nos ouvidos e capacete de protecção. Do mesmo modo, dependendo das condições, certifique-se de que as pessoas na área circundante também estejam a usar tampões nos ouvidos e capacete de protecção.

6. Prestar atenção às pessoas que estão a trabalhar na área circundante.

Seria extremamente perigoso se os pregos incorrectamente pregados atingissem as outras pessoas. Por isso, preste sempre atenção à segurança das pessoas que o rodeiam quando utilizar esta ferramenta. Certifique-se sempre de que a saída de pregos não se encontra perto do corpo, das mãos ou dos pés de alguém.

7. Nunca apontar a saída de pregos em direcção às pessoas.



Parta sempre do princípio que a ferramenta possa estar carregada com pregos.

Se a saída de pregos for apontada em direcção às pessoas, podem ser causados acidentes graves se ocorrer uma descarga involuntária da ferramenta. Ao conectar e desconectar a bateria durante o carregamento de pregos ou operações semelhantes, certifique-se de que a saída de pregos não está apontada para ninguém (incluído o operador). Mesmo quando não existirem pregos carregados, é perigoso descarregar a ferramenta quando esta se encontrar apontada em direcção a alguém, por isso, nunca tente fazê-lo. Não corra riscos. Respeite a ferramenta enquanto instrumento de trabalho que é.

8. Verifique a haste antes de usar.

Verifique se a haste funciona corretamente. Nunca use a Pistola de Pregos a Bateria com Martelo, a menos que a haste esteja a funcionar corretamente, caso contrário, a Pistola de Pregos a Bateria com Martelo pode conduzir um prego inesperadamente. Não altere nem remova a haste, caso contrário a haste fica inoperável.

9. Utilizar apenas os pregos especificados.

Nunca utilize pregos que não os especificados e descritos nestas instruções.

10. Ter cuidado ao ligar a bateria.

Ao ligar a bateria e carregar pregos para não disparar a ferramenta involuntariamente, tenha em conta os seguintes aspectos.

- Não toque no gatilho.
- Não permita que a cabeça de disparo entre em contacto com qualquer superfície.
- Mantenha a cabeça de disparo para baixo.

Respeite com rigor as instruções acima indicadas e certifique-se sempre de que a saída de pregos não está apontada para o corpo, para as mãos ou para as pernas.

11. Não colocar o dedo no gatilho distraidamente.

Não coloque o dedo no gatilho, excepto quando pretender pregar pregos. Se transportar esta ferramenta ou a entregar a alguém mantendo o dedo no gatilho, pode descarregar involuntariamente um prego e causar um acidente.

12. Premir firmemente a saída de pregos contra o material a pregar.

Ao pregar, prima a saída de pregos firmemente contra o material a pregar. Se a saída não for devidamente aplicada, os pregos podem ressaltar.

13. Manter as mãos e os pés afastados da cabeça de disparo durante a utilização.

É muito perigoso que um prego atinja as mãos ou os pés involuntariamente.



14. Ter cuidado com o recuo da ferramenta.

Não aproxime a parte de cima da ferramenta da cabeça, etc. durante a utilização. Este procedimento é perigoso pois a ferramenta pode recuar com violência se o prego que está a pregar entrar em contacto com um prego aplicado anteriormente ou um nó da madeira.

15. Tenha cuidado ao pregar tábuas finas ou cantos de madeira.

Ao pregar tábuas finas ou cantos de madeira, os pregos podem perfurar imediatamente devido ao respectivo desvio. Nesses casos, certifique-se sempre de que não se encontra ninguém (nem as mãos nem os pés, etc.) por trás da tábuas finas ou junto à madeira que está prestes a pregar.

16. Pregar simultaneamente em ambos os lados da mesma parede é perigoso.

Nunca se deve, sob qualquer circunstância, pregar simultaneamente em ambos os lados da mesma parede. Este procedimento é muito perigoso, pois os pregos podem passar através da parede e provocar ferimentos.

17. Não utilizar a ferramenta eléctrica em andaimes, escadotes.

A ferramenta eléctrica não deve ser utilizada para aplicações específicas, tais como:

- alteração de uma localização de trabalho para outra que envolva a utilização de andaimes, escadas, escadotes ou estruturas semelhantes, por exemplo, para pregar ripas de telhado,
- fechar caixas ou embalagens,
- montagem de sistemas de segurança para transporte, por exemplo, em veículos

18. Remova todos os pregos restantes e a bateria da Pistola de Pregos a Bateria com Martelo quando:

- 1) fizer a manutenção e inspeção;
- 2) verificar o funcionamento adequado da haste e do gatilho;
- 3) eliminar um encravamento;
- 4) não estiver a ser utilizada;
- 5) deixar a área de trabalho;
- 6) a deslocar para outro local; e
- 7) a entregar a outra pessoa.

Nunca tente reparar ou eliminar um encravamento na Pistola de Pregos a Bateria com Martelo a não ser que tenha removido a bateria e os restantes pregos da Pistola de Pregos a Bateria com Martelo.

A Pistola de Pregos a Bateria com Martelo nunca deve ser deixada sem vigilância, uma vez que pessoas que não estejam familiarizadas com a Pistola de Pregos a Bateria com Martelo podem manuseá-la e ferir-se.

19. Ao limpar a ferramenta eléctrica, não utilize gasolina ou outros líquidos inflamáveis.

Se o vapor de um líquido inflamável entrar na ferramenta eléctrica, existe o perigo de que as faíscas produzidas ao pregar etc. possam causar uma explosão.

PRECAUÇÕES PARA A BATERIA DE ÍONS DE LÍCIO

20. O ambiente operacional para este dispositivo corresponde ao intervalo entre 0°C e 40°C, por isso, a ferramenta só deve ser utilizada de acordo com este intervalo de temperatura. O dispositivo pode não funcionar em temperaturas inferiores a 0°C ou superiores a 40°C.

21. **NUNCA permita que ímanes (ou dispositivos magnéticos equivalentes) fiquem junto à Pistola de Pregos a Bateria com Martelo, dado que a Pistola de Pregos a Bateria com Martelo tem um íman no interior.**

Se o fizer, poderá provocar uma falha ou risco de lesões por avaria.

22. **Desligar a unidade após trabalho contínuo.**

23. **A ferramenta elétrica está equipada com um circuito de proteção da temperatura para proteger o motor. Trabalho contínuo pode fazer com que a temperatura da unidade suba, ativando o circuito de proteção de temperatura e parando automaticamente a operação. Se isto acontecer, permita que a ferramenta elétrica arrefeça antes de reiniciar a utilização.**

24. **Este produto pode não funcionar quando é detetada uma anomalia.**

25. **Não olhe diretamente para a luz.** Tal pode resultar em lesões nos olhos.

Limpe qualquer sujidade ou nódoa na lente da luz LED com um pano macio, tendo cuidado para não riscar a lente.

Riscos na lente da luz LED podem resultar na diminuição da luminosidade.

PRECAUÇÕES COM A BATERIA E O CARREGADOR

1. **Carregue sempre a bateria a uma temperatura ambiente de 0–40°C.**

Uma temperatura inferior a 0°C vai resultar num carregamento excessivo, algo perigoso. A bateria não pode ser carregada a uma temperatura superior a 40°C. A temperatura mais adequada para carregamento é 20–25°C.

2. **Não utilize o carregador continuamente.**

Quando o carregamento está concluído, pouse o carregador durante cerca de 15 minutos antes do próximo carregamento de uma bateria.

3. **Não permita a entrada de substâncias estranhas no orifício de ligação da bateria recarregável.**

4. **Nunca desmonte a bateria recarregável ou o carregador.**

5. **Nunca provoque um curto-circuito na bateria recarregável.**

Provocar um curto-circuito na bateria vai causar uma corrente elétrica e aquecimento excessivos. Resulta em queimaduras ou danos na bateria.

6. **Não elimine a bateria num fogo.**

Se a bateria for queimada, pode explodir.

7. **Utilizar uma bateria descarregada vai danificar o carregador.**

8. **Leve a bateria à loja onde a comprou assim que autonomia da bateria após o carregamento for demasiado curta para uma utilização prática.**

Não elimine a bateria gasta.

9. **Não introduza objetos nas ranhuras de ventilação de ar do carregador.**

Introduzir objetos metálicos ou inflamáveis nas ranhuras de ventilação de ar do carregador vai resultar em riscos de choques elétricos ou danos no carregador.

Para aumentar a vida útil, a bateria de íons de lítio está equipada com uma função de proteção para impedir a transmissão de corrente.

Nos casos 1 a 3 descritos abaixo, quando utilizar este produto, mesmo que esteja a premir o interruptor, o motor pode parar. Isto não constitui uma avaria, sendo o resultado da função de proteção.

1. Quando a carga restante da bateria se esgotar, o motor para.

Nesse caso, carregue-a imediatamente.

2. Se a ferramenta estiver sobrecarregada, o motor pode parar. Neste caso, solte o interruptor da ferramenta e elimine as causas da sobrecarga. De seguida, pode voltar a utilizá-la.

3. Se a bateria estiver sobreaquecida em condições de sobrecarga, a alimentação da bateria pode parar.

Neste caso, pare de utilizar a bateria e deixe-a arrefecer.

De seguida, pode voltar a utilizá-la.

Além disso, tenha em consideração os seguintes avisos e precauções.

AVISO

Para evitar antecipadamente qualquer fuga na bateria, produção de calor, emissão de fumo, explosão e ignição, certifique-se de que toma as seguintes precauções.

1. Certifique-se de que limalhas e pó não se acumulam na bateria.

○ Durante o trabalho, certifique-se de que limalhas e pó não caem na bateria.

○ Certifique-se de que quaisquer limalhas e pó que caíam na ferramenta durante os trabalhos não se acumulam na bateria.

○ Não guarde uma bateria não utilizada num local exposto a limalhas e ao pó.

○ Antes de guardar uma bateria, remova quaisquer limalhas e pó que possam existir na mesma e não a guarde com peças metálicas (parafusos, pregos, etc.).

2. Não perfure a bateria com objetos afiados como pregos, não lhe bata com um martelo, e não pise, arremesse, nem submeta a bateria a impactos físicos severos.

3. Não utilize uma bateria que pareça estar danificada ou deformada.

4. Não utilize a bateria com a polaridade invertida.

5. Não a ligue diretamente a quaisquer tomadas elétricas ou tomadas de isqueiro de automóvel.

6. Não utilize a bateria para fins que não os especificados.

7. Se a bateria não carregar completamente mesmo após ter passado o tempo de recarregamento especificado, pare imediatamente de a recarregar.

8. Não coloque nem submeta a bateria a temperaturas elevadas ou a alta pressão, como as de um forno microondas, secador, ou recipiente de alta pressão.

9. Afaste-a imediatamente do fogo quando forem detetados fugas ou maus odores.

10. Não utilizar em locais onde seja produzida uma forte eletricidade estática.

11. Se a bateria apresentar fugas, maus odores, produção de calor, descoloração ou deformações, ou parecer funcionar de forma anormal durante a utilização, recarregamento ou armazenamento, remova-a imediatamente do equipamento ou do carregador da bateria e pare de a utilizar.

12. Não mergulhe a bateria nem permita que quaisquer fluidos vertam para o interior. Entrada de líquido condutor, tal como água, pode causar danos que podem resultar em incêndio ou explosão. Guarde a bateria num local fresco e seco, longe de materiais inflamáveis e combustíveis. As atmosferas de gás corrosivo devem ser evitadas.

Português

PRECAUÇÃO

1. Se o líquido vertido pela bateria entrar nos seus olhos, não os esfregue e lave-os bem com água fresca e limpa como água da torneira e contacte imediatamente um médico.
Se não for tratado, o líquido pode provocar problemas nos olhos.
2. Se o líquido verter para a sua pele ou roupa, lave-as imediatamente com água limpa como água da torneira. Existe a possibilidade do líquido provocar irritação cutânea.
3. Se se deparar com ferrugem, maus odores, sobreaquecimento, descoloração, deformações e/ou outras irregularidades ao utilizar a bateria pela primeira vez, pare de utilizá-la e devolva-a ao seu fornecedor ou vendedor.

AVISO

Se uma substância estranha condutora entrar no terminal da bateria de íões de lítio, a bateria pode sofrer um curto-circuito causando um incêndio. Ao armazenar a bateria de íões de lítio, cumpra as regras dos conteúdos seguintes.

- Não coloque os resíduos condutores, pregos e fios como fio de ferro ou fio de cobre na caixa de armazenamento.
- Para evitar curtos-circuitos, coloque a bateria na ferramenta ou coloque a tampa da bateria para armazenamento de modo a que não seja possível ver o ventilador (Fig. 2).

NOMES DOS COMPONENTES (Fig. 1 – Fig. 12)

①	Cabeça de disparo (saída)
②	Haste
③	Luz LED
④	Gatilho
⑤	Gancho
⑥	Bateria
⑦	Fecho
⑧	Tampa da bateria
⑨	Terminais
⑩	Orifícios de ventilação
⑪	Carregador
⑫	Cabeça do prego
⑬	Eixo do prego
⑭	Ponta do prego
⑮	Íman
⑯	Área magnetizada
⑰	Prego
⑱	Unidade de condução
⑲	Junta de metal
⑳	Orifício
㉑	Parafuso
㉒	Ranhura
㉓	Alicate

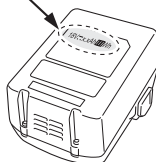
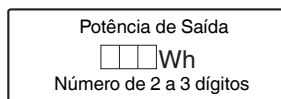
SOBRE O TRANSPORTE DA BATERIA DE ÍÕES DE LÍTIO

Ao transportar uma bateria de íões de lítio, tenha em conta as seguintes precauções.

AVISO

Informe a empresa de transporte que uma embalagem contém uma bateria de íões de lítio, informe a companhia da sua potência de saída e siga as instruções da empresa de transporte ao planificar o transporte.







- As baterias de íões de lítio que excedem uma potência de saída de 100 Wh são consideradas incluídas na classificação de carga Mercadorias Perigosas e requerem procedimentos especiais de registo.
- Para transporte para o estrangeiro, deve obedecer à legislação internacional e às regras e regulamentos do país de destino.










SÍMBOLOS

AVISO

De seguida, são apresentados os símbolos utilizados para a máquina. Assimile bem seus significados antes da utilização.

	NH18DSL: Pistola de Pregos a Bateria com Martelo Sem Fios
	Para reduzir o risco de lesão, o utilizador deve ler o manual de instruções.
	Os operadores e outros na área de trabalho devem usar óculos de segurança com proteções laterais.
	Nunca aponte a ferramenta para si ou outras pessoas na área de trabalho.
	Desconectar a bateria
	Não utilize em andaimes, escadas.

	Apenas para países da UE Não deixe ferramentas elétricas no lixo doméstico! De acordo com a diretiva europeia 2012/19/UE sobre ferramentas elétricas e eletrónicas usadas e a implementação de acordo com a lei nacional, as ferramentas elétricas no final da vida útil devem ser recolhidas em separado e encaminhadas a uma instalação de reciclagem ecológica.
	Corrente contínua
	Peso (De acordo com o procedimento EPTA 01/2014)
	Ligar (ON)
	Desligar (OFF)
	Aviso
	Ação proibida

ESPECIFICAÇÕES

1. Pistola de Pregos a Bateria com Martelo Sem Fios

Modelo	NH18DSL
Voltagem	18 V
Número de golpes	4000 min ⁻¹
Prego Aplicável	Ø1,7 – 4,1 mm (Consulte a Tabela 1)*1
Comprimento do Prego Aplicável	25 mm a 90 mm*1
Peso*2	1,3 – 1,9 kg
Dimensão Altura x Comprimento	135 mm x 285 mm (BSL1815)

*1: Madeira oposta: SPF, cedro

Pode não ser capaz de enfiar totalmente um prego em materiais duros como abeto de cicuta, MDF ou madeira laminada.

*2: Peso: De Acordo com o Procedimento EPTA 01/2014. Dependendo da bateria conectada. O peso mais pesado é medido com BSL36B18 (vendido separadamente).

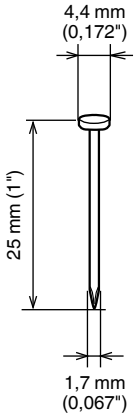

NOTA

Devido ao programa contínuo de pesquisa e desenvolvimento da HiKOKI, as especificações aqui contidas estão sujeitas a mudanças sem aviso prévio.

SELEÇÃO DE PREGOS

Use pregos dos seguintes tamanhos para esta Pistola de Pregos a Bateria com Martelo.

Tabela 1

Min.	Max.
 <p>4,4 mm (0,172")</p> <p>25 mm (1")</p> <p>1,7 mm (0,067")</p>	 <p>8,7 mm (0,344")</p> <p>90 mm (3-1/2")</p> <p>4,1 mm (0,162")</p>

AVISO

- Não use pregos de outros tamanhos. Estes podem danificar a haste ou ser disparados em direção inclinada.
- Tenha cuidado com os tamanhos das cabeças dos pregos. O tamanho das cabeças dos pregos pode variar entre grandes e pequenas, com pregos comercialmente disponíveis em lotes.
- Não use pregos endurecidos.

NOTA

- Pode não ser capaz de enfiar totalmente um prego em materiais duros como abeto de cicuta, MDF ou madeira laminada.

ACESSÓRIOS-PADRÃO

AVISO

- Os acessórios que não sejam os mostrados abaixo podem causar avaria e lesões resultantes.

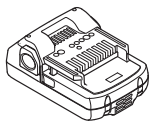
- ① Proteção para os olhos..... 1



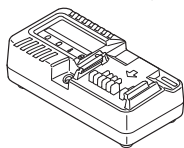
NOTA: Os acessórios estão sujeitos a alterações sem qualquer obrigação por parte da HiKOKI.

ACESSÓRIOS OPCIONAIS (VENDIDOS SEPARADAMENTE)

1. Bateria
○ BSL1815



2. Carregador
○ UC18YKSL (Tensão de carregamento: 14,4 V – 18 V)



Os acessórios opcionais estão sujeitos a mudanças sem aviso prévio.

APLICAÇÕES

- Materiais de madeira em locais de construção gerais, acessórios, decks de madeira, estruturas e renovações

RECARREGAMENTO

A bateria e o carregador de bateria não estão incluídos com este produto.

Para baterias recarregáveis, carregue de acordo com as instruções de manuseio do carregador que estiver a usar. (Fig. 5)

MONTAGEM E UTILIZAÇÃO

Ação	Figura	Página
Inserir e remover a bateria	3	2
Funcionamento do interruptor	4	2
Carregamento	5	3
Verificação das operações da haste*1	6	3
Disparar segurando um prego com o íman*2	7	3
Disparar segurando um prego com os dedos.*3	8	3
Fixar um prego à junta de metal*4	9	4
Usar o gancho*5	10	4
Eliminar um encravamento	11	4
Selecionar acessórios	—	199

*1 AVISO

- Verifique se a haste desliza suavemente quando operada. Limpe a área de deslizamento na haste se esta não deslizar suavemente.

*2 AVISO

- Ao carregar um prego na haste, segure o eixo do prego em vez da ponta.
- Ao carregar um prego na haste, certifique-se de que não pressiona a ponta da unidade de condução.
- Ao carregar um prego na haste, não coloque os dedos ou mãos abaixo da ponta de um prego.

*3 AVISO

- Quando disparar um prego segurando-o com os dedos, coloque a ponta do prego num alvo primeiro e, em seguida, insira a haste na cabeça do prego.

*4 AVISO

- Ao disparar um prego, certifique-se de que a ponta do prego está no orifício da junta metálica.

*5 PRECAUÇÃO

- Quando usar o gancho, desligue a ferramenta elétrica com firmeza para não deixar cair acidentalmente. Se deixar cair a ferramenta elétrica, pode causar um acidente.
- Certifique-se de que a bateria foi removida ao usar o gancho.
- Instale bem o gancho. Se o gancho não for bem instalado, pode causar ferimentos durante a utilização.

PRECAUÇÃO

Ao disparar um prego, opere por um curto período de tempo e evite o trabalho contínuo. Caso contrário, pode causar uma falha ou fuga de lubrificante.

MANUTENÇÃO E INSPEÇÃO

PRECAUÇÃO

Certifique-se de que remove a bateria da Pistola de Pregos a Bateria com Martelo antes da manutenção e inspeção.

AVISO

- Desconecte a bateria e remova o prego da Pistola de Pregos a Bateria com Martelo quando:
 - 1) fizer manutenção e inspeção; e
 - 2) eliminar um encravamento.
- Sem conectar a bateria, verifique se a haste se move de forma constante pressionando a ponta da haste contra um material como madeira.

1. Eliminar um encravamento (Fig. 11)

- ① Remova a bateria da Pistola de Pregos a Bateria com Martelo.
- ② Remova o prego encravado com um alicate.
- ③ Em caso de encravamento frequente, entre em contacto com um centro de assistência autorizada da HiKOKI.

2. Inspeção da haste (Fig. 6)

Limpe e lubrifique periodicamente a parte deslizante da haste e do soquete.

Verifique se a haste se move suavemente pressionando a Pistola de Pregos a Bateria com Martelo contra um material como madeira.

Quando os póis de ferro ou similares aderem à área magnetizada dentro da haste, o poder de segurar magneticamente um prego pode ser reduzido. Limpe de vez em quando a área com um pano limpo ou fita adesiva.

Além disso, limpe de vez em quando o pó de ferro que se encontra no íman fora da haste com um pano ou uma fita adesiva.

Isso torna suave o funcionamento da haste.

Português

3. Inspeccionar os parafusos de montagem

Inspeccione regularmente todos os parafusos de montagem e certifique-se de que estão bem apertados. Caso algum parafuso esteja solto, reaperte-o imediatamente. Caso contrário, pode resultar em ferimentos graves.

4. Manutenção do motor

O enrolamento do motor do aparelho é o “coração” da ferramenta elétrica. Tome o devido cuidado para garantir que o enrolamento não se danifica e/ou fica molhado com óleo ou água.

5. Limpar o exterior

Quando a ferramenta elétrica estiver manchada, limpe com um pano suave e seco ou um pano humedecido em água com sabão. Não utilize solventes clorídricos, gasolina ou diluentes, uma vez que derretem plásticos.

6. Armazenamento

Armazene a ferramenta elétrica e a bateria num local em que a temperatura seja inferior a 40°C e fora do alcance das crianças.

NOTA

Armazenar baterias de íões de lítio.

Certifique-se de que as baterias de íões de lítio foram totalmente carregadas antes de armazená-las.

O armazenamento prolongado (3 meses ou mais) das baterias com pouca carga pode resultar em deterioração do desempenho, redução significativa do tempo de utilização das baterias ou tornar as baterias incapazes de manter a carga.

Contudo, um tempo de utilização da bateria significativamente reduzido pode ser recuperado carregando e utilizando repetidamente as baterias duas a cinco vezes.

Se o tempo de utilização da bateria for extremamente curto apesar do carregamento e utilização repetidos, considere as baterias esgotadas e compre baterias novas.

PRECAUÇÃO

Na operação e na manutenção das ferramentas elétricas, devem-se observar as normas de segurança e os padrões prescritos por cada país.

Aviso importante sobre as baterias para as ferramentas sem fios da HiKOKI.

Utilize sempre uma das nossas baterias originais designadas. Não podemos garantir a segurança e o desempenho da nossa ferramenta elétrica sem fios quando é utilizada com baterias diferentes das baterias designadas por nós ou quando a bateria é desmontada e modificada (assim como desmontagem e substituição das células ou outras peças internas).

GARANTIA

Garantimos que a HiKOKI Power Tools obedece às normas legislativas de cada país. Esta garantia não cobre avarias ou danos derivados de má utilização, abuso ou desgaste normal. Em caso de queixa, envie a Ferramenta elétrica, não desmontada, juntamente com o CERTIFICADO DE GARANTIA que se encontra no fundo destas instruções de utilização, para um centro de assistência autorizado da HiKOKI.

Informação a respeito de ruídos e vibração do ar

Os valores medidos foram determinados de acordo com a EN62841 e declarados em conformidade com a ISO 4871.

Nível de potência sonora ponderado A medido: 107 dB (A)

Nível de pressão sonora ponderado A medido: 96 dB (A)

Incerteza K: 3 dB (A)

Use proteção auditiva.

Os valores totais da vibração (soma do vector triax) são determinados de acordo com a norma EN62841.

Valor de emissão de vibrações: 15,5 m/s²

Incerteza K = 1,5 m/s²

O valor total de vibração declarado e o valor de emissão de ruído declarado foram medidos de acordo com um método de teste padrão e podem ser utilizados para comparar ferramentas.

Também podem ser utilizados numa avaliação preliminar de exposição.

AVISO

○ A vibração e a emissão de ruído durante a utilização real da ferramenta elétrica podem diferir do valor total declarado, dependendo da forma como a ferramenta é utilizada, especialmente do tipo de peça a trabalhar; e

○ Identificar as medidas de segurança para proteger o operador, que são baseadas numa estimativa de exposição nas atuais condições de utilização (tendo em conta todas as partes do ciclo de funcionamento, tais como os tempos em que a ferramenta é desligada e quando está a funcionar ao ralenti, além do tempo de acionamento do gatilho).

NOTA

Devido ao programa contínuo de pesquisa e desenvolvimento da HiKOKI, as especificações aqui contidas estão sujeitas a mudanças sem aviso prévio.

ALLMÄNNA SÄKERHETSVARNINGAR FÖR ELEKTRISKA VERKTYG

⚠ VARNING

Läs alla säkerhetsvarningar, instruktioner, bilder och specifikationer som medföljer detta elektriska verktyg. Om inte alla instruktioner nedan följs kan detta leda till elektrisk stöt, brand och/eller allvarlig skada.

Spara alla varningar och instruktioner för framtida referens.

Uttrycket "elektriskt verktyg" i varningar hänvisar till ditt eldrivna (med sladd) eller batteridrivna (sladdlöst) elektriska verktyg.

1) Säkerhet på arbetsplats

- Håll arbetsplatsen ren och välbelyst.**
Röriga eller mörka arbetsplatser inbjuder till olyckor.
- Använd inte elektriska verktyg i explosiva omgivningar, som t ex i närvaro av antändliga vätskor, gaser eller damm.**
Elektriska verktyg bildar gnistor som kan antända dammet eller ångorna.
- Håll barn och kringstående på avstånd när du arbetar med ett elektriskt verktyg.**
Distractioner kan få dig att tappa kontrollen.

2) Elektrisk säkerhet

- Det elektriska verktygets stickpropp måste matcha uttaget. Modifiera aldrig stickproppen. Använd inte adapterstickproppar till jordade elektriska verktyg.**
Omodifierade stickproppar och matchande uttag minskar risken för elstötar.
- Undvik kroppskontakt med jordade ytor som t ex rör, värmeelement, spisar och kylskåp.**
Det finns ökad risk för elstötar om din kropp är jordad.
- Utsätt inte elektriska verktyg för regn eller väta.**
Om vatten kommer in i ett elektriskt verktyg ökar risken för elstötar.
- Misshandla inte sladden. Använd aldrig sladden för att bära, dra eller dra ur sladden till det elektriska verktyget.**
Håll sladden borta från värme, olja, skarpa kanter eller rörliga delar. Skadade eller tilltrasslade sladdar ökar risken för elstötar.
- Använd en förlängningssladd som är lämplig för utomhusbruk när du arbetar med det elektriska verktyget utomhus.**
Användning av en sladd som är lämplig för utomhusbruk minskar risken för elstötar.
- Om du inte kan undvika att använda ett elektriskt verktyg på en fuktig plats, använd ett uttag med jordfelsbrytare.**
Användning av en jordfelsbrytare minskar risken för elektrisk stöt.

3) Personlig säkerhet

- Var vaksam, se upp med vad du gör och använd sunt förnuft när du arbetar med ett elektriskt verktyg.**
Använd inte elektriska verktyg när du är trött, drog- eller alkoholpåverkad eller har tagit mediciner. Ett ögonblicks ouppmärksamhet under arbetet kan resultera i allvarliga personskador.
- Använd personskyddsutrustning. Ha alltid ögonskydd.**
Skyddsutrustning som till exempel en ansiktsmask, glidria säkerhetsskor, hjälm eller hörselskydd för tillämpliga förhållanden minskar personskadorna.

- Förebygg oavsiktlig start. Se till att omkopplaren står i läge av innan du ansluter det elektriska verktyget till strömkällan och/eller batteriet, tar upp eller bär verktyget.**

Att bära det elektriska verktyget med fingret på omkopplaren eller kraftansluta det elektriska verktyget då omkopplaren är på inbjuder till olyckor.

- Avlägsna eventuell justeringsnyckel eller skruvnyckel innan du startar det elektriska verktyget.**

En skruvnyckel eller nyckel som lämnats kvar på en roterande del av det elektriska verktyget kan resultera i personskador.

- Sträck dig inte för långt. Stå alltid stadigt på fötterna och håll balansen.**

På så sätt får du bättre kontroll över det elektriska verktyget i oväntade situationer.

- Klä dig korrekt. Ha inte på dig vida, lösa kläder eller smycken. Håll ditt hår och dina kläder borta från rörliga delar.**

Vida kläder, smycken eller långt hår kan fastna i de rörliga delarna.

- Omtillbehörföranslutning av dammuppsugnings- och dammsamlingsanordningar ingår, se då till att dessa anordningar ansluts och används på korrekt sätt.**

Användning av dammsamling kan minska dammrelaterade faror.

- Låt inte vanan av regelbunden användning av verktyg tillåta dig att bli för självsäker och ignorera verktygssäkerhetsprinciper.**

En oförsiktig åtgärd kan orsaka allvarlig skada inom en bråkdel av en sekund.

4) Användning och skötsel av elektriska verktyg

- Tvinga inte det elektriska verktyget. Använd korrekt verktyg för det du ska göra.**

Korrekt verktyg gör arbetet bättre och säkrare med den hastighet som det är avsett för.

- Använd inte det elektriska verktyget om omkopplaren inte kan vridas från eller Till.**

Elektriska verktyg som inte kan kontrolleras med omkopplaren är farliga och måste repareras.

- Dra ut sladden ur uttaget och/eller ta ur batteriet om det är avtagbart från det elektriska verktyget innan du gör justeringar, byter tillbehör eller förvarar det elektriska verktyget.**

Sådana förebyggande säkerhetsåtgärder minskar risken för att det elektriska verktyget startar oavsiktligt.

- Förvara elektriska verktyg som inte används utom räckhåll för barn och låt inte personer som är obekanta med verktyget eller dessa instruktioner använda verktyget.**

Elektriska verktyg är farliga i händerna på otränade användare.

- Underhåll elektriska verktyg och accessoarer. Kontrollera med avseende på felaktig inriktning eller om rörliga delar kräver, om delar har spruckit samt alla andra tillstånd som kan påverka verktygets drift. Om verktyget är skadat se till att det repareras innan du använder det.**

Många olyckor förorsakas av dåligt underhållna verktyg.

- Håll skärverktygen skarpa och rena.**

Korrekt underhållna skärverktyg med skarpa skåreggar kräver inte och är lättare att kontrollera.

- Använd det elektriska verktyget, tillbehör och hårdmetallskär etc. i enlighet med dessa instruktioner, samtidigt som du tar arbetsförhållanden och det arbete som ska utföras med i beräkningen.**

Att använda det elektriska verktyget för andra ändamål än det är avsett för kan resultera i farliga situationer.

Svenska

- h) **Håll handtag och gripytor torra, rena och fria från olja och fett.**
Håll handtag och greppytor tillåter inte säker hantering och kontroll av verktyget i oväntade situationer.
- 5) **Användning och vård av batteriverktyg**
- a) **Ladda endast med laddare som angetts av tillverkaren.**
En laddare som passar för en typ av batteri kan orsaka brandfara om den används med ett annat batteri.
- b) **Använd verktyg endast med specifikt avsedda batterier.**
Användning av annat batteri kan orsaka risk för skada eller brand.
- c) **När batteriet inte används förvara det fränskilt från andra metallföremål så som gem, mynt, nycklar, spikar, skruvar eller andra metallföremål som kan orsaka anslutning från en pol till en annan.**
Kortslutning av batteripolerna kan orsaka brännskada eller brand.
- d) **Vid oriktigt handhavande kan vätska komma ut från batteriet; undvik kontakt. Om kontakt av misstag sker, spola med vatten. Om vätska kommer i ögonen sök medicinsk hjälp.**
Vätska som läcker från batteriet kan orsaka irritation eller brännskador.
- e) **Använd inte ett batteri eller verktyg som har skadats eller modifierats.**
Skadade eller modifierade batterier kan uppvisa oförutsägbart beteende som leder till brand, explosion eller risk för skada.
- f) **Utsätt inte batteriet eller verktyget för brand eller överdriven temperatur.**
Exponering för brand eller temperatur över 130°C kan orsaka explosion.
- g) **Följ alla laddningsinstruktioner och ladda inte batteriet eller verktyget utanför det temperaturintervall som anges i instruktionerna.**
Felaktig laddning eller laddning vid temperaturer utanför det angivna intervallet kan skada batteriet och öka risken för brand.
- 6) **Service**
- a) **Låt en kvalificerad reparatör utföra service på ditt elektriska verktyg och använd bara identiska reservdelar.**
Detta garanterar att det elektriska verktyget alltid är säkert och fungerar som det ska.
- b) **Serva aldrig skadade batterier.**
Service av batterier får endast utföras av tillverkaren eller auktoriserade serviceleverantörer.

FÖREBYGGANDE ÅTGÄRD

Håll barn och bräckliga personer på avstånd.

När verktygen inte används ska de förvaras utom räckhåll för barn och bräckliga personer.

4. **Koppla bort verktyget från strömkällan när dyckerten har fastnat i verktyget.**
När du tar bort en fastnad dyckert kan det Slaghammare aktiveras av misstag om det är inkopplat.
5. **Använd inte det Slaghammare för att fästa elektriska kablar.**
Det är inte utformat för montering av elektriska kablar och kan skada isoleringen på elektriska kablar och därigenom orsaka elektriska stötar eller brand.
6. **Bär hörselskydd**
Utsättning för ljud kan orsaka hörselskador.
7. **Använd extrahandtag(en) om det/de levereras med verktyget.**
Om du förlorar kontrollen över verktyget kan det orsaka personskada.
8. **Håll i elverktyget med de isolerade greppytorna när du utför ett arbete där fästdonet kan komma i kontakt med dolda ledningar.**
Fästdon som kommer i kontakt med en "strömförande" ledning kan göra så att oskyddade metalldelar på elverktyget blir "strömförande", vilket kan ge användaren en elektrisk stöt.

YTTERLIGARE SÄKERHETSVARNINGAR

1. **Se till att hålla verktyget ordentligt under användning.**
Om du inte gör det kan det resultera i olyckor eller skador. (Bild 12)
2. **Använd spikpistolen korrekt och säkert.**
Spikpistolen är konstruerad för indrivning av spikar i trä och liknande material. Använd den endast till det den är avsedd för.
3. **Var försiktig på användningar och explosioner.**
Eftersom spikning kan orsaka gnistor finns det risk för eldsvåda eller explosion, om spikpistolen används i närheten av lackfärg, målarfärg, bensin, thinner, gas, lim eller andra lättantändliga ämnen. Spikpistolen bör därför inte under några omständigheter användas i närheten av något lättantändligt ämne.
4. **Bär alltid ögonskydd (skyddsglasögon).**



Bär alltid ögonskydd vid användning av spikpistolen. Se också till att personer i närheten bär ögonskydd.

Det finns risk för att bitar av spikar som träffat fel när ögonen, vilket kan orsaka synskador. Lämpliga ögonskydd finns att köpa i de flesta järnaffärer. Bär alltid ögonskydd vid användning av verktyget. Bär antingen skyddsglasögon eller ett skyddsvisir utanpå vanliga glasögon.

- Arbetsgivare bör alltid påtvinga användning av ögonskyddsutrustning.
5. **Skydda öron och huvud.**
Bär öronskydd och huvudskydd vid användning av spikpistolen. Se också till att personer i närheten bär öronskydd och huvudskydd, när det anses lämpligt.
6. **Observera personer som arbetar i närheten.**
En spik som inte drivs in korrekt kan orsaka en allvarig olycka, om den skulle råka träffa en annan person. Var därför alltid noggrann med att garantera säkerheten för personer i närheten, när spikpistolen används. Kontrollera alltid att inte en hand, en fot eller någon annan kroppsdel finns i närheten av spikmynningen.

SÄKERHETSVARNINGAR FÖR SLAGHAMMARE CORDLESS

1. **Antag alltid att verktyget innehåller dyckert.**
Oförsiktig hantering av det Slaghammare kan orsaka oväntad avfyrning av dyckert, samt personskador.
2. **Peka inte verktyget mot dig själv eller någon annan i närheten.**
Oväntad avfyrning skjuter ut dyckerten som då kan orsaka skada.
3. **Aktivera inte verktyget om det inte är ordentligt placerat mot arbetsstycket.**
Om verktyget inte är i kontakt med arbetsstycket kan dyckerten avvika från målet.

7. Rikta aldrig spikmynningen mot en människa.

Antag alltid att spikpistolens är laddad. Om spikmynningen riktas mot en människa och spikpistolens avfyras av misstag kan det orsaka en allvarlig olycka. Se till att inte rikta spikmynningen mot någon människa (inklusive dig själv) vid anslutning och bortkoppling av batteriet, laddning av spikar eller annan hantering av spikpistolens. Även om ingen spik finns i spikpistolens är det farligt att avfyras den mot en människa. Lek därför aldrig med spikpistolens utan använd den endast som ett arbetsverktyg.

8. Kontrollera stängen före användning.

Se till att stängen fungerar korrekt. Använd aldrig det Slaghammare om inte stängen fungerar korrekt. I annat fall kan det Slaghammare oavsiktligt driva in en dyckert. Manipulera inte eller ta bort stängen, eftersom den då blir oanvändbar.

9. Använd endast specificerade spikar.

Använd aldrig andra typer av spikar än de som specificeras och beskrivs i denna bruksanvisning.

10. Var försiktig vid anslutning av slangen.

Se noga till att följa nedanstående uppmaningar vid anslutning av slangen eller laddning av spik.

- Vidrör inte avtryckaren.
 - Låt inte avfyrningshuvudet komma i kontakt med någon yta.
 - Håll avfyrningshuvudet vänt neråt.
- Observera noga ovanstående anvisningar och se alltid till att inte händer, ben eller någon annan kroppsdel någonsin befinner sig framför spikmynningen.

11. Sätt inte oaksamt fingret på avtryckaren.

Sätt inte fingret på avtryckaren annat än när spikning verkligen ska ske. Om spikpistolens bärs eller överröks till någon annan med fingret på avtryckaren finns det risk för att en spik avfyras av misstag och orsakar en olycka.

12. Tryck spikmynningen ordentligt mot materialet som ska spikas.

Tryck spikmynningen ordentligt mot materialet ifråga, när en spik ska drivas in. Om mynningen inte har ordentlig kontakt med materialet kan det hända att spiken studsar tillbaka.

13. Håll händer och fötter borta från avfyrningshuvudet vid användning.

Det är mycket farligt om en spik av misstag träffar en hand eller en fot.

**14. Var beredd på spikpistolens rekyl.**

Se till att inte komma för nära spikpistolens övre del med huvudet etc. under pågående arbete. Det kan vara farligt, eftersom spikpistolens kan rekylas kraftigt i händelse av att en spik som drivs in stöter på en annan spik eller en hård kvist.

15. Var försiktig vid spikning i tunna skivor eller träkanter.

Vid spikning i tunna skivor finns det risk för att spikarna går rakt igenom, vilket även kan hända vid spikning i kanter på trämaterial då spikarna lätt viker av. Kontrollera i detta fall alltid att ingen person (eller hand, fot etc.) finns på andra sidan den tunna skivan eller intill trämateriallet ifråga.

16. Spika aldrig samtidigt från båda sidor i samma vägg.

Samtidig spikning från båda sidor i samma vägg bör inte ske under några som helst omständigheter. Det vore mycket farligt, eftersom det då kan hända att en spik går rakt igenom väggen och skadar personen på andra sidan.

17. Använd inte spikpistolens på byggnadsställningar eller stegar.

Spikpistolens är inte lämpad för sådana specifika användningar som exempelvis:

- byte av spikposition genom användning av en byggnadsställning, en trappa, en stege eller en takläkt eller annan steglignande konstruktion,
- stängning av lådor eller häckar,
- montering av transportsäkerhetssystem i t.ex. fordon eller vagnar.

18. Ta ur batteriet och all återstående dyckert från det Slaghammare när du:

- 1) du utför underhåll och inspektion;
- 2) kontrollerar korrekt funktion hos stång och avtryckare;
- 3) du åtgärdar fastnat objekt;
- 4) den inte är i bruk;
- 5) arbetsområdet lämnas;
- 6) den flyttas till en annan plats;
- 7) den lämnas till en annan person.

Försök aldrig att rensa en blockering eller reparera det Slaghammare om du inte har tagit ur batteriet och all återstående dyckert.

Det Slaghammare får aldrig lämnas utan uppsikt eftersom personer som inte känner till verktyget kan skada sig vid hantering.

19. Använd inte bensin eller andra lättantändliga vätskor vid rengöring av verktyget.

Om ånga från en brandfarlig vätska kommer in i elverktyget finns det risk för att gnistor som alstras vid häftning etc. orsakar explosion.

20. Detta verktyg skall användas vid temperaturer mellan 0°C och 40°C, se till att verktyget används inom detta temperaturintervall. Verktyget kan upphöra att fungera under 0°C och över 40°C.**21. Låt ALDRIG magneter (eller liknande magnetiska enheter) ligga intill det Slaghammare eftersom det innehåller en magnet.**

Att göra det kommer att orsaka ett fel eller risk för personskada på grund av fel.

22. Paus vid långvarig användning.**23. Det elektriska verktyget är utrustat med en temperaturskyddskrets för att skydda motorn. Kontinuerligt arbete kan få enhetens temperatur att stiga, vilket aktiverar temperaturskyddskretsen och driften stoppas automatiskt. Om detta inträffar, låt det elektriska verktyget svalna innan du fortsätter användningen.****24. Den här produkten kan upphöra att fungera när en avvikelse upptäcks.****25. Titta inte direkt in i lampan. Detta kan leda till ögonskada.**

Torka av smuts och sot som fastnat på LED-ljusets lins med en mjuk trasa och var försiktig så att linsen inte repas.

Repor på LED-ljusets lins kan leda till minskad ljusstyrka.

FÖRSIKTIGHETSÅTGÄRDER FÖR BATTERI OCH LADDARE

1. Ladda alltid batteriet i en omgivande temperatur mellan 0-40°C.

Om batteriet laddas i en temperatur som underskrider 0°C, kan det resultera i överladdning som är farligt. Batteriet bör inte laddas i temperaturer över +40°C. Den lämpligaste uppladdningstemperaturen ligger mellan 0-25°C.

2. Använd inte laddaren utan uppehåll.

Låt aggregatet vila i ca. 15 minuter mellan varje laddning.

3. Se till att inga främmande föremål hamnar i verktyget genom batteriöppningen eller uttagen.

Svenska

4. **Ta aldrig isär vare sig det uppladdningsbara batteriet eller laddningsaggregatet.**
5. **Se till att det uppladdningsbara batteriet inte kortsluts.**
Kortslutning av batteriet kan orsaka en stor elektrisk ström och överhettning. Det leder till brännskada eller skada på batteriet.
6. **Kasta inte batteriet i öppen eld.**
Om batteriet blir bränt kan det explodera.
7. **Laddningsaggregatet skadas när du använder ett urladdat batteri.**
8. **Så snart batteriets efterladdningstid blir för kort för verktygets praktiska användning, skall du föra eller skicka batteriet till återförsäljaren.**
Kasta inte bort det urladdade batteriet med sopor.
9. **Se till att inga föremål eller främmande ämnen hamnar i laddningsaggregatets ventilationshål.**
Isättning av metallföremål eller lättantändliga objekt i ventilationshålen kommer att resultera i elektriska överslag och skador på laddningsaggregatet.
11. Om batteriet läcker, luktar illa, blir varmt, missfärgat eller missformerat eller på något sätt upplevs som onormalt vid användning, laddning eller förvaring, ta omedelbart bort det från verktyget eller batteriladdaren och sluta använda det.
12. Lagg inte batteriet i vätskor och se till att vätskor inte tränger in i det. Om en konduktiv vätska, exempelvis vatten, skulle komma in i batteriet kan det skadas och antändas eller explodera. Förvara batteriet på en sval, torr plats, borta från brännbara och lättantändliga föremål. Batteriet får inte utsättas för miljöer med frätande gas.

FÖRSIKTIGT

1. Om vätska som läcker från batteriet kommer i ögonen gnid inte ögonen och skölj dem väl med friskt rent vatten från en kran och kontakta omedelbart medicinsk hjälp. Om inget görs kan vätskan orsaka ögonproblem.
2. Om vätskan kommer i kontakt med din hud eller dina kläder, tvätta omedelbart väl med rent vatten så som från en kran.
Det finns en chans att det kan orsaka hudirritation.
3. Om du upptäcker rost, dålig lukt, överhettning, missfärgning, deformation och/eller andra ovanligheter när du använder batteriet för första gången använd det inte utan lämna tillbaka det till din återförsäljare eller handlare.

VARNING

Om ett främmande elektriskt ledande material kommer i kontakt med batteriets anslutningar, kan batteriet kortslutas och förorsaka brand. Vid förvaring av litiumjonbatterier, se till att följa nedanstående anvisningar.

- Placera inte ledande föremål som spikar och ledningar i stål eller koppar i förvaringsfacket.
- För att undvika kortslutning, montera batteriet i verktyget eller sätt på batteriskyddet vid förvaring för att dölja ventilatorn (Bild 2).

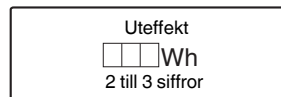
ANGÅENDE TRANSPORT AV LITIJUMJONBATTERIER

lakta följande försiktighetsåtgärder när litiumjonbatterier transporteras.

VARNING

Meddela transportföretaget att ett paket innehåller ett litiumjonbatteri, informera företaget om dess uteffekt och följ transportföretagets instruktioner när transporten arrangeras.

- Litiumjonbatterier som överskrider en uteffekt på 100 Wh klassificeras som farligt gods och kommer att kräva en särskild behandlingsprocedur.
- För transport utomlands måste du uppfylla internationell lagstiftning samt destinationslandets regler och förordningar.



VARNING FÖR LITIJUMJONBATTERI

För att förlänga livstiden är litiumjonbatteriet utrustat med en skyddsfunktion som stoppar utmatning.

I händelse av 1 till 3 som beskrivs nedan, vid användning av denna produkt, även om du trycker på knappen kan det hända att motorn stannar. Detta är inget fel utan ett resultat av skyddsfunktionen.

1. När kvarvarande batterikraft tar slut stannar motorn.
I detta fall ladda omedelbart upp det.
2. Om verktyget är överbelastat kan motorn stanna. Om så händer släpp knappen på verktyget och ta åtgärda orsaken till överbelastningen. Du kan använda det igen när det svalnat.
3. Om batteriet överhettas under för hög belastning kan batteriet ta slut.
Om detta händer, sluta använda batteriet och låt det svalna. Du kan använda det igen när det svalnat.

Vidare, var god beakta följande varningar och föreskrifter.

VARNING

För att förebygga läckage från batteri, värmeutveckling, rök, explosion och eldsvåda, var god beakta följande försiktighetsåtgärder.

1. Se till att damm och smuts inte samlas på batteriet.
 - Vid arbete se till att damm och smuts inte faller på batteriet.
 - Se till att eventuellt damm och smuts som faller på det elektriska verktyget vid arbete inte samlas på batteriet.
 - Förvara inte batteri som inte används på en plats där de utsätts för damm och smuts.
 - Innan förvaring av ett batteri avlägsna eventuellt damm och smuts som har fastnat på det och förvara det inte tillsammans med metallföremål (skruvar, spikar etc.).
2. Gör inte hål i batteri med skarpa föremål så som spik, slå med hammare, stampa på eller kasta föremål på eller utsätt batteriet för fysisk påfrestning.
3. Använd inte uppenbarligen skadat batteri eller batteri som är deformerat.
4. Använd inte batteriet med polerna omvända.
5. Anslut inte direkt till ett elektriskt uttag eller uttaget för cigarettändare i en bil.
6. Använd inte batteri för andra syften än de som anges.
7. Om batteriladdningen inte lyckas avslutas trots att den angivna laddningstiden passerat, stoppa omedelbart vidare laddning.
8. Utsätt inte batteriet för höga temperaturer eller högt tryck så som i en mikrovågsugn, hårtork eller högtrycksbehållare.
9. Håll borta från eld så snart läckage eller illaluktande lukt upptäcks.
10. Använd inte på plats där stark statisk elektricitet skapas.














DELARNAS NAMN (Bild 1 – Bild 12)

①	Avtryckningshuvud (utlopp)
②	Stång
③	LED-ljus
④	Avtryckare
⑤	Bälteskrok
⑥	Batteri
⑦	Spärr
⑧	Batterilock
⑨	Terminaler
⑩	Ventilationshål
⑪	Laddare
⑫	Dyckerthuvud
⑬	Dyckertaxel
⑭	Dyckertspets
⑮	Magnet
⑯	Magnetiserat område
⑰	Dyckert
⑱	Drivenhet
⑲	Metalled
⑳	Hål
㉑	Skruv
㉒	Räffla
㉓	Tång

SYMBOLER

VARNING

Nedan visas de symboler som används för maskinen. Se till att du förstår vad de betyder innan verktyget används.

	NH18DSL: Slaghammare cordless
	Användaren måste läsa bruksanvisningen för att minska risken för personskador.
	Operatörer och andra i arbetsområdet måste bära skyddsglasögon med sidoglas.
	Rikta aldrig verktyget mot dig själv eller andra i arbetsområdet.
	Koppla bort batteriet
	Använd inte på byggställningar, stegar.
	Gäller endast EU-länder Elektriska verktyg får inte kastas i hushållssoporna! Enligt direktivet 2012/19/EU som avser äldre elektrisk och elektronisk utrustning och dess tillämpning enligt nationell lagstiftning ska uttjänta elektriska verktyg sorteras separat och lämnas till miljövänlig återvinning.
	Likström
	Vikt (Enligt EPTA-procedur 01/2014)
	Slå PÅ
	Slå AV
	Varning
	Förbjuden åtgärd

SPECIFIKATIONER

1. Slaghammare cordless

Modell	NH18DSL
Spänning	18 V
Antal slag	4000 min ⁻¹
Tillämplig spik	ø1,7 – 4,1 mm (Se Tabell 1)* ¹
Tillämplig spiklängd	25 mm till 90 mm* ¹
Vikt* ²	1,3 – 1,9 kg
Mått Höjd x Längd	135 mm x 285 mm (BSL1815)

*1: Motsatt trä: SPF, ceder

Kan eventuellt inte helt driva in en spik i hårda material som hemlockgran, MDF eller laminerat timmer.

*2: Vikt: Enligt EPTA-procedur 01/2014. Beroende på anslutet batteri. Den tyngsta vikten mäts med BSL36B18 (säljs separat).

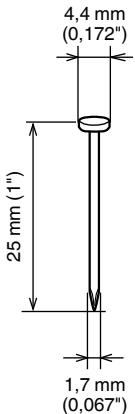
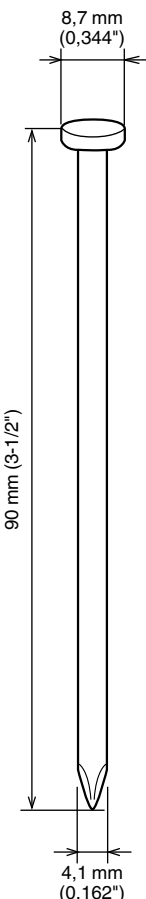
ANMÄRKNING

Beroende på HiKOKIs kontinuerliga forsknings- och utvecklingsarbete, förbehåller HiKOKI rätten till ändringar av tekniska data utan föregående meddelande.

SPIKVAL

I det här Slaghammare ska du använda dyckert i följande storlekar.

Tabell 1

Min.	Max.
 <p>4,4 mm (0,172")</p> <p>25 mm (1")</p> <p>1,7 mm (0,067")</p>	 <p>8,7 mm (0,344")</p> <p>90 mm (3-1/2")</p> <p>4,1 mm (0,162")</p>

VARNING

- Använd inte dyckert i andra storlekar. De kan skada stängen eller avfyras i en sned riktning.
- Var noga med dyckerthuvudets storlek. Dyckerthuvudets storlek kan variera mellan stor och liten med kommersiellt tillgänglig partidyckert.
- Använd inte härdad dyckert.

ANMÄRKNING

- Kan eventuellt inte helt driva in en spik i hårda material som hemlockgran, MDF eller laminerat timmer.

STANDARDTILLBEHÖR

VARNING

- Andra tillbehör än dem som visas nedan kan leda till funktionsfel och följdsador.

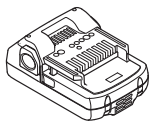
- ① Ögonskydd..... 1



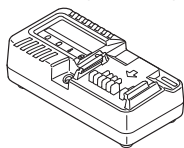
ANMÄRKNING: Tillbehör kan komma att ändras utan någon skyldighet från HiKOKI.

EXTRATILLBEHÖR (SÄLJS SEPARAT)

1. Batteri
○ BSL1815



2. Laddare
○ UC18YKSL (Laddningsspänning: 14,4 V – 18 V)



Extratillbehören kan ändras utan föregående meddelande.

ANVÄNDNINGSMRÅDEN

- Trämateriäl i allmänna konstruktioner, beslag, trädäck, ramverk och renoveringar

BATTERILADDNING

Batteri och batteriladdare medföljer inte denna produkt. Uppladdningsbara batterier ska laddas enligt bruksanvisningen för laddaren som du använder. (Bild 5)

MONTERING OCH ANVÄNDNING

Åtgärd	Bild	Sida
Sätta i och ta ur batteriet	3	2
Startomkopplarens manövrering	4	2
Laddning	5	3
Kontrollera stångfunktionen*1	6	3
Avfyrning genom att hålla en dyckert med magneten*2	7	3
Avfyrning genom att hålla en dyckert med fingrarna.*3	8	3
Fixering av en dyckert till metalleden*4	9	4
Använda bälteskroken*5	10	4
Rensa en blockering	11	4
Val av tillbehör	—	199

*1 VARNING

- Kontrollera att stängen glider smidigt när den används. Rengör glidområdet på stängen om den inte glider glatt.

*2 VARNING

- När du laddar en dyckert i stängen, håll i dyckertskaftet i stället för spetsen.
- När du laddar en dyckert i stängen, se till att den inte trycker mot drivenhetens spets.
- Placera inte fingrarna eller händerna under dyckertens spets när du laddar en dyckert i stängen.

*3 VARNING

- När du avfyrar en dyckert genom att hålla den med fingrarna, placera dyckertspetsen vid ett mål först och för sedan in stängen i dyckerthuvudet.

*4 VARNING

- När du avfyrar en dyckert, se till att dyckertspetsen är placerad i metalledens hål.

*5 FÖRSIKTIGT

- När du använder bälteskroken, häng upp elverktyget ordentligt så att det inte faller ner av misstag. Om elverktyget faller ned kan det leda till en olycka.
- Se till att batteriet är borttaget när du använder bälteskroken.
- Montera bälteskroken ordentligt. Om bälteskroken inte sitter ordentligt kan det leda till en olycka vid användning.

FÖRSIKTIGT

När du skjuter en spik manövrera endast en kort stund och undvik kontinuerligt arbete. Annars kan detta leda till fel eller fettläckage.

UNDERHÅLL OCH INSPEKTION

FÖRSIKTIGT

Var noga med att ta bort batteriet från det sladdlösa Slaghammare före underhåll och inspektion.

VARNING

- Koppla ur batteriet och ta bort dyckerten från det Slaghammare när du:
 - 1) utför underhåll och inspektion; och
 - 2) rensar en blockering.
- Kontrollera utan att ansluta batteriet att stängen rör sig stadigt genom att trycka stångspetsen mot ett material som t.ex. trä.

1. Rensa en blockering (Bild 11)

- ① Ta bort batteriet från det sladdlösa Slaghammare.
- ② Ta bort den fastnade dyckerten med en tång.
- ③ Kontakta ett HiKOKI auktoriserat servicecenter om blockering sker ofta.

2. Inspektion av stång (Bild 6)

Rengör och smörj regelbundet stångens gliddel och uttag.

Kontrollera att stängen rör sig smidigt genom att trycka det Slaghammare mot ett material som t.ex. trä.

När järnpulver eller liknande fastnar i det magnetiserade området inne i stängen kan kraften att magnetiskt hålla en dyckert minska. Torka av området med en trasa eller tejp ibland.

Torka också ibland bort järnpulvret på magneten utanför stängen med en trasa eller tejp.

Det gör att stängen fungerar smidigt.

3. Kontroll av monteringskruvar

Kontrollera alla monteringskruvar med jämna mellanrum och kontrollera att de är ordentligt fastdragna. Om någon av skruvarna är lösa, dra omedelbart åt dem. Om du inte gör det kan det leda till allvarig fara.

4. Motorns underhåll

Motorns lindning kan sägas utgå om maskinens hjärta. Var mycket försiktig så att lindningen inte kommer till skada och/eller utsätts för olja eller vatten.

Svenska

5. Rengöring av utsidan

När elverktyget blir smutsigt, torka av det med en torr mjuk trasa eller en trasa fuktad i tvålatten. Använd aldrig klorlösningar, bensen eller thinner då de smälter plast.

6. Förvaring

Förvara elverktyget och batteriet på ett ställe där temperaturen inte överstiger 40°C och där inte barn kommer åt den.

ANMÄRKNING

Förvaring av litiumjonbatterier.

Se till att litiumjonbatterier är fulladdade innan de förvaras.

En längre tids förvaring (3 månader eller mer) av batterier med en låg laddningsnivå kan leda till försämrad prestanda, väsentligt minskad användningstid för batterierna eller att batterierna inte kan hålla laddningen. Men väsentligt minskad användningstid för batterier kan återställas genom upprepad laddning och användning av batterierna två till fem gånger.

Om batteriernas användningstid förblir extremt kort även efter upprepad laddning och användning, anse att batterierna är slut och köp nya batterier.

FÖRSIKTIGT

Vid användning och underhåll av elverktyg måste de säkerhetsbestämmelser och standarder som gäller i respektive land iakttas.

Viktigt meddelande för batterier till HiKOKI batteridrivna elektriska verktyg

Använd alltid anvisade originalbatterier. Vi kan inte garantera säkerheten och prestanda för våra batteridrivna elektriska verktyg som används med andra batterier än de vi anvisat eller när batterier har tagits isär och modifierats (så som isärtagning och utbyte av celler eller andra inre delar).

GARANTI

Vi garanterar HiKOKI Elektriska verktyg i enlighet med lagstadgade/landsspecifika bestämmelser. Denna garanti täcker inte defekter eller skada på grund av felaktig användning, missbruk eller normal förslitning. Vid reklamation, var god att skicka det elektriska verktyget, ej isärtaget, med GARANTIBEVIS som hittas i slutet på denna instruktion, till en auktoriserad HiKOKI serviceverkstad.

Information angående buller och vibrationer

Uppmätta värden har bestämts enligt EN62841 och fastställts i enlighet med ISO 4871.

A-vägd ljudeffektnivå: 107 dB (A)

A-vägd ljudtrycksnivå: 96 dB (A)

Osäkerhet K: 3 dB (A)

Använd hörselskydd.

Vibration totalvärdet (triax vektorsumma) har bestämts enligt EN62841.

Vibrationsavgivning värde: 15,5 m/s²

Osäkerhet K = 1,5 m/s²

Det deklarerade totalvärdet för vibration och det deklarerade bulleremissionsvärdet har uppmätts i enlighet med en standardtestmetod och kan användas för att jämföra ett verktyg med ett annat.

De kan även användas vid en preliminär exponeringsbedömning.

VARNING

- Vibrations- och bulleremissionerna under faktisk användning av elverktyget kan skilja sig från det deklarerade totalvärdet beroende på hur verktyget används, särskilt vilken typ av arbetsstycke som bearbetas; och
- Identifiera säkerhetsåtgärder som kan utföras för att skydda operatören som baseras på en uppskattning av utsättning i verkligheten (tar med i beräkningen alla delar av användandet så som när verktyget är avstängt och när det körs på tomgång utöver ut då startomkopplaren används).

ANMÄRKNING

Beroende på HiKOKIs kontinuerliga forsknings- och utvecklingsarbete, förbehåller HiKOKI rätten till ändringar av tekniska data utan föregående meddelande.

GENERELLE SIKKERHEDSADVARSLER FOR ELEKTRISK VÆRKTØJ

⚠ ADVARSEL

Læs alle sikkerhedsforskrifter, instruktioner, illustrationer og specifikationer, der følger med dette elektriske værktøj.

Det kan medføre elektrisk stød, brand og/eller alvorlig personskade, hvis alle instruktionerne nedenfor ikke overholdes.

Gem alle advarsler og instruktioner, så du har dem til senere brug.

Termen "elektrisk værktøj" i advarselne henviser til værktøj, der tilsluttes lysnettet (med ledning), eller batteridrevet, (ledningsfrit) elektrisk værktøj.

1) Sikkerhed for arbejdsområde

- Hold arbejdsområdet rent og tilstrækkeligt oplyst. Rodede eller mørke områder øger risikoen for ulykker.
- Anvend ikke elektrisk værktøj, hvis der er eksplosionsfare, f.eks. i nærheden af brændbare væsker, gasser eller støv. Elektrisk værktøj frembringer gnister, som kan antænde støv eller dampe.
- Hold børn og tilskuere væk, mens det elektriske værktøj anvendes. Distractioner kan medføre, at du mister kontrollen over værktøjet.

2) Elektrisk sikkerhed

- Det elektriske værktøjs stik skal passe til stikkontakten. Foretag aldrig nogen form for ændringer af stikket. Brug ikke adapterstik til jordet (jordforbundet) elektrisk værktøj. Stik, der ikke er ændret, og egnede stikkontakter nedsætter risikoen for elektrisk stød.
- Undgå berøring af jordede eller jordforbundne overflader, f.eks. rør, radiatorer, komfurer og køleskabe. Der er en øget risiko for elektrisk stød, hvis kroppen er jordet eller jordforbundet.
- Udsæt ikke det elektriske værktøj for regn eller våde omgivelser. Hvis der trænger vand ind i det elektriske værktøj, øges risikoen for elektrisk stød.
- Misbrug ikke ledningen. Brug aldrig ledningen til at bære, trække eller afbryde det elektriske værktøj. Undgå, at ledningen kommer i kontakt med varmekilder, olie, skarpe kanter eller bevægelige dele. Beskadede eller sammenfiltrede ledninger øger risikoen for elektrisk stød.
- Når et elektrisk værktøj anvendes udendørs, skal det anvendes en forlængerledning, der er egnet til udendørs brug. Ved brug af en ledning, der er egnet til udendørs brug, reduceres risikoen for elektrisk stød.
- Hvis du er nødsaget til at anvende det elektriske værktøj på et fugtigt sted, skal du anvende en strømforsyning, der er beskyttet med en fejlstrømsafbryder (RDC). Brug af RDC reducerer risikoen for elektrisk stød.

3) Personlig sikkerhed

- Vær årvågen, hold opmærksomheden rettet mod arbejdet, og brug fornuften, når du anvender et elektrisk værktøj. Anvend ikke et elektrisk værktøj, hvis du er træt eller påvirket af narkotika, alkohol eller medicin. Et øjeblikvis uopmærksomhed, mens det elektriske værktøj anvendes, kan medføre alvorlig personskade.
 - Brug personlig sikkerhedsudstyr. Brug altid beskyttelsesbriller. Ved brug af sikkerhedsudstyr som støvmaske, skridsikre sikkerhedssko, hjelm eller høreværn, når disse er påkrævet, reduceres antallet af personskader.
 - Undgå utilsigtet start af værktøjet. Kontrollér, at kontakten er slået fra, før værktøjet sluttes til lysnettet og/eller batteripakke, eller før du samler værktøjet op eller bærer på det. Hvis du har fingern på kontakten, når du bærer værktøjet, eller kontakten er slået til, når det elektriske værktøj tilføres strøm, øges risikoen for ulykker.
 - Afmonter alle justeringsnøgler eller skruenøgler, før det elektriske værktøj startes. En skruenøgle eller en anden type nøgle, der sidder fast på en af det elektriske værktøjs roterende dele, kan medføre personskade.
 - Pas på ikke at få overbalance. Sørg hele tiden for at have et forsvarligt fodfæste og holde balancen. Derved kan du bedre styre det elektriske værktøj i uventede situationer.
 - Bær egnet påklædning. Vær ikke iført løst tøj eller løse smykker. Hold dit hår og tøj væk fra bevægelige dele. Løst tøj, løse smykker eller langt hår kan komme i klemme i de bevægelige dele.
 - Hvis der medfølger anordninger til udsugning og opsamling af støv, skal du kontrollere, at disse tilsluttes og anvendes på korrekt vis. Brug af støvopsamling kan reducere støvrelaterede risici.
 - Lad ikke kendskab erhvervet gennem hyppig brug af værktøjer være en sovende pose for dig, der får dig til at ignorere sikkerhedsprincipper for værktøj. En skodesløs handling kan forårsage alvorlig tilskadekomst i en brøkdal af et sekund.
- #### 4) Brug og vedligeholdelse af elektrisk værktøj
- Pres ikke det elektriske værktøj. Brug det rigtige elektriske værktøj til den pågældende opgave. Arbejdet udføres bedre og mere sikkert ved brug af det rigtige værktøj ved den tilsigtede hastighed.
 - Anvend ikke det elektriske værktøj, hvis kontakten ikke tænder og slukker værktøjet. Alt elektrisk værktøj, der ikke kan styres ved hjælp af kontakten, er farligt og skal repareres.
 - Tag stikket ud af stikkontakten, og/eller fjern batteripakken, hvis den er aftagelig, fra det elektriske værktøj, før du foretager justeringer, skifter tilbehør eller lægger det elektriske værktøj til opbevaring. Sådanne præventive sikkerhedsforanstaltninger reducerer risikoen for at starte det elektriske værktøj utilsigtet.
 - Opbevar elektrisk værktøj, der ikke er i brug, utilgængeligt for børn, og lad ikke personer, der ikke er vant til elektrisk værktøj, eller som ikke har læst denne vejledning, anvende det elektriske værktøj. Elektrisk værktøj er farligt i hænderne på uerfarne brugere.

Dansk

- e) Vedligehold elektrisk værktøj og tilbehør. Kontrollér for bevægelige dele, der er monteret forkert eller sidder fast, defekte dele eller andre forhold, der kan påvirke det elektriske værktøjs drift. Hvis det elektriske værktøj er beskadiget, skal det repareres før brug.
Mange ulykker skyldes dårligt vedligeholdt elektrisk værktøj.
- f) **Sørg for, at skæreværktøj er skarpt og rent.**
Der er mindre risiko for, at korrekt vedligeholdt skæreværktøj med skarpe kanter sætter sig fast, og det er nemmere at styre.
- g) **Brug det elektriske værktøj, tilbehør og bits osv. i overensstemmelse med denne vejledning under hensyntagen til arbejdsforholdene og det arbejde, der skal udføres.**
Der kan opstå farlige situationer, hvis det elektriske værktøj bruges til andre formål end de tilsigtede.
- h) **Hold håndtag og gribeblader tørre, rene og fri for olie og fedt.**
Glatte håndtag og gribeblader gør sikker håndtering og kontrol over værktøjet i uventede situationer umulig.
- 5) **Brug og vedligeholdelse af batteriværktøj**
- a) **Genopladning må kun udføres med den oplader, der er specificeret af producenten.**
En oplader, der passer til en type batteripakke, kan give risiko for brand, når den anvendes med en anden batteripakke.
- b) **Anvend kun elektrisk værktøj sammen med specielt angivne batteripakker.**
Anvendelse af andre batteripakker kan muligvis give risiko for tilskadekomst og brand.
- c) **Når batteripakken ikke anvendes, skal du opbevare den væk fra andre metalobjekter som fx papirclips, mønter, nøgler, søm, skruer eller andre små metalobjekter, der kan lave en forbindelse fra den ene pol til den anden.**
Kortsluttes batteripolerne, kan der opstå forbrændinger eller en brand.
- d) **Under særligt dårlige omstændigheder kan der sive væske ud af batteriet; Undlad at komme i berøring med den. Hvis du ved et uheld alligevel kommer i kontakt med væsken, skal du skylle med vand. Hvis væsken kommer i kontakt med øjnene, skal du desuden søge lægehjælp.**
Væske, der siver ud fra batteriet, kan irritere huden eller give forbrændinger.
- e) **Anvend ikke en batteripakke eller et værktøj, der er beskadiget eller ændret.**
Beskadigede eller ændrede batterier kan udvise uforudsigelig adfærd, der medfører brand, eksplosion eller risiko for tilskadekomst.
- f) **Udsæt ikke en batteripakke eller et værktøj for åben ild eller overdreven temperatur.**
Udsættelse for åben ild eller temperaturer på over 130°C kan medføre eksplosion.
- g) **Følg alle opladningsinstruktioner, og oplad ikke batteripakken eller værktøjet uden for det temperaturområde, der er angivet i instruktionerne.**
Forkert opladning eller opladning ved temperaturer uden for det angivne område kan beskadige batteriet og øge risikoen for brand.
- 6) **Service**
- a) **Få foretaget serviceeftersyn af dit elektriske værktøj hos en kvalificeret reparationstekniker, der kun bruger originale reservedele.**
Derved sikres det, at sikkerheden ved det elektriske værktøj opretholdes.

- b) **Udfør aldrig service på beskadigede batteripakker.**

Service på batteripakker bør kun udføres af producenten eller autoriserede serviceudbydere.

FORHOLDSREGEL

Hold børn og fysisk svagelige personer på afstand. Når værktøjet ikke er i brug, skal det opbevares utilgængeligt for børn og fysisk svagelige personer.

SIKKERHEDSADVARSLER FOR SLAGHAMMER CORDLESS

- 1. Antag altid, at værktøjet indeholder søm.**
Skødesløs håndtering af den Slaghammer kan medføre uventet affyring af søm og personskade.
- 2. Ret aldrig værktøjet mod dig selv eller nogen i nærheden.**
Uventet udløsning affyrer sømmet og medfører tilskadekomst.
- 3. Aktivér ikke værktøjet, medmindre det er anbragt forsvarligt mod arbejdsemnet.**
Hvis værktøjet ikke rører ved arbejdsemnet, kan sømmet blive afrettet væk fra dit mål.
- 4. Kobl værktøjet fra strømkilden, når sømmet sidder fast i værktøjet.**
Ved fjernelse af et søm, der sidder fast, kan den Slaghammer ved et uheld blive aktiveret, hvis den er sat til.
- 5. Anvend ikke denne Slaghammer til fastgørelse af elektriske kabler.**
Den er ikke beregnet til brug ved installation af elektriske kabler og kan beskadige isoleringen på de elektriske kabler, hvorved der er risiko for elektrisk stød eller brand.
- 6. Bær høreværn**
Udsættelse for støj kan medføre høretab.
- 7. Anvend hjælpelåstaget/håndtagene, hvis værktøjet er udstyret hermed.**
Hvis du mister kontrollen over værktøjet, kan det medføre personskade.
- 8. Hold fast i det elektriske værktøj på de isolerede gribeblader, når du udfører en funktion, der kan bringe fastgøringsanordningen i berøring med den skjulte ledningsføring.**
Fastgøringsanordninger, der kommer i berøring med en "strømførende" ledning, kan gøre metaldelene på det elektriske værktøj "strømførende" og kan give operatøren elektrisk stød.

EKSTRA SIKKERHEDSADVARSLER

- 1. Sørg for at holde godt fast i værktøjet under anvendelse.**
Hvis du ikke gør det, kan det resultere i ulykker eller tilskadekomst. (Fig. 12)
- 2. Sikker betjening gennem korrekt anvendelse.**
Dette værktøj er beregnet til at slå søm i træ og lignende materialer. Anvend det udelukkende til dets rigtige formål.
- 3. Vær forsigtig med antændelse og eksplosioner.**
Eftersom der kan opstå gnister under søm-islagning, er det farligt at anvende dette værktøj i nærheden af lak, maling, rensbenzin, fortynder, benzin, gas, klæbemidler og lignende brændbare sunstanser, da disse kan blive antændt eller eksplodere. Under ingen omstændigheder må dette værktøj derfor anvendes i nærheden af sådanne brændbare materialer.

4. Brug altid øjenbeskyttelse (beskyttelsesbriller).



Brug altid øjenbeskyttelse, når De anvender værktøjet, og sørg for, at også omkringstående personer anvender øjenbeskyttelse.

Hvis fragmenter af søm, der ikke blev slået ordentligt i, kommer i øjnene, kan det nedsætte synet. Øjenbeskyttelse kan købes hos enhver isenkræmmer. Bær altid øjenbeskyttelse under anvendelse af dette værktøj. Anvend enten øjenbeskyttelse eller en bred maske over briller med glas med styrke.

Arbejdsgiveren bør altid gøre anvendelse af øjenbeskyttelse obligatorisk.

5. Beskyt hørelse og ansigt.

Anvend høreværn og hovedbeskyttelse under arbejdet med islagning af søm. Afhængigt af tilstanden, bør man ligeledes sikre, at omkringstående personer også bruger høreværn og hovedbeskyttelse.

6. Vær opmærksom på personer, som arbejder i nærheden.

Det er yderst farligt, hvis søm, der ikke er slået ordentligt i, rammer andre personer. Vær derfor altid opmærksom på sikkerheden for de personer, som befinder sig i nærheden, når der arbejdes med dette værktøj. Forvis Dem altid om, at ingen personer i nærheden har krop, hænder eller fødder for tæt på sømudgangen.

7. Ret aldrig sømudgangen mod andre personer.



Gå altid ud fra, at værktøjet indeholder søm.

Hvis sømudgangen er rettet mod en person, kan der ske alvorlige ulykker, hvis De ved en fejltagelse kommer til at tømme værktøjet. Ved til- og frakobling af batteriet under påfyldning af søm eller lignende funktioner skal du sørge for, at sømudtaget ikke peger mod personer (ej heller dig selv). Selvom værktøjet ikke indeholder nogen søm, er det farligt at tømme værktøjet, mens det er rettet mod en person, så undgå til enhver tid at gøre dette. Brug ikke værktøjet som legetøj. Respekter værktøjet som et arbejdsredskab.

8. Kontrollér stangen før brug.

Sørg for, at stangen fungerer korrekt. Anvend aldrig den Slaghammer, medmindre stangen fungerer ordentligt, idet den Slaghammer ellers uventet kan afgive et søm. Undgå at manipulere med eller fjerne stangen, idet stangen ellers bliver ubrugelig.

9. Anvend kun de foreskrevne søm.

Anvend aldrig andre søm end dem, der er specificerede og beskrevet i denne brugsvejledning.

10. Vær påpasselig ved tilslutning af slangen.

Forvis Dem om følgende, når De tilslutter slangen og isætter søm, således at De ikke kommer til at affyre værktøjet ved en fejltagelse.

- Rør ikke ved udløseren.
- Tillad ikke at affyringshovedet kontakter nogen flade.
- Hold affyringshovedet nedad.

Observer nøje de ovenstående sikkerhedsforskrifter og forvis Dem altid om, at ingen kropsedele, hænder eller ben på noget tidspunkt befinder sig foran sømudgangen.

11. Anbring ikke forsigtigt fingeren på udløseren.

Anbring ikke fingeren på udløseren, undtagen når sømislagningen udføres. Hvis De bærer værktøjet eller rækker det til en anden person, mens De har fingeren på udløseren, kan De uforvarende komme til at udløse et søm og således forårsage en ulykke.

12. Tryk sømudgangen fast mod det materiale, i hvilket der skal slås søm i.

Ved islagning af søm skal sømudgangen presses fast mod det materiale, i hvilket der skal slås søm i. Hvis dette ikke gøres, vil der være risiko for, at sømmene kan springe tilbage.

13. Hold hænder og fødder på god afstand af affyringshovedet under brugen.



Der er meget farligt, hvis hænder eller fødder ved en fejltagelse rammes af et søm.

14. Vær på vagt overfor tilbageslag af værktøjet.

Hold hovedet etc. på god afstand af værktøjets øverste del under arbejdet. I modsat fald kan der opstå farlige situationer, eftersom der er risiko for, at værktøjet kan slå voldsomt tilbage, hvis det søm, der slås i, kommer i kontakt med det foregående søm eller en knast i træet.

15. Vær forsigtig, når der slås søm i tynde træplader eller i hjørner på træplader.

Ved islagning af søm i tynde træplader, er der risiko for, at sømmene går helt igennem pladen, hvilket ligeledes kan være tilfældet, når der slås søm i hjørner af en træplade, grundet retningsafvigelse på sømmet. Forvis Dem i et sådant tilfælde om, at ingen personer har hænder eller fødder eller andre legemsdele bag den tynde træplade eller ved siden af det stykke træ, hvori der skal slås søm.

16. Samtidig islagning af søm på begge sider af den samme væg er farligt.

Islagning af søm bør under ingen omstændigheder finde sted på begge sider af en væg samtidigt. Dette er overordentlig farligt, eftersom sømmene kan trænge gennem væggen og således blive årsag til personskade.

17. Anvend aldrig værktøjet på stilladser eller stiger.

Værktøjet bør ikke anvendes til specielle formål, som for eksempel:

- når ændring af et islagingssted indebærer anvendelse af stilladser, trapper, stiger eller stigelignende konstruktioner, for eksempel taglægter.
- lukning af kasser eller tremmekasser.
- montering af transport-sikkerhedssystemer på for eksempel køretøjer og vogne.

18. Fjern alle resterende søm samt batteriet fra den Slaghammer ved:

- 1) der udføres vedligeholdelse og eftersyn;
- 2) kontrol af korrekt drift af stang og udløser;
- 3) du afhjælper skruestop;
- 4) dykkerpistolen ikke er i brug;
- 5) du forlader arbejdsområdet;
- 6) du flytter dykkerpistolen et andet sted hen; og
- 7) rækker den til en anden person.

Forsøg først at afhjælpe sømstop eller udføre reparation af den Slaghammer, når du har fjernet batteriet og alle resterende søm fra den Slaghammer.

Den Slaghammer må aldrig efterlades uden opsyn, idet personer, der ikke er bekendt med brugen af den Slaghammer, kunne påbegynde håndtering af den og komme til skade.

19. Ved rengøring af det elektriske værktøj må du ikke anvende benzin eller andre brændbare væsker.

Hvis damp fra en brændbar væske kommer ind i det elektriske værktøj, er der fare for, at gnister produceret ved hæftning, osv. kan medføre eksplosion.

20. Driftsområdet for dette apparat ligger mellem 0°C og 40°C, derfor vær sikker på, at bruge apparatet indenfor dette område. Apparatet kan risikere ikke at virke under 0°C eller over 40°C.

21. Lad ALDRIG magneter (eller lignende magnetiske enheder) være ved siden af den Slaghammer, idet der er en magnet inde i den Slaghammer.

Gør du det, medfører det manglende funktion i dykkerpistolens eller tilskadekomst som følge af funktionsfejl.

22. Slukning af enheden efter kontinuerligt arbejde.

Dansk

23. Dette elektriske værktøj er udstyret med et temperaturbeskyttelseskredsløb for at beskytte motoren. Kontinuerligt arbejde kan få temperaturen i enheden til at stige, aktivere temperaturbeskyttelseskredsløbet og automatisk stoppe driften. Hvis dette sker, skal du lade det elektriske værktøj køle ned, før brugen genoptages.
 24. Dette produkt holder muligvis op med at fungere, når der registreres en abnormitet.
 25. Se ikke direkte ind i lyset. Sådanne handlinger kan medføre øjenskader.
Tør eventuelt snavs og smuds af, der sidder på LED-lampens linse, med en blød klud, mens du passer på ikke at ridse linsen.
Ridser på LED-lampens linse kan medføre reduceret lysstyrke.
3. Hvis batteriet overophedes pga. overbelastning, holder batteriet op med at levere strøm.
I tilfælde heraf skal du indstille brugen af batteriet og lade det køle af. Efter at du har gjort det, kan du anvende værktøjet igen.
Vær desuden opmærksom på følgende advarsler og forholdsregler.

ADVARSEL

For på forhånd at forhindre enhver form for batterilækage, varmeudvikling, røgudvikling, eksplosion og antændelse, skal du sørge for at være opmærksom på følgende sikkerhedsforanstaltninger.

1. Sørg for, at spåner og støv ikke samler sig på batteriet.
 - Under arbejdet skal du sørge for, at der ikke falder spåner og støv ned på batteriet.
 - Sørg for, at eventuelle spåner og støv, der falder ned på det elektriske værktøj under arbejdet, ikke samler sig på batteriet.
 - Opbevar ikke et ubrugt batteri på et sted, der udsættes for spåner og støv.
 - Før du lægger et batteri til opbevaring, skal du fjerne eventuelle spåner og støv, der sidder fast på det, og ikke opbevare det sammen med andre metalobjekter (skruer, søm, osv.).

2. Undlad at punktere batteriet med et skarpt objekt som fx et søm, slå på det med en hammer, træde på det, kaste med det eller udsætte batteriet for voldsomme stød.

3. Undlad at anvende et tydeligt beskadiget eller deformt batteri.

4. Undlad at anvende batteriet i omvendt polaritet.

5. Undlad at tilslutte direkte til elektriske stikkontakter eller en cigarettændere i biler.

6. Undlad at anvende batteriet til andre formål end dem, der er angivet.

7. Hvis batteriet ikke oplades helt, selv efter at den angivne opladetid er gået, skal du øjeblikkeligt stoppe yderligere opladning.

8. Undlad at anbringe eller udsætte batteriet for høje temperaturer eller høje tryk som fx inde i en mikroovn, et tørreapparat eller en beholder med højt tryk.

9. Hold det øjeblikkeligt væk fra åben ild, hvis der opdages en lækage eller ubehagelig lugt.

10. Undlad at anvende det på et sted hvor der udvikles kraftig statisk elektricitet.

11. Hvis der opstår batterilækage, ubehagelig lugt, hvis der udvikles varme, batteriet er misfarvet eller deformt eller på nogen anden måde forekommer unormalt under brug, opladning eller opbevaring, skal du øjeblikkeligt fjerne det fra udstyret eller batteriopladeren og indstille brugen.

12. Nedsænk ikke batteriet i væsker, og lad ikke væsker trænge ind. Indtrængen af ledende væske, som f.eks. vand, kan medføre beskadigelse og forårsage brand eller eksplosion. Opbevar batteriet på et koldt, tørt sted, væk fra brændbart materiale. Områder med ætsende gas skal undgås.

FORSIGTIG

1. Hvis du får væske, der er lækket fra batteriet, i øjnene, må du ikke gnide i øjnene, men vaske dem godt med rent vand som fx vand fra vandhanen og straks kontakte en læge.
Hvis det ikke behandles, kan væsken forårsage problemer med øjnene.

2. Hvis du får væske på huden eller tøjet, skal du øjeblikkeligt vaske det af med rigeligt rent vand som fx vand fra hanen.
Det er muligt, at det kan give hudirritation.

3. Hvis du opdager rust, ubehagelig lugt, misfarvning, deformation og/eller andre uregelmæssigheder, når du anvender batteriet for første gang, skal du undlade at anvende det og returnere det til din leverandør eller forhandler.

SIKKERHEDSFORANSTALTNINGER FOR BATTERI OG OPLADER

1. **Oplad batteriet ved en omgivende temperatur på 0–40°C.**

Temperaturer på under 0°C medfører overopladning, der er farligt. Batteriet kan ikke oplades ved temperatur på over 40°C.

Den mest egnede temperatur for opladning ligger på 20–25°C.

2. **Anvend ikke opladeren kontinuerligt.**

Når en opladning er fuldført, skal du lade opladeren ligge i omtrent 15 minutter, før du oplader næste batteri.

3. **Undgå, at fremmedlegemer trænger ind i hullet til tilslutning af det genopladelige batteri.**

4. **Skil aldrig det genopladelige batteri eller opladeren ad.**

5. **Kortslut aldrig det genopladelige batteri.**

Kortslutning af batteriet forårsager en stor elektrisk strømning og overophedning. Det medfører forbrændinger eller beskadigelse af batteriet.

6. **Bortskaf ikke batteriet ved at kaste det på et bål.**

Hvis batteriet brændes, kan det eksplodere.

7. **Anvendelse af et afladet batteri beskadiger opladeren.**

8. **Når batteriet har nået slutningen af sin levetid, skal du levere det tilbage til den forretning, hvor du købte det.**

Bortskaf ikke det afladete batteri.

9. **Stik ikke genstande ind i opladerens ventilationsåbninger.**

Hvis metalgenstande eller brændbare stoffer kommer ind i opladerens ventilationsåbninger, kan det give elektriske stød eller odelægge opladeren.

FORHOLDSREGEL OM LITHIUM-ION-BATTERIET

For at forlænge levetiden er lithium-ion-batteri udstyret med en beskyttelsesfunktion, der kan stoppe strømudladningen. Hvis situation 1 til 3, der er beskrevet nedenunder, skulle opstå under brug af dette produkt, stopper motoren muligvis, selv om du trykker på kontakten. Dette er ikke selve problemet, men resultatet af beskyttelsesfunktionen.

1. Motoren stopper, hvis der ikke længere er tilstrækkelig med strøm på batteriet.

Hvis dette skulle ske, skal du straks lade batteriet op.

2. Hvis værktøjet er overbelastet, stopper motoren muligvis. Hvis dette skulle ske, skal du frigive værktøjets kontakt og fjerne årsagerne til overbelastningen. Efter at du har gjort det, kan du anvende værktøjet igen.

ADVARSEL

Hvis der trænger et elektrisk ledende fremmedlegeme ind i terminalen på lithium-ion-batteriet, kan batteriet kortsluttes, hvilket kan medføre brand. Ved opbevaring af lithium-ion-batterier skal du sørge for at overholde reglerne for følgende indhold.

- Placér ikke elektrisk ledende snavs, søm og ledninger som jern- og kobberledning i opbevaringskassen.
- For at hindre kortslutning skal du sætte batteriet i værktøjet og sætte batteridækslet sikkert på for opbevaring, indtil du ikke længere kan se ventilatoren (Fig. 2).

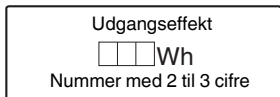
VEDRØRENDE TRANSPORT AF LITHIUM-ION-BATTERI

Ved transport af lithium-ion-batteri bedes du overholde følgende forholdsregler.

ADVARSEL

Giv transportfirmaet besked om, at pakken indeholder et lithium-ion-batteri, informér firmaet om batteriets udgangseffekt, og følg transportfirmaets instruktioner, når du arrangerer transport.

- Lithium-ion-batterier, der overstiger en udgangseffekt på 100 Wh, betragtes som værende i fragtklassificeringen farligt gods og kræver særlige anvendelsesprocedurer.
- Ved transport til udlandet skal du overholde international lovgivning samt regler og bestemmelser i det land, der transporterer til.



BETEGNELSER FOR DELE (Fig. 1 – Fig. 12)

①	Affyringshoved (udtag)
②	Stang
③	LED-lampe
④	Udløser
⑤	Krog
⑥	Batteri
⑦	Lås
⑧	Batteridæksel
⑨	Terminaler
⑩	Ventilationshuller
⑪	Oplader
⑫	Sømhoved

⑬	Sømskaft
⑭	Spids af søm
⑮	Magnet
⑯	Magnetiseret område
⑰	Søm
⑱	Driverenhed
⑲	Metalsammenføjning
⑳	Hul
㉑	Skrue
㉒	Rille
㉓	Tang

SYMBOLER

ADVARSEL

Det følgende viser symboler, som anvendes for maskinen. Vær sikker på, at du forstår deres betydning, inden du begynder at bruge maskinen.

	NH18DSL: Slaghammer cordless
	Brugeren skal læse betjeningsvejledningen for at mindske risikoen for skader.
	Operatører og andre i arbejdsområdet skal være iført sikkerhedsbriller med sidebeskyttelse.
	Ret aldrig værktøjet mod dig selv eller andre i arbejdsområdet.
	Kobl batteriet fra
	Må ikke anvendes på stilladser, stiger.
	Kun for EU-lande Elektrisk værktøj må ikke bortskaffes som almindeligt husholdningsaffald! I henhold til det europæiske direktiv 2012/19/EU om bortskaffelse af elektrisk og elektronisk udstyr og gældende national lovgivning skal brugt elværktøj indsamles separat og bortskaffes på en måde, der skåner miljøet mest muligt.
	Jævnstrøm
	Vægt (I henhold til EPTA-procedure 01/2014)
	Slå dykkerpistol TIL
	Slå dykkerpistol FRA
	Advarsel
	Forbudt handling

SPECIFIKATIONER

1. Slaghammer cordless

Model	NH18DSL
Spænding	18 V
Antal slag	4000 min ⁻¹
Anvendeligt søm	ø1,7 – 4,1 mm (Se Tabel 1)* ¹
Anvendelig sømlængde	25 mm til 90 mm* ¹
Vægt* ²	1,3 – 1,9 kg
Mål Højde x længde	135 mm x 285 mm (BSL1815)

*1: Vanskeligheder ved træ: SPF, cedetræ

Kan muligvis ikke køre et søm helt ind i hårde materialer såsom skarntydegran, MDF eller lamineret tømmer.

*2: Vægt: I henhold til EPTA-procedure 01/2014. Afhænger af monteret batteri. Den tungeste vægt måles med BSL36B18 (forhandles separat).

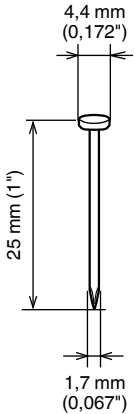

BEMÆRK

Grundet HiKOKI's løbende forskning og udvikling kan specifikationer heri ændres uden forudgående varsel.

VALG AF SØM

Anvend søm i følgende størrelser til denne Slaghammer.

Tabel 1

Min.	Maks.
 <p>4,4 mm (0,172")</p> <p>25 mm (1")</p> <p>1,7 mm (0,067")</p>	 <p>8,7 mm (0,344")</p> <p>90 mm (3-1/2")</p> <p>4,1 mm (0,162")</p>

ADVARSEL

- Anvend ikke søm i andre størrelser. De kan beskadige stangen eller affyres skråt.
- Vær opmærksom på størrelserne på sømhoveder. Størrelsen på sømhoveder kan variere mellem stor og lille ved kommercielt tilgængelige bulk-søm.
- Anvend ikke hærdede søm.

BEMÆRK

- Kan muligvis ikke køre et søm helt ind i hårde materialer såsom skarntydegran, MDF eller lamineret tømmer.

STANDARDTILBEHØR

ADVARSEL

- Andet tilbehør end det, der er vist nedenfor, kan føre til funktionfejl og deraf følgende skader.

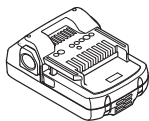
- ① Øjenbeskyttelse.....1



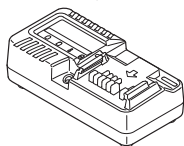
BEMÆRK: Tilbehør kan ændres uden nogen forpligtelse for HIKOKI.

EKSTRAUDSTYR (SÆLGES SEPARAT)

1. Batteri
○ BSL1815



2. Oplader
○ UC18YKSL (Opladningsspænding: 14,4 V – 18 V)



Der forbeholdes ret til ændringer af ekstraudstyr uden varsel.

ANVENDELSE

- Træmaterialer i almindelige konstruktioner, beslag, træplader, stelværk og renoveringer

OPLADNING

Batteri og batterilader leveres ikke med dette produkt. Ved genopladelige batterier skal du oplade i henhold til håndteringsvejledningen til den oplader, som du anvender. (Fig. 5)

MONTERING OG ANVENDELSE

Handling	Figur	Side
Isætning og fjernelse af batteriet	3	2
Betjening af kontakt	4	2
Opladning	5	3
Kontrol af stangens funktioner*1	6	3
Islåning, når sømmet holdes ved hjælp af magneten*2	7	3
Islåning, når sømmet holdes med fingrene.*3	8	3
Fastgørelse af søm i metalsammenføjnngen*4	9	4
Anvendelse af krognen*5	10	4
Afhjælpning af sømstop	11	4
Valg af tilbehør	—	199

*1 ADVARSEL

- Kontrollér, at stangen glider jævnt, når den betjenes. Rengør glideområdet på stangen, hvis den ikke glider jævnt.

*2 ADVARSEL

- Når du sætter et søm i stangen, skal du holde ved sømskaffet i stedet for spidsen.
- Når du sætter et søm i stangen, skal du sørge for, at det ikke trykker på spidsen af driverenheden.
- Når du sætter et søm i stangen, må du ikke placere fingre eller hænder under spidsen på sømmet.

*3 ADVARSEL

- Ved islåning af et søm, når det holdes med fingrene, skal du anbringe spidsen af sømmet ved et mål først og derefter sætte stangen på sømhovedet.

*4 ADVARSEL

- Ved islåning af søm skal du sørge for, at spidsen af sømmet er i hullet i metalsammenføjnngen.

*5 FORSIGTIG

- Ved anvendelse af krognen skal du hænge det elektriske værktøj ordentligt fast, så det ikke falder af ved et uheld. Hvis du taber det elektriske værktøj, kan det føre til en ulykke.
- Sørg for, at batteriet er fjernet, når du anvender krognen.
- Monter krognen sikkert. Medmindre krognen er monteret sikkert, kan den medføre tilskadecomst under anvendelse.

FORSIGTIG

Når du skyder søm i, skal du gøre det under kort tid og undgå kontinuerligt arbejde. Ellers kan der opstå en fejl eller lække fedt.

VEDLIGEHOLDELSE OG EFTERSYN

FORSIGTIG

Sørg for at fjerne batteriet fra den Slaghammer før vedligeholdelse og eftersyn.

ADVARSEL

- Kobl batteriet fra, og fjern sømmet fra den Slaghammer ved:

- 1) Udførelse af vedligeholdelse og eftersyn; og
- 2) afhjælpning af sømstop.

- Uden at tilslutte batteriet skal du kontrollere, om stangen bevæger sig stabilt ved at trykke spidsen af stangen mod et materiale som f.eks. træ.

1. Afhjælpning af sømstop (Fig. 11)

- ① Fjern batteriet fra den Slaghammer.
- ② Fjern det fastsiddende søm med en tang.
- ③ I tilfælde af hyppigt sømstop skal du kontakte et HIKOKI-autoriseret servicecenter.

2. Eftersyn af stang (Fig. 6)

Rengør og smør glidedelen af stangen og stikket regelmæssigt.

Kontrollér, om stangen bevæger sig jævnt ved at trykke den Slaghammer mod et materiale som f.eks. træ.

Når jernstøv eller lignende sætter sig fast på det magnetiserede område inden for stangen, reduceres den magnetiske kraft til at holde fast på et søm muligvis. Tør området af med en klud eller klæbebånd indimellem. Tør også jernpulveret på magneten uden for stangen af med en klud eller klæbebånd indimellem. Det gør stangens funktion jævn.

3. Eftersyn af monterings skrue

Efterse regelmæssigt alle monterings skrue, og sørg for, at de er spændt ordentligt. Hvis nogle af skrueene er løse, skal du omgående spænde dem igen. Hvis du ikke gør det, kan det medføre alvorlig fare.

4. Vedligeholdelse af motoren

Motor delen er selve "hjertet" af det elektriske værktøj. Udvis forsigtighed for at sikre, at motordelen ikke beskadiges og/eller bliver våd af olie eller vand.

5. Udvendig rengøring

Når det elektriske værktøj er snavset, kan du tørre det af med en blød, tør klud eller en klud fugtet med sæbevand. Brug ikke kloropløsning, benzin eller fortynder, da disse væsker opløser plastik.

6. Opbevaring

Opbevar det elektriske værktøj og batteriet på et sted, hvor temperaturen er under 40°C, og som er udenfor børns rækkevidde.

BEMÆRK

Opbevaring af lithium-ion-batterier.

Sørg for, at lithium-ion-batterierne er blevet ladet helt op, inden de opbevares.

Længerevarende opbevaring (3 måneder eller derover) af batterier med en lille ladning kan resultere i en forringelse af ydeevnen, reducere brugstiden for batterierne væsentligt eller gøre, at batterierne ikke kan bevare en opladning.

Dog kan væsentligt reduceret brugstid for batterierne muligvis genoprettes ved hjælp af gentaget opladning og brug af batterierne to til fem gange.

Hvis brugstiden for batterierne er ekstremt kort på trods af gentaget opladning og brug, bør du betragte batterierne som udtjente og købe nogle nye.

FORSIGTIG

Ved anvendelse og vedligeholdelse af el-værktøj skal de sikkerhedsregler og standarder, som gælder i hvert enkelt land, nøje overholdes.

Vigtig meddelelse angående batterier til ledningsfri elektriske værktøjer fra HiKOKI

Brug altid et af vores designerede originale batterier. Vi kan ikke garantere for sikkerheden og ydelsen af vores ledningsfri elektriske værktøj ved brug af andre batterier end dem, vi har angivet, eller hvis batteriet skilles ad og ændres (som f.eks. adskillelse og udskiftning af celler eller andre indvendige dele).

GARANTI

Vi yder garanti på elektriske værktøjer fra HiKOKI i henhold til lovmæssige/nationale særbestemmelser alt efter land. Denne garanti dækker ikke defekter eller beskadigelse som følge af mishandling, misbrug eller normal slidage. I tilfælde af klager bedes du indsende det elektriske værktøj, samlet med det GARANTIBEVIS, der forefindes i slutningen af denne håndteringsvejledning, til et HiKOKI-autoriseret servicecenter.

Information om luftbåren støj og vibration

De målte værdier blev fastsat i overensstemmelse med EN62841 og erklæret i overensstemmelse med ISO 4871.

Det afmålte A-vægtede lydniveau: 107 dB (A)

Det afmålte A-vægtede lydtryksniveau: 96 dB (A)

Usikkerhed K: 3 dB (A).

Brug høreværn.

De samlede vibrationsværdier (treaksiel vektorsum) bestemt i overensstemmelse med EN62841.

Vibrationsudsendelsesværdi: 15,5m/s²

Usikkerhed K = 1,5 m/s²

Den erklærede samlede vibrationsværdi og den erklærede støjemissionsværdi er blevet målt i overensstemmelse med en standardtestmetode og kan anvendes til at sammenligne et værktøj med et andet.

De kan også anvendes i en foreløbig vurdering af eksponeringen.

ADVARSEL

- Vibrationen og støjemissionen under den faktiske brug af det elektriske værktøj kan afvige fra den erklærede samlede værdi, alt efter hvilke måder værktøjet anvendes på, især hvilken type arbejdsemne der behandles; og
- For at identificere sikkerhedsforanstaltningerne til beskyttelse af brugeren, er der foretaget en vurdering af eksponeringen ved brug under virkelige forhold (hvor der er taget højde for alle dele af betjeningscyklen, som fx når værktøjet er slukket, og når det kører i tomgang, udover tiden hvor der trykkes på aftrækkeren).

BEMÆRK

Grundet HiKOKI's løbende forskning og udvikling kan specifikationer heri ændres uden forudgående varsel.

GENERELLE SIKKERHETSFORHOLDSREGLER FOR ELEKTROVERKTØY

⚠ ADVARSEL

Les alle sikkerhetsadvarslene, instruksjoner, illustrasjoner og spesifikasjoner som medfølger. Følges ikke alle instruksjonene under, kan det medføre elektrisk støt, brann og/eller alvorlig personskade.

Ta vare på alle varsler og instruksjoner for fremtidig bruk.

Betegnelsen "elektroverktøy" i advarslene henviser både til elektrisk elektroverktøy (med ledning) og batteridrevet elektroverktøy.

1) Sikring på arbeidsområdet

- Hold arbeidsområdet rent og godt opplyst.**
Uryddige eller mørke områder kan føre til ulykker.
- Bruk aldri elektroverktøy på steder med fare for eksplosjon, slik som i nærheten av brennbare væsker, gass eller støv.**
Støv eller gasser kan antennes av gnister fra elektroverktøyet.
- La aldri barn eller andre personer stå i nærheten når du bruker et elektroverktøy.**
Du kan bli forstyrret og miste kontroll over verktøyet.

2) Elektrisk sikkerhet

- Støpslet på elektroverktøyet må passe med vegguttaket. Du må aldri endre støpslet på noen måte. Bruk aldri en adapter sammen med et jordet elektroverktøy.**
Uendrede støpsler og passende uttak vil redusere faren for elektrisk støt.
- Unngå å komme i kontakt med jordede overflater slik som rør, radiatorer, komfyrer eller kjøleskap. Faren for elektrisk støt vil være større dersom du er jordet.**
- La aldri elektroverktøyet utsettes for regn eller fuktighet.**
Dersom det kommer vann inn i elektroverktøyet, kan det øke faren for elektrisk støt.
- Ikke skad ledningen. Bruk aldri ledningen til å bære, trekke eller kople fra elektroverktøyet. Hold strømledningen unna varme, olje, skarpe kanter eller bevegelige deler.**
Skadde eller sammenflettede ledninger øker faren for elektriske støt.
- Når du bruker elektroverktøy utendørs, bruk en skjøteledning som er egnet for utendørs bruk. Bruk av en skjøteledning som er beregnet for utendørs bruk, vil redusere faren for elektrisk støt.**
- Hvis bruk av elektroverktøyet i et fuktig område ikke kan unngås, bruk et strømuttak med jordfeilbryter. Bruk av jordfeilbryter reduserer faren for elektriske støt.**

3) Personlig sikkerhet

- Vær påpasselig, se hva du gjør og bruk sunn fornuft når du bruker et elektroverktøy. Du må aldri bruke et elektroverktøy når du er sliten eller trett, eller dersom du er påvirket av narkotiske stoffer, alkohol eller medisiner. Når du bruker et elektroverktøy, vil kun et par sekunders uoppmerksomhet kunne føre til alvorlige personskader.**
- Bruk personlig verneutstyr. Ha alltid på deg vernebriller.**
Bruk av verneutstyr som en støvmaske, skliskikre vernesko, vernehjelm eller hørselsvern i passende forhold vil redusere personskader.

- Forhindre utilsiktet start av elektroverktøyet. Pass på at bryteren på elektroverktøyet er slått av før verktøyet koples til veggkontakten og/eller batteriet, eller før verktøyet løftes eller bæres.**
Hvis du holder fingeren på bryteren når du bærer elektroverktøyet, eller dersom bryteren er slått på når det er koblet til en strømkilde kan det oppstå ulykker.
 - Fjern eventuelle justeringsnøkler eller skrunøkler før du slår på elektroverktøyet. Dersom en justeringsnøkkel eller skrunøkkel er festet til en roterende del på elektroverktøyet når det startes, kan det føre til personskade.**
 - Ikke strekk eller len deg for langt. Pass på at du står stødig og har god balanse til enhver tid.**
Dette vil gi deg bedre kontroll over elektroverktøyet i uventede situasjoner.
 - Kle deg ordentlig. Ikke gå med løstsittende klær eller smykker. Hold hår og klær unna bevegelige deler.**
Løse klær, smykker eller langt hår kan vikle seg inn i de bevegelige delene.
 - Hvis verktøyet leveres med en støvsamler eller annet oppsamlingsutstyr, må du passe på at disse monteres og brukes på riktig måte.**
Bruk av støvopsamler kan redusere støvrelaterte farer.
 - Ikke ta lett på eller overse sikkerhetsprinsippene for verktøyet selv om du har blitt godt kjent med det som følge av hyppig bruk.**
En uforsiktig handling kan på brøkdelen av et sekund forårsake alvorlige personskader.
- ### 4) Bruk og vedlikehold av elektroverktøy
- Ikke overbelast elektroverktøyet. Bruk riktig elektroverktøy til arbeidet som skal utføres.**
Riktig elektroverktøy vil gjøre arbeidet lettere og tryggere i den brukshastigheten det er beregnet til.
 - Ikke bruk elektroverktøyet dersom av/på-knappen ikke virker.**
Det er farlig å bruke elektroverktøy som ikke kan kontrolleres ved bruk av av/på-knappen. Verktøyet må da repareres.
 - Kople støpslet fra strømkilden og/eller ta batteripakken ut av elektroverktøyet, hvis dette er mulig, før du foretar justeringer, skifter tilbehør eller legger vekk elektroverktøy.**
Slike forebyggende sikkerhetstiltak reduserer risikoen for å starte elektroverktøyet ved et uhell.
 - Lagre elektroverktøyet som ikke er i bruk utilgjengelig for barn, og la aldri personer som ikke er kjent med elektroverktøyet eller denne brukerveiledningen, bruke elektroverktøyet.**
Elektroverktøy er farlige hvis det brukes av uerfarne personer.
 - Vedlikehold elektroverktøyet og tilbehør. Kontroller at ingen bevegelige deler har låst seg, er feiljustert, knekt, eller har andre skader som kan påvirke bruken av elektroverktøyet. Hvis elektroverktøyet er skadet, må det repareres før det brukes.**
Mange ulykker oppstår på grunn av dårlig vedlikehold av elektroverktøy.
 - Hold skjæreverktøy skarpe og rene.**
Riktig vedlikehold av skjæreverktøy med skarpe skjærekanter vil redusere faren for at de låser seg, samtidig som de vil være lettere å kontrollere.
 - Bruk elektroverktøyet, ekstraustyr, bor osv. i samsvar med disse instruksjonene, og ta alltid arbeidsoppgavene og arbeidsforholdene med i betraktning.**
Hvis elektroverktøyet brukes til andre operasjoner enn det er beregnet for, kan det oppstå farlige situasjoner.

- h) **Hold håndtak og gripeflater tørre, rene og fri for olje og fett.**

Glatte håndtak og gripeflater hindrer trygg håndtering og kontroll av verktøyet i uventede situasjoner.

- 5) **Bruk og vedlikehold av batteridrevet verktøy**
- a) **Batteriet skal kun lades opp med en lader som er angitt av produsenten.**
En lader som passer for én batteripakke, kan forårsake brannfare hvis den brukes med andre batteripakker.
- b) **Bruk bare elektroverktøyet med spesifisert type batteripakke.**
Bruk av andre batteripakker kan føre til brannfare og skader.
- c) **Når batteripakken ikke er i bruk, hold det unna andre metallgjenstander som binderser, mynter, spiker, skruer eller andre små metallgjenstander som kan skape en forbindelse mellom batteripolene.**
Kortslutning av batteripolene kan forårsake skader eller brann.
- d) **Under uvørne forhold kan væske sprute ut fra batteriet, unngå kontakt. Hvis kontakt skulle oppstå, skyl med store mengder vann. Hvis væsken kommer i kontakt med øynene, må du også søke medisinsk hjelp.**
Batterivæsken kan forårsake iritasjon eller brannskår.
- e) **Ikke bruk en batteripakke eller et verktøy som er skadet eller modifisert.**
Skadede eller modifiserte batterier kan ha en uforutsigbar oppførsel som medfører brann, eksplosjon eller fare for skade.
- f) **Ikke eksponer en batteripakke eller et verktøy for ild eller for høy temperatur.**
Eksponering for ild eller temperaturer over 130°C kan forårsake en eksplosjon.
- g) **Følg alle ladeinstruksjoner og lad ikke batteripakken eller verktøyet utenfor temperaturområdet som er angitt i instruksjonene.**
Feil lading eller lading ved temperaturer utenfor det angitte området kan skade batteriet og øke risikoen for brann.

6) Service

- a) **La kvalifisert servicepersonell som kun bruker originale reservedeler utføre service på elektroverktøyet.**
Dette vil sikre at sikkerheten på elektroverktøyet opprettholdes.
- b) **Utfør aldri service på skadede batteripakker.**
Service på batteripakker skal kun utføres av produsenten eller godkjente serviceleverandører.

FORHOLDSREGLER

Hold avstand til barn og svake personer.
Når det ikke er i bruk, skal elektroverktøy oppbevares utilgjengelig for barn og svake personer.

SLAGHAMMER CORDLESS SIKKERHETSADVARSLER

- Gå alltid ut fra at verktøyet inneholder spiker.**
Uforsiktig håndtering av Slaghammer kan føre til uventet avfiring av spiker og personskade.
- Ikke rett verktøyet mot deg selv eller noen i nærheten.**
Utilsluttet utløsning vil fyre av spikeren og forårsake skade.
- Ikke utløs verktøyet med mindre det er godt plassert mot arbeidsstykket.**
Hvis verktøyet ikke er i kontakt med arbeidsstykket, kan spikeren avledes fra målet ditt.
- Koble verktøyet fra strømkilden hvis spikeren er kilt fast i verktøyet.**
Når du fjerner en fastkilt spiker, kan Slaghammer bli aktivert ved et uhell hvis den er koblet til.
- Ikke bruk denne Slaghammer til å feste elektriske kabler.**
Den er ikke konstruert for montering av elektriske kabler, og kan skade isolasjonen på elektriske kabler, noe som kan forårsake elektrisk støt eller brannfare.
- Bruk hørselsvern**
Støyeksponeringen kan føre til tap av hørsel.
- Bruk ekstra håndtak hvis de(t) følger med verktøyet.**
Mister du kontrollen kan det føre til personskade.
- Hold elektroverktøyet på de isolerte gripeflatene når du utfører en operasjon hvor festene kan komme i kontakt med skjult kabling.**
Fester som kommer i kontakt med strømførende ledninger kan gjøre eksponerte metalldeleer på elektroverktøyet strømførende, noe som kan gi operatøren elektrisk støt.

FLERE SIKKERHETSADVARSLER

- Sørg for å holde fast verktøyet under bruk.**
Hvis du ikke gjør det, kan det oppstå ulykker eller skader. (Fig. 12)
- Sikker bruk er riktig bruk.**
Dette verktøyet er beregnet på å slå spiker i tre og lignende materiale. Bruk det kun til det formålet det er beregnet på.
- Vær forsiktig med gnister og eksplosjoner.**
Siden det kan fly gnister når man spikrer, er det farlig å bruke dette verktøyet nær lakk, maling, rensbensin, tynner, bensin, gass, lim og lignende brannfarlige stoffer, da de kan antennes og eksplodere. Ikke under noen omstendighet bør dette verktøyet derfor brukes in nærheten av slike brannfarlige materialer.
- Beskytt alltid øynene (vernebriller).**



Når du bruker verktøyet skal du alltid ha på deg øyebeskyttelse og sørge for at alle personer som oppholder seg i nærheten også har på seg øyebeskyttelse. Fragmenter av spiker som ikke treffer som de skal kan fås i øynene og skade synet. Ha derfor alltid på deg vernebriller når du bruker dette verktøyet. Vernebriller kan kjøpes i enhver jernvarehandel. Bruk enten vernebriller eller en bred verneskjerm over vanlige briller. Arbeidsgivere må alltid håndheve bruken av øyevernutstyr.

5. **Beskytt ører og hode.**
Når du driver med spikring bør du ha på deg øreklokker og hjelm. Dessuten skal du, avhengig av forholdene, sørge for at personer i nærheten også har på seg øreklokker og hjelm.

Norsk

6. Hold øye med dem som arbeider i nærheten.

Det kan være meget farlig hvis spiker som ikke slås skikkelig inn skulle treffe andre mennesker. Derfor må du alltid være oppmerksom på sikkerheten til mennesker som arbeider i nærheten når du bruker dette verktøyet. Du må alltid sørge for at ingen har kroppen, hender eller føtter i nærheten av spikerutgangen.

7. Pek aldri spikeråpningen mot deg selv eller andre personer.



Du må alltid gå ut fra at verktøyet inneholder festeelementer, slik som spiker, ol.

Hvis spikeråpningen peker mot deg selv eller andre personer, kan dette føre til alvorlige personskader hvis du ved et uhell trykker på avtrekkeren. Når du kobler til og fra batteriet under innsetting av spiker eller lignende handlinger, kontroller at spikerutløpet ikke peker mot noen (inkludert deg selv). Selv når spikerpistolen ikke inneholder spiker, vil det være farlig å fyre av verktøyet hvis det er rettet mot deg selv eller andre. Gjør derfor aldri dette! Spikerpistolen er ikke et leketøy. Vis respekt og bruk verktøyet kun som et arbeidsutstyr.

8. Kontroller stangen før bruk.

Pass på at stangen fungerer som den skal. Bruk aldri Slaghammer med mindre støtstangen fungerer som den skal, ellers kan Slaghammer uventet avfyre en spiker. Ikke tukle med eller fjern støtstangen, ellers blir stangen ubrukelig.

9. Bruk kun spesifiserte spiker.

Bruk aldri spiker som ikke er spesifisert og beskrevet i disse instruksene.

10. Vær forsiktig når du kobler til slangen.

For å unngå at verktøyet går av ved et uhell, sørg for følgende når du kobler til slangen og lader spiker.

- Ikke berør avtrekkeren.
- Ikke la avfyringshodet komme i kontakt med en overflate.
- Hold avfyringshodet pekende nedover.

Instruksene ovenfor må strengt overholdes og du må alltid sørge for at ingen kroppsdeler, hender eller ben noen gang er foran spikerutgangen.

11. Ikke ha fingeren på avtrekkeren når det ikke er nødvendig.

Ikke ha fingeren på avtrekkeren bortsett fra når du faktisk spikrer. Hvis du bærer dette verktøyet eller gir det til noen mens du har fingeren på avtrekkeren, kan du komme til å fyre av en spiker ved et uhell og forårsake en ulykke.

12. Trykk spikerutgangen bestemt mot materialet som skal spikres.

Når du slår inn spiker skal du trykke spikerutgangen bestemt mot materialet som skal spikres. Hvis utgangen ikke brukes på forsvarlig måte, kan spikrene slå tilbake.

13. Hold hender og føtter bort fra avfyringshodet under bruk.



Det er meget farlig for spiker å treffe hender eller føtter ved et uhell.

14. Vær oppmerksom på verktøyets rekyl.

Ikke ha hodet e.l. nær toppen av verktøyet under bruk. Dette er farlig fordi verktøyet kan slå kraftig tilbake hvis spikeren som slås kommer i kontakt med en spiker som er slått inn tidligere eller en kvist i treverket.

15. Vær forsiktig når du spikrer tynne plater eller hjørner.

Når du spikrer tynne plater kan spikrene gå rett i gjennom. Dette kan også skje når du spikrer sammen hjørner på grunn av avdrift på spikrene. I slike tilfeller må du sørge for at det ikke finnes seg noen (og ingens hender eller føtter, osv.) bak den tynne platen eller ved siden av treverket som du skal spikre.

16. Å spikre på begge sider av samme vegg samtidig er farlig.

Det må ikke under noen omstendighet spikres på begge sider av en vegg samtidig. Dette kan være veldig farlig siden spikrene kan gå rett gjennom veggen og forårsake skader.

17. Ikke bruk verktøyet på stilaser og stiger.

Verktøyet må ikke brukes i gitte situasjoner, som for eksempel:

- når skifting fra en spikringsplass til en annen involverer bruk av stilaser, trapper, stiger eller stigelignende konstruksjoner, f.eks. taklekker,
- ved lukking av bokser eller kasser,
- ved feste av transportsikkerhetssystemer på f.eks. kjøretøyer og vogner.

18. Fjern alle resterende spiker og batteri fra Slaghammer når:

- 1) du utfører vedlikehold og inspeksjon;
- 2) du sjekker at stang og utløser virker;
- 3) du fjerner fastkjørte spiker;
- 4) du ikke bruker verktøyet;
- 5) du forlater arbeidsområdet;
- 6) du flytter den til et annet sted; og
- 7) du gir den til en annen person.

Forsøk aldri å fjerne en fastkilt spiker eller å reparere Slaghammer, med mindre du har fjernet batteriet og alle resterende spikre fra Slaghammer.

Slaghammer må aldri etterlates uten tilsyn, da personer som ikke er kjent med Slaghammer kan håndtere den og skade seg selv.

19. Ikke bruk bensin eller andre brennbare væsker ved rengjøring av verktøyet.

Hvis damp fra en brennbar væske kommer inn i verktøyet, er det fare for at gnister som lages ved stifting etc. kan forårsake en eksplosjon.

20. Driftsmiljøet for denne maskinen skal være mellom 0°C og 40°C, så sørg for at den kun brukes i dette temperaturområdet. Maskinen kan slutte å fungere under 0°C eller over 40°C.

21. La ALDRI magneter (eller lignende magnetiske gjenstander) ligge ved siden av Slaghammer, da Slaghammer har en innvendig magnet.

Hvis du gjør dette så kan det føre til skade eller fare for personskade som følge av funksjonsfeil.

22. La enheten hvile etter kontinuerlig bruk.

23. Elektroverktøyet er utstyrt med en temperaturbeskyttelseskrets for å beskytte motoren. Kontinuerlig arbeid kan føre til at temperaturen i enheten stiger og aktiverer temperaturbeskyttelsenheten og stopper driften automatisk. Hvis dette skjer, må du la elektroverktøyet kjøles ned før du fortsetter bruk.

24. Dette produktet kan slutte å fungere når noe unormalt registreres.

25. Ikke se direkte inn i lyset. Slike handlinger kan føre til øyeskade.

Tørk vekk evt. skitt og smuss festet til linsen på LED-lyset med en myk klut, pass på å ikke skrape opp linsen. Riper på linsen på LED-lyset kan føre til redusert lysstyrke.

FORHOLDSREGLER FOR BATTERI OG LADER

1. Lad alltid batteriet ved en omgivelsestemperatur på 0–40°C.

Temperaturer under 0°C vil føre til overlading, som er farlig. Batteriet kan ikke lades ved en temperatur høyere enn 40°C.

Den mest passende temperaturen for lading er 20–25°C.

2. **Ikke bruk laderen kontinuerlig.**
Når en lading er fullført, la laderen hvile i ca. 15 minutter før neste batteri lades.
3. **Ikke la fremmedlegemer komme inn i åpningen for tilkopling av oppladbart batteri.**
4. **Ikke demonter det oppladbare batteriet eller laderen.**
5. **Aldri kortslutt det oppladbare batteriet.**
Kortslutning av batteriet vil medføre et kraftig elektrisk støt og overoppheting. Det vil føre til brannskader eller at batteriet skades.
6. **Ikke kast batteriet på et bål.**
Hvis batteriet er brent, kan det eksplodere.
7. **Laderen kan skades dersom det brukes et ødelagt batteri.**
8. **Ta med batteriet til butikken der det ble kjøpt så snart batteriets levetid etter oppladning er for kort til praktisk bruk.**
Ikke kast et utladet batteri.
9. **Ikke plasser gjenstander i laderens ventilasjonsåpninger.**
Dersom metallgjenstander eller brennbare gjenstander føres inn i laderens ventilasjonsåpninger kan det føre til elektriske støt eller at laderen blir ødelagt.

ADVARSEL ANGÅENDE LITHIUM-ION BATTERI

For å øke levetiden er litium-ion batteriet utstyrt med en beskyttelsesfunksjon som stanser utgangseffekten. I tilfelle 1 og 3, beskrevet nedenfor, når du bruker dette produktet, selv om du trykker på knappen, kan motoren stoppe. Dette er ikke problemet, men resultatet av beskyttelsesfunksjonen.

1. Når gjenværende batterieffekt løper ut, stanser motoren. Skjer dette må du lade opp batteriet med det samme.
2. Dersom verktøyet er overbelastet, kan motoren stanse. I dette tilfellet, skal du slippe bryteren på verktøyet og eliminere årsaken til overbelastning. Etter dette, kan du bruke det igjen.
3. Hvis batteriet blir overopphetet når elektroverktøyet blir overbelastet, kan batteristrømmen bli brutt. I dette tilfellet må du stanse bruken av batteriet og la det bli avkjølt. Etter dette, kan du bruke det igjen.

Videre, vennligst ta hensyn til følgende forholdsregler og advarsler.

ADVARSEL

For å forhindre lekkasje fra batteriet, varmeutvikling, røykutvikling, eksplosjoner eller antenning, sørg for å følge disse forholdsreglene.

1. Sørg for at spon og støv ikke samler seg på batteriet.
- Sørg for at spon og støv ikke faller på batteriet under arbeidet.
- Sørg for at spon og støv som faller på elektroverktøyet ikke samler seg på batteriet.
- Ikke lagre et ubrukt batteri på et sted der det utsettes for spon eller støv.
- Før du lagrer et batteri, fjern all spon og støv som kan feste seg på batteriet. Ikke lagre det sammen med metalldele (skruer, spiker, og lignende).
2. Ikke stikk batteriet med en skarp gjenstand som en spiker, slå på det med en hammer, trå på, kast eller utsett batteriet for kraftige fysiske støt.
3. Ikke bruk et tydelig ødelagt eller deformert batteri.
4. Ikke bruk batteriet med feilkoplet polaritet.
5. Ikke koble direkte til et elektrisk uttak eller bilens sigarettenner.
6. Ikke bruk batteriet til et annet formål enn de som er spesifisert.
7. Hvis batteriladingen blir mislykket selv når den angitte ladetiden har gått, må du øyeblikkelig stanse ytterligere lading.

8. Ikke plasser eller utsett batteriet for høye temperaturer eller høyt trykk som i en mikrobølgeovn, tørker eller i en beholder under høyt trykk.
9. Holdes unna flammer umiddelbart når ekkel lukt eller lekkasje oppdages.
10. Ikke bruk på steder der sterk statisk elektrisetsutladning genereres.
11. Hvis det oppstår batterilekkasje, ekkel lukt, varme genereres eller dersom batteriet blir misfarget, deformert eller på noen måte virker unormalt under bruk, gjenopplading eller lagring, må du fjerne det fra elektroverktøyet eller batteriladeren, og stans bruken.
12. Ikke senk batteriet ned i væsker eller la noen væsker flyte inn i batteriet. Ledende væskeinntrengning, som for eksempel vann, kan forårsake skade som medfører brann eller eksplosjon. Oppbevar batteriet på et kjølig, tørt sted, unna brennbare og brannfarlige gjenstander. Omgivelsesmed etsende gass må unngås.

FORSIKTIG

1. Hvis det lekker væske fra batteriet og denne kommer i kontakt med øynene, ikke gni øynene men vask dem godt med friskt og rent vann, som for eksempel vann fra springen, og ta kontakt med en lege øyeblikkelig.
Hvis dette ikke gjøres kan væsken føre til synsproblemer.
2. Hvis bruker får væske fra batteriet på hud eller klær, vask ordentlig med rent vann, for eksempel vann fra springen, øyeblikkelig.
Væsken kan forårsake irritasjon på huden.
3. Hvis du finner rust, ekkel lukt, overoppheting, misfarging, deformering, og/eller andre uregelmessigheter når du bruker batteriet for første gang, må du ikke bruke det, men returnere det til din forhandler eller leverandør.

ADVARSEL

Hvis et elektrisk ledende objekt kommer i kontakt med batteripolene til litium-ion batteriet, kan dette resultere i kortslutning og brannfare. Ved lagring av litium-ion batteriet, følg nøye reglene for følgende innhold.

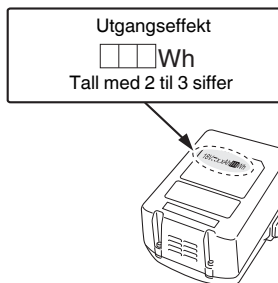
- Ikke plasser elektrisk ledende objekter som spiker eller metalltråder av jern eller kopper i oppbevaringskassen.
- For å unngå at kortslutning inntreffer, legg batteriet i verktøyet eller monter batteridekslet for lagring slik at ventilatoren ikke er synlig (Fig. 2).

OM TRANSPORT AV LITHIUMIONBATTERIET

Når du transporterer et litiumionbatteri, må du følge følgende forholdsregler.

ADVARSEL

- Varsle transportelskapet om at pakken inneholder et litiumionbatter, informer selskapet om utgangseffekten og følg instruksjonene til transportelskapet når du bestiller transport.
- Litiumionbatterier med en effekt større enn 100 Wh ansees som fraktklasse farlige varer og krever spesielle behandlingsprosedyrer.
 - For transport utenlands må du følge internasjonalt lovverk og de regler og forskrifter som gjelder i bestemmelseslandet.
















NAVN PÅ DELER (Fig. 1 – Fig. 12)

①	Avfyringshode (munning)
②	Støtstang
③	LED-lys
④	Avtrekker
⑤	Krok
⑥	Batteri
⑦	Klinke
⑧	Batterideksel
⑨	Terminaler
⑩	Ventilasjonshull
⑪	Lader
⑫	Spikerhode
⑬	Spikerskaft
⑭	Spikerspiss
⑮	Magnet
⑯	Magnetisert område
⑰	Spiker
⑱	Driverenhet
⑲	Metallfeste
⑳	Hull
㉑	Skrue
㉒	Spor
㉓	Tang

SYMBOLER

ADVARSEL

Følgende symboler brukes for maskinen. Sørg for å forstå betydningen av disse symbolene før maskinen tas i bruk.

	NH18DSL: Slaghammer cordless
	For å minske faren for skade, må brukeren lese instruksjonsboken.
	Operatører og andre i arbeidsområdet må bruke vernebriller med sideskjermer.
	Ikke rett verktøyet mot deg selv eller andre i arbeidsområdet.
	Koble fra batteriet
	Må ikke brukes på stillaser, stiger.
	Kun for EU-land Kasser aldri elektroverktøy sammen med husholdningsavfallet! I overholdelse av EU-direktiv 2012/19/EU om kassering av elektrisk og elektronisk utstyr og dets implementeringsrekkefølge i samsvar med nasjonale lover, må elektroverktøy som har nådd slutten av sin levetid samles inn separat og returneres til et miljøvennlig kompatibelt gjenvinningsanlegg.
	Likestrøm
	Vekt (I henhold til EPTA-prosedyren 01/2014)
	Slå PÅ
	Slå AV
	Advarsel
	Utilrådelig betjeningsmåte

SPESIFIKASJONER

1. Slaghammer cordless

Modell	NH18DSL
Spenning	18 V
Antall slag	4000 min ⁻¹
Passende spiker	Ø1,7 – 4,1 mm (Se Tabell 1)*1
Passende spikerlengde	25 mm til 90 mm*1
Vekt*2	1,3 – 1,9 kg
Ytre mål Høyde x lengde	135 mm x 285 mm (BSL1815)

*1: Motsatt tre: SPF, seder

Kan kanskje ikke slå en spiker helt inn i harde materialer hemlokkgran, MDF eller laminert tømmer.

*2: Vekt: I henhold til EPTA-prosedyren 01/2014. Avhengig av vedlagt batteri. Den tyngste vekten måles med BSL36B18 (selges separat).

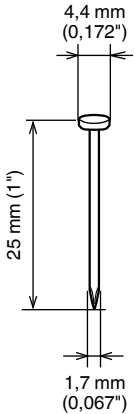

MERK

På grunn av HiKOKIs kontinuerlige forskningsog utviklingsprogram kan spesifikasjonene i dette dokumentet endres uten forvarsel.

VALG AV SPIKER

Bruk spikre i følgende størrelser for denne Slaghammer.

Tabell 1

Min.	Maks.
 <p>4,4 mm (0,172")</p> <p>25 mm (1")</p> <p>1,7 mm (0,067")</p>	 <p>8,7 mm (0,344")</p> <p>90 mm (3-1/2")</p> <p>4,1 mm (0,162")</p>

ADVARSEL

- Ikke bruk spikre i andre størrelser. De kan skade støtstangen eller skytes ut på skrå.
- Vær oppmerksom på spikerhodestørrelser. Størrelsen på spikerhoder kan variere mellom store og små, med kommersielt tilgjengelige spikre i stort volum.
- Ikke bruk herdede spikre.

MERK

- Kan kanskje ikke slå en spiker helt inn i harde materialer hemlockgran, MDF eller laminert tømmer.

Norsk

STANDARD TILBEHØR

ADVARSEL

- Annet tilbehør enn det som er vist nedenfor, kan føre til feil og skader.

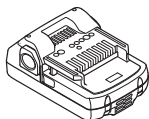
- ① Vernebriller..... 1



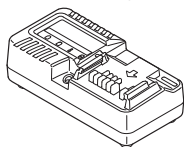
MERK: Tilbehør kan endres uten forpliktelser fra HiKOKI.

VALGFRITT TILBEHØR (SOLGT SEPARAT)

1. Batteri
○ BSL1815



2. Lader
○ UC18YKSL (Ladespenning: 14,4 V – 18 V)



Valgfritt tilbehør kan endres uten at det har noen effekt.

ANVENDELSE

- Trematerialer i generelle konstruksjoner, beslag, terrasser, rammer og renoveringer

LADING

Batteriet og batteriladeren følger ikke med dette produktet. Når det gjelder oppladbare batterier, må du lade dem opp i henhold til bruksanvisningen for den laderen du bruker. (Fig. 5)

MONTERING OG BRUK

Handling	Figur	Side
Sette inn og ta ut batteriet	3	2
Bryterbruk	4	2
Lading	5	3
Kontrollere støtstangoperasjoner*1	6	3
Skyting ved å holde en spiker med magneten*2	7	3
Skyting ved å holde en spiker med fingrene.*3	8	3
Sette en spiker fast mot metallfestet*4	9	4
Bruke kroken*5	10	4
Fjerne fastkilt spiker	11	4
Valg av tilbehør	—	199

*1 ADVARSEL

- Kontroller at stangen glir lett når den brukes. Rengjør glideområdet på stangen hvis den ikke glir lett.

*2 ADVARSEL

- Ved innsetting av en spiker i støtstangen, hold i spikerskaftet i stedet for spissen.
- Når du setter en spiker inn i stangen, må du sørge for at den ikke trykker på spissen på drivenheten.
- Når du setter en spiker inn i stangen, må du ikke plassere fingrene eller hendene under spikerspissen.

*3 ADVARSEL

- Når du skyter en spiker mens du holder den med fingrene, plasserer du spikerspissen på målet først, og setter deretter stangen på spikerhodet.

*4 ADVARSEL

- Når du skyter en spiker, må du sørge for at spissen av spikeren er i hullet på metallfestet.

*5 FORSIKTIG

- Når du bruker kroken, må du henge verktøyet sikkert opp, slik at det ikke faller ned ved et uhell. Hvis verktøyet faller ned, kan det føre til en ulykke.
- Pass på at batteriet fjernes når du bruker kroken.
- Sett kroken godt på plass. Med mindre kroken er ordentlig installert, kan den forårsake skade under bruk.

FORSIKTIG

Når du skyter ut spiker, skal du bare bruke apparatet i korte omganger, ikke kontinuerlig. Ellers kan det føre til feil eller fettlekasje.

VEDLIKEHOLD OG INSPEKSJON

FORSIKTIG

Pass på at du fjerner batteriet fra Slaghammer før vedlikehold og inspeksjon.

ADVARSEL

- Koble fra batteriet og fjern spiker fra Slaghammer når:
 - 1) du utfører vedlikehold og inspeksjon; og
 - 2) fjerner en fastkilt spiker.
- Uten å koble til batteriet, må du kontrollere om stangen beveger seg jevnt ved å trykke stangspissen mot et materiale som f.eks. tre.

1. Fjerne fastkilling (Fig. 11)

- ① Fjern batteriet fra Slaghammer.
- ② Fjern den fastkilt spikeren med en tang.
- ③ Ved hyppig fastkilling, kontakt et HiKOKI autorisert servicesenter.

2. Kontroll av støtstang (Fig. 6)

Rengjør og smør glidestykket på stangen og hylsteret regelmessig.

Sjekk om stangen beveger seg jevnt ved å trykke Slaghammer mot et materiale som f.eks. tre.

Hvis jernpulver eller lignende fester seg til det magnetiserte området i stangen, kan magnetkraften som brukes til å holde en spiker reduseres. Tørk området rent med en klut eller selvklebende tape av og til.

Fjern også jernpulveret på magneten utenpå stangen med en klut eller selvklebende tape av og til. Dette gjør stangoperasjonen jevn.

3. Inspisere monteringskruene

Gjennomfør regelmessig kontroll av alle monteringskruer og sikre at de er skikkelig strammet. Hvis noen av skruene er løse, stram dem umiddelbart. Hvis du unnlater å gjøre dette, kan det oppstå alvorlig fare.

4. Vedlikehold av motoren

Motorrotasjonen er selve "hertet" til elektroverktøyet. Vær forsiktig slik at rotasjonen ikke blir skadet og/eller våt av olje eller vann.

5. Rengjøring på utsiden

Hvis det kommer flekker på elektroverktøyet, tørker du av det med en myk, tørr klut eller en klut fuktet med såpevann. Bruk ikke kloroppløsninger, bensin eller malingstynnere da disse kan løse opp plasten.

6. Lagring

Oppbevar elektroverktøyet og batteriet på et sted der temperaturen er mindre enn 40°C og utenfor barns rekkevidde.

MERK

Lagring av litium-ion batterier.

Sørg for at litium-ion batteriene er fulladet før de skal lagres.

Oppbevaring av batteriene i lengre tid (3 måneder eller mer) med lav ladetilstand kan føre til redusert ytelse, vesentlig reduksjon av batteriets brukstid eller at batteriene ikke holder på ladingen.

Imidlertid kan en vesentlig reduksjon av batteriets brukstid gjenvinnes ved gjentatt lading og bruk av batteriene to til fem ganger.

Hvis batterienes brukstid er veldig kort til tross for gjentatt lading og bruk, må du anse batteriene som defekte, og kjøpe nye batterier.

FORSIKTIG

Sikkerhetsregler og normer som gjelder for det enkelte land, må overholdes ved drift og vedlikehold av elektroverktøy.

<p>Viktig melding om batteriene til HiKOKI batteridrevne elektroverktøy</p>
--

<p>Bruk alltid et av våre spesialproduserte batterier. Vi kan ikke garantere sikkerheten og ytelsen til våre elektroverktøy hvis de brukes sammen med andre batterier enn de som er angitt av oss, eller hvis batteriet er demontert og modifisert (slik som demontering og bytte av celler eller andre indre deler).</p>

GARANTI

Vi garanterer HiKOKI elektroverktøy i samsvar med lovfestet/landsspesifikke forskrifter. Denne garantien dekker ikke feil eller skader på grunn av misbruk, vanstell, eller normal slitasje. I tilfelle av klage, vennligst send elektroverktøyet, ikke demontert, med GARANTISERTIFIKATET som finnes på slutten av denne brukerveiledningen, til et autorisert HiKOKI-verksted.

Informasjon om luftbårne lyder eller vibrasjoner

De målte verdiene ble fastsatt i samsvar med EN62841 og ISO 4871.

Målt A-veid lyd effekt nivå: 107 dB (A)

Målt A-veid lyd trykknivå: 96 dB (A)

Usikkerhet K: 3 dB (A).

Bruk hørselvern.

Total vibrasjonsverdi (triax vektor sum) beregnet ifølge EN62841.

Vibrasjonsutslippsverdi: 15,5 m/s²

Usikkerhet K = 1,5 m/s²

Den oppgitte totale vibrasjonsverdien og den oppgitte støyutslippsverdien er målt i henhold til en standard testmetode og kan brukes til å sammenligne ett verktøy med et annet.

De kan også brukes til en foreløpig vurdering av eksponeringen.

ADVARSEL

- Vibrasjons- og støyutslippene under faktisk bruk av elektroverktøyet kan avvike fra den oppgitte totalverdien avhengig av hvordan verktøyet brukes, spesielt hvilket arbeidsstykke som behandles; og
- Identifiser sikkerhetstiltak basert på hvor utsatt brukeren vil være under de gjeldende bruksforholdene, for å beskytte brukeren (vurdert i forhold til bruken, som hvor mange ganger maskinen er slått på eller av og tomgangskjøring i tillegg til aktiv bruk).

MERK

På grunn av HiKOKIs kontinuerlige forsknings- og utviklingsprogram kan spesifikasjonene i dette dokumentet endres uten forvarsel.

YLEISET SÄHKÖTYÖKALUA KOSKEVAT TURVALLISUUSVAROITUKSET

⚠ VAROITUS

Lue kaikki tämän sähkötyökalun mukana toimitetut turvallisuusvaroitukset, ohjeet, kuvat ja tekniset tiedot. Alla olevien ohjeiden noudattamatta jättäminen voi aiheuttaa sähköiskun, tulipalon ja/tai vakavan loukkaantumisen.

Säilytä kaikki varoitukset ja ohjeet tulevaa käyttöä varten.

Varoituksissa mainittu "sähkötyökalu"-sana merkitsee verkkovirtakäyttöistä (johdollista) sähkötyökalua tai akkukäyttöistä (johdotonta) sähkötyökalua.

1) Työskentelyalueen turvallisuus

- Pidä työskentelyalue siistinä ja hyvin valaistuna.** Onnettomuuksia sattuu herkemmin epäsiistissä tai pimeässä ympäristössä.
- Älä käytä sähkötyökaluja räjähdysvaarallisissa paikoissa, kuten paikoissa, joissa on herkästi syttyviä nesteitä, kaasuja tai pölyä.** Sähkötyökaluista lähtevät kipinät voivat sytyttää pölyn tai höyryä.
- Pidä lapset ja sivulliset pois lähetyviltä, kun käytät sähkötyökalua.** Häiriötekijät voivat aiheuttaa laitteen hallinnan menetyksen.

2) Sähköturvallisuus

- Sähkötyökalun pistoke on yhdistettävä oikeanlaiseen pistorasiaan. Älä koskaan muunna pistoketta mitenkään. Älä käytä sovintipistokkeita yhdessä maadoitettujen sähkötyökalujen kanssa.** Muuntelemattomien pistokkeiden ja oikeanlaisten pistorasioiden käyttäminen vähentää sähköiskun vaaraa.
- Vältä koskettamasta maadoitettuihin pintoihin, kuten putkiin, lämpöpattereihin, liesiin ja jääkaappeihin.** Sähköiskun vaara on suurempi, jos kehosi on maadoitettu.
- Älä altista sähkötyökaluja sateelle tai kosteudelle.** Sähköiskun vaara lisääntyy, jos sähkötyökaluun pääsee vettä.
- Älä käytä johtoa väärin. Älä kannna tai vedä sähkötyökalua johdon varassa tai irrota pistoketta vetämällä johdosta.** Pidä johto erillään kuumuudesta, öljystä, terävistä kulmista tai liikkuvista osista. Sähköjohdon vahingoittuminen tai sokeutuminen lisää sähköiskun vaaraa.
- Jos käytät sähkötyökalua ulkona, käytä ulkokäyttöön sopivaa jatkojohtoa.** Ulkokäyttöön sopivan sähköjohdon käyttäminen vähentää sähköiskun vaaraa.
- Jos sähkötyökalun käyttö kosteassa paikassa on välttämätöntä, käytä vikavirtalaitteella (RCD) suojattua virtälähdettä.** RCD:n käyttö vähentää sähköiskun vaaraa.

3) Henkilökohtainen turvallisuus

- Keskity työhön, ole huolellinen ja käytä sähkötyökalua harkiten.** Älä käytä sähkötyökalua väsyneenä tai alkoholin, lääkkeiden tai huumeiden vaikutuksen alaisena. Keskittymisen herpaantuminen pieneksikin hetkeksi voi aiheuttaa vakavan henkilövahingon.

- Käytä henkilökohtaisia suojavarusteita. Käytä aina suojalaseja.** Suojavarusteiden, kuten hengityssuojaimen, liukumattomien turvakenkien, suojakypärän tai kuulosuojaimien, käyttö tarkoituksenmukaisissa olosuhteissa vähentää henkilövahinkoja.
 - Estä koneen tahaton käynnistyminen.** Varmista, että virtakytkin on pois päältä ennen virtalähteeseen ja/tai akkuun yhdistämistä sekä ennen työkalun nostamista tai kantamista. Sähkötyökalujen kantaminen, kun sormi on virtakytkimellä, tai virran kytkeminen sähkötyökaluihin, joiden virtakytkin on päällä, lisää onnettomuusriskiä.
 - Poista säätöön tarvitut avaimet tai väntimet sähkötyökalusta ennen sen käynnistämistä.** Sähkötyökalun pyöryään osaan jätetty väännin tai avain voi aiheuttaa henkilövahingon.
 - Älä kurkottele. Seiso aina vakaasti tasapainossa.** Tällöin sähkötyökalua on helpompi hallita odottamattomissa tilanteissa.
 - Käytä sopivia vaatteita. Älä käytä liian löysiä vaatteita tai koruja. Pidä hiukset ja vaatteet poissa liikkuvista osista.** Löysät vaatteet, korut ja pitkät hiukset voivat tarttua liikkuviin osiin.
 - Jos laitteeseen voi yhdistää pölynsuodatus- ja keräyssisälaitteen, varmista, että ne yhdistetään ja että niitä käytetään oikein.** Pölynkeräyksen käyttö voi vähentää pölyyn liittyviä vaaratilanteita.
 - Vaikka olisit tottunut työkalujen käyttäjä, älä sivuuta työkalun turvallisuusperiaatteita.** Huolimaton toiminta voi aiheuttaa vakavia vammoja sekunnin murto-osassa.
- 4) Sähkötyökalujen käyttäminen ja niiden hoitaminen
- Älä pakota sähkötyökalua. Käytä tarkoitukseen soveltuva sähkötyökalua.** Oikea sähkötyökalu selviytyy tehtävästä paremmin ja turvallisemmin toimiessaan oikealla teholla.
 - Älä käytä sähkötyökalua, jos se ei käynnisty tai sammuu virtakytkimestä.** Sähkötyökalut, joita ei voi hallita virtakytkimen avulla, ovat vaarallisia, ja ne on korjattava.
 - Irrota pistoke virtalähteestä ja/tai poista mahdollisesti irrotettavissa oleva akku sähkötyökalusta ennen säätöjen tekemistä, varusteiden vaihtamista tai sähkötyökalujen varastoimista.** Nämä ennakoivat turvatoimet vähentävät sähkötyökalun tahattoman käynnistymisen vaaraa.
 - Säilytä käyttämättömät sähkötyökalut lasten ulottumattomissa aialäkä anna sellaisten henkilöiden käyttää sähkötyökaluja, jotka eivät ole perehtyneet niihin tai näihin ohjeisiin.** Sähkötyökalut ovat vaarallisia kokemattomien henkilöiden käsissä.
 - Huolla sähkötyökalut ja varusteet.** Tarkista liikkuvien osien kiinnitykset ja kohdistukset, osien eheys ja muut sähkötyökalujen toimintaan vaikuttavat tekijät. Jos sähkötyökalu on vahingoittunut, korjauta se ennen käyttämistä. Puutteellisesti huolletut sähkötyökalut aiheuttavat paljon onnettomuuksia.
 - Pidä leikkuutyökalut terävinä ja puhtaina.** Oikein huolletut leikkuutyökalut, joissa on terävät leikkupinnat, tarttuvat harvemmin kiinni, ja niiden hallinta on helpompaa.
 - Käytä sähkötyökalua, varusteita ja työkalun teriä jne. näiden ohjeiden mukaisesti ja ota huomioon työskentelyolosuhteet ja tehtävä työ.** Jos sähkötyökalua käytetään toimintoihin, joihin sitä ei ole tarkoitettu, voi syntyä vaaratilanteita.

- h) Pidä kahvat ja tarttumapinnat kuivina ja puhtaina öljystä ja rasvasta.
Liukkaat kahvat ja tarttumispinnat eivät mahdollista työkalun turvallista käsittelyä ja hallintaa odottamattomissa tilanteissa.
- 5) **Akkukäyttöisen työkalun käyttö ja huolto**
- a) **Lataa vain valmistajan määrittelemällä laturilla.**
Tietynyttyypiselle akulle sopiva laturi voi aiheuttaa tulipalovaaran, jos sitä käytetään toisenlaisen akun kanssa.
- b) **Käytä sähkötyökaluja vain erityisesti niille tarkoitettujen akkujen kanssa.**
Minkä tahansa muiden akkujen käyttö voi synnyttää loukkaantumis- ja tulipalovaaran.
- c) **Kun akku ei ole käytössä, pidä se poissa muiden metalliesineiden, kuten paperiniiliten, kolikoiden, avainten, naulojen, ruuvien, tai muiden sellaisten pienten metalliesineiden läheisyydestä, jotka voivat kytkeä akun navat toisiinsa.**
Akkunapojen yhdistäminen oikosulkuun voi aiheuttaa palovammoja tai tulipalon.
- d) **Jos akkua käytetään väärin, siitä voi vuotaa nestettä; vältä nesteen koskettamista. Jos kosketat nestettä vahingossa, huuhtelee vedellä. Jos neste koskettaa silmiä, hae lisäksi lääkärin apua.**
Akusta vuotanut neste voi aiheuttaa ärtymistä tai palovammoja.
- e) **Älä käytä akkua tai työkalua, joka on vaurioitunut tai jota on muunneltu.**
Vaurioituneet tai muunnellut akut voivat toimia ennalta-arvaamattomasti ja aiheuttaa tulipalon, räjähdysten tai loukkaantumisvaaran.
- f) **Suojaa akku tai työkalu tullelta tai liian korkeilta lämpötiloilta.**
Altistuminen tullelta tai yli 130°C:een lämpötilalle voi aiheuttaa räjähdyksen.
- g) **Noudata kaikkia latausohjeita äläkä lataa akkua tai työkalua ohjeiden mukaisen lämpötilaluonon ulkopuolella.**
Lataaminen väärin tai ilmoitetun alueen ulkopuolella olevissa lämpötiloissa voi vahingoittaa akkua ja lisätä tulipalon riskiä.
- 6) **Huolto**
- a) **Anna sähkötyökalu huollettavaksi valtuutetulle teknikolle, joka käyttää alkuperäisiä osia vastaavia varaosia.**
Tämä pitää sähkötyökalun turvallisena.
- b) **Älä yritä korjata vaurioituneita akkuja.**
Akkujen huollon saa suorittaa vain valmistaja tai valtuutetut palveluntarjoajat.

TURVATOIMET

Pidä lapset ja mielentilaltaan epävakait henkilöt poissa laitteen lähetyiltä.
Kun työkalua ei käytetä, se on säilytettävä poissa lasten ja mielentilaltaan epävakaiden henkilöiden ulottuvilta.

NYRKKINAULAIN/LYÖNTIVASARA CORDLESS LIITTYVÄT VAROITUKSET

- Oleta aina, että työkalun sisällä on nauloja.**
Jos Nyrkkinaulain/Lyöntivasara käsitellään huolimattomasti, se voi alkaa yllättäen ampua nauloja ja aiheuttaa henkilövahinkoja.
- Älä kohdistaa työkalua itseäsi tai lähistöllä olevaa henkilöä päin.**
Liipaisimen odottamaton painaminen laukaisee naulan, mikä voi aiheuttaa henkilövahingon.

- Käynnistä työkalu vain, kun se on tiiviisti kiinni työkappaleessa.**
Jos työkalu ei ole kiinni työkappaleessa, naula voi poiketa halutusta suunnasta.
- Kytke työkalu irti virtalähteestä naulatukoksen syntyessä.**
Jos Nyrkkinaulain/Lyöntivasara saa virtaa, se voi vahingossa laeta tukosta poistettaessa.
- Älä käytä Nyrkkinaulain/Lyöntivasara sähköjohtojen kiinnittämiseen.**
Laitetta ei ole suunniteltu sähköjohtojen asentamiseen, ja se voi vahingoittaa sähköjohtojen eristeitä ja aiheuttaa näin sähköiskun tai tulipalovaaran.
- Käytä kuulosuojaimia**
Melulle altistuminen voi heikentää kuuloa.
- Käytä lisäkahvaa (tai -kahvoja), jos se toimitettiin työkalun mukana.**
Hallinnan menettäminen voi aiheuttaa henkilövahinkoja.
- Pitele sähkötyökalua sen eristetyistä tarttumapinnoista, kun teet työtä kohteessa, jossa kiinnike voi osua piilossa olevaan sähköjohtoon.**
Jännitteeseen johtoon osuessaan kiinnikkeet voivat tehdä sähkötyökalun eristämättömistä metalliosista jännitteisiä, jolloin käyttäjä voi saada sähköiskun.

LISÄÄ TURVALLISUUTTA KOSKEVIA VAROITUKSIA

- Pidä työkalusta tukevasti kiinni käytön aikana.**
Muuten seurauksena voi olla onnettomuus tai loukkaantuminen (Kuva 12)
- Oikea käyttö takaa turvallisuuden.**
Tämä työkalu on suunniteltu naulojen kiinnittämiseen puuhun tai samanlaiseen materiaaliin. Käytä työkalua vain sille suunnitellulla tavalla.
- Varo palamaan syttymistä ja räjähdystä.**
Naulauksen aikana saattaa syntyä kipinöitä, joten on vaarallista käyttää työkalua lakan, maalin, bensiinin, tinnerin, polttoaineen, kaasun, liiman tai muiden helposti syttyvien tai räjähtävien aineiden läheisyydessä. Tätä työkalua ei siis missään olosuhteissa saa käyttää tällaisten aineiden läheisyydessä.
- Käytä aina silmäsuojaa (suojalaseja).**
Kun käytät työkalua, käytä aina silmäsuojaa ja varmista, että lähellä olevat henkilöt käyttävät sitä myös.
Epäonnistuneesti isketyistä nauloista saattaa lentää siruja, jotka silmään osuessaan voivat aiheuttaa näkövammoja.
Suojalaseja saa tavallisesta rautakaupasta. Käytä aina suojalaseja tätä työkalua käyttäessäsi. Käytä joko suojalaseja tai suojavisiiriä tavallisten silmälasien päällä. Työnantajan olisi ehdottomasti säädettävä silmäsuojan käyttö pakolliseksi.



- Suojaa korvasi ja pääsi.**
Käytä nauloja kiinnittäessäsi korva- ja pääsuojaa. Tilanteesta riippuen on varmistettava, että myös ympärillä olevat henkilöt käyttävät niitä.
- Ota huomioon lähistöllä työskentelevät.**
On erittäin vaarallista, jos virheellisesti kiinnitetty naulat siskoilevat ja osuvat lähistöllä oleviin. Ota siis huomioon lähistöllä työskentelevien turvallisuus, kun käytät tätä työkalua. Varmista, että naulan poistoaukon läheisyydessä ole ketään.

7. Älä koskaan osoita naulan ulostuloaukkoa ketään kohti.



Käsittele työkalua aina niin kuin siinä olisi ladattuna kiinnikkeitä.

Jos naulan ulostuloaukko osoittaa jotakuta kohti ja työkalu laukeaa vahingossa, seurauksena saattaa olla vakavia vammoja. Akun kytkemisen tai irrottamisen, naulojen lisäämisen tai vastaavien toimenpiteiden aikana on varmistettava, että naula-aukko ei osoita henkilöitä (mukaan lukien itseäsi) kohti. Vaikka työkalussa ei olisi nauloja, on vaarallista laukaista se naulan ulostuloaukon osoittaessa jotakuta kohti. Älä siis koskaan tee näin. Työkalu ei ole leikkikalu! Käytä työkalua aina asiallisesti.

8. Tarkista tanko ennen käyttöä.

Varmista, että tanko toimii oikein. Älä koskaan käytä Nyrkkinaulain/Lyöntivasara, jos tanko ei toimi oikein. Muussa tapauksessa laite voi laukaista naulan odottamatta. Älä peukaloi tai poista tankoa. Muussa tapauksessa se ei toimi.

9. Käytä aina vain teknisissä tiedoissa mainittuja nauloja.

Älä koskaan käytä muita kuin teknisissä tiedoissa ja näissä käyttöohjeissa mainittuja nauloja.

10. Ole varovainen, kun liität letkun.

Kun liität letkun ja lataat nauloja, varmista seuraavat seikat, jotta työkalu ei käynnisty vahingossa.

- Älä kosketa laukaisinta.
- Älä anna laukaisupäätä koskettaa mitään pintaa.
- Älä laukaisupäätä suunnattuna alas.

Noudata ohjeita tarkkaan ja varmista, että naulojen poistoaukon edessä ei ole ketään.

11. Älä pidä sormeasi laukaisimella.

Pane sormesi laukaisimelle vain silloin, kun aiot kiinnittää nauloja. Jos kannat työkalua tai annat sen jollekulle sormesi ollessa laukaisimella, saatat vahingossa käynnistää naulauksen ja aiheuttaa onnettomuuden.

12. Paina naula-aukkoa lujasti naulattavaan materiaaliin.

Kun naulaat, paina naula-aukkoa lujasti naulattavaan materiaaliin. Jos naula-aukkoa ei pidetä oikein, naulat eivät kiinnity kunnolla.

13. Pidä jalat ja kädet poissa laukaisupästä.

On erittäin vaarallista, jos naula osuu käteen tai jalkaan.



14. Varo työkalun takaisinpotkuja.

Älä vie päätäsi tms. vartalon osaa työkalun pään lähelle sen käytön aikana. Tämä on vaarallista, sillä työkalu saattaa sinkoilla voimakkaasti, jos kiinnitettävä naula osuu naulauksen aikana toiseen naulaan tai muuhun kovaan kohtaan.

15. Ole varovainen poratessasi ohutta levyä tai puumateriaalin nurkkia.

Kun naulaat ohutta levyä, naulat saattavat mennä läpi. Näin voi käydä myös naulattaessa puulevyn nurkkia, jos naulat menevät vinoon. Varmista tällaisissa tapauksissa, että ohuen levyn takana tai naulattavan puulevyn vieressä ei ole ketään (eikä kenenkään käsiä tai jalkoja jne.).

16. Yhtäaikainen naulaus saman seinän kummaltakin puolelta on erittäin vaarallista.

Seinän kummaltakin puolelta ei missään tapauksessa saa naukata samanaikaisesti. Se on erittäin vaarallista, koska naula saattaa tulla läpi ja aiheuttaa onnettomuuden.

17. Älä käytä työkalua rakennustelineillä ja portailla.

Työkalua ei saa käyttää esim. seuraavissa tapauksissa:
– kun porauspaikan muuttaminen paikasta toiseen vaatii tikapuiden, portaiden, telineiden tms. käyttöä esim. katolla työskennellessä.

– laatikkojen sulkemiseen

– kuljetuksen turvajärjestelmien kiinnittämiseen esim. ajoneuvoihin.

18. Poista Nyrkkinaulain/Lyöntivasara kaikki jäljellä olevat naulat ja irrota sen akku, kun:

- 1) huolto- tai tarkastustoimenpiteiden yhteydessä
- 2) tarkastat, että tanko ja liipaisin toimivat asianmukaisesti
- 3) tukoksen selvittämisen yhteydessä
- 4) kun laitetta ei käytetä
- 5) poistuttaessa työskentelyalueelta
- 6) siirrettäessä laitetta paikasta toiseen ja
- 7) ojennettaessa se toiselle henkilölle.

Älä koskaan yritä poistaa Nyrkkinaulain/Lyöntivasara tukosta tai korjata naulainta ennen kuin sen akku on irrotettu ja kaikki jäljellä olevat naulat poistettu.

Nyrkkinaulain/Lyöntivasara ei koskaan saa jättää vartioimatta. Muussa tapauksessa henkilöt, jotka eivät tunne laitetta, voivat sitä käsitellessään vahingoittaa itseään.

19. Älä puhdista sähkötyökalua bensiinillä tai muilla helposti syttyvillä nesteillä.

Jos helposti syttyvän nesteen höyryä pääsee sähkötyökalun sisään, on olemassa vaara, että esimerkiksi niitattessa syntyvät kipinät aiheuttavat räjähdyksen.

20. Tämän työkalun käyttöympäristön lämpötilan on oltava välillä 0 - 40 °C. Varmista aina, että työkalua käytetään vain näiden lämpötilarajojen sisällä. Työkalu ei välttämättä toimi alle 0 tai yli 40 °C:n lämpötilassa.

21. Pidä Nyrkkinaulain/Lyöntivasara ETÄÄLLÄ magneeteista (tai samankaltaisista magneettisista laitteista), sillä Nyrkkinaulain/Lyöntivasara sisällä on magneetti.

Muussa tapauksessa laitteen toiminta voi häiriintyä, jolloin on olemassa loukkaantumisen vaara.

22. Laitteen lepuuttaminen pitkään jatkuneen työn jälkeen.

23. Sähkötyökalu on varustettu lämpötilasuojapiirillä moottorin suojaamiseksi. Jatkuva käyttö saattaa aiheuttaa yksikön lämpötilan nousun aktivoiden lämpötilasuojapiiriin ja pysäyttämään yksikön toiminnan automaattisesti. Jos näin käy, anna sähkötyökalun jäähtyä ennen käytön jatkamista.

24. Laite voi vikaantua lakahtaessa lakata toimimasta.

25. Älä katso suoraan valoon. Muussa tapauksessa silmät voivat vahingoittua.

Pyyhi LED-valaisimen linssiin tarttunut lika tai noki pehmeällä liinalla varoen naarmuttamasta linssiä.

Naarmuuntunut LED-valon linssi voi heikentää valon kirkkautta.

AKKUUN JA LATURIIN LIITTYVÄT VAROITIMET

1. Lataa akku aina ympäristössä, jonka lämpötila on 0–40 °C.

Alle 0 °C:n lämpötila aiheuttaa vaarallisen yli latautumisen. Akkua ei voi ladata, jos ympäristön lämpötila on yli 40 °C. Sopivin latauslämpötila on 20–25 °C.

2. Älä käytä laturia jatkuvasti.

Kun yhden akun lataus on valmis, anna laturin olla käyttämättä noin 15 minuuttia ennen seuraavan akun latausta.

3. Huolehdi, ettei akku kytkentäaukkoon pääse likaa.

4. Älä koskaan pura akkua tai laturia.

5. Älä koskaan aiheuta akkuun oikosulkua.

Akun oikosulun aiheuttama voimakkaan sähkövirran ja ylikuumentumisen. Se aiheuttaa palovammoja tai akun vahingoittumisen.

6. Älä hävitä akkua polttamalla.

Jos akku poltetaan, se saattaa räjähtää.

7. Kuluneen akun käyttö vahingoittaa laturia.**8. Kun akun käyttöaika latauksen jälkeen käy liian lyhyeksi käytännölliseen työskentelyyn, vie akku takaisin ostopaikkaan.**

Älä hävitä kulunutta akkua.

9. Älä työnnä laturin tuuletusrakoihin mitään.

Jos laturin tuuletusrakoihin työnnetään metalliesineitä tai jotakin tulenarkaa, on seurauksena sähköiskun vaara tai laturin vahingoittuminen.

12. Älä upota akkua tai anna nestemäisten aineiden päästä akun sisään. Jos akun sisään pääsee sähköä johtavaa nestettä, kuten vettä, se voi vahingoittaa akkua ja aiheuttaa tulipalon tai räjähdyksen. Säilytä akku viileässä ja kuivassa paikassa kaukana helposti syttyvistä materiaaleista. Paikkoja, joiden ilmassa on syövyttäviä kaasuja, on vältettävä.

HUOMAUTUS

1. Jos akusta vuotavaa nestettä joutuu silmiin, älä hankaa silmiä, vaan pese ne hyvin puhtaalla vedellä, kuten vesijohtovedellä, ja ota yhteyttä lääkäriin välittömästi. Jos silmät jätetään hoitamatta, neste saattaa aiheuttaa silmäongelmia.
2. Jos nestettä vuotaa iholle tai vaatteille, pese ne heti huolellisesti puhtaalla vedellä, kuten vesijohtovedellä. Muuten iho voi ärtyä.
3. Jos havaitset ruostetta, pahaa hajua, ylikuumentumista, värin tai muodon muutoksia ja/tai muita epäsuorallisuksia käyttäessäsi akkua ensimmäistä kertaa, älä käytä akkua, vaan palauta se toimittajalle tai myyjälle.

VAROITUS

Jos litiumioniakun napaan pääsee johtavaa vierasta ainetta, akku voi joutua oikosulkuun ja aiheuttaa tulipalon. Kun varastoit litiumioniakun, noudata seuraavia ohjeita.

- Älä pane säilytyskoteloon johtavaa materiaalia, nauloja tai lankaa, kuten rauta- tai kuparilankaa.
- Estääksesi oikosulkujen syntyminen lataa akku työkalussa tai aseta akun suojus kunnolla paikalleen säilytyksen ajaksi niin, että tuuletin ei näy (**kuva 2**).

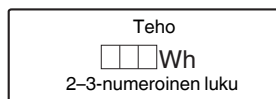
LITIUMIONIAKUN KULJETUSTA KOSKEVAT TIEDOT

Kun kuljetat litiumioniakkua, noudata seuraavia varotoimia.

VAROITUS

Ilmoita kuljetusliikkeelle, että pakkaus sisältää litiumioniakun, ilmoita akun teho ja noudata kuljetusliikkeen ohjeita, kun järjestät kuljetusta.

- Litiumioniakut, jotka ylittävät 100 Wh tehon, lasketaan rahtiluokituksessa vaarallisiksi tuotteiksi ja vaativat erityiskäyttönasettelijä.
- Jos akkua kuljetetaan ulkomailla, on noudatettava kansainvälistä lakia sekä kohdemaan sääntöjä ja määräyksiä.

**LITIUMIONIAKKUA KOSKEVA HUOMAUTUS**

Litiumioniakun käyttöiän pidentämiseksi akussa on suojatoiminto, joka pysäyttää virrantuoton.

Kun tuotetta käytetään alla kuvatuissa tapauksissa 1–3, moottori saattaa pysähtyä, vaikka kytkintä vedetään. Kyse ei ole viasta, vaan suojaustoiminnosta.

1. Kun jäljellä oleva akkuteho loppuu, moottori pysähtyy. Lataa akku tällöin välittömästi.
2. Jos työkalu ylikuormittuu, moottori saattaa pysähtyä. Vapauta tällöin työkalun kytkin ja poista ylikuormituksen syyt. Voit jatkaa käyttöä sen jälkeen.
3. Jos akku ylikuumentuu liian suurella kuormituksella, akkuvirta saattaa katketa. Lopeta tällöin akun käyttö ja anna akun jäähtyä. Voit jatkaa käyttöä sen jälkeen.

Ota huomioon myös seuraavat varoitukset ja huomautukset.

VAROITUS

Varmista, että otat huomioon seuraavat turvatoimet, jotta akun vuotaminen, lämmön syntyminen, savun muodostuminen, räjähdykset ja syttyminen voitaisiin estää.

1. Varmista, että akun päälle ei kerry hiomalastuja tai pölyä.
 - Varmista työskentelyn aikana, että hiomalastuja tai pölyä ei putoa akun päälle.
 - Varmista, että työskentelyn aikana sähkötyökalun päälle putoavia hiomalastuja tai pölyä ei kerry akun päälle.
 - Älä säilytä käyttämätöntä akkua hiomalastuilla ja pölyllä alttiissa paikassa.
 - Ennen akun varastoimista poista kaikki pöly ja hiomalastut, jotka ovat saattaneet tarttua siihen, äläkä varastoi sitä yhdessä metallisten osien (ruuvien, naulojen jne.) kanssa.
2. Älä pistä akkua terävällä esineellä, kuten naulalla, lyö sitä vasaralla tai astu sen päälle äläkä heitä akkua tai kohdista siihen voimakasta iskua.
3. Älä käytä ilmeisesti vahingoittunutta tai ulkonäöltään muuttunutta akkua.
4. Älä käytä akkua väärinapaisesti.
5. Älä yhdistä akkua suoraan sähköpistorasioihin tai auton savukkeensyöttimen pistorasioihin.
6. Älä käytä akkua muuhun kuin määritettyyn tarkoitukseen.
7. Jos akku ei lataudu kokonaan, vaikka ilmoitettu latausaika on kulunut, lopeta lataaminen välittömästi.
8. Älä altista akkua korkeille lämpötiloille tai korkealle paineelle, kuten mikroaaltouunille, kuivaajalle tai korkeapainesäiliölle.
9. Poista akku välittömästi tulen lähetyviltä, jos huomaat vuotoa tai pahaa hajua.
10. Älä käytä paikassa, jossa syntyy voimakasta staattista sähköä.
11. Jos akku vuotaa, haisee pahalta tai kuumenee tai jos sen väri tai muoto muuttuu tai akku vaikuttaa millään tavalla poikkeavalta sitä käytettäessä, ladattaessa tai säilytettäessä, poista se välittömästi laitteesta tai akkulaturista äläkä käytä sitä.

OSIEN NIMET (Kuva 1 – Kuva 12)

①	Laukaisupää (aukko)
②	Tanko
③	LED-valo
④	Liipaisin
⑤	Koukku
⑥	Akku
⑦	Salpa
⑧	Akun suojus
⑨	Liitäntänavat
⑩	Tuuletusaukot
⑪	Laturi
⑫	Naulapää
⑬	Naulan varsi
⑭	Naulan kärki
⑮	Magneetti
⑯	Magnetoitu alue
⑰	Naula
⑱	Ohjain
⑲	Metalliliitos
⑳	Reikä
㉑	Ruuvi
㉒	Ura
㉓	Pihdit

SYMBOLIT

VAROITUS

Seuraavassa esitellään koneessa käytetyt symbolit. Varmista, että ymmärrät niiden merkityksen, ennen kuin aloitat koneen käytön.

	NH18DSL: Nyrkkinaulain/Lyöntivasara cordless
	Loukkaantumiskin vähentämiseksi käyttäjän on luettava käyttöopas.
	Laitteen käyttäjien ja muiden työskentelyalueella olevien henkilöiden on käytettävä sivusuojilla varustettuja suojalaseja.
	Työkalua ei saa suunnata itseän tai muihin.
	Irrota akku
	Ei saa käyttää telineillä eikä tikkaila.
	Koskee vain EU-maita Älä hävitä sähkötyökaluja tavallisen kotitalousjätteen mukana! Sähkö- ja elektroniikkaromua koskevan EU-direktiivin 2012/19/EU ja sen maakohtaisten sovellusten mukaisesti käytetyt sähkötyökalut on kerättävä erikseen ja vietävä ympäristöystävälliseen kierrätyslaitokseen.
	Tasavirta
	Paino (EPTA-menettelyn 01/2014 mukaisesti)
	Kytkeminen PÄÄLLE
	Kytkeminen POIS PÄÄLTÄ
	Varoitus
	Kielletty toiminto

TEKNISET TIEDOT

1. Nyrkkinaulain/Lyöntivasara cordless

Malli	NH18DSL
Jännite	18 V
Iskujen lukumäärä	4000 min ⁻¹
Sopiva naula	∅ 1,7 – 4,1 mm (Katso taulukko 1)*1
Sopivan naulan pituus	25 mm – 90 mm*1
Paino*2	1,3 – 1,9 kg
Mitat korkeus x pituus	135 mm x 285 mm (BSL1815)

*1: Puuvastus: SPF, setripuu

Naulan upottaminen syvälle koviin materiaaleihin, kuten kuuseen, MDF-levyyn tai laminoituun puuhun ei välttämättä onnistu.

*2: Paino: EPTA-menettelyn 01/2014 mukaisesti. Käytettävän akun mukaan. Painavin on BSL36B18 (myydään erikseen).

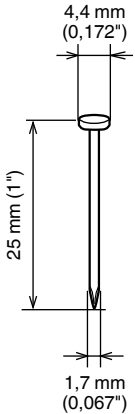

HUOMAA

Koska HiKOKI kehittää tuotteitaan jatkuvasti, tässä ilmoitetut tekniset tiedot voivat muuttua ilman ennakkoilmoitusta.

NAULAN VALITSEMINEN

Tämä Nyrkkinaulain/Lyöntivasara toimii seuraavan kokoisilla nautoilla.

Taulukko 1

Vähintään	Enintään
 <p>4,4 mm (0,172")</p> <p>25 mm (1")</p> <p>1,7 mm (0,067")</p>	 <p>8,7 mm (0,344")</p> <p>90 mm (3+1/2")</p> <p>4,1 mm (0,162")</p>

VAROITUS

- Älä käytä muun kokoisia nautoja.
Ne voivat vahingoittaa tankoa tai lähteä vinoon.
- Huomioi nautojen pään koko. Markkinoilta irtotavarana saatavien nautojen pään koko voi vaihdella suuresta pieneen.
- Älä käytä karkaistuja nautoja.

HUOMAA

- Naulan upottaminen syväälle koviin materiaaleihin, kuten kuuseen, MDF-levyyn tai laminoituun puuhun ei välttämättä onnistu.

PERUSVARUSTEET

VAROITUS

- Muut kuin alla näkyvät lisätarvikkeet voivat aiheuttaa toimintahäiriöitä ja henkilövahinkoja.

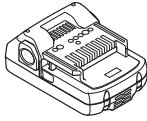
- ① Silmäsuojat..... 1



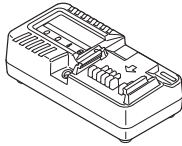
HUOMAA: HiKOKI voi muuttaa lisätarvikkeiden tietoja ilman velvoitteita.

LISÄVARUSTEET (MYYDÄÄN ERIKSEEN)

1. Akku
○ BSL1815



2. Laturi
○ UC18YKSL (Latausjännite: 14,4 V – 18 V)



Lisävarusteet voivat muuttua ilmoituksesta.

SOVELLUKSET

- Yleisesti rakentamisessa, asennuksissa, puukansissa, rungoissa ja remontoinneissa käytettävät puumateriaalit

LATAUS

Akkua ja akkulatoria ei toimiteta tämän tuotteen kanssa. Lataa akut käytettävän laturin käyttöohjeiden mukaisesti. (kuva 5)

KIINNITTÄMINEN JA KÄYTTÖ

Toimenpide	Kuva	Sivu
Akun asettaminen ja irrottaminen	3	2
Kytkimen käyttö	4	2
Lataus	5	3
Tangon toimintojen tarkistaminen*1	6	3
Ampuminen pitämällä naulaa magneetilla*2	7	3
Ampuminen pitämällä naulaa sormin*3	8	3
Naulan kiinnittäminen metalliliitokseen*4	9	4
Koukun käyttäminen*5	10	4
Tukoksen poistaminen	11	4
Varusteiden valitseminen	—	199

*1 VAROITUS

- Varmista, että tanko liikkuu käytön yhteydessä tasaisesti. Puhdista tangon liukualue, jos tanko ei liiku tasaisesti.

*2 VAROITUS

- Kun lataat naulan tankoon, tartu naulaan varresta, älä kärjestä.
- Ladatessasi naulan tankoon varmista, ettei se paina ohjaimen kärkeä.
- Kun lataat naulan tankoon, älä laita sormia tai käsiä naulan kärjen alapuolelle.

*3 VAROITUS

- Kun ammut naulan pitämällä sitä sormin, aseta naulan kärki ensin kohteeseen ja työnnä tanko tämän jälkeen naulan päähän.

*4 VAROITUS

- Kun ammut naulan, varmista, että naulan kärki on metalliliitoksen reiässä.

*5 HUOMAUTUS

- Kun käytät koukkuja, ripusta sähkötyökalu tukevasti niin, ettei se putoa vahingossa.
- Työkalun putoaminen voi aiheuttaa onnettomuuden.
- Varmista, että akku irrotetaan käytettäessä koukkuja.
- Asenna koukku tukevasti. Jos koukkuja ei asenneta kunnolla, se voi käytön aikana aiheuttaa henkilövahingon.

HUOMAUTUS

Työskentele nauatessasi lyhyin jaksoin ja vältä jatkuvaa käyttöä. Muussa tapauksessa seurauksena voi olla vikaantuminen tai rasvavuoto.

HUOLTO JA TARKASTUS

HUOMAUTUS

Irrota akku Nyrkkinaulain/Lyöntivasara ennen huoltamista ja tarkastamista.

VAROITUS

- Irrota akku ja poista nauulat Nyrkkinaulain/Lyöntivasara seuraavissa tilanteissa:
 - 1) huoltamisen ja tarkastamisen yhteydessä ja
 - 2) poistettaessa tukosta.
- Tarkista liittämättä akkua, että tanko liikkuu tasaisesti painamalla tangon kärki esimerkiksi puuta vasten.

1. Tukoksen poistaminen (kuva 11)

- ① Irrota akku Nyrkkinaulain/Lyöntivasara
- ② Poista juuttunut naula pihdeillä.
- ③ Jos tukoksia syntyy usein, ota yhteyttä valtuutettuun HiKOKI-huoltoilikkeeseen.

2. Tangon tarkastaminen (kuva 6)

Puhdista ja voitele tangon sekä holkin liukuosa säännöllisesti.

Tarkista, että tanko liikkuu tasaisesti painamalla Nyrkkinaulain/Lyöntivasara esimerkiksi puuta vasten.

Esimerkiksi rautapölyn tarttuminen tangon sisällä olevaan magnetoituun alueeseen voi heikentää naulan pitämiseen käytettävää voimaa. Pyyhi alue ajoittain puhtaaksi liinalla tai liimanauhalla.

Puhdista rautapöly ajoittain liinalla tai liimanauhalla myös tangon ulkopuolella olevasta magneetista.

Näin tanko pääsee liikkumaan esteettä.

3. Kiinnitysruuvien tarkistaminen

Tarkista kaikki kiinnitysruuvit säännöllisesti ja varmista, että ne on kunnolla kiristetty. Jos ruuvit ovat löysällä, kiristä ne välittömästi. Tämän tekemättä jättäminen voi aiheuttaa vakavan vaaran.

4. Moottorin huolto

Moottorin käämi on sähkötyökalun "ydin". Ole varovainen, jotta käämi ei vahingoitu ja/tai altistu öljylle tai vedelle.

5. Ulkopinnan puhdistus

Jos sähkötyökalussa on likaa, pyyhi se kuivalla, pehmeällä kankaalla tai saippuavedellä kostutetulla kankaalla. Älä käytä kloriittisia nesteitä, bensiiniä tai tinneriä, sillä ne sulattavat muovia.

6. Säilytys

Säilytä sähkötyökalu ja akku lasten ulottumattomissa ja paikassa, jonka lämpötila on alle 40°C.

HUOMAA

Litiumioniakkujen säilytys.

Varmista, että litiumioniakut on ladattu täyteen ennen varastointia.

Akkujen pitkäaikainen varastointi (3 kuukautta tai enemmän), kun niiden lataustaso on alhainen, saattaa johtaa akkujen toimintakyvyn heikkenemiseen, lyhentää huomattavasti akun käyttöaikaa tai heikentää akkuja niin, etteivät ne pysty säilyttämään varausta.

Huomattavasti vähentynyt akun käyttöaika voidaan yrittää korjata lataamalla ja käyttämällä akun varaus loppuun toistuvasti 2–5 kertaa.

Jos akun käyttöikä on äärettömän lyhyt toistuvasta latauksesta ja käytöstä huolimatta, lopeta akun käyttö ja osta uusi akku.

HUOMAUTUS

Sähkötyökalujen käytössä ja huollossa on aina noudatettava kussakin maassa voimassa olevia turvaohjeita ja normeja.

Tärkeä huomautus HiKOKIn langattomien sähkötyökalujen akuista

Käytä aina jotain määrittämistämme alkuperäisistä akuista. Emme voi taata langattoman sähkötyökalumme turvallisuutta ja toimivuutta, jos sitä käytetään muun kuin määrittämämme akun kanssa tai jos akku puretaan ja sitä muunnellaan (esimerkiksi kennojen tai muiden sisäosien purku ja vaihto).

TAKUU

Myönnämme HiKOKI-sähkötyökaluille takuun lakisääteisten/kansallisten erityissääntelyiden mukaisesti. Tämä takuu ei kata vikoja tai vaurioita, jotka johtuvat vääränlaisesta tai kielletystä käytöstä tai normaalista kulumisesta. Reklamaatiotapauksessa lähetä purkamaton sähkötyökalu ja tämän käyttöoppaan lopussa oleva TAKUUSERTIFIKAATTI valtuutettuun HiKOKI-huoltokeskukseen.

Tietoja ilmovälitteisestä melusta ja tärinästä

Mittausarvot on määritetty EN62841-standardin mukaisesti ja ilmoitettu ISO 4871 -standardin mukaisesti.

Mitattu A-painotteinen ääniteho: 107 dB (A)

Mitattu A-painotteinen äänipainearvo: 96 dB (A)

Epävarmuus K : 3 dB (A).

Käytä kuulonsuojaimia.

Tärinän kokonaisarvot (kolmiakselivektorisumma) EN62841-standardin mukaisesti määritettyinä.

Värähtelyemissioarvo: 15,5 m/s²

Epävarmuus K = 1,5 m/s²

Ilmoitettu tärinän kokonaisarvo ja ilmoitettu melupäästöarvo on mitattu standardoidun testausmenetelmän mukaisesti, ja niitä voidaan käyttää työkalujen vertaamiseen keskenään.

Niitä voidaan käyttää myös altistumisen alustavaan arviointiin.

VAROITUS

- Sähkötyökalun varsinaisen käytön aikana ilmenevä tärinä ja melupäästöt voivat poiketa ilmoitetusta kokonaisarvosta sen mukaan, miten työkalua käytetään ja erityisesti, millaista työkalua käsitellään, ja
- Määritä käyttäjää suojaavat varoitimet, jotka perustuvat arvioituun altistumiseen varsinaisessa käyttötilanteessa (ottaen huomioon käyttöjakson kaikki vaiheet, kuten hetket, jolloin työkalu on kytketty pois päältä ja jolloin se on tyhjäkännissä, varsinaisen käyntiajan lisäksi).

HUOMAA

Koska HiKOKI kehittää tuotteitaan jatkuvasti, tässä ilmoitetut tekniset tiedot voivat muuttua ilman ennakoilmoitusta.

ΓΕΝΙΚΕΣ ΠΡΟΕΙΔΟΠΟΙΗΣΕΙΣ ΑΣΦΑΛΕΙΑΣ ΤΟΥ ΗΛΕΚΤΡΙΚΟΥ ΕΡΓΑΛΕΙΟΥ

⚠ ΠΡΟΕΙΔΟΠΟΙΗΣΗ

Διαβάστε όλες τις προειδοποιήσεις ασφαλείας, τις οδηγίες, τις εικόνες και τις προδιαγραφές που παρέχονται με το ηλεκτρικό εργαλείο.

Η μη τήρηση των οδηγιών μπορεί να προκαλέσει ηλεκτροπληξία, πυρκαγιά και/ή σοβαρό τραυματισμό.

Φυλάξτε όλες τις προειδοποιήσεις και τις οδηγίες για μελλοντική αναφορά.

Ο όρος «ηλεκτρικό εργαλείο» στις προειδοποιήσεις αναφέρεται στο ηλεκτρικό εργαλείο (με καλώδιο) που λειτουργεί μέσω δικτύου ή στο ηλεκτρικό εργαλείο που λειτουργεί με μπαταρία (χωρίς καλώδιο).

1) Ασφάλεια χώρου εργασίας

a) Διατηρείτε το χώρο εργασίας καθαρό και καλά φωτισμένο.

Σε ακατάστατες ή σκοτεινές περιοχές μπορεί να προκληθούν ατυχήματα.

b) Μην χρησιμοποιείτε τα ηλεκτρικά εργαλεία σε περιβάλλον, στο οποίο μπορεί να προκληθεί έκρηξη, όπως παρουσία εύφλεκτων υγρών, αερίων ή σκόνης.

Τα ηλεκτρικά εργαλεία δημιουργούν σπινθήρες, οι οποίοι μπορεί να προκαλέσουν ανάφλεξη της σκόνης ή του καπνού.

c) Κρατήστε τα παιδιά και τους παρευρισκόμενους μακριά όταν χρησιμοποιείτε ένα ηλεκτρικό εργαλείο.

Αν κάτι σας αποσπάσει την προσοχή σας, υπάρχει κίνδυνος να χάσετε τον έλεγχο.

2) Διακόπτης ασφαλείας

a) Τα φως των ηλεκτρικών εργαλείων πρέπει να είναι κατάλληλα για τις πρίζες. Μην τροποποιήσετε ποτέ το φως με οποιονδήποτε τρόπο. Μην χρησιμοποιείτε φως προσαρμογής με γειωμένα ηλεκτρικά εργαλεία.

Τα μη τροποποιημένα φως και οι κατάλληλες πρίζες μειώνουν τον κίνδυνο ηλεκτροπληξίας.

b) Αποφύγετε τη σωματική επαφή με γειωμένες επιφάνειες όπως σωλήνες, καλοριφέρ, ηλεκτρικές κουζίνες και ψυγεία.

Υπάρχει αυξημένος κίνδυνος ηλεκτροπληξίας όταν το σώμα σας είναι γειωμένο.

c) Μην εκθέτετε τα ηλεκτρικά εργαλεία στη βροχή ή σε συνθήκες υγρασίας.

Το νερό που εισέρχεται σε ένα ηλεκτρικό εργαλείο αυξάνει τον κίνδυνο ηλεκτροπληξίας.

d) Μην κακομεταχειρίζεστε το καλώδιο. Μην χρησιμοποιείτε ποτέ το καλώδιο για να μεταφέρετε, να τραβήξετε ή να βγάλετε από την πρίζα το ηλεκτρικό εργαλείο.

Κρατήστε το καλώδιο μακριά από θερμότητα, λάδι, κοφτερές γωνίες και κινούμενα μέρη. Τα κατεστραμμένα ή μπερδεμένα καλώδια αυξάνουν τον κίνδυνο ηλεκτροπληξίας.

e) Όταν χρησιμοποιείτε το εργαλείο σε εξωτερικό χώρο, χρησιμοποιήστε καλώδιο προέκτασης που προορίζεται για χρήση σε εξωτερικό χώρο.

Η χρήση ενός καλώδιου κατάλληλου για εξωτερικό χώρο μειώνει τον κίνδυνο ηλεκτροπληξίας.

f) Αν είναι αναπόφευκτη η λειτουργία ενός ηλεκτρικού εργαλείου σε χώρο με υγρασία, χρησιμοποιείτε διάταξη προστασίας ρεύματος διαρροής (RCD).

Η χρήση της RCD μειώνει τον κίνδυνο ηλεκτροπληξίας.

3) Προσωπική ασφάλεια

a) Να είστε σε ετοιμότητα, να έχετε την προσοχή σας στην εργασία που πραγματοποιείτε και να χρησιμοποιείτε την κοινή λογική όταν χρησιμοποιείτε ένα ηλεκτρικό εργαλείο.

Μη χρησιμοποιείτε ηλεκτρικά εργαλεία όταν είστε κουρασμένοι ή υπό την επίρρεση ναρκωτικών ουσιών, οινοπνεύματος ή φαρμάκων.

Μια στιγμή απροσεξίας κατά τη χρήση ενός ηλεκτρικού εργαλείου μπορεί να προκαλέσει σοβαρό προσωπικό τραυματισμό.

b) Χρησιμοποιείτε προσωπικό προστατευτικό εξοπλισμό. Φοράτε πάντα εξοπλισμό για την προστασία των ματιών.

Ο προστατευτικός εξοπλισμός, όπως μάσκα σκόνης, αντιολισθητικά υποδήματα ασφαλείας, προστατευτικό κράνος ή προστατευτικά της ακοής, που χρησιμοποιείται για ανάλογες συνθήκες, μειώνει τους τραυματισμούς.

c) Αποφύγετε την ακούσια έναρξη. Βεβαιωθείτε ότι ο διακόπτης είναι σε θέση απενεργοποίησης πριν συνδέσετε τη συσκευή με πηγή ρεύματος και/ή τη θήκη της μπαταρίας, σηκώσετε ή μεταφέρετε το εργαλείο.

Η μεταφορά ηλεκτρικού εργαλείου με τα δάχτυλά σας στο διακόπτη ή η ηλεκτροδότηση ηλεκτρικού εργαλείου με ενεργοποιημένο το διακόπτη μπορεί να προκαλέσουν ατυχήματα.

d) Να αφαιρείτε τυχόν κλειδιά ρυθμιζόμενου ανοίγματος ή τα απλά κλειδιά πριν θέσετε σε λειτουργία το ηλεκτρικό εργαλείο.

Ένα απλό κλειδί ή ένα κλειδί ρυθμιζόμενου ανοίγματος που είναι προσαρτημένο σε περιστρεφόμενο εξάρτημα του ηλεκτρικού εργαλείου μπορεί να προκαλέσει προσωπικό τραυματισμό.

e) Μην τεντώνεστε. Να πατάτε σταθερά και να διατηρείτε την ισορροπία σας.

Με αυτόν τον τρόπο μπορείτε να ελέγχετε καλύτερα το ηλεκτρικό εργαλείο σε μη αναμενόμενες καταστάσεις.

f) Να είστε ντυμένοι κατάλληλα. Μην φοράτε φαρδιά ρούχα ή κοσμήματα. Κρατήστε τα μαλλιά σας και τα ρούχα σας μακριά από κινούμενα μέρη.

Τα φαρδιά ρούχα, τα κοσμήματα και τα μαλλιά μαλλιά μπορεί να πιαστούν σε κινούμενα μέρη.

g) Αν παρέχονται εξαρτήματα για τη σύνδεση συσκευών εξαγωγής και συλλογής σκόνης, να βεβαιωθείτε ότι είναι συνδεδεμένα και χρησιμοποιούνται με το σωστό τρόπο.

Η χρήση συλλέκτη σκόνης μειώνει τους κινδύνους που προκαλούνται λόγω σκόνης.

h) Μην αφήσετε την εξοικείωση που έχετε αποκτήσει από τη συχνή χρήση των εργαλείων να σας εφησυχάσει και να αγνοήσετε τις αρχές ασφαλείας του εργαλείου.

Μια απρόσεκτη ενέργεια μπορεί να προκαλέσει σοβαρό τραυματισμό μέσα σε ένα κλάσμα του δευτερολέπτου.

- 4) Χρήση και φροντίδα ηλεκτρικών εργαλείων
- a) Μην ασκείτε δύναμη στο ηλεκτρικό εργαλείο. Να χρησιμοποιείτε το ηλεκτρικό εργαλείο που είναι κατάλληλο για το είδος της εργασίας που εκτελείτε.
Το κατάλληλο ηλεκτρικό εργαλείο θα εκτελέσει την εργασία καλύτερα και με μεγαλύτερη ασφάλεια με τον τρόπο που σχεδιάστηκε.
- b) Μη χρησιμοποιήσετε το ηλεκτρικό εργαλείο αν ο διακόπτης λειτουργίας δεν ανοίγει και δεν κλείνει.
Ένα ηλεκτρικό εργαλείο που δεν ελέγχεται από το διακόπτη λειτουργίας είναι επικίνδυνο και πρέπει να επισκευαστεί.
- c) Αποσυνδέστε το βύσμα από την πηγή ισχύος και/ή αφαιρέστε τη θήκη μπαταρίας, εάν είναι αποσπώμενη, από το ηλεκτρικό εργαλείο πριν προβείτε σε ρυθμίσεις, αλλαγή εξαρτημάτων ή αποθήκευση του ηλεκτρικού εργαλείου.
Αυτά τα προληπτικά μέτρα ασφαλείας μειώνουν τον κίνδυνο λανθασμένης εκκίνησης του ηλεκτρικού εργαλείου.
- d) Αποθηκεύετε τα εργαλεία που δεν χρησιμοποιείτε μακριά από παιδιά και μη αφήνεται τα άτομα που δεν είναι εξοικειωμένα με το ηλεκτρικό εργαλείο ή με αυτές τις οδηγίες να χρησιμοποιούν το ηλεκτρικό εργαλείο.
Τα ηλεκτρικά εργαλεία είναι επικίνδυνα στα χέρια μη εκπαιδευμένων ατόμων.
- e) Συντηρείτε τα ηλεκτρικά εργαλεία και τα εξαρτήματα. Να ελέγχετε για τυχόν λάθος ευθυγράμμιση ή μπλοκάρισμα των κινούμενων μερών, τυχόν θραύση των εξαρτημάτων και οποιαδήποτε άλλη κατάσταση που ενδέχεται να επηρεάσει τη λειτουργία του ηλεκτρικού εργαλείου. Σε περίπτωση βλάβης, το ηλεκτρικό εργαλείο πρέπει να επισκευαστεί πριν χρησιμοποιηθεί.
Πολλά ατυχήματα προκαλούνται από ηλεκτρικά εργαλεία που δεν έχουν συντηρηθεί σωστά.
- f) Διατηρείτε τα εργαλεία κοπής κοφτερά και καθαρά.
Τα κατάλληλα συντηρημένα εργαλεία κοπής με κοφτερές άκρες μπλοκάρουν πιο δύσκολα και ελέγχονται πιο εύκολα.
- g) Χρησιμοποιείτε το ηλεκτρικό εργαλείο, τα εξαρτήματα και τα μέρη κ.τ.λ. σύμφωνα με τις παρούσες οδηγίες, λαμβάνοντας υπόψη τις συνθήκες εργασίας και την εργασία που θα εκτελέσετε.
Η χρήση του ηλεκτρικού εργαλείου για εργασίες πέρα από εκείνες για τις οποίες προορίζεται, ενδέχεται να δημιουργήσει κινδύνους.
- h) Κρατήστε τις λαβές και τις επιφάνειες λαβής στεγνές, καθαρές και απαλλαγμένες από λάδια και γράσα.
Οι ολισθηρές λαβές και οι επιφάνειες λαβής δεν επιτρέπουν τον ασφαλή χειρισμό και έλεγχο του εργαλείου σε απρόοπτες καταστάσεις.
- 5) Εργαλείο μπαταρίας – χρήση και φροντίδα
- a) Η επαναφόρτιση να πραγματοποιείται μόνο μέσω του φορτιστή που έχει καθοριστεί από τον κατασκευαστή.
Ο φορτιστής που είναι κατάλληλος για ένα τύπο θήκης μπαταριών ενδέχεται να προκαλέσει κίνδυνο πυρκαγιάς όταν χρησιμοποιείται με άλλου τύπου θήκη μπαταριών.
- b) Χρησιμοποιήστε ηλεκτρικά εργαλεία μόνο με τις ειδικά καθορισμένες θήκες μπαταριών.
Η χρήση οποιοδήποτε άλλου τύπου θήκης μπαταριών ενδέχεται να προκαλέσει τραυματισμό και πυρκαγιά.
- c) Όταν η θήκη μπαταριών είναι εκτός χρήσης, φυλάξτε την μακριά από άλλα μεταλλικά αντικείμενα όπως συνδετήρες, νομίσματα, κλειδιά, καρφιά, βίδες ή άλλα μεταλλικά αντικείμενα μικρού μεγέθους που μπορούν να συνδέσουν τον ένα ακροδέκτη με τον άλλο.
Αν συνδέσετε μαζί τους ακροδέκτες μπαταριών ενδέχεται να προκληθούν εγκαυματα ή πυρκαγιά.
- d) Υπό καταχρηστικές συνθήκες, ενδέχεται να εκτοξευτεί υγρό από την μπαταρία. Αποφύγετε την επαφή. Σε περίπτωση επαφής με το υγρό από σφάλμα, ξεπλύνετε με νερό. Αν το υγρό έρθει σε επαφή με τα μάτια, ξεπλύνετε με νερό και ζητήστε ιατρική βοήθεια.
Το υγρό που εκτοξεύεται από την μπαταρία μπορεί να προκαλέσει ερεθισμό ή εγκαυματα.
- e) Μη χρησιμοποιείτε ένα τροφοδοτικό μπαταρίας ή εργαλείο που έχει υποστεί ζημιά ή έχει τροποποιηθεί.
Οι φαρμαμένες ή τροποποιημένες μπαταρίες ενδέχεται να παρουσιάσουν απρόβλεπτη συμπεριφορά με αποτέλεσμα την πρόκληση φωτιάς, έκρηξης ή τραυματισμού.
- f) Μην εκθέτετε ένα τροφοδοτικό μπαταρίας ή εργαλείο σε φωτιά ή υπερθέρμανση.
Η έκθεση σε φωτιά ή θερμοκρασία άνω των 130°C ενδέχεται να προκαλέσει έκρηξη.
- g) Ακολουθήστε όλες τις οδηγίες σχετικά με τη φόρτιση, και μη φορτίστε το τροφοδοτικό μπαταρίας ή το εργαλείο εκτός του εύρους θερμοκρασίας που καθορίζεται στις οδηγίες.
Η ακατάλληλη φόρτιση ή σε θερμοκρασίες εκτός του καθορισμένου εύρους μπορεί να καταστρέψει την μπαταρία και να αυξήσει τον κίνδυνο φωτιάς.
- 6) Σέρβις
- a) Να δίνετε το ηλεκτρικό εργαλείο για σέρβις σε κατάλληλα εκπαιδευμένα άτομα και να χρησιμοποιείτε μόνο γνήσια ανταλλακτικά.
Με αυτόν τον τρόπο είστε σίγουροι για την ασφάλεια του ηλεκτρικού εργαλείου.
- b) Μην επισκευάζετε ποτέ τροφοδοτικά μπαταρίας που έχουν υποστεί φθορά.
Η επισκευή των τροφοδοτικών μπαταρίας θα πρέπει να γίνεται μόνο από τον κατασκευαστή ή από εξουσιοδοτημένους τεχνικούς.

ΠΡΟΦΥΛΑΞΗ

Μακριά από τα παιδιά και τους αναπήρους. Όταν δεν χρησιμοποιούνται, τα εργαλεία πρέπει να φυλάσσονται μακριά από παιδιά και άτομα με αναπηρίες.

ΠΡΟΕΙΔΟΠΟΙΗΣΕΙΣ ΑΣΦΑΛΕΙΑΣ ΓΙΑ ΤΟ ΕΠΑΝΑΦΟΡΤΙΖΟΜΕΝΟ ΚΑΡΦΩΤΙΚΟ

- Υποθέτετε πάντα ότι το εργαλείο περιέχει καρφιά.
 Ο απρόσεκτος χειρισμός του Καρφωτικού μπορεί να οδηγήσει σε απροσδόκητη εκτόξευση των καρφιών και τραυματισμό.
- Μην στρέφετε το εργαλείο προς το μέρος σας ή σε άλλο άτομο τριγύρω.
 Η απροσδόκητη ενεργοποίηση θα αποβάλει το καρφί προκαλώντας τραυματισμό.
- Μην ενεργοποιήστε το εργαλείο εκτός αν το εργαλείο έχει τοποθετηθεί καλά στο προς κατεργασία κομμάτι.
 Εάν το εργαλείο δεν έρχεται σε επαφή με το προς κατεργασία κομμάτι, το καρφί μπορεί να εκτραπεί από τον στόχο σας.

Ελληνικά

4. **Αποσυνδέστε το εργαλείο από την πηγή τροφοδοσίας κατά την εμπλοκή καρφιού μέσα στο εργαλείο.**

Κατά την αφαίρεση ενός καρφιού που έχει εμπλακεί, το Καρφωτικό μπορεί να ενεργοποιηθεί κατά λάθος αν συνδεθεί στην πρίζα.

5. **Μη χρησιμοποιείτε αυτό το Καρφωτικό για τη στερέωση ηλεκτρικών καλωδίων.**

Δεν έχει σχεδιαστεί για εγκατάσταση ηλεκτρικών καλωδίων και μπορεί να προκληθεί ζημιά στη μόνωση των ηλεκτρικών καλωδίων, κι έτσι να προκληθεί κίνδυνος ηλεκτροπληξίας ή φωτιάς.

6. **Φοράτε προστατευτικά ακοής**

Η έκθεση στον ήχο ενδέχεται να προκαλέσει απώλεια ακοής.

7. **Χρησιμοποιείτε βοηθητικές λαβές, εάν παρέχονται με το εργαλείο.**

Η απώλεια ελέγχου του εργαλείου ενδέχεται να προκαλέσει προσωπικό τραυματισμό.

8. **Να κρατάτε το ηλεκτρικό εργαλείο από τις μονωμένες επιφάνειες λαβής όταν πραγματοποιείτε εργασίες όπου ο συνδετήρας μπορεί να έρθει σε επαφή με κρυφή καλωδίωση.**

Οι συνδετήρες που συνδέουν ένα καλώδιο «υπό τάση» ενδέχεται να καταστήσουν εκτεθειμένα τα μεταλλικά μέρη του ηλεκτρικού εργαλείου «υπό τάση» και να προκαλέσουν ηλεκτροπληξία στον χειριστή.

5. **Προστατέψτε τα αυτιά και το κεφάλι σας.**

Όταν απασχολείστε με την εργασία καρφώματος, να φοράτε ωτοασπίδες και προστατευτικό για το κεφάλι. Επίσης, ανάλογα με την κατάσταση, βεβαιωθείτε ότι και τα παρευρισκόμενα άτομα φορούν ωτοασπίδες και προστατευτικό για το κεφάλι.

6. **Δώστε προσοχή σε εκείνους που εργάζονται κοντά σας.**

Θα ήταν πολύ επικίνδυνο αν καρφιά, που δεν έχουν προωθηθεί σωστά, χτυπούσαν άλλα άτομα. Συνεπώς, προσέχετε πάντα για την ασφάλεια των ατόμων γύρω σας, όταν χρησιμοποιείτε αυτό το εργαλείο. Πάντα να βεβαιώνεστε ότι το σώμα, τα χέρια ή τα πόδια κάποιου δεν είναι κοντά στην έξοδο των καρφίων.

7. **Μην τοποθετείτε ποτέ την έξοδο των καρφίων προς το μέρος ατόμων.**



Υποθέστε πάντα ότι το εργαλείο περιέχει συνδετήρες.

Αν η έξοδος των καρφίων είναι στραμμένη προς το μέρος ατόμων, σοβαρά ατυχήματα μπορεί να προκληθούν αν εκφορτώσετε εσφαλμένα το εργαλείο. Κατά τη σύνδεση και αποσύνδεση της μπαταρίας, κατά την τοποθέτηση καρφίων ή παρόμοιες λειτουργίες, βεβαιωθείτε ότι η έξοδος καρφίων δεν είναι στραμμένη προς το μέρος κάποιου (συμπεριλαμβανομένου και του εαυτού σας). Ακόμα και όταν δεν φορτώνονται καθόλου καρφιά, είναι επικίνδυνο να εκφορτώνετε το εργαλείο ενώ το στρέψετε προς κάποιο άτομο, οπότε ποτέ μην το επιχειρήσετε. Χωρίς φασαρία. Σεβαστείτε το εργαλείο ως εργαλείο εργασίας.

8. **Ελέγξτε τη ράβδο πριν από τη χρήση.**

Βεβαιωθείτε ότι η ράβδος λειτουργεί σωστά. Ποτέ μη χρησιμοποιείτε το Καρφωτικό εκτός αν η ράβδος λειτουργεί κανονικά, διαφορετικά το Καρφωτικό θα μπορούσε να προωθήσει απροσδόκητα ένα καρφί. Μην αφαιρείτε τη ράβδο ή επεμβαίνετε σε αυτή, διαφορετικά η ράβδος καθίσταται μη λειτουργική.

9. **Χρησιμοποιείτε μόνο τα καθορισμένα καρφιά.**

Ποτέ μη χρησιμοποιείτε καρφιά διαφορετικά από αυτά που καθορίζονται και περιγράφονται στις παρούσες οδηγίες.

10. **Προσέχετε όταν συνδέετε την μπαταρία.**

Όταν συνδέετε την μπαταρία και τοποθετείτε καρφιά, προκειμένου να μην ενεργοποιηθεί το εργαλείο κατά λάθος, βεβαιωθείτε για τα παρακάτω.

- Μην αγγίζετε τη σκανδάλη ενεργοποίησης.
- Μην επιτρέψετε στην κεφαλή εκτόξευσης να έρθει σε επαφή με οποιαδήποτε επιφάνεια.
- Διατηρείτε την κεφαλή εκτόξευσης προς τα κάτω. Τηρείτε αυστηρά τις παραπάνω οδηγίες, και φροντίστε πάντα κανένα μέρος του σώματος, τα χέρια ή τα πόδια να μη βρίσκονται μπροστά από την έξοδο των καρφίων.

11. **Μην τοποθετήσετε απρόσεκτα το δάχτυλό σας στη σκανδάλη ενεργοποίησης.**

Μην τοποθετείτε το δάχτυλό σας στη σκανδάλη ενεργοποίησης, εκτός από την περίπτωση που όντως καρφώνετε. Εάν μεταφέρετε αυτό το εργαλείο ή το δίσετε σε κάποιον έχοντας το δάχτυλό σας στη σκανδάλη ενεργοποίησης, μπορείτε να εκφορτώσετε κατά λάθος ένα καρφί και να προκαλέσετε ατύχημα.

12. **Πιέστε σταθερά την έξοδο των καρφίων προς το υλικό που πρόκειται να καρφωθεί.**

Όταν προωθείτε τα καρφιά προς τα μέσα, πιέστε σταθερά την έξοδο των καρφίων προς το υλικό που πρόκειται να καρφωθεί. Αν η έξοδος δεν εφαρμοστεί σωστά, τα καρφιά μπορεί να ανασκηθούν.

ΠΡΟΣΘΕΤΕΣ ΠΡΟΕΙΔΟΠΟΙΗΣΕΙΣ ΑΣΦΑΛΕΙΑΣ

1. **Βεβαιωθείτε ότι κρατάτε με ασφάλεια το εργαλείο κατά την εργασία σας.**

Διαφορετικά μπορεί να προκαλέσετε ατύχημα ή τραυματισμούς. (Εικ. 12)

2. **Ασφαλής λειτουργία μέσω της σωστής χρήσης.**

Αυτό το εργαλείο έχει σχεδιαστεί για την προώθηση καρφίων μέσα σε ξύλο και παρόμοια υλικά. Χρησιμοποιήστε το μόνο για τον προοριζόμενο σκοπό του.

3. **Προσέξτε την ανάφλεξη και τις εκρήξεις.**

Δεδομένου ότι σπινθήρες μπορεί να πετάνονται κατά τη διάρκεια του καρφώματος, είναι επικίνδυνο να χρησιμοποιείτε αυτό το εργαλείο κοντά σε βερνίκι, λαβή, βενζίνη, διαλυτικό, βενζίνη, αέριο, κόλλες και παρόμοιες εύφλεκτες ουσίες, καθώς ενδέχεται να αναφλεγούν ή να εκραγούν. Σε καμία περίπτωση αυτό το εργαλείο δεν πρέπει να χρησιμοποιείται κοντά σε τέτοιο εύφλεκτο υλικό.

4. **Φοράτε πάντα προστατευτικά ματιών (προστατευτικά γυαλιά).**



Όταν χρησιμοποιείτε το ηλεκτρικό εργαλείο, πάντα να φοράτε προστατευτικά ματιών, και διασφαλίστε τα παρευρισκόμενα άτομα να φοράνε, επίσης, προστατευτικά ματιών.

Ηπιθανότητα εισαγωγής θραυσμάτων των καρφίων που δεν έχουν χτυπηθεί σωστά, μέσα στο μάτι, αποτελεί απειλή για την όραση. Τα προστατευτικά ματιών μπορούν να αγοραστούν σε οποιοδήποτε κατάστημα οπθιατρικών. Φοράτε πάντα προστατευτικά ματιών όταν χειρίζεστε αυτό το εργαλείο. Χρησιμοποιήστε είτε προστατευτικό ματιών είτε μάσκα ευρείας όρασης πάνω από τα γυαλιά οράσεως.

Οι εργοδότες θα πρέπει πάντα να επιβάλλουν τη χρήση εξοπλισμού προστασίας των ματιών.

13. **Κρατήστε τα χέρια και τα πόδια σας μακριά από την κεφαλή εκτόξευσης κατά τη χρήση.**



Είναι πολύ επικίνδυνο ένα καρφί να χτυπήσει επάνω στα πόδια ή τα χέρια κατά λάθος.

14. **Προσέχετε την ανάκρουση του εργαλείου.**

Μην πλησιάζετε το πάνω μέρος του εργαλείου με το κεφάλι κλπ. κατά τη διάρκεια της λειτουργίας. Αυτό είναι επικίνδυνο, διότι το εργαλείο μπορεί να αναπηδήσει με βίαιο τρόπο αν το καρφί που προωθείται προς τα μέσα έρθει σε επαφή με ένα προηγούμενο καρφί ή έναν κόμπο στο ξύλο.

15. **Προσέχετε όταν καρφώνετε λεπτές σανίδες ή γωνίες ξύλου.**

Όταν καρφώνετε λεπτές σανίδες, τα καρφιά μπορεί να προεξέχουν από αυτές, όπως μπορεί επίσης να συμβαίνει όταν καρφώνετε γωνίες ξύλου λόγω της απόκλισης των καρφιών. Σε αυτές τις περιπτώσεις, να φροντίζετε πάντα να μην υπάρχει κανένας (και τα χέρια ή τα πόδια κλπ. κανενός) πίσω από τη λεπτή σανίδα ή δίπλα στο ξύλο που πρόκειται να καρφώσετε.

16. **Το ταυτόχρονο κάρφωμα και στις δύο πλευρές του ίδιου τοίχου είναι επικίνδυνο.**

Σε καμία περίπτωση δεν πρέπει να γίνεται κάρφωμα και στις δύο πλευρές ενός τοίχου ταυτόχρονα. Αυτό θα ήταν πολύ επικίνδυνο, καθώς τα καρφιά θα μπορούσαν να περάσουν από τον τοίχο και να προκαλέσουν τραυματισμούς.

17. **Μη χρησιμοποιείτε το ηλεκτρικό εργαλείο σε σκαλωσιές, σκάλες.**

Το ηλεκτρικό εργαλείο δεν πρέπει να χρησιμοποιείται για συγκεκριμένη εφαρμογή για παράδειγμα:

- όταν η αλλαγή μιας θέσης προώθησης σε άλλη περιλαμβάνει τη χρήση ικριωμάτων, σκαλοπατιών, σκαλών ή παρόμοιων κατασκευών, πχ. πηχάκια οροφής,
- κλείσιμο κουτιών ή κιβωτιών,
- τοποθέτηση συστημάτων ασφάλειας μεταφορών, πχ. σε οχήματα και φορτηγά βαγόνια

18. **Αφαιρείτε όλα τα εναπομείνοντα καρφιά και την μπαταρία από το Καρφωτικό:**

- 1) κάνετε συντήρηση και επιθεώρηση,
- 2) κάνετε έλεγχο της σωστής λειτουργίας της ράβδου και της σκανδάλης ενεργοποίησης,
- 3) αποκαθιστάτε μια εμπλοκή,
- 4) δεν χρησιμοποιείται,
- 5) εγκαταλείπετε τον χώρο εργασίας,
- 6) μετακινείστε σε άλλη τοποθεσία, και
- 7) το δίνετε σε άλλο άτομο.

Ποτέ μην επιχειρήσετε να αποκαταστήσετε μια εμπλοκή ή να επισκευάσετε το Καρφωτικό, χωρίς να έχετε αφαιρέσει την μπαταρία και όλα τα εναπομείνοντα καρφιά από το Καρφωτικό.

Το Καρφωτικό δεν πρέπει ποτέ να παραμένει αφύλακτο, αφού άτομα μη εξοικειωμένα με το Καρφωτικό μπορεί να το χειριστούν και να τραυματιστούν.

19. **Όταν καθαρίζετε το ηλεκτρικό εργαλείο, μη χρησιμοποιείτε βενζίνη ή άλλα εύφλεκτα υγρά.**

Εάν εισέλθει ατμός από εύφλεκτο υγρό στο ηλεκτρικό εργαλείο, υπάρχει κίνδυνος οι σπινθήρες που δημιουργούνται κατά τη συρραφή κλπ. να προκαλέσουν έκρηξη.

20. **Το περιβάλλον λειτουργίας για αυτή τη συσκευή είναι μεταξύ 0°C και 40°C, οπότε βεβαιωθείτε ότι τη χρησιμοποιείτε εντός αυτού του εύρους θερμοκρασιών. Η συσκευή ενδέχεται να μην λειτουργήσει κάτω του 0°C ή άνω των 40°C.**

21. **ΠΟΤΕ μην αφήσετε μαγνήτες (ή παρόμοιες μαγνητικές συσκευές) να είναι δίπλα στο Καρφωτικό, επειδή το Καρφωτικό διαθέτει μαγνήτη στο εσωτερικό του.**

Αν το κάνετε, θα προκληθεί βλάβη ή κίνδυνος τραυματισμού από δυσλειτουργία.

22. **Αφήνετε τη μονάδα να ξεκουράζεται μετά από συνεχή εργασία.**

23. **Το ηλεκτρικό εργαλείο είναι εξοπλισμένο με ένα κύκλωμα προστασίας θερμοκρασίας για την προστασία του ματέρ. Η συνεχής εργασία ενδέχεται να προκαλέσει την αύξηση της θερμοκρασίας της μονάδας ενεργοποιώντας το κύκλωμα προστασίας θερμοκρασίας και σταματώντας αυτόματα τη λειτουργία. Αν συμβεί αυτό, αφήστε το ηλεκτρικό εργαλείο να κρυώσει πριν το χρησιμοποιήσετε ξανά.**

24. **Το προϊόν αυτό ενδέχεται να πάψει να λειτουργεί όταν ανιχνεύσει κάποια ανωμαλία.**

25. **Μην κοιτάζετε κατευθείαν προς τη φωτεινή λυχνία.** Μια τέτοια ενέργεια ενδέχεται να προκαλέσει τραυματισμό στα μάτια σας.

Σκουπίστε τυχόν σκόνη ή ρύπους στον φακό της λυχνίας LED με ένα μαλακό ύφασμα, προσέχοντας να μη γδάρσετε τον φακό.

Οι γρατσουνιές στον φακό της λυχνίας LED μπορεί να προκαλέσουν μείωση της φωτεινότητας.

ΠΡΟΦΥΛΑΞΕΙΣ ΓΙΑ ΤΗΝ ΜΠΑΤΑΡΙΑ ΚΑΙ ΤΟΝ ΦΟΡΤΙΣΤΗ

1. **Πάντοτε φορτίζετε την μπαταρία σε θερμοκρασία μεταξύ 0–40°C.**

Μια θερμοκρασία 0°C θα προκαλέσει υπερφόρτιση κάτι το οποίο είναι επικίνδυνο. Η μπαταρία δεν μπορεί να φορτιστεί σε θερμοκρασία μεγαλύτερη των 40°C.

Η πιο κατάλληλη θερμοκρασία για φόρτιση είναι μεταξύ 20–25°C.

2. **Μην χρησιμοποιείτε τον φορτιστή συνέχεια.**

Όταν ολοκληρωθεί μια φόρτιση, αφήστε τον φορτιστή για περίπου 15 λεπτά πριν από την επόμενη φόρτιση της μπαταρίας.

3. **Μην επιτρέψετε να εισέρχονται ξένα υλικά στην οπή σύνδεσης της επαναφορτιζόμενης μπαταρίας.**

4. **Ποτέ μην αποσυναρμολογείτε την επαναφορτιζόμενη μπαταρία ή τον φορτιστή.**

5. **Ποτέ μην βραχυκυκλώνετε την επαναφορτιζόμενη μπαταρία.**

Η βραχυκύκλωση της μπαταρίας θα προκαλέσει μεγάλη τάση ηλεκτρικού ρεύματος και υπερθέρμανση. Η μπαταρία θα καεί ή θα υποστεί βλάβη.

6. **Μην απορρίπτετε την μπαταρία στην φωτιά.**

Σε περίπτωση που η μπαταρία καεί ενδέχεται να εκραγεί.

7. **Η χρήση μιας εξασθενημένης μπαταρίας θα προκαλέσει βλάβη στον φορτιστή.**

8. **Επιστρέψτε την μπαταρία στο κατάστημα από όπου την αγοράσατε μόλις η ζωή της μπαταρίας μεταφόρτισης γίνει σύντομη για πρακτική χρήση. Μην απορρίπτετε την μπαταρία που έχει εξαντληθεί.**

9. **Μην εισάγετε κάποιο αντικείμενο στις εγκοπές αερισμού του φορτιστή.**

Η τοποθέτηση μεταλλικών ή εύφλεκτων αντικειμένων στον φορτιστή θα προκαλέσει ηλεκτροπληξία ή βλάβη στον φορτιστή.

ΠΡΟΣΟΧΗ ΣΤΗΝ ΜΠΑΤΑΡΙΑ ΙΟΝΤΩΝ ΛΙΘΙΟΥ

Για την επέκταση του χρόνου διάρκειας της μπαταρίας ιόντων λιθίου υπάρχει η λειτουργία προστασίας που σταματά την ισχύς εξόδου.

Στις περιπτώσεις 1 έως 3 περιγράφονται κατωτέρω, κατά τη χρήση του προϊόντος, ακόμη και τραβάτε το διακόπτη ο κινητήρας ενδέχεται να σταματήσει. Αυτό δεν είναι το πρόβλημα αλλά το αποτέλεσμα της λειτουργίας προστασίας.

1. Όταν η υπόλοιπη ισχύς της μπαταρίας που απομένει τελειώσει, ο κινητήρας σταματάει.
Στην περίπτωση αυτή θα πρέπει να τη φορτίσετε αμέσως.
2. Εάν υπάρχει υπερφόρτιση του εργαλείου ο κινητήρας ενδεχομένως να σταματήσει. Στην περίπτωση αυτή απελευθερώστε το διακόπτη του εργαλείου και εξαλείψετε την αιτία της υπερφόρτωσης. Έπειτα από αυτό μπορείτε να το χρησιμοποιήσετε πάλι.
3. Αν η μπαταρία υπερθερμανθεί υπό το φόρτο εργασίας, η ισχύς της μπαταρίας μπορεί να σταματήσει.
Σε αυτήν την περίπτωση, διακόπτετε τη χρήση της μπαταρίας και την αφήνετε να κρυώσει. Έπειτα μπορείτε να την ξαναχρησιμοποιήσετε.

Παρακαλείστε, επίσης, να τηρείτε τις ακόλουθες προειδοποιήσεις και προφυλάξεις.

ΠΡΟΕΙΔΟΠΟΙΗΣΗ

Για να αποφύγετε τυχόν διαρροή της μπαταρίας, παραγωγή θερμότητας, εκπομπή καπνού, έκρηξη ή ανάφλεξη, πρέπει να τηρείτε τις ακόλουθες προφυλάξεις.

1. Βεβαιωθείτε ότι δεν συσσωρεύεται σκόνη στη μπαταρία.
 - Κατά την εργασία σας βεβαιωθείτε ότι δεν πέφτει σκόνη στη μπαταρία.
 - Βεβαιωθείτε ότι τυχόν σκόνες που πέφτουν πάνω στο ηλεκτρικό εργαλείο την ώρα που εργάζεστε με αυτό, δεν συσσωρεύονται στη μπαταρία.
 - Μην αποθηκεύετε αχρησιμοποίητες μπαταρίες σε σημείο εκτεθειμένο σε σκόνη.
 - Πριν να αποθηκεύσετε μία μπαταρία, απομακρύνετε τυχόν σκόνες που πιθανόν να έχουν κολλήσει πάνω της και μην την αποθηκεύετε μαζί με μεταλλικά μέρη (βίδες, καρφιά, κ.λπ.).
2. Μην τρυπάτε τη μπαταρία με αιχμηρά αντικείμενα όπως καρφιά, μην χτυπάτε με σφυρί, μην πατάτε ή πετάτε τη μπαταρία. Προφυλάξτε την από ισχυρούς κραδασμούς.
3. Μην χρησιμοποιείτε μία εμφανώς κατεστραμμένη ή παραμορφωμένη μπαταρία.
4. Μην τοποθετείτε τη μπαταρία με λάθος τρόπο.
5. Μην συνδέετε απευθείας σε ηλεκτρική πρίζα ή στην υποδοχή του αναπτήρα στα αυτοκίνητα.
6. Μην χρησιμοποιείτε τη μπαταρία για χρήση άλλη πέραν της προβλεπόμενης.
7. Σε περίπτωση που δεν ολοκληρώνεται επιτυχώς η διαδικασία φόρτισης της μπαταρίας ακόμα και όταν έχει περάσει ο καθορισμένος χρόνος επαναφόρτισης, σταματήστε αμέσως οποιαδήποτε προσπάθεια επαναφόρτισης.
8. Η μπαταρία δεν πρέπει να εκτίθεται σε υψηλή θερμοκρασία ή υψηλή πίεση, όπως στην περίπτωση φύοντων μικροκυμάτων, ξηραντήρα ή δοχείου υψηλής πίεσης.
9. Απομακρύνετε αμέσως από τη φωτιά σε περίπτωση διαρροής ή δυσσομίας.
10. Μην χρησιμοποιείτε σε περιβάλλον με έντονο στατικό ηλεκτρισμό.

11. Σε περίπτωση διαρροής της μπαταρίας, δυσσομίας, παραγωγής θερμότητας, αποχρωματισμού ή παραμόρφωσής της, ή σε περίπτωση που παρατηρηθεί κάτι μη φυσιολογικό κατά τη διάρκεια της χρήσης, της επαναφόρτισης ή της αποθήκευσης, αφαιρέστε αμέσως από τον εξοπλισμό ή από τον φορτιστή της μπαταρίας και σταματήστε να χρησιμοποιείτε.
12. Μη βυθίζετε την μπαταρία σε υγρό ή μην αφήνετε υγρά να εισχωρήσουν στο εσωτερικό της. Η εισροή αγωγίμων υγρών, όπως το νερό, μπορεί να προκαλέσει βλάβη που οδηγεί σε φωτιά ή έκρηξη. Αποθηκεύετε την μπαταρία σας σε δροσερό, ξηρό μέρος, μακριά από καύσιμα και εύφλεκτα αντικείμενα. Πρέπει να αποφεύγονται οι ατμόσφαιρες με διαβρωτικά αέρια.

ΠΡΟΣΟΧΗ

1. Εάν διαρρεύσει υγρό από τη μπαταρία και έλθει σε επαφή με τα μάτια σας, μην τα τρίψετε, αλλά ξεπλύνετε τα πολύ καλά με καθαρό νερό όπως νερό βρύσης, και επικοινωνήστε αμέσως με γιατρό.
Εάν όχι, το υγρό μπορεί να προκαλέσει προβλήματα στα μάτια σας.
2. Εάν διαρρεύσει υγρό στο δέρμα ή τα ρούχα σας, ξεπλύνετε καλά με καθαρό νερό, όπως νερό βρύσης, αμέσως.
Υπάρχει το ενδεχόμενο να ερεθιστεί το δέρμα.
3. Εάν διαπιστώσετε σκουριά, δυσσομία, υπερθέρμανση, αποχρωματισμό, παραμόρφωση, και/ή άλλες ανωμαλίες κατά τη χρήση της μπαταρίας για πρώτη φορά, μην την χρησιμοποιήσετε, αλλά επιστρέψτε την στον υπεύθυνο προμηθευτή ή πωλητή.

ΠΡΟΕΙΔΟΠΟΙΗΣΗ

Εάν ένα αγώγιμο ξένο υλικό εισχωρήσει στον ακροδέκτη της μπαταρίας ιόντων λιθίου, η μπαταρία ενδέχεται να βραχυκυκλώσει, προκαλώντας φωτιά. Κατά την αποθήκευση της μπαταρίας ιόντων λιθίου να τηρείτε με ακρίβεια τους κανονισμούς που αναφέρονται στα παρακάτω περιεχόμενα.

- Μην τοποθετείτε αγώγιμα θραύσματα, καρφιά και καλώδια, όπως σιδερένιο και χάλκινο σύρμα, στη θήκη αποθήκευσης.
- Για να αποφύγετε την πιθανότητα κάποιου βραχυκυκλώματος, τοποθετήστε την μπαταρία στο εργαλείο και βάλτε σταθερά το κάλυμμα της μπαταρίας για αποθήκευση έως ότου καλύψετε τον αεραγωγό (Εικ. 2).

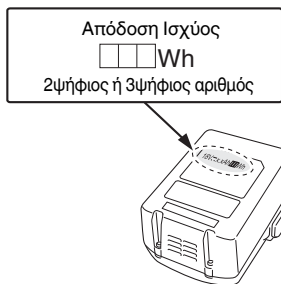
ΣΧΕΤΙΚΑ ΜΕ ΤΗ ΜΕΤΑΦΟΡΑ ΜΠΑΤΑΡΙΑΣ ΙΟΝΤΩΝ ΛΙΘΙΟΥ

Κατά τη μεταφορά μίας μπαταρίας ιόντων λιθίου, λάβετε τις ακόλουθες προφυλάξεις.

ΠΡΟΕΙΔΟΠΟΙΗΣΗ

Ειδοποιήστε την εταιρεία μεταφορών ότι μία συσκευασία περιέχει μπαταρία ιόντων λιθίου, ενημερώστε την εταιρεία για την απόδοση ισχύος της, και ακολουθήστε τις οδηγίες της εταιρείας μεταφορών κατά τη διευθέτηση της μεταφοράς.

- Οι μπαταρίες ιόντων λιθίου που υπερβαίνουν την απόδοση ισχύος των 100 Wh θεωρούνται στην κατάταξη εμπορευμάτων ως Επικίνδυνο Φορτίο και θα χρειαστείτε ειδικές διαδικασίες υποβολής αιτήσεων.
- Για μεταφορά στο εξωτερικό, πρέπει να συμμορφωθείτε με τους διεθνείς νόμους και κανόνες και κανονισμούς της χώρας προορισμού.
















ΟΝΟΜΑΣΙΕΣ ΕΞΑΡΤΗΜΑΤΩΝ (Εικ. 1 – Εικ. 12)

①	Κεφαλή εκτόξευσης (έξοδος)
②	Ράβδος
③	Λυχνία LED
④	Σκανδάλη ενεργοποίησης
⑤	Αγκιστρο
⑥	Μπαταρία
⑦	Ασφάλεια
⑧	Κάλυμμα μπαταρίας
⑨	Ακροδέκτες
⑩	Οπές εξαερισμού
⑪	Φορτιστής
⑫	Κεφαλή καρφιού
⑬	Άξονας καρφιού
⑭	Μύτη καρφιού
⑮	Μαγνήτης
⑯	Μαγνητισμένη περιοχή
⑰	Καρφί
⑱	Μονάδα πρόωθησης
⑲	Μεταλλική άρθρωση
⑳	Οπή
㉑	Βίδα
㉒	Εγκοπή
㉓	Πένσα

ΣΥΜΒΟΛΑ

ΠΡΟΕΙΔΟΠΟΙΗΣΗ

Τα παρακάτω δείχνουν τα σύμβολα που χρησιμοποιούνται στο μηχάνημα. Βεβαιωθείτε ότι κατανοείτε τη σημασία τους πριν τη χρήση.

	NH18DSL: Επαναφορτιζόμενο Καρφωτικό
	Για τον περιορισμό του κινδύνου τραυματισμού, ο χρήστης πρέπει να διαβάσει το εγχειρίδιο οδηγιών χρήσης.
	Οι χειριστές και άλλα άτομα στον χώρο εργασίας θα πρέπει να φορούν γυαλιά ασφαλείας με πλαϊνά προστατευτικά.
	Ποτέ μη στρέψετε το εργαλείο προς το μέρος σας ή προς το μέρος άλλων στον χώρο εργασίας.
	Αποσυνδέστε την μπαταρία
	Μη χρησιμοποιείτε σε σκαλωσιές, σκάλες.
	Μόνο για τις χώρες της ΕΕ Μην πετάτε τα ηλεκτρικά εργαλεία στον κάδο οικιακών απορριμμάτων! Σύμφωνα με την ευρωπαϊκή οδηγία 2012/19/ΕΕ περί ηλεκτρικών και ηλεκτρονικών συσκευών και την ενσωμάτωσή της στο εθνικό δίκαιο, τα ηλεκτρικά εργαλεία πρέπει να συλλέγονται ξεχωριστά και να επιστρέφονται για ανακύκλωση με τρόπο φιλικό προς το περιβάλλον.
	Συνεχές ρεύμα
	Βάρος (Σύμφωνα με τη Διαδικασία ΕΡΤΑ 01/2014)
	Ενεργοποίηση
	Απενεργοποίηση
	Προειδοποίηση
	Απαγορευμένη ενέργεια

ΤΕΧΝΙΚΑ ΧΑΡΑΚΤΗΡΙΣΤΙΚΑ

1. Επαναφορτιζόμενο Καρφωτικό

Μοντέλο	NH18DSL
Τάση	18 V
Αριθμός χτυπημάτων	4000 min ⁻¹
Εφαρμόσιμο Καρφί	ø1,7 – 4,1 mm (Βλέπε Πίνακας 1)*1
Μήκος Εφαρμόσιμου Καρφιού	25 mm έως 90 mm*1
Βάρος*2	1,3 – 1,9 kg
Διάσταση Ύψος x Μήκος	135 mm x 285 mm (BSL1815)

*1: Ξύλο Κόντρα: SPF (ερυθρελάτη, πεύκο, έλατο), Κέδρος
Μπορεί να μην είναι σε θέση να εισάγει πλήρως ένα καρφί σε σκληρά υλικά, όπως κώνο ερυθρελάτης, MDF ή πλαστικοποιημένη ξυλεία (laminated).

*2: Βάρος: Σύμφωνα με τη Διαδικασία-EPTA 01/2014. Ανάλογα με την προσαρτημένη μπαταρία. Το μεγαλύτερο βάρος μετρείται μαζί με το BSL36B18 (πωλείται ξεχωριστά).

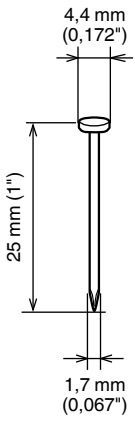
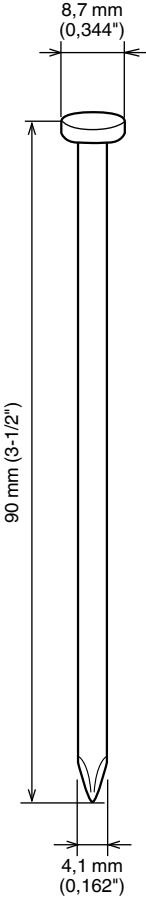
ΣΗΜΕΙΩΣΗ

Λόγω του συνεχιζόμενου προγράμματος έρευνας και ανάπτυξης της HiKOKI, τα τεχνικά χαρακτηριστικά που αναφέρονται εδώ μπορούν να αλλάξουν χωρίς προηγούμενη ειδοποίηση.

ΕΠΙΛΟΓΗ ΚΑΡΦΙΩΝ

Χρησιμοποιήστε καρφιά με τα παρακάτω μεγέθη για αυτό το Καρφωτικό.

Πίνακας 1

Ελάχ	Μέγ.
 <p>4,4 mm (0,172")</p> <p>25 mm (1")</p> <p>1,7 mm (0,067")</p>	 <p>8,7 mm (0,344")</p> <p>90 mm (3-1/2")</p> <p>4,1 mm (0,162")</p>

ΠΡΟΕΙΔΟΠΟΙΗΣΗ

- Μη χρησιμοποιείτε καρφιά σε οποιοδήποτε άλλο μέγεθος. Μπορεί να βλάψουν τη ράβδο ή να εκτοξευθούν με πλάγια κατεύθυνση.
- Προσέχετε τα μεγέθη κεφαλής των καρφιών. Το μέγεθος της κεφαλής των καρφιών μπορεί να ποικίλλει μεταξύ μεγάλου και μικρού στα εμπορικά διαθέσιμα χύμα καρφιά.
- Μη χρησιμοποιείτε σκληρυμένα καρφιά.

ΣΗΜΕΙΩΣΗ

- Μπορεί να μην είναι σε θέση να εισάγει πλήρως ένα καρφί σε σκληρά υλικά, όπως κώνο ερυθρελάτης, MDF ή πλαστικοποιημένη ξυλεία (laminiate).

ΒΑΣΙΚΑ ΕΞΑΡΤΗΜΑΤΑ

ΠΡΟΕΙΔΟΠΟΙΗΣΗ

- Αξεσουάρ διαφορετικά από αυτά που εμφανίζονται παρακάτω μπορεί να οδηγήσουν σε δυσλειτουργίες και τραυματισμούς.

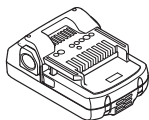


① Προστασία ματιών.....1

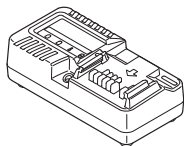
ΣΗΜΕΙΩΣΗ: Τα αξεσουάρ υπόκεινται σε αλλαγές χωρίς καμία υποχρέωση εκ μέρους της HiKOKI.

ΠΡΟΑΙΡΕΤΙΚΑ ΕΞΑΡΤΗΜΑΤΑ (ΠΩΛΟΥΝΤΑΙ ΞΕΧΩΡΙΣΤΑ)

- Μπαταρία
 - BSL1815



- Φορτιστής
 - UC18YKSL (Τάση φόρτισης: 14,4 V – 18 V)



Τα προαιρετικά εξαρτήματα υπόκεινται σε αλλαγή χωρίς προειδοποίηση.

ΕΦΑΡΜΟΓΕΣ

- Ξύλινα υλικά σε γενικές κατασκευές, προσαρμογές, ξύλινα καταστρώματα, πλαίσια και ανακαινίσεις

ΦΟΡΤΙΣΗ

Η μπαταρία και ο φορτιστής μπαταρίας δεν συμπεριλαμβάνονται μαζί με αυτό το προϊόν. Για τις επαναφορτιζόμενες μπαταρίες, φορτίστε σύμφωνα με τις οδηγίες χειρισμού του φορτιστή που χρησιμοποιείτε. (Εικ. 5)

ΣΤΕΡΕΩΣΗ ΚΑΙ ΛΕΙΤΟΥΡΓΙΑ

Ενέργεια	Εικόνα	Σελίδα
Τοποθέτηση και αφαίρεση της μπαταρίας	3	2
Λειτουργία διακόπτη	4	2
Φόρτιση	5	3
Έλεγχος λειτουργίες ράβδου*1	6	3
Εκτόξευση κρατώντας ένα καρφί με τον μαγνήτη*2	7	3
Εκτόξευση κρατώντας ένα καρφί με τα δάχτυλα.*3	8	3
Τοποθέτηση ενός καρφιού στη μεταλλική άρθρωση*4	9	4
Χρήση του άγκιστρου*5	10	4

Αποκατάσταση μιας εμπλοκής	11	4
Επιλογή εξαρτημάτων	—	199

*1 ΠΡΟΕΙΔΟΠΟΙΗΣΗ

- Ελέγξτε για να βεβαιωθείτε ότι η ράβδος ολισθαίνει ομαλά όταν λειτουργεί. Καθαρίστε την περιοχή ολίσθησης στη ράβδο αν δεν ολισθαίνει ομαλά.

*2 ΠΡΟΕΙΔΟΠΟΙΗΣΗ

- Κατά την τοποθέτηση ενός καρφιού στη ράβδο, κρατήστε τον άξονα του καρφιού και όχι τη μύτη.
- Κατά την τοποθέτηση ενός καρφιού στη ράβδο, φροντίστε ώστε να μην πιέσετε το άκρο της μονάδας πρόωθησης.
- Κατά την τοποθέτηση ενός καρφιού στη ράβδο, μη βάζετε τα δάχτυλά σας ή τα χέρια σας κάτω από τη μύτη του καρφιού.

*3 ΠΡΟΕΙΔΟΠΟΙΗΣΗ

- Κατά την εκτόξευση ενός καρφιού κρατώντας το με τα δάχτυλα, τοποθετήστε πρώτα τη μύτη του καρφιού σε έναν στόχο, και στη συνέχεια τοποθετήστε τη ράβδο στην κεφαλή του καρφιού.

*4 ΠΡΟΕΙΔΟΠΟΙΗΣΗ

- Κατά την εκτόξευση ενός καρφιού, βεβαιωθείτε ότι η μύτη του καρφιού βρίσκεται μέσα στην οπή της μεταλλικής άρθρωσης.

*5 ΠΡΟΣΟΧΗ

- Κατά τη χρήση του άγκιστρου, σηκώστε προς τα πάνω το ηλεκτρικό εργαλείο σταθερά, ώστε να μην πέσει κατά λάθος. Εάν το εργαλείο πέσει, μπορεί να προκληθεί ατύχημα.
- Βεβαιωθείτε ότι έχετε αφαιρέσει την μπαταρία όταν χρησιμοποιείτε το άγκιστρο.
- Τοποθετήστε με ασφάλεια το άγκιστρο. Εάν το άγκιστρο δεν τοποθετηθεί με ασφάλεια, ενδέχεται να προκληθεί τραυματισμός κατά την χρήση.

ΠΡΟΣΟΧΗ

Κατά την εκτόξευση ενός καρφιού, λειτουργείστε το για μικρό χρονικό διάστημα και αποφύγετε τη συνεχή εργασία. Διαφορετικά μπορεί να προκληθεί βλάβη ή διαρροή γράσου.

ΣΥΝΤΗΡΗΣΗ ΚΑΙ ΕΛΕΓΧΟΣ

ΠΡΟΣΟΧΗ

Βεβαιωθείτε ότι έχετε αφαιρέσει την μπαταρία από το Καρφωτικό πριν τη συντήρηση και την επιθεώρηση.

ΠΡΟΕΙΔΟΠΟΙΗΣΗ

- Αποσυνδέστε την μπαταρία και αφαιρέστε το καρφί από το Καρφωτικό όταν:
 - 1) κάνετε συντήρηση και επιθεώρηση, και
 - 2) αποκαθιστάτε μια εμπλοκή.
- Χωρίς να έχετε συνδέσει την μπαταρία, ελέγξτε εάν η ράβδος κινείται σταθερά πατώντας το άκρο της ράβδου πάνω σε ένα υλικό όπως ξύλο.

1. Αποκατάσταση μιας εμπλοκής (Εικ. 11)

- ① Αφαιρέστε την μπαταρία από το Καρφωτικό.
- ② Αφαιρέστε το καρφί που έχει εμπλακεί με μια πένα.
- ③ Σε περίπτωση συχνής εμπλοκής, επικοινωνήστε με ένα εξουσιοδοτημένο κέντρο εξυπηρέτησης της HiKOKI.

2. Επιθεώρηση ράβδου (Εικ. 6)

Καθαρίζετε και λιπαίνετε περιοδικά το τμήμα ολίσθησης της ράβδου και της υποδοχής.

Ελέγξτε εάν η ράβδος κινείται ομαλά πνέζοντας το Καρφωτικό σε ένα υλικό όπως ξύλο.

Όταν σκόνης σιδήρου ή παρόμοια προσκολλώνται στη μαγνητιαμένη περιοχή εντός της ράβδου, η δύναμη μαγνήτισης ενός καρφιού μπορεί να μειωθεί. Σκουπίζετε για να καθαρίσετε την περιοχή με ένα πανί ή με αυτοκόλλητη ταινία μερικές φορές.

Επίσης, καθαρίζετε μερικές φορές τη σκόνη σιδήρου στον μαγνήτη εκτός της ράβδου με ύφασμα ή αυτοκόλλητη ταινία.

Κάνει τη λειτουργία της ράβδου ομαλή.

3. Έλεγχος των βιδών στερέωσης

Τακτικά ελέγξτε όλες τις βίδες στερέωσης και σιγουρευτείτε ότι είναι κατάλληλα σφικγμένες. Σε περίπτωση που κάποιες από τις βίδες χαλαρώσουν, ξανασφίξτε τις αμέσως. Αν δεν το κάνετε αυτό μπορεί να προκληθεί σοβαρός κίνδυνος.

4. Συντήρηση του μοτέρ

Η περιέλιξη στη μονάδα του μοτέρ είναι η "καρδιά" του ηλεκτρικού εργαλείου.

Δώστε μεγάλη προσοχή για να διασφαλίσετε ότι η περιέλιξη δεν θα πάθει ζημιά και / ή θα βραχεί με λάδι ή νερό.

5. Καθαρισμός του εξωτερικού μέρους

Όταν το ηλεκτρικό εργαλείο είναι λερωμένο, να το σκουπίζετε με ένα μαλακό στεγνό πανί ή με ένα πανί μουσκεμένο σε σαπουνόνερο. Μη χρησιμοποιείτε διαλυτικά χλωρίνης, βενζίνη ή διαλυτικό χρώματος για να μην καταστραφούν τα πλαστικά μέρη.

6. Αποθήκευση

Αποθηκεύετε το ηλεκτρικό εργαλείο και την μπαταρία σε χώρο όπου η θερμοκρασία είναι μικρότερη από 40°C και μακριά από την πρόσβαση παιδιών.

ΣΗΜΕΙΩΣΗ

Αποθήκευση Μπαταριών Ιόντων Λιθίου.

Βεβαιωθείτε ότι οι μπαταρίες ιόντων λιθίου είναι πλήρως φορτισμένες πριν να τις αποθηκεύσετε.

Τυχόν παρατεταμένη αποθήκευση (3 μήνες ή παραπάνω) μπαταριών με χαμηλό φορτίο μπορεί να έχει ως αποτέλεσμα την υποβάθμιση της απόδοσης, μειώνοντας σημαντικά τον χρόνο χρήσης της μπαταρίας ή καθιστώντας τις μπαταρίες ανίκανες στην κατακράτηση φορτίου.

Ωστόσο, ο σημαντικά μειωμένος χρόνος χρήσης της μπαταρίας μπορεί να ανακτηθεί με την επαναληπτική φόρτιση και χρήση των μπαταριών δυο έως πέντε φορές.

Εάν ο χρόνος χρήσης της μπαταρίας είναι εξαιρετικά σύντομος παρά την επανειλημμένη φόρτιση και χρήση, εξετάστε τις μπαταρίες.

ΠΡΟΣΟΧΗ

Κατά τον έλεγχο και την συντήρηση των ηλεκτρικών εργαλείων, οι κανόνες ασφαλείας και οι κανονισμοί που υπάρχουν σε κάθε χώρα πρέπει να ακολουθούνται.

Σημαντική ειδοποίηση για τις μπαταρίες στα ηλεκτρικά εργαλεία της HiKOKI χωρίς καλώδιο

Να χρησιμοποιείτε πάντα μία από τις καθορισμένες γνήσιες μπαταρίες. Δεν μπορούμε να εγγυηθούμε την ασφάλεια και την απόδοση του ηλεκτρικού μας εργαλείου όταν χρησιμοποιείτε μπαταρίες που είναι διαφορετικές από αυτές που έχουν σχεδιαστεί από εμάς, ή όταν η μπαταρία είναι αποσυρμολογημένη ή τροποποιημένη (λόγω αποσυρμολογήσης ή αντικατάστασης στοιχείων ή άλλων εσωτερικών μερών).

ΕΓΓΥΗΣΗ

Εγγυώμαστε τα εργαλεία HiKOKI Power Tools σύμφωνα με τη νομοθεσία και τους κανονισμούς ανά χώρα. Η παρουσία εγγύηση δεν καλύπτει ελαττώματα ή ζημιές λόγω κακής χρήσης, κακοποίησης ή φυσιολογικής φθοράς. Σε περίπτωση παραπόνων παρακαλούμε αποστείλετε το Power Tool χωρίς να το αποσυρμολογήσετε μαζί με το ΠΙΣΤΟΠΟΙΗΤΙΚΟ ΕΓΓΥΗΣΗΣ το οποίο βρίσκεται στο τέλος των οδηγιών αυτών, σε Εξουσιοδοτημένο Κέντρο Επισκευής της HiKOKI.

Πληροφορίες που αφορούν τον εκπεμπόμενο θόρυβο και τη δόνηση

Οι τιμές μετρήθηκαν σύμφωνα με το EN62841 και βρέθηκαν σύμφωνα με το ISO 4871.

Μετρηθείσα στάθμη ηχητικής ισχύος A: 107 dB (A)

Μετρηθείσα στάθμη ηχητικής πίεσης A: 96 dB (A)

Αβεβαιότητα K: 3 dB (A).

Φοράτε προστατευτικά αυτιών.

Συνολικές τιμές δόνησης (διανυσματικό άθροισμα τριαξονικού καλωδίου) που καθορίζονται σύμφωνα με το πρότυπο EN62841

Τιμή εκπομπής δόνησης: 15,5 m/s²

Αβεβαιότητα K = 1,5 m/s²

Η δηλωμένη συνολική τιμή κραδασμών και η δηλωμένη τιμή εκπομπής θορύβου έχουν μετρηθεί σύμφωνα με μια τυπική μέθοδο δοκιμής και μπορούν να χρησιμοποιηθούν για τη σύγκριση ενός εργαλείου με ένα άλλο.

Μπορούν επίσης να χρησιμοποιηθούν σε μια προκαταρκτική αξιολόγηση της έκθεσης.

ΠΡΟΕΙΔΟΠΟΙΗΣΗ

- Η εκπομπή κραδασμών και θορύβου κατά την πραγματική χρήση του ηλεκτρικού εργαλείου μπορεί να διαφέρει από τη δηλωμένη συνολική τιμή, ανάλογα με τους τρόπους χρήσης του εργαλείου, ειδικά το είδος του προς επεξεργασία τεμαχίου εργασίας και
- Καθορίστε μέτρα ασφαλείας για την προστασία του χειριστή που βασίζονται σε μία εκτίμηση της έκθεσης στις πραγματικές συνθήκες χρήσης (λαμβάνοντας υπόψη όλα τα μέρη του κύκλου λειτουργίας όπως τον χρόνο που το εργαλείο είναι κλειστό και το διάστημα όπου είναι σε ανενεργό εκτός από τον χρόνο της σκανδάλης).

ΣΗΜΕΙΩΣΗ

Εξαιτίας του συνεχιζόμενου προγράμματος έρευνας και ανάπτυξης της HiKOKI τα τεχνικά χαρακτηριστικά που εδώ αναφέρονται μπορούν να αλλάξουν χωρίς προηγούμενη ειδοποίηση.

OGÓLNE WSKAZÓWKI BEZPIECZEŃSTWA DOTYCZĄCE ELEKTRONARZĘDZI

⚠ OSTRZEŻENIE

Należy zapoznać się ze wszystkimi wskazówkami bezpieczeństwa, instrukcjami, ilustracjami i danymi technicznymi tego elektronarzędzia.

Nieprzestrzeganie wszystkich wymienionych poniżej instrukcji może być przyczyną porażenia prądem, pożaru i/lub poważnych obrażeń.

Ostrzeżenia i wskazówki bezpieczeństwa należy zachować do wglądu.

Wykorzystywane w treści wskazówek bezpieczeństwa określenie „elektronarzędzie” odnosi się do narzędzi zasilanych z sieci elektrycznej (przewodowych) lub z akumulatora (bezprowodowych).

1) Bezpieczeństwo na stanowisku pracy

- Stanowisko pracy należy utrzymywać w czystości i odpowiednio oświetlać. Nieporządek lub nieodpowiednie oświetlenie stanowiska pracy może być przyczyną wypadków.
- Elektronarzędzi nie należy użytkować w miejscach zagrożonych wybuchem, na przykład w pobliżu łatwopalnych cieczy, gazów lub pyłów. Pracujące elektronarzędzie wytwarza iskry, które mogą spowodować zapłon pyłu lub oparów.
- Dzieci oraz osoby postronne powinny pozostawać z dala od pracującego elektronarzędzia. Dekoncentracja może być przyczyną utraty kontroli nad elektronarzędziem.

2) Bezpieczeństwo elektryczne

- Wtyczka elektronarzędzia musi pasować do gniazda sieciowego. Wtyczki nie wolno w jakikolwiek sposób modyfikować. Elektronarzędzia posiadające uziemienie nie powinny być użytkowane z wtyczkami przejściowymi. Użytkowanie niemodyfikowanych wtyczek oraz korzystanie z odpowiednich gniazd sieciowych zmniejsza ryzyko porażenia prądem.
- Należy unikać kontaktu z powierzchniami jakichkolwiek uziemionych elementów, takich jak rury, grzejniki, kuchenki lub chłodziarki. Ryzyko porażenia prądem wzrasta, gdy ciało jest uziemione.
- Elektronarzędzi nie wolno narażać na działanie deszczu lub wilgoci. Obecność wody wewnątrz elektronarzędzia zwiększa ryzyko porażenia prądem.
- Przewodu zasilającego nie wolno używać w sposób niezgodny z jego przeznaczeniem. Przewodu zasilającego nie wolno używać do przenoszenia bądź ciągnięcia elektronarzędzia, ani do odłączania go od zasilania. Przewód zasilający należy chronić przed kontaktem ze źródłami ciepła, olejem, ostrymi krawędziami lub poruszającymi się częściami. Uszkodzony lub zapętlony przewód zasilający zwiększa ryzyko porażenia prądem.
- W przypadku użytkowania elektronarzędzia na wolnym powietrzu należy korzystać z przedłużaczy do tego celu przeznaczonych. Używanie przedłużaczy przeznaczonych do pracy na wolnym powietrzu zmniejsza ryzyko porażenia prądem.

- Jeżeli praca elektronarzędziem musi być wykonywana w miejscu o dużej wilgotności, należy zawsze korzystać ze źródła zasilania zabezpieczonego wyłącznikiem różnicowoprądowym. Korzystanie z wyłącznika różnicowoprądowego zmniejsza ryzyko porażenia prądem.

3) Bezpieczeństwo osobiste

- Podczas użytkowania elektronarzędzia należy zachowywać ostrożność, koncentrować się na wykonywanej pracy i postępować zgodnie z zasadami zdrowego rozsądku. Elektronarzędzia nie powinny być użytkowane przez osoby zmęczone lub znajdujące się pod wpływem substancji odurzających, alkoholu bądź leków. Stosowane – odpowiednio do panujących warunków – wyposażenie ochronne, takie jak maska przeciwpyłowa, obuwie antypoślizgowe, kask lub słuchawki ochronne, zmniejsza ryzyko odniesienia obrażeń.
- Należy używać wyposażenia ochronnego. Należy zawsze nosić okulary ochronne. Stosowane – odpowiednio do panujących warunków – wyposażenie ochronne, takie jak maska przeciwpyłowa, obuwie antypoślizgowe, kask lub słuchawki ochronne, zmniejsza ryzyko odniesienia obrażeń.
- Należy unieemożliwić przypadkowe uruchomienie. Przed podłączeniem elektronarzędzia do gniazda zasilania i/lub zestawu akumulatorowego, a także przed podniesieniem lub przeniesieniem go, należy upewnić się, że wyłącznik znajduje się w położeniu wyłączenia. Ze względów bezpieczeństwa nie należy przenosić elektronarzędzi, trzymając palec na wyłączniku, ani podłączać do zasilania elektronarzędzi, których wyłącznik znajduje się w położeniu włączenia.
- Przed włączeniem elektronarzędzia usunąć wszystkie klucze regulacyjne. Pozostawienie klucza regulacyjnego połączonego z częścią obrotową elektronarzędzia może być przyczyną obrażeń.
- Nie sięgać elektronarzędziem zbyt daleko. Należy zawsze pamiętać o stabilnej postawie i zachowaniu równowagi. Zapewnia to lepsze panowanie nad elektronarzędziem w nieoczekiwanych sytuacjach.
- Należy nosić odpowiednią odzież. Nie nosić luźnej odzieży ani biżuterii. Chronić włosy i odzież przed kontaktem z ruchomymi częściami urządzenia. Luźna odzież, biżuteria lub długie włosy mogą zostać pochwycone i wciągnięte przez ruchome części narzędzia.
- Jeżeli elektronarzędzie wyposażone jest w złącze dla urządzenia do odprowadzania i gromadzenia pyłów, należy pamiętać o właściwym podłączeniu i poprawnym użytkowaniu takiego urządzenia. Korzystanie z urządzeń do odprowadzania i gromadzenia pyłu zmniejsza zagrożenia związane z obecnością pyłu.
- Nie pozwól, aby wprawa osiągnięta w wyniku częstego korzystania z narzędzi pozwalała na beztroskę i ignorowanie zasad bezpieczeństwa narzędzi. Nieostrożne działanie może spowodować poważne obrażenia w ciągu ułamka sekundy.

- 4) Obsługa i konserwacja elektronarzędzia
- Nie używać elektronarzędzia ze zbyt dużą siłą. Należy wykorzystywać elektronarzędzie odpowiednie dla wykonywanej pracy.
Elektronarzędzie przeznaczone do wykonania określonej pracy wypełni swoje zadanie lepiej i w sposób bardziej bezpieczny, jeżeli praca będzie wykonywana z zalecaną prędkością.
 - Nie należy użytkować elektronarzędzia, którego wyłącznik jest uszkodzony.
Każde elektronarzędzie, które nie może być właściwie włączane ani wyłączane, stanowi zagrożenie i musi zostać naprawione.
 - Przed przystąpieniem do jakichkolwiek regulacji bądź wymiany akcesoriów oraz kiedy elektronarzędzie nie będzie używane przez dłuższy czas, należy odłączyć wtyczkę elektronarzędzia od źródła zasilania i/ lub odłączyć od elektronarzędzia zestaw akumulatorowy (jeśli jest to możliwe).
Powyższe środki bezpieczeństwa mają na celu wyeliminowanie ryzyka przypadkowego uruchomienia urządzenia.
 - Nie używane elektronarzędzia powinny być przechowywane w miejscu niedostępnym dla dzieci; osobom, które nie znają zasad obsługi elektronarzędzi lub niniejszych zaleceń nie wolno udzielać pozwolenia na użytkowanie elektronarzędzia.
Użytkowanie elektronarzędzi przez osoby, które nie zostały właściwie poinstruowane, może stanowić zagrożenie.
 - Elektronarzędzia i akcesoria należy konserwować. Przed rozpoczęciem pracy należy sprawdzić, czy ruchome części są poprawnie umieszczone, czy nie są zakleszczone lub uszkodzone i czy nie występują jakiegokolwiek inne okoliczności, które mogłyby uniemożliwić bezpieczną pracę elektronarzędzia. W razie uszkodzenia przed kolejnym użyciem elektronarzędzie musi zostać naprawione.
Wiele wypadków następuje z powodu nieprawidłowej konserwacji elektronarzędzi.
 - Narzędzia tnące powinny być zawsze ostre i czyste.
Narzędzia tnące powinny być utrzymywane we właściwym stanie, z odpowiednio ostrymi krawędziami tnącymi – zmniejsza to ryzyko zakleszczenia narzędzia i ułatwia kontrolę nad nim.
 - Elektronarzędzia, akcesoria, wiertła, narzędzia tnące itp. należy zawsze obsługiwać w sposób zgodny z zaleceniami niniejszej instrukcji, biorąc pod uwagę warunki robocze oraz rodzaj wykonywanej pracy.
Używanie elektronarzędzia w celach niezgodnych z jego przeznaczeniem może stanowić zagrożenie.
 - Utrzymywać uchwyty i powierzchnie chwytania suche, czyste i wolne od oleju i smaru.
Słiskie uchwyty i powierzchnie chwytania uniemożliwiają bezpieczną obsługę i kontrolę narzędzia w nieoczekiwanych sytuacjach.
- 5) Obsługa i konserwacja elektronarzędzia akumulatorowego
- Do ładowania można wykorzystywać wyłącznie ładowarki wymienione przez producenta.
Ładowarka właściwa dla ładowania konkretnego typu zestawów akumulatorowych może wywołać pożar, jeśli zostanie użyta do ładowania innego typu zestawów akumulatorowych.
 - Do zasilania elektronarzędzi należy używać wyłączanych przeznaczonych dla nich zestawów akumulatorowych.
Używanie innych zestawów akumulatorowych może być przyczyną obrażeń lub pożaru.
 - Jeśli zestaw akumulatorowy nie jest używany, należy go przechowywać z dala od innych metalowych przedmiotów, takich jak spinacze do papieru, monety, klucze, gwoździe, śruby, bądź inne niewielkie metale przedmioty, które mogą spowodować zwarcie zacisków.
Zwarcie zacisków akumulatora może być przyczyną poparzeń lub pożaru.
 - W skrajnie niesprzyjających warunkach może dojść do wycieku elektrolitu z akumulatora – należy unikać kontaktu z elektrolitem. Jeśli dojdzie do przypadkowego kontaktu z elektrolitem, miejsce kontaktu należy przepłukać wodą. W przypadku kontaktu elektrolitu z oczami należy dodatkowo zgłosić się do lekarza.
Elektrolit wyciekający z akumulatora może powodować podrażnienia lub poparzenia.
 - Nie korzystać z zestawu akumulatorowego ani narzędzia, które uległy uszkodzeniu lub zostały zmodyfikowane.
Uszkodzone lub zmodyfikowane akumulatory mogą działać w nieprzewidywalny sposób i w konsekwencji prowadzić do pożaru, wybuchu lub ryzyka obrażeń.
 - Nie wystawiać zestawu akumulatorowego ani narzędzia na działanie ognia lub nadmiernej temperatury.
Narażenie na działanie ognia lub temperatury powyżej 130°C może spowodować wybuch.
 - Postępować zgodnie ze wszystkimi instrukcjami ładowania i nie ładować zestawu akumulatorowego ani narzędzia poza zakresem temperatury podanym w instrukcjach.
Ładowanie nieprawidłowo lub w temperaturze wykraczającej poza podany zakres może spowodować uszkodzenie akumulatora i zwiększyć ryzyko pożaru.
- 6) Serwis
- Elektronarzędzia mogą być serwisowane wyłącznie przez wykwalifikowanych techników serwisowych, z zastosowaniem oryginalnych części zamiennych.
Jest to gwarancją utrzymania bezpieczeństwa obsługi elektronarzędzia.
 - Nigdy nie należy naprawiać uszkodzonych zestawów akumulatorowych.
Naprawa zestawów akumulatorowych powinna być przeprowadzana wyłącznie przez producenta lub autoryzowane centrum serwisowe.
- UWAGA**
Dzieci oraz osoby niepełnosprawne powinny pozostawać z dala od pracującego elektronarzędzia. Nie używane elektronarzędzia powinny być przechowywane w miejscu niedostępnym dla dzieci i osób niepełnosprawnych.

WSKAZÓWKI BEZPIECZEŃSTWA DOTYCZĄCE AUTOMATYCZNEGO AKUMULATOROWEGO WBIJAKA DO GWOŹDZI

- Zawsze należy zakładać, że w narzędziu znajdują się gwoździe.**
Nieostrożne obchodzenie się z automatycznym wbijakiem do gwoździ może spowodować nagłe wystrzelenie gwoździ i obrażenia ciała.
- Nie kierować narzędzia w kierunku do siebie, ani żadnych osób znajdujących się w pobliżu.**
Niezamierzone wciśnięcie przełącznika spustowego narzędzia spowoduje wystrzelenie gwoździ i obrażenia ciała.
- Nie uruchamiać narzędzia, jeśli nie jest ono mocno przyłożone do obrabianego elementu.**
Jeśli narzędzie nie styka się z obrabianym przedmiotem, gwoźdź może odbić się rykoszetem i nie trafić w żądane miejsce.
- Odłączyć narzędzie od źródła zasilania, jeśli gwoźdź zablokuje się w narzędziu.**
Podczas usuwania zablokowanego gwoździ może dojść do przypadkowego uruchomienia automatycznego wbijaka do gwoździ, jeśli będzie ona podłączona do zasilania.
- Nie używać automatycznego wbijaka do gwoździ do mocowania kabli elektrycznych.**
Gwoździarka nie jest przeznaczona do instalacji kabli elektrycznych i może uszkodzić ich izolację, powodując porażenie prądem lub ryzyko pożaru.
- Nosić słuchawki ochronne**
Ekspozycja na hałas może być przyczyną utraty słuchu.
- Jeżeli uchwyt(y) pomocniczy(-e) jest (są) dostarczone z elektronarzędziem, należy go (ich) używać.**
Utrata kontroli może być przyczyną obrażeń.
- Jeżeli w czasie wykonywanej pracy element mocujący może wejść w kontakt z niewidocznym okablowaniem elektrycznym, elektronarzędzie należy trzymać za izolowane powierzchnie.**
Element mocujący, który wejdzie w kontakt z przewodem pod napięciem, może spowodować, że nieizolowane części elektronarzędzia znajdują się pod napięciem, co grozi porażeniem operatora prądem.

DODATKOWE WSKAZÓWKI BEZPIECZEŃSTWA

- Należy pamiętać, aby w czasie pracy elektronarzędzie trzymać mocno i pewnie.**
W przeciwnym wypadku może dojść do wypadków lub obrażeń. (Rys. 12)
- Bezpieczna obsługa dzięki prawidłowemu użytkowaniu.**
To narzędzie jest przeznaczone do wbijania gwoździ w drewno i podobne materiały. Należy go używać wyłącznie zgodnie z przeznaczeniem.
- Zachować ostrożność, aby nie wywołać zapłonu i wybuchu.**
Ponieważ podczas wbijania gwoździ mogą powstawać iskry, używanie tego narzędzia w pobliżu lakieru, farby, benzyny, rozcieńczalnika, gazu, klejów i podobnych łatwopalnych substancji jest niebezpieczne, ponieważ takie substancje mogą się zapalić lub eksplodować. Z tego powodu tego narzędzia nie wolno pod żadnym pozorem używać w pobliżu takich łatwopalnych materiałów.

- Należy zawsze korzystać ze środków ochrony wzroku (okularów ochronnych).**



Podczas obsługi tego elektronarzędzia należy zawsze korzystać ze środków ochrony wzroku i dopilnować, aby osoby znajdujące się w pobliżu również korzystały ze środków ochrony wzroku.

- Istnieje ryzyko, że fragmenty nieprawidłowo wbitego gwoździą trafią kogoś w oko, co stanowi zagrożenie dla wzroku. Środki ochrony wzroku można zakupić w dowolnym sklepie z narzędziami. Podczas obsługi tego narzędzia należy zawsze korzystać ze środków ochrony wzroku. Używać okularów ochronnych lub szerokiej przezroczystej maski założonej na okulary korekcyjne. Pracodawcy są zobowiązani dopilnować, by pracownicy zawsze stosowali środki ochrony wzroku.
- Korzystać ze środków ochrony słuchu i głowy.**
Podczas wbijania gwoździ należy zawsze korzystać z ochronników słuchu i kasku. Poza tym, w zależności od okoliczności, dopilnować, aby osoby znajdujące się w pobliżu również korzystały z ochronników słuchu i kasków.
 - Należy zwracać uwagę na osoby pracujące w pobliżu.**
Trafienie innej osoby nieprawidłowo wbijanym gwoździem byłoby bardzo niebezpieczne. Z tej przyczyny podczas korzystania z tego narzędzia należy zawsze zwracać uwagę na bezpieczeństwo osób w pobliżu. Zawsze dopilnować, by wylot gwoździ narzędzia nie znajdował się w pobliżu ciała, dłoni lub stopy jakiegokolwiek.
 - Nigdy nie kierować wylotu gwoździ w kierunku osób.**



Zawsze zakładać, że w narzędziu znajdują się elementy mocujące.

- Jeśli wylot gwoździ będzie na kogoś skierowany, omyłkowe uruchomienie narzędzia może stać się przyczyną poważnego wypadku. Podczas podłączania lub odłączania akumulatora, podczas wkładania gwoździ lub podobnych czynności, dopilnować, aby wylot gwoździ nie był skierowany w stronę żadnej osoby (wliczając siebie). Nawet jeśli w narzędziu nie ma żadnych gwoździ, uruchamianie narzędzia skierowanego w stronę jakiegokolwiek osoby jest niebezpieczne, dlatego nigdy nie wolno tego robić. Nie wolno bawić się narzędziem. To narzędzie pracy należy szanować.
- Sprawdzić końcówkę roboczą przed użyciem.**
Sprawdzić, czy końcówka robocza działa prawidłowo. Nigdy nie używać automatycznego wbijaka do gwoździ, jeśli końcówka robocza nie działa prawidłowo, ponieważ w przeciwnym razie może dojść do nieoczekiwanego wbita gwoździ. Nie manipulować końcówką roboczą ani jej nie demontować, ponieważ w przeciwnym razie nie będzie ona nadawać się do użytku.
 - Używać wyłącznie wyznaczonych gwoździ.**
Nigdy nie używać gwoździ innych niż podane i opisane w niniejszej instrukcji.
 - Zachować ostrożność podczas podłączania akumulatora.**
Aby przypadkowo nie uruchomić narzędzia podczas podłączania akumulatora i ładowania gwoździ, należy przestrzegać poniższych zaleceń.
 - Nie dotykać przełącznika spustowego.
 - Nie dopuścić, aby głowica gwoździarki dotykała jakiegokolwiek powierzchni.
 - Trzymać głowicę gwoździarki skierowaną w dół. Ścisłe przestrzegać powyższych zaleceń i zawsze dopilnowywać, aby żadna część ciała, dłoni ani nog nie znajdowała się naprzeciwko wylotu gwoździ.

11. Nie umieszczać nieostrośnie palca na przełączniku spustowym.

Nie kładź palca na przełączniku spustowym, jeśli właśnie nie wbija się gwoździ. Przenoszenie tego narzędzia lub przekazywanie go innej osobie z palcem umieszczonym na przełączniku spustowym, może spowodować przypadkowe wystrzelenie gwoździa i wypadek.

12. Mocno docisnąć wylot gwoździ do materiału, w który ma zostać wbity gwoździ.

Podczas wbijania gwoździ mocno dociskać wylot gwoździ do materiału, w który ma zostać wbity gwoździ. Jeśli wylot nie zostanie docisnięty prawidłowo, gwoździ może odbić się rykoszetem.

13. Trzymać dłonie i stopy z dala od głowicy gwoździarki podczas korzystania z narzędzia.



Przypadkowe trafienie gwoździem w dłoń lub stopę jest bardzo niebezpieczne.

14. Uważać na odrzut narzędzia.

Nie zbliżać głowy itp. do górnej powierzchni narzędzia podczas jego użytkowania. Jest to niebezpieczne, ponieważ narzędzie może gwałtownie odskoczyć, jeśli właśnie wbijany gwoździ natrafi na wcześniej wbity gwoździ lub sęk w drewnie.

15. Zachować ostrożność podczas wbijania gwoździ w cienkie deski lub drewniane narożniki.

Podczas wbijania gwoździ w cienkie deski gwoździe mogą przechodzić przez nie na wylot. To samo może mieć miejsce podczas wbijania gwoździ w narożniki z drewna z uwagi na odchylenie przebiegu gwoździ. W takich przypadkach należy zawsze dopilnować, aby nikt (ani nicyje dłonie lub stopy, itp.) nie znajdował się za cienką deską lub obok drewnianego elementu, w który ma zostać wbity gwoździ.

16. Jednoczesne wbijanie gwoździ z obu stron jednej ściany jest niebezpieczne.

Pod żadnym pozorem nie wolno jednocześnie wbijać gwoździ z obu stron jednej ściany. Jest to bardzo niebezpieczne, ponieważ gwoździe mogą przejść na wylot przez ścianę i spowodować obrażenia ciała.

17. Nie używać tego elektronarzędzia na rusztowaniach, ani na drabinach.

Tego elektronarzędzia nie wolno używać do pewnych zastosowań, na przykład:

- jeśli zmiana miejsca wbijania gwoździ wiąże się z korzystaniem z rusztowań, schodów, drabin lub konstrukcji zbliżonych do drabin, np. konstrukcji dachowych,
- do zamykania gwoździami pudełek lub skrzyń,
- do mocowania systemów zabezpieczających na czas transportu np. na pojazdach i wagonach

18. Usunąć wszystkie pozostałe gwoździe i wyjąć akumulator z wbiaka do gwoździ:

- 1) przed rozpoczęciem czynności konserwacyjnych i przeglądu;
- 2) przed sprawdzaniem prawidłowego działania końcówki roboczej i przełącznika spustowego;
- 3) przed usunięciem zablokowanego gwoździ;
- 4) gdy narzędzie nie jest w użyciu;
- 5) w przypadku opuszczania miejsca pracy;
- 6) przed przeniesieniem narzędzia w inne miejsce; oraz
- 7) przed przekazaniem narzędzia innej osobie.

Nigdy nie próbować usuwać zakleszczenia ani naprawiać automatycznego wbiaka do gwoździ przed odłączeniem od niej akumulatora i usunięciem z niej wszystkich pozostałych gwoździ.

Automatycznego wbiaka do gwoździ nie wolno nigdy pozostawiać bez nadzoru, ponieważ osoby nie zaznajomione z gwoździarką mogą jej użyć i się zranić.

19. Do czyszczenia elektronarzędzia nie używać benzyny ani innych łatwopalnych cieczy.

Jeśli opary łatwopalnej cieczy przedostaną się do elektronarzędzia, istnieje ryzyko, że iskry powstałe podczas wbijania gwoździ itp. spowodują wybuch.

20. Temperatura otoczenia przy eksploatacji tego narzędzia musi mieścić się w zakresie od 0°C do 40°C i należy tego przestrzegać. Urządzenie może nie działać w temperaturze poniżej 0°C lub powyżej 40°C.

21. NIGDY nie zezwalać, aby magnesy (lub podobne urządzenia magnetyczne) znajdowały się w bezpośredniej bliskości automatycznego wbiaka do gwoździ, ponieważ w gwoździarkę wbudowany jest magnes.

W przeciwnym razie dojdzie do awarii lub wystąpienia ryzyka obrażeń ciała spowodowanego usterką.

22. Przerwa po okresie ciągłej pracy elektronarzędzia.

23. Elektronarzędzie wyposażone jest w układ zabezpieczający przed przegrzaniem, który chroni silnik. Ciągła praca może spowodować wzrost temperatury urządzenia, co z kolei powoduje uruchomienie obwodu zabezpieczającego przed przegrzaniem i automatyczne wyłączenie urządzenia. W takim przypadku przed ponownym rozpoczęciem pracy należy odczekać, aż elektronarzędzie ostygnie.

24. W przypadku wykrycia nieprawidłowości ten produkt może przestać działać.

25. Nie spoglądać bezpośrednio w wiązkę światła.

Może to spowodować uszkodzenie wzroku. Należy zetrzeć kurz lub brud z soczewki lampki LED miękką ściereczką, uważając, by nie zarysować soczewki.

Zarysowania soczewki lampki LED mogą spowodować obniżenie jasności.

ŚRODKI OSTROŻNOŚCI DOTYCZĄCE AKUMULATORA I ŁADOWARKI

1. Akumulator należy ładować w temperaturze otoczenia wynoszącej 0-40°C.

Jeżeli panująca temperatura jest poniżej 0°C, wynikiem będzie przeladowanie, które jest zjawiskiem niebezpiecznym. Akumulator nie może być ładowany w temperaturze wyższej, niż 40°C. Najodpowiedniejszy zakres temperatury, w której można prowadzić ładowanie to 20-25°C.

2. Ładowniki nie należy używać nieprzerwanie.

Po zakończeniu jednego ładowania, a przed rozpoczęciem kolejnego ładowania akumulatora, ładowarkę należy pozostawić na około 15 minut.

3. Komorę, w której umieszczany jest akumulator, należy chronić przed zabrudzeniem.

4. Nigdy nie demontować akumulatora ani ładowarki.

5. Nigdy nie zwierać zacisków akumulatora.

Zwarcie zacisków akumulatora powoduje wygenerowanie wysokiego napięcia i przegrzanie. Wynikiem tego może być spalanie lub uszkodzenie akumulatora.

6. Akumulatora nie wolno wrzucać do ognia.

Podpalenie akumulatora może spowodować jego wybuch.

7. Korzystanie z w pełni wyczerpanego akumulatora spowoduje uszkodzenie ładowarki.

8. Akumulator należy przekazać do punktu sprzedaży, w którym został zakupiony, kiedy tylko jego żywotność po naładowaniu uniemożliwia jego efektywne użytkowanie.

Nie wyrzucać zużytego akumulatora.

9. W otwory wentylacyjne ładowarki nie wolno wkładać żadnych przedmiotów.

Umieszczanie w otworach wentylacyjnych ładowarki metalowych lub łatwopalnych przedmiotów powoduje powstanie zagrożenia porażeniem prądem lub uszkodzenia ładowarki.

UWAGI DOTYCZĄCE AKUMULATORA LI-ION

Aby wydłużyć czas eksploatacji akumulatora li-ion, jest on wyposażony w funkcję wyłączania. W przypadkach opisanych poniżej w punktach 1-3 silnik może zatrzymać się w czasie użytkowania produktu, nawet jeżeli wyłącznik jest wciśnięty. Nie jest to oznaką awarii, ale efekt działania funkcji wyłączania.

1. Gdy akumulator się wyczerpie, silnik wyłączy się. W takim przypadku należy go niezwłocznie naładować.
2. Silnik wyłączy się w przypadku przeładowania narzędzia. W takim przypadku należy zwolnić przelącznik narzędzia i wyeliminować przyczynę przeładowania. Po wyeliminowaniu szkodliwego czynnika, można ponownie włączyć urządzenie.
3. Jeżeli w warunkach intensywnej pracy akumulator się przegrzewa, może to powodować przerywanie zasilania. W takim przypadku należy zaprzestać używania akumulatora i pozostawić go do ostygnięcia. Po ostygnięciu akumulator nadaje się do dalszego używania.

Dodatkowo należy stosować się do poniższych uwag i ostrzeżeń.

OSTRZEŻENIE

Aby zapobiec wyciekom, przegrzaniu, emisji dymu, wybuchowi lub zapaleniu się akumulatora, należy stosować się do wszystkich wymienionych poniżej środków ostrożności

1. Należy upewnić się, że drobne wióry i pył nie gromadzą się na akumulatorze.
 - Podczas pracy należy uważać, aby wióry i pył nie osadzały się na akumulatorze.
 - Usuwać wióry i pył, które opadają na akumulator, aby nie gromadziły się na jego powierzchni.
 - Nie przechowywać nieużywanych akumulatorów w pomieszczeniach silnie zapylnych.
2. Przed przechowywaniem akumulatora, należy usunąć z niego wióry i pył. Nie należy przechowywać akumulatora razem z częściami metalowymi (śruby, gwoździe itp.).
3. Nie przekuwaj akumulatora ostrymi przedmiotami, takimi jak gwoździe, nie uderzaj młotkiem, nie przygniataj, nie rzucaj ani nie poddawaj akumulatora wstrząsom.
4. Nie używaj akumulatora, który nosi wyraźne ślady uszkodzenia lub odkształcenia.
5. Nie umieszczaj akumulatora w urządzeniu w odwrotny sposób.
6. Nie podłączaj akumulatora bezpośrednio do gniazda sieci elektrycznej lub zapalniczki samochodowej.
7. Nie używaj akumulatora do celów innych, niż opisane.
8. Jeśli ładowanie akumulatora nie powiodzie się, nawet po upływie określonego czasu ładowania, natychmiast przerwij ładowanie.
9. Nie poddawaj akumulatora działaniu wysokiej temperatury lub wysokiego ciśnienia, np. poprzez umieszczenie go w kuchence mikrofalowej, suszarce lub pojemniku ciśnieniowym.
10. W przypadku pojawienia się wycieku lub nieprzyjemnego zapachu upewnij się, że akumulator znajduje się z dala od źródeł ognia.
11. Nie używaj akumulatora w miejscach, w których występuje silna elektryczność statyczna.

11. Jeśli w trakcie użytkowania, ładowania lub przechowywania akumulatora pojawi się nieprzyjemny zapach, dojdzie do wycieku, nadmiernego nagrzania, odbarwienia lub odkształcenia bądź jeśli pojawi się jakakolwiek inna nieprawidłowość, akumulator należy natychmiast wyjąć z urządzenia lub ładowarki i zaprzestać jego użytkowania.

12. Nie zanurzać akumulatora ani nie dopuść do dostania się do wnętrza jakiegokolwiek cieczy. Dostanie się do wnętrza cieczy przewodzącej prąd, takiej jak woda, może spowodować uszkodzenie skutkujące pożarem lub wybuchem. Akumulator należy przechowywać w chłodnym, suchym miejscu, z dala od materiałów palnych i łatwopalnych. Należy unikać miejsc narażonych na działanie gazów korozyjnych.

UWAGA

1. Jeśli płyn wyciekający z akumulatora dostanie się do oczu, nie pocieraj podrażnionego miejsca. Dokładnie przemyj oczy czystą wodą, np. z kranu, i niezwłocznie skontaktuj się z lekarzem. Jeśli płyn nie zostanie usunięty, może spowodować uszkodzenie wzroku.
2. W przypadku kontaktu płynu z akumulatora ze skórą, natychmiast dokładnie przemyj skórę czystą wodą, np. z kranu. Płyn z akumulatora może spowodować podrażnienie skóry.
3. Jeśli w trakcie pierwszego użycia akumulator nadmiernie się nagrzeje, pojawi się nieprzyjemny zapach bądź jeśli wykryte zostaną ślady rdzy, odbarwienia, odkształcenia lub inne nieprawidłowości, należy zaprzestać jego użytkowania i zwrócić go do dostawcy lub sprzedawcy.

OSTRZEŻENIE

Jeżeli przedmiot wykonany z materiału przewodzącego zetknie się z zaciskiem akumulatora litowo-jonowego, może dojść do zwarcia akumulatora, a w wyniku tego – do pożaru. Przechowując akumulator litowo-jonowy należy ściśle stosować się do poniższych zaleceń.

- W opakowaniu do przechowywania nie wolno umieszczać żadnych przedmiotów wykonanych z materiałów przewodzących, gwoździ ani drutów, takich jak druty żelazne i druty miedziane.
- Aby zapobiec zwarciom, akumulator należy umieścić w elektronarzędziu lub, w przypadku przechowywania, założyć na niego pokrywę, tak aby otwory wentylacyjne zostały zakryte (**Rys. 2**).

INFORMACJE DOTYCZĄCE TRANSPORTU AKUMULATORA LITOWO-JONOWEGO

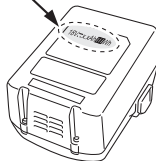
Podczas transportowania akumulatora litowo-jonowego należy przestrzegać następujących środków ostrożności.

OSTRZEŻENIE

Należy powiadomić firmę transportową, że opakowanie zawiera akumulator litowo-jonowy, powiadomić firmę o jego mocy wyjściowej i postępować zgodnie z poleceniami firmy transportowej przy organizowaniu transportu.

- Akumulatory litowo-jonowe, które przekraczają moc 100 Wh, są w klasyfikacji ładunku określone jako niebezpieczne towary i będą wymagać specjalnych procedur aplikacji.
- W przypadku transportu za granicę, muszą być zgodne z międzynarodowymi przepisami prawa oraz zasadami i przepisami kraju docelowego.

Moc wyjściowa
 □□□Wh
 Numer 2 lub 3 cyfrowy



NAZWY CZĘŚCI (Rys. 1 - Rys. 12)

①	Wylot gwoździ (głowica)
②	Końcówka robocza
③	Lampka LED
④	Przełącznik spustowy
⑤	Hak
⑥	Akumulator
⑦	Zatrzask
⑧	Pokrywa akumulatora
⑨	Styki
⑩	Otworki wentylacyjne
⑪	Ładowarka
⑫	Główka gwoździa
⑬	Trzpień gwoździa
⑭	Końcówka gwoździa
⑮	Magnes
⑯	Obszar namagnesowany
⑰	Gwóźdź
⑱	Człon wbijający
⑲	Złącze metalowe
⑳	Otwór
㉑	Śruba
㉒	Rowek
㉓	Szczypce

SYMBOLE

OSTRZEŻENIE

Następujące oznaczenia są symbolami używanymi w instrukcji elektronarzędzia. Przed rozpoczęciem użytkowania należy się upewnić, że ich znaczenie jest zrozumiałe.

	NH18DSL: Automatyczny akumulatorowy wbijak do gwoździ
	Aby zmniejszyć ryzyko odniesienia obrażeń, użytkownik powinien przeczytać instrukcję obsługi.
	Operatorzy i inne osoby znajdujące się w obszarze pracy muszą nosić okulary ochronne z osłonami bocznymi.
	Nigdy nie kierować narzędzia na siebie ani inne osoby w miejscu pracy.
	Odłącz akumulator
	Nie używać na rusztowaniach, drabinach.
	Dotyczy tylko państw UE Nie wyrzucaj elektronarzędzi wraz z odpadami z gospodarstwa domowego! Zgodnie z Europejską Dyrektywą 2012/19/UE w sprawie zużytego sprzętu elektrotechnicznego i elektronicznego oraz dostosowaniem jej do prawa krajowego, zużyte elektronarzędzia należy posegregować i zutylizować w sposób przyjazny dla środowiska.
	Prąd stały
	Masa (Zgodnie z procedurą EPTA 01/2014)
	Włączanie
	Wyłączanie
	Ostrzeżenie
	Działanie niedozwolone

SPECYFIKACJE TECHNICZNE

1. Automatyczny akumulatorowy wbijak do gwoździ

Model	NH18DSL
Napięcie	18 V
Liczba uderzeń	4000 min ⁻¹
Właściwy gwoździec	ø1,7 – 4,1 mm (Patrz Tabela 1)*1
Właściwa długość gwoździa	25 mm do 90 mm*1
Waga*2	1,3 – 1,9 kg
Wymiar Wysokość × długość	135 mm × 285 mm (BSL1815)

*1: Przeciwne drewno: Iglaste, cedar

Może nie być możliwe pełne wbicie gwoździa w twarde materiały typu choina, płyta mdf, czy laminowana tarcica.

*2: Waga: zgodnie z procedurą EPTA 01/2014. W zależności od podłączonego akumulatora. Największy zmierzony ciężar występuje w połączeniu z BSL36B18 (sprzedawany oddzielnie).

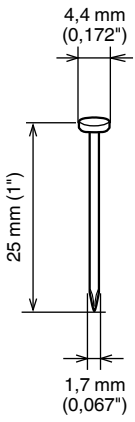
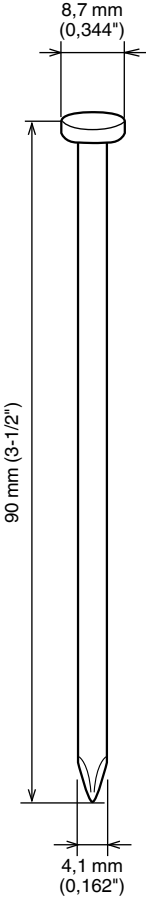
WSKAZÓWKA

W związku z prowadzonym przez firmę HiKOKI programem badań i rozwoju, niniejsze dane techniczne mogą ulec zmianie bez wcześniejszego zawiadomienia.

WYBÓR GWOŹDZI

Do tej automatycznego wbijaka do gwoździ należy stosować gwoździe o następujących rozmiarach.

Tabela 1

Min.	Maks.
 <p>4,4 mm (0,172")</p> <p>25 mm (1")</p> <p>1,7 mm (0,067")</p>	 <p>8,7 mm (0,344")</p> <p>90 mm (3-1/2")</p> <p>4,1 mm (0,162")</p>

OSTRZEŻENIE

- Nie używać gwoździ innych rozmiarów. Mogą one uszkodzić końcówkę roboczą lub zostać wystrzelone na ukos.
- Zwracać uwagę na wymiary główek gwoździ. Rozmiary główek gwoździ mogą się znacznie różnić w przypadku dostępnych w sprzedaży gwoździ sprzedawanych luzem.
- Nie używać gwoździ hartowanych.

WSKAZÓWKA

- Może nie być możliwe pełne wbicie gwoźdźnia w twarde materiały typu choina, płyta mdf, czy laminowana tarcica.

AKCESORIA STANDARDOWE

OSTRZEŻENIE

- Akcesoria inne niż podane poniżej mogą powodować usterki prowadzące do obrażeń ciała.

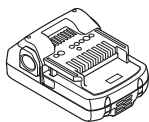
① Ochrona oczu.....1



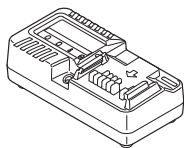
WSKAZÓWKA: Akcesoria podlegają zmianie bez zobowiązań ze strony firmy HIKOKI.

AKCESORIA OPCJONALNE (SPRZEDAWANE ODDZIELNIE)

1. Akumulator
 - BSL1815



2. Ładowarka
 - UC18YKSL (Napięcie ładowania: 14,4 V – 18 V)



Akcesoria opcjonalne mogą ulec zmianie bez wcześniejszego zawiadomienia.

ZASTOSOWANIA

- Drewniane materiały stosowane w robotach ogólnobudowlanych i podczas remontów, osprzęt, drewniane tarasy i szkielety konstrukcji

ŁADOWANIE

Akumulator i ładowarka nie są dołączone do zestawu. W przypadku akumulatorów, należy je ładować zgodnie z instrukcją obsługi używanej ładowarki. (Rys. 5)

MONTAŻ I PRACA

Działanie	Rysunek	Strona
Wkładanie i wyjmowanie akumulatora	3	2
Obsługa wyłącznika	4	2
Ładowanie	5	3
Sprawdzenie działania końcówki roboczej*1	6	3
Wbijanie poprzez przytrzymanie gwoźdźcia przez magnes*2	7	3
Wbijanie poprzez przytrzymanie palcami.*3	8	3
Wbijanie gwoźdźcia przez złącze metalowe*4	9	4
Korzystanie z haka*5	10	4

Usuwanie zakleszczenia	11	4
Wybór akcesoriów	—	199

*1 OSTRZEŻENIE

- Sprawdzić, czy końcówka robocza przesuwa się płynnie przy uruchomieniu. Oczyszczyć tor przesuwu końcówki roboczej, jeśli końcówka nie przesuwa się płynnie.

*2 OSTRZEŻENIE

- Podczas wkładania gwoźdźcia w końcówkę roboczą trzymać gwoźdź za trzpień, a nie za końcówkę.
- Podczas wkładania gwoźdźcia w końcówkę roboczą dopilnować, aby gwoźdź nie nacisnął na końcówkę członu wbijającego.
- Podczas wkładania gwoźdźcia w końcówkę roboczą nie umieszczać palców ani dłoni poniżej końcówki gwoźdźcia.

*3 OSTRZEŻENIE

- Podczas wbijania gwoźdźcia poprzez trzymanie go palcami, najpierw przyłożyć końcówkę gwoźdźcia w planowane miejsce wbicia, a następnie nałożyć końcówkę roboczą na główkę gwoźdźcia.

*4 OSTRZEŻENIE

- Podczas wbijania gwoźdźcia dopilnować, aby końcówka gwoźdźcia znajdowała się w otworze metalowego złącza.

*5 UWAGA

- Podczas korzystania z haka, elektronarzędzie zawieszać na haku na tyle pewnie, aby przypadkowo nie spadło. Jeśli elektronarzędzie spadnie, może dojść do wypadku.
- Przed użyciem haka konieczne najpierw odłączyć akumulator.
- Hak należy pewnie zamontować. Jeżeli hak nie zostanie pewnie zamocowany, może spowodować obrażenia w czasie pracy.

UWAGA

Przy wbijaniu gwoździ uruchamiać na krótki czas i unikać pracy ciągłej. W przeciwnym razie może dojść do awarii lub wycieku smaru.

KONSERWACJA I KONTROLA

UWAGA

Przed rozpoczęciem konserwacji lub kontroli konieczne odłączyć akumulator od automatycznego wbijaka do gwoździ.

OSTRZEŻENIE

- Odłączyć akumulator i wyjąć gwoźdź z automatycznego wbijaka do gwoździ:
 - 1) przed rozpoczęciem czynności konserwacyjnych i przeglądu; oraz
 - 2) przed usunięciem zablokowanego gwoźdźcia.
- Nie podłączając akumulatora sprawdzić, czy końcówka robocza porusza się jednostajnie, dociskając ją do jakiegoś materiału, takiego jak drewno.

1. Usuwanie zakleszczenia (Rys. 11)

- ① Wyjąć akumulator z automatycznego wbijaka do gwoździ.
- ② Wyjąć zakleszczony gwoźdź szczypcami.
- ③ Jeśli zakleszczenie często występuje, skontaktować się z autoryzowanym serwisem HIKOKI.

2. Przegląd końcówki roboczej (Rys. 6)

Regularnie czyścić i smarować przesuwną część końcówki roboczej i nasadki. Sprawdzić, czy końcówka robocza porusza się płynnie, dociskając automatyczny wbijak do gwoździ do jakiegoś materiału, takiego jak drewno. Jeśli opiki żelaza itp. przylgną do namagnesowanej części końcówki roboczej, siła przytrzymywania gwoźdźcia przez magnes może ulec zmniejszeniu. Okazjonalnie czyścić te miejsce szmatką lub taśmą klejącą.

Poza tym, od czasu do czasu usuwać opilki żelaza z namagnesowanej zewnętrznej części końcówki roboczej ściereczką lub taśmą klejącą.

Dzięki temu końcówka robocza będzie pracować płynnie.

3. Sprawdzanie śrub mocujących

Regularnie sprawdzaj wszystkie mocujące śruby i upewnij się, że są mocno przykręcone. Jeśli któraś z nich się obluźuje, natychmiast ją przykręć. Zaniedbanie tego może spowodować poważne zagrożenie.

4. Konserwacja silnika

Uzwojenie silnika stanowi kluczowy element narzędzia. Należy bardzo dokładnie pilnować, aby uzwojenie nie zostało uszkodzone i/lub zmoczone wodą lub olejem.

5. Czyszczenie obudowy

W przypadku zabrudzenia elektronarzędzia, należy je przetrzeć miękką i suchą ściereczką lub ściereczką zwilżoną wodą z mydłem. Nie wolno używać rozpuszczalników na bazie chloru, benzyny ani rozcieńczalnika do farb, gdyż topią one tworzywa sztuczne.

6. Przechowywanie

Elektronarzędzie i akumulator należy przechowywać w miejscu, w którym panuje temperatura poniżej 40°C i które pozostaje poza zasięgiem dzieci.

WSKAZÓWKA

Przechowywanie akumulatorów litowo-jonowych.

Upewnij się, że przed przechowywaniem akumulatory litowo-jonowe zostały całkowicie naładowane.

Długotrwałe przechowywanie akumulatorów (3 miesiące lub dłużej) o niskim poziomie naładowania może spowodować pogorszenie ich wydajności, istotnie skracając czas ich użytkowania lub sprawiając, że nie będą one w stanie utrzymać ładunku.

Znacznie skrócony czas użytkowania akumulatorów można jednak poprawić poprzez ich wielokrotne ładowanie i używanie – od dwóch do pięciu razy.

Jeżeli czas użytkowania akumulatorów – pomimo wielokrotnego ładowania i używania – jest bardzo krótki, należy je uznać za trwale wyczerpane i zakupić nowe.

UWAGA

Podczas użytkowania i konserwacji narzędzi elektrycznych muszą być przestrzegane przepisy i standardy bezpieczeństwa.

Ważna informacja dotycząca akumulatorów do narzędzi bezprzewodowych HiKOKI

Należy zawsze używać jednego z zalecanych oryginalnych akumulatorów. Nie możemy zagwarantować bezpieczeństwa i poprawności działania naszych narzędzi bezprzewodowych, jeżeli używane są akumulatory inne, niż zalecane lub gdy akumulator zostanie rozmontowany i zmodyfikowany (np. demontaż i wymiana ogniw lub innych komponentów).

GWARANCJA

Gwarancja na elektronarzędzia HiKOKI jest udzielana z uwzględnieniem praw statutowych i przepisów krajowych. Gwarancja nie obejmuje wad i uszkodzeń powstałych w wyniku niewłaściwego użytkowania lub wynikających z normalnego zużycia. W wypadku reklamacji należy dostarczyć kompletne elektronarzędzie do autoryzowanego centrum serwisowego HiKOKI wraz z KARTĄ GWARANCYJNĄ znajdującą się na końcu instrukcji obsługi.

Informacje dotyczące poziomu hałasu i wibracji

Zmierzone wartości zostały określone zgodnie z EN62841 i zadeklarowane zgodnie z ISO 4871.

Zmierzony poziom dźwięku A: 107 dB (A)

Zmierzony poziom ciśnienia akustycznego A: 96 dB (A)

Niepewność K: 3 dB (A).

Należy nosić słuchawki ochronne.

Wartość całkowita wibracji (trójosiowa suma wektorowa) określona zgodnie z EN62841.

Wartość emisji wibracji: 15,5 m/s²

Niepewność K = 1,5 m/s²

Deklarowana całkowita wartość drgań i deklarowana wartość emisji hałasu zostały zmierzone z wykorzystaniem znormalizowanej metody testowej i mogą być wykorzystywane do porównywania narzędzi.

Mogą one być również wykorzystywane do wstępnej oceny ekspozycji.

OSTRZEŻENIE

○ Emisja drgań i hałasu podczas rzeczywistego użytkowania elektronarzędzia mogą się różnić od deklarowanej wartości całkowitej w zależności od sposobów użytkowania narzędzia, w szczególności rodzaju przetwarzanego przedmiotu; oraz

○ Należy określić środki bezpieczeństwa dla ochrony operatora zgodnie z szacowaną wartością ekspozycji w zależności od rzeczywistych warunków użytkowania (uwzględniając wszystkie etapy cyklu roboczego, takie jak przerwy w pracy urządzenia oraz praca na biegu jałowym w stanie gotowości).

WSKAZÓWKA

W związku z prowadzonym przez HiKOKI programem badań i rozwoju, specyfikacje te mogą się zmienić w każdej chwili bez uprzedzenia.

A SZERSZÁMGÉPPEL KAPCSOLATOS ÁLTALÁNOS BIZTONSÁGI FIGYELMEZTETÉSEK

⚠ FIGYELMEZTETÉS

Olvasson el minden biztonsági figyelmeztetést, útmutatást, illusztrációt és műszaki adatot, amelyeket a szerszámgéphez kapott.

Az alább felsorolt utasítások be nem tartása áramütést, tüzet és/vagy súlyos sérülést eredményezhet.

A figyelmeztetéseket és utasításokat tartalmazó útmutatót őrizze meg, hogy a jövőben is a rendelkezésére álljon.

A figyelmeztetésekből használt „szerszámgép” kifejezés a hálózatról működő (vezetékes) vagy akkumulátorral működő (vezeték nélküli) szerszámgépre vonatkozik.

1) Munkaterület biztonsága

a) A munkaterület mindig legyen tiszta és jól megvilágított.

A zsúfolt vagy sötét területek vonzzák a baleseteket.

b) Ne használja a szerszámgépeket robbanásveszélyes légkörben, például gyúlékony folyadékok, gázok vagy por jelenlétében.

A szerszámgépek szikrákat keltenek, amelyek meggyújthatják a port vagy gőzöket.

c) Ne engedje közel a gyermekeket és kívülállókat a szerszámgéphez annak használata közben.

Elveszitheti az irányítását a gép felett, ha valaki eltereli a figyelmét.

2) Érintésvédelem

a) A szerszámgép dugaszainak az aljzatnak megfelelőnek kell lenniük. Soha, semmilyen módon ne alakítsa át a dugaszt. Ne használjon átalakító dugaszt földelt szerszámgépekhez.

Az eredeti dugaszok és a megfelelő aljzatok használata csökkenti az áramütés kockázatát.

b) Kerülje a test érintkezését a földelt felületekkel, mint például csövekkel, radiátorokkal, tűzhelyekkel és hűtőszekrényekkel.

Az áramütés kockázata nagyobb, ha a teste földelve van.

c) Ne tegye ki a szerszámgépeket esőnek vagy nedves körülményeknek.

A szerszámgépbe kerülő víz növeli az áramütés kockázatát.

d) Ne rongálja meg a vezetéket. Soha ne használja a vezetéket a szerszámgép szállításához, húzásához vagy az aljzatból való kihúzásához. Tartsa távol a vezetéket hőtől, olajtól, éles szegélyektől vagy mozgó alkatrészekről.

A sérült vagy összekuszálódott vezetékek növelik az áramütés kockázatát.

e) A szerszámgép szabadban történő üzemeltetése esetén használjon szabadtéri használatra alkalmas hosszabbító kábelt.

A szabadtéri használatra alkalmas kábel használata csökkenti az áramütés kockázatát.

f) Ha elkerülhetetlen a szerszámgép nyirkos helyen történő használata, használjon FI relével (érintésvédelmi relével) védett táplálást.

A FI relé használata csökkenti az áramütés kockázatát.

3) Személyi biztonság

a) A szerszámgép használata közben maradjon mindig figyelmes, arra figyeljen, amit csinál, és használja a józanész elvét.

Ne használja a szerszámgépet fáradtan, kábítószert, alkoholt vagy gyógyszer hatása alatt.

A szerszámgépek üzemeltetése közben egy pillanatnyi figyelmetlenség is súlyos személyi sérülést eredményezhet.

b) Használjon személyi védőeszközöket. Mindig viseljen védőszemüveget.

A munkavédelmi eszközök, mint a porvédő maszk, csúszásgátló biztonsági cipő, védő sisak vagy fűlvédő használata a fennálló körülmények esetén csökkenti a személyi sérülés veszélyét.

c) Ne hagyja, hogy a gép véletlenül elinduljon. Győződjön meg arról, hogy a kapcsoló a kikapcsolt állásban van, mielőtt a szerszámgépet csatlakoztatja az áramforráshoz és/vagy behelyezi az akkumulátort, illetve amikor felveszi vagy szállítja a szerszámot.

A szerszámgépek szállítása úgy, hogy az ujjá a kapcsolón van, valamint a bekapcsolt szerszámgépek áram alá helyezése vonzza a baleseteket.

d) Távolítson el minden állítókulcsot vagy csavarkulcsot, mielőtt bekapcsolja a szerszámgépet.

A szerszámgép forgó részéhez csatlakoztatva hagyott csavarkulcs vagy kulcs személyi sérülést eredményezhet.

e) A gép használatakor ne nyújtózzon túl messzire. Mindig álljon stabilan, és őrizze meg egyensúlyát.

Ez lehetővé teszi, hogy a szerszámgépet váratlan helyzetekben is jobban irányítsa.

f) Öltözzön megfelelően. Ne viseljen laza ruházatot vagy ékszert. Tartsa távol haját és ruházatát a mozgó alkatrészekről.

A laza ruházat, ékszer vagy hosszú haj beakadhat a mozgó részekbe.

g) Ha a porelszívó és gyűjtő berendezések csatlakoztatásához külön eszközöket kapott, gondoskodjon ezek megfelelő csatlakoztatásáról és használatáról.

A porgyűjtő használata csökkentheti a porhoz kapcsolódó veszélyeket.

h) Ne hagyja, hogy a gépek gyakori használatából eredő megszokás önelégültté tegye, és ez a gép biztonságji alapelveinek figyelmen kívül hagyására késztesse.

Egy gondatlan cselekedet a másodperc töredéke alatt súlyos sérülést okozhat.

4) A szerszámgép használata és ápolása

a) Ne erőltesse a szerszámgépet. Használjon az alkalmazásához megfelelő szerszámgépet.

A megfelelő szerszámgép jobban és biztonságosabban végzi el a feladatot azon a sebességen, amelyre azt tervezték.

b) Ne használja a szerszámgépet, ha a kapcsoló nem kapcsolja azt be és ki.

Az a szerszámgép, amely a kapcsolóval nem vezérelhető, veszélyes, és meg kell javítani.

c) Húzza ki a dugaszt az áramforrásból és/vagy, ha eltávolítható, vegye ki az akkumulátort a szerszámgépéből, mielőtt bármilyen beállítást végez, tartozékokat cserél vagy tárolja a szerszámgépeket.

Ezen megelőző biztonsági intézkedések csökkentik a szerszámgép véletlen beindulásának kockázatát.

d) A használaton kívüli szerszámgépeket tárolja úgy, hogy gyermekek ne férhessenek hozzá, és ne engedje meg, hogy a szerszámgépet a gépet vagy ezeket az utasításokat nem ismerő személyek használják.

Képzetlen felhasználók kezében a szerszámgépek veszélyesek.

e) A szerszámgépek és tartozékaik karbantartása. Ellenőrizze, hogy a mozgó alkatrészek a szerszámgépen nincsenek-e elállítódva, vagy beszorulva, nincsenek-e törött alkatrészek, vagy van-e más körülmény, ami befolyásolhatja a szerszámgép működését. Ha a szerszámgép sérült, használat előtt javíttassa meg.
Sok balesetet a rosszul karbantartott szerszámgépek okoznak.

f) A vágószerszámokat tartsa élesen és tisztán. Az éles vágóélekkel rendelkező, megfelelően karbantartott vágószerszámok elakadásának lehetősége kevésbé valószínű, és azok könnyebben kezelhetők.

g) A szerszámgép tartozékait és betétkéseit stb. használja a jelen útmutatónak megfelelően, figyelembe véve a munkakörülményeket és a végzendő munkát.

A szerszámgép nem rendeltetésszerű használata veszélyes helyzetet eredményezhet.

h) Tartsa a fogantyúkat és a markolatok felületeit szárazon, valamint olaj- és zsírinteslen.

A csúszós fogantyúk és markolati felületek nem teszik lehetővé a szerszám biztonságos kezelését és váratlan helyzetekben történő irányítását.

5) Akkumulátoros szerszám használata és ápolása

a) Csak a gyártó által előírt töltővel töltsd újra. Az egy bizonyos típusú akkumulátorhoz alkalmas töltő tűzveszélyt okozhat, ha egy másik fajta akkumulátorral használják.

b) A szerszámgépeket csak a kifejezetten hozzájuk való akkumulátorokkal használja.

Bármilyen más akkumulátor használata sérülés- és tűzveszélyt okozhat.

c) Amikor az akkumulátor nincs használatban, tartsa távol más fémtárgyaktól, mint például írtárcsáktól, érméktől, kulcsoktól, szegektől, csavaroktól vagy egyéb kis fémtárgyaktól, amelyek érintkezésbe hozhatnak két csatlakozót.

Az akkumulátor csatlakozóinak rövidre zárása égési sérüléseket vagy tüzet okozhat.

d) Helytelen körülmények között az akkumulátorból folyadék folyhat ki; kerülje az érintkezést ezzel a folyadékkal. Ha véletlenül hozzáfér, vizzel öblítse le. Ha a folyadék a szemmel kerül érintkezésbe, kérjen további orvosi segítséget.

Az akkumulátorból kifolyó folyadék irritációt vagy égéseket okozhat.

e) Ne használjon sérült vagy módosított akkumulátort.

A sérült vagy módosított akkumulátorok kiszámíthatatlan viselkedést mutathatnak, ami tűz-, robbanás- vagy sérülésveszélyt eredményezhet.

f) Az akkumulátort vagy a szerszámot ne tegye ki a tűznek vagy túl magas hőmérsékletnek.

A tűz vagy 130°C feletti hőmérséklet robbanást okozhat.

g) Kövesse a töltésre vonatkozó utasításokat, és az akkumulátort vagy a szerszámot ne töltsd az utasításban megadott hőmérsékleti tartományon kívül.

A nem megfelelő módon, illetve a megadott tartományon kívül történő töltés károsíthatja az akkumulátort és növelheti a tűz kockázatát.

6) Szervíz

a) A szerszámgépét képesítéssel rendelkező szerelővel javíttassa meg, csak azonos cserealkatrészek használatával.

Ez biztosítja, hogy a szerszámgép biztonságos maradjon.

b) Soha ne javítson sérült akkumulátorokat.

Az akkumulátorok karbantartását csak a gyártó vagy az arra jogosult szolgáltatók végezhetik.

VIGYÁZAT

Tartsa távol a gyermekeket és beteg személyeket.

Amikor nem használja a szerszámokat, tárolja úgy, hogy gyermekek és beteg személyek ne férhessenek hozzá.

AZ AKKUS SZEGEZŐ KALAPÁCSRA VONATKOZÓ BIZTONSÁGI UTASÍTÁSOK

1. Mindig feltételezzük, hogy az eszköz szöveget tartalmaz.

A szegezõ kalapács gondatlan kezelése váratlan szögbeütést és személyi sérülést okozhat.

2. Ne irányítsa a szerszámot saját maga vagy a közelben tartózkodó személyek felé.

A váratlan indítás elengedi a szöveget, ami sérüléshez vezet.

3. A szerszámot csak szorosan a munkadarabhoz helyezze működtesse.

Ha a szerszám nem érintkezik a munkadarabbal, akkor a szög eltérhet a céltól.

4. Húzza ki a szerszámot az áramforrásból, ha a szög elakad a szerszámiban.

Az elakadt szög eltávolítása közben a szegezõ kalapács véletlenül bekapcsolódhat, ha be van dugva.

5. Ne használja ezt a szegezõ kalapácsot elektromos kábelek rögzítéséhez.

Nem elektromos kábelek felszereléséhez tervezték, és károsíthatja az elektromos kábelek szigetelését, ezáltal áramütést vagy tűzveszélyt okozhat.

6. Viseljen fülvédőt

Az erős zaj halláskárosodást okozhat.

7. Ha az eszközhöz tartozik segédnyél, használja.

A fúró feletti irányítás elvesztése személyi sérülést okozhat.

8. A szerszámgépet a szigetelt fogófelületeknél fogva tartsa, ha olyan munkát végez, ahol a csavarhúzó rejtett vezetékkel érintkezhet.

Ha a csavarhúzó feszültség alatt lévő vezetékkel érintkezik, a szerszámgép nem szigetelt fémrészei is feszültség alá kerülhetnek, és megrázzhatják a gépet használó személyt.

TOVÁBBI BIZTONSÁGI FIGYELMEZTETÉSEK

1. Használat közben tartsa biztosan a szerszámot.

Ennek elmulasztása balesetet vagy sérülést eredményezhet. (12. ábra)

2. Biztonságos működés a helyes használat révén.

Ezt a szerszámot arra tervezték, hogy szöveget üssön fába és más, hasonló anyagokba. Csak rendeltetésszerűen használja.

3. Óvakodjon az égéssel és a robbanásokkal.

Mivel a szögbeütés során szikrázás előfordulhat, veszélyes a szerszám közelében a lakk, festék, benzin, hígító, benzin, gáz, ragasztók és hasonló gyúlékony anyagok használata, mivel ezek meggyulladhatnak vagy robbanást okozhatnak. Semmilyen körülmények között sem szabad ezt a szerszámot ilyen gyúlékony anyag közelében használni.

4. Mindig viseljen szemvédőt (védőszemüveg).



A szerszámgép működtetése közben mindig viseljen szemvédőt, és győződjön meg róla, hogy a környező emberek is viseljenek védőszemüveget.

A nem megfelelően bevett szögek részének szembe kerülése veszélyezteti a látást.

A védőszemüveg bármely szerszámkereskedésben megvásárolható. A szerszám használatakor mindig viseljen védőszemüveget. Használjon védőszemüveget vagy felálarcot a vényköteles szemüveg felett.

A munkaadó köteles előírni a szemvédő eszközök használatát.

5. Védje fülét és fejét.

Ha ragaszkodik a szegelő munkához, kérjük viseljen fül- és fejdédőt. A körülményektől függően győződjön meg arról is, hogy környezetében lévő emberek viselnek-e fül- és fejdédőt.

6. Ügyeljen azokra, akik az ön közelében dolgoznak.

Nagyon veszélyes lenne, ha a nem megfelelően bevitt szögek más embereket eltalálnának. Ezért mindig ügyeljen az Ön körül álló emberek biztonságára, ha ezt a szerszámot használja. Mindig győződjön meg róla, hogy senki teste, keze vagy lába nincs a szögbelövő közelében.

7. Soha ne irányítsa a szögbelövőt emberek felé.



Mindig feltételezzük, hogy az eszköz kapcsolatokat tartalmaz.

Ha a szögbelövőt emberek felé tartja, súlyos baleseteket okozhat, ha véletlenül működésbe hozza az eszközt. Az akkumulátor csatlakoztatásakor és lecsatlakoztatásakor, szögbetöltés vagy hasonló műveletek közben győződjön meg arról, hogy a szögbelövő nem mutat senkire (beleértve önmagát is). Még akkor is veszélyes emberre fogva működtetni a szerszámot, ha egyáltalán nincsenek szögek betöltve, ezért ezt soha ne kísérelje meg. Nem játékszer. A szerszámot tekintse munkaeszköznek.

8. Használat előtt ellenőrizze a rudat.

Győződjön meg arról, hogy a rúd megfelelően működik. Soha ne használja a szegező kalapácsot, a rúd megfelelő működése nélkül, különben a szegező kalapács váratlanul szöveget löhet ki. Ne módosítsa és ne távolítsa el a rudat, különben a rúd működésképtelenné válik.

9. Csak a meghatározott szögeket használja.

Soha ne használjon olyan szögeket, amelyek eltérnek a jelen útmutatóban meghatározott és leírt szögektől.

10. Legyen körültekintő az akkumulátor csatlakoztatásakor.

Az akkumulátor csatlakoztatásakor és a szögek behelyezésekor győződjön meg az alábbiakról annak érdekében, hogy a szerszámot nehogy véletlenül működésbe hozza.

- Ne érintse meg az indítógombot.
- Ne engedje, hogy a tüzelőfej bármilyen felülettel érintkezzen.
- Tartsa a tüzelőfejet lefelé.

Szigorúan tartsa be a fenti utasításokat, és mindig győződjön meg róla, testének, kezének és lábának egyetlen része sincs a szögbelövő előtt.

11. Véletlenül se tegye az ujját az indítógombra.

Ne helyezze az ujját az indítógombra, kivéve, ha valóban szöveget szeretne beütni. Ha a szerszámot úgy viszi, vagy adja át valakinek, hogy ujját az indítógombon tartja, akkor véletlenül szöveget löhet ki, amely balesetet okozhat.

12. A szögbelövőt erősen nyomja hozzá a szegelni kívánt anyaghoz.

Szögbelövéskor szorosan nyomja a szögbelövőt a szegelni kívánt anyaghoz. Amennyiben a szögbelövő elhelyezése nem megfelelő, a szög visszapatthat.

13. Használat közben kezét és lábát tartsa távol a tüzelőfejtől.



Nagyon veszélyes, ha a szög véletlenül a kezét vagy a lábát találja el.

14. Ügyeljen arra, hogy a szerszám visszarúg.

A fejt stb. tartsa távol a szerszám tetejétől működés közben. Ez veszélyes, mert az eszköz hevesen visszarúghat, ha az éppen beütés alatt álló szög egy korábban belőtt szöggel vagy a fában található csomóval érintkezik.

15. Vékony falapok vagy a fa sarkának szegelésekor legyen óvatos.

Vékony falapok szegelésekor a szög átútheti a lapot, valamint ez előfordulhat a fa sarkainak szegelésekor is a szögek elhajlása miatt. Ilyen esetekben mindig győződjön meg róla, hogy senki (és senki keze vagy lába, stb.) nincs a vékony falap mögött vagy a fa mellett, amelyet szegelni kíván.

16. Ugyanazon falat mindkét oldalán egyidejűleg szegelni veszélyes.

Semmilyen körülmények között sem szabad a fal mindkét oldalát egyidejűleg szegelni. Ez nagyon veszélyes lenne, mivel a szög átúthet a falon, és így sérüléseket okozhat.

17. Ne használja a szerszámgépet állványokon, létrákon.

A szerszámgépet bizonyos alkalmazásokhoz nem szabad használni, például:

- amennyiben a szögbelövés helyének megváltoztatásához állványok, lépcsők, létrák vagy létraszerű szerkezetek, pl. tetőlécek szükségesek,
- dobozok vagy ládák lezárása,
- szállítási biztonsági rendszerek illesztése pl. járműveken és vagonokon

18. Távolítsa el az összes fennmaradó szöveget és az akkumulátort a szegező kalapácsot, ha:

- 1) karbantartást és ellenőrzést végez;
- 2) a rúd és az indítógomb megfelelő működését ellenőrzi;
- 3) elakadást szüntet meg;
- 4) nincs használatban;
- 5) elhagyja a munkaterületet;
- 6) más helyre viszi; és
- 7) másik személynek adja át.

Soha ne kísérelje meg az elakadás megszüntetését vagy a szegező kalapács javítását az akkumulátor és minden maradék szög eltávolítása nélkül.

A szegező kalapácsot soha ne hagyja felügyelet nélkül, mert a szegező kalapács használatát nem ismerő emberek használhatják és megsérthetik magukat.

19. A szerszámgép tisztításakor ne használjon benzint vagy más gyúlékony folyadékot.

Ha gyúlékony folyadékból származó gőz kerül a szerszámgépbe, fennáll annak veszélye, hogy a tűzés során keletkező szikrák robbanást okozhatnak.

20. A készülék működési környezete 0°C és 40°C között van, így azt ezen a hőmérsékleti tartományon belül használja. Lehetséges, hogy a készülék nem működik 0°C alatt, vagy 40°C felett.

21. SOHA NE engedje, hogy a mágnesek (vagy hasonló mágneses eszközök) a szegező kalapács közelében legyenek, mert a szegező kalapács belsejében van egy mágnes.

Ha így tesz, az hibát, vagy a hibás működés miatt sérülést okozhat.

22. A készülék pihentetése folyamatos használat után.

23. A szerszám gép a motor védelme érdekében túlmelegedés ellen védő áramkörrel van felszerelve. A hosszabb időn keresztül folyamatos munka során a készülék hőmérséklete megemelkedhet, ami aktiválhatja a túlmelegedés ellen védő áramkört, mely a készülék működését automatikusan leállítja. Ha ez történik, hagyja a szerszám gépet lehűlni, mielőtt folytatná a használatát.

24. A készülék leáll, ha bármilyen rendellenességet érzékel.

25. Ne nézzen közvetlenül a fénybe. Ettől megsérülhet a szeme.

Egy puha ruhával töröljön le mindennemű koszt és szennyeződést a LED lámpa lencséről, ügyelve arra, hogy ne karcolja meg a lencsét.

A LED lámpa lencséjén található karcok a fényerő csökkenését eredményezhetik.

AZ AKKUMULÁTORRA ÉS A TÖLTŐRE VONATKOZÓ ÖVINTÉZKEDÉSEK

1. Az akkumulátor mindig 0-40°C környezeti hőmérséklet tartományban töltsen.

A 0°C alatt végzett töltés veszélyes túltöltést okoz. Az akkumulátor nem tölthető 40°C-nál magasabb hőmérsékleten.

A töltéshez a legideálisabb hőmérséklet 20–25°C.

2. Ne használja folyamatosan a töltőt.

Ha befejezett egy töltést, hagyja a töltőt kb. 15 percig állni, mielőtt újból tölteni kezd.

3. Ne hagyja, hogy az újratölthető akkumulátor csatlakoztatására szolgáló nyílásba idegen anyag kerüljön.

4. Soha ne szerelje szét az újratölthető akkumulátort vagy a töltőt.

5. Soha ne zárja rövidre az újratölthető akkumulátort. Az akkumulátor rövidre zárása nagy áramerősséget, ezáltal túlmelegedést okoz. Ennek eredményeképpen az akkumulátor leéghet vagy károsodhat.

6. Ne dobja tűzbe az akkumulátort.

Az akkumulátor felrobbanhat a tűzben.

7. A lemerült akkumulátor használata károsíthatja a töltőt.

8. Ha az akkumulátor működési ideje az újratöltést követően túl rövidvé válik a rendes használathoz, akkor vigye vissza abba a boltba, ahol vásárolta.

Ne dobja el a lemerült akkumulátort.

9. Ne dugjon semmilyen tárgyat a töltő szellőzésére szolgáló résekbe.

Ha fémtárgyat vagy gyúlékony anyagot dug a töltő szellőzésére szolgáló résekbe, azzal elektromos áramütést okozhat, vagy a töltő megrongálódhat.

FIGYELMEZTETÉS A LÍTIUMION AKKUMULÁTORRAL KAPCSOLATOSAN

Az élettartam meghosszabbításához a lítiumion akkumulátor védelmi funkcióval van ellátva a működés leállításához.

Az alább leírt 1 – 3. esetben a termék használatokra a motor leállhat, még ha húzza is a kapcsolót. Ez nem meghibásodást jelez, hanem a védelmi funkció eredménye.

1. Amikor az akkumulátorban lemerül a töltés, a motor leáll. Ilyen esetben haladéktalanul fel kell tölteni.

2. Ha az eszköz túl van terhelve, előfordulhat, hogy a motor leáll. Ez esetben oldja a szerszám kapcsolóját és hárítsa el a túlterhelés okát. Ezt követően a gépet ismét használhatja.

3. Ha az akkumulátor a túlterhelt munka mellett túlmelegszik, az akkumulátor árama megállhat.

Ebben az esetben hagyja abba az akkumulátor használatát és hagyja lehűlni az akkumulátort. Ezután ismét használhatja.

Kérjük, vegye figyelembe az alábbi figyelmeztetéseket és biztonsági tudnivalókat.

FIGYELMEZTETÉS

Az akkumulátor szivárgásának, felforrósodásának, füst képződésének, illetve a robbanás vagy tűz keletkezésének megelőzése érdekében kérjük, tartsa be az alábbi óvintézkedéseket.

1. Ügyeljen rá, hogy fémforgács és por ne gyülemeljen fel az akkumulátoron.

○ Munka közben ügyeljen rá, hogy fémforgács és por ne hulljon az akkumulátorra.

○ Ügyeljen rá, hogy a munka közben az elektromos kéziszerszámra hulló fémforgács és por ne gyülemeljen fel az akkumulátoron.

○ A használaton kívül akkumulátort ne tárolja fémforgácsnak és pornak kitett helyen.

○ Az akkumulátor eltávolítása előtt távolítsa el a ráakódott fémforgácsot és port, és ne tárolja fém alkatrészekkel együtt (csavarok, szögek, stb.).

2. Ne bontsa meg az akkumulátor burkolatát hegyes tárggyal, például tüvel, ne üssön rá kalapáccsal, ne álljon rá, ne ejtse le, és ne tegye ki erős fizikai behatásnak.

3. Ne használjon láthatóan sérült vagy deformálódott akkumulátort.

4. Ne használja az akkumulátort fordított polaritással.

5. Ne csatlakoztassa az akkumulátort közvetlenül az elektromos csatlakozójához vagy szivargyűjtő-csatlakozóhoz.

6. Az akkumulátort kizárólag rendeltetése szerint használja.

7. Azonnal állítsa le az akkumulátor töltését, ha a töltés az előírt töltési idő után sem sikeres.

8. Ne tegye ki az akkumulátort magas hőmérsékletnek vagy nyomásnak. Ne helyezze az akkumulátort mikrohullámú sütőbe, szárítógépbe vagy nagynyomású konténerbe.

9. Az akkumulátort tartsa tűztől távol, ha szivargást vagy áporodott szagot észlel.

10. Ne használja az akkumulátort erős statikus elektromosság közelében.

11. Azonnal vegye ki az akkumulátort a készülékből vagy a töltőből, és hagyja abba annak használatát, ha szivargást, áporodott szagot, felforrósodást, elszíneződést vagy deformációt észlel.

12. Ne merítse vízbe az akkumulátort, és ne hagyja, hogy folyadék kerüljön a belsejébe. Vezetékepes folyadék – például víz – bejutása tüzet vagy robbanást okozhat. Tárolja az akkumulátort hűvös, száraz helyen, az éghető és gyúlékony anyagoktól távol. Kerülni kell a korrozív gázok légkörbe jutását.

FIGYELEM

1. Ha az akkumulátorból szivárgó sav szembe jutna, semmiképpen ne dörzsölje, hanem öblítse ki folyó vízzel, és azonnal forduljon orvoshoz. Kezelés nélkül a folyadék látáskárosodást okozhat.

2. Ha a folyadék bőrrel vagy ruházatával érintkezik, azonnal mossa le folyó vízzel.

A folyadék irritálhatja a bőrt.

3. Ne használja az akkumulátort, és vigye azt vissza a kereskedőhöz, ha az első alkalommal való használatkor rozsdásodást, áporodott szagot, felforrósodást, elszíneződést, deformációt vagy egyéb rendellenességet észlel.

Magyar

FIGYELMEZTETÉS

Ha vezetőképes idegen anyag kerül a lítiumion akkumulátor terébe, rövidre zárhatja az akkumulátort, és tüzet okozhat. A lítiumion akkumulátor tárolásakor tartsa be az alábbi szabályokat.

- Ne tegyen vezetőképes hulladékot, szöveget és vezetőket, pl. vas- vagy rézvezetékét a tárolódobozba.
- Az akkumulátort tegye a szerszámba, vagy tegye rá az akkumulátor tárolás esetén használt fedelét, amíg nem látja a szellőzőnyílást (2. ábra), így elkerülheti a rövidzárlatot.


LÍTIUM-ION AKKUMULÁTOR SZÁLLÍTÁSÁVAL KAPCSOLATOS SZEMPONTOK

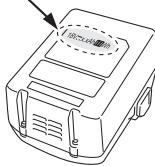
Lítium-ion akkumulátor szállítása közben tartsa be a következő óvintézkedéseket.

FIGYELMEZTETÉS

Értesítse a szállítványozó céget arról, hogy a szállítmány lítium-ion akkumulátort tartalmaz. Adja meg nekik az akkumulátor teljesítményét, illetve a szállítmány szervezése során tartsa be a szállítványozó utasításait.

- A 100 Wh kapacitást meghaladó lítium-ion akkumulátorok fuvarozási szempontból veszélyes árunak minősülnek, és különleges alkalmazási eljárásokat igényelnek.
- A külföldre történő szállításhoz meg kell felelnie a vonatkozó nemzetközi jogszabályoknak, illetve a célország szabályainak és előírásainak.

Teljesítmény
 Wh
 2–3 számjegy



AZ EGYES RÉSZEK ELNEVEZÉSE (1. - 12. ábra)














①	Tüzelőfej (kimenet)
②	Rúd
③	LED-lámpa
④	Indítógomb
⑤	Kampó
⑥	Akkumulátor
⑦	Rekesz
⑧	Akkumulátor fedél
⑨	Aljzatok
⑩	Szellőzőnyílások
⑪	Töltő
⑫	Szögfej
⑬	Szögtengely

⑭	Szög hegye
⑮	Mágnes
⑯	Mágneses terület
⑰	Szög
⑱	Meghajtó egység
⑲	Fém csatlakozás
⑳	Lyuk
㉑	Csavar
㉒	Vájat
㉓	Fogó

SZIMBÓLUMOK

FIGYELMEZTETÉS

Az alábbiakban a géphez alkalmazott jelöléseket soroltuk fel. A gép használata előtt feltétlenül ismerkedjen meg ezekkel a jelölésekkel.

	NH18DSL: Akkus szegező kalapács
	A sérülések kockázatának csökkentése érdekében, a használónak el kell olvasnia a használati útmutatót.
	A kezelőknek és más, a munkaterületen tartózkodó személyeknek oldalvédelemmel ellátott védőszemüveget kell viselniük.
	Soha ne irányítsa a szerszámot saját magára vagy a munkaterületen tartózkodó más személyekre.
	Vegye ki az akkumulátort
	Ne használja állványokon, létrákon
	Csak EU-országok számára Az elektromos kéziszerszámokat ne dobja a háztartási szemétkébe! A használt villamos és elektronikai készülékekről szóló 2012/19/EU irányelv és annak a nemzeti jogba való átültetése szerint az elhasznált elektromos kéziszerszámokat külön kell gyűjteni, és környezetbarát módon újra kell hasznosítani.
	Közvetlen áramellátás
	Súly (A 01/2014 EPTA (Európai Elektromos Kéziszerszámgyártók Egyesülete) szabványának megfelelően)
	Bekapcsolás
	Kikapcsolás
	Figyelmeztetés
	Tiltott művelet

MŰSZAKI ADATOK

1. Akkus szegező kalapács

Típus	NH18DSL
Feszültség	18 V
Ütések száma	4000 min ⁻¹
Alkalmazható szög	Ø1,7 – 4,1 mm (lásd az 1. táblázat)* ¹
Alkalmazható szög hossza	25 mm – 90 mm* ¹
Súly* ²	1,3 – 1,9 kg
Méret Magasság × Hosszúság	135 mm × 285 mm (BSL1815)

*1: Ellentartó fa: SPF, Cédrus

Lehet, hogy nem képes teljesen szögezni a kemény anyagokat, mint például a kanadai hemlokfenyő, MDF vagy laminált fűrészáru.

*2: Súly: A 01/2014 EPTA-eljárás szerint. A csatlakoztatott akkumulátortól függően. A legnehezebb súly BSL36B18-cal van mérve (külön kapható).

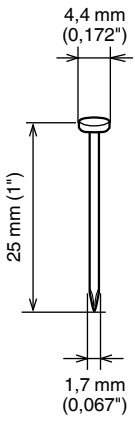
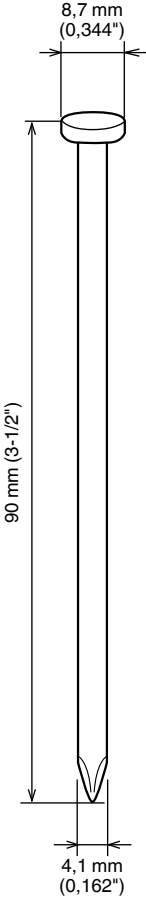
MEGJEGYZÉS

A HiKOKI folyamatos kutatási és fejlesztési programja következtében az itt szereplő műszaki adatok előzetes bejelentés nélkül változhatnak.

SZÖG KIVÁLASZTÁSA

Az alábbi méretű szögeket használja a szegező kalapácshoz.

1. táblázat

Min.	Max.
 <p>4,4 mm (0,172")</p> <p>25 mm (1")</p> <p>1,7 mm (0,067")</p>	 <p>8,7 mm (0,344")</p> <p>90 mm (3-1/2")</p> <p>4,1 mm (0,162")</p>

FIGYELMEZTETÉS

- Ne használjon más méretű szögeket.
Megrongálhatják a rudat, vagy ferdén kerülhetnek belövésre.
- Ügyeljen a szögfej méretére. A szögfej mérete nagy és kicsi között változhat a kereskedelmi forgalomban kapható ömlesztett szögek esetén.
- Ne használjon edzett szögeket.

MEGJEGYZÉS

- Lehet, hogy nem képes teljesen szögezni a kemény anyagokat, mint például a kanadai hemlockfenyő, MDF vagy laminált fűrészáru.

SZABVÁNY KIEGÉSZÍTŐK

FIGYELMEZTETÉS

- Az alábbiakban felsoroltakon kívül más tartozékok használata hibás működéshez és sérülésekhez vezethet.

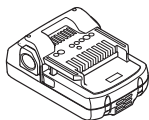


① Szemvédelem..... 1

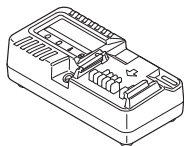
MEGJEGYZÉS: A tartozékokat a HiKOKI bármilyen kötelezettség nélkül megváltoztathatja.

OPCIONÁLIS KIEGÉSZÍTŐK (KÜLÖN ÉRTÉKESÍTVE)

1. Akkumulátor
 - BSL1815



2. Töltő
 - UC18YKSL (Töltési feszültség: 14,4 V – 18 V)



Részletes üzemeltetési információkat az Ellensúly készlet használati utasításában talál.

ALKALMAZÁSI TERÜLETEK

- Faanyagok általános szerkezetekben, szerelvényekben, fafedélzetekben, keretekben és felújításokban

TÖLTÉS

Az akkumulátor és az akkumulátortöltő nem tartozék. Kérjük, az újratölthető akkumulátort a használt töltő kezelési útmutatójának megfelelően töltsé. (5. ábra)

ÖSSZESZERELÉS ÉS HASZNÁLAT

Művelet	Ábra	Oldal
Az akkumulátor behelyezése és eltávolítása	3	2
A kapcsoló használata	4	2
Töltés	5	3
A rúd működésének ellenőrzése*1	6	3
Szögbelövés a mágnesen tartott szöggel*2	7	3
Szögbelövés az ujjal tartott szöggel.*3	8	3
A szög rögzítése a fém csatlakozóhoz*4	9	4
A kampó használata*5	10	4
Elakadás megszüntetése	11	4
A tartozékok kiválasztása	—	199

*1 FIGYELMEZTETÉS

- Ellenőrizze, hogy működés közben a rúd simán csúszik-e. Tisztítsa meg a csúszó területet a rúdon, ha nem csúszik simán.

*2 FIGYELMEZTETÉS

- Szög behelyezésekor a rúdra, a szög tengelyét fogja a hegye helyett.
- Szög behelyezésekor a rúdra, győződjön meg róla, hogy nem nyomja meg a meghajtó egység hegyét.
- Szög behelyezésekor a rúdra, ne tegye az ujját vagy a kezét a szög hegye alá.

*3 FIGYELMEZTETÉS

- Ha szögbelövéskor az ujjával tartja a szöget, először a szög hegyét helyezze a célterületre, majd helyezze a rudat a szög fejéhez.

*4 FIGYELMEZTETÉS

- Szögbelövéskor győződjön meg róla, hogy a szög hegye a fém csatlakozó lyukában van.

*5 FIGYELEM

- A kampó használatakor ügyeljen a szerszám gép megfelelő felakasztására, nehogy véletlenül leessen. A szerszám gép leesése balesetet okozhat.
- Az akkumulátort mindig távolítsa el a kampó használata esetén.
- Szerelje fel biztonságosan a kampót. Ha a kampó nincs biztonságosan felszerelve, használat közben sérülést okozhat.

FIGYELEM

Szögbelövéskor rövid ideig működtesse és kerülje a folyamatos működtetést. Ellenkező esetben meghibásodás vagy zsír szivárgása léphet fel.

KARBANTARTÁS ÉS ELLENŐRZÉS

FIGYELEM

A karbantartás és az ellenőrzés előtt mindig távolítsa el az akkumulátort a szegező kalapácsból.

FIGYELMEZTETÉS

- Húzza ki az akkumulátort és távolítsa el a szöget a szegező kalapácsból, ha:
 - 1) karbantartást és ellenőrzést végez; és
 - 2) elakadást szüntet meg.
- Anélkül, hogy az akkumulátort csatlakoztatná, ellenőrizze, hogy a rúd folyamatosan mozog-e a rúdvég például faanyagnak való nyomásával.

1. Elakadás megszüntetése (11. ábra)

- ① Vegye ki az akkumulátort a szegező kalapácsból.
- ② Egy fogóval távolítsa el az elakadt szöget.
- ③ Gyakori elakadás esetén vegye fel a kapcsolatot egy hivatalos HiKOKI szervizközponttal.

2. Rúd ellenőrzése (6. ábra)

Rendszeresen tisztítsa és zsírozza meg a rúd és az aljzat csúszó részét.

Ellenőrizze, hogy a rúd simán mozog-e a szegező kalapács például faanyagbak való nyomásával.

Amikor vaspor vagy hasonló tapad a mágnesezett területhez a rúdon belül, csökkenhet a szögek mágneses tartására való képesség. Tisztítsa meg néha a területet egy ronggyal vagy ragasztószalaggal.

Ezenkívül a rúd külső részén található mágnes is tisztítsa meg a vasporral ronggyal vagy ragasztószalaggal.

Ez a rúd sima működését eredményezi.

3. A rögzítőcsavarok ellenőrzése

Rendszeresen ellenőrizze az összes rögzítőcsavart, és ügyeljen rá, hogy azok megfelelően meg legyenek húzva. Ha valamelyik csavar ki lenne lazulva, azonnal húzza meg. Ennek elmulasztása súlyos veszéllyel járhat.

4. A motor karbantartása

A motor részegység az elektromos szerszám gép "szíve". Ügyelni kell arra, nehogy a motor tekeréscselése megrongálódjon és/vagy olajjal, illetve vízzel benedvesedjen.

Magyar

5. A készülék külső tisztítása

Ha a szerszám gép szennyeződött, törölje le puha, száraz ronggyal vagy benedvesített, szappanos ronggyal. Ne használjon klóros oldószereket, benzint vagy festékhígítót, mivel ezek szétmarhatják a műanyagot.

6. Tárolás

A szerszám gépet és az akkumulátort olyan helyen tárolja, ahol a hőmérséklet alacsonyabb 40°C-nál, valamint tartsa távol gyermekektől.

MEGJEGYZÉS

Lítiumion akkumulátorok tárolása.

Tárolás előtt győződjön meg róla, hogy a lítiumion akkumulátor teljesen fel van töltve.

Ha hosszú időn át, (három, vagy több hónap) alacsony töltéssel tárolja az akkumulátorokat, akkor csökkenhet a teljesítményük, ezáltal jelentősen csökken a használati idejük, és alkalmatlanná válhatnak a töltés megtartására. Az akkumulátor jelentősen lecsökkent használati ideje azonban visszaállítható, ha kettő-öt alkalommal feltölti, majd lemeríti az akkumulátort.

Ha az akkumulátor rendkívül hamar lemerül a folyamatos töltés és használat ellenére, akkor tekintse használhatatlannak, és vegyen újat.

FIGYELEM

A kéziszerszámok üzemeltetése és karbantartása során be kell tartani az adott országban érvényes biztonsági előírásokat és szabványokat.

Fontos megjegyzés a HiKOKI vezeték nélküli elektromos szerszámok akkumulátoraihoz

Minden esetben eredeti akkumulátorokat alkalmazzon. Ha nem általunk gyártott akkumulátort alkalmaz, vagy ha szétszereli és módosítja az akkumulátort (mint pl.: szétszerelés és cellák vagy más alkatrészek cseréje), nem garantálható vezeték nélküli elektromos szerszámaink biztonsága és teljesítménye.

GARANCIA

A HiKOKI Power Tools szerszámokra a törvényes/országos előírásoknak megfelelő garanciát vállalunk. A garancia nem vonatkozik a helytelen vagy nem rendeltetésszerű használatból, továbbá a normál mértékűnek számító elhasználódásból, kopásból származó meghibásodásokra, károokra. Reklamáció esetén kérjük, küldje el a - nem szétszerelt - szerszámot a kezelési útmutató végén található GARANCIA BIZONYLATTAL együtt a hivatalos HiKOKI szervizközpontba.

A környezeti zajra és vibrációra vonatkozó információk

A mért értékek az EN62841 szabványnak megfelelően kerültek meghatározásra és az ISO 4871 alapján kerülnek közzétételre.

Mért A-hangteljesítményszint: 107 dB (A)

Mért A-hangnyomásszint: 96 dB (A)

Bizonytalanság K 3 dB (A).

Viseljen hallásvédő eszközt.

EN62841 szerint meghatározott rezgési összetételek (háromtengelyű vektorösszeg).

Rezgéskibocsátás értéke: 15,5 m/s²

Bizonytalanság K = 1,5 m/s²

A közölt rezgési összetétel és a közölt zajkibocsátási érték mérése a szabványos vizsgálati eljárással megegyezően történt, és használható a szerszámok összehasonlítására. Ugyancsak használható a kibocsátás előzetes megbecslésére.

FIGYELMEZTETÉS

- Az elektromos kéziszerszám tényleges használat során tapasztalt rezgése és zajkibocsátása eltérhet a közölt értéktől a szerszám használati módjának függvényében, különös tekintettel a megmunkált munkadarab típusára; és
- Léptessen életbe a szerszám gép kezelőjét védő intézkedéseket a használat tényleges körülményei között becsült expozíció alapján (a használati ciklus minden elemét figyelembe véve, a bekapcsolt állapot mellett például azt az időt is, amikor a szerszám kikapcsolt állapotban van, vagy amikor üresjárásban működik).

MEGJEGYZÉS

A HiKOKI folyamatos kutatási és fejlesztési programja következtében az itt szereplő műszaki adatok előzetes bejelentés nélkül változhatnak.

OBCENÁ BEZPEČNOSTNÍ VAROVÁNÍ TÝKAJÍCÍ SE BEZPEČNOSTI ELEKTRICKÉHO NÁŘADÍ

⚠ VAROVÁNÍ

Přečtete si všechna varování, pokyny, nákresy a specifikace dodané k tomuto nářadí.

Nedodržení kteréhokoli z následujících varování a pokynů může vést k úrazu elektrickým proudem, ke vzniku požáru nebo vážnému zranění.

Všechna varování a pokyny uschovejte pro budoucí použití.

Výrazem „elektrické nářadí“ ve všech dále uvedených varováních je myšleno jak elektrické nářadí napájené ze sítě (se šňůrou), tak i nářadí napájené z akumulátoru (bez šňůry).

1) Bezpečnost na pracovišti

a) Udržujte vaše pracoviště v čistotě a dobře osvětlené.

Nepořádek a tmavá místa na pracovišti bývají příčinou nehod.

b) Nepoužívejte elektrické nářadí v prostředí s nebezpečím výbuchu, kde se vyskytují hořlavé kapaliny, plyny nebo prach.

V elektrickém nářadí vznikají jiskry, které mohou zapálit prach nebo výpary.

c) Při používání elektrického nářadí zamezte přístupu dětí a dalších osob.

Budete-li vyrušováni, můžete ztratit kontrolu nad prováděnou činností.

2) Elektrická bezpečnost

a) Zástrčka pohyblivého přívodu elektrického nářadí musí odpovídat síťové zásuvce. Nikdy se nepokoušejte zástrčku jakkoli upravovat. S uzemněným elektrickým nářadím nikdy nepoužívejte žádné zásuvkové adaptéry.

Zástrčky, které nejsou znehodnoceny úpravami, a odpovídající zásuvky snižují nebezpečí úrazu elektrickým proudem.

b) Zabraňte kontaktu těla s uzemněnými povrchy, jako jsou trubky, radiátory, sporáky a lednice. Nebezpečí úrazu elektrickým proudem je větší, je-li vaše tělo uzemněno.

c) Nevystavujte elektrické nářadí dešti, vlhku nebo mokru.

Voda, která vnikne do elektrického nářadí, zvýší nebezpečí úrazu elektrickým proudem.

d) Zacházejte správně s napájecí šňůrou. Nikdy nenoste a netahaňte elektrické nářadí za šňůru ani nevytrhávejte zástrčku ze zásuvky tahem za šňůru.

Chraňte napájecí šňůru před horkem, mastnotou, ostrými hranami a pohyblivými se částmi.

Poškozené nebo zamotané šňůry zvyšují nebezpečí úrazu elektrickým proudem.

e) Je-li elektrické nářadí používáno venku, použijte prodlužovací přívod vhodný pro venkovní použití.

Používání prodlužovacího přívodu pro venkovní použití snižuje nebezpečí úrazu elektrickým proudem.

f) Pokud je použití elektrického nářadí na vlhkém místě nevyhnutelné, použijte napájení s ochranným zařízením na zbytkový proud.

Použití zařízení na zbytkový proud snižuje riziko elektrického šoku.

3) Osobní bezpečnost

a) Při používání elektrického nářadí buďte pozorní, věnujte pozornost tomu, co právě děláte, soustředte se a střizlivě uvažujte.

Elektrické nářadí nepoužívejte, jste-li unaveni nebo pod vlivem drog, alkoholu nebo léků.

Chvilková nepozornost při používání elektrického nářadí může způsobit vážné zranění.

b) Používejte osobní ochranné prostředky. Vždy používejte ochranu očí.

Osobní ochranné prostředky, jako je respirátor, bezpečnostní obuv s protiskluzovou podrážkou, ochranná přilba nebo ochrana sluchu, používané v příslušných podmínkách snižují možnost zranění.

c) Zabraňte neúmyslnému spuštění. Před připojením ke zdroji napájení nebo akumulátorovému zdroji či před zvedáním nebo přenášením elektrického nářadí se ujistěte, že je spínač v poloze „vypnuto“.

Přenášení elektrického nářadí s prstem na spínači nebo zapojování zástrčky se zapnutým spínačem může být příčinou úrazu.

d) Před zapnutím elektrického nářadí odstraňte všechny seřizovací nástroje nebo klíče.

Seřizovací nástroj nebo klíč, který ponecháte připravený k rotující části elektrického nářadí, může způsobit zranění.

e) Pracujte jen tam, kam bezpečně dosáhnete. Vždy si udržujte stabilní postoj a rovnováhu.

Budete tak lépe ovládat elektrické nářadí v nepředvídaných situacích.

f) Oblékejte se vhodným způsobem. Nenoste volné oděvy ani šperky. Vlasy a oděv udržujte v dostačující vzdálenosti od pohybujících se částí.

Volné oděvy, šperky nebo dlouhé vlasy mohou být vtaheny do pohybujících se částí.

g) Pokud jsou k dispozici prostředky pro připojení zařízení k odsávání a sběru prachu, zajistěte, aby byla připojena a správně používána.

Použitím zařízení ke sběru prachu lze omezit nebezpečí způsobená vznikajícím prachem.

h) Nedovolte, aby díky častému používání nástroje Vaši činnost ovládla rutina, abyste neunuli na varůvnech a nezačali ignorovat zásady bezpečnosti pro tento přístroj.

Neopatrný postup může způsobit vážné zranění ve zlomku vteřiny.

4) Používání elektrického nářadí a péče o něj

a) Nepřetěžujte elektrické nářadí. Používejte vždy správné elektrické nářadí, které je určeno pro prováděnou práci.

Správné elektrické nářadí bude lépe a bezpečněji vykonávat práci, pro kterou bylo konstruováno.

b) Nepoužívejte elektrické nářadí, které nelze zapnout a vypnout spínačem.

Jakékoli elektrické nářadí, které nelze ovládat spínačem, je nebezpečné a musí být opraveno.

c) Před jakýmkoli seřizováním, před výměnou příslušenství nebo ukladáním elektrických nástrojů vždy nejprve odpojte zástrčku ze zdroje napájení nebo vyjměte baterie, pokud jsou vyjimatelné.

Tato preventivní bezpečnostní opatření snižují nebezpečí neúmyslného spuštění elektrického nářadí.

d) Nepoužívané elektrické nářadí skladujte mimo dosah dětí a nedovolte osobám, které nebyly seznámeny s nářadím nebo s těmito pokyny, aby nářadí používaly.

Elektrické nářadí je v rukou nevyškolených uživatelů nebezpečné.

- e) **Udržujte v pořádku elektrické nástroje a příslušenství.** Kontrolujte správný vzájemný zákryt a připojení pohyblivých se částí, soustředte se na praskliny, zlomené součásti a jakékoli další okolnosti, které mohou ohrozit funkci elektrického nástroje. Je-li nářadí poškozeno, před dalším používáním zajistěte jeho opravu.
Mnoho nehod vzniká v důsledku nedostatečně udržovaných elektrickým nářadím.
- f) **Udržujte řezací nástroje ostré a čisté.**
Správně udržované a naostřené řezací nástroje se s menší pravděpodobností zachytí za materiál nebo se zablokují a práce s nimi se snáze kontroluje.
- g) **Elektrické nářadí, příslušenství, vsazené části atd. používejte v souladu s těmito pokyny a takovým způsobem, jaký byl předepsán pro konkrétní elektrické nářadí, a to s ohledem na dané pracovní podmínky a druh prováděné práce.**
Používání elektrického nářadí k provádění jiných činností, než pro jaké bylo určeno, může vést k nebezpečným situacím.
- h) **Udržujte rukojeti a povrchy pro uchopení suché, čisté a bez oleje a vazelíny.**
Kluzké rukojeti a uchopovací povrchy neumožňují bezpečnou manipulaci a ovládání nářadí v neočekávaných situacích.
- 5) **Použití nářadí na baterie a péče o ně**
- a) **Dobíjejte pouze nabíječkou specifikovanou výrobcem.**
Nabíječka, která je vhodná pro jeden typ akumulátorového zdroje, může v případě použití s jiným akumulátorovým zdrojem způsobit nebezpečí požáru.
- b) **Elektrické nářadí používejte výhradně se specifikovanými akumulátorovými zdroji.**
Použitím jakéhokoli jiného akumulátorového zdroje může vzniknout nebezpečí zranění a požáru.
- c) **Pokud akumulátorové zdroje nepoužíváte, udržujte je mimo ostatní kovové předměty, jako jsou kancelářské sponky, mince, klíče, hřebíky, šroubky či jiné drobné kovové předměty, které mohou způsobit přemostění kontaktů.**
Vzájemné zkratování pólů akumulátoru může způsobit popáleniny nebo požár.
- d) **Při nevhodném zacházení může z akumulátoru vytékat kapalina; zabraňte kontaktu s ní. V případě náhodného kontaktu místo opláchněte vodou. Pokud kapalina vnikne do očí, vyhledejte lékařskou pomoc.**
Kapalina vytékající z akumulátoru může způsobit podráždění nebo popáleniny.
- e) **Nevystavujte akumulátorový zdroj nebo nástroj, který je poškozen nebo upraven.**
Poškozené nebo upravené akumulátory mohou vykazovat nepředvídatelné chování, které může vést k požáru, výbuchu nebo nebezpečí zranění.
- f) **Nevystavujte akumulátorový zdroj ani nástroj ohni nebo nadměrné teplotě.**
Vystavení ohni nebo teplotě nad 130°C může způsobit výbuch.
- g) **Dodržujte všechny pokyny pro nabíjení a nenabíjejte akumulátorový zdroj ani nástroj mimo rozsah teplot uvedených v pokynech.**
Nesprávný způsob nabíjení nebo nabíjení při teplotách mimo stanovený rozsah může poškodit akumulátor a zvýšit riziko požáru.

- 6) **Servis**
- a) **opravy vašeho elektrického nářadí svěřte kvalifikované osobě, která bude používat identické náhradní díly.**
Tímto způsobem bude zajištěna stejná rovněž bezpečnost elektrického nářadí jako před opravou.
- b) **Nikdy neopravujte poškozené akumulátory.**
Servis akumulátorových zdrojů by měl provádět pouze výrobce nebo autorizovaní poskytovatelé služeb.

PREVENTIVNÍ OPATŘENÍ

Neodvolte přístup dětem a nemohoucím osobám. Pokud nářadí nepoužíváte, měli byste je skladovat mimo dosah dětí a nemohoucích osob.

BEZPEČNOSTNÍ VAROVÁNÍ PRO AKUMULÁTOROVÉ AUTOMATICKÉ PNEUMATICKÉ KLADIVO

- Vždy předpokládejte, že nářadí obsahuje hřebíky.**
Neopatrné zacházení s automatickým pneumatickým kladivem může způsobit neočekávané vystřelení hřebíků a zranění.
- Neotáčejte nářadí směrem k sobě nebo komukoli v okolí.**
Neočekávané spuštění nářadí způsobí zranění vystřeleným hřebíkem.
- Nářadí neaktivujte, dokud není bezpečně položeno na spojovanou součást.**
Pokud není nářadí v kontaktu se spojovanou součástí, může dojít k vychýlení hřebíku mimo cíl.
- Dojde-li k zablokování hřebíku v nářadí, odpojte nářadí od zdroje energie.**
Při odstraňování zablokovaného hřebíku se může automatické pneumatické kladivo v případě jeho připojení ke zdroji energie náhodně aktivovat.
- Nepoužívejte toto automatické pneumatické kladivo k upevnění elektrických kabelů.**
Kladivo není určeno k instalaci elektrických kabelů a může poškodit izolaci elektrických kabelů a následně způsobit úraz elektrickým proudem nebo riziko požáru.
- Noste chrániče uší**
Působení hluku může způsobit ztrátu sluchu.
- Pokud je k elektrickému nářadí dodávána jedna nebo více přídavných rukojetí, použijte ji/je.**
Ztráta kontroly může vést ke zranění.
- Pokud nářadí používáte k operacím, které mohou vyústit ke styku se skrytými vodiči, držte nářadí za izolované plochy pro uchopení.**
Kontakt s elektrickým vedením pod napětím může přivést napětí i na kovové díly stroje a vést k zásahu elektrickým proudem.

DALŠÍ BEZPEČNOSTNÍ VAROVÁNÍ

- Ujistěte se, že během práce držíte pevně nářadí.**
V opačném případě může dojít k nehodě nebo zranění. (obr. 12)
- Bezpečný provoz zaručíte správným používáním nářadí.**
Toto nářadí je konstruováno pro zarážení hřebíků do dřeva a podobných materiálů. Používejte jej pouze k určenému účelu.
- Dávejte pozor na vznícení a výbuchy.**
Vzhledem k tomu, že při zarážení hřebíků mohou odletovat jiskry, je nebezpečné používat nářadí v blízkosti laků, barev, benzenu, ředidel, benzínu, plynů, lepidel a podobných hořlavých látek, neboť může dojít k jejich vznícení nebo výbuchu. V blízkosti takovýchto hořlavých materiálů by se toto nářadí v žádném případě nemělo používat.

4. Vždy používejte ochranu očí (ochranné brýle).



Při práci s elektrickým nářadím vždy noste ochranu očí a zajistěte, aby okolní lidé rovněž nosili ochranu očí.

Možnost vniknutí úlomků nesprávně trefených hřebíků do očí představuje nebezpečí pro zrak. Ochranu očí lze zakoupit v libovolném obchodě s nářadím. Při práci s tímto nářadím vždy noste ochranu očí. Používejte ochranné brýle nebo širokouhlou masku nasazenou přes dioptrické brýle.

Zaměstnavatelé by měli vždy dbát na používání výrobků pro ochranu očí.

5. Chraňte rovněž své uši a hlavu.

Při práci na zarážení hřebíků používejte chrániče uší a ochranu hlavy. Také podle podmínek zajistěte, aby okolní lidé nosili ochranu uší a ochranu hlavy.

6. Věnujte pozornost těm, kteří pracují blízko vás.

Bylo by velmi nebezpečné, kdyby nesprávně zasažené hřebíky zasáhly jiné lidi. Proto při používání tohoto nářadí vždy věnujte pozornost bezpečnosti lidí kolem vás. Vždy se ujistěte, že se v blízkosti výstupu hřebíků nenachází tělo, ruce ani nohy nějaké osoby.

7. Nikdy neotáčejte výstup hřebíků směrem k jiným osobám.



Vždy předpokládejte, že nářadí obsahuje hřebíky.

Pokud je výstup hřebíků namířen směrem k libovolným osobám, může při náhodném spuštění nářadí dojít k vážným nehodám. Při připojování a odpojování akumulátoru, při zakládání hřebíků a podobných operacích dávejte pozor, aby nebyl výstup hřebíků namířen na žádnou osobu (včetně vás). I když nejsou v nářadí vloženy žádné hřebíky, je stále nebezpečné spustit nářadí namířené na nějakou osobu, proto to nikdy nezkoušejte. Nezkoušejte žádné dětské hříčky. Respektujte nářadí jako pracovní nástroj.

8. Před použitím zkontrolujte tyč.

Ujistěte se, že tyč funguje správně. Nikdy nepoužívejte automatické pneumatické kladivo, pokud tyč nepracuje správně, jinak by mohlo dojít k neočekávanému vystřelení hřebíku automatickým pneumatickým kladivem. Nemanipulujte s tyčí ani ji nevyjímejte, jinak přestane správně pracovat.

9. Používejte pouze specifikované hřebíky.

Nikdy nepoužívejte jiné hřebíky než specifikované a popsané v tomto návodu.

10. Při připojování akumulátoru buďte opatrní.

Při připojování akumulátoru a zakládání hřebíků věnujte pozornost následujícímu, abyste zamezili nechtěnému spuštění nářadí.

- Nedotýkejte se spouště.
- Zabraňte kontaktu zářezecí hlavičky s jinou plochou.
- Zářezecí hlavičky držte směrem dolů.

Striktně dodržujte výše uvedené pokyny a vždy se ujistěte, že žádná část těla, rukou ani nohou není nikdy před výstupem hřebíků.

11. Nepokládejte bezstarostně prst na spoušť.

Nepokládejte prst na spoušť v jiných situacích, než kdy skutečně zarážíte hřebíky. Pokud přenášíte toto nářadí nebo jej předáváte někomu jinému v okamžiku, kdy máte prst na spoušti, můžete náhodně vystřelit hřebík a způsobit nehodu.

12. Výstup hřebíků přitiskněte pevně ke spojovanému materiálu.

Při zarážení hřebíků přitiskněte pevně výstup hřebíků ke spojovanému materiálu. Pokud není výstup hřebíků správně nastaven, mohou se hřebíky odrazit zpět.

13. Při použití nářadí udržujte ruce a nohy mimo zářezecí hlavičku.



Náhodné zasažení ruky nebo nohy hřebíkem je velmi nebezpečné.

14. Dávejte pozor na zpětný ráz nářadí.

Nepřibližujte se hlavou k horní části nářadí za provozu. To je nebezpečné, protože nářadí se může prudce odrazit v případě, že dojde ke kontaktu nového hřebíku s dřívě zaráženým hřebíkem nebo sukem ve dřevě.

15. Při zarážení hřebíků do tenkých desek nebo okrajů dřeva buďte opatrní.

Při zarážení hřebíků do tenkých desek mohou hřebíky projít celé skrz, k čemuž může dojít rovněž při zarážení hřebíků do okrajů dřevěných součástí v důsledku vychýlení hřebíku. V takových případech se vždy ujistěte, že za tenkou desku nebo vedle dřeva, do kterých budete zarážet hřebíky, se nenachází žádná osoba (ani ničí ruka nebo noha atd.).

16. Současné zarážení hřebíků z obou stran stejné stěny je nebezpečné.

Zarážení hřebíků na obou stranách stěny současně by se nemělo provádět za žádných okolností. Je to velmi nebezpečné, protože hřebíky mohou projít skrz stěnu a způsobit zranění.

17. Nepoužívejte elektrické nářadí na lešení, žebříkách.

Elektrické nářadí nesmí být používáno například v konkrétních případech:

- při přemísťování z jednoho pracoviště na jiné za použití lešení, schodů, žebříků nebo podobných konstrukcí, např. střešních latí,
- při uzavírání krabic nebo beden,
- při montáži zabezpečení dopravních systémů např. na vozídlích a vagoněch

18. Vyjměte z automatického pneumatického kladiva všechny zbývající hřebíky a akumulátor, pokud:

- 1) provádíte údržbu a kontrolu;
- 2) kontrolujete správnou funkci tyče a spouště;
- 3) odstraňujete zaseknutý hřebík;
- 4) nářadí nepoužíváte;
- 5) opouštíte pracoviště;
- 6) přemísťujete se na jiné místo; a
- 7) předáváte nářadí jiné osobě.

Nikdy se nepokoušejte odstranit zaseknutý hřebík nebo opravovat automatické pneumatické kladivo před vyjmutím akumulátoru a zbývajících hřebíků z automatického pneumatického kladiva.

Automatické pneumatické kladivo byste nikdy neměli nechávat bez dozoru, protože by s ním mohli manipulovat lidé bez znalosti automatického pneumatického kladiva a způsobit si zranění.

19. Při čištění elektrického nářadí nepoužívejte benzín ani jiné hořlavé kapaliny.

Pokud se do elektrického nářadí dostanou výpary z hořlavé kapaliny, hrozí nebezpečí, že jiskry vzniklé při spojování materiálů apod. mohou způsobit výbuch.

20. Provozní podmínky pro toto zařízení jsou stanoveny na 0°C až 40°C, proto zajistěte jeho použití v tomto teplotním rozsahu. Zařízení může přestat pracovat při teplotách pod 0°C nebo nad 40°C.

21. NIKDY nedovoľte, aby se v blízkosti automatického pneumatického kladiva nacházely magnety (nebo podobná magnetická zařízení), protože automatické pneumatické kladivo obsahuje uvnitř rovněž magnet.

Pokud tak učiníte, riskujete poruchu nářadí nebo zranění v důsledku poruchy nářadí.

22. Po déletrvajícím nepřetržitě práci nechte nářadí nějakou dobu v klidu.

Čeština

- Elektrické nářadí je vybaveno tepelnou ochranou chránící motor. Nepřetržitý provoz může způsobit vzestup teploty jednotky, čímž se zaktivuje tepelná ochrana a provoz nářadí se automaticky zastaví. Pokud k tomu dojde, nechte elektrické nářadí před jeho opětovným použitím vychladnout.**
- Výrobek může přestat pracovat v případě detekce abnormálního stavu.**
- Nedívejte se přímo do světla.** Mohlo by dojít ke zranění.
Opatrně otřete jemným hadříkem všechnu špinu a nečistoty, které ulpěly na čočce LED světla, a dávejte pozor, abyste čočku nepoškrábalí.
Poškrábání čočky LED světla může mít za následek snížení jasu.

Dále prosím dbejte následujících varování a upozornění.

VAROVÁNÍ

Abyste předešli případnému úniku kapaliny z baterie, vzniku tepla, emisím kouře, výbuchu a vznícení, dbejte následujících bezpečnostních pokynů.

- Ujistěte se, že se na akumulátoru neusazují piliny a prach.
 - Během práce kontrolujte, že na akumulátor nepadají piliny a prach.
 - Ujistěte se, že se piliny a prach padající během práce na elektrický nástroj neusazují na akumulátoru.
 - Akumulátor, který nepoužíváte, neskladujte na místě vystaveném pilinám a prachu.
 - Před uskladněním akumulátoru odstraňte veškeré piliny a prach, který na ní může být usazený, a neskladujte ho společně s kovovými předměty (šroubky, hřebíky atd.).
- Nepropichujte baterii ostrým předmětem jako je nehet, nebouchejte do ní klavírem, nestoupejte na ni, neházejte jí ani ji nevystavujte závažným fyzickým šokům.
- Nepoužívejte viditelně poškozenou či deformovanou baterii.
 - Nepoužívejte baterii s obrácenou polaritou.
- Nepřipojujte ji přímo k elektrickému výstupu ani k zásuvce cigaretového zapalovače v automobilu.
- Nepoužívejte baterii k jinému než specifikovanému účelu.
- Pokud se nabíjení baterie nedokončí, i když uvedená doba nabíjení uplynula, ihned zastavte další nabíjení.
- Nevystavujte baterii působení vysokých teplot nebo vysokého tlaku, neumísťte ji např. do mikrovlnné trouby, sušičky nebo vysokotlakého zásobníku.
- V případě zjištění úniku nebo zápachu okamžitě umístěte z dosahu ohně.
- Nepoužívejte v oblasti se silnou statickou elektřinou.
- V případě úniku kapaliny z baterie, zápachu, vznikajícího tepla, ztráty barvy, deformace nebo v případě jakékoli abnormality během používání, nabíjení nebo skladování baterii okamžitě vyjměte z přístroje či nabíječky a přestaňte ji používat.
- Akumulátor nepotápějte ani nenechte vniknout dovnitř žádné tekutiny. Vniknutí vodivých kapalin, jako je voda, může způsobit poškození s následkem požáru nebo výbuchu. Akumulátor skladujte na chladném, suchém místě, stranou od vznětlivých a hořlavých předmětů. Je nutné se vyvarovat prostředí s žiravým plynem.

POZOR

- Pokud se vám kapalina unikající z baterie dostane do očí, netřete si je a dobře je vymyjte čistou vodou jako je voda z vodovodu a ihned kontaktujte lékaře.
Bez ošetření může kapalina způsobit problémy se zrakem.
- Pokud se kapalina dostane do kontaktu s vaší pokožkou či oděvem, ihned omýjte čistou vodou jako je voda z vodovodu.
Kapalina může způsobit podráždění kůže.
- Zjistěte-li při prvním použití baterie rez, zápach, přehřátí, ztrátu barvy, deformaci a/nebo jinou abnormalitu, nepoužívejte ji a vraťte ji vašemu dodavateli či prodejci.

VAROVÁNÍ

Pokud se vodivé cizí těleso dostane na kontakty lithium-iontového akumulátoru, akumulátor se může zkratovat a způsobit požár. Při skladování lithium-iontových akumulátorů se řiďte následujícími předpisy a řádně je dodržujte.

- Neumísťujte vodivé úlomky, hřebíky a vodiče, například železné a měděné dráty do krabice určené pro skladování.
- Za účelem zabránění zkratu vložte akumulátor do nářadí nebo jej bezpečně uložte do krytu pro akumulátor tak, aby byly skryty ventilační otvory (**obr. 2**).

BEZPEČNOSTNÍ OPATŘENÍ TÝKAJÍCÍ SE AKUMULÁTORU A NABÍJEČKY

- Akumulátor vždy nabíjete při okolní teplotě v rozmezí 0–40°C.**
Při teplotě nižší než 0°C může dojít k přebíání akumulátoru, což je nebezpečné. Akumulátor nelze nabíjet při teplotě přesahující 40°C.
Optimální teplota pro nabíjení se pohybuje v rozsahu 20–25°C.
- Nabíječku nepoužívejte nepřetržitě.**
Jakmile dokončíte nabíjení, nabíječku nechte před dalším nabíjením odpočinout po dobu 15 minut.
- Zajistěte, aby do otvoru pro připojení dobíjecího akumulátoru nevnikly cizí předměty nebo nečistoty.**
- Nikdy nerozebírejte dobíjecí akumulátor nebo nabíječku.**
- Dobíjecí akumulátor nikdy nezkratujte.**
Zkrat akumulátoru způsobí prudký nárůst elektrického proudu a přehřátí. To vede ke spálení nebo poškození akumulátoru.
- Nevhazujte akumulátor do ohně.**
Akumulátor může v takovém případě explodovat.
- Použitím vyčerpaného akumulátoru můžete poškodit nabíječku.**
- Jakmile akumulátor dosáhne konce životnosti a není možné jej již více používat, odevzdejte jej do prodejny, ve které jste jej zakoupili.**
Nevyhazujte vybité akumulátory.
- Do větracích otvorů v nabíječce nevkláděte žádné předměty.**
Pokud do větracích otvorů nabíječky vložíte kovové nebo hořlavé předměty, může dojít k úrazu elektrickým proudem nebo poškození nabíječky.

UPOZORNĚNÍ PRO LITHIUM-IONOVÉ BATERIE

Z důvodu prodloužení životnosti je lithium-ionová baterie vybavena ochrannou funkcí zastavení výkonu.

V případech 1 až 3 popsaných níže se může motor během používání tohoto výrobku zastavit, přestože držíte spínač. Nejedná se o závadu ale o výsledek ochranné funkce.

- Jakmile dojde k vybití zbývající kapacity baterie, motor se zastaví.
V takovém případě baterii okamžitě dobijte.
- Pokud je nástroj přetížen, motor se může zastavit. V takovém případě uvolněte spínač nástroje a odstraňte příčinu přetížení. Potom můžete nástroj znovu používat.
- Je-li baterie přehřátá a přetížená, může se bateriový pohon zastavit.
V tom případě přestaňte baterii používat a nechte ji vychladnout. Poté ji můžete opět používat.

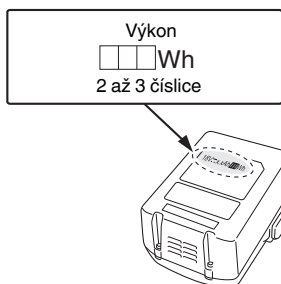
TÝKAJÍCÍ SE PŘEPRAVY LITHIUM-IONTOVÝCH BATERIÍ

Při přepravě lithium-iontové baterie se řiďte následujícími opatřeními.

VAROVÁNÍ

Uvědomte přepravní společnost, že balení obsahuje lithium-iontovou baterii, informujte společnost o jejím výkonu a postupujte podle instrukcí přepravní společnosti při domlouvání přepravy.

- Lithium-iontové baterie, jejichž výkon přesahuje 100 Wh, jsou považovány z hlediska přepravní klasifikace za nebezpečné zboží a budou vyžadovat zvláštní aplikační postupy.
- Pro přepravu do zahraničí musíte postupovat v souladu s mezinárodním právem, předpisy a nařízeními cílové země.



21	Šroub
22	Drážka
23	Kleště

SYMBOLY

VAROVÁNÍ

Následující text obsahuje symboly, které jsou použity na zařizení. Než začnete nářadí používat, ujistěte se, že rozumíte jejich významu.

	NH18DSL: Akumulátorové automatické pneumatické kladivo
	Aby se snížilo riziko zranění, uživatel si musí přečíst návod k obsluze.
	Pracovníci a ostatní osoby na pracovišti musí nosit bezpečnostní brýle se štíty sahajícími do stran.
	Nikdy nemiřte nářadím na sebe ani ostatní osoby na pracovišti.
	Odpojte baterii
	Nepoužívejte na ležení, žebříky.
	Jen pro státy EU Elektrické nářadí nevyhazujte do komunálního odpadu! Podle evropské směrnice 2012/19/EU o nakládání s použitými elektrickými a elektronickými zařízeními a odpovídajících ustanovení právních předpisů jednotlivých zemí se použitá elektrická nářadí musí sbírat odděleně od ostatního odpadu a podrobit ekologicky šetrnému recyklování.
	Stejnoseměrný proud
	Hmotnost (Podle metody EPTA 01/2014)
	ZAPNUTÍ
	VYPNUTÍ
	Varování
	Zakázaná akce

NÁZVY SOUČÁSTÍ (obr. 1 – obr. 12)

①	Zarážecí hlavice (výstup hřebíků)
②	Tyč
③	LED světlo
④	Spoušť
⑤	Háček
⑥	Akumulátor
⑦	Aretace
⑧	Kryt akumulátoru
⑨	Kontakty
⑩	Ventilační otvory
⑪	Nabíječka
⑫	Hlava hřebíku
⑬	Dřík hřebíku
⑭	Špička hřebíku
⑮	Magnet
⑯	Zmagnetizovaná oblast
⑰	Hřebík
⑱	Zarážecí jednotka
⑲	Kovový spoj
⑳	Otvor

SPECIFIKACE

1. Akumulátorové automatické pneumatické kladivo

Model	NH18DSL
Napětí	18 V
Počet úderů	4000 min ⁻¹
Použitelné hřebíky	ø1,7 – 4,1 mm (viz Tabulka 1)*1
Použitelná délka hřebíků	25 mm až 90 mm*1
Hmotnost*2	1,3 – 1,9 kg
Rozměry Výška x Délka	135 mm x 285 mm (BSL1815)

*1: Protilehlé dřevo: SPF, cedr

Nemusí být možné plně zatlouct hřebík do tvrdých materiálů jako je smrk, MDF nebo laminované dřevo.

*2: Hmotnost: Podle Procedura EPTA 01/2014. Závisí na připojené baterii. Nejtěžší hmotnost je naměřena s BSL36B18 (prodává se samostatně).

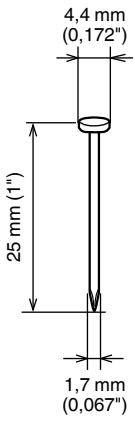
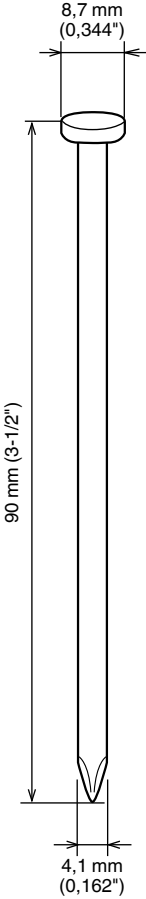
POZNÁMKA

Vlivem neustále pokračujícího výzkumného a vývojového programu společnosti HiKOKI mohou zde uvedené parametry podléhat změnám bez předchozího upozornění.

VÝBĚR HŘEBÍKŮ

Pro toto automatické pneumatické kladivo používejte hřebíky následujících velikostí.

Tabulka 1

Min.	Max.
 <p>4,4 mm (0,172")</p> <p>25 mm (1")</p> <p>1,7 mm (0,067")</p>	 <p>8,7 mm (0,344")</p> <p>90 mm (3-1/2")</p> <p>4,1 mm (0,162")</p>

VAROVÁNÍ

- Nepoužívejte hřebíky jiných velikostí. Mohou poškodit tyč nebo být zaráženy v šikmém směru.
- Dbejte na správnou velikost hlav hřebíků. Velikost hlavy hřebíku se může u běžně dostupných hřebíků lišit od velké až po malou.
- Nepoužívejte tvrzené hřebíky.

POZNÁMKA

- Nemusí být možné plně zatlouct hřebík do tvrdých materiálů jako je smrk, MDF nebo laminované dřevo.

STANDARDNÍ PŘÍSLUŠENSTVÍ

VAROVÁNÍ

- Jiné než níže uvedené příslušenství může vést k poruše a zranění.

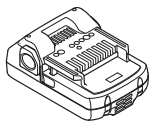
- ① Ochrana očí.....1



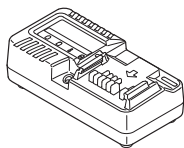
POZNÁMKA: Příslušenství se může měnit bez jakéhokoli závazku ze strany společnosti HIKOKI.

VOLITELNÉ PŘÍSLUŠENSTVÍ (PRODÁVÁ SE SAMOSTATNĚ)

1. Akumulátor
○ BSL1815



2. Nabíječka
○ UC18YKSL (Nabíjecí napětí: 14,4 V – 18 V)



Volitelná příslušenství podléhají změnám bez předešlého upozornění.

POUŽITÍ

- Dřevěné materiály v běžných stavbách, armování, dřevěné podlahy, konstrukce a opravy

NABÍJENÍ

Baterie a nabíječka baterií nejsou součástí dodávky. U akumulátorů provádějte nabíjení podle pokynů k používané nabíječce. (obr. 5)

MONTÁŽ A PROVOZ

Činnost	Obrázek	Strana
Vložení a vyjmutí akumulátoru	3	2
Činnost spínače	4	2
Nabíjení	5	3
Kontrola provozu tyče*1	6	3
Zarážení hřebíků za současného držení hřebíku magnetem*2	7	3
Zarážení hřebíků za současného držení hřebíku prsty.*3	8	3
Upevnění hřebíku na kovový spoj*4	9	4
Použití háčku*5	10	4
Odstranění zaseknutého hřebíku	11	4
Výběr příslušenství	—	199

*1 VAROVÁNÍ

- Ujistěte se, že tyč má za provozu hladký klouzavý chod. Pokud není pohyb tyče plynulý, vyčistěte kluznou oblast tyče.

*2 VAROVÁNÍ

- Při zakládání hřebíku do tyče držte hřebík za dřík, nikoli za špičku.
- Při zakládání hřebíku do tyče se ujistěte, že nestlačujete konec zarážecí jednotky.
- Při zakládání hřebíku do tyče nedávejte prsty nebo ruce pod špičku hřebíku.

*3 VAROVÁNÍ

- Při zarážení hřebíku drženého prsty nejprve umístěte špičku hřebíku na cíl a poté položte tyč na hlavu hřebíku.

*4 VAROVÁNÍ

- Při zarážení hřebíku se ujistěte, že špička hřebíku je v otvoru kovového spoje.

*5 UPOZORNĚNÍ

- Při použití háčku pečlivě zavěste elektrické nářadí, aby nedošlo k jeho náhodnému pádu. Pokud dojde k pádu nářadí, může dojít k nehodě.
- Při použití háčku se ujistěte, že je vyjmut akumulátor.
- Namontujte pevně háček. Pokud háček není pevně namontován, může během používání způsobit úraz.

UPOZORNĚNÍ

Při nastřelování hřebíku pracujte pouze po krátkou dobu a vyhněte se nepřetržité práci. V opačném případě může dojít k poruše nebo úniku maziva.

ÚDRŽBA A KONTROLA

UPOZORNĚNÍ

Před údržbou a prohlídkou zařízení vyjměte akumulátor z automatického pneumatického kladiva.

VAROVÁNÍ

- Odpojte akumulátor a vyjměte jej z automatického pneumatického kladiva, pokud:
 - 1) provádíte údržbu a kontrolu; a
 - 2) odstraňujete zaseknutý hřebík.
- Bez předchozího připojení akumulátoru zkontrolujte přítisknutím tyče k materiálu, jako je dřevo, jestli se tyč plynule pohybuje.

1. Odstranění zablokovaného hřebíku (obr. 11)

- ① Vyjměte akumulátor z automatického pneumatického kladiva.
- ② Kleštěmi odstraňte zaseknutý hřebík.
- ③ V případě častého zasekávání hřebíků kontaktujte autorizovaný servis HIKOKI.

2. Kontrola tyče (obr. 6)

Pravidelně čistěte a namažte posuvnou část tyče a objímku.

Přítisknutím automatického pneumatického kladiva k materiálu, jako je dřevo, zkontrolujte plynulost pohybu tyče.

Pokud přilíhne k zmagnetizované oblasti na tyči kovové úlomky a podobné objekty, sníží se schopnost zařízení magneticky držet hřebík. Vyčistěte občas tuto oblast hadříkem nebo lepicí páskou.

Rovněž občas odstraňte železný prach na magnetu vně tyče hadříkem nebo lepicí páskou.

Zajistěte tak hladký chod tyče.

3. Kontrola montážních šroubů

Pravidelně kontrolujte montážní šrouby a ujistěte se, že jsou správně utaženy. Ihned utáhněte volné šrouby. Neutažené šrouby mohou vést k vážným úrazům.

4. Údržba motoru

Vinutí jednotky motoru je vlastním „srdцем“ motorem poháněného nástroje.

Věnujte náležitou péči kontrole toho, zda není vinutí poškozené a/nebo navlhle olejem nebo vodou.

5. Údržba povrchu

Pokud je elektrické nářadí znečištěné, otřete jej měkkým suchým hadříkem nebo hadříkem navlhčeným v mýdlové vodě. Nepoužívejte rozpouštědla s obsahem chlóru, benzin ani ředidlo, jelikož tyto látky rozpouštějí umělé hmoty.

6. Skladování

Elektrické nářadí a akumulátor skladujte na místě s teplotou nižší než 40°C a mimo dosah dětí.

POZNÁMKA

Skladování lithium-iontových akumulátorů.

Před uskladněním lithium-iontových akumulátorů zkontrolujte, zda jsou plně nabitě.

Dlouhodobější skladování (3 měsíce a déle) málo nabitých akumulátorů může způsobit snížení jejich výkonu, výrazně snížit dobu použití, případně může dojít ke ztrátě schopnosti akumulátoru držet zátěž.

Výrazně sníženou dobu použití však lze obnovit dvěma až pěti cykly opakovaného nabíjení a využití akumulátorů.

Pokud je doba využití akumulátoru extrémně krátká, nehleďte na to, že jste jej opakovaně nabili a použili, zkontrolujte, zda není akumulátor nefunkční a zvažte pořízení nového akumulátoru.

UPOZORNĚNÍ

Při obsluze a údržbě elektrických zařízení musí být dodržovány bezpečnostní předpisy a normy platné v každé zemi, kde je výrobek používán.

Důležité upozornění týkající se baterií pro elektrické akumulátorové nástroje

Používejte vždy jednu z námi specifikovaných originálních baterií. Nemůžeme zaručit bezpečnost a výkonnost našeho elektrického akumulátorového nástroje pokud jsou používány jiné, než námi specifikované baterie nebo pokud je baterie rozebrána a změněna (jako např. rozebrání a nahrazení článku baterie nebo jiných vnitřních částí).

ZÁRUKA

Ručíme za to, že elektrické nářadí HiKOKI splňuje zákonné/místně platné předpisy. Tato záruka nezahrnuje závady nebo poškození vzniklé v důsledku nesprávného použití, hrubého zacházení nebo normálního opotřebení. V případě reklamace zašlete prosím elektrické nářadí v nerozebraném stavu společně se ZÁRUČNÍM LISTEM připojeným na konci těchto pokynů pro obsluhu do autorizovaného servisního střediska firmy HiKOKI.

Informace o hluku a vibracích

Měřené hodnoty byly určeny podle EN62841 a deklarovány ve shodě s ISO 4871.

Změřená vážená hladina akustického výkonu A: 107 dB (A)

Změřená vážená hladina akustického tlaku A: 96 dB (A)

Nejistota K : 3 dB (A).

Používejte ochranu sluchu.

Celkové hodnoty vibrací (vektorový součet triax) stanovené dle normy EN62841.

Hodnota vibračních emisí: 15,5 m/s²

Nejistota K = 1,5 m/s²

Deklarovaná celková hodnota vibrací a deklarovaná hodnota hlukových emisí byly změřeny v souladu se standardním zkušebním postupem a lze je použít ke vzájemnému srovnávání jednotlivých nářadí.

Lze je rovněž použít k předběžnému posouzení expozice pracovníka jejich účinkům.

VAROVÁNÍ

- Vibrace a hlukové emise se mohou během skutečného používání elektrického nářadí lišit od deklarovaných celkových hodnot v závislosti na způsobech použití nářadí, zejména na druhu zpracovávaného obrobku; a
- Stanovte bezpečnostní opatření k ochraně obsluhy založená na odhadu vystavení vlivům v daných podmínkách použití (v úvahu je třeba vzít všechny části pracovního cyklu, například doby, kdy je nářadí vypnuté i kdy běží naprázdno před spuštěním).

POZNÁMKA

Vlivem stále pokračujícího výzkumného a vývojového programu HiKOKI mohou zde uvedené parametry podléhat změnám bez předchozího upozornění.

GENEL ELEKTRİKLİ ALET GÜVENLİK UYARILARI

⚠ UYARI

Bu elektrikli aletle birlikte verilen tüm güvenlik uyarılarını, talimatları, şekilli açıklamaları ve teknik özellikleri okuyun.

Aşağıda listelenen tüm talimatlara uyulmaması elektrik çarpmasına, yangına ve/veya ciddi yaralanmaya neden olabilir.

Bu kılavuzu gelecekte başvurmak üzere saklayın.

Uyarılarda kullanılan “elektrikli alet” terimi, şebeke elektrifiyle çalışan (kablolu) veya pille çalışan (kablosuz) elektrikli aletinizi belirtir.

1) Çalışma alanının güvenliği

- Çalışma alanını iyi aydınlatılmış ve temiz tutun.**
Dağınık veya karanlık alanlar kazalara davetiye çıkarır.
- Elektrikli aletleri yanıcı sıvı, gaz veya toz gibi patlayıcı maddelerin bulunduğu ortamlarda çalıştırmayın.**
Elektrikli aletlerin çıkardığı kıvılcımlar toz veya gaz halindeki bu maddeleri ateşleyebilir.
- Bir elektrikli aletle çalışırken çocukları ve izleyicileri uzaklaştırın.**
Dikkatinizin dağılması kontrolü kaybetmenize neden olabilir.

2) Elektrik güvenliği

- Elektrikli aletin fişi elektrik prizine uygun olmalıdır.**
Fiş üzerinde herhangi bir değişiklik yapmayın.
Topraklanmış elektrikli aletlerle herhangi bir adaptör kullanmayın.
Fişlerde değişiklik yapılmaması ve uygun prizlerde kullanılması elektrik çarpması riskini azaltacaktır.
- Borular, radyatörler, fırınlar ve buzdolapları gibi topraklanmış yüzeylerle gövde temasından kaçının.**
Vücudunuzun toprakla temasa geçmesi halinde elektrik çarpması riski artar.
- Elektrikli aletleri yağmura veya ıslak ortamlara değer bırakmayın.**
Elektrikli alete su girmesi elektrik çarpması riskini artıracaktır.
- Elektrik kablosuna zarar vermeyin. Kesinlikle elektrikli aleti taşımak, çekmek veya fişini prizden çıkarmak için kabloyu kullanmayın.**
Kabloyu ısıdan, yağdan, keskin kenarlardan veya hareketli parçalardan uzak tutun.
Hasar görmüş veya dolaşmış kablolar elektrik çarpması riskini artırır.
- Elektrikli aleti açık alanda kullanırken, açık alanda kullanıma uygun bir uzatma kablosu kullanın.**
Açık alanda kullanıma uygun bir kablo kullanılması elektrik çarpması riskini azaltır.
- Eğer bir elektrikli aletin ıslak bir yerde kullanılması kaçınılmaz ise, artık akım cihazıyla (RCD) korunan bir güç kaynağı kullanın.**
RCD kullanılması elektrik çarpması riskini azaltır.

3) Kişisel emniyet

- Bir elektrikli alet kullanırken daima tetikte olun; yaptığınız işi izleyin ve sağduyulu davranın.**
Aleti yorgunken, alkol veya ilaç etkisi altındayken kullanmayın.
Elektrikli aletleri kullanırken göstereceğiniz bir anlık dikkatsizlik ciddi yaralanmaya sonuçlanabilir.

- Kişisel koruyucu donanım kullanın. Daima koruyucu gözlük takın.**
Uygun koşullar için kullanılan bir toz maskesi, kaymaz emniyet ayakkabıları, kask veya kulak koruyucu gibi koruyucu ekipmanlar yaralanmaları azaltacaktır.
 - Aletin istenmeden çalışmasını engelleyin.**
Aleti güç kaynağına ve/veya akü ünitesine bağlamadan, kaldırmadan veya taşımadan önce, güç düğmesinin kapalı konumda olduğundan emin olun.
Elektrikli aletleri parmağınız güç düğmesinin üzerinde olarak taşımanız veya güç düğmesi açılmış durumda fişini takmanız kazalara davetiye çıkarır.
 - Elektrikli aletin gücünü açmadan önce alet üzerindeki ayar veya somun anahtarlarını çıkarın.**
Aletin dönen parçalarından birine bağlı kalan bir somun anahtar veya ayar anahtar yaralanmaya yol açabilir.
 - Çok uzanmayın. Uygun bir adım mesafesi bırakın ve sürekli olarak dengenizi koruyun.**
Böylece, beklenmedik durumlarda aleti daha iyi kontrol etmeniz mümkün olur.
 - Uygun şekilde giyinin. Bol elbiseler giymeyin veya takı takmayın. Saçlarınızı ve elbisenizi hareketli parçalardan uzak tutun.**
Bol elbiseler, takılar veya uzun saçlar hareketli parçalara takılabilir.
 - Eğer toz çekme ve toplama bağlantıları için gerekli aygıtlar sağlanmışsa, bunların bağlı olduğundan ve doğru şekilde kullanıldığından emin olun.**
Toz toplama kullanımı, tozla ilişkili tehlikeleri azaltabilir.
 - Aletlerin sık kullanılmasıyla elde edilen aşınalığı rahat davranmanıza ve aletin güvenlik prensiplerini ihmal etmenize sebep olmasına izin vermeyin.**
Dikkatsiz bir hareket, bir anda ciddi yaralanmalara neden olabilir.
- 4) Elektrikli aletin kullanımı ve bakımı
- Elektrikli aleti zorlamayın. Uygulanması için doğru alet kullanın.**
Doğru alet, işinizi daha iyi ve tasarruflı şekilde yapacaktır.
 - Elektrikli alet güç düğmesinden açılıp kapanıyorsa, aleti kullanmayın.**
Güç düğmesiyle kontrol edilemeyen bir alet tehlikelidir ve tamir edilmeden kullanılmamalıdır.
 - Herhangi bir ayar yapmadan, aksesuarları değiştirmeden veya aleti saklamadan önce fişi güç kaynağından sökün ve/veya sökülebilirse pil takımını elektrikli aletten çıkartın.**
Bu koruyucu güvenlik önlemleri, elektrikli aletin kazayla çalışma riskini azaltır.
 - Atıl durumdaki elektrikli aletleri çocukların ulaşamayacağı bir yerde saklayın ve elektrikli alet ve bu kullanım talimatları hakkında bilgi sahibi olmayan kişilerin aleti kullanmasına izin vermeyin.**
Elektrikli aletler eğitimsiz kullanıcıların elinde tehlikelidir.
 - Aletlerin ve aksesuarların bakımını yapın.**
Hareketli parçalarda yanlış hizalama veya sıkışma olup olmadığını, kırık parça olup olmadığını ve elektrikli aletin çalışmasını etkileyebilecek diğer koşulları kontrol edin.
Eğer hasar varsa, kullanmadan önce aleti tamir ettirin.
Kazaların çoğu elektrikli aletlere kötü bakım işlemleri uygulanmasından kaynaklanmaktadır.

AKÜLÜ ÇİVİ ÇAKMA (AVUÇ İÇİ TİP) GÜVENLİK UYARILARI

- f) **Aletleri keskin ve temiz tutun.**
Uygun şekilde bakımı yapılan, keskin kenarlara sahip aletlerin sıkışma ihtimali daha azdır ve kontrol edilmesi daha kolaydır.
- g) **Elektrikli aleti, aksesuarları, uçları, v.b., bu talimatlara uygun şekilde, çalışma koşullarını ve yapılacak işi göz önünde bulundurarak kullanın.**
Elektrikli aletin amaçlanan kullanımlardan farklı işlemler için kullanılması tehlikeli bir duruma yol açabilir.
- h) **Tutamakları ve kavrama yüzeylerini kuru, temiz, yağsız ve gressiz tutun.**
Kaygan tutamaklar ve kavrama yüzeyleri, beklenmedik durumlarda aletin güvenli bir şekilde idare ve kontrol edilmesine izin vermez.
- 5) **Akülü aletin kullanımı ve bakımı**
- a) **Ünitesi sadece üretici tarafından belirtilen şarj cihazıyla şarj edin.**
Bir akü ünitesi tipi için uygun olan bir şarj cihazı başka tipte bir akü ünitesiyle kullanıldığında yangın riski yaratabilir.
- b) **Elektrikli aletleri sadece özel olarak tasarlanmış olan akü üniteleriyle kullanın.**
Başka herhangi bir akü ünitesinin kullanılması yaralanma veya yangın riski yaratabilir.
- c) **Akü ünitesini kullanmadığı zamanlarda atışlardan, madeni paralardan, anahtarlardan, çivilerden, vidalardan veya terminaler arasında bağlantı oluşturabilecek diğer küçük metal nesnelere uzak tutun.**
Akü kutuplarının kısa devre olması yanıklara veya yangına neden olabilir.
- d) **Yanış kullanım koşullarında aküden sıvı çıkışı olabilir; temas etmekten kaçının. Kazayla sıvıya temas edilmesi durumunda suyla yıkayın. Sıvının gözlere temas etmesi halinde, ayrıca bir doktora başvurun.**
Aküden fişkıran su tahriş veya yanıklara neden olabilir.
- e) **Hasarlı veya değiştirilmiş bir pil takımını veya aleti kullanmayın.**
Hasarlı veya değiştirilmiş piller, yangın, patlama veya yaralanma riski ile sonuçlanan, öngörülemeyen davranışlar gösterebilir.
- f) **Bir pil takımını veya aleti ateşe veya aşırı sıcaklığa maruz bırakmayın.**
130°C'nin üzerindeki sıcaklığa veya ateşe maruz kalma patlamaya neden olabilir.
- g) **Tüm şarj talimatlarına uyun ve pil takımını veya aleti talimatlarda belirtilen sıcaklık aralığının dışında şarj etmeyin.**
Uygunsuz bir şekilde veya belirtilen aralıkların dışındaki sıcaklıklarda şarj etme, bataryaya zarar verebilir ve yangın riskini artırabilir.
- 6) **Servis**
- a) **Elektrikli aletinizin servisini sadece orijinal yedek parçalar kullanmak suretiyle uzman bir tamirciye yaptırın.**
Böylece, elektrikli aletin güvenli kullanımı sağlanacaktır.
- b) **Hasar görmüş pil takımlarına hiçbir zaman bakım yapmayın.**
Pil takımlarının bakımı sadece üretici veya yetkili servis sağlayıcıları tarafından yapılmalıdır.

ÖNLEM

Çocukları ve akli dengesi yerinde olmayan kişileri uzak tutun.

Alet, kullanılmadığı zamanlarda çocukların ve akli dengesi yerinde olmayan kişilerin ulaşamayacağı bir yerde saklanmalıdır.

- Aletin her zaman çivi içerdiği varsayın.**
Çivi Çakmanın (Avuç içi tipi) dikkatsiz bir şekilde kullanılması, beklenmedik bir şekilde çivilerin ateşlenmesiyle ve kişisel yararlanmayla sonuçlanabilir.
- Aleti kendinize veya yakındaki bir kişiye yöneltmeyin.**
Beklenmedik bir tetikleme, çiviye boşaltarak yaralanmaya neden olacaktır.
- Alet iş parçasına doğru sıkıca yerleştirilmediği sürece aleti çalıştırmayın.**
Alet iş parçası ile temas etmezse, çivi hedefinizin dışına sapabilir.
- Çivi alete sıkıştığında aleti güç kaynağından ayırın.**
Sıkışan bir çivi çıkarırken, Çivi Çakma (Avuç içi tipi) prize takılıysa kazayla harekete geçirilebilir.
- Elektrik kablolarının sabitlenmesi için bu Çivi Çakmayı (Avuç içi tipi) kullanmayın.**
Elektrik kablolarının montajı için tasarlanmamıştır ve elektrik kablolarının izolasyonuna zarar vererek elektrik çarpmasına veya yangın tehlikesine neden olabilir.
- Koruyucu kulaklık kullanın**
Gürültüye maruz kalmak işitme kaybına neden olabilir.
- Eğer alete birlikte verilmişse, yardımcı kolu/kolları kullanın.**
Kontrolün kaybedilmesi yaralanmaya neden olabilir.
- Bağlantı elemanının gizli kablolarla temas edebileceği bir işlem yaparken, elektrikli aleti yalıtılmış kavrama yüzeylerinden tutun.**
Bağlantı elemanlarının bir "aktif" telle temas etmesi, elektrikli aletin çıplak metal parçalarını "aktif" hale getirebilir ve kullanıcıya bir elektrik şoku verebilir.

İLAVE GÜVENLİK UYARILARI

- Çalışma sırasında aleti emniyetli şekilde tuttuğunuzdan emin olun.**
Aksi takdirde kazalar veya yaralanmalar meydana gelebilir. (Şek. 12)
- Doğru kullanım ile güvenli çalışma.**
Bu alet, çivileri aşıp ve benzeri malzemelere çakmak için tasarlanmıştır. Sadece amacına uygun olarak kullanın.
- Ateşleme ve patlamalara dikkat edin.**
Çivi çakma esasında kıvılcımlar çıkabileceğinden, tutaşabilecekleri veya patlayabilecekleri için cila, boya, benzin, tiner, yakıt, gaz, yapışkanlar ve benzeri yanıcı maddelerin yakınında bu aleti kullanmak tehlikelidir. Bu nedenle bu alet hiçbir koşulda bu tür yanıcı maddelerin yakınında kullanılmamalıdır.
- Daima göz koruması (koruyucu gözlük) kullanın.**



Elektrikli aleti kullanırken daima göz koruması takın ve çevredeki kişilerin de göz koruması taktığından emin olun. Düzgün şekilde çakılmamış çivi parçalarının göze girme ihtimali görme yeteneği için bir tehdittir. Göz koruması herhangi bir hırdavatçıdan satın alınabilir. Bu aleti çalıştırırken daima göz koruması takın. Reçeteli gözlüklerin üzerinde göz koruması veya geniş bir görüş maskesi kullanın. İşverenler her zaman göz koruma ekipmanlarının kullanımını zorunlu kılmalıdır.

- Kulaklarınızı ve başınızı koruyun.**

Çivi çakma işiyle meşgulken lütfen kulak tıkaçları ve kafa koruyucusu giyin. Ayrıca, koşullara bağlı olarak çevredeki kişilerin de kulak tıkaçları ve kafa koruyucusu giymelerini sağlayın.

Türkçe

6. Size yakın çalışanlara dikkat edin.

Düzgün şekilde çakılmamış çivilerin başkalarına isabet etmesi çok tehlikeli olacaktır. Bu nedenle, bu aleti kullanırken çevrenizdeki insanların güvenliğine daima dikkat edin. Hiç kimsenin vücudunun, ellerinin veya ayaklarının hiç çıkış ağzına yakın olmadığında emin olun.

7. Çivi çıkış ağzını asla insanlara doğrultmayın.



Aletin her zaman bağlantı elemanı içerdiğini varsayın.

Çivi çıkış ağzı insanlara doğrultulursa, aleti yanlışlıkla boşaltırsanız ciddi kazalara neden olabilir. Bataryayı bağlarken veya ayırırken, çivi yüklemesi veya benzeri işlemler sırasında, çivi çıkış ağzının (kendiniz de dahil) kimseye doğrultulmadığında emin olun. Hiçbir çivi yüklenmemiş olsa dahi, aleti birinin üzerine doğrulturken boşaltmak tehlikelidir, bu nedenle bunu yapmayı asla denemeyin. Eşek şakası yapmayın. Alete bir çalışma aracı olarak saygı duyun.

8. Kullanmadan önce çubuğu kontrol edin.

Çubuğun düzgün bir şekilde çalıştığından emin olun. Çubuk düzgün çalışmıyorsa Çivi Çakmayı (Avuç içi tip) asla kullanmayın, aksi takdirde Çivi Çakma (Avuç içi tip) beklenmedik bir şekilde bir çivi çakabilir. Çubuğu kurcalamayın veya çıkarmayın, aksi takdirde çubuk çalılmaz hale gelir.

9. Yanlışca belirtilen çivileri kullanın.

Bu talimatlarda belirtilen ve açıklananlardan başka çivi kullanmayın.

10. Bataryayı takarken dikkatli olun.

Aleti hatayla ateşlememek için bataryayı bağlarken ve çivileri yüklerken aşağıdakilerden emin olun.

- Tetiğe dokunmayın.
 - Ateşleme kafasının herhangi bir yüzeye temas etmesine izin vermeyin.
 - Ateşleme kafasını aşağıda tutun.
- Yukarıdaki talimatlara sıkı sıkıya uyun ve vücudunuzun, elinizin veya bacağınızın herhangi bir bölümünün çivi çıkış ağzının önünde bulunmadığından daima emin olun.

11. Parmagınızı tetiğe dikkatsizce yerleştirmeyin.

Çivi çakma işi yapmadığınız zamanlarda parmağınızı tetiğe koymayın. Parmagınız tetiğin üzerindeyken bu aleti taşırsanız veya birisine teslim ederseniz, yanlışlıkla çiviye boşaltılabilir ve böylece bir kazaya neden olabilirsiniz.

12. Çivi çıkış ağzını çivilenecek malzemeye sıkıca bastırın.

Çivileri çakarken çivi çıkış ağzını çivilenecek malzemeye sıkıca bastırın. Çıkış ağzı uygun şekilde kullanılmazsa çiviler sekebilir.

13. Kullanırken el ve ayakları ateşleme kafasından uzak tutun.



Bir çivinin yanlışlıkla ellere veya ayaklara isabet etmesi çok tehlikelidir.

14. Aletin geri tepmesinden sakının.

Çalışma sırasında aletin üst kısmına kafanızla, vb. ile yaklaşmayın. Bu tehlikelidir çünkü çakılmakta olan çivi bir önceki çivi veya ağaçtaki bir budak ile temas ettiğinde alet şiddetle geri tepebilir.

15. İnce tahtaları veya ahşabın köşelerini çivilerken dikkatli olun.

İnce levhaları çivilerken, çivilerin sapmasından dolayı ahşap köşeleri çivilerken olabileceği gibi çiviler tam içinden geçebilir. Bu gibi durumlarda, çivileyeceğiniz ince tahtanın arkasında veya ahşabın yanında hiç kimsenin (ve kimsenin el veya ayaklarının, vb.) bulunmadığından daima emin olun.

16. Aynı duvarın her iki tarafına aynı anda çivi çakılması tehlikelidir.

Hiçbir suretle aynı anda bir duvarın her iki yanına çivi çakılmamalıdır. Çiviler duvardan geçip yaralanmalara neden olabileceğinden bu çok tehlikeli olabilir.

17. Elektrikli aleti yapı iskelelerinde, merdivenlerde kullanmayın.

Elektrikli alet aşağıda örnekleri verilen özel uygulamalar için kullanılmamalıdır:

- bir tahrik konumundan diğerine geçiş, iskele, merdiven veya çatı çitaları gibi merdiven benzeri konstrüksiyonların kullanımını gerektirdiğinde,
- kutuların veya sandıkların kapatılması,
- ulaşım güvenlik sistemlerinin önerilen araçlara ve vagonlara takılması

18. Aşağıdaki durumlarda kalan çivileri ve bataryayı Çivi Çakmadan (Avuç içi tip) çıkarın:

- 1) bakım ve kontrol yaparken;
- 2) çubuk ve tetiğin düzgün çalışıp çalışmadığını kontrol ederken;
- 3) bir sıkışmayı giderirken;
- 4) kullanımda değilken;
- 5) çalışma alanından ayrılırken;
- 6) başka bir yere taşırken ve
- 7) başka bir kişiye teslim ederken.

Bataryayı ve kalan tüm çivileri Çivi Çakmadan (Avuç içi tip) çıkarmadıkça bir sıkışmayı gidermeye veya Çivi Çakma (Avuç içi tip) tamir etmeye çalışmayın.

Çivi Çakma (Avuç içi tip), asla gözetimsiz bırakılmamalıdır çünkü Çivi Çakmaya (Avuç içi tip) aşına olmayan kişiler onu kullanabilir ve kendilerini yaralayabilir.

19. Elektrikli aleti temizlerken, benzin veya diğer yanıcı sıvıları kullanmayın.

Yanıcı bir sıvının buharı elektrikli aletin içine girerse, zımbalama vb. işlemler sırasında oluşan kıvılcıkların patlamaya neden olma tehlikesi vardır.

20. Bu cihaz için çalışma ortamı 0°C ila 40°C arasındadır bu yüzden bu sıcaklık aralığında kullanılmaya çalışmayın.

21. Çivi Çakmanın (Avuç içi tip) içerisinde bir mıknatıs bulunduğundan mıknatısların (veya benzeri manyetik aygıtların) Çivi Çakmanın (Avuç içi tip) yakınında olmasına ASLA izin vermemeyin.

Bunun yapılması arızaya veya arızadan dolayı yaralanma riskine neden olacaktır.

22. Ünitenin sürekli çalışmadan sonra dinlendirilmesi.

23. Elektrikli alet, motoru korumak için bir sıcaklık koruma devresiyle donatılmıştır. Sürekli çalışma, ünite sıcaklığının yükselmesine sebep olabilir. Bu da sıcaklık koruma devresini etkinleştirir ve çalışmayı otomatik olarak durdurur. Böyle bir durum meydana gelirse, kullanıma devam etmeden önce elektrikli aletin soğumasına izin verin.

24. Bu ürün, bir anormallik tespit edildiğinde çalışmayı durdurabilir.

25. Doğrudan ışığa bakmayın. Bu, gözünüze zarar verebilir.

LED lambanın merceği üzerindeki herhangi bir kir veya pisliliği merceği çizmemeye özen göstererek yumuşak bir bezle silin.

LED lambanın merceği üzerindeki çizikler daha düşük parlaklığa yol açabilir.

BATARYA VE ŞARJ CİHAZI İÇİN ÖNLEMLER

- Bataryayı daima 0 – 40°C arası ortam sıcaklığında şarj edin.**
0°C'den düşük bir sıcaklık aşırı şarja neden olarak tehlike yaratacaktır. Batarya, 40°C'den yüksek bir sıcaklıkta şarj edilemez.
En uygun şarj sıcaklığı 20 – 25°C'dir.
- Şarj cihazını sürekli olarak kullanmayın.**
Bir şarj işlemi tamamlandığında, bir sonraki şarj işlemi başlatmak için yaklaşık 15 dakika bekleyin.
- Şarj edilebilir batarya bağlantı deliğine yabancı madde girmesine izin vermeyin.**
- Kesinlikle şarj edilebilir bataryayı ve şarj cihazını sökmeyin.**
- Kesinlikle şarj edilebilir bataryayı kısa devre yapmayın.**
Bataryanın kısa devre olması büyük bir elektrik akımına ve aşırı ısınmaya neden olacaktır. Bu, bataryanın yanmasına veya hasar görmesine yol açar.
- Bataryayı ateşe atmayın.**
Batarya, yanması halinde patlayabilir.
- Tükemiş bir bataryanın şarj edilmesi şarj cihazına hasar verir.**
- Şarj sonrası batarya ömrü pratik kullanım için çok kısaldığında bataryayı derhal satın aldığınız mağazaya götürün.**
Ömrü tükenen bataryayı atmayın.
- Şarj cihazının havalandırma deliklerine nesnelere sokmayın.**
Şarj cihazının havalandırma deliklerine metal nesnelere veya yabancı maddeler sokulması, elektrik çarpması tehlikesine ve şarj cihazının hasar görmesine yol açacaktır.

- Bataryayı çivi benzeri keskin nesnelere delmeyin; çekiçle vurmayın; üzerine basmayın; atmayın ve şiddetli fiziksel darbeye maruz bırakmayın.
- Açıkça hasarlı veya deforme olduğu görülen bataryayı kullanmayın.
- Bataryayı kutuplarını ters bağlayarak kullanmayın.
- Doğrudan elektrik prizlerine veya çakmak soketlerine bağlamayın.
- Bataryayı belirtilenler dışında herhangi bir amaç için kullanmayın.
- Eğer belirtilen şarj etme süresi geçmesine rağmen batarya tamamen şarj olmuyorsa, derhal şarj işlemi durdurun.
- Bataryayı mikrodalga fırın, kurutucu veya yüksek basınçlı kaplar gibi ortamlardaki yüksek sıcaklık veya basınçlara maruz bırakmayın.
- Sızıntı görülmesi veya kötü koku algılanması durumunda derhal ateşten uzaklaştırın.
- Güçlü statik elektrik üretilen bir yerde kullanmayın.
- Eğer batarya sızıntısı, kötü koku, ısı üretilmesi, renk solması veya deformasyon varsa veya kullanım, şarj işlemi veya saklama sırasında herhangi bir şekilde anormallik görülürse, derhal cihazdan veya batarya şarj cihazından çıkarın ve kullanmayı kesin.
- Bataryayı suya daldırmayın veya içinde herhangi bir sıvının akmasına izin vermeyin. Su gibi iletken sıvıların girişi, yangın veya patlama ile sonuçlanan hasarlara neden olabilir. Bataryanızı yanıcı ve parlayıcı maddelerden uzak, serin, kuru bir yerde saklayın. Aşındırıcı gaz ortamlarından kaçınılmalıdır.

İKAZ

- Eğer bataryadan sızan sıvı gözlerinize kaçarsa, gözlerinizi ovuşturmayın; hemen temiz suyla iyice yıkayın ve derhal bir doktora başvurun.
Bataryadan sızan bu sıvı, tedavi uygulanmaması durumunda göz problemlerine neden olabilir.
- Eğer sıvı cildinizle veya elbiselerinizle temas ederse, derhal temiz suyla yıkayın.
Sıvı, cilt tahrişine neden olabilir.
- Eğer bataryayı ilk defa kullandığınızda pas, kötü koku, deformasyon ve/veya başka anormallikler saptarsanız, bataryayı kullanmayın ve derhal tedarikçisine veya satıcısına iade edin.

UYARI

- Lityum iyon bataryanın kutbuna bir iletken yabancı madde girerse, batarya kısa devre olarak yangına neden olabilir. Lityum iyon bataryayı saklarken, aşağıdaki kurallara kesinlikle uyun.
- Saklama muhafazasına iletken döküntüler, çiviler veya demir tel ve bakır tel gibi teller koymayın.
 - Kısa devre oluşmasını engellemek için, bataryayı alete takın veya saklamak için vantilatör görülmeinceye kadar batarya kapağını emniyetli bir şekilde yerleştirin (**Şek. 2**).

LİTYUM İYON BATARYANIN TAŞINMASI İLE İLGİLİ

Bir lityum iyon bataryayı taşırken, lütfen aşağıdaki önlemlere uyun.

UYARI

- Taşıma şirketine lityum iyon batarya içeren bir paket olduğunuzu ve bataryanın çıkış gücünü bildirin ve taşımayı ayarlamak taşıma şirketinin talimatlarına uyun.
- Çıkış gücü 100 Wh aşan lityum iyon bataryalar Tehlikeli Malların nakliye sınıfı kapsamında değerlendirilir ve özel uygulamaya prosedürleri gerektirir.
 - Yurt dışına taşıma için, uluslararası kanunlara ve varış ülkesinin kurallarına ve yönetmeliklerine uymanız gerekir.

LİTYUM-İYON PİLLE İLGİLİ UYARI

Çalışma ömrünü uzatmak için, lityum-iyon pilde çıkışı durdurun bir koruma işlevi mevcuttur. Aşağıda açıklanan 1 ila 3 durumlarında, bu ürünü kullanırken anahtarları çekiyor olsanız bile motor durabilir. Bu bir arıza değil koruma işlevinin bir sonucudur.

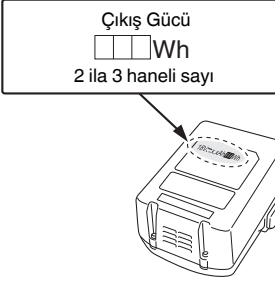
- Pil enerjisi tükendiğinde, motor durur.
Böyle bir durumda pili en kısa zamanda şarj edin.
- Eğer araca fazla yüklenilmişse motor durabilir. Böyle bir durumda aracın anahtarını serbest bırakın ve aşırı yüklemenin sebeplerini ortadan kaldırın. Bunun ardından aracı tekrar kullanabilirsiniz.
- Eğer akü aşırı ısı koşullarında fazla ısınmışsa, akü gücü kesilebilir.
Bu durumda, aküyü kullanmayı keserek soğumasını bekleyin. Soğuduktan sonra, kullanmaya devam edebilirsiniz.

Ayrıca, lütfen aşağıdaki uyarı ve ikazları dikkate alın.

UYARI

Herhangi bir batarya sızıntısına, ısı üretilmesine, duman yayılmasına, patlamaya ve erken ateşlemeye meydan vermemek için, lütfen aşağıdaki uyarıları dikkate alın:

- Batarya üzerinde talaş ve toz birikmediğinden emin olun.
 - Çalışma sırasında batarya üzerine talaş ve toz dökülmediğinden emin olun.
 - Çalışma sırasında elektrikli alet üzerine dökülen talaş ve tozun batarya üzerinde birikmediğinden emin olun.
- Kullanılmayan bir bataryayı talaşa ve toza maruz kalan bir yerde saklamayın.
- Bir bataryayı saklamadan önce, üzerine yapışabilecek talaş ve tozu temizleyin ve metal parçalarla (vida, çivi, v.b.) birlikte saklamayın.



PARÇA ADLARI (Şek. 1 – Şek. 12)

①	Ateşleme kafası (çıkış ağız)
②	Çubuk
③	LED lamba
④	Tetik
⑤	Kanca
⑥	Batarya
⑦	Mandal
⑧	Batarya kapağı
⑨	Terminaller
⑩	Havalandırma delikleri
⑪	Şarj cihazı
⑫	Çivi kafası
⑬	Çivi gövdesi
⑭	Çivi ucu
⑮	Mıknatıs
⑯	Mıknatıslanmış alan
⑰	Çivi
⑱	Sürücü ünitesi
⑲	Metal birleşme yeri
⑳	Delik
㉑	Vida
㉒	Kanal
㉓	Pense

SEMBOLLER

UYARI

Aşağıda, bu makine için kullanılan simgeler gösterilmiştir. Makineyi kullanmadan önce bu simgelerin ne anlama geldiğini bildiğinizden emin olun.

	NH18DSL: Akülü Çivi Çakma (Avcu içi tip)
	Kullanıcı yaralanma riskini azaltmak için kullanım kılavuzunu okumalıdır.
	Operatörler ve çalışma alanındaki diğer kişiler, yan korumalı güvenlik gözlükleri giymelidir.
	Aleti asla kendinize veya çalışma alanındaki diğer kişilere doğrultmayın.
	Pili çıkartın
	Yapı iskelelerinde, merdivenlerde kullanmayın.
	Sadece AB ülkeleri için Elektrikli el aletlerini evdeki çöp kutusuna atmayınız! Kullanılmış elektrikli aletleri, elektrik ve elektronikli eski cihazlar hakkındaki 2012/19/AB Avrupa yönergelerine göre ve bu yönergeler ulusal hukuk kurallarına göre uyarlanarak, ayrı olarak toplanmalı ve çevre şartlarına uygun bir şekilde tekrar değerlendirmeye gönderilmelidir.
	Doğru akım
	Ağırlık (EPTA-Prosedürü 01/2014'e göre)
	AÇMA
	KAPAMA
	Uyari
	Yasaklanmış eylem

TEKNİK ÖZELLİKLER

1. Akülü Çivi Çakma (Avuç içi tip)

Model	NH18DSL
Voltaj	18 V
Darbe sayısı	4000 dk ⁻¹
Kullanılabilir Çivi	ø1,7 – 4,1 mm (Bkz. Tablo 1)* ¹
Kullanılabilir Çivi Uzunluğu	25 mm ile 90 mm* ¹
Ağırlık* ²	1,3 – 1,9 kg
Boyut Yükseklik x Uzunluk	135 mm x 285 mm (BSL1815)

*1: Ağaca Karşı: SPF, Sedir

Çam, MDF veya lamine kereste gibi sert malzemelere tam olarak çivi çakılamayabilir.

*2: Ağırlık: 01/2014 sayılı EPTA Prosedürüne göre. Takılan pile bağlıdır. BSL36B18 (ayrıca satılır) ile ölçülen en yüksek ağırlık.

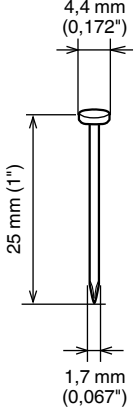
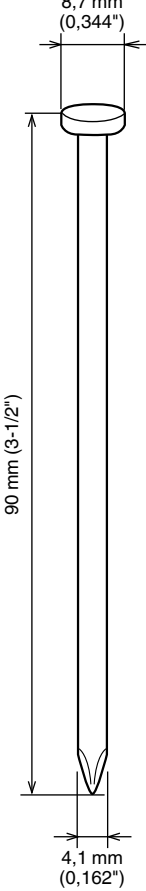
NOT

HIKOKI'nin sürekli araştırma ve geliştirme programı nedeniyle, burada belirtilen teknik özelliklerde önceden haber verilmeden değişiklik yapılabilir.

ÇİVİ SEÇİMİ

Bu Çivi Çakma (Avuç içi tip) için aşağıdaki boyutlarda çivi kullanın.

Tablo 1

Min.	Maks.
 <p>4,4 mm (0,172")</p> <p>25 mm (1")</p> <p>1,7 mm (0,067")</p>	 <p>8,7 mm (0,344")</p> <p>90 mm (3-1/2")</p> <p>4,1 mm (0,162")</p>

UYARI

- Başka ebatlardaki çivileri kullanmayın. Çubuğa zarar verebilir veya eğik bir yönde ateş edebilir.
- Çivi kafası boyutlarına dikkat edin. Piyasada toptan olarak satılan vidaların vida kafası ölçüsü büyük ve küçük olarak değişiklik gösterebilir.
- Sertleştirilmiş çivileri kullanmayın.

NOT

- Çam, MDF veya lamine kereste gibi sert malzemelere tam olarak çivi çakılamayabilir.

STANDART AKSESUARLAR

UYARI

- Aşağıda gösterilenler dışındaki aksesuarlar, arızaya ve yaralanmalara neden olabilir.

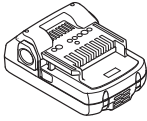
① Göz koruması.....1



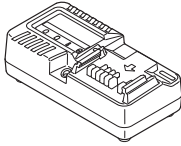
NOT: Aksesuarlar, HiKOKI tarafından herhangi bir yükümlülük olmaksızın değiştirilebilir.

OPSİYONEL AKSESUARLAR (AYRI OLARAK SATILIR)

- Batarya
 - BSL1815



- Şarj cihazı
 - UC18YKSL (Şarj gerilimi: 14,4 V – 18 V)



Opsiyonel aksesuarlar haber vermeden değiştirilebilir.

UYGULAMALAR

- Genel yapılarıdaki, bağlantılarıdaki, ahşap güvertelerdeki, çerçevelerdeki ve restorasyonlardaki ahşap malzemeler

ŞARJ ETME

Pil ve şarj cihazı bu ürünle birlikte verilmez. Şarj edilebilir bataryalar için lütfen kullandığınız şarj cihazının kullanım talimatlarına göre şarj edin. (Şek. 5)

MONTAJ VE ÇALIŞTIRMA

İşlem	Şekil	Sayfa
Bataryayı yerleştirme ve çıkarma	3	2
Düğmeyle kumanda	4	2
Şarj etme	5	3
Çubuk işlemlerini kontrol etme*1	6	3
Mıknatısla çiviği tutarak ateşleme*2	7	3
Parmaklarla çiviği tutarak ateşleme.*3	8	3
Metal birleşme yerine çiviği sabitleme*4	9	4
Kancayı kullanma*5	10	4
Bir sıkışmayı giderme	11	4
Aksesuarları seçme	—	199

*1 UYARI

- Çalıştırıldığında çubuğun düzgünce kaymasını sağlamak için kontrol edin. Düzgün bir şekilde kaymıyorsa, çubuk üzerindeki kayma bölgesini temizleyin.

*2 UYARI

- Çubuğa bir çivi yüklerken, çivinin ucu yerine çivinin gövdesini tutun.
- Çubuğa bir çivi yüklerken, sürücü ünitesinin ucuna basmadığından emin olun.
- Çubuğa bir çivi yüklerken parmaklarınızı veya ellerinizi çivinin ucunun altına koymayın.

*3 UYARI

- Parmaklarla tutarak bir çiviye ateşlerken, öncelikle çivinin ucunu bir hedefe yerleştirin ve çubuğu çivinin başına yerleştirin.

*4 UYARI

- Bir çiviye ateşlerken çivinin ucunun metal birleşme yerindeki delikte olduğundan emin olun.

*5 İKAZ

- Kancayı kullanırken, yanlışlıkla yere düşmemesi için elektrikli aleti sağlam bir şekilde asın.
- Elektrikli alet düşürülürse, bir kazaya yol açabilir.
- Kancayı kullanırken bataryanın çıkarıldığından emin olun.
- Kancayı emniyetli bir şekilde takın. Kancanın emniyetli bir şekilde takılmaması, kullanım sırasında yaralanmaya neden olabilir.

İKAZ

Çivi çakarken, kısa sürelerle çalışın ve sürekli çalışmalardan kaçının. Aksi takdirde bir arızaya veya gres sızıntısına neden olabilir.

BAKIM VE MUAYENE

İKAZ

Bakım ve kontrol öncesinde bataryayı Çivi Çakmadan (Avuç içi tip) çıkardığınızdan emin olun.

UYARI

- Bataryayı ayırın ve aşağıdaki durumlarda Çivi Çakmadan (Avuç içi tip) çıkarın:
 - 1) bakım ve kontrol yaparken ve
 - 2) bir sıkışmayı giderirken.
- Bataryayı bağlamadan, çubuğun ucunu ahşap gibi bir malzemeye bastırarak çubuğun sabit bir şekilde hareket edip etmediğini kontrol edin.

1. Bir sıkışmayı giderme (Şek. 11)

- ① Çivi Çakmadan (Avuç içi tip) bataryayı çıkarın.
- ② Sıkışan çiviği bir çift pense ile çıkarın.
- ③ Sık sık sıkışma durumunda yetkili bir HiKOKI servis merkezine irtibata geçin.

2. Çubuğun muayenesi (Şek. 6)

Çubuğun ve soketin kayan parçasını periyodik olarak temizleyin ve yağlayın.

Ahşap gibi bir malzemeye Çivi Çakmayı (Avuç içi tip) bastırarak çubuğun düzgün bir şekilde hareket edip etmediğini kontrol edin.

Demir tozları veya benzeri maddeler çubuktaki mıknatıslanmış bölgeye yapıştığında manyetik olarak bir çiviği tutma gücü düşebilir. Bu bölgeyi ara sıra bir bezle veya yapışkan bantla silin.

Ayrıca, çubuk dışındaki mıknatıs üzerindeki demir tozunu ara sıra bezle veya yapışkan bantla temizleyin. Bu sayede, çubuk düzgün bir şekilde çalışır.

3. Montaj vidalarının incelenmesi

Tüm montaj vidalarını düzenli olarak inceleyin ve sağlam şekilde sıkılı olduğundan emin olun. Gevşeyen vidaları derhal sıkın. Gevşemiş vidalar ciddi tehlikelere yol açabilir.

4. Motorun bakımı

Motorun sargısı aletin "kalbidir". Sargının hasar görmesi veya yağ ya da suyla ıslanmaması için gerekli özeni gösterin.

Türkçe

5. Dış yüzeyin temizlenmesi

Elektrikli alet kirlendiğinde, yumuşak kuru veya sabunlu suyla hafifçe ıslatılmış bir bezle silin. Plastik kısımları eritebileceğinden, klorlu çözücüler, benzin veya boya inceltici kullanmayın.

6. Saklama

Elektrikli aleti ve aküyü 40°C'den düşük sıcaklıkta ve çoklarının ulaşamayacağı bir yerde saklayın.

NOT

Lityum-iyon Bataryaları Saklama.

Lityum-iyon bataryaları saklamadan önce tamamen şarj olduklarından emin olun.

Bataryaların uzun süre düşük şarjla saklanması (3 ay veya daha fazla) performansta düşmeye neden olabilir, batarya kullanım süresini önemli ölçüde azaltabilir veya bataryaları şarj edilemez hale getirebilir.

Bununla birlikte, önemli ölçüde azalan batarya kullanım süresi, bataryaların iki ila beş kez üstüste şarj edilip kullanılmasıyla düzeltilebilir.

Eğer ard arda şarj edilip kullanılmasına rağmen batarya kullanım süresi çok kısaysa, bataryaların kullanım ömrü bitmiştir ve yeni bataryalar alınması gerekir.

İKAZ

Ağırlaş aletlerinin kullanımı ve bakımı konusunda her ülkede yürürlükte olan güvenlik düzenlemelerine ve standartlarına uygun davranılmalıdır.

HiKOKI akülü el aletleri için batarya kullanımı hakkında önemli not

Daima belirlenmiş orijinal bataryalardan birini kullanın. Tarafımızca belirlenenler dışındaki bataryalarla kullanılmaları durumunda, veya bataryanın sökülmesi ve modifiye edilmesi (örneğin, hücrelerin veya diğer iç parçaların sökülmesi veya değiştirilmesi) halinde akülü el aletlerimizin emniyetini ve performansını garanti edemiyoruz.

GARANTİ

HiKOKI Elektrikli El Aletlerine ülkelere özgü hukuki düzenlemeler çerçevesinde garanti vermekteyiz. Bu garanti, yanlış veya kötü kullanım, normal aşınma ve yıpranmadan kaynaklanan arıza ve hasarları kapsamamaktadır. Şikayet durumunda, Elektrikli El Aleti, sökülmemiş bir şekilde, bu kullanım kılavuzunun sonunda bulunan GARANTİ BELGESİYLE birlikte bir HiKOKI yetkili servis merkezine gönderilmelidir.

Havadan yayılan gürültü ve titreşimle ilgili bilgiler

Ölçülen değerler EN62841'e göre belirlenmiş ve ISO 4871'e göre beyan edilmiştir.

Ölçülmüş A-ağırlıklı ses gücü seviyesi: 107 dB (A)

Ölçülmüş A-ağırlıklı ses basıncı seviyesi: 96 dB (A)

Belirsizlik K: 3 dB (A)

Kulak koruyucu takın.

EN62841'e göre belirlenen toplam vibrasyon değerleri (üç eksenli vektör toplamı).

Vibrasyon emisyon değeri: 15,5 m/s²

Belirsizlik K = 1,5 m/sn²

Beyan edilen titreşim toplam değeri ve beyan edilen gürültü emisyon değeri standart bir test yöntemine göre ölçülmüştür ve bir aleti başka bir aletle kıyaslamak için kullanılabilir.

Aynı zamanda maruz kalmaya dair bir ön değerlendirmede de kullanılabilirler.

UYARI

- Elektrikli aletin gerçek kullanımı sırasındaki titreşim ve gürültü emisyonları, aletin kullanım şekline, özellikle hangi tür iş parçası işlendiğine bağlı olarak beyan edilen toplam değerden farklı olabilir ve
- Gerçek kullanım koşullarındaki maruz kalma değerlendirmesini esas alarak kullanıcıyı koruyacak güvenlik önlemlerini belirleyin (kullanım süresine ilave olarak aletin kapatıldığı ve rölantide çalıştığı zamanlarda çalışma çevriminde yer alan tüm parçaları dikkate alarak).

NOT

HiKOKI'nin süregelen araştırma ve geliştirme programına bağlı olarak burada belirtilen teknik özelliklerde önceden bildirimde bulunulmadan değişiklik yapılabilir.

AVERTISMENTE GENERALE PRIVIND SIGURANȚA SCULELOR ELECTRICE

⚠ AVERTISMENT

Citiți toate avertismentele de siguranță, instrucțiunile, ilustrațiile și specificațiile furnizate cu această sculă electrică.

Nerespectarea tuturor instrucțiunilor de mai jos poate avea ca efect producerea de șocuri electrice, incendii și/sau vătămări grave.

Păstrați toate avertismentele și toate instrucțiunile, pentru a le putea consulta pe viitor.

Termenul „sculă electrică” prezent în toate avertismentele de mai jos se referă la scula dumneavoastră electrică alimentată la priză (cu cablu de alimentare) sau la scula electrică alimentată cu acumulatori (fără cablu de alimentare).

1) Siguranța în zona de lucru

- Păstrați zona de lucru curată și bine iluminată.**
Zonele de lucru dezordonate și întunecate predisun la accidente.
- Nu utilizați sculele electrice în atmosferă explozivă, cum ar fi în prezența lichidelor, gazelor sau a prafurilor inflamabile.**
Sculele electrice produc scânteii care pot aprinde praful sau aburii.
- Țineți copiii sau privitorii la distanță în timp ce utilizați scula electrică.**
Distragerea atenției vă poate face să pierdeți controlul asupra sculei.

2) Siguranța electrică

- Ștecărele sculelor electrice trebuie să corespundă prizelor în care sunt introduse. Nu modificați niciodată ștecărul în niciun fel. Nu folosiți niciun fel de adaptoare pentru ștecăr la sculele electrice cu împământare (legate la pământ). Ștecărele nemodificate și prizele corespunzătoare reduc riscul de șoc electric.**
- Evitați contactul corpului cu suprafețele împământate, cum ar fi conductele, radiatoarele, cuptoarele și frigiderele.**
În cazul în care corpul dvs. este împământat există un risc crescut de electrocutare.
- Nu expuneți sculele electrice la ploaie și nu le lăsați în atmosferă umedă.**
Intrarea apei într-o sculă electrică mărește riscul de electrocutare.
- Nu forțați cablul de alimentare. Nu folosiți niciodată cablul de alimentare pentru a transporta, a trage sau a scoate scula electrică din priză. Țineți cablul de alimentare departe de căldură, ulei, mυχii ascuțiți și de piese în mișcare. Cablurile de alimentare deteriorate sau încolăcite măresc riscul de șoc electric.**
- Atunci când folosiți o sculă electrică în aer liber, utilizați un prelungitor adecvat pentru utilizarea în exterior.**
Folosirea unui prelungitor adecvat pentru exterior reduce riscul de șoc electric.
- Dacă utilizarea într-o zonă umedă nu poate fi evitată, folosiți o sursă de alimentare cu întrerupător de protecție la curent rezidual (RCD).**
Folosirea dispozitivelor RCD reduce riscul producerii șocurilor electrice.

3) Siguranța personală

- Atunci când folosiți o sculă electrică fiți vigilent, fiți atent la ceea ce faceți și acționați conform bunului simț.**

Nu folosiți scule electrice atunci când sunteți obosit sau vă aflați sub influența drogurilor, a alcoolului sau a medicamentelor.

Un moment de neatenție în timpul utilizării unei scule electrice poate provoca vătămări personale grave.

- Folosiți echipament de protecție personală. Purtați întotdeauna protecție pentru ochi.**

Echipamentele de protecție, cum ar fi măștile pentru praf, încălțăminte anti-alunecare, căștile sau protecțiile auditive, folosite în situațiile corespunzătoare vor reduce vătămările personale.

- Preveniți pornirea neintenționată. Înainte de a conecta scula la priză și / sau la setul de acumulatori și înainte de a ridica sau transporta scula, asigurați-vă că întrerupătorul este pe poziția oprit.**

Transportarea sculelor electrice cu degetul pe întrerupător sau introducerea în priză a sculelor electrice care au întrerupătorul pe poziția pornit sunt situații ce predispun la accidente.

- Înainte de a pune scula electrică în funcțiune, îndepărtați toate cheile de reglare și orice alte chei.**

O cheie sau o cheie de reglare rămase atașate de piesa rotativă a sculei electrice poate provoca vătămări personale.

- Evitați dezechilibrarea. Mențineți permanent un contact corect al piciorului și un bun echilibru.**

Acest lucru permite un mai bun control al sculei electrice în situații neașteptate.

- Purtați haine corespunzătoare. Nu purtați haine largi și nici bijuterii. Țineți-vă părul și hainele la distanță de piesele în mișcare.**

Hainele largi, bijuteriile și părul lung pot fi prinse în piesele în mișcare.

- Dacă sunt prevăzute dispozitive de conectare la sisteme de extragere și colectare a prafului, asigurați-vă că acestea sunt conectate și sunt folosite corespunzător.**

Utilizarea acestor dispozitive poate reduce pericolele legate de praf.

- Nu lăsați obișnuința dobândită din utilizarea frecventă a sculelor să vă facă să deveniți superficiali și să ignorați principiile de siguranță în folosirea sculei.**

O acțiune neglijentă poate provoca vătămări grave într-o fracțiune de secundă.

4) Utilizarea și îngrijirea sculei electrice

- Nu forțați scula electrică. Folosiți scula adecvată pentru aplicația dvs.**

Scula potrivită va face treabă mai bună și mai sigură, la parametrii la care a fost proiectată.

- Nu folosiți scula electrică în cazul în care întrerupătorul nu își îndeplinește funcția de pornire și oprire.**

Sculele electrice care nu pot fi comandate prin intermediul întrerupătorului sunt periculoase și trebuie reparate.

- Înainte de a face orice fel de reglaje, de a schimba accesoriile și de a depozita sculele electrice, scoateți ștecărul din priză și/sau scoateți setul de acumulatori din sculă, dacă este detașabil.**

Aceste măsuri preventive de siguranță reduc riscul pornirii accidentale a sculei electrice.

- Depozitați sculele electrice neutilizate departe de zona de acțiune a copiilor și nu lăsați persoanele care nu sunt familiarizate cu scula electrică sau cu prezențele instrucțiuni să folosească scula electrică.**

Sculele electrice sunt periculoase în mâinile utilizatorilor neinstruiți.

Română

- e) **Întrețineți sculele electrice și accesoriile.** Verificați alinierea și prinderea pieselor mobile, ruperea pieselor precum și orice alte aspecte care ar putea să influențeze funcționarea sculelor electrice. Dacă scula electrică este deteriorată, înainte de a o utiliza, duceți-o la reparat.

Multe accidente sunt provocate de scule electrice întreținute necorespunzător.

- f) **Păstrați elementele de tăiere curate și ascuțite.** Elementele de tăiere bine întreținute și cu muchii de tăiere bine ascuțite sunt mai ușor de controlat și este mai puțin probabil să se agate.

- g) **Folosiți scula electrică, accesoriile și vârfurile etc. în conformitate cu prezentele instrucțiuni, luând în considerare condițiile de lucru și operațiunile ce urmează a fi efectuate.**

Folosirea sculei electrice pentru alte operațiuni decât cele prevăzute poate avea ca efect apariția unor situații periculoase.

- h) **Mențineți mânerul și suprafețele de prindere uscate, curate și ferite de ulei și unsoare.**

Mânerul și suprafețele de prindere alunecoase nu permit manipularea și controlul sculei în condiții de siguranță în situații neașteptate.

5) Utilizarea și întreținerea sculelor cu acumulatori

- a) **Încărcați numai cu încărcătorul indicat de producător.**

Un încărcător adecvat unui anumit tip de pachet de acumulatori poate prezenta pericol de incendiu dacă este folosit pentru încărcarea altui tip de pachet de acumulatori.

- b) **Folosiți sculele electrice exclusiv cu tipurile de pachete de acumulatori indicate.**

Folosirea unui alt tip de pachet de acumulatori poate provoca vătămări sau incendii.

- c) **Atunci când setul de acumulatori nu este folosit, țineți-l departe de obiecte metalice cum ar fi agrafe de birou, monede, chei, cuie, șuruburi sau alte obiecte metalice mici care ar putea realiza conectarea terminalelor setului de acumulatori.** Scurtcircuitarea terminalelor acumulatorilor poate provoca arsuri sau incendii.

- d) **În cazul exploatării abuzive, din acumulatori poate ieși lichid; evitați contactul cu acest lichid. În cazul unui contact accidental, spălați cu apă. În cazul contactului cu ochii, consultați un medic.**

Lichidul care iese din acumulatori poate provoca iritații sau arsuri.

- e) **Nu utilizați un set de acumulatori sau o sculă care este deteriorat(ă) sau modificat(ă).**

Este posibil ca acumulatorii deteriorați sau modificați să prezinte un comportament imprevizibil care poate duce la incendiu, explozie sau risc de vătămare.

- f) **Nu expuneți un set de acumulatori sau o sculă la foc sau la temperaturi excesive.**

Expunerea la foc sau la temperaturi de peste 130°C poate provoca explozie.

- g) **Respectați toate instrucțiunile de încărcare și nu încărcați setul de acumulatori sau scula în afara intervalului de temperatură specificat în instrucțiuni.**

Încărcarea necorespunzătoare sau la temperaturi în afara intervalului specificat poate deteriora acumulatorul și poate crește riscul de incendiu.

6) Service

- a) **Scula electrică trebuie reparată de o persoană calificată, folosind numai piese de schimb identice.**

Astfel se asigură menținerea siguranței sculei electrice.

- b) **Nu reparați niciodată seturile de acumulatori deteriorați.**

Repararea seturilor de acumulatori ar trebui efectuată numai de producător sau de furnizori de servicii autorizați.

PRECAUȚIE

Țineți copiii și persoanele infirme la distanță.

Atunci când nu este folosită, scula electrică trebuie depozitată departe de zona de acțiune a copiilor și a persoanelor infirme.

AVERTISMENTE DE SIGURANȚĂ PRIVIND PERCUȚIA PNEUMATICĂ AUTOMATĂ CU ACUMULATOR

- 1. Considerați întotdeauna că scula conține cuie.** Manipularea neglijentă a percuției pneumatice automate poate avea ca rezultat împușcarea neașteptată a cuielor și vătămarea corporală.
- 2. Nu îndreptați scula spre dumneavoastră sau spre cineva din apropiere.** Declanșarea neașteptată va descărca cuiul provocând vătămare.
- 3. Nu acționați scula, cu excepția cazului în care scula este poziționată ferm pe piesa de lucru.** Dacă scula nu este în contact cu piesa de lucru, cuiul ar putea devia departe de ținta dumneavoastră.
- 4. Deconectați scula de la sursa de alimentare atunci când cuiul se blochează în sculă.** În timp ce îndeplătiți un cui blocat, percuția pneumatică automată poate fi activată în mod accidental dacă este conectată.
- 5. Nu utilizați această percuție pneumatică automată pentru fixarea cablurilor electrice.** Acesta nu este conceput pentru instalarea cablului electric și poate deteriora izolația cablurilor electrice, provocând astfel scurtcircuit sau incendiu.
- 6. Purtați protecții pentru urechi** Expunerea la zgomot poate duce la pierderea auzului.
- 7. Folosiți mânerul / mânerul auxiliar(e), dacă au fost furnizate împreună cu scula.** Pierderea controlului poate provoca vătămări personale.
- 8. Apucați scula electrică de suprafețele izolate de prindere, atunci când executați o operațiune în care dispozitivul de fixare poate intra în contact cu cabluri ascunse.** Dispozitivele de fixare care intră în contact cu un cablu sub tensiune pot pune sub tensiune părțile metalice descoperite și pot electrocuta operatorul.

AVERTISMENTE SUPLIMENTARE DE SIGURANȚĂ

- 1. Asigurați-vă că țineți scula ferm în timpul folosirii ei.** Nerespectarea avertismentelor poate duce la accidente sau vătămări. (Fig. 12)
- 2. Operare sigură prin utilizare corectă.** Această sculă a fost concepută pentru a bate cuie în lemn sau în materiale asemănătoare. Utilizați-o numai conform destinației sale.
- 3. Aveți grijă la riscul de aprindere și explozii.** Deoarece pot zbura scânteii în timp ce bateți cuie, este periculos să utilizați această sculă în apropiere de lac, vopsea, benzină, diluant, gazolină, gaz, adevizi și de alte substanțe inflamabile similare, deoarece acestea se pot aprinde sau exploda. Prin urmare, în niciun caz nu trebuie utilizată această sculă în apropierea vreunui astfel de material inflamabil.

4. Purtați întotdeauna protecție pentru ochi (ochelari de protecție).



Atunci când operați scula electrică, purtați întotdeauna protecție pentru ochi și asigurați-vă că persoanele din jur poartă, de asemenea, protecție pentru ochi.

Posibilitatea ca fragmente din cuiele care nu au fost bătute în mod corespunzător să intre în ochi este o amenințare pentru vedere. Protecția pentru ochi poate fi achiziționată de la orice magazin de scule. Purtați întotdeauna protecție pentru ochi în timp ce utilizați această sculă. Utilizați fie protecție pentru ochi, fie o mască cu vizibilitate largă peste ochelarii prescriși.

Angajatorii trebuie să impună întotdeauna utilizarea echipamentului de protecție a ochilor.

5. Protejați-vă urechile și capul.

Când sunteți angajat în operația de a bate cuie, purtați dopuri de protecție pentru urechi și protecție pentru cap. De asemenea, în funcție de situație, asigurați-vă că persoanele din jur utilizează, de asemenea, dopuri de protecție pentru urechi și protecție pentru cap.

6. Acordați atenție celor care lucrează aproape de dumneavoastră.

Ar fi foarte periculos dacă cuiele care nu au fost bătute în mod corespunzător ar lovi alte persoane. Prin urmare, accordați întotdeauna atenție siguranței persoanelor din jurul dumneavoastră atunci când utilizați această sculă. Asigurați-vă întotdeauna că corpul, mâinile sau picioarele nimănui nu sunt în apropiere de orificiul de ieșire a cuielor.

7. Nu îndreptați niciodată orificiul de ieșire a cuielor înspre oameni.



Considerați întotdeauna că scula

conține dispozitive de fixare.

Dacă orificiul de ieșire a cuielor este îndreptat spre oameni, pot fi cauzate accidente grave dacă descărcați din greșeală scula. Când conectați și deconectați acumulatorul, în timpul încărcării cuielor sau al unor operații similare, asigurați-vă că orificiul de ieșire a cuielor nu este îndreptat spre nimeni (inclusiv spre dumneavoastră). Chiar și atunci când nu sunt încărcate cuie deloc, este periculos să descărcați scula în timp ce este îndreptată spre cineva, așadar nu încercați niciodată acest lucru. Fără joc zgomotos. Respectați scula ca un instrument de lucru.

8. Verificați rotorul înainte de utilizare.

Asigurați-vă că rotorul funcționează corespunzător. Nu utilizați niciodată percuția pneumatică automată decât dacă rotorul funcționează în mod corespunzător, în caz contrar, percuția pneumatică automată ar putea împușca un cui în mod neașteptat. Nu umbrați la rotor și nu încercați să îndepărtați rotorul, în caz contrar, rotorul devine inoperabil.

9. Utilizați numai cuiele specificate.

Nu utilizați niciodată alt fel de cuie decât cele specificate și descrise în aceste instrucțiuni.

10. Aveți grijă atunci când conectați acumulatorul.

Când conectați acumulatorul și încărcați cuiele, pentru a nu declanșa scula din greșeală, asigurați-vă de următoarele lucruri.

- Nu atingeți trăgaciul.
 - Nu permiteți capului de declanșare să intre în contact cu vreo suprafață.
 - Țineți capul de declanșare în jos.
- Respectați cu strictețe instrucțiunile de mai sus și asigurați-vă întotdeauna că nicio parte a corpului, mâinile sau picioarele nu sunt vreodată în fața orificiului de ieșire a cuielor.

11. Nu puneți degetul pe trăgaci, din neglijență.

Nu puneți degetul pe trăgaci decât atunci când efectiv bateți cuie. Dacă transportați această sculă sau îl înmânați cuiva în timp ce degetul dumneavoastră este pe trăgaci, puteți descărca din greșeală un cui și puteți cauza astfel un accident.

12. Apăsați ferm orificiul de ieșire a cuielor pe materialul care urmează a fi bătut în cuie.

Când bateți cuie, apăsați ferm orificiul de ieșire a cuielor pe materialul care urmează a fi bătut în cuie. În cazul în care orificiul nu este aplicat corect, cuiele pot ricoșa.

13. Țineți mâinile și picioarele departe de capul de declanșare în timpul utilizării.



Este foarte periculos ca un cui să lovească mâinile sau picioarele din greșeală.

14. Feriți-vă de reculul sculei.

Nu vă apropiați cu capul etc. de partea superioară a sculei în timpul operării. Acest lucru este periculos deoarece scula poate recula violent în cazul în care cuiul care este bătut în acel moment vine în contact cu un cui bătut anterior sau cu un nod în lemn.

15. Aveți grijă atunci când bateți cuie în plăci subțiri sau în colțuri ale lemnului.

Atunci când bateți cuie în plăci subțiri, cuiele pot trece prin acestea, așa cum se poate întâmpla și în cazul în care bateți cuie în colțurile lemnului datorită devierii cuielor. În astfel de cazuri, asigurați-vă întotdeauna că nu există nicio persoană (și nici mâinile sau picioarele cuiva etc.) în spatele plăcii subțiri sau lângă lemnul pe care îl(o) veți bate în cuie.

16. Operația de a bate cuie în mod simultan pe ambele părți ale aceluiași perete este periculoasă.

În nici un caz nu trebuie să efectuați operația de a bate cuie pe ambele părți ale unui perete în același timp. Acest lucru ar fi foarte periculos, deoarece cuiele ar putea trece prin perete și, astfel, ar cauza vătămări.

17. Nu utilizați scula electrică pe schele, scări.

Scula electrică nu trebuie utilizată pentru aplicații specifice, de exemplu:

- atunci când mutarea de la o locație de bătut cuie la alta implică utilizarea schelelor, a treptelor, a scârilor sau a altor construcții similare scârilor, de exemplu șpicile unui acoperiș,
- la închiderea cutiilor sau a lăzilor,
- la fixarea sistemelor de siguranță pentru transport, de exemplu la vehicule și vagoane

18. Îndepărtați toate cuiele rămase și acumulatorul din percuția pneumatică automată atunci când:

- 1) efectuați lucrări de întreținere și de inspecție;
- 2) verificați funcționarea corespunzătoare a rotorului și a trăgaciului;
- 3) eliminați un blocaj;
- 4) acesta nu este în uz;
- 5) părăsiți zona de lucru;
- 6) îl mutați într-o altă locație; și
- 7) îl înmânați unei alte persoane.

Nu încercați niciodată să eliminați un blocaj sau să reparați percuția pneumatică automată, decât în cazul în care ați scos acumulatorul și toate cuiele rămase din percuția pneumatică automată.

Percuția pneumatică automată nu trebuie lăsată niciodată nesupravegheată deoarece persoanele care nu sunt familiarizate cu percuția pneumatică automată o pot manipula și se pot răni.

19. Când curățați scula electrică, nu utilizați benzină sau alte lichide inflamabile.

Dacă vaporii de la un lichid inflamabil intră în scula electrică, există pericolul ca scânteile produse atunci când se capsează etc. să poată cauza o explozie.

20. Mediul de operare pentru acest dispozitiv este între 0°C și 40°C, așadar asigurați utilizarea în acest interval de temperatură. Este posibil ca dispozitivul să nu funcționeze sub 0°C sau peste 40°C.
21. Nu permiteți NICIODATĂ ca magneți (sau dispozitive magnetice similare) să fie apropiați de percuția pneumatică automată, deoarece percuția pneumatică automată are un magnet în interior. Acest lucru va provoca o defecțiune sau un risc de vătămare din cauza funcționării defectuoase.
22. Oprirea unității după muncă neîntreruptă.
23. Scula electrică este prevăzută cu un circuit de protecție la temperatură pentru protecția motorului. Munca neîntreruptă poate determina creșterea temperaturii unității, activând circuitul de protecție la temperatură și oprind automat funcționarea. Dacă se întâmplă acest lucru, lăsați scula electrică să se răcească înainte de a o folosi din nou.
24. Este posibil ca acest produs să înceteze funcționarea atunci când este detectată o anomalie.
25. Nu priviți sursa de lumină direct. Aceste acțiuni pot rezulta în vătămări ale ochilor. Ștergeți orice urmă de murdărie sau funingine depusă pe obiectivul becului LED cu o cârpă moale, având grijă să nu zgâriați obiectivul. Zgârieturile de pe obiectivul becului LED pot duce la scăderea luminozității.

PRECAUȚII REFERITOARE LA ACUMULATORUL LITIU-ION

Pentru prelungirea duratei de viață, acumulatorul litiu-ion este echipat cu o protecție pentru oprirea furnizării de energie.

În situațiile 1 la 3 descrise mai jos, atunci când folosiți aparatul, chiar dacă acționați declanșatorul motorul se poate opri. Aceasta nu este o defecțiune, ci un rezultat al funcției de protecție.

1. Atunci când acumulatorul este descărcat motorul se oprește. În această situație încărcați imediat acumulatorul.
2. În situația suprasolicitării aparatului motorul se poate opri. În această situație, eliberați comutatorul și îndepărtați cauza suprasolicitării. După aceasta, puteți folosi din nou aparatul.
3. În situația supraîncălzirii acumulatorului în timpul lucrului, alimentarea aparatului de la acumulator se poate întrerupe. În această situație, încetați să mai utilizați acumulatorul și lăsați-l să se răcească. După aceasta, îl puteți utiliza din nou.

Mai mult, vă rugăm să acordați atenție următoarelor avertismente și indicații privind precauții.

AVERTISMENT

Pentru a împiedica apariția la acumulator a scurgerilor, generării de căldură, emisiilor de fum, exploziei și aprinderii, vă rugăm să respectați următoarele măsuri de precauție.

PRECAUȚII PENTRU ACUMULATOR ȘI ÎNCĂRCĂTOR

1. **Încărcați acumulatorul întotdeauna la temperatura mediului înconjurător, de 0–40°C.**
O temperatură sub 0°C va duce la supraîncălzire, acest lucru fiind periculos. Acumulatorul nu poate fi încărcat la o temperatură de peste 40°C. Temperatura cea mai potrivită pentru încărcare este de 20–25°C.
2. **Nu utilizați încărcătorul în continuu.**
Când s-a încheiat o încărcare, lăsați încărcătorul să stea timp de circa 15 minute, înainte de următoarea încărcare a unui acumulator.
3. **Nu permiteți pătrunderea materiilor străine în orificiul pentru conectarea acumulatorului.**
4. **Nu demontați niciodată acumulatorul sau încărcătorul.**
5. **Nu scurtcircuitați niciodată acumulatorul.**
Scurtcircuitarea acumulatorului va produce un curent electric puternic și acesta se va supraîncălzi. Acumulatorul va arde sau se va strica.
6. **Nu aruncați acumulatorul în foc.**
Dacă acumulatorul este ars, acesta poate exploda.
7. **Utilizarea unui acumulator epuizat va deteriora încărcătorul.**
8. **Aduceți acumulatorul la magazinul de la care a fost cumpărat de îndată ce durata de viață a acestuia, după încărcare, devine prea scurtă pentru uz practic.**
Nu aruncați acumulatorul consumat.
9. **Nu introduceți obiecte în fantele de ventilație ale încărcătorului.**
Introducerea obiectelor de metal sau inflamabile în fantele de ventilație ale încărcătorului va duce la pericol de șoc electric sau deteriorarea încărcătorului.

1. Asigurați-vă că pe acumulator nu se strânge șpan/pilitură și nici praf.
- În timpul lucrului, asigurați-vă că pe acumulator nu cade șpan/pilitură și nici praf.
- Asigurați-vă că șpanul/pilitura și praful care cad pe scula electrică în timpul lucrului nu se strâng pe acumulator.
- Nu depozitați un acumulator nefolosit într-un loc expus la șpan/pilitură și la praf.
- Înainte de a depozita un acumulator, îndepărtați de pe acesta toate urmele de șpan/pilitură și de praf și nu depozitați acumulatorul împreună cu piese metalice (șuruburi, cuie etc.).
2. Nu găuriți acumulatorul cu obiecte ascuțite cum ar fi cuiele, nu îl loviți cu ciocanul, nu călcați pe el, nu îl aruncați și nu îl supuneți unor șocuri fizice puternice.
3. Nu utilizați un acumulator care pare deteriorat sau care este deformat.
4. Nu folosiți acumulatorul cu polaritatea inversată.
5. Nu îl conectați direct la sursele de energie electrică sau la brichetele electrice ale mașinilor.
6. Nu folosiți acumulatorul în alte scopuri decât cele indicate.
7. În cazul în care acumulatorul nu se încarcă după trecerea timpului de încărcare specificat, încetați imediat să îl mai încărcați.
8. Nu expuneți acumulatorul la temperaturi sau presiuni ridicate, de exemplu nu îl introduceți într-un cuptor cu microunde, într-un uscător sau într-un container presurizat.
9. Țineți-l departe de flacără imediat ce observați scurgeri sau mirosuri neplăcute.
10. Nu îl folosiți în locuri în care se generează o puternică electricitate statică.
11. În cazul în care observați la acumulator scurgeri, mirosuri neplăcute, generare de căldură, decolorări sau deformări, scoateți-l imediat din echipament sau din încărcător și încetați să îl mai utilizați.
12. Nu scufundați acumulatorul sau nu permiteți fluidelor să curgă în interior. Pătrunderea lichidului conductor, precum apa, poate provoca daune care pot duce la incendiu sau explozie. Depozitați acumulatorul dvs. într-un loc răcoros și uscat, departe de elemente combustibile și inflamabile. Trebuie evitate atmosferele gazoase corozive.

PRECAUȚIE

1. În cazul în care lichidul ce se scurge din acumulator intră în contact cu ochii, nu vă frecați la ochi și spălați-i bine cu apă proaspătă curată cum ar fi apa de la robinet și consultați imediat un medic.
În cazul în care nu faceți tratament, lichidul poate provoca probleme oculare.
2. În cazul în care lichidul se scurge pe piele sau pe haine, imediat spălați bine cu apă proaspătă curată, cum ar fi apa de la robinet.
Există posibilitatea ca acest lucru să provoace iritarea pielii.
3. În cazul în care la prima utilizare a acumulatorului detectați mirosuri neplăcute, supraîncălzire, dacă observați rugină, decolorare, deformare și/sau alte nereguli, nu folosiți acumulatorul și înapoiți-l furnizorului sau vânzătorului.

AVERTISMENT

Dacă o materie străină, cu proprietăți conductive, intră în terminalul acumulatorului cu litiu ion, acumulatorul se poate scurtcircuita, ducând la incendiu. Respectați cu strictețe următoarele reguli când depozitați acumulatorul cu litiu ion.

- Nu introduceți reziduuri cu proprietăți conductive, cuie sau sârme cum ar fi sârmele de oțel și cupru în cutia pentru depozitare.
- Pentru a preveni scurtcircuitarea, încărcați acumulatorul în sculă sau aplicați ferm capacul acumulatorului, pentru depozitare, până când nu se mai vede ventilatorul (Fig. 2).

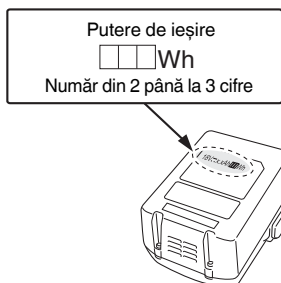
DESPRE TRANSPORTAREA ACUMULATORULUI LITIU-ION

Când transportați un acumulator litiu-ion, vă rugăm să respectați următoarele instrucțiuni.

AVERTISMENT

Notificați compania transportatoare că un pachet conține un acumulator litiu-ion, informați compania cu privire la puterea sa de ieșire și respectați instrucțiunile companie transportatoare atunci când aranjați un transport.

- Acumulatorii litiu-ion care depășesc puterea de ieșire de 100 Wh sunt considerați ca făcând parte din categoria de clasificare a materialelor periculoase și vor necesita proceduri de aplicare speciale.
- Pentru transportul în străinătate, trebuie să respectați legea internațională, precum și regulile și reglementările țării de destinație.

**NUMELE PĂRȚILOR (Fig. 1 – Fig. 12)**








①	Cap de declanșare (orificiu de ieșire)
②	Rotor
③	Lumină LED
④	Trăgaci
⑤	Cârlig
⑥	Acumulator
⑦	Clapetă de închidere
⑧	Capac acumulator
⑨	Borne
⑩	Orificii de ventilație
⑪	Încărcător
⑫	Cap cui
⑬	Tijă cui
⑭	Vârf cui
⑮	Magnet
⑯	Zonă magnetizată
⑰	Cui
⑱	Unitatea de declanșare
⑲	Îmbinare metalică
⑳	Orificiu
㉑	Șurub
㉒	Șanț
㉓	Clește

SIMBOLURI**AVERTISMENT**

În cele ce urmează sunt prezentate simbolurile folosite pentru mașină. Înainte de utilizare, asigurați-vă că înțelegeți semnificația acestora.

	NH18DSL: Percuție pneumatică automată cu acumulator
	Pentru a reduce riscul de accidente, utilizatorul trebuie să citească manualul de utilizare.
	Operatorii și alte persoane din zona de lucru trebuie să poarte ochelari de protecție cu scuturi laterale.
	Nu îndreptați niciodată scula spre dumneavoastră sau spre alte persoane din zona de lucru.
	Deconectați acumulatorul
	Nu utilizați pe schele, scări.

Română

	Numai pentru țările membre UE Nu aruncați această sculă electrică împreună cu deșeurile menajere! În conformitate cu Directiva Europeană 2012/19/UE referitoare la deșeurile reprezentând echipamente electrice și electronice și la implementarea acesteia în conformitate cu legislațiile naționale, sculele electrice care au ajuns la finalul duratei de folosire trebuie colectate separat și duse la o unitate de reciclare compatibilă cu mediul înconjurător.
	Curent continuu
	Greutate (Conform Procedura EPTA 01/2014)
	Pornire
	Oprire
	Avertisment
	Acțiune interzisă

SPECIFICAȚII

1. Percuție pneumatică automată cu acumulator

Model	NH18DSL
Tensiune	18 V
Număr de lovituri	4000 min ⁻¹
Tip de cui suportat	ø1,7 – 4,1 mm (Vezi Tabelul 1)*1
Lungimea suportată a cuiului	25 mm la 90 mm*1
Greutate*2	1,3 – 1,9 kg
Dimensiune Înălțime × Lungime	135 mm × 285 mm (BSL1815)

*1: Lemn opozant: SPF, cedru

Nu poate introduce complet un cui în materiale dure, cum ar fi cherestea de molid, MDF sau cherestea laminată.

*2: Greutate: Conform cu procedura EPTA 01/2014. În funcție de acumulatorul atașat. Greutatea cea mai mare este măsurată cu BSL36B18 (se vinde separat).

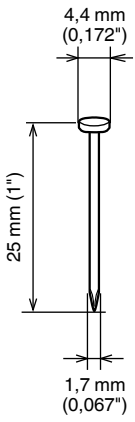

NOTĂ

Ca urmare a programului continuu de cercetare și dezvoltare derulat de HiKOKI, prezentele specificații pot fi modificate fără notificare prealabilă.

SELECTARE CUI

Utilizați cuie cu următoarele dimensiuni pentru această percuție pneumatică automată.

Tabelul 1

Min.	Max.
 <p>4,4 mm (0,172")</p> <p>25 mm (1")</p> <p>1,7 mm (0,067")</p>	 <p>8,7 mm (0,344")</p> <p>90 mm (3-1/2")</p> <p>4,1 mm (0,162")</p>

AVERTISMENT

- Nu utilizați cuie de oricare altă dimensiune. Acestea pot deteriora rotorul sau pot fi împușcate în direcție înclinată.
- Aveți grijă la dimensiunile capului cuiului. Dimensiunea capului cuiului poate varia între mare și mică la cuiele la vrac disponibile în comerț.
- Nu utilizați cuie călite.

NOTĂ

- Nu poate introduce complet un cui în materiale dure, cum ar fi cherestea de molid, MDF sau cherestea laminată.

ACCESORII STANDARD

AVERTISMENT

- Alte accesorii decât cele indicate mai jos pot duce la funcționare defectuoasă și vătămările care rezultă din aceasta.

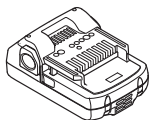
- ① Protecție pentru ochi.....1



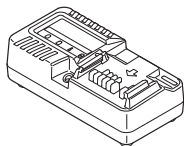
NOTĂ: Accesoriile pot fi modificate fără nicio obligație din partea HIKOKI.

ACCESORII OPȚIONALE (VÂNDUTE SEPARAT)

1. Acumulator
○ BSL1815



2. Încărcător
○ UC18YKSL (Tensiune de încărcare: 14,4 V – 18 V)



Accesoriile opționale sunt supuse modificărilor fără notificare prealabilă.

APLICAȚII

- Materiale din lemn în construcții generale, amenajări, punți din lemn, cadre și renovări

ÎNCĂRCARE

Acumulatorul și încărcătorul acestuia nu sunt furnizate împreună cu acest produs.

Pentru acumulatori reîncărcabili, încărcăți în conformitate cu instrucțiunile de utilizare ale încărcătorului pe care îl utilizați. (Fig. 5)

ASAMBLARE ȘI OPERARE

Acțiune	Figură	Pagină
Introducerea și scoaterea acumulatorului	3	2
Utilizarea întrerupătorului	4	2
Încărcare	5	3
Verificarea operațiilor rotorului*1	6	3
Împușcare prin ținerea unui cui cu magnetul*2	7	3
Împușcare prin ținerea unui cui cu degetele.*3	8	3
Fixarea unui cui la o îmbinare metalică*4	9	4
Utilizarea cârligului*5	10	4

Eliminarea unui blocaj	11	4
Selectarea accesoriilor	—	199

*1 AVERTISMENT

- Verificați pentru a vă asigura că rotorul alunecă ușor atunci când este acționat. Curățați zona de alunecare de pe rotor dacă acesta nu alunecă ușor.

*2 AVERTISMENT

- Când încărcați un cui în rotor, țineți tija cuiului în loc de vârful acestuia.
- Când încărcați un cui în rotor, asigurați-vă că nu apăsați vârful unității de declanșare.
- Când încărcați un cui în rotor, nu puneți degetele sau mâinile dumneavoastră sub vârful unui cui.

*3 AVERTISMENT

- Când împușcați un cui ținându-l cu degetele, poziționați mai întâi vârful cuiului pe suprafața-țintă, iar apoi introduceți rotorul pe capul cuiului.

*4 AVERTISMENT

- Când împușcați un cui, asigurați-vă că vârful cuiului este în orificiul îmbinării metalice.

*5 PRECAUȚIE

- Când utilizați cârligul, agățați ferm scula electrică pentru a nu cădea în mod accidental. În cazul în care scula electrică este scăpată pe jos, acest lucru poate duce la un accident.
- Asigurați-vă că acumulatorul este îndepărtat când utilizați cârligul.
- Instalați ferm cârligul. Dacă nu ați instalat ferm cârligul, vă puteți vătăma în timpul utilizării.

PRECAUȚIE

La împușcarea unui cui, acționați pentru o perioadă scurtă de timp și evitați lucrul continuu. În caz contrar, se poate produce o defecțiune sau se poate scurge lubrifiant.

ÎNȚREȚINERE ȘI VERIFICARE

PRECAUȚIE

Asigurați-vă că ați îndepărtat acumulatorul din percuția pneumatică automată înainte de lucrările de întreținere și de inspecție.

AVERTISMENT

- Deconectați acumulatorul și îndepărtați cuiul din percuția pneumatică automată atunci când:
 - 1) efectuați lucrări de întreținere și de inspecție; și
 - 2) eliminați un blocaj.

- Fără a conecta acumulatorul, verificați dacă rotorul se mișcă stabil prin apăsarea rotorului pe un material cum ar fi lemnul.

1. Eliminarea unui blocaj (Fig. 11)

- ① Îndepărtați acumulatorul din percuția pneumatică automată.
- ② Îndepărtați cuiul blocat cu un clește.
- ③ În cazul unui blocaj frecvent, contactați un centru de service autorizat HIKOKI.

2. Inspecția rotorului (Fig. 6)

Curățați și lubrifiați periodic partea de alunecare a rotorului și soclul. Verificați dacă rotorul se mișcă ușor prin apăsarea percuției pneumatice automate pe un material cum ar fi lemnul.

Când pulberile de fier sau altele similare aderă la zona magnetizată din rotor, puterea de a ține un cui cu ajutorul magnetului poate fi redusă. Curățați zona cu o cârpă sau cu bandă adezivă unei.

De asemenea, curățați pulberea de fier de pe magnetul din exteriorul rotorului cu o cârpă sau cu bandă adezivă unei.

Acest lucru face ușoară funcționarea rotorului.

3. Verificarea șuruburilor de montare

Verificați la intervale regulate toate șuruburile de montare și asigurați-vă că acestea sunt corect strânse. Dacă există șuruburi slăbite, strângeți-le. Dacă există șuruburi slăbite, strângeți-le imediat. În caz contrar pot apărea pericole grave.

4. Întreținerea motorului

Bobinajul motorului este inima motorului.

Fiți foarte atenți să nu deteriorați bobinajul și să nu îl expuneți la ulei sau la apă.

5. Curățarea exteriorului

Când scula electrică este murdară, ștergeți-o cu o cârpă moale uscată sau cu o cârpă înmuiată în soluție de apă cu săpun. Nu folosiți solvenți pe bază de clor, benzină și nici diluanți, deoarece aceștia topesc masele plastice.

6. Depozitare

Depozitați scula electrică și acumulatorul într-un loc în care temperatura este sub 40°C și nu lăsați produsul la îndemâna copiilor.

NOTĂ

Depozitarea acumulatorilor litiu-ion.

Asigurați-vă că acumulatorii litiu-ion au fost complet încărcăți înainte de a-i depozita.

Depozitarea prelungită (3 luni sau mai mult) a acumulatorilor cu un nivel de încărcare scăzut poate duce la scăderea performanței, la reducerea semnificativă a timpului de utilizare a acumulatorilor sau poate face acumulatorii incapabili să stea încărcăți.

Cu toate acestea, timpul de utilizare a acumulatorilor semnificativ de redus poate reveni la normal prin încărcarea și utilizarea acumulatorilor în mod repetat, de două până la cinci ori.

Dacă durata de folosire a acumulatorului este foarte scurtă în ciuda încărcării și folosirii repetate, schimbați acumulatorii.

PRECAUȚIE

Pe durata folosirii și a operațiunilor de întreținere a mașinii trebuie respectate reglementările și standardele naționale privind securitatea.

Notă importantă pentru bateriile uneltelor HIKOKI cu acumulatori

Utilizați întotdeauna acumulatori originali. Nu garantăm siguranța și performanța uneltei dacă se utilizează alți acumulatori decât cei recomandați sau dacă acumulatorul original este dezmembrat sau modificat (cum ar fi demontarea și înlocuirea celulelor sau a altor părți interne).

GARANȚIE

Garantăm sculele electrice HIKOKI în conformitate cu reglementările statutare/specifice țării. Această garanție nu acoperă defectele sau daunele provocate de utilizarea necorespunzătoare, abuz sau de uzura și deteriorarea normale. În cazul în care aveți reclamații, vă rugăm să trimiteți scula electrică nedemontată, împreună cu CERTIFICATUL DE GARANȚIE care se găsește la finalul prezentelor Instrucțiuni de utilizare, la o unitate service autorizată de HIKOKI.

Informații privind nivelul de zgomot transmis prin aer și nivelul de vibrații

Valorile măsurate au fost determinate în conformitate cu EN62841 și sunt declarate conforme cu ISO 4871.

Nivelul tipic al puterii sonore ponderate A: 107 dB (A)

Nivelul tipic al presiunii sonore ponderate A: 96 dB (A)

Incertitudine K : 3 dB (A).

Purtați protecție auditivă.

Valorile totale ale vibrațiilor (suma vectorială pe cele trei axe) au fost stabilite în conformitate cu EN62841.

Valoarea emisiei de vibrații: 15,5 m/s²

Incertitudine K = 1,5 m/s²

Valoarea totală declarată a vibrațiilor și valoarea declarată a emisiei de zgomot au fost măsurate în conformitate cu o metodă standard de testare și pot fi utilizate pentru compararea unei scule cu alta.

Acestea pot fi utilizate și ca o evaluare preliminară a expunerii.

AVERTISMENT

- Vibrațiile și emisia de zgomot în timpul folosirii efective a sculei electrice pot diferi de valorile totale declarate, în funcție de modurile în care este utilizată scula, în special de ce tip de piesă de prelucrat este procesată; și
- Identificați măsuri de siguranță ce trebuie luate pentru protejarea operatorului și care sunt bazate pe estimarea expunerii, în condiții reale de utilizare (ținând seama de toate componentele ciclului de utilizare, cum ar fi timpul necesar opririi sculei și timpul de funcționare suplimentar la pornirea sculei).

NOTĂ

Ca urmare a programului continuu de cercetare și dezvoltare derulat de HIKOKI, prezentele specificații pot fi modificate fără notificare prealabilă.

SPLOŠNA VARNOSTNA NAVODILA ZA ELEKTRIČNA ORODJA

⚠ OPOZORILO

Preberite vsa varnostna opozorila, navodila, slikovne prikaze in specifikacije, ki so priložena orodju.

Neupoštevanje vseh spodaj navedenih navodil lahko povzroči električni udar, požar in/ali resne telesne poškodbe.

Vsa opozorila in navodila shranite, ker jih boste v prihodnje še potrebovali.

Izraz »električno orodje« v opozorilih se nanaša na električno orodje, ki se napaja z električnim pogonom (z električnim kablom) in na akumulatorsko električno orodje (brez električnega kabla).

1) Varnost na delovnem mestu

- a) Delovno mesto mora biti čisto in dobro osvetljeno.

Nered in neosvetljena področja lahko povzročijo nezgodo.

- b) Električnega orodja ne uporabljajte v eksplozivnih okoljih, na primer v bližini vnetljivih tekočin, plinov ali prahu.

Električno orodje pri delu proizvaja iskre, ki lahko vnamejo prah ali hlape.

- c) Med delom z električnim orodjem ne dovolite, da bi se vam otroci ali druge osebe približale.

Z motenjem vaše pozornosti lahko izgubite nadzor nad orodjem.

2) Električna varnost

- a) Priključni vtičak električnega orodja mora ustrezati vtičnici. Vtičaka ni dovoljeno kakor koli spreminjati. Pri ozemljenih električnih orodjih ne uporabljajte vtičavev z adapterji.

Nespremenjeni vtičaji in ustrezne vtičnice zmanjšujejo tveganje električnega udara.

- b) Preprečite stik z ozemljenimi površinami, kot so cevi, grelci, štedilniki in hladilniki.

Ko je vaše telo ozemljeno, je nevarnost električnega udara večja.

- c) Električnega orodja ne izpostavljajte dežju ali vlagi.

Vdor vode v električno orodje povečuje tveganje električnega udara.

- d) Ne zlorablajte kabla. Kabla ne uporabljajte za prenašanje električnega orodja in ne vlecite za kabel, če želite vtičak izvleči iz vtičnice.

Kabla ne izpostavljajte vročini, olju, ostrim robovom in premikajočim se delom.

Poškodovani in zapleteni kabli povečujejo tveganje električnega udara.

- e) Kadar uporabljate električno orodje zunaj, uporabljajte kabelski podaljšek, ki je primeren za delo na prostem.

Z uporabo kabelskega podaljška, ki je izdelan za delo na prostem, je tveganje električnega udara manjše.

- f) Če je delo z električnim orodjem v vlažnem okolju neizogibno, uporabite stikalo za zaščito pred diferencialnim tokom.

Zaščitno stikalo zmanjšuje tveganje električnega udara.

3) Osebna varnost

- a) Bodite pozorni, pazite kaj delate ter se dela z električnim orodjem lotite z razumom.

Električnega orodja ne uporabljajte, če ste utrujeni ali pod vplivom mamil, alkohola ali zdravil.

Trenutek nepozornosti med delom z električnim orodjem je lahko vzrok za resne telesne poškodbe.

- b) Uporabite osebno zaščitno opremo. Vedno nosite zaščitna očala.

Nošenje zaščitne opreme, kot so maska za prah, protizdrsní zaščitni čevlji, varnostna čelada ali zaščitni glušniki, kar je odvisno od vrste in načina uporabe električnega orodja, zmanjšuje tveganje telesnih poškodb.

- c) Izogibajte se nenamernemu zagonu. Preden orodje priključite na električno omrežje in/fali na akumulator, preden ga dvignete ali nosite, se prepričajte da je orodje izklopljeno.

Prenašanje električnega orodja s prstom na stikalu ali priključitev vklopljenega električnega orodja na električno omrežje je lahko vzrok za nezgodo.

- d) Preden električno orodje vklopite, odstranite nastavitvena orodja in izvijače.

Orodje ali ključ, ki se nahaja na vrtečem delu električnega orodja lahko povzroči telesne poškodbe.

- e) Izogibajte se nenormalni drži. Poskrbite za trdno stojišče in za stalno ravnotežje.

Na ta način lahko v nepričakovanih situacijah bolje nadzorujete električno orodje.

- f) Nosite primerna oblačila. Med delom ne nosite ohlapnih oblačil ali nakita. Las in oblačil ne približujte premikajočim se delom.

Ohlapna oblačila, nakit ali dolgi lasje se lahko ujamejo med premikajoče se dele.

- g) Če je na napravu možno montirati priprave za odsesavanje ali prestrezanje prahu, se prepričajte, da so te ustrezno priključene in pravilno uporabljene.

Zbiranje prahu lahko zmanjša nevarnosti povezane s prahom.

- h) Ne dovolite, da vas znanje, pridobljeno s pogostim rokovanjem z orodjem, zavede, da zanemarite varnostna navodila za ravnanje z orodjem.

Neprevidnost lahko že v delčku sekunde povzroči hude telesne poškodbe.

4) Uporaba in vzdrževanje električnega orodja

- a) Električnega orodja ne preobremenjujte. Za izbrano delo uporabite ustrezno električno orodje.

Z ustreznim električnim orodjem boste delo opravili bolje in varneje.

- b) Električnega orodja ne uporabljate, če stikalo za vklop/izklop orodja ne deluje.

Električno orodje, ki ga ni več možno vklopiti ali izklopiti, je nevarno in ga je potrebno popraviti.

- c) Pred nastavljanjem orodja, zamenjavo priključkov ali shranjevanjem orodja izvlecite vtičak električnega orodja iz vira napajanja in/ali odstranite akumulator.

S takšnimi preventivnimi varnostnimi ukrepi preprečujete nenamerni zagon orodja.

- d) Električno orodje shranite izven dosega otrok in ne dovolite upravljanja orodja osebam, ki orodja ne poznajo in niso prebrale teh navodil.

Električno orodje je nevarno v rokah neizkušenih uporabnikov.

- e) Vzdržujte električno orodje in priključke. Preverite pravilno delovanje premičnih delov orodja, poškodbe delov in druga stanja, ki bi lahko vplivala na delovanje električnega orodja. V primeru poškodb je potrebno električno orodje pred uporabo popraviti.

Slabo vzdrževano električno orodje je vzrok mnogih nesreč.

- f) Rezano orodje naj bo ostro in čisto.

Pravilno vzdrževano rezalno orodje z ostrimi robovi se manj pogosto zatika in je lažje vodljivo.

VARNOSTNA OPOZORILA ZA AKUMULATORSKO KLADIVO ZA ŽEBLJE

- g) Električno orodje, pribor, vsadna orodja in podobno uporabljajte v skladu s temi navodili, pri čemer upoštevajte delovne pogoje in dejavnost, ki jo boste opravljali.
Uporabo električnega orodja v druge namene lahko privede do nevarne situacije.
- h) Ročaji in prijemalne površine naj bodo suhe, čiste in brez olja in masti.
Spolzki ročaji in prijemalne površine ne omogočajo varnega ravnanja in nadzora orodja v nepričakovanih situacijah.
- 5) **Uporaba in vzdrževanje akumulatorja**
- a) Polnite samo s polnilnikom, ki ga je določil proizvajalec.
Polnilnik, ki je primeren za en tip akumulatorja lahko povzroči nevarnost požara, če ga uporabite z drugim akumulatorjem.
- b) Električna orodja uporabljajte samo s posebej izdelanimi akumulatorji.
Uporaba drugih akumulatorjev lahko povzroči tveganje poškodb in požara.
- c) Ko akumulatorja ne uporabljate ga shranite v stran od kovinskih predmetov kot so sponke, kovanci, ključiči, žebliji, vijaki ter drugih manjših kovinskih predmetov, ki lahko povežejo en priključek z drugim.
Kratek stik med priključki na akumulatorju lahko povzroči opeklino ali požar.
- d) Med nepravilno rabo lahko iz akumulatorja priteče tekočina; izogibajte se stiku z njo. V primeru, da pride do stika, takoj operite z vodo. V primeru, da pride tekočina v stik z očmi, poiščite dodatno zdravniško pomoč.
Tekočina iz akumulatorja lahko povzroči vnetje ali opeklino.
- e) Ne uporabljajte poškodovanega ali spremenjenega baterijskega vložka ali orodja.
Poškodovane ali spremenjene baterije so nepredvidljive, povzročijo lahko požar, eksplozijo ali poškodbe.
- f) Baterijskega vložka ali orodja ne izpostavljajte požaru ali prekomerni temperaturi.
Izpostavljenost požaru ali temperaturi nad 130°C lahko povzroči eksplozijo.
- g) Upoštevajte vsa navodila za polnjenje in baterijskega vložka ali orodja ne napolnite zunaj temperaturnega območja, določenega v navodilih.
Nepravilno polnjenje ali polnjenje pri temperaturah zunaj določenega območja lahko poškoduje baterijo in poveča nevarnost požara.
- 6) **Servisiranje**
- a) Električno orodje lahko servisira le usposobljena oseba, ki mora uporabljati originalne nadomestne dele.
Na ta način se ohrani varnost električnega orodja.
- b) Nikoli ne popravljajte poškodovanih baterijskih vložkov.
Baterijske vložke lahko servisirajo samo proizvajalec ali pooblaščen servisierji.

VARNOSTNI UKREP

Preprečite dostop otrokom in neusposobljenim osebam. Kadar orodja ne uporabljate, ga shranite nedosegljivo otrokom in neusposobljenim osebam.

- Vedno domnevajte, da orodje vsebuje žeblje.**
Brezskrbno upravljanje s kladivom za žeblje lahko povzroči nepričakovano sproženje žebeljev in telesne poškodbe.
- Ne usmerjajte orodja proti sebi ali osebam v bližini.**
Nepričakovano sproženje bo sprožilo žebelj, ki povzroči poškodbo.
- Orodja ne sprožite, če ni trdno pritisnjeno na obdelovanca.**
Če orodje ni v stiku z obdelovancem, se lahko žebelj odbije od cilja.
- Če se žebelj zatakne v orodju, ga odklopite z napajanja.**
Med odstranjevanjem zagozdenega žeblja se lahko kladivo za žeblje nehote aktivira, če je povezano z napajanjem.
- Ne uporabljajte tega kladiva za žeblje za pritrdjevanje električnih kablov.**
Ni namenjeno za vgradnjo električnega kabla in lahko poškoduje izolacijo električnih kablov, s tem pa povzroči električni udar ali nevarnost požara.
- Pri delu uporabljajte glušnike**
Izpostavljanje hrupu lahko povzroči izgubo sluha.
- Uporabljajte dodatne ročaje, ki so priloženi orodju.**
Izguba nadzora nad orodjem lahko povzroči telesne poškodbe.
- Med delom, kjer bi lahko pritrdilo prišlo v stik s skrito električno napeljavo, držite električno orodje za izolirane ročaje.**
Stik pritrdil z napeljavo pod napetostjo lahko prenese napetost na izpostavljene kovinske dele električnega orodja in povzroči električni udar.

DODATNA VARNOSTNA NAVODILA

- Med delom trdno držite orodje.**
V primeru, da tega ne storite lahko pride do poškodb. (Sl. 12)
- Varno delovanje s pravilno uporabo.**
To orodje je bilo zasnovano za pribijanje žebeljev v les in podobne materiale. Uporabljajte samo za namene, za katere je narejeno.
- Bodite pozorni na vžig in eksplozije.**
Ker lahko iskre letijo med zabijanjem žebeljev, je to orodje nevarno uporabljati v bližini laka, barve, benzina, razredčila, bencina, plina, lepil in podobnih vnetljivih snovi, saj se lahko vnamejo ali eksplodirajo. Pod nobenimi pogoji tega orodja ne smete uporabljati v bližini takega vnetljivega materiala.
- Vedno nosite zaščito za oči (zaščitna očala).**
Med delom z električnim orodjem vedno nosite zaščitna očala in poskrbite, da jih uporabljajo tudi osebe v bližini.
Možnost, da bi delci žebeljev, ki niso bili pravilno udarjeni, vstopili v oči, je nevarna za oči. Zaščito za oči lahko kupite v katerikoli trgovini z orodjem. Vedno nosite zaščito za oči, medtem ko uporabljate to orodje. Uporabljajte zaščito za oči ali masko s širokim vizirjem preko predpisanih očal. Delodajalci morajo vedno uveljavljati obvezno uporabo opreme za zaščito oči.
- Zaščitite ušesa in glavo.**
Ko zabijate žeblje, nosite nausnike in zaščito za glavo. Odvisno od pogojev prav tako zagotovite, da osebe v okolici uporabljajo nausnike in zaščito za glavo.



6. Bodite pozorni na osebe, ki delajo blizu vas.

Zelo nevarno bi bilo, če bi žebliji, ki niso pravilno pribiti, zadeli druge osebe. Zato bodite pri uporabi tega orodja vedno pozorni na varnost oseb okoli vas. Vedno se prepričajte, da nihče nima telesa, rok ali nog blizu izhoda za žeblje.

7. Nikoli ne usmerite izhoda za žeblje proti osebam.



Vedno domnevajte, da orodje vsebuje pritrnila.

Če izhod za žeblje usmerite proti drugim osebam, lahko povzročite resne nesreče, če orodje nenamerno sprožite.

Pri povezovanju in odklopu baterije, med nalaganjem žebeljev ali podobnimi postopki se prepričajte, da izhod za žeblje ni usmerjen v kakšno osebo (vključno z vami). Tudi če žebliji niso naloženi, je prazenjen orodja, ki ga usmerite proti osebam, nevarno, zato tega nikoli ne počnite. Brez grobih šal. Spoštujte orodje kot delovni pripomoček.

8. Pred uporabo preverite prečko.

Pazite, da prečka deluje pravilno. Nikoli ne uporabljajte kladiva za žeblje, če prečka ne deluje pravilno, v nasprotnem primeru bi kladivo za žeblje lahko nepričakovano sprožilo žebelj. Ne posegajte v ali odstranite prečke, sicer prečka postane neuporabna.

9. Uporabljajte samo določene žeblje.

Nikoli ne uporabljajte drugih žebeljev kot tiste, ki so navedeni in opisani v teh navodilih.

10. Bodite previdni, ko povežete baterijo.

Da se pri povezovanju baterije in vstavljanju žebeljev orodje ne bi po nesreči sprožilo, zagotovite naslednje.

- Ne dotikajte se sprožilca.
- Ne dovolite, da bi sprožilna glava prišla v stik s katero koli površino.
- Sprožilno glavo držite navzdol.

Strogo upoštevajte zgornja navodila in vedno zagotovite, da noben del telesa, rok in nog ni pred izhodom za žeblje.

11. Ne položite prsta brezskrbno na sprožilec.

Ne polagajte prsta na sprožilec, razen če dejansko zabijate žeblje. Če orodje nosite ali ga nekemu podate, ko imate prst na sprožilcu, lahko nenamerno sprožite žebelj in tako povzročite nesrečo.

12. Trdno pritisnite izhod za žeblje na material, ki ga želite pritrčiti.

Pri zabijanju žebeljev izhod za žeblje močno pritisnite ob material, ki ga želite pritrčiti. Če izhoda ne uporabljate pravilno, se lahko žebliji zvijajo.

13. Med uporabo držite roke in noge stran od sprožilne glave.



Obstaja velika nevarnost, da žebelj po pomoti zadene roke ali noge.

14. Pazite na povratni udarec orodja.

Med delovanjem se ne približujte zgornjemu delu orodja z glavo ipd. To je nevarno, saj se orodje lahko močno odzove, če žebelj, ki ga trenutno pribijate, pride v stik s prejšnjim žebeljem ali grčo v lesu.

15. Pazite pri zabijanju tanjših plošč ali na vogalih lesa.

Pri zabijanju tankih plošč lahko žebliji preidejo naravnost skozi, kar se lahko zgodi tudi pri zabijanju na vogalih lesa zaradi odboja žebeljev. V takšnih primerih vedno poskrbite, da za tanko ploščo ali ob lesu, ki ga zabijate, ni nikogar (in rok ali nog ipd.).

16. Istočasno zabijanje žebeljev na obeh straneh iste stene je nevarno.

Pod nobenim pogojem ne smete zabijanja izvajati istočasno na obeh straneh stene. To bi bilo zelo nevarno, saj bi žebliji lahko prešli skozi steno in tako povzročili poškodbe.

17. Ne uporabljajte električnega orodja na odrih, lestvah.

Električnega orodja ne uporabljajte za določeno uporabo, na primer:

- pri zamenjavi ene lokacije zabijanja za drugo, pri kateri je potrebna uporaba odrov, stopnic, lestev ali podobnih konstrukcij, npr. strešnih letev,
- za zapiranje škatal ali zabojev,
- za namestitev varnostnih sistemov za prevoz, npr. na vozila in vagona.

18. Odstranite vse preostale žeblje in baterijo iz kladiva za žeblje, ko/če:

- 1) izvajate vzdrževanje in pregled;
- 2) preverjate pravilno delovanje prečke in sprožilca;
- 3) odstranjujete zastoj;
- 4) orodja ne uporabljate;
- 5) zapustite delovno področje;
- 6) se premeščate na drugo lokacijo; in
- 7) predate orodje drugi osebi.

Nikoli ne poskušajte odstraniti zastoja ali popravljati kladiva za žeblje, razen če ste iz kladiva za žeblje odstranili baterijo in vse preostale žeblje.

Kladiva za žeblje nikoli ne puščajte brez nadzora, saj bi ga osebe, ki niso seznanjene s kladivom za žeblje, lahko uporabile in se poškodovale.

19. Pri čiščenju električnega orodja ne uporabljajte bencina ali drugih vnetljivih tekočin.

Če v električno orodje pridejo hlapi iz vnetljive tekočine, obstaja nevarnost, da iskre, ki nastanejo pri spenjanju ipd., povzročijo eksplozijo.

20. Okolje delovanja za to napravo je med 0°C in 40°C, in tako zagotovite uporabo v tem temperaturnem območju. Naprava morda ne bo delovala pod 0°C ali nad 40°C.

21. NIKOLI ne dovolite, da bi magneti (ali podobne magnetne naprave) bili v bližini kladiva za žeblje, saj ima le-ta v notranjosti magnet.

S tem lahko povzročite tveganje za poškodbe zaradi napake ali okvare.

22. Po daljšem delu je potrebno napravo ohladiti.

23. Električno orodje je za zaščito motorja opremljeno s temperaturnim zaščitnim stikalom. Zaradi neprekinjenega dela se lahko zviša temperatura naprave, kar aktivira temperaturno zaščitno stikalo in samodejno ustavi delovanje. V tem primeru počakajte, da se električno orodje ohladi, preden nadaljujete z delom.

24. Ta izdelek lahko preneha delovati, ko je zaznana nepravilnost.

25. Ne glejte neposredno v lučko. Neupoštevanje tega lahko povzroči poškodbo oči.

Z mehko krpo odstranite umazanijo ali nesnago z leče lučke LED, pri čemer bodite previdni, da ne opraskate leče.

Praske na leči lučke LED lahko zmanjšajo svetlost.

PREVIDNOSTNI UKREPI ZA BATERIJO IN POLNILEC

1. Baterijo vedno polnite pri okoljski temperaturi od 0–40°C.

Temperatura, nižja od 0°C bo povzročila prenapolnjenost kar je nevarno. Baterije ni mogoče polniti pri temperaturi višji od 40°C.

Najbolj primerna temperatura za polnjenje je med 20–25°C.

2. Polnilnika ne uporabljate neprekinjeno.

Ko zaključite s polnjenjem, pustite polnilnik mirovati približno 15 minut pred naslednjim polnjenjem baterije.

3. Ne dovolite, da bi v luknjo, ki povezuje polnilno baterijo prišel tujek.

4. **Polnilne baterije in polnilnika nikoli ne razstavljajte.**
5. **V polnilni bateriji nikoli ne povzročite kratkega stika.**
Kratek stik v bateriji bo povzročil močan električni tok in pregrevanje. Posledica tega bo pregrete ali poškodba baterije.
6. **Baterije ne zavrzite v ogenj.**
Če baterija zagori, lahko eksplodira.
7. **Uporaba prazne baterije lahko poškoduje polnilnik.**
8. **Ko se življenjska doba baterije zmanjša za normalno uporabo, jo takoj nesite v trgovino, kjer ste jo kupili.**
Prazne baterije ne zavrzite.
9. **V prezačevalne reže polnilnika ne vstavljajte predmetov.**
Vstavljanje kovinskih ali vnetljivih predmetov v prezačevalne reže polnilnika bo povzročilo električni udar ali poškodovalo polnilnik.

11. Če baterija teče, ima čuden vonj, generira toploto, je razbarvana ali deformirana oziroma kakorkoli izgleda čudna med uporabo, polnjenjem ali shranjevanjem jo takoj odstranite iz opreme ali polnilnika in jo neahajte uporabljati.
12. Ne potaplajte baterije in ne dovolite, da vanjo stečejo kakršnekoli tekočine. Vstop prevodne tekočine, kot je voda, lahko povzroči poškodbe ter posledično požar ali eksplozijo. Baterijo shranjujte na hladnem, suhem mestu, stran od lahko vnetljivih in gorljivih predmetov. Izogibati se je potrebno jedkim plinskimi ozračjem.

POZOR

1. Če tekočina, ki izteka iz baterije pride v stik z vašimi očmi jih ne drgnite ampak jih operite s svežo, čisto vodo ter takoj obiščite zdravnika.
Tekočina lahko povzroči težave z očmi, če ne greste k zdravniku.
2. Če tekočina pride na kožo ali oblačila jih takoj operite s čisto vodo iz pipe.
Obstaja možnost, da lahko povzroči draženje kože.
3. Če opazite rjo, čuden vonj, pregrevanje, razbarvanje, deformacijo in/ali druge nepravilnosti pri prvi uporabi baterije, je ne uporabljajte in jo vrnite dobavitelju ali prodajalcu.

OPOZORILO ZA LITIJ-IONSKO BATERIJO

Za podaljšanje življenjske dobe je litij-ionska baterija opremljena z zaščitno funkcijo, ki ustavi izhod.

V zgoraj opisanih primerih od 1 do 3 se pri uporabi tega izdelka, tudi če ugasnete stikalo, motor lahko ustavi. To ni nobena težava, ampak rezultat zaščitne funkcije.

1. Ko se porabi preostala moč baterije se motor ugasne.
V tem primeru baterijo takoj napolnite.
2. Če je orodje preobremenjeno se motor lahko ustavi.
V tem primeru sprostite stikalo orodja in odstranite vzroke za preobremenitev. Po tem lahko orodje spet uporabljate.
3. Če se baterija pregreje zaradi preobremenitve, se bo ustavil dovod moči.
V tem primeru neahajte uporabljati baterijo in pustite jo, da se ohladi. Po tem lahko orodje spet uporabljate.

Prosimo, da upoštevate naslednja opozorila in ukrepe.

OPOZORILO

Da bi preprečili iztekanje baterija, ustvarjanje toplote, oddajanje dima, eksplozijo in zažiganje, prosimo, da upoštevate naslednja varnostna opozorila.

1. Preprečite nabiranje kovinskih drobcov in prahu na akumulatorju.
 - Med delom poskrbite, da kovinski drobcji in prah ne padajo na akumulator.
 - Med delom poskrbite, da se morebitni kovinski drobcji in prah z električnega orodja ne nabirajo na akumulatorju.
 - Neuporabljenega akumulatorja ni dovoljeno hraniti na mestu, kjer je izpostavljen kovinskim drobcem in prahu.
 - Pred shranjevanjem akumulator očistite in odstranite kovinske drobce ter prah, ki se lahko sprimejo na akumulator; akumulatorja ne hranite skupaj s posameznimi kovinskimi deli (vijaki, žebliji itn.).
2. Baterije ne prebadajte z ostrimi predmeti kot so žebliji, ne udarjajte je s kladivom, ne stopite na njo, jo mečite ali izpostavljajte težkih fizičnim udarom.
3. Vidno poškodovane ali deformirane baterije ne uporabljate.
4. Baterije z zamenjano polariteto ne uporabljate.
5. Baterije ne priključite neposredno na električne vtičnice ali cigaretni vžigalnik v avtomobilu.
6. Baterijo uporabljajte le za določene namene.
7. Nadaljnje polnjenje takoj ustavite, če se polnjenje ne zaključi, ko preteče določen čas polnjenja.
8. Baterije ne postavljajte ali izpostavljajte na visoke temperature ali visok pritisk, na primer v mikrovalovno pečico, sušilec ali visokotlačno komoro.
9. Ko zaznate iztekanje ali neprijeten vonj se takoj odmaknite od ognja.
10. Ne uporabljati v prostorih, kjer se ustvarja močna statična elektrika.

OPOZORILO

Če v priključek litij-ionske baterije pride prevoden tujek, lahko pride v bateriji do kratkega stika, kar lahko sproži požar. Ob shranjevanju litij-ionske baterije upoštevajte naslednje vsebine.

- V škatlo za shranjevanje ne shranjujte prevodnih stvari, žebeljev in žic kot sta železna in bakrena žica.
- Da preprečite nastanek kratkega stika, namestite baterijo v orodje ali pa varno vstavite pokrov baterije, ki pokriva prezačevalno režo (**sl. 2**).

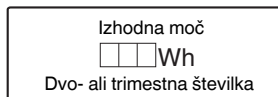
GLEDE TRANSPORTA LITIJEVIH BATERIJ

Pri transportu litijevih baterij upoštevajte naslednje previdnostne ukrepe.

OPOZORILO

Obvestite transportno podjetje o tem, da paket vsebuje litijevo baterijo, in o izhodni moči ter upoštevajte navodila transportnega podjetja, ko urejate prevoz.

- Litijeve baterije, ki imajo izhodno moč višjo od 100 Wh so označene kot nevarno blago in za njih boste morali izpolniti posebne prijavne postopke.
- Pri mednarodnem transportu morate upoštevati mednarodno zakonodajo in pravila ter ureditve ciljne države.
















IMENA DELOV (SI. 1 – SI. 12)

①	Sprožilna glava (izhod)
②	Prečka
③	Lučka LED
④	Sprožilo
⑤	Kljuka
⑥	Baterija
⑦	Zatič
⑧	Pokrov baterije
⑨	Priključki
⑩	Prezračevalne odprtine
⑪	Polnilnik
⑫	Glava žeblja
⑬	Gred žeblja
⑭	Konica žeblja
⑮	Magnet
⑯	Magnetno območje
⑰	Žebelj
⑱	Pogonska enota
⑲	Kovinski sklep
⑳	Odprtina
㉑	Vijak
㉒	Utor
㉓	Klešče

SIMBOLI

OPOZORILO

V nadaljevanju so prikazani simboli, uporabljeni pri stroju. Pred uporabo se prepričajte, da jih razumete.

	NH18DSL: Akumulatorsko kladivo za žeblje
	Da ne bi prišlo do poškodb, mora uporabnik prebrati navodila.
	Upravljalci in druge osebe v delovnem območju morajo nositi zaščitna očala s stranskimi ščitniki.
	Orodja nikoli ne obračajte proti sebi ali drugim osebam v delovnem območju.
	Odklopite baterijo
	Ne uporabljajte na odrih, lestvah.
	Samo za države EU Električnih orodij ne zavržite skupaj z gospodinjstvi odpadki! V skladu z evropsko direktivo 2012/19/EU o odpadni električni in elektronski opremi in izvedbi v skladu z državnimi zakoni, je treba električna orodja, ki so dosegla življenjsko dobo ločeno zbirati in vrniti v z okoljem združljivo ustanovo za recikliranje.
	Enosmerni tok
	Teža (Glede na postopek EPTA 01/2014)
	Stikalo za vklop
	Stikalo za izklop
	Opozorilo
	Prepovedan postopek

SPECIFIKACIJE

1. Akumulatorsko kladivo za žeblje

Model	NH18DSL
Napetost	18 V
Število udarcev	4000 min ⁻¹
Uporabni žebelj	Ø1,7 – 4,1 mm (Glej Tabela 1)*1
Veljavna dolžina žeblja	25 mm do 90 mm*1
Teža*2	1,3 – 1,9 kg
Dimenzije Višina x Dolžina	135 mm x 285 mm (BSL1815)

*1: Nasprotni les: SPF, cedra

Orodje morda ne bo zmoglo popolnoma vstaviti žeblja v trde materiale, kot so kanadska čuga, MDF ali laminiran les.

*2: Teža: V skladu z EPTA postopkom 01/2014. Odvisno od priložene baterije. Najvišja teža se meri z BSL36B18 (napredaj posebej).

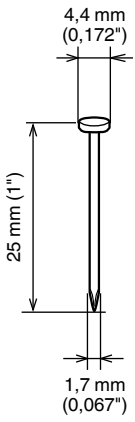
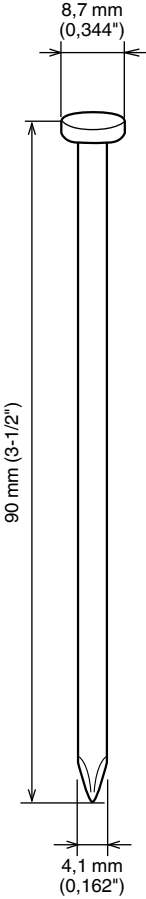
OPOMBA

Zaradi HiKOKIJEVEGA programa nenehnega raziskovanja in razvoja se specifikacije lahko spremenijo brez predhodnega obvestila.

IZBIRA ŽEBLJA

S tem kladivom za žeblje uporabite žeblje naslednjih velikosti.

Tabela 1

Min.	Maks.
 <p>4,4 mm (0,172")</p> <p>25 mm (1")</p> <p>1,7 mm (0,067")</p>	 <p>8,7 mm (0,344")</p> <p>90 mm (3-1/2")</p> <p>4,1 mm (0,162")</p>

OPOZORILO

- Ne uporabljajte žebeljev drugih velikosti. Ti lahko poškodujejo prečko ali so izstreljeni v poševni smeri.
- Pazite na velikost glave žeblja. Velikost glave žeblja se lahko razlikuje med velikimi in majhnimi s komercialno dostopnimi žebli.
- Ne uporabljajte utrjenih žebeljev.

OPOMBA

- Orodje morda ne bo zmoglo popolnoma vstaviti žeblja v trde materiale, kot so kanadska čuga, MDF ali laminiran les.

STANDARDNA OPREMA

OPOZORILO

- Dodaki, razen tistih, ki so navedeni spodaj, lahko povzročijo okvare in posledične poškodbe.

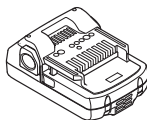
① Zaščita oči.....1



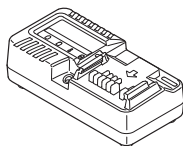
OPOMBA: Dodaki se lahko spremenijo brez obveznosti HiKOKI-ja.

OPCIJSKA OPREMA (SE PRODAJA POSEBEJ)

1. Baterija
 - BSL1815



2. Polnilnik
 - UC18YKSL (Napetost polnjenja: 14,4 V – 18 V)



Opcijski pribor je predmet sprememb brez obvestila.

UPORABA

- Leseni materiali v splošnih gradnjah, okovi, lesene površine, izdelava okvirjev in obnove

POLNJENJE

Baterija in polnilnik baterij nista priložena temu izdelku. Polnilne baterije polnite v skladu z navodili za rokovanje polnilnika, ki ga uporabljate. (SI. 5)

NAMESTITEV IN DELOVANJE

Dejanje	Slika	Stran
Vstavljanje in odstranjevanje baterije	3	2
Delovanje stikal	4	2
Polnjenje	5	3
Preverjanje delovanja prečke*1	6	3
Streljanje z držanjem žeblja z magnetom*2	7	3
Streljanje z držanjem žeblja s prsti.*3	8	3
Pritrditev žeblja na kovinski spoj*4	9	4
Uporaba kljuke*5	10	4
Odstranjevanje zastoja	11	4
Izbor pribora	—	199

*1 OPOZORILO

- Preverite, ali se prečka med delovanjem gladko premika. Očistite drsni del na prečki, če ne drsi gladko.

*2 OPOZORILO

- Pri vstavljanju žeblja na prečko držite steblo žeblja in ne konice.
- Pri vstavljanju žeblja na prečko zagotovite, da ne pritiska na konico pogonske enote.
- Pri vstavljanju žeblja na prečko ne držite prstov ali rok pod konico žeblja.

*3 OPOZORILO

- Ko streljate žebelj, ki ga držite s prsti, najprej postavite konico žeblja na cilj in nato vstavite prečko v glavo žeblja.

*4 OPOZORILO

- Pri streljanju žeblja se prepričajte, da je konica žeblja v odprtini kovinskega sklepa.

*5 POZOR

- Pri uporabi kavlja trdno obesite električno orodje, da po naključju ne pade. Če električno orodje pade iz rok, lahko to povzroči nesrečo.
- Ko uporabljate kljuko zagotovite, da je baterija odstranjena.
- Kljuko varno namestite. Če kljuka ni varno nameščena, lahko povzroči poškodbe med uporabo.

POZOR

Ko streljate žebelj, zaženite za kratek čas in se izogibajte neprekinjenemu delu. V nasprotnem primeru lahko pride do napake ali izpuščanja masti.

VZDRŽEVANJE IN PREGLEDOVANJE

POZOR

Pred vzdrževanjem in pregledovanjem obvezno odstranite baterijo iz kladiva za žeblje.

OPOZORILO

- Odklopite in odstranite baterijo iz kladiva za žeblje, ko:
 - 1) izvajate vzdrževanje in pregled; in
 - 2) odstranjujete zastoje.
- Brez da bi povezali baterijo, preverite, če se prečka enakomerno premika tako, da konico prečke pritisnete proti materialu, kot je les.
 1. **Odstranjevanje zastoja (sl. 11)**
 - ① Odstranite baterijo iz kladiva za žeblje.
 - ② Odstranite zagozdeni žebelj s kleščami.
 - ③ V primeru pogostega zagozdenja se obrnite na pooblaščen servisni center HiKOKI.
 2. **Pregled prečke (sl. 6)**

Občasno očistite in namažite drsni del prečke in vstavni nastavek.

Preverite, ali se prečka gladko premika s pritiskom kladiva za žeblje proti materialu, kot je les. Če se železov prah ali podobno prilepi na magnetni del na prečki, se lahko zmanjša moč magnetnega držanja žebeljev. Občasno očistite območje s krpo ali lepilnim trakom. Prav tako očistite železov prah na magnetu na zunanji strani prečke s krpo ali lepilnim trakom. S tem zagotovite gladko delovanje prečke.
 3. **Pregled montažnih vijakov**

Redno preverjajte vse montažne vijake in se prepričajte, da so primerno zaviti. Če se katerikoli vijak odvije, ga takoj zavijte. Če tega ne naredite lahko pride do resnih nesreč.
 4. **Vzdrževanje motorja**

Navitje enote motorja je "srce" električnega orodja. Bodite zelo pazljivi, da navitja ne poškodujete in/ali zmočite z oljem ali vodo.

5. Čiščenje zunanosti

Umazano električno orodje obrišite z mehko suho krpo ali s krpo, navlaženo z milnico. Ne uporabljajte klorovih raztopin, bencina ali razredčevalcev barve, saj ti stopijo plastiko.

6. Skladiščenje

Električno orodje in baterijo shranjujte na mestu, kjer je temperatura nižja od 40°C in zunaj dosega otrok.

OPOMBA

Shranjevanje litij-ionskih baterij. Zagotovite, da so litij-ionske baterije popolnoma napolnjene, preden jih shranite.

Dolgotrajno shranjevanje baterij (3 mesece ali več), ki so le malo napolnjene, lahko vodi do slabšega delovanja, znatnega zmanjšanja časa uporabe baterije ali povzroči, da baterij ni več možno napolniti.

Vendar pa se lahko znatno zmanjšan čas uporabe baterije popravi tako, da se baterije dva do petkrat ponavljajoče napolnijo in uporabijo.

Če je kljub ponavljajočem polnjenju in uporabi čas baterije še vedno zelo kratek, baterije zavržite in kupite nove.

POZOR

Pri uporabi in vzdrževanju električnih orodjih je treba upoštevati varnostne uredbe in standarde, ki so določene za vsako državo.

Pomembno obvestilo v zvezi z akumulatorskimi baterijami za akumulatorsko orodje HiKOKI

Obvezno uporabljajte originalne akumulatorske baterije, izdelane za določeno orodje. Za varnost in pravilno delovanje našega akumulatorskega električnega orodja ne jamčimo, če uporabljate akumulatorske baterije, ki jih ne potrjuje naše podjetje, in tudi ne, če akumulatorsko baterijo razstavite ali preoblikujete (na primer demontirate in zamenjate celice ali druge notranje dele).

GARANCIJA

Garantiramo za HiKOKI električna orodja v skladu z ustavno/državno veljavnimi uredbami. Garancija ne pokriva napak ali poškodb, ki nastanejo zaradi nepravilne uporabe, zlorabe ali normalne obrabe. V primeru pritožbe pošljite nerazstavljeno električno orodje skupaj z GARANCIJSKIM CERTIFIKATOM, ki ga najdete na koncu teh navodil za uporabo, na pooblaščen servisni center HiKOKI.

Informacije o hrupu in vibracijah

Izmerjene vrednosti so bile določene glede na EN62841 in navedene v skladu z ISO 4871.

A tipično vrednoten nivo jakosti hrupa: 107 dB (A)

A tipično vrednoten nivo zvočnega tlaka: 96 dB (A)

Nezanesljivost K: 3 dB (A).

Obvezna uporaba glušnikov.

Skupna vrednost vibracij (vsota vektorja triax) je v skladu s standardom EN62841.

Vrednost emisije vibracij: 15,5 m/s²

Nezanesljivost K = 1,5 m/s²

Deklarirana skupna vrednost tresljajev in deklarirana vrednost emisij hrupa sta bili izmerjeni v skladu s standardno testno metodo in se lahko uporabita za primerjavo enega orodja z drugim.

Prav tako se lahko uporabita pri preliminarni oceni izpostavljenosti.

OPOZORILO

- Tresljaji in emisije hrupa med dejansko uporabo električnega orodja se lahko razlikujejo od deklarirane skupne vrednosti v odvisnosti od načinov uporabe orodja, zlasti vrste obdelovanca; in
- Prepoznajte varnostne ukrepe za zaščito uporabnika, ki temeljijo na oceni izpostavljanja v dejanskih pogojih uporabe (z upoštevanjem vseh delov obratovalnega ciklusa, kot so obdobja, ko je orodje izključeno, in ko orodje teče v prostem teku dodatno k času zagona).

OPOMBA

Zaradi HiKOKIJEVEGA nenehnega programa raziskav in razvoja se specifikacije lahko spremenijo brez vnaprejšnjega obvestila.

VŠEOBECNÉ BEZPEČNOSTNÉ VÝSTRAHY PRE ELEKTRICKÉ NÁRADIE

⚠ VÝSTRAHA

Prečítajte si všetky bezpečnostné varovania, pokyny, ilustrácie a technické parametre, ktoré boli dodané s týmto elektrickým náradím.

Nedodržanie výstrah a pokynov môže viesť k zasiahnutiu elektrickým prúdom, požiaru a/alebo vážnemu poraneniu.

Všetky výstrahy a pokyny uschovajte pre možnú potrebu v budúcnosti.

Výraz „elektrické náradie“, ktorý je uvedený na výstrahách, označuje vaše elektrické náradie napájané zo siete (so sieťovým káblom) alebo náradie napájané akumulátorom (bez sieťového kábla).

1) Bezpečnosť na pracovisku

- a) Svoje pracovisko udržiavajte čisté a dobre osvetlené.

Neporiadok a tmavé plochy zvyšujú pravdepodobnosť úrazov.

- b) Elektrické náradie nepoužívajte vo výbušnom prostredí, ako napríklad v prítomnosti horľavých kvapalín, plynov alebo prachu.

Elektrické náradie vytvára iskry, ktoré môžu zapáliť prach alebo výpary.

- c) Počas práce s elektrickým náradím by sa mali okolostojaci a deti zdržiavať mimo elektrického náradia.

Odvedenie pozornosti môže spôsobiť neschopnosť ovládania náradia.

2) Elektrická bezpečnosť

- a) Zástrčka elektrického náradia musí vyhovovať sieťovej zásuvke. Zástrčku nikdy a žiadnym spôsobom neupravujte. V spojení s uzemneným elektrickým náradím nepoužívajte žiadne rozbočovacie zásuvky.

Neupravované zástrčky a správne vyhovujúce zásuvky znižujú riziko zasiahnutia elektrickým prúdom.

- b) Zabráňte telesnému kontaktu s uzemnenými povrchmi, akými sú trubky, radiátory, sporáky a chladničky.

Existuje zvýšené riziko zasiahnutia elektrickým prúdom v prípade, ak je vaše telo uzemnené.

- c) Elektrické náradie nevystavujte účinkom dažďa alebo mokrého prostredia.

Pri vniknutí vody do elektrického náradia sa zvyšuje riziko zasiahnutia elektrickým prúdom.

- d) Kábel nepoužívajte nesprávnym spôsobom. Kábel nikdy nepoužívajte na prenášanie, ťahanie a náradie neodpájajte od prívodu energie ťahaním za kábel.

Kábel chráňte pred teplom, olejom, ostrými hranami alebo pohybujúcimi sa časťami.

Poškodené alebo zamotané káble zvyšujú riziko zasiahnutia elektrickým prúdom.

- e) Pri používaní elektrického náradia vonku používajte predlžovací kábel vhodný na použitie vonku.

Používanie kábla vhodného na používanie vonku znižuje riziko zasiahnutia elektrickým prúdom.

- f) V prípade, ak je nevyhnutné používať elektrické náradie vo vlhkom prostredí, používajte prívod elektrického prúdu chránený zariadením pre zvyškový prúd (RCD).

Používanie RCD znižuje riziko zasiahnutia elektrickým prúdom.

3) Osobná bezpečnosť

- a) Pri používaní elektrického náradia zostaňte pozorný, sústreďte sa na vykonávanú prácu a používajte všetky zmysly.

Elektrické náradie nepoužívajte ak ste unavený, alebo ste pod vplyvom drog, alkoholu alebo liekov.

Chvíľka nepozornosti počas práce s elektrickým náradím môže spôsobiť vážne osobné poranenie.

- b) Používajte osobné ochranné pracovné prostriedky. Vždy si nasadte ochranu na oči.

Ochranné prostriedky, akými sú protiprachová maska, protišmykové bezpečnostné topánky, ochranná prilba alebo chrániče sluchu, ktoré sa používajú pre patričné podmienky, znižujú vznik osobných poranení.

- c) Zabráňte neúmyselnému spusteniu. Pred pripojením k sieťovému zdroju a/alebo akumulátoru, uchopením alebo prenášaním náradia sa uistite, že vypínač je vo vypnutej polohe.

Prenášanie náradia s prstom na vypínači alebo aktivovanie náradia elektrickým prúdom, keď je spínač v zapnutej polohe, prívolaáva úrazy.

- d) Pred zapnutím z elektrického náradia odstráňte všetky nastavovacie kľúče alebo skrutkovače.

Skrutkovač alebo kľúč, ktorý zostal pripojený k otáčajúcej sa časti elektrického náradia môže spôsobiť osobné poranenie.

- e) Nepredkláňajte sa. Vždy si zachovajte správnu rovnováhu a zabezpečte správny postoj.

Toto umožní lepšie ovládanie elektrického náradia v neočakávaných situáciách.

- f) Vhodne sa oblečte. Pri práci nenoste voľný odev alebo šperky. Udržujte svoje vlasy a oblečenie v dostatočnej vzdialenosti od pohybujúcich sa častí.

Voľné oblečenie, šperky alebo dlhé vlasy sa môžu zachytiť do pohyblivých častí.

- g) Ak je zariadenie vybavené na pripojenie vysávača alebo vrečka na zachytávanie prachu, pripojte ich k náradia a pri práci ich správne používajte.

Použitie zariadení na zachytávanie prachu môže znížiť riziká spôsobené prachom.

- h) Nedovoľte, aby ste sa vďaka skúsenostiam získaným častým používaním náradí stali príliš sebaistými a ignorovali zásady bezpečnosti.

Neopatrné zaobchádzanie môže spôsobiť vážne zranenie v zlomku sekundy.

4) Používanie a starostlivosť o elektrické náradie

- a) Elektrické náradie nepreťažujte. Na prácu používajte vždy náradie, ktoré je na ňu určené. Správne elektrické náradie vykoná prácu, na ktorú je určené lepšie a bezpečnejšie.

- b) Náradie s poškodeným vypínačom, ktorý sa nedá zapnúť alebo vypnúť, nepoužívajte.

Akkoľvek náradie, ktoré nemôže byť ovládané vypínačom je nebezpečné a musí sa opraviť.

- c) Predtým, ako vykonáte akékoľvek úpravy, výmenu príslušenstva alebo skôr, než elektrické náradie odložíte, odpojte ho od zdroja napájania a/alebo odpojte akumulátor, pokiaľ je odnímateľný.

Tieto preventívne bezpečnostné opatrenia znižujú riziko náhodného spustenia elektrického náradia.

- d) Nečinné elektrické náradie skladujte mimo dosahu detí a nedovoľte, aby toto elektrické náradie obsluhovali osoby, ktoré nie sú oboznámené s elektrickým náradím alebo s týmto návodom.

V rukách neškolených osôb je elektrické náradie nebezpečné.

e) **Vykonávajte údržbu elektrického náradia a príslušenstva.** Skontrolujte nesprávne centrovanie alebo zablokovanie pohyblivých častí, poškodenie častí, alebo akékoľvek iné okolnosti, ktoré by mohli ovplyvniť činnosť elektrického náradia. V prípade poškodenia musíte dať elektrické náradie pred ďalším použitím opraviť.

Mnohé nehody sú spôsobené práve nesprávnou udržiavaným elektrickým náradím.

f) **Rezný nástroj udržiavajte ostrý a čistý.**

Správne udržiavaný rezný nástroj s ostrými brítmí je menej náchylný na zablokovanie a je ľahšie ovládateľný.

g) **Elektrické náradie, príslušenstvo, britý náradia atď. používajte v súlade s týmito pokynmi a berte do úvahy pracovné podmienky a charakter vykonávanej práce.**

Používanie elektrického náradia na iné, než určené činnosti môže viesť k vzniku nebezpečných situácií.

h) **Rukoväte a uchopovacie povrchy uchovávajte v suchu, čistote a neznečistené olejmi a mazivom. Klzké rukoväte a uchopovacie povrchy neumožňujú bezpečnú manipuláciu a ovládanie náradia v neočakávaných situáciách.**

5) **Starostlivosť a používanie akumulátorového náradia**

a) **Nabíjajte len nabíjačkou, ktorú uvádza výrobca.** Nabíjačka, ktorá je vhodná pre jeden typ akumulátora, môže predstavovať riziko, ak sa použije na nabíjanie iného typu akumulátora.

b) **Elektrické náradie používajte len so špecificky určeným typom akumulátorov.**

Používanie iného typu akumulátora môže predstavovať riziko poranenia a požiaru.

c) **Ak sa akumulátor nepoužíva, chráňte ho pred kontaktom s kovovými predmetmi, ako sú kancelárske spony, mince, kľúče, klinec, skrutky alebo iné malé kovové predmety, ktoré môžu spôsobiť vzájomné prepojenie koncoviek. Vzájomné skratovanie koncoviek akumulátora môže mať za následok popálenie alebo požiar.**

d) **Pri nesprávnych podmienkach používania môže dôjsť k unikaniu kvapaliny z akumulátora. Vyhnite sa kontaktu s touto kvapalinou. V prípade náhodného kontaktu zasiahnuté miesto opláchnite vodou. Ak kvapalina zasiahne oči, opláchnite ich vodou a vyhľadajte lekársku pomoc.**

Kvapalina unikajúca z akumulátora môže spôsobiť podráždenie alebo popálenie.

e) **Nepoužívajte akumulátor alebo nástroj, ktorý je poškodený alebo upravený.**

Poškodené alebo modifikované batérie môžu vykazovať nepredvídateľné správanie, ktoré má za následok požiar, explóziu alebo riziko zranenia.

f) **Nevystavujte akumulátor ani nástroj ohňu alebo nadmernej teplote.**

Vystavenie ohňu alebo teploty nad 130°C môže spôsobiť výbuch.

g) **Dodržujte všetky pokyny na nabíjanie a nenabíjajte akumulátor ani nástroj mimo rozsahu teplôt uvedeného v návode.**

Nesprávne nabíjanie alebo nabíjanie pri teplotách mimo určeného rozsahu môže poškodiť batériu a zvýšiť riziko požiaru.

6) **Servis**

a) **Servis na svojom elektrickom náradí nechajte vykonávať len kvalifikovaným personálom a pri použití jedine originálnych náhradných dielov.**

Tým sa zabezpečí zachovanie bezpečnosti elektrického náradia.

b) **Nikdy neopravujte poškodené batérie.**

Servis akumulátorov by mal vykonávať iba výrobca alebo autorizovaní poskytovatelia služieb.

BEZPEČNOSTNÉ OPATRENIA

Zabráňte prístupu detí a nezainteresovaných osôb. Keď náradie nepoužívate, mali by ste ho uložiť mimo dosahu detí a nezainteresovaných osôb.

BEZPEČNOSTNÉ VÝSTRAHY TÝKAJÚCE SA AKUMULÁTOROVÉHO AUTOMATICKÉHO PNEUMATICKÉHO KLADIVA

- Vždy predpokladajte, že náradie obsahuje klinec.**
Nedbalé zaobchádzanie s automatickým pneumatickým kladivom môže viesť k neočakávanému vystreleniu klinecova a zraneniu osôb.
- Nemerte s náradím na seba ani na nikoho iného v blízkosti.**
Neočakávané spustenie vystrelí klinec a spôsobí zranenie.
- Neuvádzajte náradie do činnosti, pokiaľ nie je pevne umiestnené oproti obrobku.**
Ak náradie nie je v kontakte s obrobkom, klinec sa môže odkloniť od požadovaného cieľa.
- Keď sa klinec zasekne v náradí, odpojte náradie od zdroja napájania.**
Počas odstraňovania zaseknutého klineca sa môže automatické pneumatické kladivo náhodne aktivovať, ak je pripojená k napájaniu.
- Nepoužívajte toto automatické pneumatické kladivo na upevňovanie elektrických káblov.**
Nie je určená na inštaláciu elektrických káblov a môže poškodiť elektrický izoláciu káblov, čím zapríčini riziko zasiahnutia elektrickým prúdom alebo vzniku požiaru.
- Nasadte si chrániče sluchu**
Prílišné vystavenie hluku môže spôsobiť stratu sluchu.
- Používajte pomocnú rukoväť (rukoväte), ak sú dodané s nástrojom.**
Strata ovládania môže spôsobiť poranenie osôb.
- Elektrické náradie držte za izolované povrchy na uchopenie, keď vykonávate činnosť, pri ktorej sa môže dostať upínací prvok do kontaktu so skrytou kabeľazou.**
Pri kontakte upínacích prvkov so „živým“ vodičom sa môžu kovové časti elektrického nástroja dostať „pod napätie“ a mohli by operátorovi spôsobiť zasiahnutie elektrickým prúdom.

DODATOČNÉ BEZPEČNOSTNÉ VÝSTRAHY

- Počas prevádzky nástroj pevne držte.**
Nedodržanie tohto pokynu môže viesť k nehodám alebo poraneniam. (Obr. 12)
- Bezpečná obsluha prostredníctvom správneho použitia.**
Toto náradie bolo skonštruované na zavádzanie klinecova do dreva a podobných materiálov. Používajte ho len na určený účel.
- Dávajte pozor na vznietenie a výbuchy.**
Keďže počas klinecovania môžu lietať iskry, je nebezpečné používať toto náradie blízko laku, farby, technického benzínu, riedidla, benzínu, plynu, lepidla a podobných horľavých látok, keďže sa môžu vznietiť alebo vybuchnúť. Za žiadnych okolností by sa toto náradie nemalo používať v blízkosti takéhoto horľavého materiálu.

4. Vždy používajte ochranu zraku (ochranné okuliare).



Pri obsluhu elektrického náradia vždy používajte ochranu zraku a zabezpečte, aby aj osoby v blízkom okolí používali ochranu zraku.

Možnosť vniknutia úlomkov klinecov, ktoré neboli zasiahnuté správnym spôsobom, do oka, predstavuje hrozbu poškodenia zraku. Ochranu zraku je možné zakúpiť v ktoromkoľvek železiarstve. Počas obsluhy tohto náradia vždy používajte ochranu zraku. Používajte ochranu zraku alebo širokú masku s prierezom nasadenú na dioptrické okuliare. Zamestnávateľia by mali vždy presadzovať používanie prostriedkov na ochranu zraku.

5. Chráňte svoj sluch a svoju hlavu.

Keď ste zapojení do práce spojenej s klinecovaním, používajte chrániče sluchu a ochranu hlavy. Taktiež v závislosti od situácie zabezpečte, aby aj osoby v blízkom okolí používali chrániče sluchu a ochranu hlavy.

6. Venujte pozornosť tým, ktorí pracujú blízko vás.

Bolo by veľmi nebezpečné, keby klinec, ktoré neboli správne zavedené do materiálu, zasiahli nie osoby. Preto pri používaní tohto náradia vždy venujte pozornosť bezpečnosti osôb okolo vás. Vždy sa uistite, že sa v blízkosti výstupu klinecov nenachádzajú čisti tela, ruky ani chodidlá žiadnej osoby.

7. Nikdy nemierte výstupom klinecov na ľudí.



Vždy predpokladajte, že náradie obsahuje upevňovacie prvky.

Ak sa výstup klinecov nasmeruje na ľudí, môže dôjsť k vážnym nehodám, ak omylom vystrelíte klinec z náradia. Pri pripájaní a odpájaní batérie, počas ukladania klinecov do zásobníka alebo podobných úkonov sa uistite, že nie je výstup klinecov nasmerovaný na žiadnu osobu (ani na vás). Dokonca aj vtedy, keď nie sú do zásobníka vložené žiadne klinec, je nebezpečné uvádzať náradie do činnosti počas jeho nasmerovania na nejakú osobu, takže sa nikdy nepokúšajte o takéto konanie. Žiadne hlúposti. Náradie považujte za pracovný nástroj.

8. Pred použitím skontrolujte tyčový hrot.

Uistite sa, že tyčový hrot funguje správne. Nikdy nepoužívajte automatické pneumatické kladivo, pokiaľ tyčový hrot nefunguje správne, v opačnom prípade by automatické pneumatické kladivo neočakávane vystrelil klinec. Nezasahujte do tyčového hrotu ani ho neodstraňujte, inak sa stane nefunkčným.

9. Používajte len určené klinec.

Nikdy nepoužívajte iné klinec ako tie, ktoré sú uvedené a popísané v tomto návode.

10. Buďte opatrní pri pripájaní batérie.

Aby pri pripájaní klinecov a vkladaní klinecov nedošlo k spusteniu náradia omylom, overte nasledovné.

- Nedotýkajte sa spúšte.
- Dbajte na to, aby sa vystrel'ovacia hlava nedostala do kontaktu so žiadnym povrchom.
- Uchovávajte vystrel'ovaciú hlavu nasmerovanú dole. Prísne dodržiavajte vyššie uvedené pokyny, pričom vždy dbajte na to, aby sa žiadna časť tela, rúk ani nôh nenachádzala pred výstupom klinecov.

11. Neumiestňujte nedbalo prst na spúšť.

Neumiestňujte prst na spúšť okrem prípadu, keď skutočne klicujete. Ak nesiete toto náradie alebo ho niekomu podávate, pričom máte prst na spúšti, môžete neúmyselne vystreliť klinec a tým spôsobiť nehodu.

12. Pevne pritlačte výstup klinecov k materiálu, ktorý sa má klinecovať.

Pri zavádzaní klinecov do materiálu pevne pritlačte výstup klinecov k materiálu, ktorý sa má klinecovať. Ak sa výstup nepriloží správne, klinec sa môžu odraziť.

13. Nepribližujte sa rukami a chodidlami k vystrel'ovacej hlave, keď sa používa.



Je veľmi nebezpečné, ak klinec omylom zasiahne ruky alebo chodidlá.

14. Vezmite na vedomie spätný ráz náradia.

Nepribližujte sa k hornej časti náradia hlavou atď. počas činnosti. Je to nebezpečné, pretože náradie sa môže prudko odraziť, ak aktuálne zavádzajú klinec príde do kontaktu s predchádzajúcim klincom alebo hrčou v dreve.

15. Dávajte pozor pri klinecovaní tenkých dosiek alebo rohov dreva.

Pri klinecovaní tenkých dosiek môžu klinec prejsť cez materiál, čo sa môže stať aj pri klinecovaní rohov dreva kvôli odchyľke klinecov. V takýchto prípadoch sa vždy uistite, že sa nikto (ani ruky či chodidlá žiadnej osoby; atď.) nenachádza za tenkou doskou alebo vedľa dreva, ktoré sa chystáte klinecovať.

16. Súčasné klinecovanie na oboch stranách rovnej steny je nebezpečné.

Za žiadnych okolností by sa nemalo vykonávať klinecovanie na oboch stranách steny súčasne. Bolo by to veľmi nebezpečné, keďže klinec by mohli prejsť cez stenu a spôsobiť tak zranenia.

17. Nepoužívajte elektrické náradie na lešeniach, rebričkoch.

Toto elektrické náradie sa nesmie používať na špecifické aplikácie, ako sú napríklad:

- keď sa zmena miesta klinecovania na iné miesto spája s použitím lešení, schodov, rebričkov alebo konštrukcií podobných rebričkom, napr. strešné laty,
- uzatváracie debny alebo prepravky,
- montáž prepravných bezpečnostných systémov napr. na vozidlách alebo vagónoch

18. Odstráňte všetky zvyšné klinec a batériu z automatického pneumatického kladiva, keď:

- 1) sa vykonáva údržba a kontrola;
- 2) sa kontroluje správna činnosť tyčového hrotu a spúšte;
- 3) sa odstraňuje zaseknutie;
- 4) sa náradie nepoužíva;
- 5) opúšťate pracovisko;
- 6) sa náradie premiestňuje na iné miesto; a
- 7) sa náradie odovzdáva inej osobe.

Nikdy sa nepokúšajte odstrániť zaseknutie alebo opraviť automatické pneumatické kladivo, pokiaľ ste neodstránili batériu a všetky zvyšné klinec z automatického pneumatického kladiva.

Automatické pneumatické kladivo by sa nikdy nechával bez dozoru, keďže osoby, ktoré nie sú oboznámené s automatickým pneumatickým kladivom, by s ňou mohli manipulovať a zraniť sa.

19. Pri čistení elektrického náradia nepoužívajte benzín ani iné horľavé kvapaliny.

Ak sa výpary z horľavej kvapaliny dostanú do elektrického náradia, hrozí nebezpečenstvo, že iskry vytvárané pri zošívaní atď. môžu spôsobiť výbuch.

20. Prevádzkové prostredie pre toto zariadenie je od 0°C do 40°C, takže zabezpečte jeho použitie v rámci tohto rozsahu teploty. Činnosť zariadenia môže zlyhať pri teplote nižšej ako 0°C alebo vyššej ako 40°C.

21. Dbajte na to, aby sa magnety (alebo podobné magnetické zariadenia) NIKDY nepriblížili k automatickému pneumatickému kladivu, pretože automatické pneumatické kladivo má vnútri magnet.

Takéto konanie spôsobí poruchu alebo riziko zranenia vyplývajúce z poruchy.

22. Zariadenie nechajte po nepretržitej prevádzke odpočinúť.
23. Elektrické náradie je vybavené teplotným ochranným obvodom na ochranu motora. Nepretržitý chod zariadenia môže spôsobiť, že sa jeho teplota zvýši, pričom sa aktivuje teplotný ochranný obvod a činnosť sa automaticky zastaví. Ak sa tak stane, nechajte elektrické náradie pred opätovným použitím vychladnúť.
24. Tento výrobok môže prestať pracovať, keď sa zistí výkyb nezvyčajný jav.
25. Nepozerajte sa priamo do svetla. Takéto úkony môžu viesť k zraneniu očí.
Utrite všetky nečistoty alebo špinu prilepenú k šošovke LED svetla jemnou handričkou, pričom dávajte pozor, aby ste šošovku nepoškriabali.
Škrabance na šošovke LED svetla môžu spôsobiť zníženie jasú.

BEZPEČNOSTNÉ OPATRENIA PRE BATÉRIU A NABÍJAČKU

- Batériu nabíjajte pri okolitej teplote od 0°C do 40°C.**
Teplota, ktorá je nižšia ako 0°C bude viesť k prebitiu, ktoré je nebezpečné. Batériu nesmiete nabíjať pri teplote, ktorá je vyššia ako 40°C.
Najvhodnejšia teplota na nabíjanie je 20 – 25°C.
- Nabíjačku nepoužívajte nepretržite.**
Po dokončení nabíjania nechajte nabíjačku pred ďalším nabíjaním batérie približne 15 minút odpočívať.
- Nedovoľte, aby sa do otvoru na pripojenie nabíjateľnej batérie dostali akékoľvek cudzie telesá.**
- Nabíjateľnú batériu alebo nabíjačku nikdy nerozoberajte.**
- Nabíjateľnú batériu nikdy neskratujte.**
Skratovanie batérie bude viesť k vysokému elektrickému prúdu a prehriatiu. Následkom bude spálenie alebo poškodenie batérie.
- Batériu neháďte do ohňa.**
Ak sa batéria páli, môže explodovať.
- Používanie vybitých batérie poškodí nabíjačku.**
- Ak je životnosť ďalšieho nabíjania príliš krátka na praktické použitie, odneste batériu do predajne, v ktorej ste ju zakúpili.**
Vyčerpanú batériu nelikvidujte.
- Do ventilačných otvorov na nabíjačke nevkładajte žiadne predmety.**
Ak do ventilačných otvorov vložíte kovové predmety alebo horľavé materiály, bude to viesť k nebezpečenstvu poranenia elektrickým prúdom alebo sa poškodí nabíjačka.

UPOZORNENIE OHLADNE LÍTIUM-IÓNOVÝCH AKUMULÁTOROV

Kvôli predĺženiu životnosti je lítium-iónový akumulátor vybavený ochrannou funkciou, ktorá preruší výkon.

V dolu uvedených prípadoch 1 až 3 sa motor počas používania výrobku zastaví, aj keď potiahnete vypínač. Nejde o chybu ale o aktivovanie ochrannej funkcie.

- Keď sa zostávajúca kapacita akumulátora spotrebuje, motor sa zastaví.
V takomto prípade ho ihneď nabite.
- Motor sa môže zastaviť v prípade preťaženia náradia. V takomto prípade uvoľnite vypínač náradia a odstráňte príčinu preťaženia. Následne ho budete môcť opäť použiť.

- Ak pri preťažení dôjde k prehrievaniu akumulátora, výkon akumulátora sa môže zastaviť.

V takomto prípade prestaňte akumulátor používať a nechajte ho vychladnúť. Následne ho budete môcť opäť použiť.

Okrem toho, berte na zreteľ nasledujúce výstrahy a upozornenia.

VÝSTRAHA

Aby ste zabránili vytečeniu kvapaliny z akumulátora, generovaniu tepla, unikaniu dymu, výbuchu a vznieteniu, dodržiavajte nasledujúce bezpečnostné opatrenia.

- Zabráňte, aby sa na akumulátore zachytávali kovové piliny a prach.
- Zabráňte, aby počas práce padali na akumulátor kovové piliny a prach.
- Zabezpečte, aby sa kovové piliny a prach spadnúvšie počas vykonávania práce na elektrické náradie nehromadili na akumulátore.
- Nepoužívaný akumulátor neskladujte na mieste s výskytom kovových pilín a prachu.
- Pred uskladnením akumulátora odstráňte z neho kovové piliny a prach, ktoré sa mohli na ňom zachytiť a neskladujte ho spolu s kovovými súčastami (skrutky, kľince a pod.).
- Akumulátor neprepichujte ostrým predmetom, ako je kľiniec, neudierajte po ňom kladivom, nestúpaite naň, neháďte ním ani ho nevystavujte silným fyzickým nárazom.
- Očividne poškodený alebo zdeformovaný akumulátor nepoužívajte.
- Akumulátor nepoužívajte s vymenenou polaritou.
- Nepripájajte priamo k elektrickej zásuvke ani k zásuvke autozapalovača.
- Akumulátor nepoužívajte na iné ako uvedené účely.
- Ak sa akumulátor nenabije ani po uplynutí doby na nabíjanie, okamžite prestaňte s ďalším nabíjaním.
- Akumulátor nevystavujte účinkom vysokých teplôt ani veľkého tlaku, ani ho nevkładajte do mikrovlnnej rúry, sušičky alebo vysokotlakovej nádoby.
- Chráňte pred ohňom akonáhle dôjde k unikaniu tekutiny, alebo ak zadecite odporný zápach.
- Nepoužívajte na miestach, kde dochádza ku generovaniu silnej statickej elektriny.
- Ak počas používania, nabíjania alebo skladovania dochádza k unikaniu tekutiny z akumulátora, cítite odporný zápach, dochádza ku generovaniu tepla, zmene farby, deformáciám alebo k čomukoľvek neštandardnému, okamžite akumulátor vyberte z náradia alebo z nabíjačky a prestaňte používať.
- Batériu neponárajte ani nedovoľte, aby sa do nej dostali akékoľvek kvapaliny. Vniknutie vodivej kvapaliny, ako je napríklad voda, môže spôsobiť poškodenie, ktoré môže spôsobiť požiar alebo výbuch. Batériu skladujte na chladnom, suchom mieste, mimo výbušných a horľavých predmetov. Musíte sa vyhnúť prostrediam s korozívnymi plynmi.

UPOZORNENIE

- Ak sa tekutina unikajúca z akumulátora dostane do očí, oči si nešúchajte a dôkladne si ich vypláchnite čerstvou čistou vodou, ako je pitná voda z vodovodu a okamžite vyhľadajte lekársku pomoc.
Ak nevyhľadáte ošetrovanie, tekutina môže spôsobiť problémy zraku.
- Ak sa tekutina dostane na kožu alebo odev, okamžite dôkladne umyte alebo očistite čistou vodou, ako je pitná voda z vodovodu.
Existuje možnosť, že môže dôjsť k podráždeniu pokožky.
- Ak pri prvotnom používaní akumulátora zistíte výskyt hrdze, odporný zápach, prehrievanie, stratu farby, deformácie a/alebo iné nezrovnalosti, akumulátor nepoužívajte a vráťte ho predajcovi alebo dodávateľovi.

Slovenčina

VÝSTRAHA

Ak sa do svorky lítium-iónovej batérie dostane cudzia vodivá látka, môže dôjsť k skratu batérie, čo spôsobí vznik požiaru. Pri uskladňovaní lítium-iónovej batérie určite dodržiavajte nasledujúce pravidlá.

- Do skladovacej skrinky nekladajte vodivé odrezky, klince a drôty, ako sú napríklad železný drôt a medený drôt.
- Aby nedošlo k skratu, vložte batériu do náradia alebo pevne založte kryt batérie kvôli uskladneniu, až kým nevidíte ventilátor (Obr. 2).

14	Hrot klinca
15	Magnet
16	Magnetizovaná oblasť
17	Klinec
18	Klincovacia jednotka
19	Kovový spoj
20	Otvor
21	Skrutka
22	Drážka
23	Kliešte

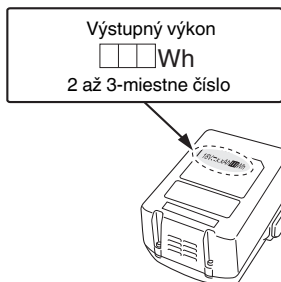
PREPRAVA TÝKAJÚCA SA LÍTIOVO-IÓNOVÝCH BATÉRIÍ

Pri preprave lítiovo-iónovej batérie dodržiavajte nasledovné opatrenia.

VÝSTRAHA

Pri organizovaní prepravy ohláste prepravnej spoločnosti, že balenie obsahuje lítiovo-iónovú batériu, informujte ju o výstupnom výkone a postupujte podľa pokynov prepravnej spoločnosti.

- Lítium-iónové batérie, ktoré prekračujú výkon 100 Wh, sú pri transporte označené ako nebezpečný tovar, ktorý vyžaduje špeciálne aplikačné postupy.
- Pri preprave do zahraničia musíte vyhovieť medzinárodným zákonom, pravidlám a predpisom cieľovej krajiny.



SYMBOLY

VÝSTRAHA

Nižšie sú zobrazené symboly, ktoré sa v prípade strojného zariadenia používajú. Pred použitím náradia sa oboznámte s významom týchto symbolov.

	NH18DSL: Akumulátorové automatické pneumické kladivo
	Aby sa znížilo riziko zranenia, musí si užívateľ prečítať návod na obsluhu.
	Operátori a ostatné osoby na pracovisku musia používať ochranné okuliare s bočnými štítni.
	Nikdy nemierte náradím na seba ani na ostatné osoby na pracovisku.
	Odpojte akumulátor
	Nepoužívajte na lešeníach, rebríkoch.
	Iba pre krajiny EÚ Elektrické náradie nezneškodňujte spolu s komunálnym odpadom z domácností! Aby ste dodržali ustanovenia európskej smernice 2012/19/EÚ o odpadových elektrických a elektronických zariadeniach a jej implementáciu v zmysle národnej legislatívy, je potrebné elektrické zariadenie po uplynutí jeho doby životnosti separovať a doručiť na environmentálne prijateľné miesto recyklovania.
	Jednosmerný prúd
	Hmotnosť (v súlade s postupom EPTA 01/2014)
	Zapnutie
	Vypnutie
	Výstraha
	Zakázaná činnosť

NÁZVY DIELOV (Obr. 1 – Obr. 12)

①	Vystreľovacia hlava (výstup)
②	Tyčový hrot
③	LED kontrolka
④	Spúšť
⑤	Háčik
⑥	Batéria
⑦	Západka
⑧	Kryt batérie
⑨	Svorky
⑩	Vetracie otvory
⑪	Nabíjačka
⑫	Hlava klinca
⑬	Driek klinca

ŠPECIFIKÁCIE

1. Akumulátorové automatické pneumatiké kladivo

Model	NH18DSL
Napätie	18 V
Počet výstrelov	4000 min ⁻¹
Použitelný klíнец	ø1,7 – 4,1 mm (Pozrite Tabuľku 1)*1
Použitelná dĺžka klinca	25 mm do 90 mm*1
Hmotnosť*2	1,3 – 1,9 kg
Rozmer Výška x Dĺžka	135 mm x 285 mm (BSL1815)

*1: Protichodne pôsobiace drevo: SPF, Céder

Zariadenie nemusí byť schopné úplne zaviesť klíнец do tvrdých materiálov, ako sú jedľovec kanadský, drevovláknitá doska MDF alebo laminátové rezivo.

*2: Hmotnosť: podľa postupu EPTA 01/2014. V závislosti od pripojenej batérie. Najťažšia váha sa meria pomocou BSL36B18 (predáva sa samostatne).

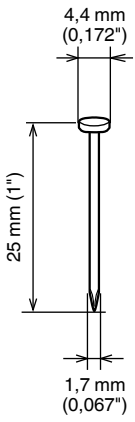
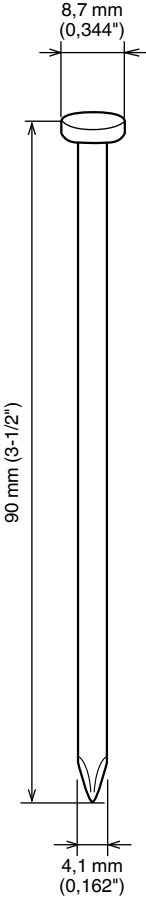
POZNÁMKA

Vzhľadom na pokračujúci program výskumu a vývoja v spoločnosti HiKOKI podliehajú technické údaje uvedené v tomto dokumente zmenám bez predchádzajúceho upozornenia.

VÝBER KLINCOV

Pre automatické pneumatické kladivo používajte klince s nasledujúcimi rozmermi.

Tabuľku 1

Min.	Max.
 <p>4,4 mm (0,172")</p> <p>25 mm (1")</p> <p>1,7 mm (0,067")</p>	 <p>8,7 mm (0,344")</p> <p>90 mm (3-1/2")</p> <p>4,1 mm (0,162")</p>

VÝSTRAHA

- Nepoužívajte klince so žiadnymi inými rozmermi. Mohli by poškodiť tyčový hrot alebo by mohli byť vystrelení v šikmom smere.
- Dávajte pozor na rozmer hlavy klinčov. Rozmer hlavy klinčov sa môže meniť od veľkého po malý podľa komerčne dostupných veľkoobjemových súprav klinčov.
- Nepoužívajte kalené klince.

POZNÁMKA

- Zariadenie nemusí byť schopné úplne zaviesť kliniec do tvrdých materiálov, ako sú jedľovec kanadský, drevovláknitá doska MDF alebo laminátové rezivo.

ŠTANDARDNÉ PRÍSLUŠENSTVO

VÝSTRAHA

- Iné príslušenstvo ako to, ktoré je uvedené nižšie, môže viesť k poruche a následným zraneniam.

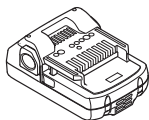
- ① Ochrana zraku.....1



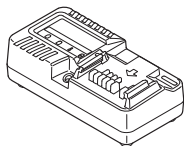
POZNÁMKA: Príslušenstvo podlieha zmenám bez akýchkoľvek záväzkov zo strany spoločnosti HiKOKI.

VOLITEĽNÉ PRÍSLUŠENSTVO (PREDÁVA SA SAMOSTATNE)

1. Batéria
○ BSL1815



2. Nabíjačka
○ UC18YKSL (Nabíjacie napätie: 14,4 V – 18 V)



Voliteľné príslušenstvo podlieha zmenám bez predchádzajúceho oznámenia.

POUŽITIE

- Drevené materiály v rámci všeobecných konštrukcií, spojovacích prvkov, drevených podláh, rámových konštrukcií a renovácií

NABÍJANIE

Batéria a nabíjačka nie sú súčasťou dodávky s týmto výrobkom.

Čo sa týka nabíjateľných batérií, nabíjanie vykonávajte podľa pokynov na zaobchádzanie s nabíjačkou, ktorú používate. (Obr. 5)

MONTÁŽ A OBSLUHA

Činnosť	Obrázok	Strana
Vkladanie a vyberanie batérie	3	2
Prevádzka spínača	4	2
Nabíjanie	5	3
Kontrola činnosti tyčového hrotu*1	6	3
Nastrel'ovanie pri držaní klinca pomocou magnetu*2	7	3
Nastrel'ovanie pri držaní klinca pomocou prstov.*3	8	3
Pripevnenie klinca ku kovovému spoju*4	9	4
Použitie háčika*5	10	4

Odstránenie zaseknutia	11	4
Výber príslušenstva	—	199

*1 VÝSTRAHA

- Vykonať kontrolu, aby ste sa uistili, že sa tyčový hrot pri činnosti posúva plynulo. Vyčistite posuvnú oblasť na tyčovom hrote, ak sa neposúva plynulo.

*2 VÝSTRAHA

- Pri vkladaní klinca do tyčového hrotu držte driek klinca a nie hrot klinca.
- Pri vkladaní klinca do tyčového hrotu dbajte na to, aby nedochádzalo k tlaku na špičku klincovacej jednotky.
- Pri vkladaní klinca do tyčového hrotu neumiestňujte prsty ani ruky pod hrot klinca.

*3 VÝSTRAHA

- Keď nastrel'ujete kliniec, pričom ho držíte prstami, najprv umiestnite hrot klinca na cieľové miesto a potom vložte tyčový hrot na hlavu klinca.

*4 VÝSTRAHA

- Pri nastrel'ovaní klinca sa uistite, že je hrot klinca v otvore kovového spoja.

*5 UPOZORNENIE

- Pri použití háčika pevne zaveste elektrické náradie tak, aby nedošlo k jeho náhodnému pádu. Ak dôjde k pádu elektrického náradia, môže to viesť k nehode.
- Pri použití háčika sa uistite, že je vybratá batéria.
- Bezpečne nainštalujte háčik. Pokiaľ nie je háčik bezpečne nainštalovaný, počas používania môže spôsobiť zranenie.

UPOZORNENIE

Pri nabíjaní klincov pracujte krátky čas a vyhýbajte sa nepretržitej práci. V opačnom prípade môže dôjsť k poruche alebo úniku maziva.

ÚDRŽBA A KONTROLA

UPOZORNENIE

Pred údržbou a kontrolou nezabudnite vybrať batériu z automatického pneumatického kladiva.

VÝSTRAHA

- Odpojte batériu a odstráňte kliniec z automatického pneumatického kladiva, keď:
 - 1) sa vykonáva údržba a kontrola; a
 - 2) odstraňuje sa zaseknutie.
- Bez pripojenia batérie skontrolujte, či sa tyčový hrot pohybuje ustálené prítlačením špičky tyčového hrotu k materiálu, ako je drevo.

1. Odstránenie zaseknutia (Obr. 11)

- ① Vyberte batériu z automatického pneumatického kladiva.
- ② Odstráňte zaseknutý kliniec pomocou klieští.
- ③ V prípade častého zasekávania kontaktujte autorizované servisné stredisko spoločnosti HiKOKI.

2. Kontrola tyčového hrotu (Obr. 6)

Pravidelne čistite a mažte posuvnú časť tyčového hrotu a objímky.

Skontrolujte, či sa tyčový hrot pohybuje plynulo prítlačením automatického pneumatického kladiva k materiálu, ako je drevo.

Keď k magnetizovanej oblasti tyčového hrotu prilieha kovový prášok alebo podobný materiál, schopnosť magnetického pridržiavania klinca sa môže oslabiť. Občas očistite danú oblasť tkaninou alebo lepiacou páskou.

Taktiež občas odstráňte železný prášok z magnetu na vonkajšej časti tyčového hrotu tkaninou alebo lepiacou páskou.

Tým sa dosiahne plynulá činnosť tyčového hrotu.

3. Prehliadka montážnych skrutiek

Pravidelne kontrolujte montážne skrutky a zabezpečte, aby boli vždy správne utiahnuté. Pokiaľ sa niektoré skrutky uvoľnia, okamžite ich utiahnite. Pokiaľ tak neurobíte, môže to mať za následok vážne riziko.

4. Údržba motora

Vinutie jednotky motora je samotným „srdcom“ elektrického náradia.

Aby ste predišli poškodeniu vinutia a/alebo jeho zvlhnutiu od oleja alebo vody, vykonávajte predpísanú povinnú starostlivosť.

5. Čistenie vonkajšej časti

Keď sa elektrické náradie znečistí, utrite ho mäkkou, suchou tkaninou alebo tkaninou navlhčenou v mydlovej vode. Nepoužívajte chlórové rozpúšťadlá, benzín aniriedidlo na farby, pretože rozpúšťajú plasty.

6. Skladovanie

Elektrické náradie a batériu skladujte na miestach s teplotou do 40°C a mimo dosahu detí.

POZNÁMKA

Skladovanie lítiovo-iónových batérií

Pred skladovaním lítiovo-iónových batérií sa presvedčite, že sú úplne nabité.

Dlhodobé skladovanie (3 mesiace alebo viac) batérií s nízkou úrovňou nabitia môže viesť k zhoršeniu výkonu, viditeľnému skráteniu času používania batérií alebo k stavu, že sa batérie rýchlo vybijú.

Viditeľne skrátený čas používania batérií však možno predĺžiť pomocou dvoch až piatich cyklov nabitia a používania batérií až do ich vybitia.

Ak sa čas používania batérie extrémne skráti napriek opakovanému nabíjaniu a používaniu, považujte batérie za úplne vybité a zakúpte nové batérie.

UPOZORNENIE

V rámci prevádzkovania alebo údržby elektrického náradia je nutné dodržiavať bezpečnostné nariadenia a normy platné v patričnej krajine.

Dôležité upozornenie ohľadne akumulátorov pre elektrické akumulátorové náradie značky HiKOKI

Vždy používajte jeden z nami navrhnutých originálnych akumulátorov. Nemôžeme garantovať bezpečnosť a výkon nášho akumulátorového náradia, pokiaľ sa budú používať akumulátory iné, než akumulátory navrhnuté našou spoločnosťou, alebo ak dôjde k rozobratiu alebo úprave akumulátora (ako je rozobratie a výmena článkov alebo iných interných dielov).

ZÁRUKA

Naša spoločnosť garantuje, že elektrické náradie značky HiKOKI vyhovuje zákonným/národným nariadeniam. Táto záruka sa nevzťahuje na chyby alebo poškodenia v dôsledku nesprávneho používania, zlého zaobchádzania alebo štandardného opotrebovania a poškodenia. V prípade reklamácie doručte elektrické náradie v nezrozobratom stave spolu so ZÁRUČNÝM LISTOM, ktorý nájdete na konci tohto návodu na obsluhu autorizovanému servisnému stredisku spoločnosti HiKOKI.

Informácie ohľadne vzduchom prenášaného hluku a vibrácií

Namerané hodnoty boli stanovené podľa normy EN62841 a deklarované podľa ISO 4871.

Nameraná vážená úroveň hladiny akustického výkonu A:

107 dB (A)

Nameraná vážená úroveň hladiny akustického tlaku A:

96 dB (A)

Ochýľka K: 3 dB (A).

Používajte chrániče sluchu.

Výsledné celkové hodnoty pre vibrácie (suma pre trojosový vektor) stanovené podľa EN62841.

Hodnota vibračných emisií: 15,5 m/s²

Ochýľka K = 1,5 m/s²

Deklarovaná hodnota vibrácií a deklarovaná hodnota emisií hluku boli namerané v súlade so štandardnou skúšobnou metódou a môže sa použiť na porovnanie jedného náradia s druhým.

Môžu sa použiť aj na predbežné určenie pôsobenia.

VÝSTRAHA

- Vibrácie a emisia hluku pri skutočnom použití elektrického náradia sa môžu od deklarovanej celkovej hodnoty líšiť v závislosti od spôsobu použitia náradia, najmä od druhu spracovávaného obrobku; a
- Vyznačte bezpečnostné opatrenia s cieľom chrániť obsluhu, ktoré sa zakladajú na odhade expozície v rámci skutočných podmienok používania (berúc do úvahy všetky súčasti prevádzkového cyklu, ako sú doby vypnutia náradia a doby voľnobehu náradia, ktoré sú doplnkom doby spustenia náradia).

POZNÁMKA

Vzhľadom na pokračujúci program výskumu a vývoja v spoločnosti HiKOKI si vyhradzuje právo zmien tu uvedených technických špecifikácií bez predchádzajúceho upozornenia.

ОБЩИ МЕРКИ ЗА БЕЗОПАСНОСТ ПРИ ИЗПОЛЗВАНЕ НА ЕЛЕКТРИЧЕСКИ ИНСТРУМЕНТИ

⚠ ПРЕДУПРЕЖДЕНИЕ

Прочетете всички предупреждения за безопасност, инструкции, илюстрации и спецификации, предоставени с този електрически инструмент. Неспазването на всички инструкции може да доведе до електрически удар, пожар и/или сериозни наранявания.

Запазете и съхранявайте инструкциите за последващи справки и приложение.

Терминът „електрически инструменти“, използван в предупреждението за безопасност, се отнася до електрически инструменти, захранвани (с кабел) от мрежата, или такива с батерии (безжични).

1) Безопасност на работното място

a) Поддържайте работното място подредено и добре осветено.

Неподредени или не добре осветени работни места са предпоставка за инциденти.

b) Не използвайте електрически инструмент във взривоопасна среда, при наличие на запалими течности, газ или прах.

Електрическите инструменти произвеждат искри, които могат да доведат до възпламеняване.

c) Не позволявайте достъп на странични лица и деца при работа с електрически инструменти.

Невнимание по време на работа може да доведе до загуба на контрол върху процеса.

2) Електрическа безопасност

a) Щепселите на електрическите инструменти трябва да отговарят на типа на контактите.

Никога не правете канкито и да било промени по щепселите. Не използвайте преходни щепсели за включване на заземени електрически инструменти.

Щепсели, по които не са правени модификации и съответстват на контактите намаляват риска от електрически удар.

b) При работа с електрически инструменти избягвайте контакт на тялото със заземени повърхности като тръби, радиатори и хладилници.

Съществува повишен риск от електрически удар, ако тялото Ви стане част от заземителния контур.

c) Не излагайте електрическите инструменти на влиянието на влага или дъжд.

Попадането на влага в електрическите инструменти повишава риска от електрически удар.

d) Не нарушавайте целостта на кабелите. Никога не изключвайте електрическите уреди, като издърпвате от кабела.

Пазете кабелите от източници на топлина, от смазочни материали, остри ръбове и подвижни компоненти.

Наранени или преплетени кабели повишават риска от електрически удар.

e) Ногата използват електрически уред на открито, използвайте удължител, подходящ за външни условия на работа.

Използвайте кабел, подходящ за външни условия, който намалява риска от електрически удар.

f) Ако е наложително използването на електрически инструмент във влажни условия, използвайте уреди с диференциална защита (RCD) срещу утечка. Използването на диференциална защита намалява риска от електрически удар.

3) Лична безопасност

a) Бъдете бдителни, внимавайте в действията си и използвайте разумно електрическите инструменти.

Не използвайте електрически инструмент, когато сте изморени, или под влиянието на лекарствени средства, алкохол или опиати.

Всяко невнимание при работа с електрически инструменти може да доведе до сериозни наранявания.

b) Използвайте лични предпазни средства. Винаги носете защитни очила или маска.

Защитните средства, като прахозащитна маска, защитни обувки с антифони, използвани според условията на работа, ще намалят опасността от нараняване.

c) Предотвратяване на случайно включване.

Уверете се, че бутонът за старт на уреда е в изключено положение, преди да свържете електрическия инструмент към източник на захранване и/или батерия, както и преди да го вземете или пренасяте.

Пренасянето на инструменти с пръст на старт бутон, или на превключателя на захранването, носи опасност от инциденти.

d) Отстранете всички работни приставки, преди да включите уреда към захранването. Гаечен ключ или инструмент, забравен в ротационни компоненти на електрическия инструмент, може да доведе до нараняване.

e) Не се пресрягайте. През цялото време трябва да имате стабилна опора и да поддържате баланс на тялото.

Това осигурява по-добър контрол върху електрическите инструменти при неочаквани ситуации.

f) Носете подходящо облекло. Не носете преналено широки дрехи или бижута. Дръжте косата и дрехите си далеч от движещите се части.

Широките дрехи, бижута и дълга коса могат да бъдат захванати от подвижните компоненти.

g) Ако са осигурени устройства за присъединяване към прахоуловителни инсталации, уверете се, че са правилно присъединени.

Използването на прахоуловители и циклонни може да намали свързаните със замърсяването рискове.

h) Не позволявайте опитността ви, придобита от честото използване на инструменти, да ви създаде самочувствие, заради което да игнорирате принципите на безопасност при работа с инструменти.

Невнимателно действие може да доведе до тежки наранявания в рамките на части от секундата.

4) Експлоатация и поддръжка на електрически инструменти

a) Не насилвайте електрическите инструменти. Използвайте подходящ електрически инструмент за съответните цели.

Подходящият електрически инструмент осигурява безопасното и по-добро извършване на работните действия при предвидените номинални параметри.

- b) Не използвайте електрическия инструмент, ако не може да бъде включен или изключен от съответния старт бутон или превключвател.
Всени електрически инструмент, който не може да се контролира от превключвателя, е опасен и подлежи на ремонт.
- c) Изключете щепсела на инструмента от източника на захранване и/или извадете батерииния панел от инструмента, ако той позволява сваляне, преди да извършвате настройки, при смяна на приставки или при съхранение.
Тези предпазни мерки намаляват риска от случайно и нежелано включване на електрическия инструмент.
- d) Съхранявайте неизползваните електрически инструменти далеч от достъп на деца и не позволявайте на лица, непознати с начина на работа с инструментите и тези инструкции, да работят с тях.
Електрическите инструменти представляват опасност в ръцете на неопитни лица.
- e) Поддържайте електроинструментите и аксесоарите. Проверявайте центровната и закрепването на подвижните части, проверявайте за повредени части, които могат да се отразят на работата на електрическите инструменти. Ако установите повреди, отстранете ги преди да използвате електрическите инструменти.
Много злополуки се дължат на лоша поддръжка на електрическите инструменти.
- f) Поддържайте режещите инструменти заточени и чисти.
Правилно поддържаните режещи инструменти, с наточени режещи елементи, се управляват и контролират по-лесно.
- g) Използвайте електрически инструменти, приставки и аксесоари, и т.н., съгласно тези инструкции, нато вземете предвид работните условия и вида работи, които ще се извършват.
Използване на електрическите инструменти за работи, различни от тези, за които са предвидени, може да доведе до повишен риск и опасни ситуации.
- h) Пазете ръкохватките и повърхностите за захващане сухи, чисти, без масло и грес.
Хлъзгавите ръкохватки и повърхности за захващане не позволяват безопасната работа и управление на инструмента в неочаквани ситуации.
- 5) Експлоатация и поддръжка на електрически инструменти захранвани от батерии
- a) Зареджайте уредите само със зарядните устройства, посочени от производителя.
Зарядно устройство, подходящо за един тип батерии, може да създаде риск от пожар при използване за друг тип батерии.
- b) Използвайте електрическите инструменти само с определения за тях тип батерии.
Използването на друг тип батерии създава риск от нараняване и пожар.
- c) Ногато не използвате батериите, те трябва да се съхраняват далеч от други метални предмети нато кламери, монети, ключове, гвоздеи, винтове или други малки метални предмети, които могат да осъществят контакт между клемите им.
Контакт между клемите на батериите може да доведе до искри или пожар.
- d) При неподходящи условия на съхранение, батериите могат да изтечат; избягвайте контакт. Ако случайно влезете в контакт с електролитната течност, изплакнете обилно с вода. Ако попадне електролит в очите, изплакнете обилно и потърсете медицинска помощ.
Електролитът на батериите може да причини възпаление или изгаряния.
- e) Не използвайте батерия или инструмент, които са повредени или модифицирани.
Повредените или модифицирани батерии могат да имат непредвидимо поведение, което да доведе до пожар, експлозия или риск от нараняване.
- f) Не излагайте батерията или инструмента на огън или на прекалено висока температура.
Излагането на огън или на температура над 130°C може да предизвика експлозия.
- g) Следвайте всички инструкции за зареждане и не зареждайте батерията или инструмента извън температурния диапазон, указан в инструкциите.
Неправилното зареждане или зареждане при температури извън определения диапазон може да повреди батерията и да увеличи риска от пожар.
- 6) Обслужване
- a) Обслужването на електрическите инструменти трябва да се извършва само от квалифицирани сервизни работници, при използване на оригинални резервни части.
Това ще гарантира безопасността при работа с електрическите инструменти.
- b) Никога не обслужвайте повредени батерии.
Обслужването на батериите трябва да се извършва само от производителя или от оторизирани доставчици на услуги.

ВНИМАНИЕ

Не допускате в зоната на работа деца и възрастни хора.

Ногато не използвате електрическите инструменти, съхранявайте ги далеч от достъп на деца и възрастни хора.

ПРЕДПАЗНИ МЕРКИ ЗА АКУМУЛАТОРЕН ЧУК ЗА ПИРОНИ

1. Винаги имайте предвид, че в инструмента може да има пирони.
Невнимателната работа с чука за пирони може да доведе до неочаквано изстрелване на пироните и нараняване.
2. Не насочвайте инструмента към себе си или околните.
Ако инструментът се задейства непредвидено, пиронът ще се освободи, причинявайки нараняване.
3. Не задействайте инструмента, ако той не е поставен стабилно върху детайла.
Ако инструментът не е в контакт с детайла, пиронът може да се отклони от целта.
4. Изключете инструмента от източника на захранване, ако пиронът заседне в инструмента.
Ако е включен в захранването, чукът за пирони може да се самозадейства, докато отстранявате заседнал пирон.

5. **Не използвайте този чук за пирони за закрепване на електрически кабели.**
Той не е предназначен за монтаж на електрически кабели и може да повреди изолацията им, създавайки опасност от токов удар или пожар.
6. **Носете антифони.**
Излагането на въздействието на шум може да доведе до загуба на слуха.
7. **Използвайте допълнителната ръкохватка(и), ако са предоставени с уреда.**
Загуба на контрол върху уреда може да доведе до нараняване.
8. **По време на работа дръжте инструмента за изолираната ръкохватка, ако има опасност пиронът да удари скрити проводници.**
Ако пироните влязат в контакт с проводници под напрежение, това може да доведе до протичане на ток през инструмента и токов удар.
7. **Никога не насочвайте изхода за пироните към хора.**



Винаги имайте предвид, че в инструмента може да има пирони. Ако изходът за пироните е насочен към хора, могат да възникнат сериозни инциденти, ако случайно задействате инструмента. Когато свързвате или разкачате батерията, при зареждането на пирони или при подобни действия, се уверете, че изходът за пироните не е насочен към никого (включително към вас самия). Дори когато не са заредени никакви пирони, е опасно да задействате инструмента, докато е насочен към някого, затова никога не го правете. Не си правете шегги. Уважавайте инструмента като работен инструмент.

ДОПЪЛНИТЕЛНИ ПРЕДПАЗНИ МЕРКИ

1. **Уверете се, че имате стабилен захват върху електрическия инструмент по време на работа.**
Нестабилният захват крие рискове от злополуки и нараняване. (Фиг. 12)
2. **Безопасна работа при правилна употреба.**
Този инструмент е предназначен за забиване на пирони в дърво и подобни материали. Използвайте го само по предназначение.
3. **Не допускате запалване и експлозии.**
При забиването на пироните може да излязат искри и затова е опасно инструментът да се използва в близост до лак, боя, бензен, разредител, бензин, газ, лепила и подобни запалими вещества, тъй като те могат да се възпламенят или да експлодират. При никакви обстоятелства този инструмент не трябва да се използва в близост до такъв запалим материал.
4. **Винаги носете предпазни очила.**


Когато работите с електроинструмента, винаги носете предпазни очила и се уверете, че околните хора също носят такива.
Има сериозен риск за зрението, ако фрагменти от пироните, които не са забити правилно, попаднат в очите. Предпазни очила се продават във всички железарии. Винаги носете предпазни очила по време на работа с този инструмент. Използвайте предпазни очила или широка маска над диоптричните очила. Работодателите трябва задължително да налагат използването на предпазни средства за очите винаги.
5. **Защитете ушите и главата си.**
По време на работа носете шумозаглушители и каска. Също така, в зависимост от условията, околните хора също трябва да носят шумозаглушители и каски.
6. **Съобщавайте се с работещите близо до вас.**
Има голяма опасност от сериозен инцидент, ако пиронът не се закове правилно, отхвъркне и удари някого. Затова винаги внимавайте за безопасността на хората около вас, когато използвате този инструмент. Задължително подсигурете да няма никой в близост до изхода за пироните.
8. **Проверете патронника преди употреба.**
Уверете се, че патронникът работи нормално. Никога не използвайте чука за пирони, ако патронникът не работи нормално, защото в противен случай чукуът за пирони може да изстреля пирон неочаквано. Не манипулирайте и не изваждайте патронника, в противен случай той става неизползваем.
9. **Използвайте само посочените пирони.**
Никога не използвайте пирони, различни от посочените в тези инструкции.
10. **Бъдете внимателни, когато свързвате батерията.**
Когато свързвате батерията и зареждате пироните, вземете следните мерки срещу инцидентно задействане на инструмента.
 - Не докосвайте спусъка.
 - Не допускате изстрелващата глава да контактува с която и да е повърхност.
 - Дръжте изстрелващата глава надолу.

Спазвайте строго горните указания и винаги се уверявайте, че никога част от тялото, ръцете или краката не се намира пред изхода за пироните.
11. **Не поставяйте излишно пръст на спусъка.**
Не поставяйте пръста си върху спусъка, ако няма да забивате пирони. Ако носите този инструмент или го подадете на някого, докато държите пръста си на спусъка, може случайно да го задействате и да причините злополука.
12. **Натиснете здраво изхода за пирони към работната повърхност.**
Когато забивате пирони, натиснете здраво изхода за пирони към работната повърхност. Ако изходът не е разположен правилно, пироните може да отскочат.
13. **Пазете ръцете и краката си от изстрелващата глава по време на работа.**


Много е опасно пироните да се забият в ръцете или краката по погрешка.
14. **Пазете се от рикошета на инструментa.**
Не доближавайте главата си до горната част на инструмента по време на работа. Това е опасно, защото инструментът може да рикошира рязко, ако забиваният пирон удари предишен пирон или чвор в дървото.
15. **Бъдете внимателни, когато работите по тънки плоскости или по ъглите на дървото.**
При тънките плоскости пироните могат да излязат от другата страна, както може да се случи и при заковяване на ъглите поради отклонение на пироните. В такива случаи задължително се погрижете да няма никой (и ничии ръце или крака и т.н.) зад тънката плоскост или до дървените детайли, по които работите.

16. Едновременното заковане на пирони от двете страни на една и съща стена е опасно.

При никакви обстоятелства не трябва да се коват пирони от двете страни на стената едновременно. Това би било много опасно, тъй като пироните могат да преминат през стената и да причинят наранявания.

17. Не използвайте електрическият инструмент върху скелета и стълби.

Електрическият инструмент не трябва да се използва в специфични ситуации, например:

- когато смяната на едно работно място с друго изисква използването на скелета, стълби или подобни конструкции, напр. покривни ламели,
- затваряне на кутии или каси,
- монтиране на транспортни системи за безопасност, напр. на превозни средства и вагони

18. Отстранете всички останали пирони и батерията от чука за пирони, когато:

- 1) извършвате поддръжка и проверка;
- 2) проверявате правилното функциониране на патронника и спусъка;
- 3) освобождавате заседнал пирон;
- 4) не използвате инструмента;
- 5) напускате работното място;
- 6) премествате инструмента на друго място; и
- 7) давате инструмента на друго лице.

Никога не се опитвайте да освободите заседнал пирон или да поправите чука за пирони, без да сте извадили от него батерията и всички останали пирони.

Никога не оставяйте чука за пирони без надзор, тъй като може да попадне в ръцете на случайни хора и те да пострадат.

19. При почистване на електрическият инструмент, не използвайте бензин или други запалителни течности.

Ако парата от запалима течност попадне в електроинструмента, съществува опасност искрите, които се получават по време на заковането, да предизвикат експлозия.

20. Работната температура за това устройство е между 0°C и 40°C – да се използва в рамките на този температурен диапазон. Устройството може да не работи при температура под 0°C или над 40°C.

21. НИКОГА не допускате магнити (или подобни магнитни устройства) в непосредствена близост до чука за пирони, защото чук за пирони съдържа магнит.

Това ще доведе до повреда или риск от нараняване поради неизправност.

22. След продължителна работа инструментът следва да бъде оставян в покой за известно време.

23. Електроинструментът е оборудван с верига за температурна защита, за да предпази двигателя. Продължителната работа може да повиши температурата на инструмента, което активира веригата за температурна защита и автоматично пренесва работата. Ако това се случи, оставете инструмента да се охлади, преди да възобновите работата.

24. Този продукт може да престане да работи, когато възникне аномалия.

25. Не гледайте директно в лампата. Това може да доведе до увреждане на очите.

Почистете щателно LED лампата с мека кърпа, като внимавате да не я издраскате.

Ако LED лампата се издраска, ще свети по-слабо.

ПРЕДПАЗНИ МЕРКИ ЗА БАТЕРИЯТА И ЗАРЯДНОТО УСТРОЙСТВО

1. Винаги зареждайте батерията при околна температура от 0–40°C.

Ако температурата е по-ниска от 0°C, това ще доведе до презареждане, което е опасно. Батерията не може да бъде зареждана при температури над 40°C.

Най-подходящата температура за зареждане е 20–25°C.

2. Не използвайте зарядното устройство непрекъснато.

Когато едно зареждане приключи, оставете зарядното устройство за около 15 минути преди следващото зареждане на батерията.

3. Не допускате навлизането на чужди тела в отвора за свързване на акумулаторни батерии.

4. Никога не разглобявайте акумулаторните батерии или зарядното устройство.

5. Никога не давайте на късо акумулаторните батерии.

Късо съединение може да причини голям електрически ток и прегряване. Това може да доведе до повреда на батерията.

6. Не изхвърляйте батерия в огън.

Ако батерията изгори, тя може да експлодира.

7. Използването на изтощена батерия ще повреди зарядното устройство.

8. Върнете батерията в магазина, от който е закупена, веднага след като цинкът на живот на батерията стане прекалено къс, за да се използва.

Не изхвърляйте изтощени батерии.

9. Не поставяйте предмети във вентилационните отвори на зарядното устройство.

Вкарването на метални или запалими предмети във вентилационните отвори ще доведе до опасност от електрически удар или ще повредят зарядното устройство.

ПРЕДУПРЕЖДЕНИЯ ЗА ЛИТИЕВО-ЙОННАТА БАТЕРИЯ

За да удължите живота на литиево-йонната батерия, тя има защитна функция за прекъсване на подаването на заряд.

В случаите 1 до 3, описани по-долу, когато използвате това изделие, дори при натискане на спусъка, моторът може да спре. Това не е в следствие на повреда, а на защитна функция.

1. Когато разрядът на батерията намалее значително, моторът спира.

В такъв случай заредете батерията незабавно.

2. Ако инструментът е бил претоварен, моторът може да спре. В този случай, освободете спусъка и отстранете причината за претоварване. След това може да използвате уреда отново.

3. Ако батерията е прегряла при претоварване, тя може да откаже да работи.

В този случай, спрете използването ѝ, и я оставете да се охлади. След това може да използвате уреда отново.

Освен това, моля, спазвайте следните предупреждения.

ПРЕДУПРЕЖДЕНИЕ

За да предотвратите разреждане на батерията, загряване, поява на дим, запалване и експлозия, уверете се, че спазвате указанията за безопасност.

1. Уверете се, че по батерията не се натрупват прах и стружки.
- Пазете батерията от прах и стружки по време на работа.
- Не допускайте по батерията да се натрупват прах и стружки по време на работа.
- Не съхранявайте неизползваните батерии на места, където са изложени на въздействието на прах и стружки.
- Преди да приберете батерията, отстранете евентуално натрупани стружки и прах, и не я дръжте на едно място с метални предмети (винтове, пирони и др.).
2. Пазете батерията от пробиване с остри предмети като гвоздеи, от удар с чук, настъпване, или от силен физически удар.
3. Не използвайте видимо повредена или деформирана батерия.
4. Не използвайте батерията с обратен поляритет.
5. Не свързвайте батерията директно към електрически източници, или към куплунга на запалката в лека кола.
6. Не използвайте батерията за цели, различни от предназначението ѝ.
7. Ако батерията не може да се зареди напълно, дори след като изтече препоръчвания период от време, незабавно прекратете последващи опити за зареждане.
8. Не излагайте батерията на високи температури или налягане, не поставяйте в микровълнова фурна, сушилня или контейнери под високо налягане.
9. При установяване на теч или неприятна миризма от батерията, не излагайте на въздействието на силна топлина или открити пламъци.
10. Не използвайте батерията в мета, където се генерира силно статично електричество.
11. Ако батерията тече, има неприятна миризма, загрява или се обезцвети и деформира, или ако се появят необичайни признаци по време на употреба, презареждане или съхранение, незабавно я извадете от оборудването или от зарядното устройство и не я използвайте.
12. Не потапяйте батерията и не позволявайте навлизането на течности в нея. Проникването на проводими течности като например вода, може да доведе до повреда и да причини пожар или експлозия. Съхранявайте батерията на хладно и сухо място, далеч от горими и леснозапалими материали. Избягвайте атмосфери с корозивни газове.

ВНИМАНИЕ

1. Ако електролит от батерията попадне в очите, не ги търкайте, а изплакнете обилно с чиста, напр. чешмяна, вода и потърсете незабавно лекарска помощ.
Ако не се вземат мерки, електролитът може да причини очни проблеми.
2. Ако електролит от батерията попадне върху кожата или дрехите, незабавно измийте с чиста, напр. чешмяна, вода.
Възможно е електролитът да причини кожно възпаление.
3. Ако при първото използване на батерията забележите ръжда, неприятен мирис, прегряване, обезцветяване, деформиране и/или други нередности, не я използвайте и я върнете на доставчика или търговеца, от който сте я закупили.

ПРЕДУПРЕЖДЕНИЕ

Ако токопроводящо чуждо тяло попадне върху клемите на литиево-йонната батерия, тя може да даде на късо и да причини пожар. Спазвайте следните правила за безопасност при съхранение на литиево-йонната батерия.

- В кутията за съхранение не слагайте токопроводящи предмети като пирони, парчета проводници и медна тел.
- За да предотвратите късо съединение, вкарайте батерията в инструментите или поставете капака ѝ така, че вентилаторът да не се вижда (Фиг. 2).

ОТНОСНО ТРАНСПОРТА НА ЛИТИЕВО-ЙОННА БАТЕРИЯ

При транспортиране на литиево-йонна батерия, моля спазвайте следните предпазни мерки.

ПРЕДУПРЕЖДЕНИЕ

Уведомете транспортната компания, че пратката съдържа литиево-йонна батерия, информирайте компанията за нейната изходна мощност и спазвайте инструкциите на транспортната компания, когато уреждате транспорта.

- Литиево-йонните батерии, които надвишават изходна мощност от 100 Wh, се считат за транспортна категория Опасни стоки и изискват прилагането на специални процедури.
- За транспортиране в чужбина трябва да спазите международните закони и правила и разпоредби на страната, до която се транспортират.



ИМЕ НА ЧАСТИТЕ (Фиг. 1 – Фиг. 12)

①	Изстрелваща глава (изход)
②	Патронник
③	LED лампа
④	Спусък
⑤	Кука
⑥	Батерия
⑦	Фиксатор
⑧	Капак на батерията
⑨	Клеми
⑩	Вентилационни отвори
⑪	Зарядно устройство
⑫	Глава на пирона

Български

13	Тяло на пирона
14	Връх на пирона
15	Магнит
16	Магнетизирана зона
17	Пирон
18	Ударник
19	Метално съединение
20	Отвор
21	Винт
22	Канал
23	Клещи

	Никога не насочвайте инструмента към себе си или към други хора в работната зона.
	Изключете батерията
	Не използвайте върху скелета, стълби.
	Само за страни от ЕС Не изхвърляйте електрически инструменти заедно с битовите отпадъци! Във връзка с разпоредбите на Европейска директива 2012/19/ЕС за електрическите и електронни уреди и нейното приложение съгласно националните законодателства, електрически уреди, които излизат от употреба, трябва да се събират отделно и предават в специализирани пунктове за рециклиране.
	Постоянен ток
	Тегло (Съгласно ЕРТА-процедура 01/2014)
	Включване
	Изключване
	Предупреждение
	Забранено действие

СИМВОЛИ

ПРЕДУПРЕЖДЕНИЕ

Използвани са следните символи за машината. Уверете се, че разбирате значението им, преди употреба.

	NH18DSL: Акумулаторен чук за пирони
	За да намали риска от наранявания, потребителят трябва да прочете ръководството за работа.
	Операторите и другите лица в работната зона трябва да носят предпазни очила със странични протектори.

СПЕЦИФИКАЦИИ

1. Акумулаторен чук за пирони

Модел	NH18DSL
Напрежение	18 V
Брой удари	4000 мин ⁻¹
Подходящи пирони	ø1,7 – 4,1 мм (Вижте Таблица 1)*1
Допустима дължина на пироните	25 мм до 90 мм*1
Тегло*2	1,3 – 1,9 кг
Размер Височина x Дължина	135 мм x 285 мм (BSL1815)

*1: Различно дърво: SPF, кедр

Може да не успее напълно да забие гвоздей в твърди материали като канадска ела, MDF или ламиниран дървен материал.

*2: Тегло: Съгласно ЕРТА процедура 01/2014. В зависимост от прикачената батерия. Най-голямото тегло се измерва с BSL36B18 (продава се отделно).

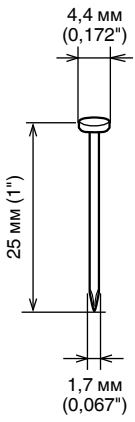

ЗАБЕЛЕЖКА

HiKOKI провежда непрекъснатата програма за изследвания и развитие, затова посочените тук спецификации подлежат на промяна без предизвестие.

ИЗБОР НА ПИРОНИ

Използвайте следните размери пирони за този чук за пирони.

Таблица 1

Мин.	Макс.
 <p>4,4 мм (0,172")</p> <p>25 мм (1")</p> <p>1,7 мм (0,067")</p>	 <p>8,7 мм (0,344")</p> <p>90 мм (3-1/2")</p> <p>4,1 мм (0,162")</p>

ПРЕДУПРЕЖДЕНИЕ

- Не използвайте пирони с никанви други размери. Те могат да повредят патронника или да бъдат изстреляни под наклон.
- Обърнете внимание на размера на главата на пирона. В търговската мрежа се предлагат насипни пирони с големи и малки глави.
- Не използвайте заналени пирони.

ЗАБЕЛЕЖКА

- Може да не успее напълно да забие гвоздей в твърди материали като канадска ела, MDF или ламиниран дървен материал.

СТАНДАРТНИ АКСЕСОАРИ

ПРЕДУПРЕЖДЕНИЕ

- Принадлещности, различни от посочените по-долу, могат да доведат до неизправност и последващи наранявания.

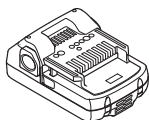
① Защита за очите.....1



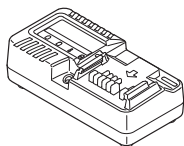
ЗАБЕЛЕЖКА: Принадлещностите подлежат на промяна без никакво задължение от страна на HIKOKI.

ДОПЪЛНИТЕЛНИ АКСЕСОАРИ (ПРОДАВАТ СЕ ОТДЕЛНО)

1. Батерия
 - BSL1815



2. Зарядно устройство
 - UC18YKSL
(Напрежение при зареждане: 14,4 V – 18 V)



Допълнителните аксесоари подлежат на промяна без предизвестие.

ПРИЛОЖЕНИЯ

- Дървени материали в общи конструкции, арматури, дървени декове, кофражи и ремонти

ЗАРЕЖДАНЕ

Батерията и зарядното устройство не са включени с този продукт.

Презареждаемите акумулаторни батерии следва да се зареждат в съответствие с инструкциите за зарядното устройство, което използвате. (Фиг. 5)

МОНТАЖ И ЕКСПЛОАТАЦИЯ

Действие	Фигура	Страница
Поставяне и изваждане на батерията	3	2
Работа на превключвателя	4	2
Зареждане	5	3
Проверка на работата на патронника*1	6	3
Заковане чрез задържане на пилона с магнита*2	7	3
Заковане чрез задържане на пилона с пръсти.*3	8	3

Фиксиране на метално съединение с пирони*4	9	4
Използване на куката*5	10	4
Освобождаване на заседнал пирон	11	4
Избор на приставки и аксесоари	—	199

*1 ПРЕДУПРЕЖДЕНИЕ

- Проверете дали патронникът се плъзга плавно при работа. Почистете плъзгащата се площ на патронника, ако той не се плъзга гладко.

*2 ПРЕДУПРЕЖДЕНИЕ

- Когато зареждате пирон в патронника, дръжте пилона за тялото вместо за върха.
- Когато зареждате пирон в патронника, се уверете, че пиронът не натиска върха на ударника.
- Когато зареждате пирон в патронника, не поставяйте пръстите или ръцете си под върха на пилона.

*3 ПРЕДУПРЕЖДЕНИЕ

- Когато забивате пирон, който държите с пръсти, първо поставете върха на пилона в целта и след това наложете патронника върху главата на пилона.

*4 ПРЕДУПРЕЖДЕНИЕ

- Когато забивате пилона, се уверете, че върхът му е в отвора на металното съединение.

*5 ВНИМАНИЕ

- Когато използвате куката, закачете електронинструмента здраво, за да не падне случайно. Ако инструментът падне, може да причини злополука.
- Задължително извадете батерията, когато използвате куката.
- Монтирайте куката надеждно. Ако куката не е закрепена здраво, се създава опасност от злополука.

ВНИМАНИЕ

Когато работите с машината, работете на кратки интервали и избягвайте непрекъсната работа. В противен случай може да причини повреда или изтичане на смазка.

ПОДДРЪЖКА И ПРОВЕРКА

ВНИМАНИЕ

Задължително извадете батерията от чука за пирони преди поддръжка и проверка.

ПРЕДУПРЕЖДЕНИЕ

- Разкачете батерията и извадете пилона от чука за пирони, когато:
 - 1) извършвате поддръжка и проверка; и
 - 2) освобождавате заседнал пирон.
- Без да свързвате батерията, проверете дали патронникът се движи стабилно, като натиснете върха му към дървен материал.

1. Освобождаване на заседнал пирон (Фиг. 11)

- ① Извадете батерията от чука за пирони.
- ② Отстранете заседналият пирон с клещи.
- ③ Ако пироните засядат често, се свържете с оторизиран сервизен център на HIKOKI.

2. Проверка на патронника (Фиг. 6)

Периодично почиствайте и смазвайте плъзгащата се част на патронника и гнездото.

Проверете дали патронникът се движи гладко, като натиснете чука за пирони към дървен материал.

Когато върху магнетизираната област вътре в патронника се полепи железен прах или подобни частици, силата на магнитно задържане на пирона може да намалее. Почистете зоната с кърпа или с лепяща лента.

От време на време почиствайте и железния прах върху магнита извън патронника с кърпа или лепяща лента.

По този начин патронникът ще работи гладко.

3. Проверка на монтажните винтове

Редовно инспектирайте всички фиксиращи винтове и се уверете, че са добре затегнати. Ако установите разхлабен винт, незабавно го затегнете. В противен случай се създава риск от сериозни злополуки.

4. Поддръжка на мотора

Намотките на двигателя са „сърцето“ на електрическия инструмент.

Упражнявайте особено внимание към намотките, тъй като могат да се повредят от попадане на влага и/или масло по тях.

5. Външно почистване

Почистете замърсяванията от инструмента с мека, суха кърпа или кърпа, навлажнена със сапунена вода. Не използвайте хлорни разтворители, бензин или разреждатели за боя, тъй като те ще разядат пластмасовите повърхности.

6. Съхранение

Съхранявайте инструмента и батерията при температура под 40°C на място, недостъпно за деца.

ЗАБЕЛЕЖКА

Съхранение на литиево-йонни батерии.

Уверете се, че литиево-йонните батерии са напълно заредени, преди да ги оставите за съхранение.

Продължително съхранение (3 месеца или повече) на непълно заредени батерии може да доведе до лоша работа, значително съксяване на живота на батериите или да ги направи негодни за употреба.

Въпреки това, батерии със значително съксясен живот могат да бъдат възстановени, чрез няколкократно зареждане и пълното им разреждане от два до пет пъти.

Ако полезният живот на батерията е значително съкратен, независимо от многократното зареждане и използване, считайте батерията за износена и сменете с нова.

ВНИМАНИЕ

При работата и поддръжката на електрическите инструменти трябва да се спазват националните разпоредби и стандарти за безопасност.

Важна информация за батерии за безжични електрически инструменти NiKOKI

Моля, винаги използвайте нашите оригинални батерии. Не гарантираме безопасността и работата на уреда, когато се използват батерии, различни от посочените от нас, или когато са правени промени по батериите (като разглобяване и подмяна на клетките или други вътрешни компоненти).

ГАРАНЦИЯ

Предоставяме гаранция за Електрически Инструменти NiKOKI съгласно специфичните местени законодателства на съответните държави. Настоящата гаранция не покрива дефекти или повреди, причинени от неправилно или небрежно използване, както и дължащи се на обичайно износване на компонентите. В случай на рекламация, моля, изпратете Електрическият Инструмент, в неразглобен вид, с ГАРАНЦИОННАТА КАРТА, продълствена в края на инструкциите, на оторизиран сервизен център на NiKOKI.

Информация за шумово замърсяване и вибрации

Измерените стойности отговарят на изискванията на EN62841 и съответстват на ISO 4871.

Измерено А-претеглено шумово ниво: 107 dB (A)

Измерено А-претеглена сила на звука: 96 dB (A)

Неточност К К : 3 dB (A).

Носете антифони.

Общи стойности на вибрации (векторна сума) определени съгласно EN62841.

Стойност на вибрации: 15,5 м/сек

Неточност К = 1,5 м/сек²

Декларираната обща стойност на вибрациите и декларираната стойност на шумовите емисии са измерени в съответствие със стандартен метод за изпитване и могат да бъдат използвани за сравняване на един инструмент с друг.

Те могат да се използват и при предварителна оценка на експозицията.

ПРЕДУПРЕЖДЕНИЕ

○ Излъчването на вибрации и шум по време на действителната употреба на електроинструмента може да се различава от декларираната обща стойност в зависимост от начините, по които се използва инструментът, особено какъв вид детайл се обработва; и

○ Идентифициране на мерките за безопасност за оператора, въз основа оценка на въздействието при действителни условия на използване (като се вземат предвид всички елементи от работния цикъл, като периоди на включван и изключване, както и работа на празни обороти непосредствено преди и след момента на използване).

ЗАБЕЛЕЖКА

NiKOKI провежда непрекъсната програма за проучвания и развитие, затова посочените тук спецификации подлежат на промяна без предизвестие.

OPŠTA BEZBEDNOSNA UPOZORENJA ZA ELEKTRIČNI ALAT

⚠ UPOZORENJE

Pročitajte sva bezbednosna upozorenja, uputstva, ilustracije i specifikacije koje ste dobili uz ovaj električni alat.

Propust da se slede sva dole navedena uputstva može da izazove strujni udar, požar i/ili teške povrede.

Sačuvajte sva upozorenja i uputstva za buduću upotrebu.

Izraz „električni alat“ u ovim upozorenjima odnosi se na električni alat napajan iz mreže (pomoću kabla) ili na alat napajan iz baterije (bez kabla).

1) Bezbednost radnog područja

- a) Radno područje održavajte čistim i dobro osvetljenim.

Zbog zakrčenog ili mračnog prostora mogu se dogoditi nesreće.

- b) Električnim alatom nemojte da rukujete u eksplozivnoj atmosferi, na primer u prisustvu zapaljivih tečnosti, gasova ili prašine.

Električni alati stvaraju varnice koje mogu da zapale prašinu ili isparenja.

- c) Decu i posmatrače držite podalje dok rukujete električnim alatom.

Zbog ometanja možete da izgubite kontrolu nad njim.

2) Električna bezbednost

- a) Utičak električnog alata moraju da odgovaraju utičnici. Nikada ni na koji način nemojte da prepravljate utikač. Nemojte da koristite nikakve adaptere za utikače dok rukujete uzemljenim električnim alatom.

Utičak koji nisu prepravljani i odgovarajuće utičnice smanjuje opasnost od strujnog udara.

- b) Izbegavajte kontakt sa uzemljenim površinama kao što su cevi, radijatori, šporeti ili frižideri.

Opasnost od strujnog udara se povećava ako vam je telo uzemljeno.

- c) Električni alat nemojte da ostavljate na kiši ili izloženog vlazi.

Voda koja prodre u električni alat povećava opasnost od strujnog udara.

- d) Nemojte da zloupotrebljavate kabl. Kabl nikada nemojte da koristite da biste nosili, vukli ili isključivali iz struje električni alat.

Kabl držite podalje od toplote, ulja, oštih ivica ili pokretnih delova.

Oštećeni ili upetljani kablovi povećavaju opasnost od strujnog udara.

- e) Kada električni alat koristite napolju, koristite produžni kabl koji je predviđen za spoljnu upotrebu.

Korišćenjem kabla koji je predviđen za spoljnu upotrebu smanjuje se opasnost od strujnog udara.

- f) Ako nije moguće izbeći upotrebu električnog alata na vlažnom mestu, koristite napajanje zaštićeno zaštitnom strujnom sklopkom (RCD).

Korišćenjem RCD-a smanjuje se opasnost od strujnog udara.

3) Lična bezbednost

- a) Kada rukujete električnim alatom budite na oprezu, pazite šta radite i koristite zdrav razum. Nemojte da koristite električni alat kada ste umorni ili ako ste pod uticajem droge, alkohola ili lekova.

Trenutak nepažnje tokom upotrebe električnog alata može dovesti do teške povrede.

- b) Koristite ličnu zaštitnu opremu. Uvek nosite zaštitu za oči.

Zaštitna oprema kao što je maska za prašinu, neklizajuća radna obuća, šlem i zaštita za sluh, koja se koristi u odgovarajućim uslovima, smanjuje opasnost od povredivanja.

- c) Onemogućite slučajno uključivanje. Pre priključivanja na izvor napajanja i/ili baterije, uzimanja ili prenošenja alata, proverite da li se prekidač nalazi u položaju isključeno.

Prenošenje električnog alata sa prstom na prekidaču ili uključivanje napajanja alata dok je prekidač u položaju uključeno može dovesti do nesreće.

- d) Pre uključivanja električnog alata uklonite ključ za podešavanje.

Ključ koji je ostao pričvršćen na rotacionom delu električnog alata može da nanese povrede.

- e) Nemojte se isticati. Sve vreme održavajte dobar oslonac i ravnotežu.

Zahvaljujući tome imaćete bolju kontrolu nad električnim alatom u neočekivanim situacijama.

- f) Nosite odgovarajuću odeću. Nemojte da nosite široku odeću ili nakit. Kosu i odeću držite podalje od pokretnih delova.

Pokretni delovi mogu da zahvate široku odeću, nakit ili dugu kosu.

- g) Ako uređaj ima priključak za posudu za izvlačenje i prikupljanje prašine, postarajte se da ona bude ispravno priključena i korišćena.

Upotrebom posude za prikupljanje prašine mogu da se smanje opasnosti povezane s prašinom.

- h) Ne dopustite da poznavanje stečeno usled česte upotrebe alata utiče na to da postanete puni poverenja i da ignorišete principe bezbednosti alata.

Neoprezno rukovanje može da izazove ozbiljnu povredu u deliću sekunde.

4) Upotreba i održavanje električnog alata

- a) Nemojte koristiti električni alat na silu. Koristite električni alat koji odgovara poslu koji želite obaviti.

Odgovarajućim električnim alatom posao ćete obaviti bolje i bezbednije pri brzini za koju je predviđen.

- b) Nemojte da koristite električni alat ako ne možete da ga uključite i isključite prekidačem.

Svaki električni alat kojim ne može da se upravlja prekidačem predstavlja opasnost i mora biti popravljeno.

- c) Izvucite utikač iz izvora napajanja i/ili uklonite bateriju, ako može da se izvadi, iz električnog alata pre vršenja bilo kakvih podešavanja, menjanja pribora ili odlaganja električnog alata.

Ove preventivne mere bezbednosti smanjuju opasnost od slučajnog uključivanja električnog alata.

- d) Nekorišćeni električni alat odložite van domašaja dece i nemojte dozvoliti da ga koriste osobe koje nisu upoznate s njim ili ovim uputstvima.

Električni alat je opasan u rukama osoba koje ne znaju kako se on koristi.

- e) Održavajte električni alat i dodatke. Proverite da li su pokretni delovi dobro namešteni i pričvršćeni, da li ima delova koji su polomljeni ili postoji neko stanje koje može uticati na rad električnog alata. Ako je oštećen, električni alat treba popraviti pre upotrebe.

Mnoge nezgode su izazvane električnim alatom koji nije dobro održavan.

- f) Alate za sečenje održavajte oštirim i čistim.

Manja je verovatnoća da će se zaglaviti ispravno održavani alat za sečenje sa naoštrenim oštricama i takav alat je lakše kontrolisati.

BEZBEDNOSNA UPOZORENJA ZA AKUMULATORSKI ČEKIČ ZA EKSERE

- g) Električni alat, pribor, rezne pločice itd. koristite u skladu sa ovim uputstvima, uzimajući u obzir uslove rada i posao koji treba obaviti.
Korišćenje električnog alata za namene za koje nije predviđen može prouzrokovati opasne situacije.
- h) **Državajte ručke i površine koje se hvataju suvim, čistim i bez ulja i masti.**
Klizave ručke i površine za hvatanje ne dopuštaju bezbedno rukovanje i kontrolu alata u neočekivanim situacijama.
- 5) **Upotreba i održavanje alata s baterijom**
- a) **Dopunjavajte isključivo punjačem koji je predvideo proizvođač.**
Punjač koji je predviđen za jednu bateriju može da izazove opasnost od požara kada se koristi za drugu bateriju.
- b) **Koristite električni alat isključivo sa konkretno predviđenim baterijama.**
Korišćenje bilo koje druge baterije može izazvati opasnost od povredjanja i požara.
- c) **Kada se baterija ne koristi, držite je podalje od metalnih predmeta kao što su spajalice, novčići, ključevi, ekseri, zavrtnji ili drugi mali metalni predmeti koji mogu napraviti spoj između dva kontakta.**
Stvaranje kratkog spoja između kontakta na bateriji može da izazove opekotine ili požar.
- d) **U uslovima pogrešnog korišćenja, tečnost može da iscuri iz baterije; izbegavajte kontakt. Ako do kontakta slučajno dođe, isperite vodom. Ako vam tečnost dospe u oči, potražite i pomoć lekara.**
Tečnost iscurila iz baterije može da izazove iritaciju ili opekotine.
- e) **Ne koristite bateriju ili alat koji je oštećen ili modifikovan.**
Oštećene ili modifikovane baterije mogu izazvati nepredvidljivo ponašanje koje dovodi do požara, eksplozije ili opasnosti od povreda.
- f) **Nemojte izlagati bateriju ili alat vatri ili prekomernoj temperaturi.**
Izlaganje vatri ili temperaturi iznad 130°C može izazvati eksploziju.
- g) **Pratite sva uputstva za punjenje i ne punite bateriju ili alat van temperaturnog opsega navedenog u uputstvima.**
Nepravilno punjenje ili na temperaturama izvan navedenog opsega može oštetiti bateriju i povećati rizik od požara.
- 6) **Servisiranje**
- a) **Servisiranje vašeg električnog alata prepustite stručnom serviseru koji će koristiti isključivo identične rezervne delove.**
Time će se očuvati bezbednost električnog alata.
- b) **Nikada ne koristite oštećene baterije.**
Servis baterija treba da vrše samo proizvođač ili ovlašćeni pružaoci usluga.
- MERE PREDOSTROŽNOSTI**
Decu i nemoćne osobe držite podalje.
Kada se ne koristi, alat treba držati van domašaja dece i nemoćnih osoba.

- Uvek pretpostavite da alat sadrži eksere.**
Nepažljivo rukovanje čekić za eksere može da dovede do neočekivanog otpuštanja eksera i lične povrede.
- Ne usmeravajte alat ka sebi ili ikome u blizini.**
Neočekivano pokretanje će ispustiti eksere izazivajući ozledu.
- Ne aktivirajte alat osim ako alat nije čvrsto postavljen na radnu površinu.**
Ako alat nije u kontaktu sa radnom površinom, ekser se može odbiti od svoje mete.
- Isključite alat sa izvora napajanja kada se ekser zaglavi u alatu.**
Dok uklanjate zaglavljene eksere, čekić za eksere može slučajno da se aktivira ako je uključen.
- Ne koristite ovaj čekić za eksere za zatezanje električnih kablova.**
On nije namenjen za instalaciju električnog kabla i može da ošteti izolaciju električnih kablova tako izazivajući strujni udar ili opasnosti od požara.
- Nosite zaštitu za uši**
Izloženost buci može izazvati gubitak sluha.
- Koristite pomoćnu(e) ručku(e), ako su isporučene uz alat.**
Gubitak kontrole može da izazove povredjanje.
- Držite električni alat za izolovane rukohvate kada tokom izvođenja radova držać može doći u kontakt sa skrivenim žicama.**
Pričvršćivači koji dođu u kontakt sa žicom pod naponom mogu da prenesu napon do nepokrivenih metalnih delova električnog alata zbog čega rukovalac može da doživi strujni udar.

DODATNA BEZBEDNOSNA UPOZORENJA

- Tokom rada čvrsto držite alat.**
Ako to ne uradite posledice mogu biti nezgode ili povrede. (Sl. 12)
- Bezbedan rad kroz pravilno korišćenje.**
Ovaj alat je dizajniran za ukucavanje eksera u drvo i sličnih materijala. Koristite ga samo za svoju namenu.
- Pazite na paljenje i eksplozije.**
Pošto varnice mogu da lete za vreme ukucavanja, opasno je koristiti ovaj alat u blizini lakova, boje, benzina, razređivača, gasa, lepkova i sličnih zapaljivih supstanci jer mogu da se zapale i eksplodiraju. Ni pod kojim uslovima ne treba ovaj alat da se koristi u blizini takvog zapaljivog materijala.
- Uvek nosite zaštitu za oči (zaštitne naočari).**
 Kada rukujete električnim alatom, uvek nosite zaštitu za oči i postarajte se da ljudi u okruženju takođe nose zaštitu za oči. Mogućnost da fragmenti eksera koji nisu pravilno udareni uđ u oko je opasnost po vid. Zaštita za oči može da se kupi u bilo kojoj prodavnici alata. Uvek nosite zaštitu za oči dok rukujete ovim alatom. Koristite ili zaštitu za oči ili masku širokog vida a ne naočari za vid. Poslodavci treba uvek da sprovedu korišćenje opreme za zaštitu očiju.
- Zaštitite svoje uši i glavu.**
Kada se bavite poslom zakucavanja molimo da nosite slušalice za uši i zaštitu za glavu. Takođe, u zavisnosti od uslova, postarajte se da ljudi u okruženju takođe nose slušalice za uši i zaštitu za glavu.

6. Obratite pažnju na one koji rade u vašoj blizini.

Bilo bi veoma opasno ako bi ekseri koji nisu pravilno ukucani udarili druge ljude. Zato, uvek obratite pažnju na bezbednost ljudi oko vas kada koristite alat. Uvek se postarajte da ničije telo, ruke ili noge ne budu u blizini izlaza eksera.

7. Nikada ne usmeravajte izlaz eksera ka ljudima.



Uvek pretpostavite da alat sadrži zatezivače.

Ako je izlaz za ekser usmeren ka ljudima, ozbiljne nezgode mogu da se izazovu ako pogrešno ispraznite alat.

Kada povezujete ili isključujete bateriju, u toku učitavanja eksera ili sličnih rukovanja, postarajte se da izlaz eksera nije usmeren ni prema kome (uključujući vas). Čak i kada nijedan ekser nije ubačen, opasno je prazniti alat dok je uperen ka nekome, pa nikada ne pokušavajte to da uradite. Bez igranja. Smatrajte da je alat sredstvo rada.

8. Proverite šipku pre upotrebe.

Postarajte se da šipka pravilno radi. Nikada ne koristite čekić za ekser osim ako štap ne radi pravilno, u suprotnom čekić za ekser bi mogao da neočekivano ukuca ekser. Ne ometajte niti uklanjajte šipku, u suprotnom će šipka postati neupotrebljiva.

9. Koristite samo određene ekser.

Nikada ne koristite ekser osim onih koji su navedeni i opisani u ovim uputstvima.

10. Budite pažljivi kada povezujete bateriju.

Kada povezujete bateriju i puniti ekserima a da ne biste otkinuli alat slučajno, proverite sledeće.

- Ne dodirujte okidač.
- Ne dozvolite da glava za kucanje dođe u kontakt sa bilo kojom površinom.
- Držite glavu za kucanje dole.

Strogo poštujujte uputstva iznad i uvek se postarajte da nijedan deo tela, ruku ili nogu nikada nije ispred izlaza eksera.

11. Nemojte nehотиčno da stavite prst na okidač.

Ne stavlajte prst na okidač osim kada zaista ukucavate ekser. Ako nosite ovaj alat ili ga dajete nekome dok vam je prst na okidaču, možete nehottično da ispusite ekser i tako da izazovete nesreću.

12. Čvrsto pritisnite izlaz eksera naspram materijala koji treba da se ukuca.

Kada ukucavate ekser, čvrsto pritisnite izlaz eksera naspram materijala koji treba da se ukuca. Ako izlaz nije pravilno primenjen, ekseri mogu da odskoče.

13. Držite ruke i noge podalje od glave koja ispušta ekser kada ga koristite.



Veoma je opasno kada ekser slučajno udari u ruke ili noge.

14. Pazite se povratnog udara alata.

Ne prilazite gornjem delu alata koristeći glavu itd. u toku rukovanja. Ovo je opasno jer alat može nasilno da se povraća ako ekser koji se trenutno ukucava dođe u kontakt sa prethodnim ekserom ili čvorom u drvetu.

15. Vodite računa kada kucate tanke ploče ili iverice drveta.

Kada kucate tanke ploče, ekseri mogu skroz da prođu što takođe može da bude slučaj kada kucate iverice drveta usled devijacije eksera. U takvim slučajevima, uvek se postarajte da nema nikoga (i ničije ruke ili noge; itd.) iza tankih ploča ili pored drveta koje želite da ukucate.

16. Istovremeno kucanje na obe strane istog zida je opasno.

Ni pod kojim okolnostima ne treba da se kucanje eksera izvrši na obe strane zida u isto vreme. Ovo bi bilo jako opasno jer ekseri mogu da prođu kroz zid i tako izazovu povredu.

17. Ne koristite električni alat na skelama, merdevinama.

Električni alat neće biti korišćen za specifičnu primenu na primer:

- kada menjanje jedne lokacije za ukucavanje na drugu uključuje korišćenje skela, stepeništa, merdevina ili merdevine koje su slične konstrukciji, npr. krovne letvice,
- kutija za zatvaranje ili sanduka,
- bezbednosni sistemi transporta fitinga npr. na vozilima i vagonima

18. Uklonite sve preostale ekser e i bateriju iz čekića za ekser e kada:

- 1) se održava i proverava;
- 2) se proverava pravilno rukovanje štapa ili okidača;
- 3) se popravlja zaglavljenje;
- 4) se ne koristi;
- 5) se napušta područje rada;
- 6) se seli na drugu lokaciju; i
- 7) predaje se drugoj osobi.

Nikada ne pokušavajte da otklonite zaglavljenje ili opravite čekić za ekser osim ako niste uklonili bateriju i sve preostale ekser e iz čekića za ekser e.

Čekić za ekser e nikada ne treba da se ostavi bez nadgledanja jer ljudi koji nisu upoznati sa čekićem za ekser e mogu da njime rukuju i da se povrede.

19. Kada čistite električni alat, ne koristite benzin ili druge zapaljive tečnosti.

Ako para iz zapaljive tečnosti uđe u električni alat, postoji opasnost da će iskre koje se pojave prilikom spajanja itd. možda izazvati eksploziju.

20. Radna okolina za ovaj uređaj je između 0°C i 40°C pa se postarajte da korišćenje bude unutar ovog opsega temperature. Uređaj možda neće raditi ispod 0°C ili iznad 40°C.

21. NIKADA ne dopuštajte da magneti (ili slični magnetni uređaji) budu u blizini automatskog čekića, jer čekić za ekser e ima magnet unutra.

To će izazvati neispravnost ili rizik od povrede usled greške.

22. Mirovanje uređaja nakon neprekidnog rada.

23. Električni alat je opremljen sa toplinom zaštitnim kolom da bi ga izazove rast temperature uređaja, aktiviranje toplinom zaštitnog kola i automatskog zaustavljanje rada. Ako se to desi, potrebno je sačekati da se električni alat ohladi pre upotrebe.

24. Ovaj proizvod može da prestane da radi kada se otkrije abnormalnost.

25. Nemojte da gledate direktno u lampu. Usled toga može doći do oštećenja očiju.

Obrisite bilo koju prašinu ili prljavštinu na sočivu LED svetla sa mekom krpom, paziteći da ne ogrebetete sočivo. Ogrebotine na sočivu LED svetla mogu da dovedu do smanjene svetline.

MERE PREDOSTROŽNOSTI ZA BATERIJU I PUNJAČ

1. Bateriju uvek puniti kada temperatura okoline iznosi 0–40°C.

Temperatura ispod 0°C prouzrokuje prepunjavanje što je opasno. Baterija ne može da se puni na temperaturi većoj od 40°C.

Najpogodnija temperatura za punjenje je između 20–25°C.

2. Punjač nemojte da koristite neprestano.

Kada završite s jednim punjenjem, ostavite punjač oko 15 minuta pre sledećeg punjenja baterije.

3. Nemojte dozvoliti da strani predmeti dospeju u otvor za priključivanje punjive baterije.

4. Nikada nemojte da rastavljate punjivu bateriju ili punjač.

5. **Nikada nemojte da pravite kratak spoj na punjivoj bateriji.**
Zazivanje kratkog spoja na bateriji stvorice jaku struju i pregrevanje. Posledice ce biti opekotine ili oštećenje baterije.
6. **Bateriju nemojte bacati u vatru.**
Baterija koju zahvati vatra može da eksplodira.
7. **Korišćenjem baterije kojoj je istekao radni vek oštetice punjač.**
8. **Odnosite bateriju u prodavnicu u kojoj ste je kupili čim njeno trajanje nakon punjenja postane suviše kratko da bi mogla da se koristi.**
Bateriju kojoj je istekao radni vek nemojte da bacite.
9. **Nemojte da gurate predmete u ventilacione otvore na punjaču.**
Guranjem metalnih ili zapaljivih predmeta u ventilacione otvore na punjaču nastace opasnost od strujnog udara ili oštećenje punjača.

9. Držite je podalje od vatre čim primetite curenje ili osetite čudan miris.
10. Nemojte je koristiti na mestu gde dolazi do stvaranja jakog statičkog elektriciteta.
11. Ako baterija curi, stvara neugodan miris, zagreva se, menja boju ili oblik, ili ako na neki način izgleda neobično tokom upotrebe, punjenja ili skladištenja, odmah je uklonite iz opreme ili punjača i prestanite da je koristite.
12. Nemojte da potopite bateriju u vodu i nemojte da dozvolite da bilo kakva tečnost uđe u nju. Ulaz provodne tečnosti, kao što je voda, može da izazove štetu koja može da dovede do požara ili eksplozije. Čuvajte bateriju na hladnom, suvom mestu, podalje od zapaljivih predmeta. Korozivne gasne atmosfere moraju da se izbegnu.

OPREZ

1. Ako vam tečnost koja iscuri iz baterije dospe u oči, nemojte da trljate oči već ih dobro isperite čistom vodom, na primer vodom iz česme, i odmah se obratite lekaru. Ako se ne tretira, tečnost može da izazove probleme sa očima.
2. Ako vam tečnost iscuri na kožu ili odeću, odmah dobro operite čistom vodom, na primer vodom iz česme. Postoji mogućnost pojave iritacije kože.
3. Ako tokom prve upotrebe baterije primetite rđu, neugodan miris, gubitak boje, deformacije i/ili druge neregularnosti, nemojte da koristite bateriju i vratite je dobavljaču ili prodavcu.

UPOZORENJE O LITIJUM-JONSKOJ BATERIJI

Da bi joj se produžio radni vek, litijum-jonska baterija ima zaštitnu funkciju da bi se zaustavilo isticanje energije.

U dole opisanim slučajevima 1 do 3, kada koristite ovaj proizvod, motor može da se zaustavi čak i ako je prekidač pritisnut. Ovo nije kvar već rezultat rada zaštitne funkcije.

1. Motor se zaustavlja kada se baterija istroši.
U tom slučaju odmah je napunite.
2. Motor može da se zaustavi ako je alat preopterećen. U tom slučaju otpustite prekidač na alatu i uklonite uzroke preopterećenja. Nakon toga možete ponovo da ga koristite.
3. Ako se baterija pregreje usled rada pod preopterećenjem, napajanje iz baterije može biti obustavljeno.
U tom slučaju prestanite da koristite bateriju i ostavite je da se ohladi. Nakon toga možete ponovo da ga koristite.

Osim toga, molimo vas da obratite pažnju na sledeće upozorenje.

UPOZORENJE

Da biste sprečili svako curenje baterije, stvaranje toplote, ispuštanje dima, eksploziju ili prethodno paljenje, pridržavajte se sledećih mera predostrožnosti.

1. Pazite da se opiljci i prašina ne skupljaju na bateriji.
 - Tokom rada pazite da opiljci i prašina ne padaju na bateriju.
 - Pazite da se opiljci i prašina koji padaju na električni alat ne skupljaju na bateriji.
 - Nekorišćenu bateriju nemojte držati na mestu izloženom opiljcima i prašini.
2. Pre odlaganja baterije uklonite opiljke i prašinu koji mogu prionuti uz nju i nemojte je držati zajedno s metalnim predmetima (zavrtjni, ekseri, itd.).
2. Nemojte da probušite bateriju oštrim predmetom kao što je ekser, nemojte da je udarate čekićem, da stajete na nju, niti da je izlažete jakim udarcima.
3. Nemojte da koristite vidljivo oštećenu ili deformisanu bateriju.
4. Nemojte da koristite bateriju tako da joj polariteti budu obrnuti.
5. Nemojte direktno da je priključujete na električne utičnice ili na utičnicu za paljenje cigareta u automobilu.
6. Nemojte da koristite bateriju za namene za koje nije predviđena.
7. Ako se baterija ne napuni do kraja čak i kada prođe vreme predviđeno za punjenje, odmah prekinite daljnje punjenje.
8. Bateriju nemojte da izlažete visokim temperaturama ili jakim pritiskom, na primer stavljajući je u mikrotalasnu pećnicu, mašinu za sušenje ili posudu pod visokim pritiskom.

UPOZORENJE

Ako provodljivi strani predmet dospe u terminal litijum-jonske baterije, to može da izazove kratak spoj i usled toga požar. Prilikom skladištenja litijum-jonske baterije, strogo se pridržavajte sledećih pravila.


- U kutiju za čuvanje nemojte da stavljate provodljive otpatke, eksera i žicu, kao što je čelična i bakarna žica.
- Da biste sprečili pojavu kratkog spoja, bateriju stavite u alat ili dobro pričvrstite poklopac baterije za smeštanje sve dok ventilator ne počne da se vidi (SI. 2).

U VEZI TRANSPORTA LITIJUM-JONSKE BATERIJE

Kada transportujete litijum-jonsku bateriju, molimo da poštuje sledeća upozorenja.

UPOZORENJE

- Javite transportnoj kompaniji da paket sadrži litijum-jonsku bateriju, upoznajte kompaniju sa njenom snagom i pratite instrukcije transportne kompanije kada uređujete transport.
- Litijum-jonske baterije koje prelaze izlaznu snagu od 100 Wh se smatraju u klasifikaciji tereta kao opasne materije i zahtevaju primenu specijalnih procedura.
 - Za transport u inostranstvo, morate da poštuje međunarodne zakone i pravila i regulative ciljane države.

Izlazna snaga
 Wh
 Broj od 2 do 3 cifre




NAZIVI DELOVA (SI. 1 – SI. 12)

①	Glava za kucanje (izlaz)
②	Šipka
③	LED svetlo
④	Okidač
⑤	Kuka
⑥	Baterija
⑦	Reza
⑧	Poklopac baterije
⑨	Krajevi baterije
⑩	Rupe za ventilaciju
⑪	Punjač
⑫	Glava eksera
⑬	Okno eksera
⑭	Vrh eksera
⑮	Magnet
⑯	Magnetno područje
⑰	Ekser
⑱	Jedinica koja pokreće
⑲	Metalni spoj
⑳	Rupa
㉑	Šraf
㉒	Žleb
㉓	Klešta

OZNAKE

UPOZORENJE

Ovde su prikazane oznake koje se koriste na mašini. Postarajte se da razumete njihovo značenje pre upotrebe.

	NH18DSL: Akumulatorski čekić za eksere
	Da bi se smanjio rizik od povreda, korisnik mora da pročita korisničko uputstvo.
	Operateri i drugi u području rada moraju da nose bezbednosne naočari sa bočnim štítovima.
	Nikada nemojte da usmerite alat ka sebi ili drugima u radnoj površini.
	Isključivanje baterije
	Ne koristite na skelama, merdevinama.
	Samo za zemlje EU Nemojte odlagati električni alat zajedno sa smećem iz domaćinstva! Na osnovu Evropske direktive 2012/19/EU o dotrajaloj električnoj i elektronskoj opremi, kao i njene primene u skladu s državnim propisima, električni alat koji je došao do kraja svog radnog veka mora se prikupiti zasebno i odneti u postrojenje za reciklažu koje ispunjava ekološke zahteve.
	Direktna struja
	Težina (U skladu sa EPTA-procedurom 01/2014)
	Uključiti
	Isključiti
	Upozorenje
	Zabranjena radnja

SPECIFIKACIJE

1. Akumulatorski čekić za eksere

Model	NH18DSL
Napon	18 V
Broj udaraca	4000 min ⁻¹
Primenljiv ekser	ø1,7 – 4,1 mm (Vidite Tabelu 1)* ¹
Primenljiva dužina eksera	25 mm do 90 mm* ¹
Težina* ²	1,3 – 1,9 kg
Dimenzija Visina x Dužina	135 mm x 285 mm (BSL1815)

*1: Drvo za rad: SPF (omorika, bor i jela), kedar

Možda ne može u potpunosti ukucati ekser u tvrde materijale kao što su kanadska smreka, MDF (medijapan srednje gustine) ili laminirana drvena građa.

*2: Težina: Prema EPTA-proceduri 01/2014. U zavisnosti od prikačene baterije. Najveća težina se meri sa BSL36B18 (prodaje se zasebno).

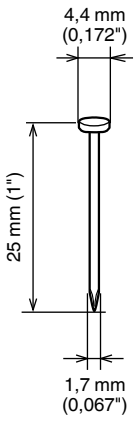
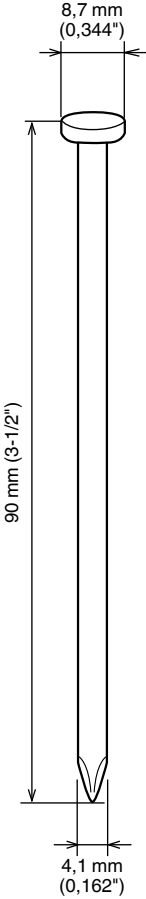
NAPOMENA

Zbog neprekidnog programa istraživanja i razvoja kompanije HiKOKI, ovde navedene specifikacije su podložne izmenama bez prethodnog obaveštenja.

IZBOR EKSERA

Koristite eksere u sledećim veličinama za ovaj čekić za eksere.

Tabela 1

Min.	Maks.
 <p>4,4 mm (0,172")</p> <p>25 mm (1")</p> <p>1,7 mm (0,067")</p>	 <p>8,7 mm (0,344")</p> <p>90 mm (3-1/2")</p> <p>4,1 mm (0,162")</p>

UPOZORENJE

- Ne koristite eksere u bilo kojim drugim veličinama. Oni mogu da oštete šipku ili da se upere u kosom pravcu.
- Pazite na veličinu glave eksera. Veličina glave eksera može da se razlikuje od velike i male sa komercijalno dostupnim ekserima u pakovanju.
- Ne koristite oštre eksere.

NAPOMENA

- Možda ne može u potpunosti ukucati ekser u tvrde materijale kao što su kanadska smreka, MDF (medijapan srednje gustine) ili laminirana drvena građa.

STANDARDNI PRIBOR

UPOZORENJE

- Pribor osim onog pokazanog ispod može da dovede do neispravnosti i povreda.

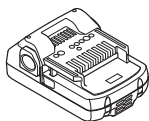
- ① Zaštita očiju.....1



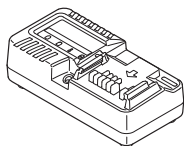
NAPOMENA: Pribori mogu da se promene bez bilo kakve obaveze od strane kompanije HiKOKI.

OPCIONI DODACI (PRODAJU SE ZASEBNO)

1. Baterija
○ BSL1815



2. Punjač
○ UC18YKSL (Napon punjenja: 14,4 V – 18 V)



Opcioni dodaci su podložni izmenama bez prethodnog obaveštenja.

PRIMENE

- Drveni materijali u opštim konstrukcijama, fitinzi, drvene palube, okviri i renovacije

PUNJENJE

Baterija i punjač baterije nisu uključeni sa ovim proizvodom. Za punjive baterije, molimo vas da ih napunite u skladu sa uputstvima za rukovanje punjača koji koristite. (Sl. 5)

MONTAŽA I UPOTREBA

Postupak	Broj	Strana
Ubacivanje i uklanjanje baterije	3	2
Funkcija prekidača	4	2
Punjenje	5	3
Proveravanje operacija šipke*1	6	3
Kucanje držeći ekser sa magnetom*2	7	3
Kucanje držeći ekser sa prstima.*3	8	3
Fiksiranje eksersa na metalni spoj*4	9	4
Korišćenje kuke*5	10	4
Popravljanje zaglavljenja	11	4
Odabir pribora	—	199

*1 UPOZORENJE

- Proverite da biste se uverili da li šipka glatko klizi kada se njome rukuje. Očistite klizno područje na šipki ako ne klizi glatko.

*2 UPOZORENJE

- Kada ubacujete ekser u šipku, držite otvor za ekser umesto vrha.
- Kada ubacujete ekser u šipku, postarajte se da ne pritisne vrh upravljačke jedinice.
- Kada ubacujete ekser u šipku, ne stavljajte prste ili ruke ispod vrha eksersa.

*3 UPOZORENJE

- Kada ukucavate ekser držeći ga prstima, prvo stavite vrh eksersa na metu a zatim ubacite šipku na glavu eksersa.

*4 UPOZORENJE

- Kada ukucavate ekser, postarajte se da vrh eksersa bude u rupi metalnog spoja.

*5 OPREZ

- Kada koristite kuku, čvrsto povucite električni alat da ne bi slučajno ispao. Ako se električni alat ispusti, to može da dovede do nesreće.
- Postarajte se da baterija bude uklonjena kada koristite kuku.
- Čvrsto instalirajte kuku. Ako kuka nije dobro pričvršćena, može naneti povredu tokom korišćenja.

OPREZ

Pri ukucavanju eksersa, radite kratko vreme i izbegavajte neprekidni rad. U suprotnom može doći do otkazivanja ili curenja masti.

ODRŽAVANJE I PROVERA

OPREZ

Obavezno izvadite bateriju iz čekića za eksere pre održavanja i provere.

UPOZORENJE

- Isključite bateriju i uklonite ekser iz čekića za eksere kada:
 - 1) vršite održavanje i proveru; i
 - 2) kada se popravlja zaglavljenje.
- Bez povezivanja baterije, proverite da li se šipka pravilno pomera pritiskajući vrh šipke naspram materijala kao što je drvo.

1. Popravljanje zaglavljenja (Sl. 11)

- ① Uklonite bateriju iz čekića za eksere.
- ② Kleštima uklonite zaglavljen ekser.
- ③ U slučaju čestih zaglavljenja, kontaktirajte HiKOKI ovlašćeni servisni centar.

2. Kontrola šipke (Sl. 6)

Periodično očistite i podmažite klizni deo šipke i utičnice. Proverite da li se šipka glatko kreće pritiskajući čekić za eksere naspram materijala kao što je drvo. Kada se prah od gvožđa ili slično zalepi za magnetno područje unutar štapa, snaga da se magnetski drži ekser može da se smanji. Ponekad obrišite područje krpom ili lepljivom trakom.

Takođe ponekad obrišite prah od gvožđa na magnetu van šipke krpom ili lepljivom trakom.

To čini da rad štapa bude gladak.

3. Provera montažnih zavrtnjeva

Redovno proveravajte sve montažne zavrtnje i postarajte se da budu dobro zategnuti. Ako bilo koji od ovih zavrtnjeva popusti, odmah ga pritegnite. Propust da to uradite može da izazove ozbiljnu opasnost.

4. Održavanje motora

Namotaji motora su samo „srce“ električnog alata. Poklanjajte odgovarajuću pažnju da se namotaji ne bi oštetili i/ili pokvasili uljem ili vodom.

5. Čišćenje spoljašnjosti

Kada se električni alat isprlja, obrišite ga mekom, suvom krpom ili krpom navlaženom sa sapunicom. Nemojte da koristite rastvarače na bazi hlora, benzin ili razređivač za farbu, jer oni tope plastiku.

6. Čuvanje

Električni alat i bateriju čuvajte na mestu gde je temperatura niža od 40°C i van domašaja dece.

NAPOMENA

Čuvanje litijum-jonskih baterija.

Postarajte se da litijum-jonske baterije budu potpuno napunjene pre nego što ih odložite.

Dugotrajno čuvanje (3 meseca ili više) baterija koje nisu dovoljno napunjene može dovesti do smanjenja radnog učinka, značajnog skraćivanja vremena korišćenja baterija ili do njihove nesposobnosti da drže naboj.

Međutim, značajno skraćivanje vremena korišćenja baterije može biti regulisano ako se napuni i iskoristi tri do pet puta.

Ako je vreme korišćenja baterija veoma kratko i pored više punjenja i korišćenja, smatrajte da su potpuno istrošene i kupite nove.

OPREZ

Pri rukovanju i održavanju električnih alata, bezbednosne regulative i standardi propisani u svakoj zemlji moraju da se poštuju.

Važna napomena o baterijama za HiKOKI akumulatorske električne alate

Uvek koristite neku od naših predviđenih, originalnih baterija. Ne možemo da garantujemo bezbednost i radni učinak našeg akumulatorskog električnog alata kada se koristi s baterijama koje nismo predvideli ili kada se baterije rastave i preprave (na primer prilikom rastavljanja i zamene ćelija ili drugih unutrašnjih delova).

GARANCIJA

Garantujemo da HiKOKI električni alati ispunjavaju zakonske/državne propise. Ova garancija se ne odnosi na kvarove ili oštećenja prouzrokovana pogrešnom upotrebom, zloupotrebom ili normalnim trošenjem i habanjem. U slučaju žalbe, molimo vas da nerastavljeni električni alat sa GARANTNIM SERTIFIKATOM, koji se nalazi na kraju uputstva za upotrebu, pošaljete ovlašćenom servisu kompanije HiKOKI.

Informacije o buci i vibracijama u vazduhu

Izmerene vrednosti su utvrđene na osnovu EN62841 i objavljene u skladu sa ISO 4871.

Izmereni A-ponderisani nivo jačine zvuka: 107 dB (A)

Izmereni A-ponderisani nivo zvučnog pritiska: 96 dB (A)

Odstupanje K: 3 dB (A).

Nosite zaštitu za sluh.

Ukupne vrednosti vibracija (troosni vektorski zbir) utvrđene na osnovu EN62841.

Vrednost emisije vibracija: 15,5 m/s²

Odstupanje K = 1,5 m/s²

Deklarisana ukupna vrednost vibracije i deklarisanu vrednost emisije buke izmereni su u skladu sa metodom standardnog testiranja i mogu da se koriste za upoređivanje jednog alata sa drugim.

Takođe mogu da se koriste u preliminarnoj proceni izloženosti.

UPOZORENJE

- Vibracija i emisija buke u toku pravog korišćenja električnog alata može da se razlikuje od deklarisanu ukupne vrednosti u zavisnosti od načina na koji se alat koristi, naročito kakva vrsta radnog dela se obrađuje; i
- Odredite mere bezbednosti za zaštitu rukovaoca i to na osnovu procene izloženosti stvarnim uslovima korišćenja (uzimajući u obzir sve faze radnog ciklusa kao što su vreme kada će alat biti isključen, vreme rada u praznom hodu i vreme uključivanja).

NAPOMENA

Zbog neprekidnog programa istraživanja i razvoja kompanije HiKOKI, ovde navedene specifikacije su podložne izmenama bez prethodnog obaveštenja.

OPĆENITA SIGURNOSNA UPOZORENJA ZA ELEKTRIČNE ALATE

⚠ UPOZORENJE

Pročitajte sva sigurnosna upozorenja, upute, ilustracije i specifikacije isporučene s ovim električnim alatom. Nepoštivanje upozorenja i uputa može uzrokovati strujni udar, požar i/ili teške ozljede.

Sačuvajte sva upozorenja i upute za ubuduće.

Izraz »električni alat« u upozorenjima odnosi se na električni alat priključen na mrežu (žični) ili na električni alat koji radi na baterije (bežični).

1) Sigurnost radnog mjesta

- Radno mjesto održavajte čistim i dobro osvijetljenim.**
Nered ili neosvijetljeno radno mjesto uzrokuju nesreće.
- Električni alat ne koristite u eksplozivnim okruženjima kao što su prisutnost zapaljivih tekućina, plinova ili prašine.**
Električni alati proizvodi iskre koje mogu zapaliti prašinu ili pare.
- Djecu i ostale osobe držite podalje tijekom korištenja električnog alata.**
Nepažnja može uzrokovati gubitak kontrole.

2) Električna sigurnost

- Utikači električnog alata moraju odgovarati utičnicama na koje se priključuju. Ni na koji način nemojte mijenjati električni utikač. Ne koristite adapterske utikače s uzemljenim električnim alatom.**
Neizmijenjeni utikači i odgovarajuće utičnice smanjuju opasnost od strujnog udara.
- Izbjegavajte dodir tijela s uzemljenim površinama kao što su cijevi, radijatori i hladnjaci.**
Postoji povećana opasnost od strujnog udara ako je vaše tijelo uzemljeno.
- Električni alat ne izlažite kiši i vlazi.**
Ulazak vode u električni alat povećava rizik od strujnog udara.
- Ne zlorabite kabel. Nikada ne koristite kabel za nošenje, povlačenje ili izvlačenje utikača iz utičnice.**
Držite kabel podalje od izvora topline, ulja, oštih rubova ili pomičnih dijelova.
Oštećen ili zapetljan kabel povećava opasnost od strujnog udara.
- Kada električni alat koristite na otvorenom, koristite samo produžni kabel odobren za uporabu na otvorenom.**
Uporaba kabela prikladnog za uporabu na otvorenom smanjuje opasnost od strujnog udara.
- Ako je neizbježno korištenje električnog alata na vlažnom mjestu, koristite zaštitne strujne sklopke (FID sklopke).**
Uporaba FID sklopke smanjuje rizik od strujnog udara.

3) Osobna sigurnost

- Budite na oprezu, paziti što radite i koristiti zdrav razum prilikom korištenja električnog alata.**
Električni alat ne koristite ako ste umorni ili pod utjecajem droga, alkohola ili lijekova.
Trenutak nepažnje prilikom uporabe električnog alata može uzrokovati ozbiljne ozljede.


- Koristiti osobnu zaštitnu opremu. Uvijek nosite zaštitne naočale.**
Zaštitna oprema, kao što su maske za prašinu, zaštitne cipele otporne na klizanje, kacige ili zaštita sluha, ako se koriste u odgovarajućim uvjetima smanjuju opasnost od nezgoda.
 - Spriječite nehotično pokretanje. Provjerite je li prekidač u isključenom položaju prije spajanja na izvor napajanja i/ili baterije, prije nego uhvatite alat ili prije nošenja alata.**
Nošenje električnih alata s prstom na prekidaču ili priključenih električnih alata čiji prekidač je uključen uzrokuje nesreće.
 - Uklonite sav alat za podešavanje ili ključeve prije nego što uređaj uključite.**
Alat ili ključ koji se nalazi u rotirajućem dijelu alata može uzrokovati ozljede.
 - Ne istezite se kako biste dosegli radno mjesto. Održavajte odgovarajuće uporište i ravnotežu u svim vremenima.**
To omogućuje bolju kontrolu električnog alata u neočekivanim situacijama.
 - Nosite prikladnu odjeću. Ne nosite široku odjeću ili nakit. Držite kosu i odjeću podalje od pokretnih dijelova.**
Pokretni dijelovi mogu zahvatiti široku odjeću, nakit ili dugu kosu.
 - Ako postoje uređaji za priključenje usisivača prašine i uređaji za sakupljanje, provjerite jesu li priključeni i koristite li se na ispravan način.**
Korištenje uređaja za skupljanje prašine može smanjiti opasnosti povezane s prašinom.
 - Nemojte dopustiti da zbog znanja stečenoga čestom uporabom alata postanete previše sigurni i zanemarite sigurnosna načela alata.**
Neoprezna radnja može dovesti do ozbiljne ozljede u djeliću sekunde.
- #### 4) Uporaba i njega električnog alata
- Ne silite električni alat. Koristite odgovarajući električni alat za radnju koju treba obaviti.**
Ispravan električni alat posao će obaviti bolje i sigurnije, pod uvjetima za koje je dizajniran.
 - Ne koristite električni alat ako se ne može uključiti i isključiti prekidačem.**
Bilo koji električni alat koji se ne može kontrolirati pomoću prekidača je opasan i treba ga popraviti.
 - Izvucite utikač iz mrežne utičnice i/ili uklonite bateriju (ako je uklonjiva) iz električnog alata prije podešavanja, zamjene pribora ili odlaganja uređaja.**
Ovim mjerama opreza smanjit ćete rizik od slučajnog pokretanja uređaja.
 - Električni alat koji se ne koristi čuvajte izvan dohvata djece i ne dopustite da alat koriste osobe koje nisu upoznate s načinom rada ili ovim uputama.**
Električni alat je opasan ako ga koriste neiskusne osobe.
 - Održavanje električnih alata i dodataka.**
Provjerite neusklađene ili povezane pokretne dijelove, eventualno polomljene dijelove i sve druge čimbenike koji mogu utjecati na rad električnog alata. Ako je oštećen, alat dajte popraviti prije uporabe.
Mnoge nesreće uzrokovane su loše održanim električnim alatima.
 - Alat za rezanje održavajte oštirim i čistim.**
Ispravno održavani alat za rezanje s oštirim oštricama neće se zaglaviti i lakše će se kontrolirati.

- g) Koristite električni alat, pribor i nastavke, itd. u skladu s ovim uputama, uzimajući u obzir radne uvjete i radove koji se izvode.
Uporaba električnog alata za namjene za koje alat nije predviđen može uzrokovati opasne situacije.
- h) **Održavajte ručke i držeće površine suhima, čistima i bez ulja i masti.**
Sliske ručke i držeće površine ne omogućuju sigurno rukovanje i kontrolu alata u neočekivanim situacijama.
- 5) **Uporaba i njega električnog alata s baterijama**
- a) **Baterije puniti samo pomoću punjača koji je odredio proizvođač.**
Punjač koji je prikladan za jednu vrstu baterije može uzrokovati opasnost od požara ako se koristi s drugom baterijom.
- b) **Električni alat koristite samo s izričito za te alate određenim baterijama.**
Uporaba s bilo kojim drugim baterijama može uzrokovati rizik od ozljeda i požara.
- c) **Kada se baterija ne koristi, držite je podalje od drugih metalnih predmeta kao što spajalice, kovanice, ključevi, čavli, vijci ili drugi sitni metalni predmeti koji mogu uspostaviti vezu između terminala baterije.**
Kratko spajanje terminala baterije može uzrokovati opekline ili požar.
- d) **U slučaju primjene sile, iz baterija može prsnuti tekućina. Izbjegavajte kontakt s tom tekućinom. Ako slučajno dođe do kontakta, isperite vodom. Ako tekućina dospije u oči, dodatno potražiti liječničku pomoć.**
Tekućina iz baterije može uzrokovati iritacije ili opekline.
- e) **Nemojte koristiti bateriju ili alat koji je oštećen ili izmijenjen.**
Oštećene ili izmijenjene baterije se mogu nepredvidivo ponašati što može prouzročiti požar, eksploziju ili opasnost od ozljede.
- f) **Nemojte izlagati bateriju ili alat vatri ili pretjeranoj temperaturi.**
Izloženost vatri ili temperaturi iznad 130°C može uzrokovati eksploziju.
- g) **Slijedite sve upute za punjenje i nemojte puniti bateriju ili alat izvan raspona temperature navedene u uputama.**
Pogrešno punjenje ili pri temperaturama izvan određenog raspona može oštetiti bateriju i povećati opasnost od požara.
- 6) **Servisiranje**
- a) **Servisiranje električnog alata prepustite isključivo kvalificiranom osoblju uz korištenje identičnih rezervnih dijelova.**
Na taj će se način osigurati sigurnost električnog alata.
- b) **Nikada nemojte servisirati oštećene baterije.**
Servis baterija smije izvoditi samo proizvođač ili ovlašteni davatelj usluga.
- OPREZ**
Djecu i nemoćne osobe držite podalje od uređaja. Kad se ne koristi, alat treba držati izvan dohvata djece i nemoćnih osoba.

SIGURNOSNA UPOZORENJA ZA AKUMULATORSKI ČEKIČ ZA ČAVLE

- Uvijek pretpostavite da alat sadrži čavle.**
Neoprezno rukovanje čekićem za čavle može rezultirati neočekivanim ispaljivanjem čavala i ozljedama.
- Nemojte usmjeravati alat prema sebi ni ikome u blizini.**
Neočekivano pokretanje će ispaliti čavao uzrokujući ozljedu.
- Nemojte aktivirati alat osim ako alat nije čvrsto postavljen na izradak.**
Ako alat ne dodiruje izradak, čavao može skrenuti daleko od vaše mete.
- Iskločite alat iz izvora napajanja kada čavao zaglavi u alatu.**
Tijekom uklanjanja zaglavljenoj čavli, čekić za čavle se može slučajno aktivirati ako je ukopčan.
- Nemojte koristiti ovaj čekić za čavle za pričvršćivanje električnih kabela.**
Nije namijenjen za instalaciju električnih kabela i može oštetiti izolaciju električnih kabela čime uzrokuje električni udar ili opasnost od požara.
- Nosite zaštitu za uši**
Izloženost buci može uzrokovati gubitak sluha.
- Koristite dodatnu ručku/ručke ukoliko su isporučene s alatom.**
Gubitak kontrole može uzrokovati ozljede.
- Električni alat držite na izoliranim površinama za držanje prilikom izvođenja operacija pri kojima zatezači može doći u kontakt sa skrivenim žicama.**
Zatezači koji dođu u kontakt sa žicama pod naponom mogu pod napon staviti izložene metalne dijelove uređaja, te tako uzrokovati strujni udar.

DODATNA SIGURNOSNA UPOZORENJA

- Pazite da alat čvrsto držite tijekom rada.**
Nepridržavanje ovih naputaka može uzrokovati nezgode ili ozljede. (SI. 12)
- Siguran rad kroz pravilnu upotrebu.**
Ovaj alat je dizajniran za zabijanje čavala u drvo i slične materijale. Koristite ga samo za namijenjenu svrhu.
- Pazite se od zapaljenja i eksplozija.**
Budući da iskre mogu letjeti tijekom zakucavanja, opasno je koristiti ovaj alat u blizini lakova, boje, benzina, razrjeđivača, benzina, plina, ljepila i sličnih zapaljivih tvari jer se mogu zapaliti ili eksplodirati. Stoga se ovaj alat ni pod kojim uvjetima ne smije koristiti u blizini takvog zapaljivog materijala.
- Uvijek nosite zaštitu za oči (zaštitne naočale).**
 Prilikom rukovanja električnim alatom, uvijek nosite zaštitu za oči i osigurajte da ljudi koji vas okružuju također nose zaštitu za oči.
Mogućnost da komadići čavla koji nisu pravilno zakucani uđu u oči predstavljaju prijetnju očima. Zaštita za oči može se kupiti u bilo kojoj željezariji. Uvijek koristite zaštitu za oči tijekom rada s ovim alatom. Koristite zaštitu za oči ili široku masku preko naočala za vid.
Poslodavci bi uvijek trebali primoravati na upotrebu opreme za zaštitu očiju.
- Zaštite uši i glavu.**
Kada radite na zakucavanju čavala, molimo vas da nosite prigušivače za uši i zaštitu za glavu. Također, ovisno o stanju, pobrinite se da ljudi koji vas okružuju također nose prigušivače za uši i zaštitu za glavu.

6. **Obratite pozornost na one koji rade u vašoj blizini.** Bilo bi vrlo opasno da čavli koji nisu ispravno zakucani pogode druge ljude. Stoga, uvijek pazite na sigurnost ljudi oko vas kada koristite ovaj alat. Uvijek pazite da ničije tijelo, ruke ili noge nisu blizu otvora za čavle.
7. **Nikada ne usmjeravajte otvor za čavle prema ljudima.**



Uvijek pretpostavite da alat sadrži zatezače.

Ako je otvor za čavle usmjeren prema ljudima, može doći do ozbiljnih nesreća ako slučajno ispalite alat. Pri spajanju i odspajanju baterije, tijekom punjenja čavlima ili sličnim operacijama, pazite da otvor za čavle nije usmjeren prema nikome (uključujući i sebe). Čak i kada uopće nije punjen s čavlima, opasno je ispaliti alat usmjeren prema nekome, stoga to nikada ne pokušavajte učiniti. Bez divljanja. Poštujte alat kao radni pribor.

8. **Provjerite šipku prije uporabe.** Provjerite radi li šipka ispravno. Nikada nemojte koristiti čekić za čavle ako šipka ne radi ispravno, inače čekić za čavle može neočekivano ispaliti čavao. Nemojte manipulirati sa šipkom ili ju ukloniti, inače šipka postaje neupotrebljiva.
9. **Koristite samo navedene čavle.** Nikada nemojte koristiti čavle osim onih navedenih i opisanih u ovim uputama.
10. **Budite oprezni pri spajanju baterije.** Prilikom spajanja baterije i punjenja čavlima, kako ne biste slučajno ispalili alat, pobrinite se za sljedeće.
- Nemojte dirati okidač.
 - Nemojte dopustiti da glava za ispaljivanje bude u kontaktu s bilo kojom površinom.
 - Držite glavu za ispaljivanje prema dolje. Strogo se pridržavajte gore navedenih uputa i uvijek pazite da nikada nijedan dio tijela, ruke ili noge nisu nasuprot otvora za čavle.
11. **Nemojte nemarno stavljati prst na okidač.** Nemojte stavljati prst na okidač, osim kada zapravo zakucavate čavle. Ako nosite ovaj alat ili ga predajete nekome dok imate prst na okidaču, možete nenamjerno ispaliti čavao i time izazvati nesreću.
12. **Čvrsto pritisnite otvor za čavle na materijal na koji želite zakucati čavao.** Prilikom zakucavanja čavala, čvrsto pritisnite otvor za čavle na materijal na koji želite zakucati čavao. Ako je otvor neispravno postavljen, čavli se mogu odbijati.
13. **Pri korištenju držite ruke i noge daleko od glave za ispaljivanje.**



Veoma je opasno da čavao slučajno pogodi ruke ili noge.

14. **Čuvajte se trzaja alata.** Nemojte približavati glavu vrhu alata itd. tijekom rada. To je opasno jer alat može naglo trznuti ako čavao koji se trenutno zakucava dođe u dodir s prethodnim čavlom ili čvorom u drvu.
15. **Pazite prilikom zakucavanja tankih ploča ili uglova drva.** Kada zakucavate tanke ploče, čavli mogu proći ravno kroz ploču, kao što to može biti slučaj i kod zakucavanja uglova drva zbog devijacije čavala. U takvim slučajevima uvijek pazite da nema nikoga (i ničijih ruku ili nogu, itd.) iza tanke ploče ili pored drva koje ćete zakucavati.
16. **Istodobno zakucavanje na obje strane istog zida je opasno.** Zakucavanje se ni pod kojim okolnostima ne smije izvoditi na obje strane zida u isto vrijeme. To bi bilo vrlo opasno jer čavli mogu proći kroz zid i tako uzrokovati ozljede.

17. **Nemojte koristiti električni alat na skelama, ljestvama.**

Električni alat se ne smije koristiti za određenu primjenu, na primjer:

- kada promjena lokacije zakucavanja uključuje upotrebu skela, stepenica, ljestvi ili konstrukcija nalik ljestvama, npr. krovne letvice,
- zatvaranje kutija ili sanduka,
- ugradnju sigurnosnih sustava za transport, npr. na vozilima i vagonima

18. **Uklonite sve preostale čavle i bateriju iz čekića za čavle kada:**

- 1) radite održavanje i inspekciju;
- 2) provjeravate pravilan rad šipke i okidača;
- 3) uklanjate zaglavljenosti;
- 4) nije u uporabi;
- 5) napuštate radno mjesto;
- 6) premješate ga na drugu lokaciju; i
- 7) predajete ga drugoj osobi.

Nikada ne pokušavajte ukloniti zaglavljenosti ili popraviti čekić za čavle ako niste uklonili bateriju i sve preostale čavle iz čekića za čavle.

Čekić za čavle nikada ne smije biti ostavljen bez nadzora jer ljudi koji nisu upoznati s čekićem za čavle ga mogu koristiti i ozlijediti se.

19. **Pri čišćenju električnog alata nemojte koristiti benzin ili druge zapaljive tekućine.**

Ako pare iz zapaljive tekućine ude u električni alat, postoji opasnost da iskre nastale pri klanjanju itd. uzrokuju eksploziju.

20. **Radno okruženje za ovaj uređaj je između 0°C i 40°C stoga osigurajte korištenje unutar ovog temperaturnog raspona. Uređaj može ne raditi ispod 0°C ili iznad 40°C.**

21. **NIKADA ne dopustite da se magneti (ili slični magnetski uređaji) nađu neposredno pored čekića za čavle jer čekić za čavle ima magnet unutra.**

To će uzrokovati kvar ili rizik od ozljeda zbog neispravnosti.

22. **Održavanje uređaja nakon kontinuiranog rada.**
23. **Električna jedinica je opremljena zaštitnim temperaturnim krugom za zaštitu motora.** Kontinuirani rad može izazvati porast temperature jedinice, aktivaciju zaštitnog temperaturnog kruga i automatsko zaustavljanje radnje. Ako se ovo dogodi, dopustite da se alat ohladi prije ponovne uporabe.

24. **Ovaj proizvod može prestati raditi kada se otkrije nepravilnost.**

25. **Ne gledajte izravno u svjetlo.** Takvi postupci mogu dovesti do ozljede oka.

Mekanom krpom obrišite svu prljavštinu ili čađu priključenu na leću LED svjetla, pazite da ne izgrebete leću.

Ogrobotine na leći LED svjetla mogu dovesti do smanjene svjetlosti.

MJERE OPREZA ZA BATERIJU I PUNJAČ

1. **Bateriju uvijek punite na sobnoj temperaturi od 0-40°C.** Temperatura ispod 0°C uzorkovat će prekomjernim punjenjem koje može biti vrlo opasno. Baterija se ne može puniti na temperaturi većoj od 40°C. Najprikladnija temperatura za punjenje je 20-25°C.
2. **Ne koristite punjač kontinuirano.** Nakon završetka punjenja, ostavite punjač da se ohladi oko 15 minuta prije sljedećeg punjenja baterije.
3. **Ne dopustite da u rupu za priključivanje punjive baterije uđu strani predmeti.**

Hrvatski

- 4. Nikada ne rastavljajte punjivu bateriju ili punjač.**
- 5. Nikada nemojte kratko spojiti punjive baterije.**
Kratko spajanje baterije proizvest će veliku struju i dovesti do pregrijavanja. To dovodi do opekline ili oštećenja baterije.
- 6. Baterije ne bacajte u vatru.**
Ako baterija ne izgori, može eksplodirati.
- 7. Korištenje istrošene baterije oštetit će punjač.**
- 8. Bateriju odnesite u trgovinu u kojoj je kupljena čim trajanje pražnjenja baterije nakon ponovnog punjenja postane prekratko za praktičnu uporabu.**
Istrošene baterije ne bacajte zajedno s ostalim smećem.
- 9. U ventilacijske otvore punjača ne umećite strane predmete.**
Umetanje metalnih predmeta ili zapaljivih tvari u ventilacijske otvore punjača uzrokovat će strujni udar ili oštećenje punjača.

MJERE OPREZA ZA LITIJ-IONSKE BATERIJE

U svrhu produljenja vijeka trajanja, litij-ionska baterija opremljena je zaštitom za prekidanje izlazne struje.

U dolje opisanim slučajevima 1 do 3, prilikom korištenja ovoga proizvoda, čak i kada držite prekidač, motor se može zaustaviti. To nije indikacija problema u radu već rezultat zaštitne funkcije.

- Kada se baterija istroši, motor se zaustavlja.
U tom je slučaju odmah napunite.
- Ako je alat preopterećen, motor se može zaustaviti.
U tom slučaju pustite prekidač alata i otklonite uzrok preopterećenja. Nakon toga alat možete ponovno koristiti.
- Ako se baterija pregrije uslijed rada pod preopterećenjem, baterija može prestati davati struju.
U tom slučaju prestanite koristiti bateriju i sačekajte da se ohladi. Nakon toga alat možete ponovno koristiti.

Nadalje, molimo vas da obratite pažnju na sljedeća upozorenja i mjere opreza.

UPOZORENJE

Kako bi se spriječio curenje baterije, pregrijavanje, dimljenje, eksplozija i zapaljenje, molimo vas da se pridržavate sljedećih mjera opreza.

- Pazite da se strugotine i prašina ne nakupljaju na bateriji.
 - Tijekom rada pazite da strugotine i prašina ne padaju na bateriju.
 - Pazite da se strugotine i prašina koji tijekom rada alata padnu na bateriju ne nakupljaju na bateriji.
 - Nekorišteni bateriju ne skladištite na mjestima izloženima strugotinama i prašini.
 - Prije skladištenja baterije, uklonite strugotine i prašinu s baterije i ne skladištite zajedno s metalnim dijelovima (vijci, čavli, itd.).
- Ne bušite bateriju oštrim predmetima, primjerice čavlima, ne udarajte čekićem, ne gazite, ne bacajte i ne izlažite bateriju teškim udarcima.
- Ne koristite vidljivo oštećenu ili deformiranu bateriju.
- Ne koristite baterije obrnutog polariteta.
- Ne spajajte izravno na električnu utičnicu ili priključnicu upaljača u automobilu.
- Bateriju ne koristite u svrhe za koje nije namijenjena.
- Ako se punjenje baterije ne završi niti nakon isteka navedenog vremena punjenja, odmah prekinite daljnje punjenje.
- Bateriju ne izlažite visokim temperaturama ili visokom tlaku i ne stavljajte u mikrovvalne pećnice, sušilice ili spremnike pod visokim tlakom.
- Držite podalje od vatre čim otkrijete da baterija curi ili osjetite neugodan miris.
- Ne koristite na mjestima na kojima se generira jak statički elektricitet.

- Ako dođe do curenja baterije, neugodnog mirisa, zagrijavanja, promjene boje ili oblika baterije, ili se baterija na bilo koji način promijeni tijekom korištenja, punjenja ili skladištenja, odmah je izvadite iz uređaja ili punjača i prekinite uporabu.
- Nemojte uranjati bateriju ili dopustiti da bilo kakve tekućine uđu unutra. Prodor vodljive tekućine, kao što je voda, može uzrokovati oštećenja koja mogu dovesti do požara ili eksplozije. Čuvajte bateriju na hladnom i suhom mjestu, dalje od gorivih i zapaljivih predmeta. Moraju se izbjeći atmosfere korozivnog plina.

POZOR

- Ako tekućina koja curi iz baterije dospije u oči, nemojte trljati oči i odmah ih dobro isperite čistom vodom, kao je voda iz slavine, te odmah potražite pomoć liječnika. Ako se ne liječi, tekućina može uzrokovati probleme s vidom.
- Ako tekućina iscuri po koži ili odjeći, odmah dobro isperite čistom vodom, kao što je voda iz slavine. Postoji mogućnost iritacije kože.
- Ukoliko prilikom prvog korištenja baterije otkrijete hrđu, neugodan miris, pregrijavanje, promjenu boje, deformacije, i/ili druge nepravilnosti, ne koristite i vratite dobavljaču ili prodavaču.

UPOZORENJE

Ako u terminal litij-ionske baterije dospije provodljivi materijal, baterija se može kratko spojiti i prouzročiti požar. Kod skladištenja litij-ionske baterije svakako se pridržavajte sljedećih pravila.

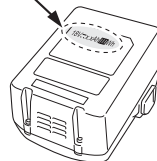
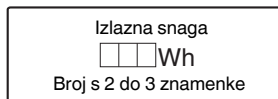
- U kutije za spremanje ne stavljajte vodljive materijale kao što su čavli i željezna ili bakrena žica.
- Kako bi se spriječio kratki spoj, bateriju stavite u alat ili čvrsto pričvrstite poklopac baterije za spremanje sve dok se ventilator ne pokrije (**SI 2**).

U POGLEDU TRANSPORTA LITIJ-IONSKE BATERIJE

Prilikom transporta litij-ionske baterije, molimo pridržavajte se sljedećih mjera opreza.

UPOZORENJE

- Obavijestite tvrtku za transport da paket sadrži litij-ionsku bateriju, informirajte tvrtku o njenoj izlaznoj snazi i sljedite upute tvrtke za transport prilikom dogovaranja transporta.
- Litij-ionske baterije čija izlazna snaga prelazi 100 Wh klasificiraju se kao opasni teret i zahtijevaju primjenu posebnih procedura.
 - Za transport u inozemstvo, morate postupati u skladu s međunarodnim zakonima te pravilima i propisima određene zemlje.
















NAZIVI DIJELOVA (SI. 1 – SI. 12)

①	Glava za zakucavanje (otvor)
②	Šipka
③	LED svjetlo
④	Okidač
⑤	Kuka
⑥	Baterija
⑦	Brava
⑧	Poklopac baterije
⑨	Terminali
⑩	Ventilacijske rupe
⑪	Punjač
⑫	Glava čavla
⑬	Osovina čavla
⑭	Vrh čavla
⑮	Magnet
⑯	Magnetizirano područje
⑰	Čavao
⑱	Pogonska jedinica
⑲	Metalni spoj
⑳	Rupa
㉑	Vijak
㉒	Utor
㉓	Kliješta

SIMBOLI

UPOZORENJE

Za uređaj se koriste sljedeći simboli. Uvjerite se da prije uporabe razumijete njihovo značenje.

	NH18DSL: Akumulatorski čekić za čavle
	Kako bi smanjio opasnost od ozljede, korisnik mora pročitati priručnik za uporabu.
	Operatori i ostali u radnom području moraju nositi sigurnosne naočale s bočnim štitovima.
	Nikad ne usmjeravajte alat na sebe ili ostale u radnom području.
	Odspojite bateriju
	Nemojte ga koristiti na skelama, ljestvama.
	Samo za zemlje EU Električni alat ne bacajte zajedno s ostalim kućnim otpadom! Sukladno europskim direktivama 2012/19/EU o otpadnoj električnoj i elektroničkoj opremi, te provedbi u skladu s nacionalnim zakonima i propisima, električni alat i baterije koji su dostigli kraj korisnog radnog vijeka potrebno je prikupljati odvojeno i predati u ustanove za recikliranje.
	Jednosmjerna struja
	Težina (Prema EPTA postupku 01/2014)
	Uključivanje
	Isključivanje
	Upozorenje
	Zabranjena radnja

SPECIFIKACIJE

1. Akumulatorski čekić za čavle

Model	NH18DSL
Napon	18 V
Broj udaraca	4000 min ⁻¹
Primjenjivi čavao	ø1,7 – 4,1 mm (vidi tablicu 1)*1
Duljina primjenjivog čavla	25 mm do 90 mm*1
Težina*2	1,3 – 1,9 kg
Dimenzija Visina x Duljina	135 mm x 285 mm (BSL1815)

*1: Za razliku od drveta: SPF, Cedar

Možda neće moći u potpunosti zabiti čavao u tvrde materijale kao što su smreka, medijapan ili laminirano drvo.

*2: Težina: Prema EPTA-Procudura 01/2014. Ovisno o priključenoj bateriji. Najveća težina je izmjerena s BSL36B18 (prodaje se zasebno).

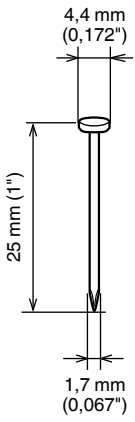
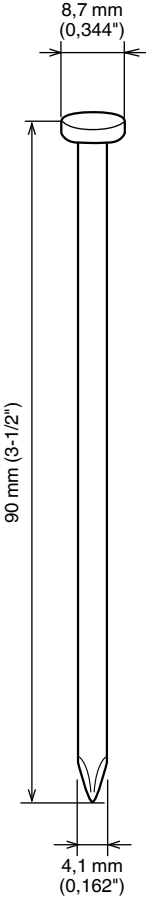
NAPOMENA

Zbog kontinuiranog programa istraživanja i razvoja tvrtke HiKOKI, ovdje navedene specifikacije mogu se promijeniti bez prethodne najave.

ASORTIMAN ČAVALA

Koristite čavle u slijedećim veličinama za ovaj čekić za čavle.

Tablica 1

Min.	Maks.
 <p>4,4 mm (0,172")</p> <p>25 mm (1")</p> <p>1,7 mm (0,067")</p>	 <p>8,7 mm (0,344")</p> <p>90 mm (3-1/2")</p> <p>4,1 mm (0,162")</p>

UPOZORENJE

- Nemojte koristiti čavle u bilo kojim drugim veličinama. Oni mogu oštetiti šipku ili biti ispaljeni u kosom smjeru.
- Pazite na veličinu glave čavla. Veličina glave čavla može varirati između velikih i malih s komercijalno dostupnim velikim pakiranjima čavala.
- Nemojte koristiti stvrdnute čavle.

NAPOMENA

- Možda neće moći u potpunosti zabiti čavao u tvrde materijale kao što su smreka, medijapan ili laminirano drvo.

STANDARDNA OPREMA

UPOZORENJE

- Dodaci osim onih koji su prikazani u nastavku mogu dovesti do kvara i rezultirati ozljedama.

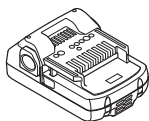
- ① Zaštita za oči..... 1



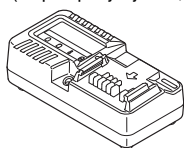
NAPOMENA: Dodaci su podložni promjenama bez ikakve obaveze od strane tvrtke HIKOKI.

DODATNA OPREMA (PRODAJE SE ODVOJENO)

1. Baterija
○ BSL1815



2. Punjač
○ UC18YKSL (Napon punjenja: 14,4 V – 18 V)



Dodatna oprema može se promijeniti bez prethodne najave.

VRSTE PRIMJENE

- Drveni materijali u općoj konstrukciji, priboru, drvenim palubama, okvirima i obnovi

PUNJENJE

Baterija i punjač za bateriju nisu uključeni uz ovaj proizvod. Za punjive baterije, molimo puniti prema uputama za rukovanje punjača koji koristite. (SI. 5)

MONTAŽA I RAD

Aktivnost	Slika	Stranica
Umetanje i uklanjanje baterije	3	2
Rad s prekidačima	4	2
Punjenje	5	3
Provjera rada šipke*1	6	3
Ispaljivanje držanjem čavla s magnetom*2	7	3
Ispaljivanje držanjem čavla s prstima.*3	8	3
Učvršćivanje čavla na metalni zglob*4	9	4
Korištenje kuke*5	10	4
Uklanjanje zaglavljenosti	11	4
Odabir pribora	—	199

*1 UPOZORENJE

- Provjerite da šipka glatko klizi tijekom rada. Očistite klizno područje na šipci ako ne klizi glatko.

*2 UPOZORENJE

- Pri punjenju šipke s čavlima, držite osovinu čavla umjesto vrha.
- Pri punjenju šipke s čavlima, provjerite da ne pritišće vrh pogonske jedinice.
- Pri punjenju šipke s čavlima, nemojte stavljati prste ni ruke ispod vrha čavla.

*3 UPOZORENJE

- Pri ispaljivanju čavla držeći ga prstima, najprije stavite vrh čavla na metu i zatim umetnite šipku na glavu čavla.

*4 UPOZORENJE

- Pri ispaljivanju čavla pazite da je vrh čavla u rupi metalnog zgloba.

*5 POZOR

- Kada koristite kuku, čvrsto objesite električni alat da slučajno ne padne. Ako električni alat ispadne, može doći do nesreće.
- Provjerite je li baterija uklonjena kada koristite kuku.
- Sigurno instalirajte kuku. Ukoliko kuka nije čvrsto instalirana, može uzrokovati ozljede prilikom uporabe.

POZOR

Pri zakivanju čavla, radite kratko vrijeme i izbjegavajte kontinuirani rad. U suprotnom može doći do kvara ili curenja masti.

ODRŽAVANJE I INSPEKCIJA

POZOR

Prije održavanja i inspekcije, izvadite bateriju iz čekića za čavle.

UPOZORENJE

- Odvojite bateriju i uklonite čavle iz čekića za čavle kada:
 - 1) radite održavanje i inspekciju; i
 - 2) uklanjate zaglavljenosti.
- Bez spajanja baterije, pritiskom vrha šipke na materijal kao što je drvo provjerite da li se šipka stalno kreće.

1. Uklanjanje zaglavljenosti (SI. 11)

- ① Uklonite bateriju iz čekića za čavle.
- ② Uklonite zaglavljeni čavao s klijestima.
- ③ U slučaju čestog zaglavljivanja, kontaktirajte ovlašten servisni centar HIKOKI.

2. Provjera šipke (SI. 6)

Povremeno očistite i podmažite klizni dio šipke i utora. Provjerite da li se šipka glatko kreće, pritiskom čekića za čavle na materijal kao što je drvo.

Kada se željezni prah ili slično prilijepe na magnetizirano područje unutar šipke, može se smanjiti snaga magnetskog držanja čavla. Obrisite područje krpom ili ljepljivom vrpcom ponekad.

Također, obrišite krpom željezni prah na magnetu izvan šipke ili ljepljivom vrpcom ponekad.

To rad šipke čini glatkim.

3. Provjera vijaka

Redovito pregledavajte sve vijke i osigurajte da su pravilno zategnuti. Ukoliko se bilo koji vijak otpusti, odmah ga zategnite. Nepridržavanje ovih naputaka može uzrokovati ozbiljne opasnosti.

4. Održavanja motora

Jedinica s namotom motora samo je "srce" električnog alata.

Posebno pazite da se namot ne ošteti i/ili smoči djelovanjem ulja ili vode.

5. Vanjsko čišćenje

Kad je električni alat prljav, obrišite mekom suhom krpom ili krpom navlaženom sapunicom. Ne koristite otapala na bazi klora, benzin ili razrjeđivač, jer otapaju plastiku.

6. Skladištenje

Električni alat i bateriju čuvajte na mjestu na kojem je temperatura manja od 40°C i izvan dosega djece.

NAPOMENA

Skladištenje litij-ionskih baterija.

Uvjerite se da su litij-ionske baterije napunjena prije nego ih spremite.

Dugotrajno skladištenje (3 mjeseca ili duže) baterija s niskim nabojem može dovesti do pogoršanja performansi, značajno smanjiti korisno vrijeme baterije ili uzrokovati nemogućnost baterije da zadrži punjenje.

Međutim, značajno smanjeno vrijeme korištenja baterije može se oporaviti višekratnim punjenjem i korištenjem baterije dva do pet puta.

Ako je vrijeme trajanja baterije izuzetno kratko unatoč ponovljenom punjenju i uporabi, baterija je najvjerojatnije istrošena. U tom slučaju nabavite novu bateriju.

POZOR

U radu i održavanju električnih alata morate se pridržavati propisa o sigurnosti i standarda propisanih u svakoj zemlji.

Važna obavijest za baterije za HiKOKI bežični električni alat

Molimo uvijek koristite naše originalne baterije. Ne možemo jamčiti sigurnost i učinkovitost našeg bežičnog električnog alata ako se koristi s drugim baterijama, ili kad se baterije rastavljaju i mijenjaju (kao što je demontaža i zamjena ćelija ili drugih unutarnjih dijelova).

JAMSTVO

Jamčimo da HiKOKI električni alat udovoljava zakonskim propisima. Ovo jamstvo ne pokriva oštećenja nastala pogrešnom uporabom, zlorabom, ili normalnim trošenjem. U slučaju prigovora, nerastavljen električni alat zajedno s POTVRDOM O JAMSTVU na kraju ovih uputa pošaljite ovlaštenom HiKOKI servisu.

Informacije o buci i vibracijama

Izmjerene vrijednosti određene su sukladno EN62841 i u skladu s normom ISO 4871.

Izmjerena razina zvučne snage A: 107 dB (A)

Izmjerena razina zvučnog tlaka A: 96 dB (A)

Nesigurnost K: 3 dB (A).

Nosite zaštitu sluha.

Ukupne vrijednosti vibracija (zbroj triju vektora) određene prema EN62841.

Vrijednost emisije vibracija: 15,5 m/s²

Nesigurnost K = 1,5 m/s²

Deklarirana ukupna vrijednost vibracije i deklarirana vrijednost emisije buke izmjereni su u skladu sa standardnim metodama ispitivanja, a mogu se koristiti za međusobne usporedbe alata.

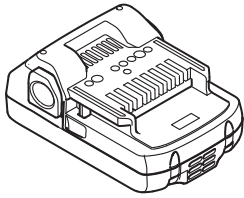
Također se mogu koristiti za preliminarnu procjenu izloženosti.

UPOZORENJE

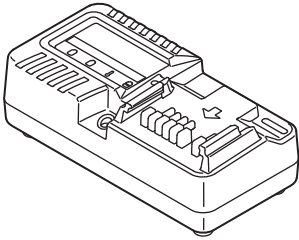
- Vibracija i emisija buke prilikom stvarnog korištenja električnog alata mogu se razlikovati od deklarirane ukupne vrijednosti ovisno o načinima na koje se alat koristi, osobito o vrsti izratka koji se obrađuje; i
- Osigurajte sigurnosne mjere zaštite za osobe koje koriste alat, a koje se temelje na procjeni izloženosti u stvarnim uvjetima uporabe (uzimajući u obzir sve dijelove operativnog ciklusa, kao što su vremena kada je uređaj isključen, i kada radi u praznom hodu, zajedno s vremenom aktivnog korištenja).

NAPOMENA

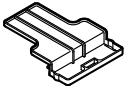
Zbog kontinuiranog programa istraživanja i razvoja tvrtke HiKOKI, ovdje navedene specifikacije mogu se promijeniti bez prethodne najave.



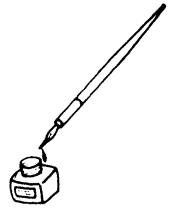
18V (Li-ion)



UC18YKSL (14,4V - 18V)



329897



<p>English</p> <p>GUARANTEE CERTIFICATE</p> <ol style="list-style-type: none"> Model No. Serial No. Date of Purchase Customer Name and Address Dealer Name and Address (Please stamp dealer name and address) 	<p>Dansk</p> <p>GARANTIBEVIS</p> <ol style="list-style-type: none"> Modelnummer Serienummer Købsdato Kundes navn og adresse Forhandlers navn og adresse (Indstæmp stempel med forhandlers navn og adresse) 	<p>Română</p> <p>CERTIFICAT DE GARANȚIE</p> <ol style="list-style-type: none"> Model nr. Nr. de serie Data cumpărării Numele și adresa clientului Numele și adresa distribuitorului (Vă rugăm aplicați ștampila cu numele și adresa distribuitorului)
<p>Deutsch</p> <p>GARANTIESCHEIN</p> <ol style="list-style-type: none"> Modell-Nr. Serien-Nr. Kaufdatum Name und Anschrift des Kunden Name und Anschrift des Händlers (Bitte mit Namen und Anschrift des Händlers abstempeln) 	<p>Norsk</p> <p>GARANTISERTIFIKAT</p> <ol style="list-style-type: none"> Modellnr. Serienr. Kjøpsdato Kundens navn og adresse Forhandlerens navn og adresse (Vennligst stemple forhandlerens navn og adresse) 	<p>Slovenščina</p> <p>GARANCIJSKO POTRDILO</p> <ol style="list-style-type: none"> Št. modela Serijska št. Datum nakupa Ime in naslov kupca Ime in naslov prodajalca (Prosimo vpišite žig z imenom in naslovom prodajalca)
<p>Français</p> <p>CERTIFICAT DE GARANTIE</p> <ol style="list-style-type: none"> No. de modèle No de série Date d'achat Nom et adresse du client Nom et adresse du revendeur (Cachet portant le nom et l'adresse du revendeur) 	<p>Suomi</p> <p>TAKUUTODISTUS</p> <ol style="list-style-type: none"> Malli nro Sarja nro Ostopäivämäärä Asiakkaan nimi ja osoite Myyjän nimi ja osoite (Leimaa myyjän nimi ja osoite) 	<p>Slovenčina</p> <p>ZÁRUČNÝ LISTA</p> <ol style="list-style-type: none"> Č. modelu Sériové č. Dátum zakúpenia Meno a adresa zákazníka Názov a adresa predajcu (Pečiatka s názvom a adresou predajcu)
<p>Italiano</p> <p>CERTIFICATO DI GARANZIA</p> <ol style="list-style-type: none"> Modello N° di serie Data di acquisto Nome e indirizzo dell'acquirente Nome e indirizzo del rivenditore (Si prega di apporre il timbro con questi dati) 	<p>Ελληνικά</p> <p>ΠΙΣΤΟΠΟΙΗΤΙΚΟ ΕΓΓΥΗΣΗΣ</p> <ol style="list-style-type: none"> Αρ. Μοντέλου Αύξων Αρ. Ημερομηνία αγοράς Όνομα και διεύθυνση πελάτη Όνομα και διεύθυνση μεταπωλητή (Παρακαλούμε να χρησιμοποιηθεί σφραγίδα) 	<p>Български</p> <p>ГАРАНЦИОНЕН СЕРТИФИКАТ</p> <ol style="list-style-type: none"> Модел № Сериен № Дата за закупуване Име и адрес на клиента Име и адрес на търговеца (Моля, отпечатайте името и адрес на дилъра)
<p>Nederlands</p> <p>GARANTIEBEWIJS</p> <ol style="list-style-type: none"> Modelnummer Serienummer Datum van aankoop Naam en adres van de gebruiker Naam en adres van de handelaar (Stempel a.u.b. naam en adres vande de handelaar) 	<p>Polski</p> <p>GWARANCJA</p> <ol style="list-style-type: none"> Model Numer seryjny Data zakupu Nazwa klienta i adres Nazwa dealera i adres (Pieczęć punktu sprzedaży) 	<p>Srpski</p> <p>GARANTNI SERTIFIKAT</p> <ol style="list-style-type: none"> Br. modela. Serijski br. Datum kupovine Ime i adresa kupca Ime i adresa prodavca (Molimo da stavite pečat na ime i adresu trgovca)
<p>Español</p> <p>CERTIFICADO DE GARANTÍA</p> <ol style="list-style-type: none"> Número de modelo Número de serie Fecha de adquisición Nombre y dirección del cliente Nombre y dirección del distribuidor (Se ruega poner el sello del distribuidor con su nombre y dirección) 	<p>Magyar</p> <p>GARANCIA BIZONYLAT</p> <ol style="list-style-type: none"> Típuszám Sorozatszám A vásárlás dátuma A Vásárló neve és címe A Kereskedő neve és címe (Kérjük ide elhelyezni a Kereskedő nevének és címének pecsétjét) 	<p>Hrvatski</p> <p>JAMSTVENI CERTIFIKAT</p> <ol style="list-style-type: none"> Br modela. Serijski br. Datum kupnje Ime i adresa kupca Ime i adresa trgovca (Molimo stavite pečat na ime i adresu trgovca)
<p>Português</p> <p>CERTIFICADO DE GARANTIA</p> <ol style="list-style-type: none"> Número do modelo Número do série Data de compra Nome e morada do cliente Nome e morada do distribuidor (Por favor, carimbe o nome e morada do distribuidor) 	<p>Čeština</p> <p>ZÁRUČNÍ LIST</p> <ol style="list-style-type: none"> Model č. Série č. Datum nákupu Jméno a adresa zákazníka Jméno a adresa prodejce (Prosíme o razítko se jménem a adresou prodejce) 	
<p>Svenska</p> <p>GARANTICERTIFIKAT</p> <ol style="list-style-type: none"> Modellnr Seriernr Inköpsdatum Kundens namn och adress Försäljarens namn och adress (Stämpla försäljarens namn och adress) 	<p>Türkçe</p> <p>GARANTİ SERTİFİKASI</p> <ol style="list-style-type: none"> Model No. Seri No. Satın Alma Tarihi Müşteri Adı ve Adresi Bayi Adı ve Adresi (Lütfen bayi adını ve adresini kaşe olarak basın) 	

HIKOKI

①	
②	
③	
④	
⑤	



Hikoki Power Tools Deutschland GmbH

Siemensring 34, 47877 Willich, Germany
Tel: +49 2154 49930
Fax: +49 2154 499350
URL: <http://www.hikoki-powertools.de>

Hikoki Power Tools Netherlands B.V.

Brabanthaven 11, 3433 PJ Nieuwegein, The Netherlands
Tel: +31 30 6084040
Fax: +31 30 6067266
URL: <http://www.hikoki-powertools.nl>

Hikoki Power Tools (U.K.) Ltd.

25 Majestic Road, Southampton, SO16 OYT,
United Kingdom
Tel: +44 1908 660663
Fax: +44 1908 606642
URL: <http://www.hikoki-powertools.uk>

Hikoki Power Tools France S.A.S.

Parc de l'Eglantier 22, rue des Cerisiers, Lisses-C.E. 1541,
91015 EVRY CEDEX, France
Tel: +33 1 69474949
Fax: +33 1 60861416
URL: <http://www.hikoki-powertools.fr>

Hikoki Power Tools Belgium N.V./S.A.

Koningin Astridlaan 51, B-1780 Wommel, Belgium
Tel: +32 2 460 1720
Fax: +32 2 460 2542
URL: <http://www.hikoki-powertools.be>

Hikoki Power Tools Italia S.p.A

Via Piave 35, 36077, Altavilla Vicentina (VI), Italy
Tel: +39 0444 548111
Fax: +39 0444 548110
URL: <http://www.hikoki-powertools.it>

Hikoki Power Tools Ibérica, S.A.

C/ Puigbarral, 26-28, Pol. Ind. Can Petit, 08227 Terrassa
(Barcelona), Spain
Tel: +34 93 735 6722
Fax: +34 93 735 7442
URL: <http://www.hikoki-powertools.es>

Hikoki Power Tools Österreich GmbH

IndustrieZentrum NÖ –Süd, Straße 7, Obj. 58/A6 2355
Wiener Neudorf, Austria
Tel: +43 2236 64673/5
Fax: +43 2236 63373
URL: <http://www.hikoki-powertools.at>

Hikoki Power Tools Norway AS

Kjeller Vest 7, N-2007 Kjeller, Norway
Tel: (+47) 6692 6600
Fax: (+47) 6692 6650
URL: <http://www.hikoki-powertools.no>

Hikoki Power Tools Sweden AB

Rotebergsvagen 2B SE-192 78 Sollentuna, Sweden
Tel: (+46) 8 598 999 00
Fax: (+46) 8 598 999 40
URL: <http://www.hikoki-powertools.se>

Hikoki Power Tools Denmark A/S

Lillebaeltsvej 90, 6715 Esbjerg N, Denmark
Tel: (+45) 75 14 32 00
Fax: (+45) 75 14 36 66
URL: <http://www.hikoki-powertools.dk>

Hikoki Power Tools Finland Oy

Tupalankatu 9, 15680 Lahti, Finland
Tel: (+358) 20 7431 530
Fax: (+358) 20 7431 531
URL: <http://www.hikoki-powertools.fi>

Hikoki Power Tools Hungary Kft.

1106 Bogáncsvirág u.5-7, Budapest, Hungary
Tel: +36 1 2643433
Fax: +36 1 2643429
URL: <http://www.hikoki-powertools.hu>

Hikoki Power Tools Polska Sp. z o. o.

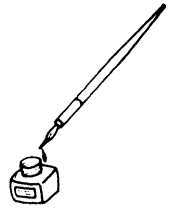
ul. Gierdziejewskiego 1
02-495 Warszawa, Poland
Tel: +48 22 863 33 78
Fax: +48 22 863 33 82
URL: <http://www.hikoki-narzedzia.pl>

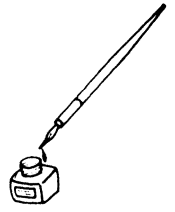
Hikoki Power Tools Czech s.r.o.

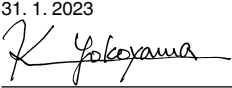
Modřická 205, 664 48 Moravany, Czech Republic
Tel: +420 547 422 660
Fax: +420 547 213 588
URL: <http://www.hikoki-powertools.cz>

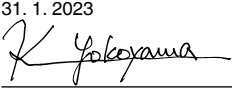

Hikoki Power Tools Romania S.R.L.


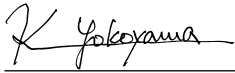
Ring Road, No. 66, Mustang Traco Warehouses, Warehouse
No.1, Pantelimon City, 077145, Ilfov County, Romania
Tel: +40 371 135 109
Fax: +40 372 899 765
URL: <http://www.hikoki-powertools.ro>





<p>English</p> <p>EC DECLARATION OF CONFORMITY</p> <p>We declare under our sole responsibility that Cordless Auto Hammer, identified by type and specific identification code *1), is in conformity with all relevant requirements of the directives *2) and standards *3). Technical file at *4) – See below. The European Standard Manager at the representative office in Europe is authorized to compile the technical file. The declaration is applicable to the product affixed CE marking.</p>	<p>Nederlands</p> <p>EC VERKLARING VAN CONFORMITEIT</p> <p>Wij verklaren onder onze eigen verantwoordelijkheid dat Accu spijkerapparaat, geïdentificeerd door type en boor specifieke identificatiecode*1) is, voldoet aan alle relevante bepalingen van de richtlijnen*2) en normen*3). Technische documentatie bij*4) – zie onder. De Europese Normen Manager bij de vertegenwoordiging in Europa is gemachtigd om het technisch dossier samen te stellen. Deze verklaring is van toepassing op producten voorzien van de CE-markeringen.</p>
<p>Deutsch</p> <p>EG-KONFORMITÄTSERKLÄRUNG</p> <p>Wir erklären in alleiniger Verantwortung, dass der durch den Typ und den spezifischen Identifizierungscode *1) identifizierte Akku-Autohammer allen einschlägigen Bestimmungen der Richtlinien *2) und Normen *3) entspricht. Technische Unterlagen unter *4) – Siehe unten. Die Leitung der repräsentativen Behörde für europäische Normen und Richtlinien ist berechtigt, die technischen Unterlagen zusammenzustellen. Die Erklärung gilt für die an dem Produkt angebrachte CE-Kennzeichnung.</p>	<p>Español</p> <p>DECLARACIÓN DE CONFORMIDAD DE LA CE</p> <p>Declaramos bajo nuestra única responsabilidad que el Clavadora a batería con martillo, identificados por tipo y por código de identificación específico *1), están en conformidad con todas las disposiciones correspondientes de las directivas *2) y de las normas *3). Documentación técnica en *4) – Ver a continuación. El Director de Normas Europeas en la oficina de representación en Europa está autorizado para elaborar el expediente técnico. La declaración se aplica al producto con marcas de la CE.</p>
<p>Français</p> <p>DECLARATION DE CONFORMITE CE</p> <p>Nous déclarons sous notre entière responsabilité que le Cloueur automatique sans fil, identifié par le type et le code d'identification spécifique *1) est en conformité avec toutes les exigences applicables des directives *2) et des normes *3). Dossier technique en *4) - Voir ci-dessous. Le Gestionnaire des normes européennes du bureau de représentation en Europe est autorisé à constituer le dossier technique. Cette déclaration s'applique aux produits désignés CE.</p>	<p>Português</p> <p>DECLARAÇÃO DE CONFORMIDADE CE</p> <p>Declaramos, sob nossa única e inteira responsabilidade, que Pistola de Pregos a Bateria com Martelo Sem Fios, identificado por tipo e código de identificação específico *1), está em conformidade com todos os requerimentos relevantes das diretivas *2) e normas *3). Ficheiro técnico em *4) – Consulte abaixo. O Gestor de Normas Europeias no escritório de representação na Europa está autorizado a compilar o ficheiro técnico. A declaração aplica-se aos produtos com marca CE.</p>
<p>Italiano</p> <p>DICHIARAZIONE DI CONFORMITÀ CE</p> <p>Dichiariamo sotto la nostra esclusiva responsabilità che la Chiodatrice palmare cordless, identificato dal tipo e dal codice identificativo specifico *1), è conforme a tutti i requisiti delle direttive *2) e degli standard *3). Documentazione tecnica presso *4) – Vedere sotto. Il gestore delle norme europee presso l'ufficio di rappresentanza in Europa è autorizzato a compilare il fascicolo tecnico. La dichiarazione è applicabile ai prodotti cui sono applicati i marchi CE.</p>	<p>Svenska</p> <p>EG-DEKLARATION BETRÄFFANDE LIKFORMIGHET</p> <p>Vi förklarar på eget ansvar att Slaghammare cordless, identifierad enligt typ och särskild identifikationskod *1), överensstämmer med alla relevanta krav i direktiven *2) och standarderna *3). Teknisk fil enligt *4) – Se nedan. Den europeiska standardansvariga på representationskontoret i Europa är auktoriserad att sammanställa den tekniska filen. Denna försäkran gäller för produkten med tillhörande CE-märkning.</p>
<p>*1) NH18DSL C359309S *2) 2006/42/EC, 2014/30/EU, 2011/65/EU *3) EN 62841:2015 EN 55014-1:2006+A1:2009+A2:2011 EN 55014-2:1997+A1:2001+A2:2008</p>	
<p>*4) Representative office in Europe Hikoki Power Tools Deutschland GmbH Siemensring 34, 47877 Willich, Germany</p> <p>Head office in Japan Koki Holdings Co., Ltd. Shinagawa Intercity Tower A, 15-1, Konan 2-chome, Minato-ku, Tokyo, Japan</p>	<p>31. 1. 2023 Akihisa Yahagi European Standard Manager</p> <p>31. 1. 2023  K. Yokoyama General Manager of Quality Assurance Division</p>

<p>Dansk</p> <p>EF-OVERENSSTEMMELSESERKLÆRING</p> <p>Vi erklærer os fuldstændige ansvarlige for, at Slaghammer cordless, identificeret ved type og specifik identifikationskode *1), er i overensstemmelse med alle relevante krav i direktiverne *2) og standarderne *3). Teknisk fil i *4) – Se nedenfor.</p> <p>Lederen af europæiske standarder på repræsentationskontoret i Europa er bemyndiget til at compilere den tekniske fil. Erklæringen gælder produktet, der er mærket med CE.</p>	<p>Polski</p> <p>DEKLARACJA ZGODNOŚCI Z WE</p> <p>Oświadczamy na własną wyłączną odpowiedzialność, że Automacyjny akumulatorowy wbijak do gwoździ podanego typu i oznaczona unikalnym kodem identyfikacyjnym *1) jest zgodna z wszystkimi właściwymi wymogami dyrektyw *2) i norm *3). Dokumentacja techniczna w *4) – Patrz poniżej.</p> <p>Menedżer Norm Europejskich przedstawicielstwa firmy w Europie jest upoważniony do sporządzania dokumentacji technicznej. Niniejsza deklaracja ma zastosowanie do produktu opatrzonego znakiem CE.</p>
<p>Norsk</p> <p>EF'S ERKLÆRING OM OVERENSSTEMMELSE</p> <p>Vi erklærer på eget ansvar at Slaghammer cordless, identificeret efter type og specifik identifikationskode *1), er i samsvar med alle relevante krav i direktiver *2) og standarder *3). Teknisk fil under *4) – Se nedenfor.</p> <p>Styreren for europeiske standarder ved representantkontoret i Europa er autoriseret til å compilere den tekniske filen. Erklæringen gjelder for CE-merket på produktet.</p>	<p>Magyar</p> <p>EK MEGFELELŐSÉGI NYILATKOZAT</p> <p>A kizárólagos felelősségünkre kijelentjük, hogy az Akkus vezeték nélküli csavarhúzó típus és egyedi azonosító kód *1) alapján azonosított, megfelel az irányelvek vonatkozó követelményeinek *2) és szabványainak *3). Műszaki fájl a *4) – Lásd alább.</p> <p>Az EU képviseletli iroda európai szabványügyi menedzsere jogosult a műszaki dokumentáció összeállítására. Jelen nyilatkozat a terméken feltüntetett CE jelzésre vonatkozik.</p>
<p>Suomi</p> <p>EY-ILMOITUS YHDENMUKAISUUDESTA</p> <p>Vakuutamme yksinomaisella vastuullamme, että Nyrkkinaulain/Lyöntivasara cordless iskevä ruuvinväännin, joka identifioidaan tyypin ja erityisen tunnistuskoodin *1) perusteella, on kaikkien direktiivien *2) ja standardien *3) asiaankuuluvien vaatimusten mukainen. Tekninen tiedosto kohdassa *4) – katso alta.</p> <p>Eurooppalaisten standardien hallintaelin Euroopan edustustossa on valtuutettu kokoamaan teknisen tiedoston. Ilmoitus on sovellettavissa tuotteeseen kiinnitettynä CE-merkintään.</p>	<p>Čeština</p> <p>PROHLÁŠENÍ O SHODĚ S ES</p> <p>Prohlašujeme na svou výhradní zodpovědnost, že Akumulátorové automatické pneumatické kladivo, identifikované podle typu a specifického identifikačního kódu *1), je v souladu se všemi příslušnými požadavky směrnice *2) a norem *3). Technický soubor *4) – viz níže.</p> <p>K sestavení technické dokumentace je oprávněn manažer pro evropské standardy v evropském obchodním zastoupení. Toto prohlášení platí pro výrobek označený značkou CE.</p>
<p>Ελληνικά</p> <p>ΕΚ ΔΗΛΩΣΗ ΕΝΑΡΜΟΝΙΣΜΟΥ</p> <p>Δηλώνουμε με αποκλειστική μας ευθύνη ότι το Επαναφορτιζόμενο Καρφωτικό, το οποίο προσδιορίζεται από τον τύπο και ειδικό αναγνωριστικό κωδικό *1), είναι σύμφωνο με όλες τις σχετικές απαιτήσεις των Οδηγιών *2) και στα σχετικά πρότυπα *3). Τεχνικό Αρχείο στο *4) – Δείτε παρακάτω.</p> <p>Ο Διαχειριστής Ευρωπαϊκών Προτύπων στο γραφείο εκπροσώπησης στην Ευρώπη είναι εξουσιοδοτημένος για τη σύνταξη του τεχνικού φακέλου.</p> <p>Η δήλωση ισχύει μόνο για το προϊόν που είναι τοποθετημένη η σήμανση CE.</p>	<p>Türkçe</p> <p>AT UYGUNLUK BEYANI</p> <p>Tip ve özel tanımlı koduyla *1) tanımlı Akülü Çivi Çakma'nın (Avuç içi tip) direktiflerinin *2) ve standartların *3) tüm ilgili gereksinimlerine uygun olduğunu tamamen kendi sorumluluğumuz altında beyan ederiz. Teknik dosya *4)'dedir – Aşağıya bakın.</p> <p>Avrupa'daki temsilcilik ofisindeki Avrupa Standartları Yöneticisi, teknik dosyayı derlemek için yetkilendirilmiştir.</p> <p>Beyan, üzerinde CE işareti bulunan ürünler için geçerlidir.</p>
<p>*1) NH18DSL C359309S</p> <p>*2) 2006/42/EC, 2014/30/EU, 2011/65/EU</p> <p>*3) EN 62841:2015 EN 55014-1:2006+A1:2009+A2:2011 EN 55014-2:1997+A1:2001+A2:2008</p>	
<p>*4) Representative office in Europe Hikoki Power Tools Deutschland GmbH Siemensring 34, 47877 Willich, Germany</p> <p>Head office in Japan Koki Holdings Co., Ltd. Shinagawa Intercity Tower A, 15-1, Konan 2-chome, Minato-ku, Tokyo, Japan</p>	<p>31. 1. 2023 Akihisa Yahagi European Standard Manager</p> <p>31. 1. 2023  K. Yokoyama General Manager of Quality Assurance Division</p> 

<p>Română</p> <p>DECLARAȚIE DE CONFORMITATE CE</p> <p>Declarăm pe propria răspundere că Percuție pneumatică automată cu acumulator, identificată după tipul și codul de identificare specific *1), este în conformitate cu toate cerințele relevante ale directivelor *2) și ale standardelor *3). Fișier tehnic la *4) – Vezi mai jos. Managerul standardelor europene de la biroul reprezentanței din Europa este autorizat să întocmească dosarul tehnic. Declarația se referă la produsul pe care este aplicat semnul CE.</p>	<p>Български</p> <p>ЕО ДЕКЛАРАЦИЯ ЗА СЪОТВЕТСТВИЕ</p> <p>Декларираме на своя собствена отговорност, че Акумулаторният чук за пирони, идентифицирана по тип и специален идентификационен код *1), е в съответствие с всички съответни изисквания на директивите *2) и стандартите *3). Техническо досие в *4) - Вижте по-долу. Мениджърът по европейските стандарти в представителния офис в Европа е упълномощен да съставя техническото досие. Декларацията е приложена за продукта, който има поставена CE маркировка.</p>
<p>Slovenščina</p> <p>ES IZJAVA O SKLADNOSTI</p> <p>Na lastno odgovornost izjavljamo, da je Akumulatorsko kladivo za žeblje, označeno z vrsto in posebno identifikacijsko kodo *1), v skladu z vsemi ustreznimi zahtevami direktiv *2) in standardov *3). Tehnična dokumentacija pod *4) – glejte spodaj. Upravitelj evropskih standardov na predstavnštvu v Evropi je pooblaščen za pripravo tehnične dokumentacije. Deklaracija je označena na izdelku s pritrjeno oznako CE.</p>	<p>Srpski</p> <p>EZ DEKLARACIJA O USAGLAŠENOSTI</p> <p>Pod punom odgovornošću izjavljujemo da je Akumulatorski čekić za ekser, identifikovana prema tipu i specifičnom identifikacionom kodu *1), u skladu sa svim relevantnim zahtevima direktiva *2) i standardima *3). Tehnička datoteka pod *4) - Pogledajte dole. Direktor za evropske standarde u kancelariji predstavnštva u Evropi je odgovoran za sastavljanje tehničke dokumentacije. Deklaracija je primenljiva na proizvod na koji je stavljena CE oznaka.</p>
<p>Slovenčina</p> <p>ES VYHLÁSENIE O ZHODE</p> <p>Týmto vyhlasujeme na vlastnú zodpovednosť, že Akumulátorové automatické pneumatické kladivo, identifikovaný podľa typu a špecifického identifikačného kódu *1), je v zhode so všetkými prislúšnými požiadavkami smerníc *2) a noriem *3). Technický súbor v *4) – Pozrite nižšie. Manažér európskych noriem na zastupujúcom úrade v Európe má oprávnenie na zostavovanie technickej dokumentácie. Toto vyhlásenie sa vzťahuje na výrobok označený značkou CE.</p>	<p>Hrvatski</p> <p>EZ IZJAVA O SUKLADNOSTI</p> <p>Izjavljujemo pod vlastitom odgovornošću da je Akumulatorski čekić za čavle, identificirana prema vrsti i specifičnom identifikacijskom kodu *1), u skladu sa svim relevantnim zahtjevima direktiva *2) i standarda *3). Tehnička dokumentacija na *4) - Vidi dolje. Menadžer za europske standarde u europskom predstavnštvu tvrtke ovlašten je za sastavljanje tehničke dokumentacije. Izjava se primjenjuje na proizvod na kojem je stavljena CE oznaka.</p>
<p>*1) NH18DSL C359309S *2) 2006/42/EC, 2014/30/EU, 2011/65/EU *3) EN 62841:2015 EN 55014-1:2006+A1:2009+A2:2011 EN 55014-2:1997+A1:2001+A2:2008</p>	
<p>*4) Representative office in Europe Hikoki Power Tools Deutschland GmbH Siemensring 34, 47877 Willich, Germany</p> <p>Head office in Japan Koki Holdings Co., Ltd. Shinagawa Intercity Tower A, 15-1, Konan 2-chome, Minato-ku, Tokyo, Japan</p>	<p>31. 1. 2023 Akihisa Yahagi European Standard Manager</p> <p> 31. 1. 2023  K. Yokoyama General Manager of Quality Assurance Division</p>

Koki Holdings Co., Ltd.