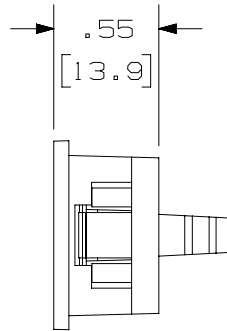
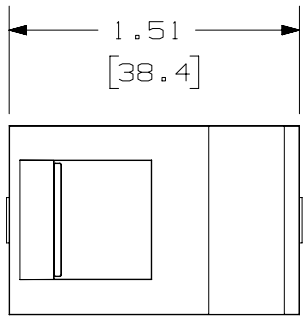
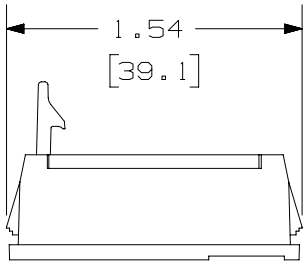


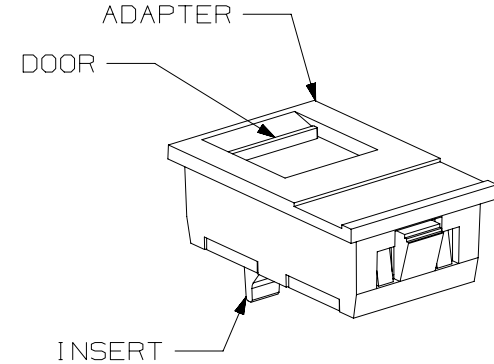
THIS COPY IS PROVIDED ON A RESTRICTED BASIS AND IS NOT TO BE USED IN ANY WAY DETRIMENTAL TO THE INTERESTS OF PANDUIT CORP.



PANDUIT P/N	WEIGHT
CM6CS**	.131 LB/10 PCS (59.6 g/10 PCS)

NOTES:

1. SEE CURRENT CATALOG FOR ADDITIONAL PART NUMBER SUFFIXES TO INDICATE COLOR AND OR PACKAGE QUANTITY.
2. SEE CATALOG FOR A COMPLETE LIST OF PARTS APPLICABLE FOR USE WITH THIS PART.
3. THIS PART IS USED TO SNAP INTO A STANDARD U.K. LJU6C (22.3mm X 36.9mm) OPENING AND ACCEPTS ALL SINGLE POSITION MINI-COM MODULES.
4. DIMENSIONS IN PARENTHESES ARE IN METRIC.



ADAPTER

PART NUMBER	CM6CS**	PRODUCT SPEC/PKG SPEC	N/A
I.I. NUMBER	N/A	WORK INSTRUCTION	N/A

TITLE	LJU6C SHUTTERED ADAPTER
ITEM REVISION NAME	CUSTOMER DRAWING

DATASET FILE NAME	M00024BD_00.PRT	<b>PANDUIT</b> <sup>TM</sup>
	M00024BD_DC_00F.PRT	

UNLESS OTHERWISE SPECIFIED, DIMENSIONAL TOLERANCES ARE: IN [ mm ]		MATERIAL:
.x ± .1 [ 2.54 ]	.xxx ± .005 [ .127 ]	ABS
.xx ± .01 [ .25 ]	ANGLES ± 5 °	
		DRAWING NUMBER:
		00024-04

REV	DATE	BY	CHK	APR	DESCRIPTION	ECN
4	7-13-15	BJN	DCS	DCS	UPDATED DIMENSIONS	00024-04
3	11-6-12	BJN	JSP	JSP	UPDATED DRAWING FORMAT TO REFLECT NEW LOGO REVISED & REDRAWN PREVIOUS REVS REMOVED FOR CLARITY	00024-04

DRAWN BY	DATE	CHK	SCALE	SHT 1 OF 1	SIZE
RCA	5-22-97	CEF	NONE		A