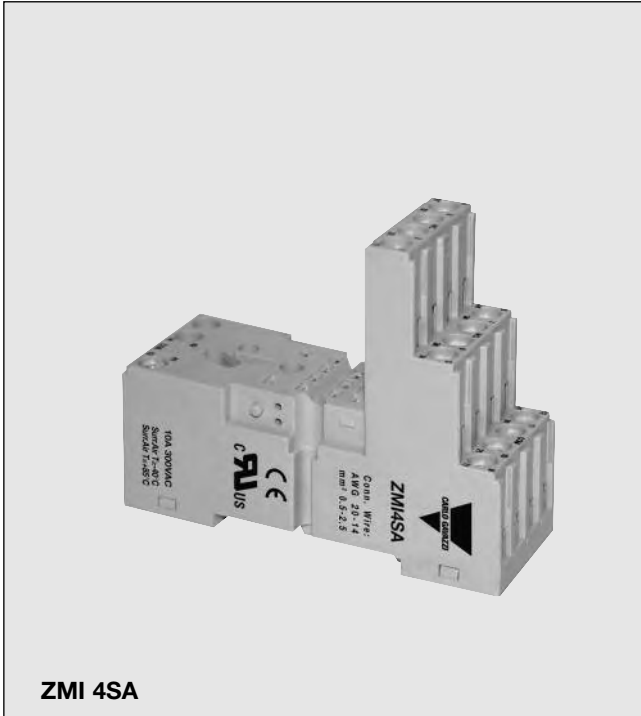
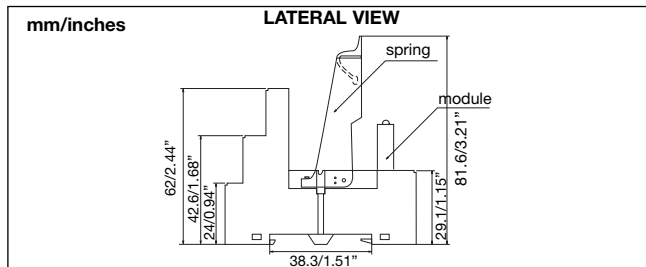
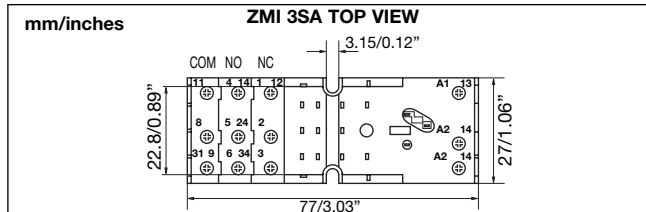
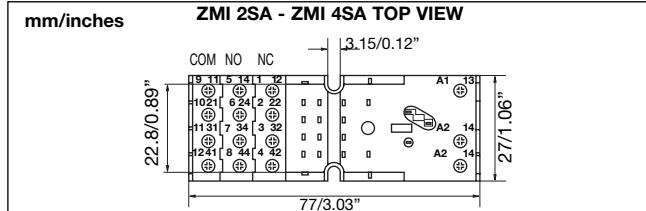


## Sockets for RMI Relays

### ZMI 2SA - ZMI 3SA - ZMI 4SA



ZMI 4SA



## General data

Socket material	PA66 +GF - V2
Socket colour	RAL 7035 / Pantone 1C
Contact material	Cu Ni
Contact surface	5µm tin plated
Terminals	8µm zinc plated steel
Terminal type	Screw cage
Screws	5µm nickel plated 8.8 steel
Screw type	M3 with combi head (slotted, Philips Gr.1, Pozzi)
Ratings	10A x 2 or 5A x 4 @ 300VAC

UL rating	10A 300VAC
Insulation voltage	>4kV
Operating temp.	-25° to +85°C (-13° to +185°F)
Creepage and clearance	Gr.C250, VDE 0110b /2.79
Maximum screw torque	1N/m
Max wire section	
Flex / compact wire	0.5-2.5mm² (20AWG - 14AWG)
Cable End	2 x 1.5mm² (16AWG)
Terminal protection degree	IP 20 (EN60529)

## Approvals



Ordering code 2 contacts version for RMI A 2 10 xxx :  
 Ordering code 3 contacts version for RMI A 3 7 xxx :  
 Ordering code 4 contacts version for RMI A 4 5 xxx :

ZMI2SA / ZMI4SA  
 ZMI3SA  
 ZMI4SA

Box content: 10 sockets, 10 labels, 10 Plastic hold down springs  
 Box size: (W 155 x D 165 x H 70) mm Weight: 750g  
 (W 6.10 x D 6.50 x H 2.75) inches Weight: 26.45oz

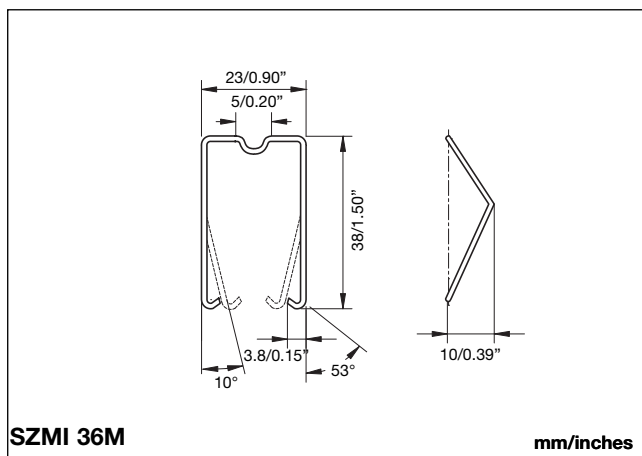
## Optional Accessories (to be ordered separately if required)

Metal spare hold down Spring SZMI36M  
 Plastic spare hold down Spring SZMI35  
 Plastic spare hold down Spring 6.73.00.61.4

Labels 6.73.00.61.3  
 Bridging bar ZMI-BB  
 Modules

## Optional Springs for ZMI series

### SZMI 36M



### General data

Spring material

Stainless steel

Packaging

Box content:

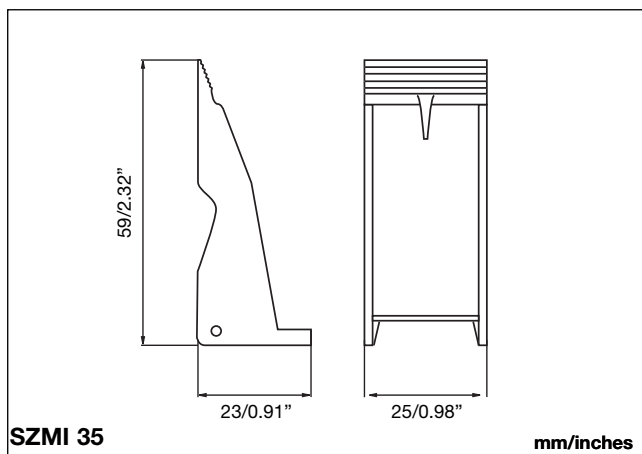
1 plastic bag, 10pcs.

Weight:

~5g (0.18oz)

**RoHS**  
COMPLIANT

### SZMI 35



### General data

Spring material

PA66 + GF (V0)

Spring colour

RAL 7035 / Pantone 1C

Packaging

Box content:

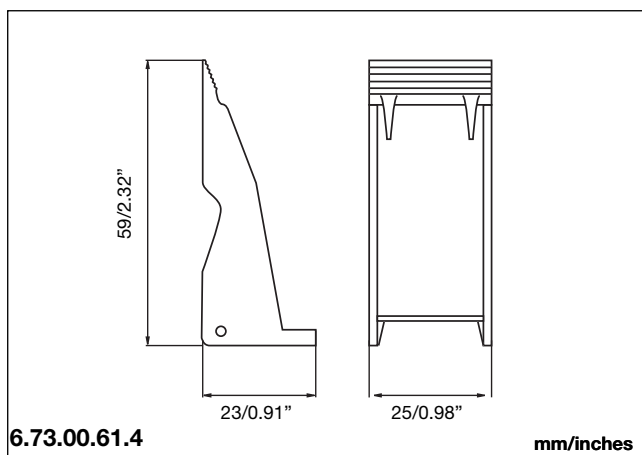
1 plastic bag, 10pcs.

Weight:

~20g (0.70oz)

**RoHS**  
COMPLIANT

### 6.73.00.61.4



### General data

Spring material

PA6 + GF (V2)

Spring colour

RAL 7035 / Pantone 1C

Packaging

Box content:

1 plastic bag, 10pcs.

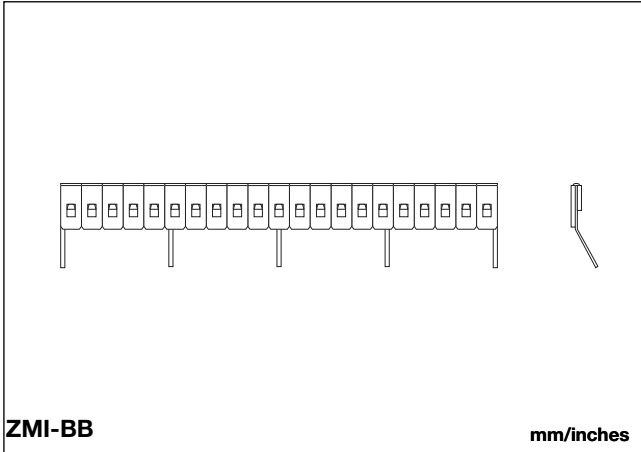
Weight:

~20g (0.70oz)

**RoHS**  
COMPLIANT

## Optional sockets bridging bars

### ZMI-BB



### General data

Plastic insulator material	PA66 + GF (V0)
Plastic insulator colour	Black
Metal jumper	Tinned copper

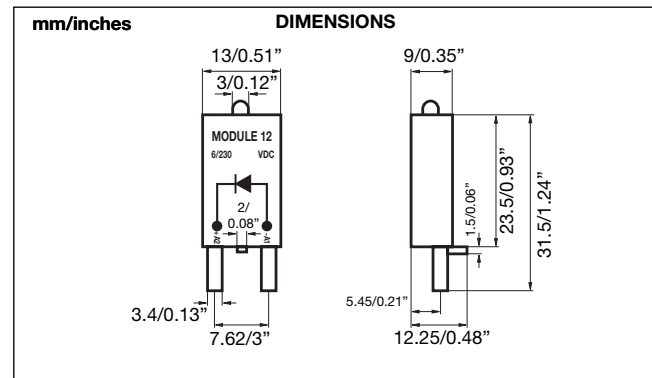
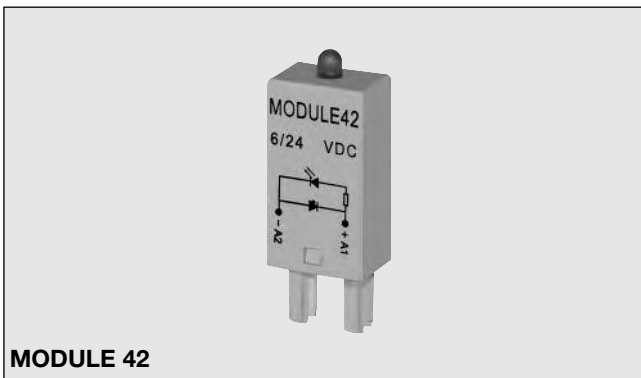
### Packaging

Box content:	1 plastic bag, 10pcs.
Weight:	~50g (~1.76oz)



## Optional Function Modules

### Modules for ZMI and ZD sockets



### Approvals



European low-voltage  
directive compliant



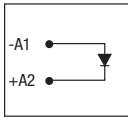
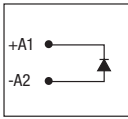
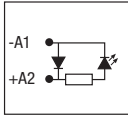
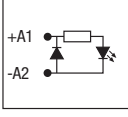
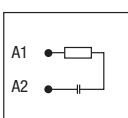
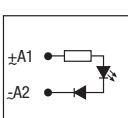
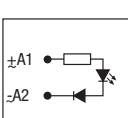
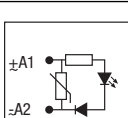
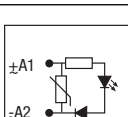
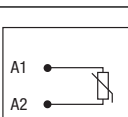
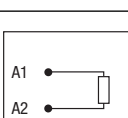
### General data

Module material	PA66+GF (V0)
Module colour	RAL 7035 / Pantone 1C

### Packaging

Box content:	1 bag, 100pcs.
Box size:	W 160 x D 70 x H 80 mm Weight: ~350g (W 6.30 x D 2.75 x H 3.15) inches Weight: ~12.3oz

## Types and electrical configurations

Diagram	Type	Description	Operating voltage	LED Colour	Ordering code		Notes	
					ZMI, ZD, ZDM Sockets	ZPD9, ZPD11		
	12	Free wheeling diode A2 +	6 / 230VDC	n.a.	<b>MODULE12</b>	<b>MODULE11</b>		
	22	Free wheeling diode A1 +	6 / 230VDC	n.a.	<b>MODULE22</b>	<b>MODULE21</b>		
	32	Free wheeling diode A2 +, with LED	6 / 24VDC	Red	<b>MODULE32</b>	n.a.		Only for DC relays
			24 / 60VDC		<b>MODULE32B</b>			
			110 / 230VDC		<b>MODULE32C</b>			
			6 / 24VDC	Green**	<i>MODULE32/G</i>			
			24 / 60VDC		<i>MODULE32B/G</i>			
			110 / 230VDC		<i>MODULE32C/G</i>			
	42	Free wheeling diode A1 +, with LED	6 / 24VDC	Red	<b>MODULE42</b>	n.a.		
			24 / 60VDC		<b>MODULE42B</b>			
			110 / 230VDC		<b>MODULE42C</b>			
			6 / 24VDC	Green**	<i>MODULE42/G</i>			
			24 / 60VDC		<i>MODULE42B/G</i>			
			110 / 230VDC		<i>MODULE42C/G</i>			
	52	RC Filter	110/240VAC	n.a.	<b>MODULE52</b>	<b>MODULE51</b>	Only for AC relays	
		RC Filter	6 / 24VAC		<b>MODULE52B</b>	<b>MODULE51B</b>		
		RC Filter	24 / 60VAC		<b>MODULE52D</b>	<b>MODULE51D</b>		
	62	Signalling LED	6 / 24V	Red	<b>MODULE62</b>	n.a.	Can work with AC and DC Relays	
	92		24 / 60V		<b>MODULE62E</b>			
			110 / 230V		<b>MODULE92</b>			
	62	Signalling LED	6 / 24V	Green**	<i>MODULE62/G</i>	n.a.	Can work with AC and DC Relays	
	92		24 / 60V		<i>MODULE62E/G</i>			
			110 / 230V		<i>MODULE92/G</i>			
	62	Signalling LED, with Varistor	6 / 24V	Red	<b>MODULE62C</b>	n.a.	Can work with AC and DC Relays	
	92		24 / 60V		<b>MODULE62D</b>			
			110 / 230V		<b>MODULE92C</b>			
	62	Signalling LED, with Varistor	6 / 24V	Green**	<i>MODULE62C/G</i>	n.a.	Can work with AC and DC Relays	
	92		24 / 60V		<i>MODULE62D/G</i>			
			110 / 230V		<i>MODULE92C/G</i>			
	72	Varistor	6 / 24VAC	n.a.	<b>MODULE72</b>	<b>MODULE71</b>		
	82		115VAC		<b>MODULE72A</b>	<b>MODULE71A</b>		
			230VAC		<b>MODULE82</b>	<b>MODULE81</b>		
	102	Resistor	110 / 230VAC	n.a.	<b>MODULE102</b>	n.a.		

\*\* Non standard devices normally not in stock and production upon request

Specifications are subject to change without notice. Pictures are just an example. For special features and/or customization, please ask to our sales network

## Installation Operations

