

Part number

MHV 32 X40



Hood, C-TYPE series, with 2 levers, M40 top cable entry, size "77.62", without gasket

Product description		Material properties	
Product type	Hood	Other materials	Lever: Stainless steel, polyamide (PA)
Series	C-TYPE	Colour	RAL 7040 grey
Closing type	With 2 levers		Compliant with exemption
Size	Size 77.62	RoHs conformity	6(c): copper alloy containing up to 4% lead by weight
Cable entry	Top cable entry with adapter M40	China RoHs - EFUP	50
Specification	Without gasket	REACH SVHC substances	Yes Lead
Technical data		SCIP number	15deaf78-e939-4401-a0b0-e2228ca32a03
IP degree of protection	IP65 / IP66 / IP69	Approvals / Standards	
Further technical details		Certifications	DNV, BV
Weight	550,00 g	UL	ECBT2
Operating temperature range (min, max)	-40°C...+125°C	cUL	ECBT8
		General ordering information	
		EAN13 code	8015747056304
		eCl@ss 8.1	27440202
		ETIM 7.0	EC000437
		Packaging Information	
		Packaging weight	4,40 kg
		Packaging volume	14,20 dm ³
		Packaging description	Carton box
		Packaging quantity	8 Pcs
		Packaging EAN code	8015747099707
		Sub-packaging weight	0,55 kg
		Sub-packaging description	Plastic packaging
		Sub-packaging quantity	1 Pcs
		Sub-packaging EAN barcode	8015747099714

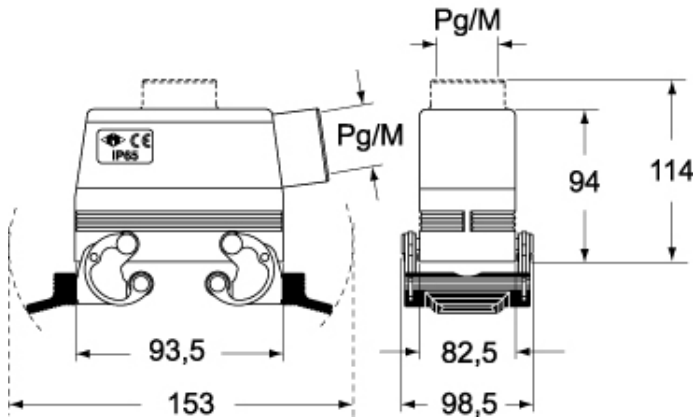
Part number

MHV 32 X40



Catalogue drawings

CHO X - CHV X MHO/MFO/MFV X - MHV X



Notes

Dimensions shown in mm are not binding and may be changed without notice.