

Part number

CQ 08 I



Bulkhead mounting housing, CQ series, with 1 lever, size "32.13"

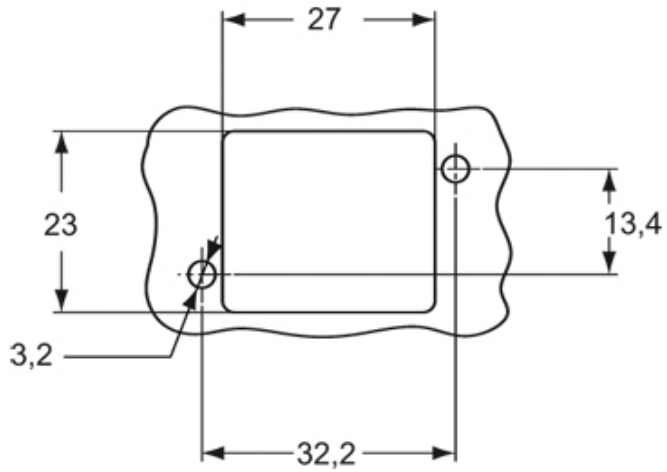
Product description		Material properties	
Product type	Bulkhead mounting housing	Other materials	Lever: Polyamide (PA) Gasket: NBR
Series	CQ	Colour	RAL 9005 black
Closing type	With 1 lever	RoHs conformity	Compliant
Size	Size "32.13"	China RoHs - EFUP	E
Cable entry	Without cable entry	REACH SVHC substances	No
Technical data		Approvals / Standards	
IP degree of protection	IP66 / IP67 / IP69	Certifications	DNV, BV
Further technical details		UL	ECBT2
Weight	14,00 g	cUL	ECBT8
Operating temperature range (min, max)	-40°C...+125°C	General ordering information	
		EAN13 code	8015747114899
		eCl@ss 8.1	27440202
		ETIM 7.0	EC000437
		Packaging Information	
		Packaging length	220,00 mm
		Packaging height	130,00 mm
		Packaging width	240,00 mm
		Packaging weight	0,95 kg
		Packaging volume	6,86 dm ³
		Packaging description	Carton box
		Packaging quantity	50 Pcs
		Packaging EAN code	8015747212977
		Sub-packaging weight	0,19 kg
		Sub-packaging description	Plastic bag
		Sub-packaging quantity	10 Pcs
		Sub-packaging EAN barcode	8015747212984

Part number

CQ 08 I

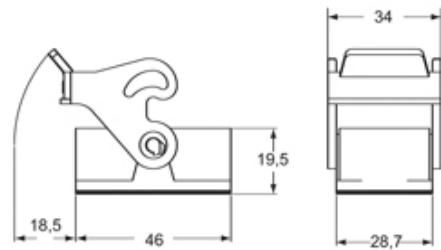


Catalogue drawings

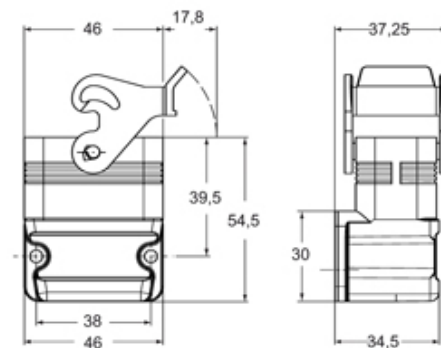


Catalogue drawings

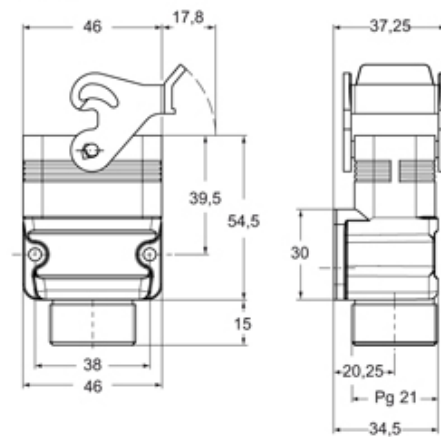
CQ I



CQ IA



CQ IAP



Notes

Dimensions shown in mm are not binding and may be changed without notice.