



Product designation

Roller lever  
plunger

Product type designation

KBE

**General characteristics**

Material

Housing  
Roller

Polymer  
thermoplastic  
Rubber

**Contact characteristics**

Type of contact			3NC Slow action
Thermal current I <sub>th</sub>		A	10
IEC/EN 60947-5-1 designation			A600 Q300
Rated insulation voltage U <sub>i</sub>		V	690
Rated impulse withstand voltage U <sub>imp</sub>		kV	6
Insulation class			II
Short-circuit protection with fuse		Class/A	10 gG/SC QUICK FUSE
Switching speed		min	m/s 0.5
		max	m/s 1.5
IEC Conventional free air thermal current I <sub>th</sub>		A	10
Resistance per pole (average value)		mΩ	<10

**Mechanical features**

Operating head fixing			Locking bayonet insert
Operating torque		Ncm ozin	3 4.25
Tightening torque (Max)			
Switch fixing		Nm lbin	2.5 22.1
Contact terminals		Nm lbin	0.8 7
Body lid screw fixing		Nm lbin	0.8 7
Conductor section			
AWG/Kcmil		min max	16 14
IEC		min max	mm <sup>2</sup> 1or 2 mm <sup>2</sup> 2.5

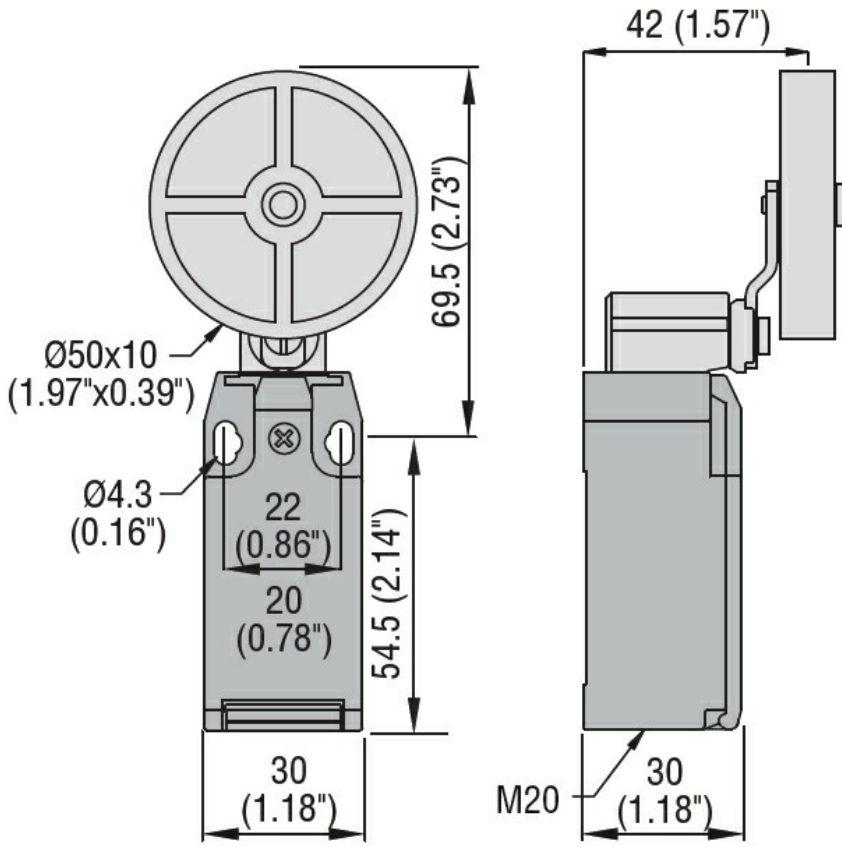
Cable connection	Self-releasing screw terminal
Cable entry	M20 on the bottom

<b>Operations</b>			
Mechanical life	cycles	<	10000000
Mechanical operation	cycles/h	3600	

<b>Ambient conditions</b>			
Temperature			
Operating temperature			
	min	°C	-25
	max	°C	+70
Storage temperature			
	min	°C	-40
	max	°C	+70

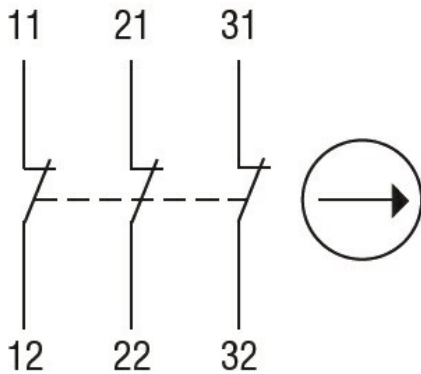
<b>Resistance &amp; Protection</b>			
IP degree			
	Terminals	IP20	
	Body housing	IP65	
Pollution degree		3	

**Dimensions**



**Wiring diagrams**

## Slow action



**3NC**

### Certifications and compliance

#### Compliance

CSA C22.2 n° 14

EN 50047

IEC/EN 60204-1

IEC/EN 60947-1

IEC/EN 60947-5-1

UL508

#### Certificates

CCC

cULus

EAC

### ETIM classification

ETIM 8.0

EC000030 - End  
switch