



Product designation				MINIATURE RELAYS
Product type designation				HR502C
Contact characteristics				
Contact configuration				2 C/O
Rated insulation voltage U_i IEC/EN	V			250
Rated impulse withstand voltage U_{imp}	kV			6
IEC Conventional free air thermal current I_{th}	A			8
Maximum instantaneous current	A			10
Rated current (I_n)	A			8
Relay control voltage	V			110VDC
Max contrrollable power in	AC-1	W	2000	
	AC-15	VA	150	
Rated operating power AC-1			VA	2000
			230 VAC	150
Rated operating power AC-15			VA	2000
			230 VAC	150
			VA	150
Rated operating current DC-1	30V	A	8	
	110V	A	0.3	
	220V	A	0.1	
Minimum switching load	V / mA			5 / 100
Contact impedance	m Ω			100
Contact material				Ag/Ni
Operating times				
Closing			ms	<15
Opening			ms	<15
Operations				
Mechanical life			cycles	10000000
Electrical life AC1			cycles	50000
Coil characteristics				
Average coil consumption AC at 20°C			VA	1
Average coil consumption DC at 20°C			W	0.4
Operating range	Closing	% U_n	75...110	
	Opening	% U_n	10...30	
Maximum cycle frequency			cycles/h	3600
Mechanical features				
Max socket terminal tightening torque			Nm	0.6
Socket screw tightening tool (cross / flat blade)				PH1 / 4.5mm
Conductor section	AWG/Kcmil			
		min	20	
	max	14		

IEC

min	mm ²	0.5
max	mm ²	2.5

Operating position

normal	Any
--------	-----

Fixing

On 35mm DIN rail and with screw

Ambient conditions

Temperature

Operating temperature

min	°C	-40
max	°C	+70

Storage temperature

min	°C	-40
max	°C	+85

Other features

Indication

Yes

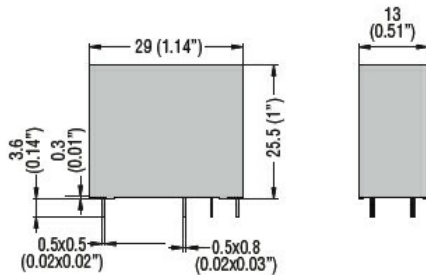
Mechanical contact position indicator

Yes

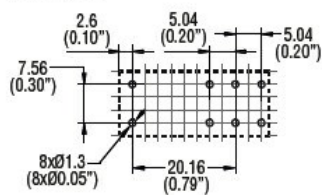
Mechanical test actuator

Yes

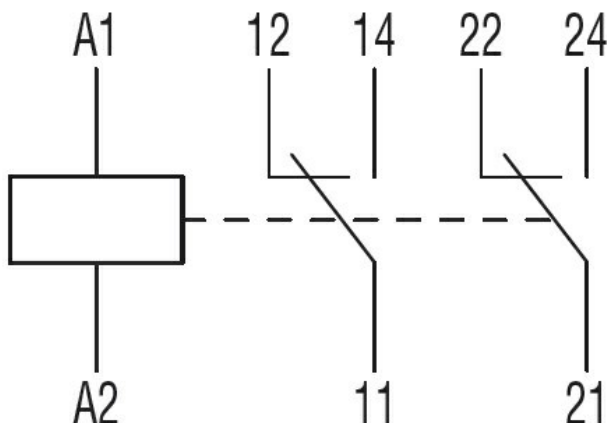
Dimensions



PCB layout



Wiring diagrams



Certifications and compliance

Compliance

IEC/EN 61810

Certificates

CSA

cURus

EAC

VDE

ETIM classification

ETIM 8.0

EC001437 -
Switching relay