

1SNK705710R0000 ✓ ACTIVE

ENTRELEC | ENTRELEC SNK

TE Internal #: 1SNK705710R0000

Modular Terminal Blocks, Component Holder, PI-Spring Terminal Block, Gray, Product Spacing .205 in [5.2 mm], 4 Position, DIN Rail, ENTRELEC SNK

[View on TE.com >](#)



Connectors > Terminal Blocks & Strips > Modular Terminal Blocks



Block Function: **Component Holder**

Modular Terminal Block Product Type: **PI-Spring Terminal Block**

Rated Cross Section: **2.5 mm²**

Primary Product Color: **Gray**

Features

Product Type Features

| | |
|-------------------------------------|--------------------------|
| Modular Terminal Block Product Type | PI-Spring Terminal Block |
|-------------------------------------|--------------------------|

Configuration Features

| | |
|---------------------|------------------|
| Gauge Type | A2 / 2.3 mm Dia. |
| Number of Levels | 1 |
| Number of Circuits | 1 |
| Block Function | Component Holder |
| Number of Positions | 4 |

Electrical Characteristics

| | |
|--|--------|
| Operating Voltage Rating (UL & CSA) (Max) - Main Circuit | 300 V |
| Voltage Rating (CSA) | 300 V |
| Current Rating (CSA) | 1 A |
| Power Loss | .032 W |
| Voltage Rating (IEC) | 630 V |
| Current Rating (UL) | 1 A |
| Current Rating (IEC) | 1 A |

Body Features

| | |
|-----------------------|------------------|
| Product Weight | 10.91 g[.429 oz] |
| Primary Product Color | Gray |

Mechanical Attachment

| | |
|-------------------------|-------------------|
| DIN Rail Mounting Type | TH35-15, TH35-7.5 |
| Connector Mounting Type | DIN Rail |

Housing Features

| | |
|------------------|-----------|
| Housing Material | Polyamide |
|------------------|-----------|

Dimensions

| | |
|---|---------------------------|
| Main Circuit Capacity - 1 Rigid Stranded Conductor per Spring Clamp | .2 – 4 mm ² |
| Main Circuit Capacity - Twin Ferrule per Spring Clamp | .22 – .5 mm ² |
| Wire Stripping Length | 11 mm[.433 in] |
| Main Circuit Capacity - 1 Non-Insulated Ferrule per Spring Clamp | .22 – 2.5 mm ² |
| Main Circuit Capacity - 1 Insulated Ferrule per Spring Clamp | 26 – 14 AWG |
| Main Circuit Capacity - 1 Flexible Conductor per Spring Clamp | .22 – 2.5 mm ² |
| Tool Size | 3.5 mm[.138 in] |
| Product Depth | 42.19 mm |
| Product Length | 42.19 mm[1.741 in] |
| Product Height | 86.1 mm |
| Rated Cross Section | 2.5 mm ² |
| Product Spacing | 5.2 mm[.205 in] |

Usage Conditions

| | |
|--------------------------------|----------------------------|
| Storage Temperature Range | -55 – 110 °C[-67 – 230 °F] |
| Installation Temperature Range | -5 – 40 °C[23 – 104 °F] |
| Operating Temperature Range | -55 – 110 °C[-67 – 230 °F] |

Industry Standards

| | |
|------------------------|----------|
| IP Rating | IP20 |
| UL Flammability Rating | UL 94V-0 |

Product Compliance

[For compliance documentation, visit the product page on TE.com>](#)

| | |
|---|--|
| EU RoHS Directive 2011/65/EU | Compliant |
| EU ELV Directive 2000/53/EC | Compliant |
| China RoHS 2 Directive MIIT Order No 32, 2016 | No Restricted Materials Above Threshold |
| EU REACH Regulation (EC) No. 1907/2006 | Current ECHA Candidate List: JUNE 2022 (224) Candidate List Declared Against: JAN 2021 (211) Does not contain REACH SVHC |
| Halogen Content | Not Yet Reviewed for halogen content |
| Solder Process Capability | Not reviewed for solder process capability |

Product Compliance Disclaimer

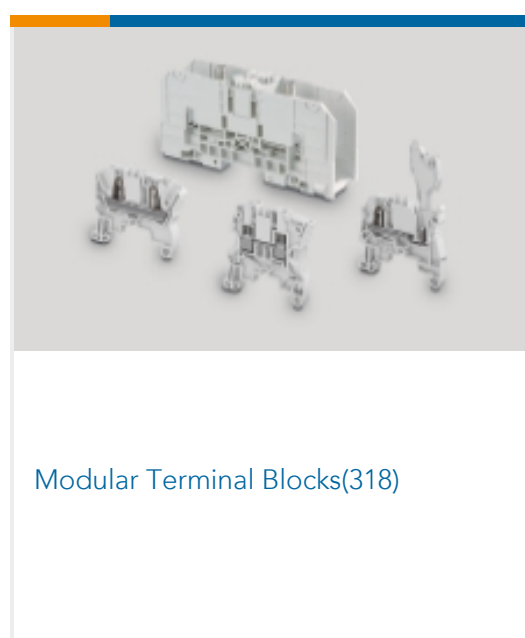
This information is provided based on reasonable inquiry of our suppliers and represents our current actual knowledge based on the information they provided. This information is subject to change. The part numbers that TE has identified as EU RoHS compliant have a maximum concentration of 0.1% by weight in homogenous materials for lead, hexavalent chromium, mercury, PBB, PBDE, DBP, BBP, DEHP, DIBP, and 0.01% for cadmium, or qualify for an exemption to these limits as defined in the Annexes of Directive 2011/65/EU (RoHS2). Finished electrical and electronic equipment products will be CE marked as required by Directive 2011/65/EU. Components may not be CE marked. Additionally, the part numbers that TE has identified as EU ELV compliant have a maximum concentration of 0.1% by weight in homogenous materials for lead, hexavalent chromium, and mercury, and 0.01% for cadmium, or qualify for an exemption to these limits as defined in the Annexes of Directive 2000/53/EC (ELV). Regarding the REACH Regulation, the information TE provides on SVHC in articles for this part number is based on the latest European Chemicals Agency (ECHA) 'Guidance on requirements for substances in articles' posted at this URL: <https://echa.europa.eu/guidance-documents/guidance-on-reach>

Compatible Parts

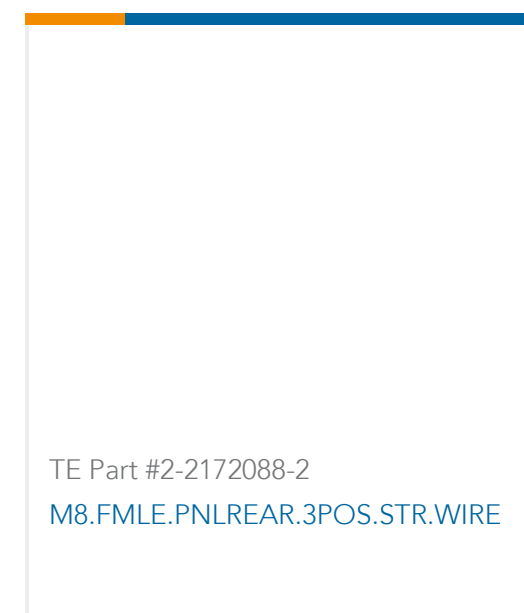
| | | | |
|---|---|---|--|
|  <p>TE Part # 1SNK705913R0000 EK2.5-S-4P</p> |  <p>TE Part # 1SNK900001R0000 BAM4</p> |  <p>TE Part # 1SNK900002R0000 BAZ1</p> |  <p>TE Part # 1SNK900102R0000 BAZH1</p> |
|  <p>TE Part # 1SNK900107R0000 CS-R3</p> |  <p>TE Part # 1SNK900203R0000 TP2</p> |  <p>TE Part # 1SNK900606R0000 LH-J</p> |  <p>TE Part # 1SNK905302R0000 JB5-2</p> |

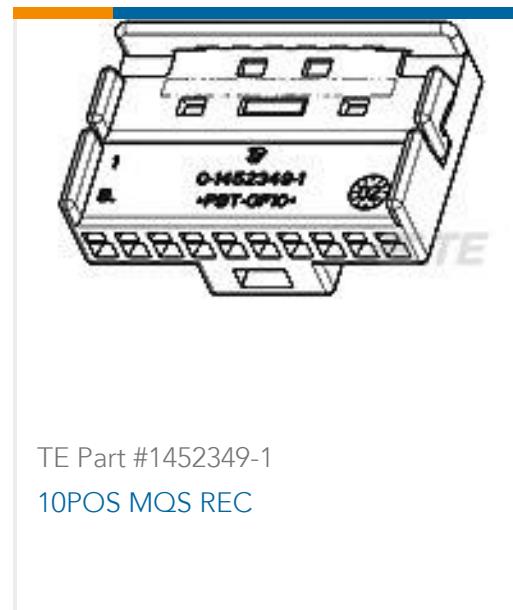


Also in the Series | **ENTRELEC SNK**



Customers Also Bought





Documents

CAD Files

[3D PDF](#)

3D

Customer View Model

[ENG_CVM_CVM_1SNK705710R0000_A.2d_dxf.zip](#)

English

Customer View Model

[ENG_CVM_CVM_1SNK705710R0000_A.3d_igs.zip](#)

English

Customer View Model

[ENG_CVM_CVM_1SNK705710R0000_A.3d_stp.zip](#)

English

By downloading the CAD file I accept and agree to the [Terms and Conditions](#) of use.

Datasheets & Catalog Pages

[ENTRELEC Terminal Block - Master Catalog](#)

English

[ZK2.5-CH-4P-LR](#)

English

[SNK SERIES TERMINAL BLOCKS](#)

English

[ENTRELEC Terminal Blocks Catalogue \(RUS\)](#)

Agency Approvals

[Agency Approval Document](#)

English