

Part number

CHV 32 LG



Hood, C-TYPE series, with 1 lever, Pg36 top cable entry, size "77.62"

Product description

| | |
|---------------------|-----------------------------------|
| Product type | Hood |
| Series | C-TYPE |
| Closing type | With 1 lever |
| Size | Size 77.62 |
| Cable entry | Top cable entry with adapter Pg36 |

Technical data

IP degree of protection IP65 / IP66 / IP69

Further technical details

| | |
|---|----------------|
| Weight | 491,00 g |
| Operating temperature range (min, max) | -40°C...+125°C |

Material properties

| | |
|------------------------------|--|
| Other materials | Lever: Stainless steel, polyamide (PA) Gasket: NBR |
| Colour | RAL 7040 grey |
| RoHs conformity | Compliant with exemption 6(c): copper alloy containing up to 4% lead by weight |
| China RoHs - EFUP | 50 |
| REACH SVHC substances | Yes Lead |
| SCIP number | 15deaf78-e939-4401-a0b0-e2228ca32a03 |
| Approvals / Standards | |
| Certifications | DNV, BV |
| UL | ECBT2 |
| cUL | ECBT8 |

General ordering information

EAN13 code 8015747025003

Packaging Information

| | |
|----------------------------------|-------------------|
| Sub-packaging weight | 0,49 kg |
| Sub-packaging description | Plastic packaging |
| Sub-packaging quantity | 1 Pcs |
| Sub-packaging EAN barcode | 8015747025010 |

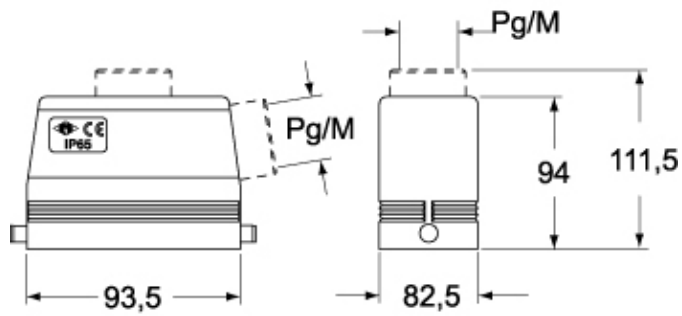
Part number

CHV 32 LG

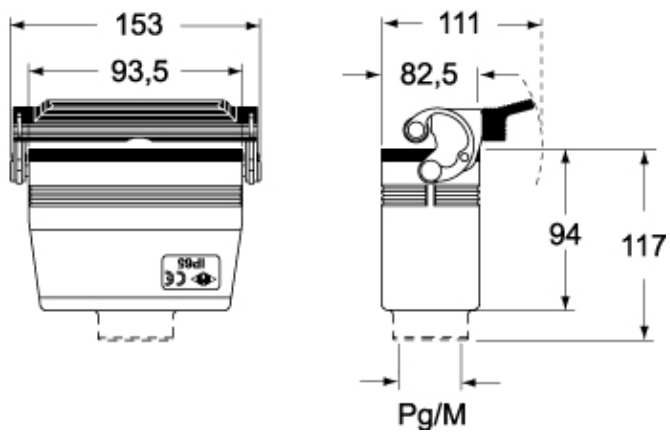


Catalogue drawings

CHO L - CHV L MHO/MFO/MFV L - MHV L



CHV LG - MHV LG - MFV LG



Notes

Dimensions shown in mm are not binding and may be changed without notice.