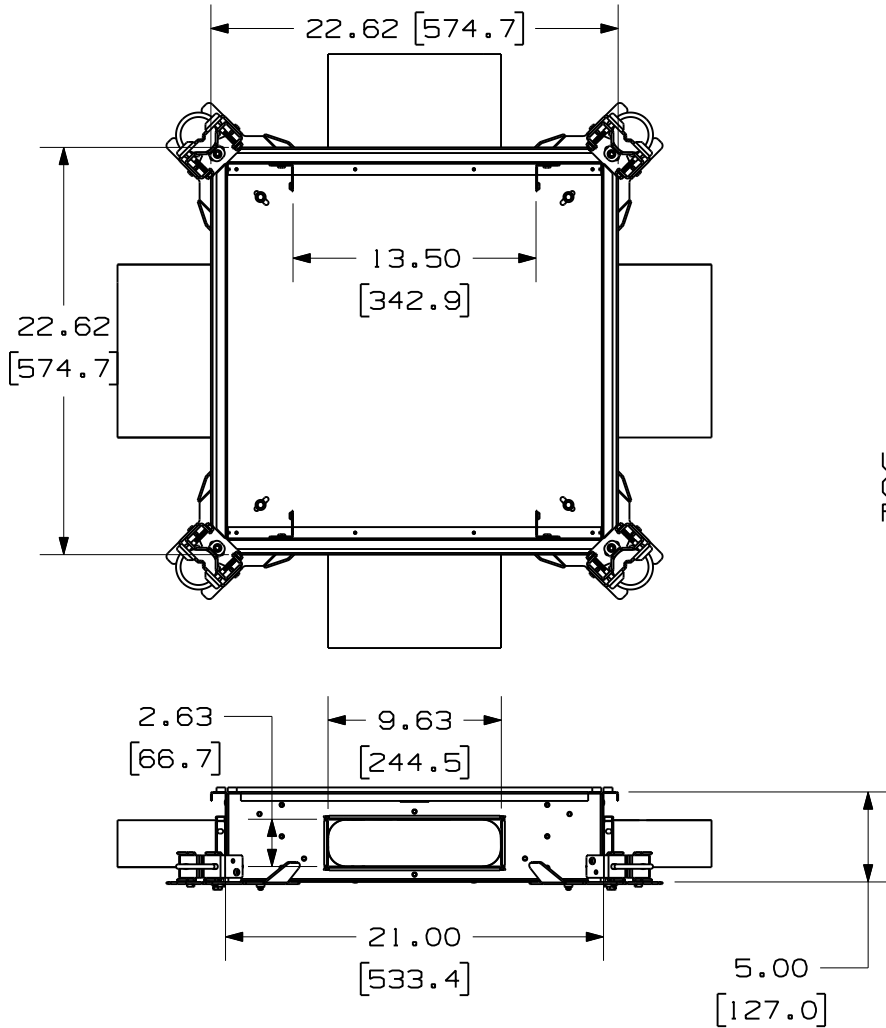
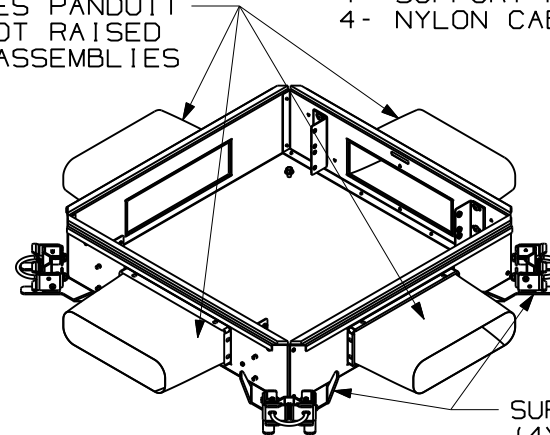


THIS COPY IS PROVIDED ON A RESTRICTED BASIS AND IS NOT TO BE USED IN ANY WAY DETRIMENTAL TO THE INTERESTS OF PANDUIT CORP.



UTILIZES PANDUIT
 COOLBOOT RAISED
 FLOOR ASSEMBLIES



SUPPORT MOUNT BRACKETS
 (4X) ATTACH TO THE
 RAISED FLOOR PEDESTALS

PANDUIT P/N	WEIGHT
PZRFE4U	11.4 LB/EACH PC (5.18 kg/EACH PC)

NOTES:

- SEE CURRENT CATALOG FOR ADDITIONAL PART NUMBER SUFFIXES TO INDICATE COLOR AND OR PACKAGE QUANTITY.
- SEE CATALOG FOR COMPLETE LIST OF PARTS APPLICABLE FOR USE WITH THIS PART.
- DIMENSIONS IN PARENTHESES ARE IN METRIC.
- PART INCLUDES:
 - 1- ENCLOSURE
 - 4- SUPPORT MOUNTING BRACKETS
 - 4- NYLON CABLE SLEEVE ASSEMBLIES

MODEL FILENAME	V10560AL/01
CAD FILENAME/LAYERS	V10560AL_DC/01A

PANDUIT CORP. TINLEY PARK, ILLINOIS

PANZONE RAISED FLOOR ENCLOSURE
 4 RACK SPACES (PZRFE4U)
 CUSTOMER DRAWING

UNLESS OTHERWISE SPECIFIED,
 DIMENSIONAL TOLERANCES ARE:
 (.X) ± (.XXX) ±.010(.3)
 (.XX) ±.03(.8) ANGLES ±

UNLESS OTHERWISE SPECIFIED,
 ALL DIMENSIONS ARE GIVEN
 IN INCHES, THIRD ANGLE PROJECTION.

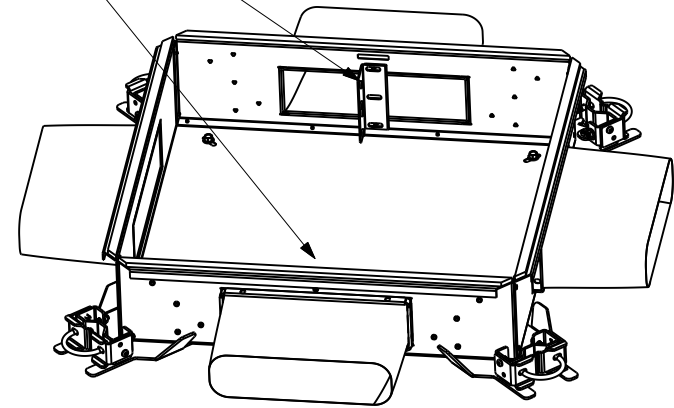
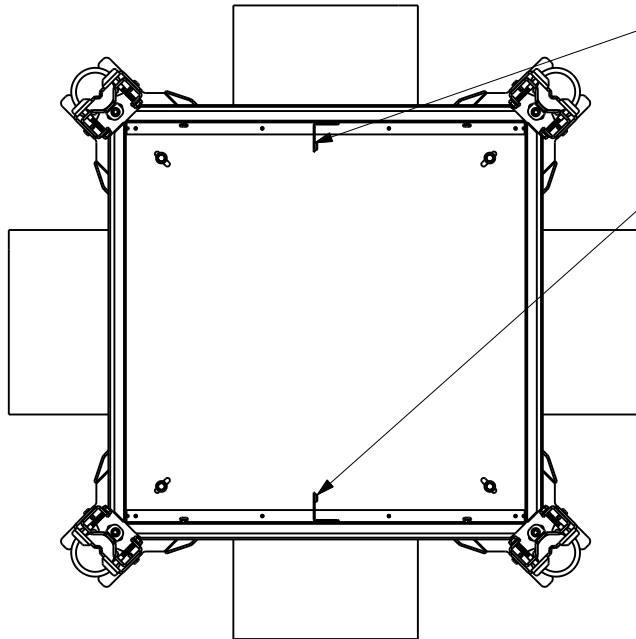
DRAWN BY JECR	MAT'L:	SCALE NONE
DATE 8-27-10		DRAWING NO. V10560AL-DC
CHECKED BY		SHEET 1 OF 2
		DWG A SIZE

REV	DATE	BY	CHK	DESCRIPTION	ECN	CHK	CUST	SUP
O1A	8-27-10	JECR		RELEASED TO PRODUCTION	V10560AL-DC			

THIS COPY IS PROVIDED ON A RESTRICTED BASIS AND IS NOT TO BE USED IN ANY WAY DETRIMENTAL TO THE INTERESTS OF PANDUIT CORP.

PRETERMINATED CONFIGURATION
 ALLOWS ADDITIONAL SPACE BEHIND
 PATCH PANELS FOR COPPER AND/OR
 FIBER CASSETTES

MOUNTING BRACKETS MOVED TO CENTER OF THE
 ENCLOSURE FOR ADDITIONAL COPPER AND FIBER
 CASSETTE DEPTH REQUIREMENT



2 RACK SPACE
 CONFIGURATION

MODEL FILENAME	V10560AL/01
CAD FILENAME/LAYERS	V10560AL_DC/01A

PANDUIT CORP. TINLEY PARK, ILLINOIS
 PANZONE RAISED FLOOR ENCLOSURE
 4 RACK SPACES (PZRFE4U)
 CUSTOMER DRAWING

UNLESS OTHERWISE SPECIFIED, DIMENSIONAL TOLERANCES ARE: (.X) ± (.XXX) ±.010(.3) (.XX) ±.03(.8) ANGLES ±	UNLESS OTHERWISE SPECIFIED, ALL DIMENSIONS ARE GIVEN IN INCHES, THIRD ANGLE PROJECTION.
--	---

DRAWN BY JECR	MAT'L:	SCALE NONE
DATE 8-27-10		DRAWING NO. V10560AL-DC
CHECKED BY		SHEET 2 OF 2

REV	DATE	BY	CHK	DESCRIPTION	ECN	CHK	CUST	SUP
O1A	8-27-10	JECR		SEE SHEET 1 FOR REVISIONS	V10560AL-DC			

DWG
A
 SIZE