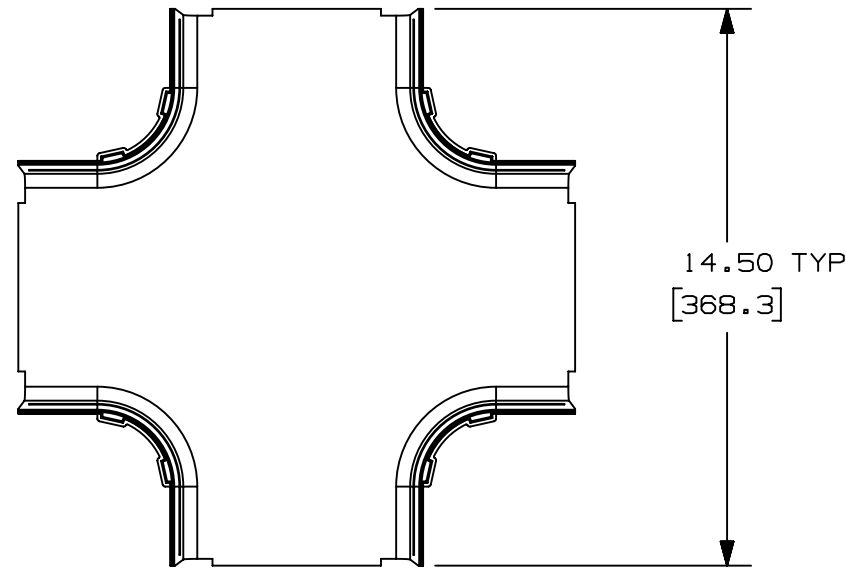


2

1

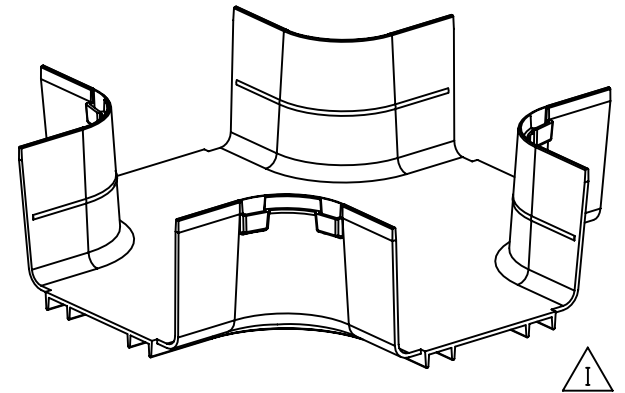
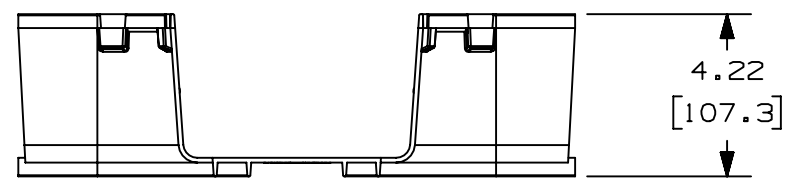
THIS COPY IS PROVIDED ON A RESTRICTED BASIS AND IS NOT TO BE USED IN ANY WAY DETRIMENTAL TO THE INTERESTS OF PANDUIT CORP.



PANDUIT PART NUMBER	WEIGHT	MATERIAL
FRFWC6X4**	1.4 LB/EACH (635g/EACH)	ABS
FRFWC6X4L**	1.4 LB/EACH (635g/EACH)	PC/ABS

NOTES:

1. SEE CURRENT CATALOG FOR ADDITIONAL PART SUFFIXES TO INDICATE COLOR AND/OR PACKAGE QUANTITY.
2. THE FIBERRUNNER 6x4 FOUR-WAY CROSS FITTING IS DESIGNED WITH A MINIMUM 2" (50.8) BEND RADIUS TO PROTECT FIBER OPTIC CABLES.
3. DIMENSIONS IN PARENTHESES ARE IN METRIC.



B

B

A

A

REV	DATE	BY	CHK	APR	DESCRIPTION	ECN
04A	1-16-20	MES	DWR	DWR	J. ADDED FRFWC6X4L** PART NUMBER	V09002DZ/01
3	05-09-13	JBN	RTFI	RN	I. UPDATED DRAWING BORDER & TITLE BLOCK	37185-73

TITLE FIBERRUNNER 6X4 FOUR-WAY CROSS FITTING FRFWC6X4**, FRFWC6X4L**		
CUSTOMER DRAWING		
ITEM REVISION NAME D37185FA/01	DATASET FILE NAME D37185FA_DC/04A	
UNLESS OTHERWISE SPECIFIED, DIMENSIONAL TOLERANCES ARE: IN [mm]		MATERIAL: SEE PART NUMBER TABLE ABOVE
.X ± .XX ± .03 [.8]	.XXX ± ANGLES ±	DRAWING NUMBER: 37185-73
		THIRD ANGLE PROJECTION
DRAWN BY REWE	DATE 05-05-00	CHK SMF
SCALE NONE		SIZE A
SHT 1 OF 1		

2

1

D10100DA/15