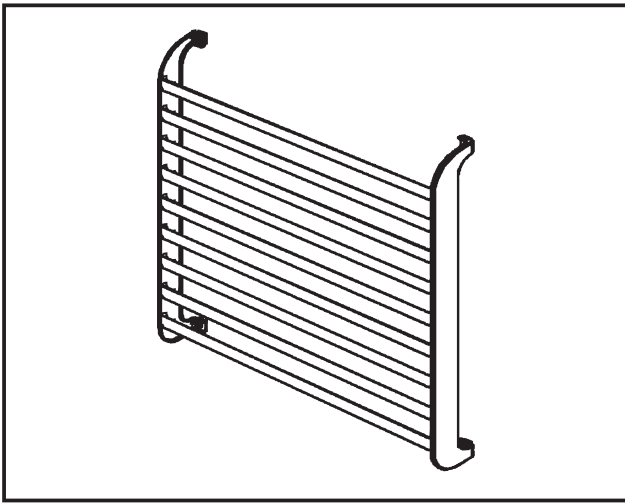


Figure



Descriptions

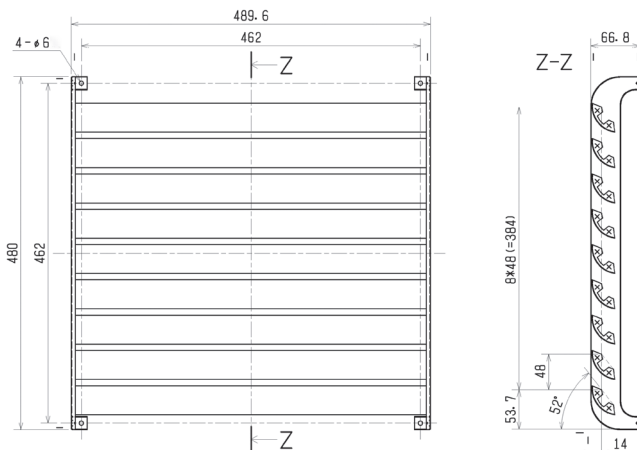
The air outlet guide changes the direction of air from the outdoor unit and prevents short cycling.

Applicable Models

- MUZ-LN25VG ■ MUY-TP35VF ■ MXZ-2D33VA
- MUZ-LN25VGHZ ■ MUY-TP50VF ■ MXZ-2D42VA2
- MUZ-LN35VG ■ MUZ-FH25VE ■ MXZ-2D53VA2
- MUZ-LN35VGHZ ■ MUZ-FH25VEHZ ■ MXZ-2D53VAH2
- MUZ-FT25VGHZ ■ MUZ-FH35VE ■ MXZ-2DM40VA
- MUZ-AP20VG ■ MUZ-FH35VEHZ ■ MXZ-2F33VF3
- MUZ-AP25VG(H) ■ MUZ-SF25VE ■ MXZ-2F42VF3
- MUZ-AP35VG(H) ■ MUZ-SF25VEH ■ MXZ-2F53VF3
- MUZ-AP42VG(H) ■ MUZ-SF35VE ■ MXZ-2F53VFH3
- MUZ-EF25VG ■ MUZ-SF35VEH ■ MXZ-2HA40VF
- MUZ-EF25VGH ■ MUZ-SF42VE ■ MXZ-2HA50VF
- MUZ-EF35VG ■ MUZ-SF42VEH
- MUZ-EF35VGH ■ MUZ-HJ50VA
- MUZ-EF42VG ■ MUFZ-KW25VGHZ
- MUZ-BT50VG ■ MUFZ-KW35VGHZ
- MUZ-HR42VF ■ SUZ-M25VA
- MUZ-HR50VF ■ SUZ-M35VA
- MUZ-DW50VF ■ SUZ-KA25VA6
- SUZ-KA35VA6

Dimensions

Unit: mm



Specifications

Exterior	Color (Munsell)	Ivory (3.0Y 7.8/1.1)
	Surface treatment	Polystel powder coating
	Material	Electro-galvanized steel sheet
Weight	1.6 kg	

Components

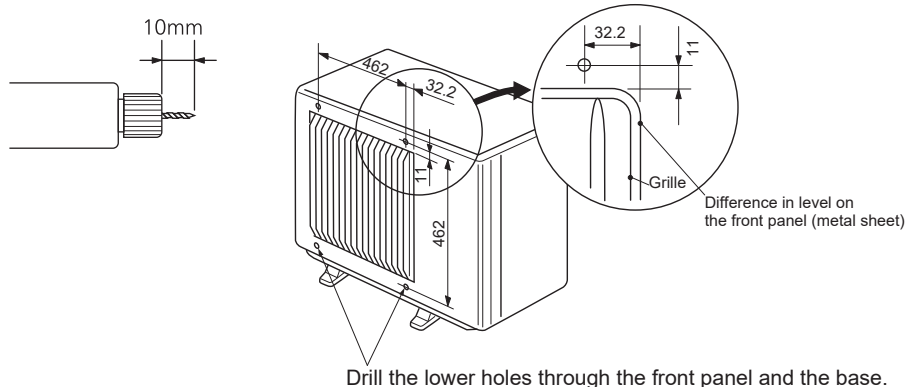
① Air outlet guide x1	② Screw M5 x 10 x 4

How to Use / How to Install

1. Preparations

For 800(W) x 550(H) x 285(D) outdoor units

- Remove the front panel from the outdoor unit.
- Drill $\varnothing 4.0$ mm screw holes in the front panel at the 4 locations shown below.
- The length of the drill bit should be about 10 mm as shown in the figure below. If the drill bit is too long, it may damage the parts inside the outdoor unit.



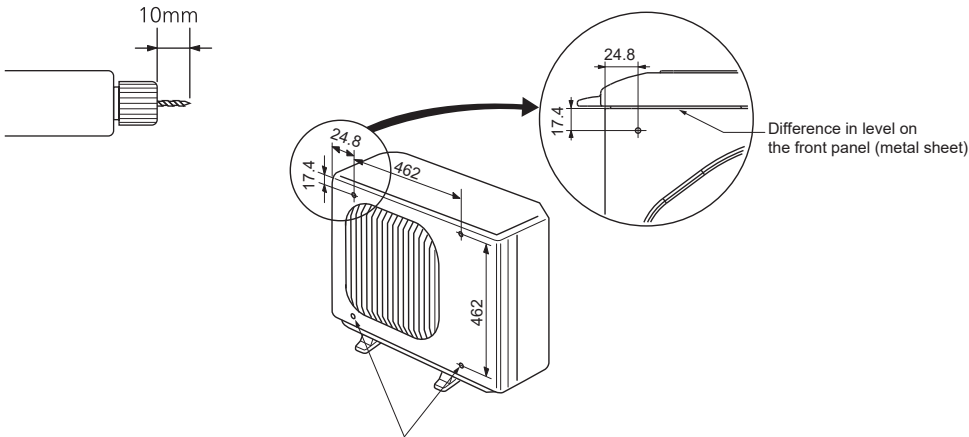
Drill the lower holes through the front panel and the base.

OPTIONAL PARTS

OUTDOOR UNIT

For 684(W) x 540(H) x 255(D) outdoor units

- Remove the front panel from the outdoor unit.
- Drill $\varnothing 4.0$ mm screw holes in the front panel at the 4 locations shown below.
- The length of the drill bit should be about 10 mm as shown in the figure below. If the drill bit is too long, it may damage the parts inside the outdoor unit.



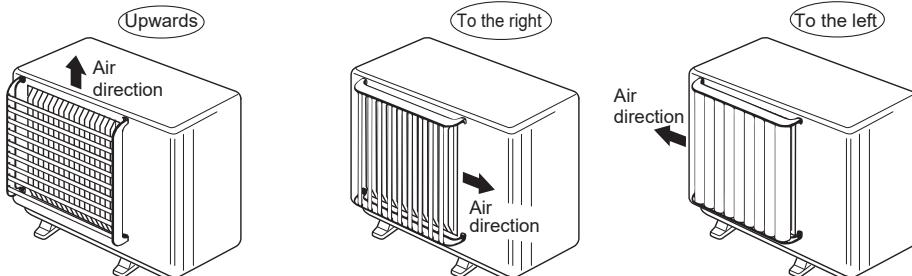
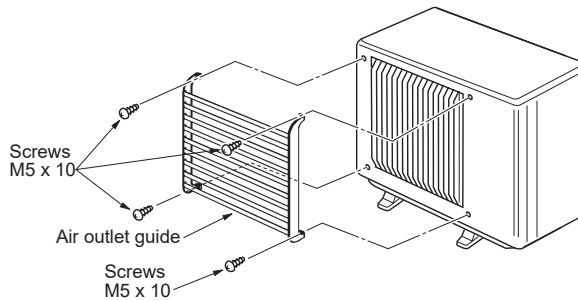
Drill the lower holes through the front panel and the base.

2. Attaching the air outlet guide

- Attach the air outlet guide to the outdoor unit with the 4 screws provided with the air outlet guide.
- The air outlet guide is allowed to be installed in any of the following directions so that air blows upwards, to the left, or to the right.
- * Do not install the air outlet guide in the downward direction, or it may cause short cycling.

Note: Tighten the screws securely.

A chattering sound could be produced due to vibration if the screws are loose.



OPTIONAL
PARTS

OUTDOOR UNIT